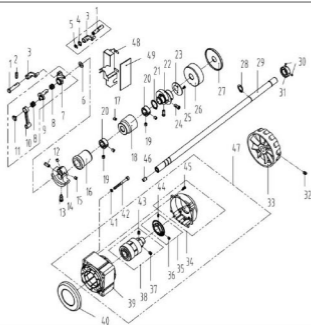


1. 机壳、外装部件/Machine Frame & Miscellaneous Cover Components

序号 NO	公司件号 Part NO	名称 PartName	零件描述 Description	数量 Number
1	101511001	后窗板螺钉SM3/16"×28 L=9	Screw SM3/16"×28 L=9	14
2	10122003	面板调节孔橡胶塞	Rubber plug	2
3	115037001	商标牌	Head card	1
4	930000262	面板(喷漆)	Face plate asm	1
5	13813005	左线钩	Thread guide left	1
6	101511007	右线钩螺钉SM11/64"×40 L=6	Screw SMT1/64"×40 L=6	1
7	115022002	面板垫	Face plate gasket	1
8	101511027	防油板螺钉SM1/8"×44 L=3.4	Screw SM1/8"×44 L=3.4	1
9	113812019	面部防油板	Face oil shield asm	1
10	11412082	面部防油板(厚料)	Face oil shield asm (H)	1
11	11503000100	倒缝开关组件(三开关)(磅重)	Three switch components (O)	1
12	11503002900	倒缝开关组件(三开关)	Three switch components	1
13	101511004	挑线杆护套螺钉SM3/16"×28 L=7	Screw SM3/16"×28 L=7	2
14	13812018	挑线杆防护罩	Thread take-up lever cover	1
15	10122004	针杆曲柄螺孔塞	Rubber plug	1
16	10122005	挑线连杆销螺孔塞	Rubber plug	1
17	101511004	挑线杆护套螺钉SM3/16"×28 L=7	Screw SM3/16"×28 L=7	1
18	13512004	三孔线钩	3-hole thread guide	1
19	10122005	挑线连杆销螺孔塞	Rubber plug	1
20	114511015	割线刀螺钉SM9/64"×40 L=6	Screw SM9/64"×40 L=6	2
21	11419001	割线刀	Knife	1
22	138505001	操作面板螺钉M3 L=12	Screw M3 L=12	2
23	13822001	操作屏孔塞	Rubber plug	2
24	20722002	油塞	Rubber plug	1
25	115022001	后窗板垫	Side plate gasket	1
26	930000263	后窗板(喷漆)	Side plate	1
27	11503004400	一体机电控组件(磅重)	Electronic control asm (Q)	1
28	11503005600	一体机电控组件(舱盖)	Electronic control asm (Power Max)	1
29	W01009	GB/T97.1-1985垫圈5 (磅重)	Washer 5(Q)	2
30	W01009	GB/T97.1-1985垫圈5 (舱盖)	Washer 5(Power Max)	3
31	114513001	螺栓(内六角)M5×20	Screw M5×20	5
32	114513001	螺栓(内六角)M5×20	Screw M5×20	3
33	114513001	螺栓(内六角)M5×20(舱盖)	Screw M5×20(Power Max)	1
34	11503004500	一体机电控面板组件(磅重)	Control panel (Q)	1
35	11503004900	一体机电控面板组件(舱盖)	Control panel(Power Max)	1
36	13810008	小夹线器螺母	Thread tension post	1
37	13812066	过线板	Thread tension guide plate	1
38	14112017	小夹线板	Thread tension disk	2
39	11227001	小夹线弹簧	Thread tension spring	1
40	141516019	小夹线器螺母	Thread tension nut	1
41	1411300400	小夹线器组件	Thread tension asm	1
42	138508006	小夹线器固定螺钉SM3/16"×28 L=7	Screw SM3/16"×28 L=7	1
43	11326012	松线钉	Tension release pin	1
44	10126002	松线钉(厚料)	Tension release pin (H)	1
45	101515005	夹线器固定螺钉SM9/64"×40 L=5.5	Screw SM9/64"×40 L=5.5	1
46	10122014	挑线簧调节座O型圈	Rubber ring	1
47	10103011	挑线簧调节座	Thread tension base	1
48	10127001	挑线簧	Thread take-up spring	1
49	10127031	挑线簧(厚料)	Thread take-up spring (H)	1
50	141530001	夹线螺钉	Thread tension post	1
51	14112015	夹线板	Thread tension disk	2
52	14112016	松线板	Disk stopper	1
53	10127002	夹线弹簧	Thread tension spring A	1
54	11427050	夹线弹簧(厚料)	Thread tension spring A (H)	1
55	10112007	夹线制动板	Thread disk rotating stopper	1
56	141516013	夹线螺母	Thread tension nut	1
57	1411300300	夹线器组件	Thread tension asm	1
58	1411300500	夹线器组件(厚料)	Thread tension asm (H)	1
59	11493000300	电子夹线器组件	Nest less e-device	1
60	207514007	螺钉M4 L=6	Screw M4 L=6	1
61	101512001	底板支柱	Machine head stud	4
62	101511019	推板簧螺钉SM3/32"×56 L=2	Screw SM3/32"×56 L=2	2
63	10127009	推板簧	Slide plate spring	1
64	10115002	推板	Slide plate	1
65	13815011	针板	Needle plate	1
66	11315001	针板(厚料)	Needle plate (H)	1
67	10815001	针板(-7)	Needle plate (-7)	1
68	13615003	针板(-L)	Needle plate (-L)	1
69	104517002	针板螺钉SM11/64"×40 L=6.5	Screw SMT1/64"×40 L=6.5	2
70	13812111	卷边器座	Ruler stop seat	1
71	101511002	卷边器座螺钉SM11/64"×40 L=5.5	Screw SMT1/64"×40 L=5.5	1
72	11413011	固定式线钩	Thread guide	1
73	401516001	螺母SM9/64"×40	Nut SM9/64"×40	1
74	101515010	左销螺钉SM15/64"×28 L=10.5	Screw SMT15/64"×28 L=10.5	1
75	10113004	右线钩	Thread guide right	1
76	101511007	右线钩螺钉SM11/64"×40 L=6	Screw SMT1/64"×40 L=6	1
77	10122110	橡皮塞(单孔)	Rubber plug	1
78	13822028	橡皮塞(二孔)(-4)	Rubber plug(-4)	1
79	11503004700	一体机电控罩壳(舱盖)	Servo motor box(Power Max)	1
80	115026002	电控罩壳销	Pin	1
81	138530007	侧盖螺钉	Screw	1
82	H05002	GB/T896-1986卡簧3	Snap ring 3	1
83	S04010	GB/T65-1985螺钉M4 L=5.5	Screw M4 L=5.5	1
84	13812109	侧盖固定板	Fixed plate	1
85	101511026	油泵安装螺钉SM15/64"×28 L=9	Screw SMT15/64"×28 L=9	1
86	113811004	尼龙扎带	Cable band	5
87	W02004	垫片	Washer	2
88	10122007	孔塞	Rubber plug	1

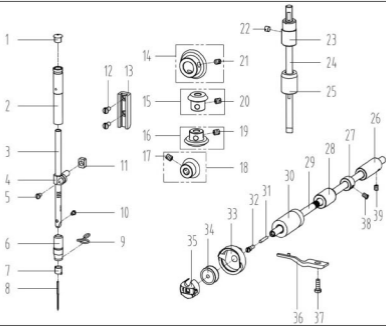
2



## 2. 上轴、挑线部件 / Main Shaft &amp; Thread Take-up Components

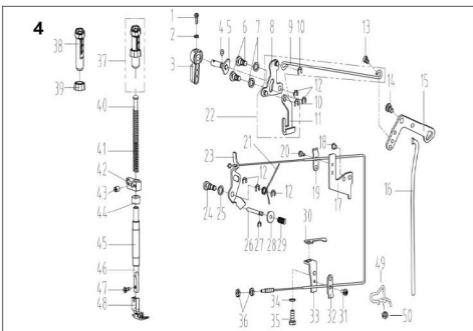
序号 NO	公司件号 Part NO	名称 PartName	零件描述 Description	数量 Number
1	10126001	挑线连杆销	Thread take-up connecting rod pin	1
	11326013	挑线连杆销(H-M)	Thread take-up connecting rod pin (H-M)	1
2	101515001	上轴螺钉SM15/64*x28 L=15	Screw SM15/64*x28 L=15	1
3	11305010	挑线连杆	Thread take-up connecting rod	1
	10105001	挑线连杆(厚料)	Thread take-up connecting rod (H)	1
4	11328010	垫片(H-M)	washer(H-M)	1
5	H05013	GB/T 896-1986挡圈6(H-M)	Snap ring 6 (H-M)	1
6	10112003	针杆曲柄护板	Needle bar crank protecting plate	1
7	1013800100	挑线杆分组件	Thread take-up lever asm	1
	1133800200	挑线杆分组件(厚料)	Thread take-up lever asm (H)	1
8	10124001	挑线杆滚针轴承	Needle bearing	2
	1011000100	挑线曲柄分部件	Thread take-up crank	1
	1011000400	挑线曲柄分部件(厚料)	Thread take-up crank (H)	1
	11310010	挑线曲柄(H-M)	Thread take-up crank (H-M)	1
10	10105002	针杆连杆	Needle bar connecting rod	1
11	101517001	挑线曲柄螺钉SM9/64*x40 (左旋) L=4.8	Screw SM9/64*x40 (left hand) L=4.8	1
12	101515004	针杆曲柄紧固螺钉SM9/32*x28 L=16	Screw SM9/32*x28 L=16	1
13	101511003	针杆曲柄定位螺钉SM9/32*x28 L=16	Screw SM9/32*x28 L=16	1
	10404001	针杆曲柄	Needle bar crank	1
	11404035	针杆曲柄(厚料)	Needle bar crank (H)	1
	11310010	针杆曲柄(H-M)	Needle bar crank (H-M)	1
15	101515002	送料轴挡圈螺钉SM1/4*x40 L=6	Screw SM1/4*x40 L=6	2
16	1140300200	上轴前轴套组件	Main shaft bushing front	1
17	101515006	尖线轴螺钉SM15/64*x28 L=7	Screw SM15/64*x28 L=7	1
18	12203002	主轴中轴套	Main shaft bushing mid	1
19	101514001	上轴中套挡圈螺钉SM1/4*x40 L=6	Screw SM1/4*x40 L=6	4
20	10108001	上轴挡圈	Main shaft thrust collar	2
21	H03002	挡圈20	Snap ring 20	1
	400092	送料偏心轮	Feed eccentric cam	1
	400811	送料偏心轮(厚料, -HL)	Feed eccentric cam (H, -HL)	1
	400006	送料偏心轮(H-M, -7)	Feed eccentric cam (H-M, -7)	1
23	10112017	送料偏心轮盖板	Cover plate	1
	10812002	送料偏心轮盖板(厚料, -HL)	Cover plate (H, -HL)	1
24	101511013	送料偏心轮螺钉SM1/4*x40 L=13	Screw SM1/4*x40 L=13	2
	207511018	螺钉5x10(进口)	Screw M5 L=10	2
25	113511003	护针片螺钉SM9/64*x40 L=5	Screw SM9/64*x40 L=5	2
26	13803002	上轴后轴套	The rear axle sleeve	1
27	10122105	上轴后套挡油油封	Oil seal	1
28	H03001	GB/T894.1-1986挡圈15	Snap ring 15	1
29	115002001	上轴	Main shaft	1
30	S10026	GB/T80-1985螺钉M3 L=3	Screw M3 L=3	2
31	115008001	电机防尘套	Motor dust jacket	1
32	S10009	螺钉M6 L=8	Screw M6 L=8	2
	302830	手轮(喷漆)	Handwheel	1
33	930000155	手轮 (A4E-M)	Handwheel (A4E-M)	1
34	195100073	电机罩壳组件(配罩)	Motor cover asm (Q)	1
35	95100117	电机光栅组件(配罩)	Motor grating sensor asm (Q)	1
36	S09022	内六角平端紧定螺钉M3 L=4	Screw M3 L=4	1
37	S09113	内六角平端紧定螺钉M6 L=6	Screw M6 L=6	1
38	95100182	电机转子总成	Motor rotor	1
39	95100171	电机定子总成	Motor stator	1
40	13811060	电机绝缘防护罩	Motor insulation shield	1
41	W02058	GB 93-1987弹簧d5	Spring washer 5	3
42	S05901	内六角圆柱头螺钉M5 L=50	Screw M5 L=50	3
43	S09113	内六角平端紧定螺钉M6 L=6	Screw M6 L=6	1
44	S09022	内六角平端紧定螺钉M3 L=4	Screw M3 L=4	1
45	951515011	一字槽小盘头螺钉组合件M3 L=12	Screw M3 L=12	5
46	10122012	上轴孔塞	Rubber plug	1
	115033007	光电伺服电机(鸣星)	Motor (Q)	1
	113833087	光电伺服电机(鸣麦)	Motor(Power Max)	1
48	14112004	防油罩	Oil shield	1
49	14123001	防油罩油棉	Oil cotton	1

3



### 3. 针杆、竖轴、下轴部件/Needle bar & Upright Shaft & Hook Driving Shaft Components

序号 NO	公司件号 Part NO	名称 PartName	零件描述 Description	数量 Number
1	10122013	针杆上衬套孔塞	Rubber plug	1
2	14103009	针杆上衬套	Needle bar bushing upper	1
	10103009	针杆上衬套(厚料)	Needle bar bushing upper (H)	1
3	11402039	针杆	Needle bar	1
	10102021	针杆(厚料)	Needle bar (H)	1
4	10138002	针杆连接柱	Needle bar connecting rod	1
5	101511005	螺钉SM9/64"x40 L=6	Screw SM9/64"x40 L=6	1
6	10103010	针杆下衬套	Needle bar bushing lower	1
	11303023	针杆下衬套(厚料)	Needle bar bushing lower (H)	1
7	10113002	针杆线导	Needle bar thread guide	1
	11412063	针杆线导(厚料)	Needle bar thread guide (H)	1
8	10117001	机针D#x1 #14	Needle D#x1 #14	1
	10117002	机针DPx5 #21(厚料)	Needle DPx5 #21 (H)	1
9	10413001	针杆下衬套线导	Lower bushing thread guide	1
	10113009	针杆下衬套线导(厚料)	Lower bushing thread guide (H)	1
10	104511006	支针螺钉SM1/8"x44 L=4.5	Screw SM1/8"x44 L=4.5	1
11	10109001	针杆连接柱滑块	Slide block	1
12	101511008	滑块导轨螺钉SM11/64"x40 L=8	Screw SM11/64"x40 L=8	2
13	10109002	针杆接头滑块导轨	Needle bar guide	1
14	10425004	上轴伞齿轮	Upper shaft bevel gear	1
15	10425003	竖轴上伞齿轮	Upper small bevel gear asm	1
16	10425002	竖轴下伞齿轮	lower large bevel gear asm	1
17	101515014	齿轮螺钉SM1/4"x40 L=7	Screw SM1/4"x40 L=7	2
18	10425001	下轴伞齿轮	Hook drive shaft bevel gear	1
19	101515014	齿轮螺钉SM1/4"x40 L=7	Screw SM1/4"x40 L=7	2
20	101515014	齿轮螺钉SM1/4"x40 L=7	Screw SM1/4"x40 L=7	2
21	101515014	齿轮螺钉SM1/4"x40 L=7	Screw SM1/4"x40 L=7	2
22	113511036	一字开槽固定螺钉SM15/64"x28 L=4.7	Screw SM15/64"x28 L=4.7	1
23	10403020	竖轴上轴套	Upright shaft bushing upper	1
24	10102007	竖轴	Upright shaft	1
25	10403013	竖轴下轴套	Upright shaft bushing lower	1
26	10403019	下轴后轴套	Hook driving shaft bushing back	1
27	10108002	下轴挡圈	Hook driving shaft snap ring	1
28	113803006	下轴中套	Lower shaft middle bushing	1
29	13802061	下轴	Hook driving shaft	1
30	11303001	下轴前轴套	Hook driving shaft bushing front	1
31	13823001	下轴限油芯	Oil wick	1
32	101530005	下轴限油螺钉	set screw	1
	11418003	广濶中厚料旋梭	Hook asm (Hirose)	1
	11418004	广濶厚料旋梭(厚料)	Hook asm (Hirose) (H)	1
	11418007	精品旋梭(国产)	Hook asm (China)	1
33	11418002	德盛有尾巴厚料旋梭(方德款)	Hook asm (China Desheng) (H)	1
	13618003	旋梭(-L)	Hook asm (-L)	1
	115018001	精品旋梭(D)	Hook asm (D)	1
	13818001	旋梭(-P)	Hook asm (-P)	1
	10118003	梭心	Bobbin	1
34	10818501	梭心(大)	Bobbin (-L)	1
	13818002	梭心(-P)	Bobbin (-P)	1
	11218504	梭壳	Bobbin case asm	1
35	13618001	梭壳(-L)	Bobbin case asm (-L)	1
	13818003	梭壳(-P)	Bobbin case asm (-P)	1
36	10112016	旋梭定位销	Finger positioner	1
	10112032	旋梭定位销(厚料)	Finger positioner (H)	1
37	116511005	牙架曲柄螺钉SM11/64"x40 L=13	Screw SM11/64"x40 L=13	1
38	101511012	下轴挡圈螺钉SM11/64"x40 L=4.8	Screw SM11/64"x40 L=4.8	2
39	113514020	下轴后套螺钉SM11/64"x40 L=6	Screw SM11/64"x40 L=6	1



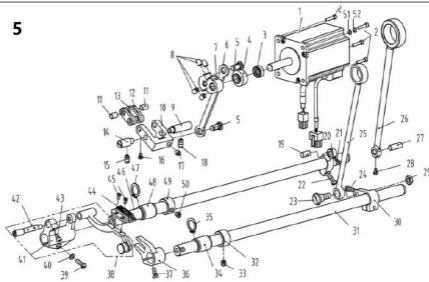
### 4. 压料、自动抬压脚部件/Presser Bar & Auto Lifter Components (1)

序号 NO	公司件号 Part NO	名称 PartName	零件描述 Description	数量 Number
1	101511010	压脚扳手螺钉SM9/64"x40 L=11	Screw SM9/64"x40 L=11	1
2	10128002	压脚扳手螺钉垫圈	Washer	1
3	13811029	压脚扳手	Hand lifter	1
4	001004	O型圈	Rubber ring	1
5	1381000200	压脚扳手凸轮分部件	Hand lifter cam asm.	1
6	101520001	前杠杆螺钉	Screw	2
7	10128015	螺钉销橡胶垫圈(厚)	Washer	2
8	1381203000	抬压脚前杠杆分部件	Lift front lever component	1
9	10112013	抬压脚拉杆	Knee lifter pull rod	1
10	H05003	开口挡圈 5	Snap ring 5	2
11	10112010	压脚升降板	Lifting plate	1
12	11329020	开口挡圈 5	Snap ring 5	5
13	101520004	抬压脚拉杆螺钉SM3/16"x32	Hinge Screw SM3/16"x32	1
14	101520003	后杠杆轴轴螺钉SM15/64"x28	Hinge screw SM15/64"x28	1
15	12812033	抬压脚后杠杆	Knee lifter back lever	1
16	13812028	抬压脚连杆	Knee lifter connecting rod	1
17	11212009	松线导管上支架	Wire release bracket upper	1
18	101511004	油管压板螺钉SM3/16"x28 L=7	Screw SM3/16"x28 L=7	1
19	11212008	松线导管压板	Wire release press plate	1
20	113511004	松线导管压板螺钉M4 L=8	Screw M4 L=8	1
21	11427009	松线导管复位簧	Reset spring	1
22	1381203200	抬压脚前杠杆组件	Knee lifter lever asm	1
	1141206000	松线压板组件	Wire release plate asm	1
23	11381201100	松线压板组件(-4)	Wire release plate asm(-4)	1
24	101520002	松线压板螺钉	Wire release plate pin	1
25	10128015	螺钉销橡胶垫圈(厚)	Washer	1
26	10126003	松线辅助钉	Thread release supporting pin	1
27	H05012	开口挡圈 4	Snap ring 4	1
28	10128001	松线辅助钉垫片	washer	1
29	10127003	松线辅助钉弹簧	Spring	1
30	10112022	旋梭供油管压板	Tube press plate	1
31	113511004	松线导管压板螺钉M4 LL=8	Screw M4 L=8	1
32	11212008	松线导管压板	Wire presser	1
33	115012003	松线导管下支架	Wire release bracket lower	1
34	W02004	弹性垫圈	Spring washer	1
35	116530003	抬牙叉固定螺钉SM15/64"x28 L=14.5	Screw SM15/64"x28 L=14.5	1
36	113512001	螺母SM3/16"x32	Nut SM3/16"x32	2
37	11381101800	调压螺钉组件	Presser regulating screw nut asm	1
38	1138N530003	调压螺钉(厚料)	Press regulating screw (H)	1
39	1138N516005	调压螺母(厚料)	Press regulating nut (H)	1

#### 4. 压料、自动抬压脚部件/Presser Bar & Auto Lifter Components (2)

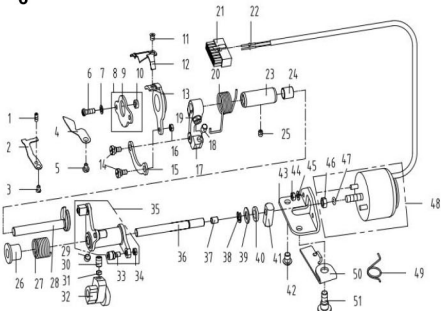
40	10102003	调压导杆	Press regulating guide bar	1
	113827010	调压簧	Press regulating spring	1
41	10127024	调压簧(厚料)	Press regulating spring (H)	1
	11427033	调压簧 (H-M)	Press regulating (H-M)	1
42	13809030	压杆导架	Presser bar guide bracket	1
43	101515007	压杆导架螺钉 SM1/4"x40 L=8	Screw SM1/4"x40 L=8	1
44	10122112	压杆防油套	Pressure bar oil cover	1
45	10103012	压杆衬套	Presser bar bushing,lower	1
46	10102004	压杆	Presser bar	1
47	101511009	活压脚螺钉 SM9/64"x40 L=10.5	Screw SM9/64"x40 L=10.5	1
	1131600600	压脚组件	Presser foot asm	1
48	1131600300	压脚组件(厚料)	Presser foot asm (H)	1
49	115027001	拉线固定簧	Spring	1
50	409516020	六角螺母	Nut SM15/64"x28	1

#### 5



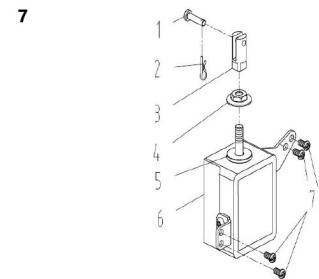
#### 5. 送料部件/Feed Mechanism Components

序号 NO	公司件号 Part NO	名称 PartName	零件描述 Description	数量 Number
1	115033004	步进电机(瑞星)	Stepper motor (Q)	1
	115000113	步进电机	Stepper motor	1
2	409511020	六角扁柱头螺钉SM3/16"x28	Screw SM3/16"x28	4
3	114922002	步进电机轴套油封Φ10×Φ16×5	Stepper motor bushing oil seal	1
4	114903001	步进电机轴套	Stepper motor bushing	1
5	114926001	针距曲柄销	Needle gage crank pin	2
6	114905001	针距连杆	Needle pitch rod	1
7	114904001	针距曲柄	Needle gage crank	1
8	S10009	螺钉M6 L=8	Screw M6 L=8	4
9	10126010	送料推动板座右销	Right pin	1
	114901001	送料推动板座	Feed shaking plate	1
	114901004	送料推动板座(-7)	Feed shaking plate(-7)	1
11	10126007	短推动板连杆销	Connecting pin	2
	10109005	送料短推动板	Feed short shaking plate	2
12	13809007	送料短推动板(厚料)	Feed short shaking plate (H)	2
	11412022	送料短推动板(-7)	Feed short shaking plate (-7)	2
13	10109004	送料长推动板	Feed long shaking plate	2
	13809008	送料长推动板(厚料, -7)	Feed long shaking plate(H, -7)	2
14	10126009	送料推动板左销	Left pin	1
15	101515001	上轮螺钉SM15/64"x28 L=10.5	Screw SM15/64"x28 L=10.5	1
	101511005	螺钉SM9/64"x40 L=6	Screw SM9/64"x40 L=6	2
	114511015	断线刀螺钉SM9/64"x40 L=6(厚)	Screw SM9/64"x40 L=6(H)	2
17	101514001	上轴中套圆锥螺钉SM1/4"x40 L=6	Screw SM1/4"x40 L=6	1
18	113514010	左销螺钉SM15/64"x28 L=12	Screw SM15/64"x28 L=12	1
19	10126011	送料曲柄销	Feed rocker crank pin	1
20	10104002	送料曲柄	Feed rocker shaft crank	1
	11304010	送料曲柄 (-7)	Feed rocker shaft crank (-7)	1
21	101511005	螺钉SM9/64"x40 L=6	Screw SM9/64"x40 L=6	1
22	101511016	送料曲柄销螺钉SM3/16"x28 L=14	Screw SM3/16"x28 L=14	1
23	101520005	拍牙连杆轴位螺母 SM9/32"x28	Hinge Screw SM9/32"x28	1
24	101511016	送料曲柄销螺钉SM3/16"x28 L=14	Screw SM3/16"x28 L=14	1
25	400093	拍牙连杆	Connecting rod	1
	400091	送料连杆	Rocker shaft connecting rod	1
26	13805002	送料连杆(厚料)	Rocker shaft connecting rod (H)	1
	400083	送料连杆(-7)	Rocker shaft connecting rod (-7)	1
27	10126006	送料连杆销	Connecting rod pin	1
28	101511005	螺钉SM9/64"x40 L=6	Screw SM9/64"x40 L=6	1
29	101516003	拍牙连杆轴位螺母 SM9/32"x28	Hinge Screw SM9/32"x28	1
30	10104004	拍牙后曲柄	Feed driving shaft crank	1
31	13802001	拍牙轴	Feed driving shaft	1
32	10108003	送料轴挡圈	Feed rocker shaft snap ring	1
33	101515002	送料轴挡圈螺钉SM1/4"x40 L=6	Screw SM1/4"x40 L=6	2
34	10403015	轴套	Bushing	1
35	H03001	GB/T894.1-1986挡圈 15	Snap ring 15	1
	10104007	拍牙叉形曲柄	Snap ring 15	1
36	10804003	拍牙叉形曲柄(厚料, -7)	Driving shaft crank (H, -7)	1
	116511005	拍牙叉形曲柄螺钉SM11/64"x40 L=10.5	Screw SM11/64"x40 L=10.5	1
	101511020	拍牙叉形曲柄螺钉SM11/64"x40 L=10.5(厚)	Screw SM11/64"x40 L=10.5(H)	1
38	400672	牙架	Feed bar asm	1
39	101511016	送料曲柄销螺钉SM3/16"x28 L=14	Screw SM3/16"x28 L=14	1
40	10128003	牙架座螺钉垫圈	Washer	1
41	480095	牙架座	Feed bar bed	1
42	10401007	牙架销(自制)	Feed bar pin	1
43	101511025	复位板螺钉SM11/64"x40 L=7	Screw SM11/64"x40 L=7	1
	13814005	送料牙	Feed dog	1
44	11314001	送料牙(厚料)	Feed dog (H)	1
	11414001	送料牙(-7)	Feed dog (-7)	1
45	101511018	送料牙螺钉 SM1/8"x44 L=6	Screw SM1/8"x44 L=6	2
46	10102008	送料轴	Feed rocker shaft	1
47	H03001	GB/T894.1-1986挡圈 15	Snap ring 15	1
48	10403015	轴套	Bushing	1
49	10108003	送料轴挡圈	Feed rocker shaft snap ring	1
50	101515002	送料轴挡圈螺钉SM1/4"x40 L=6	Screw SM1/4"x40 L=6	2
51	10128003	垫片	washer	4
52	W03002	弹簧垫圈	Spring washer	4



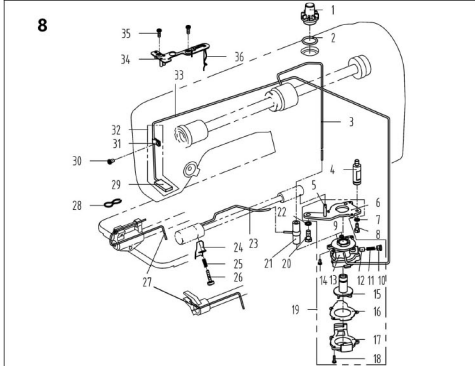
## 6. 剪线部件/Thread Trimmer Components

序号 NO	公司件号 Part NO	名称 PartName	零件描述 Description	数量 Number
1	113515002	定刀调节螺钉SM1/8"x44 L=9.5	Screw SM1/8"x44 L=9.5	1
2	115019001	定刀	Secant knife	1
	113819005	定刀(-HL)	Secant knife(-H)	1
3	113517001	螺钉SM9/64"x40	Screw SM9/64"x40	1
4	11312003	护针片	Needle guard patch	1
	113812008	护针片(-HL)	Needle guard patch (-HL)	1
5	201511009	螺钉SM9/64"x40 L=5.5	Screw SM9/64"x40 L=5.5	1
6	113511001	螺钉SM11/64"x40 L=12	Screw SM11/64"x40 L=12	2
7	10128003	牙架座螺钉垫圈	Washer	2
8	1381203100	刀架压板组件	Knife bracket press component	1
9	13812031	刀架压板	Knife bracket press	1
10	13803012	短套	Short bushing	2
11	113517002	活动刀固定螺钉SM11/64"x40 L=4.4	Screw SM11/64"x40 L=4.4	2
	11319002	活动刀(薄料)	Moterial knife	1
	11319003	活动刀(-HL)	Moterial knife (-H)	1
	113819003	活动刀(-HL)	Moterial knife (-HL)	1
13	11307001	剪线刀架	Knife bracket	1
	113807001	剪线刀架(-HL)	Knife bracket (-HL)	1
14	113520001	连杆螺钉SM11/64"x40	hinge Screw SM11/64"x40	2
15	11312005	剪线连杆	Connecting rod	1
16	114516004	螺母SM11/64"x40	Nut SM11/64"x40	1
17	11304001	剪线驱动曲柄	Crank	1
18	113822014	驱动曲柄止动块	Crank driver stopper block	1
19	S05004	螺钉M5 L=14	Screw M5 L=14	1
20	11327001	剪线复位弹簧	Spring	1
21	11230004	14孔接线器	Plug	1
22	11230005	电线插针	Pin	1
23	11303003	切线轴套	Thread cutting shaft bushing	1
	14103003	切线轴套(-HL)	Thread cutting shaft bushing (-HL)	1
24	11503005	驱动曲柄轴衬套	Crank drive shaft bushing	1
25	113514020	螺钉SM11/64"x40 L=6	Screw SM11/64"x40 L=6	1
26	11322002	扭簧端盖	Spring cover	1
27	11327002	弹簧	Spring	1
28	11304002	切线凸轮曲柄轴	Crank shaft	1
29	101514001	上轴中档挡圈螺钉SM1/4"x40 L=6	Screw SM1/4"x40 L=6	1
30	116514005	螺钉SM1/4"x40 L=10	Screw SM1/4"x40 L=10	2
31	11309030	凸轮顶柱	Push rod	2
32	11310004	剪线凸轮	Cam	1
	11310011	剪线凸轮(厚料)	Cam (H)	1
33	11324001	滚柱	Rolling pin	1
34	1138N516001	螺母SM11/64"x40	Nut SM11/64"x40	1
35	1130400500	剪线驱动组件	Thread trimmer drive asm.	1
36	11302002	剪线驱动轴	Shaft	1
37	11322001	驱动曲柄止动块	Positioning block	1
38	H05013	GB/T896-1986挡圈6	Snap ring 6	1
39	10112003	针杆曲柄护板	Curter weight protecting	1
40	11322003	电磁铁缓冲垫	Solenoid cushion rubber	1
41	11309001	切线电磁铁顶销	Solenoid pin	1
42	101511026	油泵安装螺钉SM15/64"x28 L=9	Screw SM15/64"x28 L=9	1
43	11312006	切线磁铁支架	Solenoid bracket	1
44	N01005	螺母M4	Nut M4	2
45	W02018	GB/T93-1987 弹簧垫圈4	Washer 4	2
46	112516006	螺母SM1/4"x40	Nut SM1/4"x40	1
47	113822005	垫圈	Washer	1
48	11503000400	剪线电磁铁组件	Thread trimmer solenoid asm.	1
49	11327003	弹簧	Spring	1
50	115012004	松线座	Thread release bed	1
51	113520002	螺钉SM1/4"x28	Screw SM1/4"x28	1



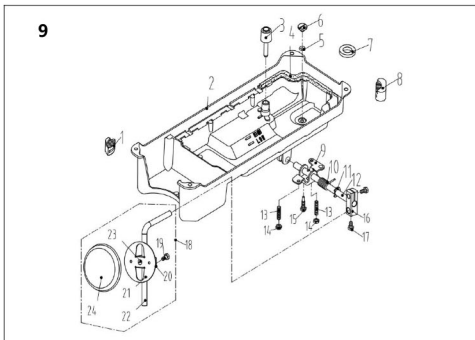
## 7. 自动抬压脚部件(配-4机型)/Auto Lifter Components(With -4 type)

序号 NO	公司件号 Part NO	名称 PartName	零件描述 Description	数量 Number
1	11326005	销子	Pin	1
2	113829001	R形弹性开口销φ1.5	Cotter pin	1
3	11326006	电磁铁接头	Solenoid connector	1
4	113516004	法兰螺母M8	Flange nuts M8	1
5	11322008	电磁铁上垫片	washer	1
6	11493000600	电磁铁组件(厚料)	Solenoid asm (H)	1
7	101511001	后盖板螺钉SM3/16"x28 L=9	screw SM3/16"x28 L=9	4



## 8. 润滑部件/Oil Lubrication Components

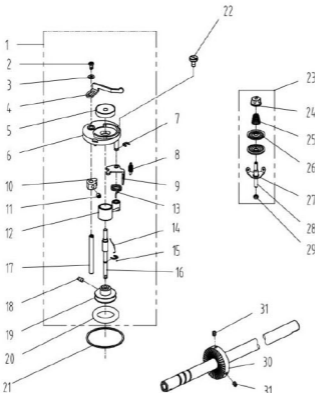
序号 NO	公司件号 Part NO	名称 PartName	零件描述 Description	数量 Number
1	11211004	油窗	Oil sight window	1
2	10122019	油窗O形圈	Rubber ring	1
3	14121001	上轴供油管	Main shaft oil tube	1
4	112530005	油泵连接螺栓	Oil pump connecting stud	1
5	10121001	供油管	Hook oil tube	1
6	10112020	油泵安装板	Oil pump installing base	1
7	W03002	弹簧垫圈 5	Spring washer 5	1
8	209512001	压紧螺钉SM11/64"×40 L=10.5	Screw SMT1/64"×40 L=10.5	1
9	10103022	油泵体衬套	Oil pump bushing	1
10	101530007	柱塞螺钉	Plunger Screw	1
11	10127013	柱塞簧	Plunger spring	1
12	10122018	回油柱塞	Plunger	1
13	10120001	油泵体	Oil pump	1
14	S04093	油泵螺钉M3 L=6	Screw M3 L=6	3
15	10111003	油泵叶轮	Oil pump impeller	1
16	10112021	油泵叶轮托板	Oil pump impeller cover	1
17	10111007	油泵盖	Lubricating oil pump cover	1
18	101530006	螺钉ST2.9 L=10	Screw ST2.9 L=10	3
19	101200100	油泵分部件	Lubricating oil pump component	1
20	116530003	拾牙叉固定螺钉SM15/64"×28 L=14.5	Screw SMT5/64"×28 L=14.5	1
21	10136001	供油管接头	Rubber joint	1
22	W02004	GB/T93-1987弹垫M6	Spring Washer M6	1
23	13821015	旋转供油管	Hook driving shaft oil tube	1
	113821001	旋转供油管(-HL)	Hook driving shaft oil tube (-HL)	1
24	11312031	挡油罩	Oil shield cover	1
25	13827014	油量调节螺钉弹簧	Spring	1
26	113530001	油量调节螺钉SM11/64"×40 L=19	Screw SMT1/64"×40 L=19	1
27	10423005	油线	Oil wick	2
28	10127015	回油毡夹	Oil felt clamp	1
29	10123006	回油毡	Oil felt felt	1
30	101511004	拱线杆护罩螺钉SM3/16"×28 L=7	Screw SM3/16"×28 L=7	1
31	10112023	回油管夹	Oil tube clamp	1
32	11502100100	回油管部件	Oil return tube component	1
33	115021002	回油管	Oil return tube	1
34	10112025	油线固定板	Oil wick fixing plate	1
35	101511010	压紧扳手螺钉SM9/64"×40 L=11	Screw SM9/64"×40 L=11	2
36	10123010	油线	Oil wick	1



## 9. 油盘、膝抬压脚分组件/Oil Reservoir & Knee Lifter Components

序号 NO	公司件号 Part NO	名称 PartName	零件描述 Description	数量 Number
1	10122022	油盘垫	Oil reservoir rubber cushion	2
2	13801020	油盘	Oil Reservoir	1
3	10111005	抬压脚顶杆	Knee lifter push rod	1
4	10122020	油盘垫	Oil Reservoir gasket	1
5	10122021	O形圈	Rubber ring	1
6	101511028	排油孔螺钉SM5/16"×24 L=7	Screw SM5/16"×24 L=7	1
7	10131001	油盘磁铁	Oil reservoir magnet	1
8	10122023	油盘支架	Oil reservoir rubber cushion	2
9	10112027	抬压脚双向曲柄	Knee lifter crank	1
10	10127016	双向曲柄弹簧	Knee lifter spring	1
11	H05010	GB/T896-1986挡圈9	Snap ring 9	1
12	10102011	抬压脚轴	Knee lifter shaft	1
13	101515012	双向曲柄限位调节螺钉M6 L=30	Screw M6 L=30	2
14	101516004	双向曲柄限位调节螺母M6 L=4	Nut M6 L=4	3
15	101512002	双向曲柄螺钉M6 L=26	Screw M6 L=26	1
16	10101008	抬压脚推杆节头	Bearing bracket	1
17	101512003	螺钉M8 L=16	Screw M8 L=16	2
18	1011202800	推杆杆组件	Knee press plate asm	1
19	101512004	螺钉M6 L=11	Screw M6 L=11	1
20	10112030	推杆杆节头	Knee press plate holder	1
21	10112029	推杆板	Knee press plate	1
22	10112028	推杆杆	Knee lifter plate rod	1
23	10122025	推杆杆垫	Rubber	1
24	10122024	推杆板胶垫	Knee press plate cover	1

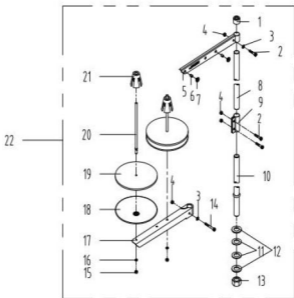
## 10



## 10. 绕线部件 / Winding Components

序号 NO	公司件号 Part NO	名称 PartName	零件描述 Description	数量 Number
1	1383103900	绕线器组件	Bobbin winder asm	1
2	114511008	螺钉M4 L=6	Screw M4 L=6	1
3	W01142	垫圈4	Washer 4	1
4	10113030	压线控制板	Thread press control plate	1
5	10111120	绕线衬垫	Winding pad	1
6	13831101	绕线器装置底座	Bobbin winder bed	1
7	H05006	开口挡圈5	Snap ring 5	1
8	10127061	复位板弹簧	Spring	1
9	13812110	调节板	Regulating plate	1
10	10110030	绕线凸轮	Bobbin winder cam	1
11	S09045	螺钉M5 L=5	Screw M5 L=5	1
12	1380510600	绕线器连杆组件	Bobbin winder connecting rod	1
13	13827103	满位限位簧	spring	1
14	10127060	弹簧	Spring	1
15	GB/T 896-1986	开口挡圈4	Snap ring 4	1
16	13802111	绕线器主轴	Bobbin winder main shaft	1
17	13802026	绕线凸轮轴	Bobbin winder cam shaft	1
18	S09103	绕线轮螺钉M4 L=4	Screw M4 L=4	2
19	13831102	绕线轮	Bobbin winder wheel	1
20	O01110	O型圈	Ring	1
21	11422062	密封垫	Washer	1
22	114511003	螺钉SM3/16"×28 L=10	Screw SM3/16"×28 L=10	3
23	1411300600	后线夹线器	Bobbin thread tension asm	1
24	141516019	夹线螺母	Thread tension nut	1
25	11427006	小夹线弹簧	Spring	1
26	14112015	夹线板	Thread tension disk	2
27	11413022	夹线过线板	Thread tension guide plate	1
28	112513004	夹线螺钉	Screw	1
29	114516001	螺母SM11/64"×40	Nut SM11/64"×40	1
30	11435013	绕线器驱动轮	Driving wheel	1
31	S10009	螺钉M6 L=8	Screw M6 L=8	2

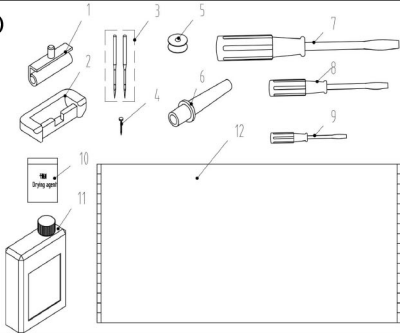
## 11(1)



## 11. 机头附件(1)-线架组件/Machine Head Accessories (1)-Thread Stand Components

序号 NO	公司件号 Part NO	名称 PartName	零件描述 Description	数量 Number
1	20131019	线架杆顶防护橡皮	Spool rest rod rubber cap	1
2	S04050	十字槽凹穴六角头螺栓M5 L=16	Screw M5 L=16	3
3	W01047	垫圈M5	Washer M5	2
4	N01034	螺母M5	Nut M5	4
5	13831022	上线架过线杆	Spool rest arm upper	1
6	10113011	过线圈(内)	Thread guide ring	2
7	10113010	过线圈(外)	Thread guide ring	2
8	13831019	线架杆上节	Spool rest rod upper	1
9	13831021	线架杆接头	Spool rest rod joint	1
10	13831020	线架杆下节	Spool rest rod lower	1
11	10122106	橡胶垫圈	Spool rest rod rubber ring	2
12	N01052	垫圈M16	Washer M16	2
13	N02008	六角薄螺母 M16	Spool rest rod nut M16	1
14	S04051	十字槽凹穴六角头螺栓M5 L=31.6	Spool rest arm lower screw M5 L=31.6	1
15	N01034	螺母M5	Nut M5	2
16	W03002	弹簧垫圈 5	Spring washer 5	2
17	13831023	下线架过线杆	Spool rest arm lower	1
18	13831024	线盘	Spool rest	2
19	20131010	线盘垫	Spool rest cushion	2
20	20131006	线盘钉	Spool pin	2
21	13831025	线盘防松垫	Spool retainer	2
22	1383100300	线架组件	Thread stand asm.	1

## 11(2)



## 11. 机头附件(2)/Machine Head Accessories (2)

序号 NO	公司件号 Part NO	名称 PartName	零件描述 Description	数量 Number
1	1011203100	机头连接钩组件	Hinge component	2
2	10122060	机头连接钩座	Head connecting rubber cushion	2
3	10117001	机针DB×1 #14	Needle DB×1 #14	4
	10117002	机针DP×5 #21(厚料)	Needle DP×5 #21 (H)	4
4	101530010	机头连接钩螺钉P19	Nail P19	6
	10118003	梭心	Bobbin	2
5	10818501	大梭心(-L)	Big Bobbin (-L)	2
	13818002	梭芯(-P)	Big Bobbin (-P)	10
6	115011003	机头支柱	Machine head rest pin	1
7	20731047	螺丝刀(大)	Screw driver (large)	1
8	10131003	螺丝刀(中)	Screw driver (medium)	1
9	10131004	螺丝刀(小)	Screw driver (small)	1
10	113831011	干燥剂(25g)	Drying agent(25g)	1
11	1381101200	油箱组件	Oiler component	1
12	114131001	防尘罩	Dust cover	1

## 杰克缝纫机股份有限公司

杰克缝纫机  
全球销量遥遥领先

公司地址(Address of Company):

中国浙江省台州市椒江区三甲东海大道东段1008号

NO.1008, DONGHAI AVENUE EAST, JIAOJIANG DISTRICT,TAIZHOU CITY, ZHEJIANG

邮编( Zip Code ): 318000

国内销售部(Domestic Trade Department):

电话(TEL): 0086-0576-88177788 88177789

传真(FAX): 0086-0576-88177758

国际销售部(International Trade Department):

电话(TEL): 0086-0576-88177782 88177774

传真(FAX): 0086-0576-88177787

服务热线: 400-8876858

<http://www.chinajack.com>

资料如有更改,恕不另行通知,以实物为准。

You will be not informed if the file has been revised.Please set sample as standard.

日期: 2020.11.2



请扫描下方二维码