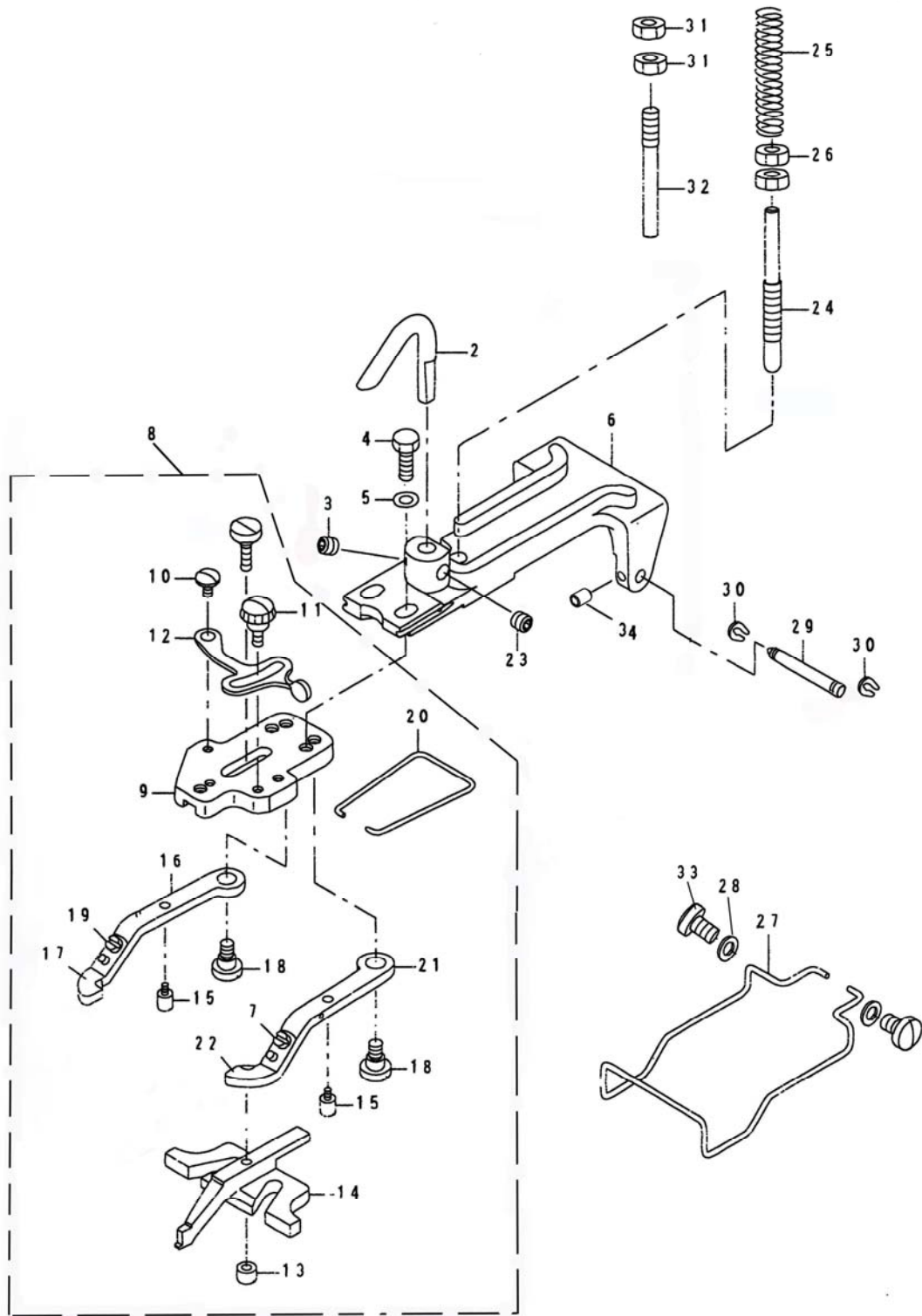


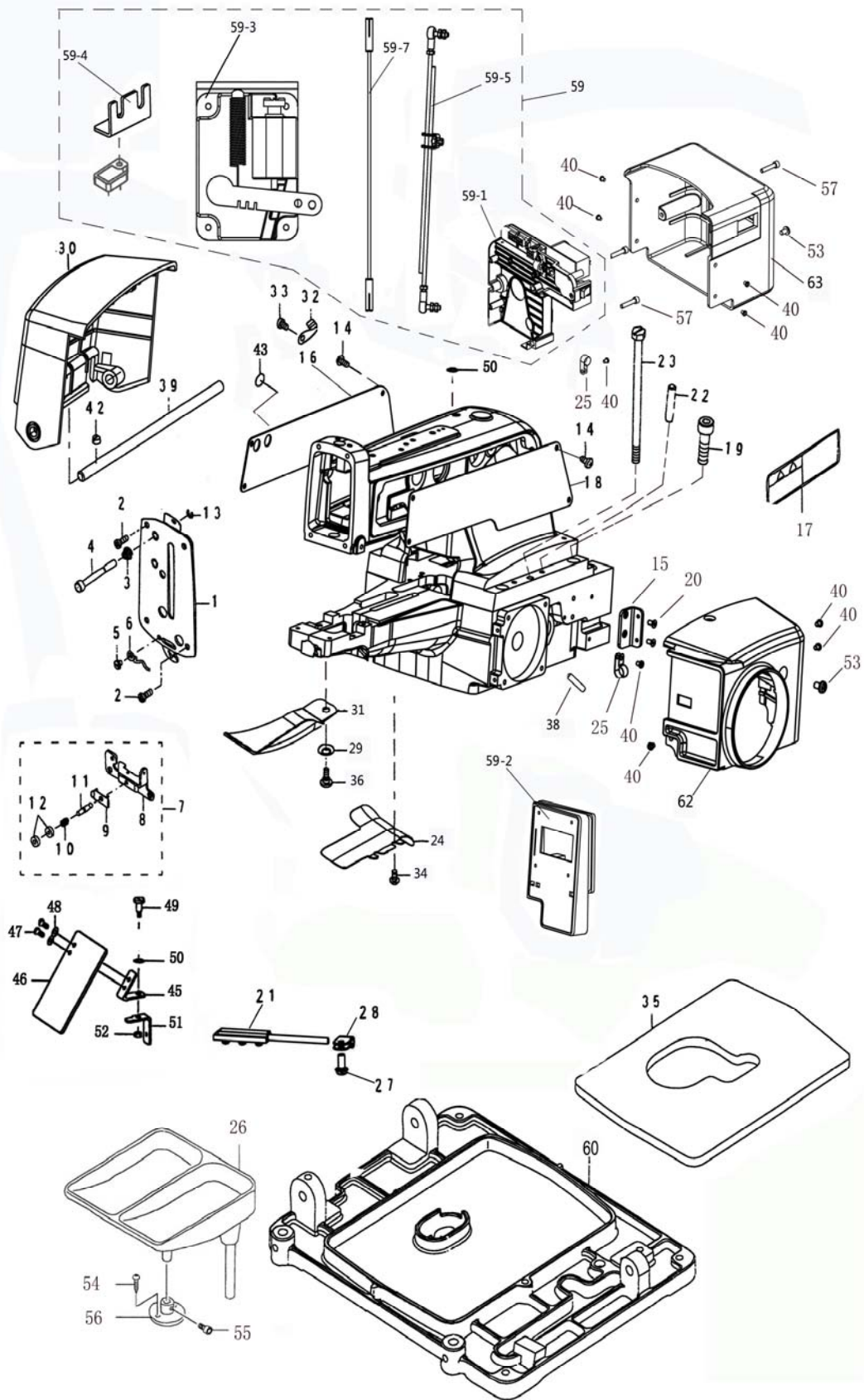
# 1. 钮钳机构部件 BUTTON CLAMP MECHANISM COMPONENTS



## 1、钮钳机构部件/Button clamp mechanism components

序号	零件件号	名称	数量	DESCRIPTION
1	-----	抬压脚组件	1	PICK-UP DEVICE ASM.
2	40902001	钮针提升杆	1	BUTTON CLAMP LIFTING HOOK
3	402S14006	螺钉	1	SCREW 15/64-28 L=9
4	409S12001	螺钉	2	SCREW 3/16-32 L=13.5
5	40928001	垫圈	2	WASHER 5×10.5×1
6	300145	钮钳座	1	BUTTON CLAMP HOULDER
7	409S11002	螺钉	1	SCREW 9/64-40 L=3.5
8	4091200100	钮钳杆座组件	1	HINGE SCREW D=5.5 H=3
9	40912002	钮夹控制座	1	JAW LEVER HOLDER
10	409S20002	轴位螺钉	1	HINGE SCREW D=5.5 H=1.8
11	409S20003	钮夹螺钉	1	CLAMP SCREW A
12	40912003	钮夹止动杆	1	SNAP FASTENER CLAMP STOP LEVER
13	409S16001	螺母	1	NUT
14	40901003	钮夹滑块	1	BUTTON CLAMP SLIDE
15	409S20004	钮夹止动销	2	BUTTON CLAMP STOP PIN
16	40912005	左钮夹钳夹	1	BUTTON CLAMP LEVER JAW (LEFT)
17	40912006	钮扣左弹簧压板	1	BUTTON HOLDING SPRING LEFT
18	409S20005	轴位螺钉	2	HINGE SCREW D=6.35 H=3.9
19	409S11002	螺钉	1	SCREW 9/64-40 L=3.5
20	40927001	钮夹弹簧	1	BUTTON CLAMP SPRING
21	40912008	右钮夹钳夹	1	BUTTON CLAMP LEVER JAW RIGHT
22	40912009	钮夹右弹簧压板	1	BUTTON HOLDING SPRING RIGHT
23	402S14006	螺钉	1	SCREW 15/64-28 L=9
24	409S30002	钮钳调压杆	1	BUTTON CLAMP PRESSUER ADJUSTIN
25	40927002	钮夹压力弹簧	1	PRESSUER ADJUSTING SPRING
26	409S16003	螺母	2	NUT M6
27	40927003	手指保护架	1	FINGER GUARD
28	30128010	垫圈	2	WASHER
29	40902002	合叶销	1	HINGE PIN
30	H05002	卡簧	2	SNAP PIN
31	401S16002	螺母	2	NUT M6
32	409S30001	钮钳塞销	1	PICK-UP DEVICE STOPPER PIN
33	402S11007	螺钉	2	SCREW 11/64-40 L=3.5
34	413S14004	螺钉	2	SCREW M3

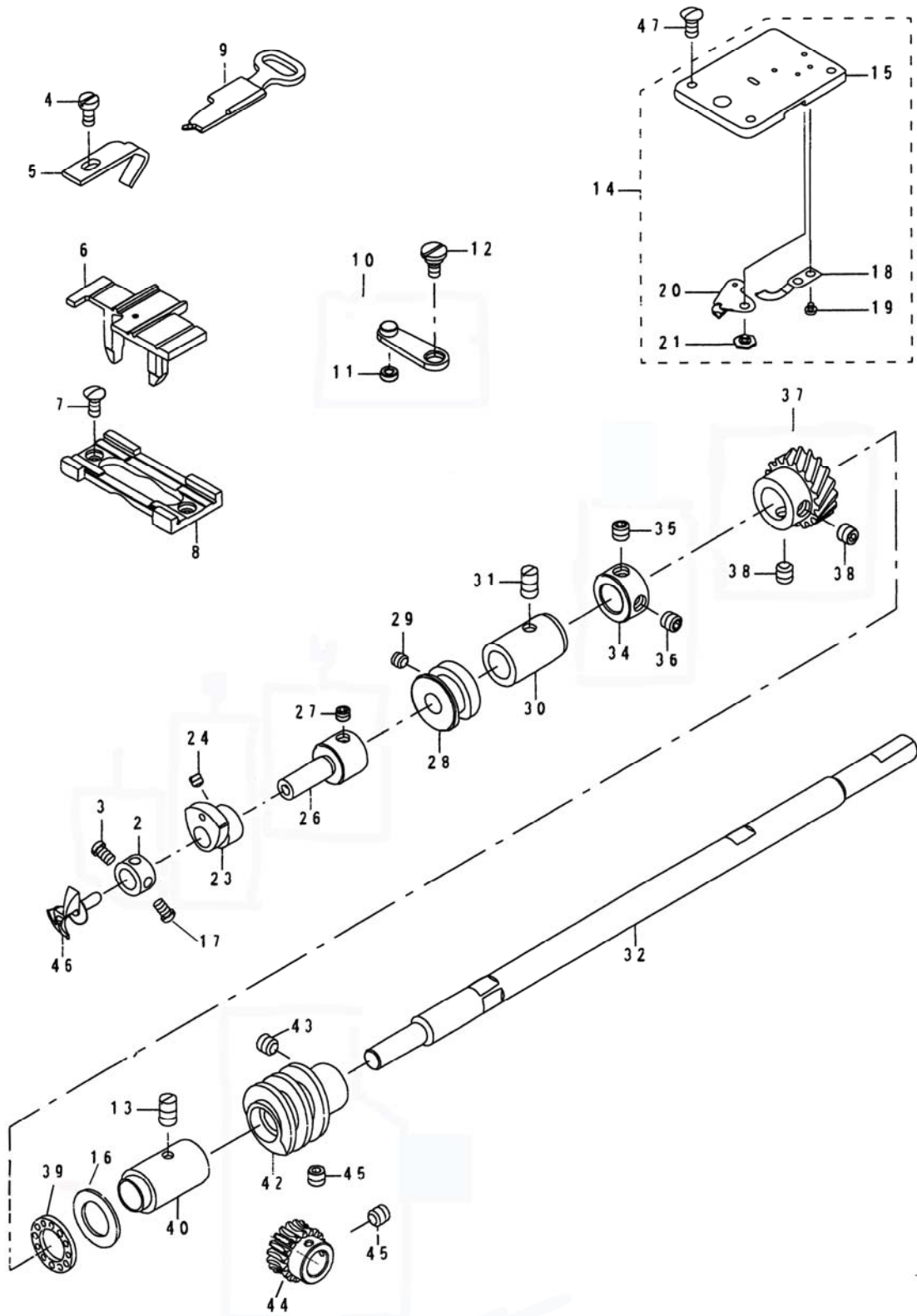
## 2. 机壳部件 ARM & MISCELLANEOUS COVERS COMPONENTS



## 2、机壳部件/Arm & miscellaneous cover components

序号	零件件号	名称	数量	DESCRIPTION
1	4091206200	面板盖组件	1	FACE PLATE COMPL
2	406S11009	螺钉	4	SCREW
3	40927004	第三夹线弹簧	1	TENSION SPRING
4	40902003	夹线螺栓	1	NIPPER RELEASING STOP
5	409S11004	螺钉	1	SCREW
6	40913002	第四线导向装置	1	THREAD GUIDE NO.4
7	4091301400	3号线张力器组件	1	THREAD TENSION NO.3 ASM.
8	40913015	3号线张力调节座	1	TENSION ADJUSTING BASE NO.3
9	40913016	线张力盘	1	THREAD PRESSER PLATE
10	40927020	弹簧	1	TENSION SPRING B
11	409S30017	线张力器螺栓	1	THREAD TENSION STUD
12	409S16026	张力调节螺母	2	THREAD TENSION NUT
13	H05002	GB/T896-1986 挡圈 3	1	E-RING 3.2
14	406S11009	螺钉	8	SCREW
15	40912203	罩壳安装座	1	RUBBER PLUG
16	301805	左盖板	1	SIDE COVER RIGHT
17	40937008	安全标签	1	SAFETY LABEL
18	301807	右盖板	1	SIDE COVER LEFT
19	S05024	拼装螺钉	4	SCREW M8 L=30
20	409S11009	螺钉	2	SCREW
21	40930008	LED 灯 (TD-5)	1	LED LAMP
22	P02002	GB/T117-1986 销 6×32	2	GUIDE PIN
23	409S30018	连接螺栓	1	SET SCREW
24	40912080	防油底板	1	BED OIL SHELD
25	41711014	电线夹	3	WIRE CLIP
26	4091100100	钮扣盘	1	BUTTON TRAY ASM
27	417S30009	螺栓 M4X6	3	SCREW
28	41711014	电线夹	3	WIRE CLIP
29	40228001	弹性垫圈	1	SPRING WASHER 6.5×14.0×17
30	40911007	左侧盖	1	SIDE COVER LEFT
31	40912081	底座活动盖	1	LOOPER COVER
32	40912067	侧盖弹簧片	2	SIDE COVER SPRING
33	409S11006	螺钉	2	SCREW M4 L=6
34	409S11007	螺钉	2	SCREW
35	40923013	滴油毡	1	OIL DRIP FELT
36	409S20006	螺钉	1	SHOULDER SCREW D=6 H=2.7
37	61910003	扎带 (小)	4	RIBBON
38	40926002	凸轮指示销	2	CAM INDECATING PIN
39	40902019	左侧盖轴	1	SIDE COVER HINGE SHAFT LEFT
40	417S30009	螺钉	10	SCREW
41	40911011	电机罩壳	1	SIDE COVER
42	402S14006	螺钉	1	SCREW M6 L=6
43	40122017	橡皮塞	1	RUBBER PLUG
45	40112008	安全板支架	2	SAFETY PLATE
46	40911006	安全板	2	SAFETY PLATE
47	409S11008	螺钉	2	SCREW M4 L=6
48	40928002	垫圈	1	SPRING WASHER 5.0×110
49	402S20032	轴位螺钉	1	HINGE SCREW D=6 H=2.5
50	40128001	波形垫圈	2	SPRING
51	40912020	安全板安装座	1	SAFETY PLATE INSTALLING BASE
52	401S16004	螺母	1	NUT SM15/64-28
53	421S10013	螺钉 M5×8	2	SCREW
54	421s30002	木螺钉	3	WOOD SCREW
55	S10009	螺钉 M6×12	1	SCREW
56	300941	钮扣盘固定座	1	BUTTON TRAY BASE
57	S05083	螺钉 M5×30	3	SCREW
58	40911012	电控罩壳	1	MOTOR COVER
59	40933002	电控	1	CONTROL BOX
59-1	40933005	电路板	1	Board
59-2	40933006	操作面板	1	Operation panel
59-3	40933007	脚踏板	1	Pedals
59-4	40933008	感应器	1	Sensor
59-5	40931044	脚踏连杆	1	Foot link
59-6	40931045	脚踏安装板	1	Foot mounting plate
59-7	40933009	脚踏转接线	1	Foot switch
60	40901022	油盘	1	OIL RESERVOIR

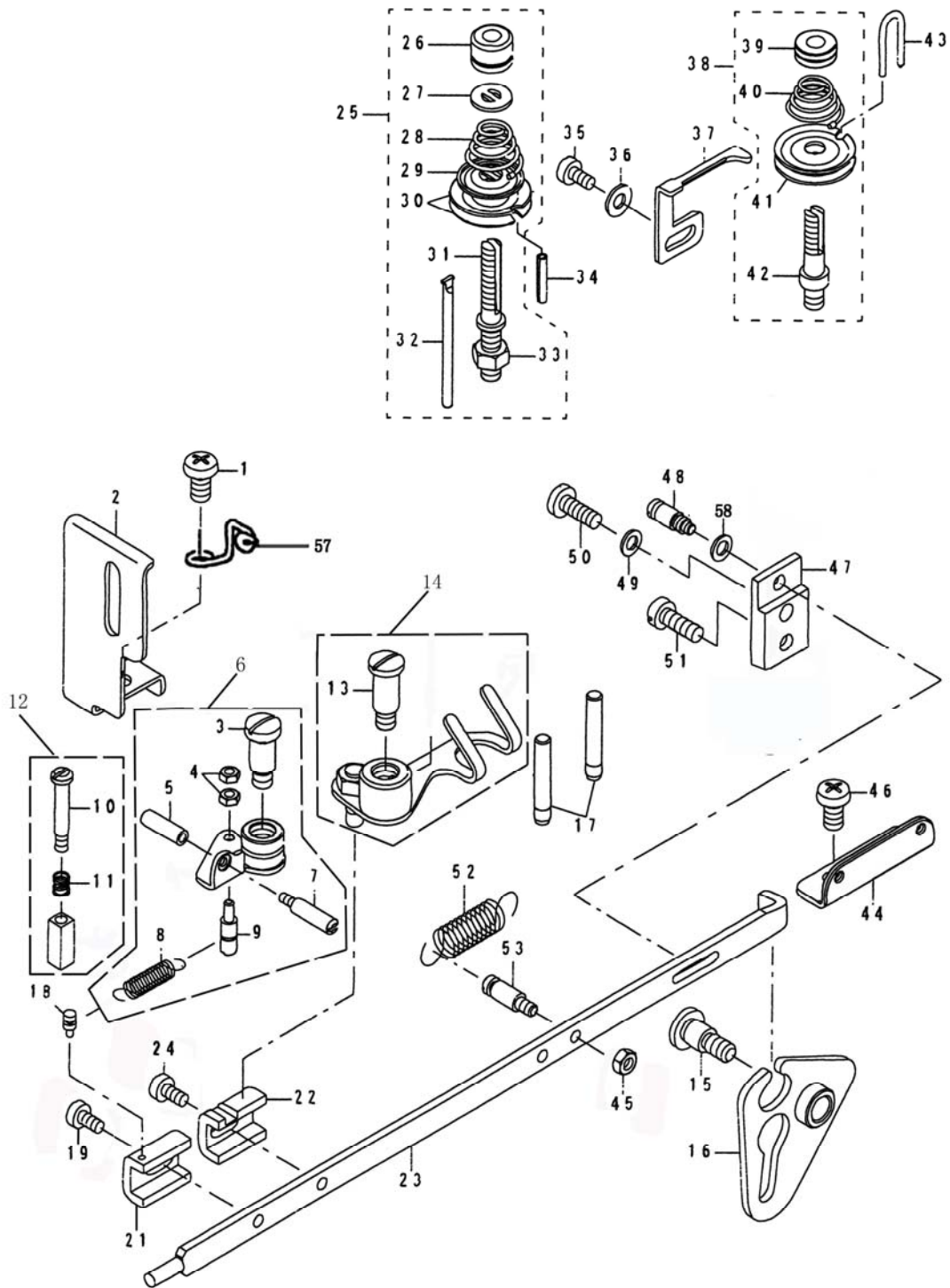
### 3. 下轴部件 LOOPER SHAFT MECHANISM COMPONENTS



### 3、下轴部件/Looper shaft mechanism components

序号	零件件号	名称	数量	DESCRIPTION
1	-----	挡圈组件	1	THRUST COLLAR .ASM
2	40908002	挡圈	1	THRUST COLLAR D=7.94 W=7
3	409S11012	螺钉	1	SCREW 9/64-40 L=6.1
4	409S11010	螺钉	1	SCREW
5	40912021	导向线杆（打捆针导向器）	1	NEEDLE GUARD
6	40909001	插入导向滑板	1	POSITONGNING FINGER YOKE SLIDE
7	409S17001	螺钉	2	SCREW M4 L=9
8	40909002	导向卡箍（压铁插孔）	1	YOKE SLIDE INSERT
9	40912022	滑块（钹铁片）	1	YOKE SLIDE
10	4090500100	环形定位杆	1	ASSY LOOP POSITIONING FINGER L
11	40903003	滚珠	1	LOOP POSITIONING FINGER CAM RO
12	409S20008	轴位螺钉	1	HINGE SCREW D=6.35 H=2.4
13	401S14001	螺钉	1	SCREW
14	-----	针板组件	1	THROAT PLATE SET
15	40901005	针板	1	THROAT PLATE ASM.
16	40928004	轴承垫圈	1	BEARING WASHER
17	409S11031	螺钉	1	SCREW
18	40919003	定刀	1	COUNTER KNIFE
19	409S11011	螺钉	2	SCREW1/8-44 L=3.0
20	4091900100	动刀	1	MOVING KNIFE ASM.
21	409S20009	螺钉	1	HINGE SCREW D=6 H=0.85
22	-----	分线三角凸轮	1	ASSY LOOP POSITIONING FINGER C
23	40910001	后凸轮	1	LOOP POSITIONING FINGER CAM
24	409S14002	螺钉	2	SCREW 11/64-40 L=3.5
25	-----	连接轴组件	1	ASSY CAM AND LOOPER SLEEVE
26	40902006	连接轴	1	CAM AND LOOPER SLEEVE
27	409S15004	螺钉	2	SCREW 15/64-28 L=4.0
28	40910002	后凸轮	1	LOOP POSITIONING FINGER CAM RE
29	409S14002	螺钉	2	SCREW 11/64-40 L=2.8
30	40903046	下轴前套	1	LOOPER SHAFT BUSHING FRONT
31	401S14001	螺钉	1	SCREW
32	40902026	下轴	1	LOOPER SHAFT
33	-----	挡圈组件	1	THRUST COLLAR ASM, D=11.11, W=1
34	40908001	挡圈	1	THRUST COLLAR ASM, D=11.11, W=10
35	402S14002	螺钉	1	SCREW 1/4-40 L=5
36	402S14002	螺钉	1	SCREW 1/4-40 L=5
37	40925002	勾线轴齿轮	1	LOOPER SHAFT DRIVER GEAR ASM.
38	409S14001	螺钉	2	SCREW 1/4-40 L=6
39	40924001	端面轴承	1	THRUST BALL BEARING
40	40903005	下轴后套	1	LOOPER SHAFT BUSHING REAR
41	-----	蜗轮蜗杆组件	1	WORM WHEEL ASM.
42	40925011	蜗杆	1	WORM
43	409S14003	螺钉	2	SCREW 1/4-40 L=7
44	40925001	凸轮轴从动齿轮	1	CAM SHAFT ASM.
45	409S14003	螺钉	2	SCREW 1/4-40 L=6
46	40917001	钩圈	1	LOOPER
47	409S11009	螺钉	3	SCREW M4 L=9

#### 4. 绕线和过线部件 NIPPER & THREAD TENSION PARTS COMPONENTS

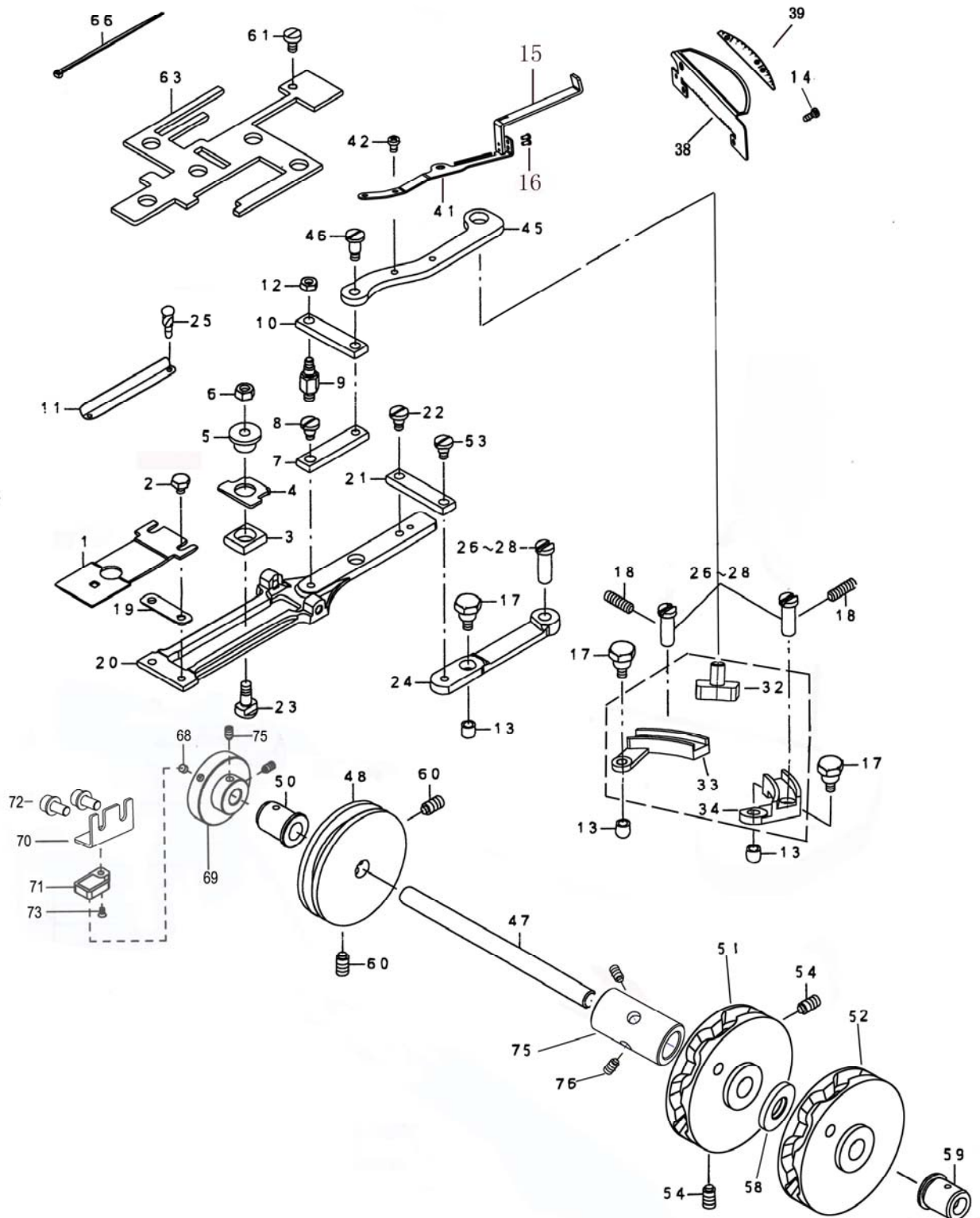


#### 4、绕线和过线部件/Nipper & tension parts components

序号	零件件号	名称	数量	DESCRIPTION
1	409S11013	螺钉	1	SCREW M6 L=12
2	40912024	针杆防护罩	1	NEEDLE BAR GUARD
3	409S20013	轴位螺钉	1	SHOULDER SCREW
4	409S16005	螺母	2	NUT
5	409S16006	松线螺母	1	NUT
6	4091202500	导线装置	1	NIPPER COMPL
7	409S20011	松线销	1	LOOPER SHAFT BUSHING REAR
8	40927007	夹线杆拉伸弹簧	1	NIPPER BAR BLOCK SPRING
9	409S30004	弹簧销	1	NIPPER BAR BLOCK SPRING SCREW
10	409S20012	螺钉	1	HINGE SCREW D=4 H=20
11	40927008	夹线座弹簧	1	HIPPER SLIDE BLOCK SPRING
12	40909003	夹线座	1	NIPPER BLOCK
13	409S20013	螺钉	1	SHOULDER SCREW D=7.94 H=15
14	4091300400	引线杆组件	1	THREAD PULL OFF LEVER ASM.
15	409S20014	驱动杆轴位螺钉	1	SHOULDER SCREW D=7.94 H=8
16	4091202700	夹线杆驱动杆组件	1	NIPPER BAR ACTUATING LEVER ASM.
17	40926006	导线杆	2	THREAD GUIDE PIN
18	40926007	夹线杆底座弹簧销	1	NIPPER BAR BLOCK SPRING PIN
19	409S11014	螺钉	1	SCREW
21	40912029	夹线杆驱动块	1	NIPPER BAR BLOCK
22	40912030	拨线杆驱动块	1	TENSION LEVER ROCKING PIECE
23	40912031	夹线杆	1	NIPPER BAR
24	409S11014	螺钉	1	SCREW
25	4091300600	2号夹线杆组件	1	TENSION POST ASM NO. 2
26	409S16007	调节螺母	1	TENSION NUT
27	40912032	夹线器防松盘	1	ROTATION STOPPER
28	40927009	夹线器弹簧	1	THREAD TENSION SPRING
29	40912033	松线板	1	THREAD TENSION DISK PRESSER
30	40913007	夹线板	2	THREAD TENSION NO. 1
31	409S30006	第二夹线杆	1	TENSION POST NO. 2
32	409S16008	夹线板松线杆	1	TENSION RELEASE PIN
33	40926008	螺母	1	NUT M6
34	P03009	弹性圆柱销	1	SPRING PIN 3×16
35	409S11014	螺钉	1	SCREW
36	40928004	垫圈	1	WASHER
37	40912034	释压杆	1	THREAD TENSION RELEASING LEVER
38	4091300800	1号夹线器组件	1	ASSY HTREAD RENSION NO. 1
39	409S16009	调节螺母	1	THREAD TENSION NUT
40	40927010	夹线器弹簧	1	FIRST THREAD TENSION SPRING
41	40913007	夹线板	2	THREAD RENSION DISK NO. 1
42	409S30007	第一夹线杆	1	THREAD RENSION POST NO. 2
43	40913009	导线钩	1	THREAD GUIDE
44	40913010	二眼线板	1	THREAD GUIDE NO. 1
45	409S16024	螺母	1	NUT M4
46	409S11013	螺钉	1	SCREW M5 L=14
47	40912100	夹线杆滑块	1	NIPPER BAR BEARING BLOCK
48	409S30008	调节螺钉	1	ADJUSTING SCREW
49	40928005	垫圈	1	WASHER 5.5×10×0.8
50	409S11015	螺钉	1	SCREW M6 L=12
51	409S11016	螺钉	1	SCREW
52	40927011	2号钳杆弹簧	1	THREAD TENSION SPRING
53	409S30009	夹线杆拉伸弹簧销	1	NIPPER BAR SPRING SCREW
57	40913012	2号导线钩	1	THREAD GUIDE
58	40928005	垫圈	1	WASHER 5×10.5×1



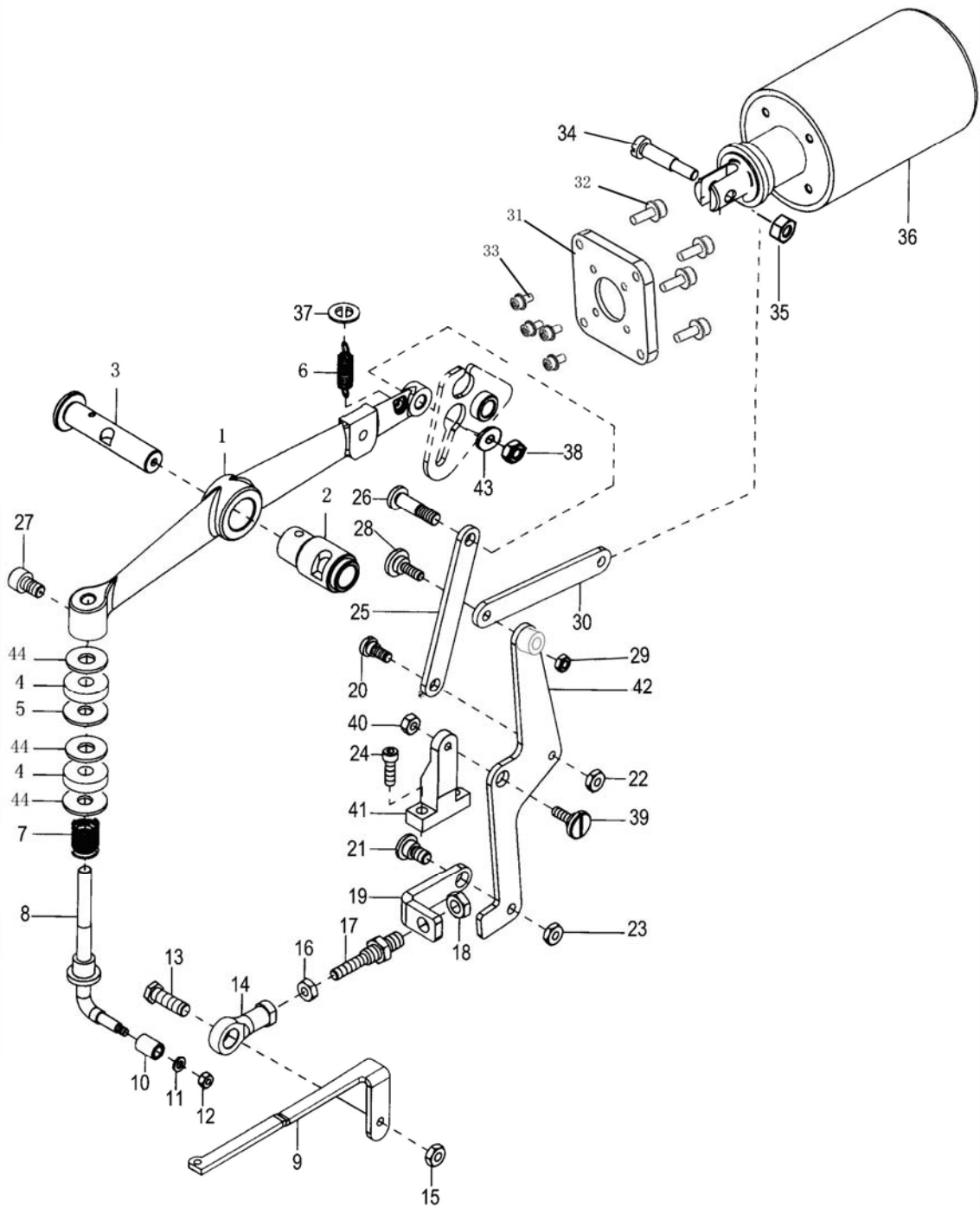
## 5. 送料盘部件 FEED PLATE COMPONENTS



## 5、送料盘部件/Feed plate components

序号	零件件号	名称	数量	DESCRIPTION
1	40915001	送料板	1	FEED PLATE SMALL BUTTON
2	409S12003	螺钉	2	SCREW 3/16-28 L=6
3	40909004	交叉送料滑块	1	INDICATOR PIN BEARING BLOCK
4	40912036	交叉送料指示板	1	CROSSWISE FEED INDICATOR
5	40903010	交叉送料轴承座	1	CROSSWISE FEED INDICATOR PIN
6	409S16012	螺母	1	NUT M=6
7	400110	滑板连接杆	1	SLIDE PLATE CONNECTING LINK
8	409S20015	轴位螺钉	1	HING SCREW D=6.35 H=4.8
9	409S30010	双头螺栓	1	STUD
10	400111	连接杆	1	INTERMEDI CONNECTING LINK
11	40937001	交叉送料刻度盘	1	CROSSWISE FEED GRADVATED PLATE
12	409S16013	螺母	1	NUT M5
13	40903012	送料凸轮滚子	3	CAM ROLL
14	409S11003	螺钉	2	SCREW
15	40912208	手柄	1	HANDLE AND INDICATOR SPRING
16	421S10005	螺钉M3×6	2	SCREW
17	409S30019	送料凸轮滚子螺栓	3	CAM ROLL SCREW STUD
18	401S14001	螺钉	3	SCREW M6×12
19	40912040	连接杆	1	SPACER PLATE
20	40901006	送料底板	1	FEED PLATE
21	400110	滑板连接杆	1	INTERMEDI CONNECTING LINK
22	409S20015	轴位螺钉	1	HING SCREW D=6.35 H=4.8
23	409S30012	交叉送料轴位螺钉	1	HING SCREW FOR CROSSWISE FEED
24	40904003	交叉送料调节杠杆	1	CROSSWISE FEED LEVER
25	R01002	铆钉	5	RIVET
26	40926010	杆销	1	FEED STUD A
27	40926010	杆销	1	FEED STUD B
28	40926010	杆销	1	FEED STUD C
32	401846	送料调杆滑块	1	LENGTHWISE FEED LEVER SLIDE
33	401847	送料调节杠杆左	1	FEED LEVER L
34	401848	送料调节杠杆右	1	FEED LEVER R
38	40912205	送料调节盘底座	1	PLATE BASE
39	40937010	刻度盘贴膜	1	GRADUATE PLATE
41	40912206	调节手柄	1	HANDLE AND INDICATOR SPRING
42	403S11027	螺钉	2	SCREW M4 L=6
45	40904004	调节手柄连接杆	1	INDICATOR SPRING CONNECTING LI
46	409S20016	轴位螺钉	2	SHOULDER SCREW D=6.35 H=9.7
47	40902022	凸轮轴	1	CAM SHAFT
48	40910019	十字纵向送料盘	1	LENGRHWAISE FEED CAM(X)
50	40903040	凸轮轴右套	1	CAM SHAFT BUSHING LEFT
51	40910006	交叉送料凸轮	1	FEED CAM ASM.
52	40910004	纵向送料凸轮（一字）	1	LENGRHWAISE FEED CAM(-)
53	409S20035	轴位螺钉	1	SHOULDER SCREW D=6.35 H=4.8
54	409S14005	螺钉	2	SCREW 9/32-28 L=13.5
58	40912087	垫圈	1	WASHER
59	40903039	凸轮轴右轴套	1	CAM SHAFT BUSHING RIGHT
60	409S14005	螺钉	5	SCREW 9/32-28 L=13.5
61	409S11005	螺钉	1	SCREW M5 L=8
63	40923015	油毡	1	FEED SHOULDER SCREW FELT
66	61910003	扎带（小）	3	CABLE BAND
68	40930007	磁铁	1	MAGNET
69	40930003	信号轮	1	SINGLE WHEEL
70	40912108	传感器安装座	1	HALL SWITCH HOLDER
71	40933008	感应器	1	Sensor
72	417S30033	螺栓（带垫圈）M4×8	2	SCREE
73	407S17003	十字沉头螺钉M3×4	1	SCREE
75	40903043	定位套	1	POSITONING SLEEVE
76	409S14003	螺钉	2	SCREW 1/4-40 L=5

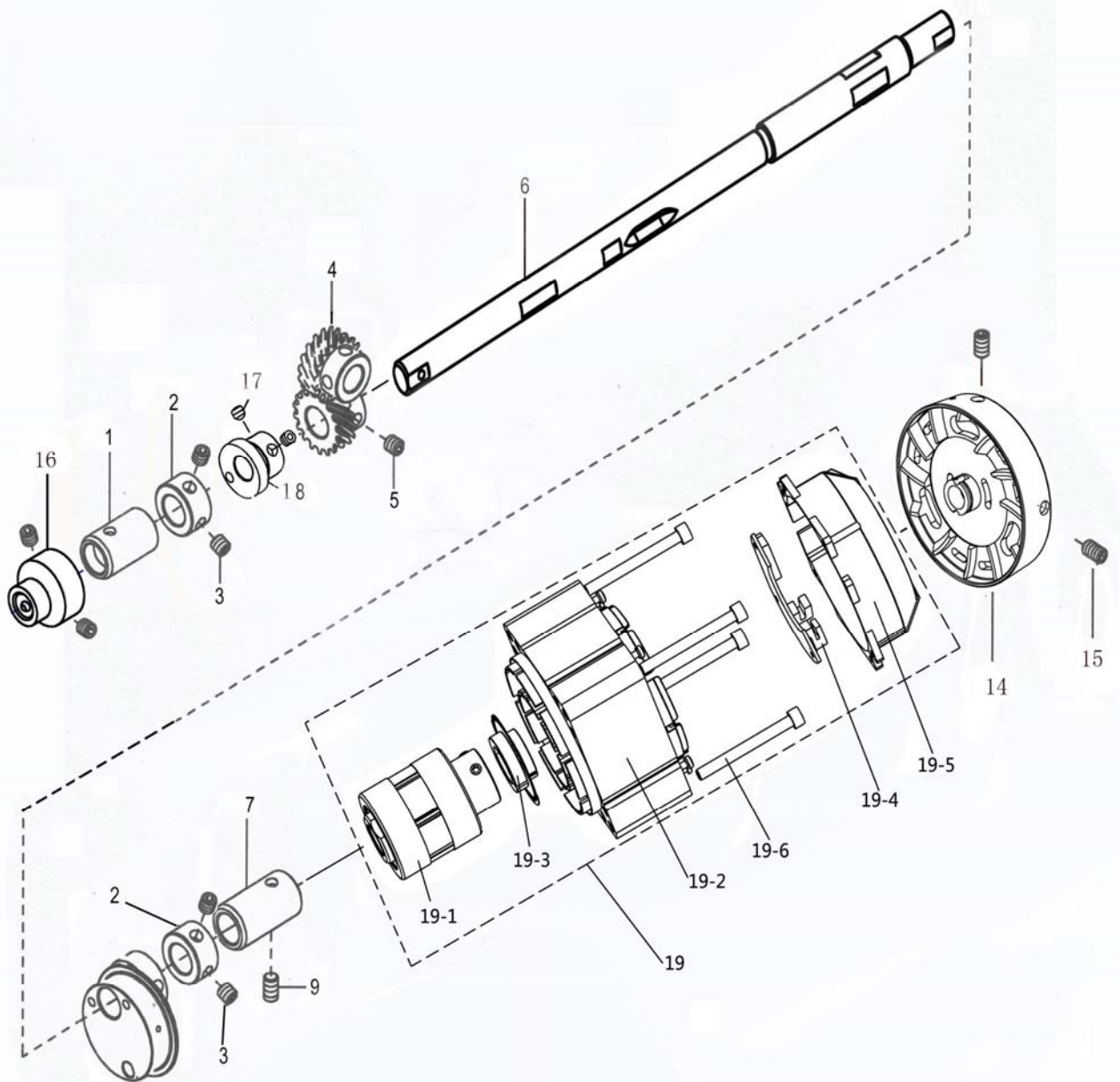
## 6. 钮钳提升机构部件 BUTTON CLAMP LIFTER COMPONENT



## 6、钮钳提升部件/Button clamp lifter components

序号	零件件号	名称	数量	DESCRIPTION
1	40901033	抬压杠杆	1	LIFTING LEVER
2	40903016	轴套	1	BUSHING
3	40902009	针棒杠杆轴	1	NDDELE BAR LEVER
4	40922001	橡胶垫	2	CUSHION
5	40928014	垫圈	2	WASHER 8.5×18.0×1.2
6	40927012	弹簧	1	SPRING
7	40927013	弹簧	1	SPRING
8	4090201100	钮钳提升杆钩	1	BUTTON CLAMP LIFTING ROD A
9	40912042	切线连杆	1	CONNECTING LINK FRONT
10	40903020	钮钳提升杆滚筒	1	L TYPE LIFTING BAR ROLLER
11	40928021	垫圈	1	WASHER
12	409S16014	螺母	1	NUT 9/64-40
13	L01002	螺钉	1	JOINT STUD
14	4030500500	切线连接球体	1	FEED ADJUSTING JOINT
15	N01004	螺母	2	NUT M5
16	N01004	螺母	2	NUT M5
17	409S30013	连接螺钉	1	CONNECTING SCREW
18	409S16015	螺母	2	NUT M8 TYPE1
19	40912089	后切线连接杆	1	CONNECTING LINK REAR
20	409S20036	轴位螺钉	1	HINGE SCREW D=6.35 H=3.2
21	409S20037	轴位螺钉	1	HINGE SCREW D=7.94 H=4
22	409S16013	螺母	1	NUT 3/16-32
23	401S16002	螺母	1	NUT 15/64-28
24	40912044	切线杠杆	1	THREAD TRIMMING LEVER
24	409S11021	螺钉	2	SCREW M5 L=14
25	40912090	切线连杆	1	THREAD TRIMMING LINK
26	409S20023	轴位螺钉	1	HINGE SCREW D=6.35 H
27	S05023	螺钉	1	SCREW M6 L=10
28	409S20038	轴位螺钉	1	HINGE SCREW D=6.35 H
29	401S16002	螺母	1	NUT 3/16-32
30	40912091	电磁铁连杆	1	MAGNET CONNECT POLE
31	40912092	电磁铁安装板	1	MAGNET HOLEDER
32	417S30306	带弹垫螺钉M5X15	4	SCREW M5 L=15
33	417S30033	螺栓（带垫圈）M4×8	4	SCREW M4 L=8
34	409S20039	电磁铁销钉	1	PIN
35	413S16003	螺母M4	2	NUT M4
36	40930005	电磁铁	1	ELECTROMAGNET
37	40912032	垫圈	1	WASHER
38	401S16002	螺母	1	NUT
39	409S20040	轴位螺钉	1	SHOULDER SCREW D=7.94 H=3.1
40	401S16002	螺母	1	NUT M5
41	40901036	切线杠杆座	1	THREAD TRIMMING LEVER BASE
42	4091210000	连杆	1	CRANK ROD
43	40128034	垫圈	1	WASHER
44	40928022	垫圈	2	WASHER

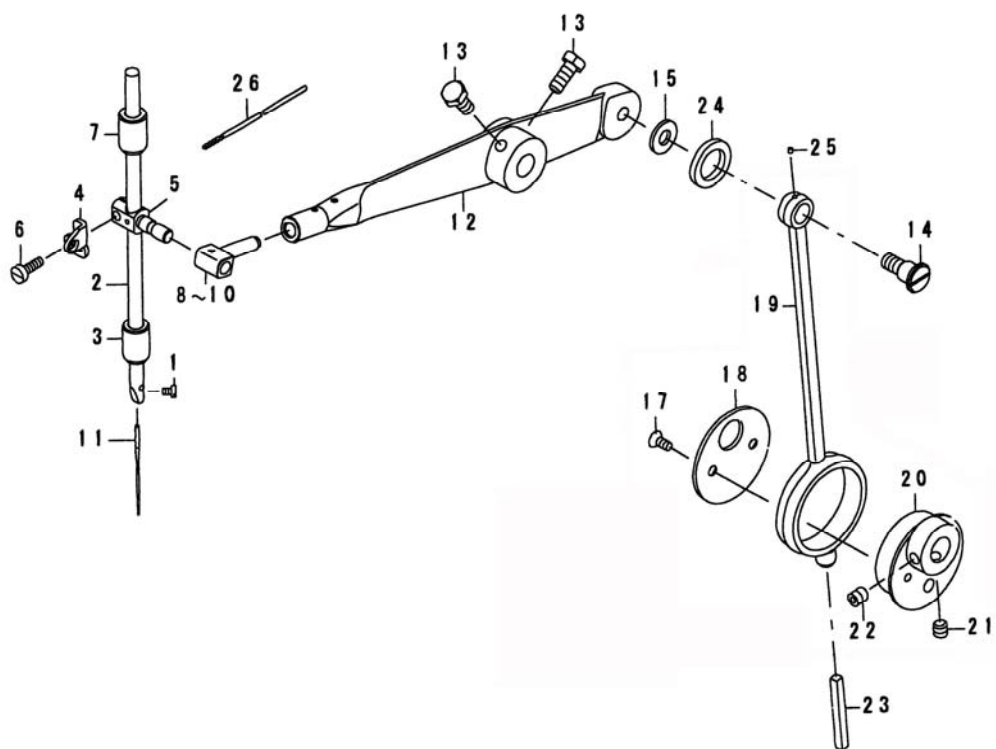
## 7.推針滑輪軸部件/Needle driving pulley shaft components



## 7、推针滑轮轴部件/Needle driving pulley shaft components

序号	零件件号	名称	数量	DESCRIPTION
1	40903034	滑轮轴左套	1	PULLEY SHAFT BUSHING LEFT
2	40603020	挡圈	2	THRUST COLLAR
3	403S14004	螺钉	2	SCREW M6
4	40925004	滑轮轴齿轮	1	DRIVING GEAR(A) ASM.
5	409S14001	螺钉	2	SCREW 1/4-40 L=6
6	40902051	滑轮轴	1	NEEDLE DRIVING PULLEY SHAFT
7	40903024	滑轮轴右套	1	PULLEY SHAFT BUSHING RIGHT
9	401S14001	螺钉	1	SCREW
10	1383300400	电机转子组件	1	Rotor components
11	1383300900	电机光栅组件	1	Gratings components
12	13833003	电机定子总成	1	Stator components
13	1383300700	电机罩壳组件	1	Motor cover components
14	302443	手轮	1	PULLEY
15	403S14004	螺钉M6	2	SCREW M6
16	40910021	平衡凸轮	1	BALANCE CAM
17	409S14003	螺钉	2	SCREW
18	40910020	偏心轮	1	ECCENTRIC CAM
19	40933004	电机组件	1	Motor
19-1	40933010	定子	1	Stator components
19-2	40933011	转子	1	Rotor components
19-3	40933012	光栅片	1	Gratings components
19-4	40933013	电机编码器	1	Encoder
19-5	40911020	电机罩壳	1	Motor cover components
19-6	409S17003	长螺钉	4	Screw M5×55

## 8. 针杆驱动部件 NEEDLE BAR DRIVING MECHANISM COMPONENTS

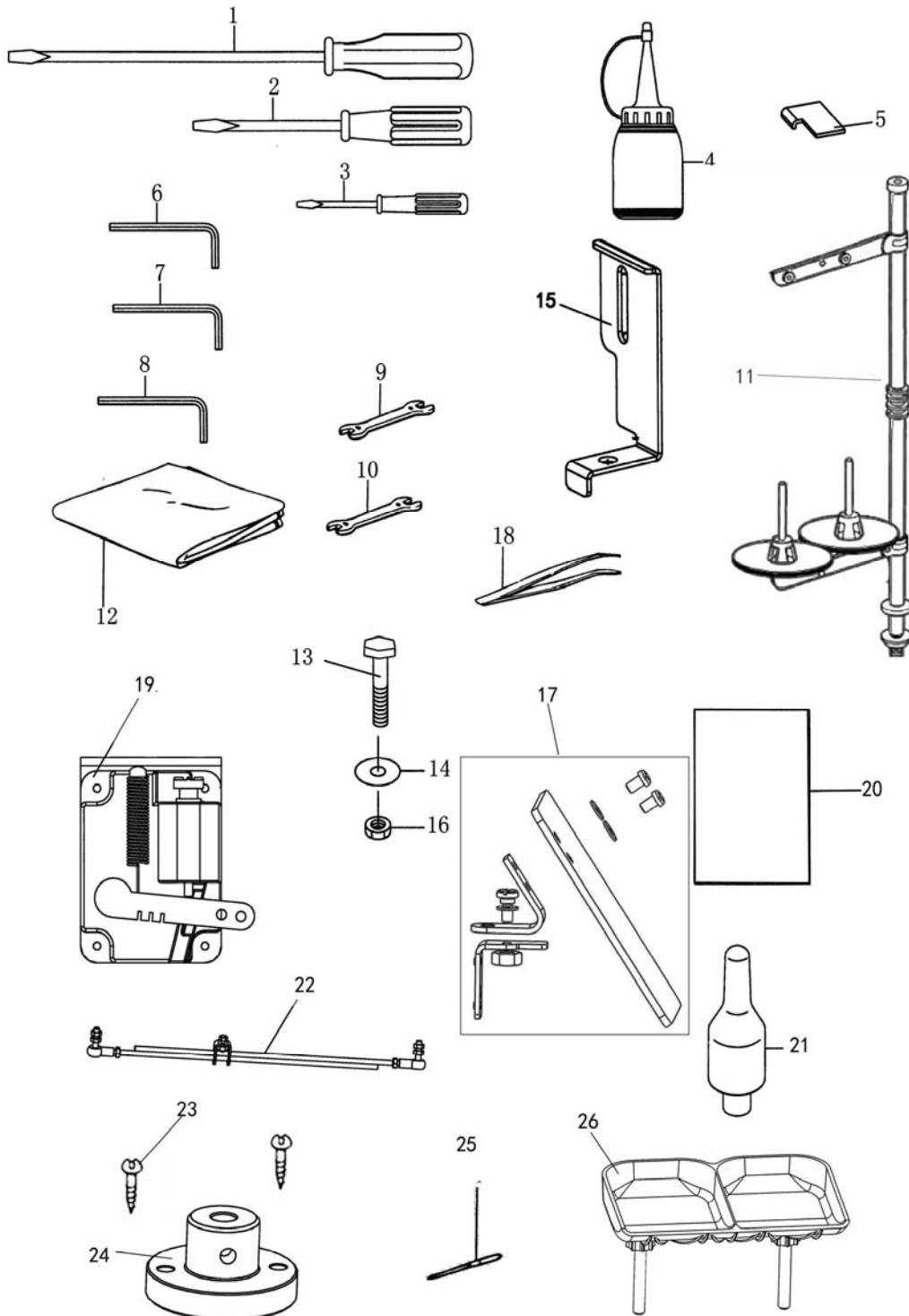


## 8、针杆驱动机构部件/Needle bar driving mechanism components

序号	零件件号	名称	数量	DESCRIPTION
1	101S11006	螺钉	1	SCREW 1/8-44 L=4.5
2	40902027	针杆	1	NEEDLE ROD
3	40903026	针杆下套	1	NEEDLE BAR BUSHING LOWER
4	40913013	导线	1	NEEDLE BAR BALACE
5	40909017	针棒轴衬座	1	NEEDLE BAR CLAMP
6	409S11024	螺钉	1	SCREW M4 L=12
7	40903035	针杆上套	1	NEEDLE BAR BUSHING UPPER
8	40909016	针杆轴承座	1	NEEDLE BAR SLIDE BLOCK A
9	-----	针杆轴承座	1	NEEDLE BAR SLIDE BLOCK B
10	-----	针杆轴承座	1	NEEDLE BAR SLIDE BLOCK C
11	41017001	机针	1	NEEDLE TQ×1 #16
12	40905007	针杆杠杆	1	NEEDLE BAR DRIVING LEVER
13	L02008	螺钉	2	SCREW M6 L=14
14	409S20025	轴位螺钉	1	SHOULDER SCREW D=9.53 H=8
15	40928013	垫圈	1	WASHER
16	-----	连杆组件	1	CRANK ROD ASM.
17	409S11009	螺钉	2	SCREW 11/64-40 L=8.5
18	40912046	盖板	1	THRUST HOLDER
19	40905009	连杆	1	CRANK ROD
20	40910009	偏心轮	1	ECCENTRIC CAM
21	40910009	螺钉	1	SCREW 1/4-40 L=6
22	409S14001	螺钉	1	SCREW 1/4-40 L=8.5
23	40923008	油线	1	OIL WICK
24	40923014	油毡	1	OIL RETAINNING FELT
25	40923008	油线	0.01	OIL WICK
26	40923008	油线	0.1	OIL WICK



# 11. 附件组件 ACCESSORY PARTS COMPONENTS



9、附件组件/Accessory parts components				
序号	零件件号	名称	数量	DESCRIPTION
1	10131002	螺丝刀 (大)	1	SCREW DRIVER LARGE
2	10131003	螺丝刀 (中)	1	SCREW DRIVER MIDDLE
3	10131004	螺丝刀 (小)	1	SCREW DRIVER SMALL
4	20131038	小油壶 (尖嘴)	1	OILER
5	40931019	定位尺	1	GAUGE
6	30131010	内六角扳手 (3mm)	1	INNER WERNCH 3mm
7	30131012	内六角扳手 (4mm)	1	INNER WERNCH 4mm
8	20131047	内六角扳手 (5mm)	1	INNER WERNCH 5mm
9	30131006	扳手 (8mm~10mm)	1	Wrench 8mm~10mm
10	40931025	扳手 (9mm-11mm)	1	Wrench 9mm~11mm
11	40931031	单盘线架	1	COTTON STAND ASSY 2DTHF
12	10131005	机头罩	1	MACHINE COVER
13	40931009	M6×70 螺钉	4	SCREW M6 L=70
14	40128013	垫圈 6.2×13×1	4	WASHER 6.2×13×1
15	40912024	针杆护罩	1	NDDELE BAR GUARD
16	N01007	螺母 M6	4	NUT M6
17	409s11008	螺钉	2	SCREW
	402s20032	轴位螺钉	1	SHOULDER SCREW
	40912020	安全板安装座	1	THE MOUNTING SEAT
	40928002	垫圈	2	WASHER
	40112008	安全板安装板	1	SAFETY BOARD MOUNTING PLATE
	40128029	弹簧垫圈 Ø8	4	SPRING WASHER
	401s16003	螺帽	1	NUT
	40911006	安全板	1	SAFETY BOARD
18	20131051	镊子	1	TWEEZERS
19	40933007	脚踏板	1	Pedals
20	40931028	说明书	1	INSTRUCTION MANUAL & PARTS LIST
21	40931021	支撑杆	1	SUPPORT
22	40931044	脚踏连杆	1	Foot link
23	403s30020	十字沉头螺钉	2	SCREW
24	300941	纽扣盘固定座	1	BUTTON TRAY BASE
25	41017001	TQ*1 16#机针	3	NEEDLE TQ×7#16-12
26	300941	纽扣盘固定座	1	BUTTON TRAY BASE