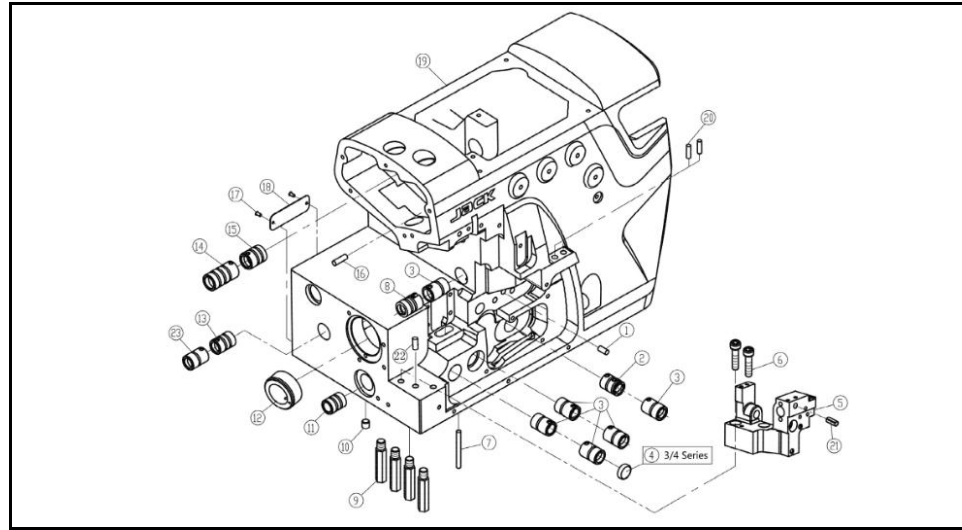
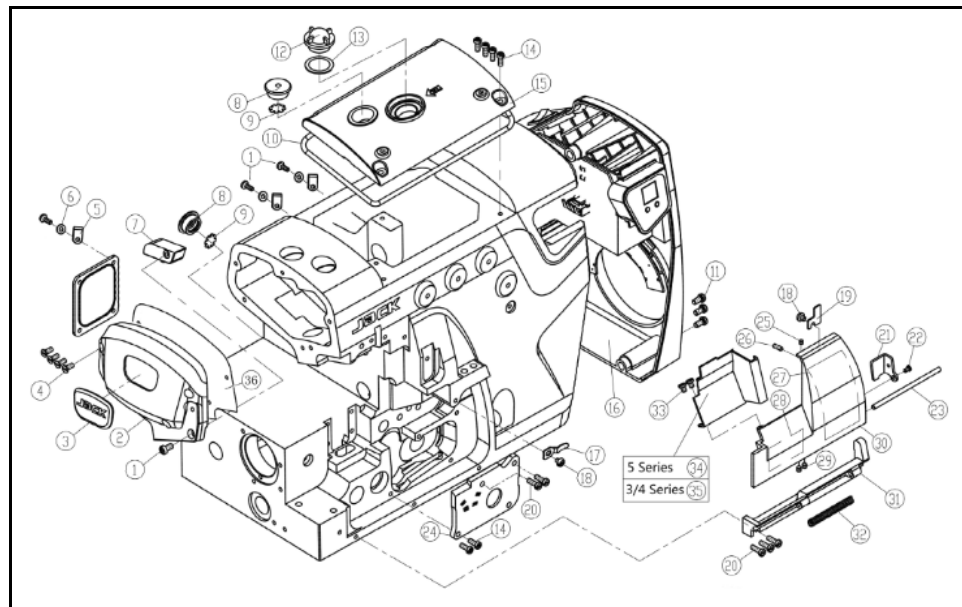


E4



一、机壳部分/Machine Bed Frame

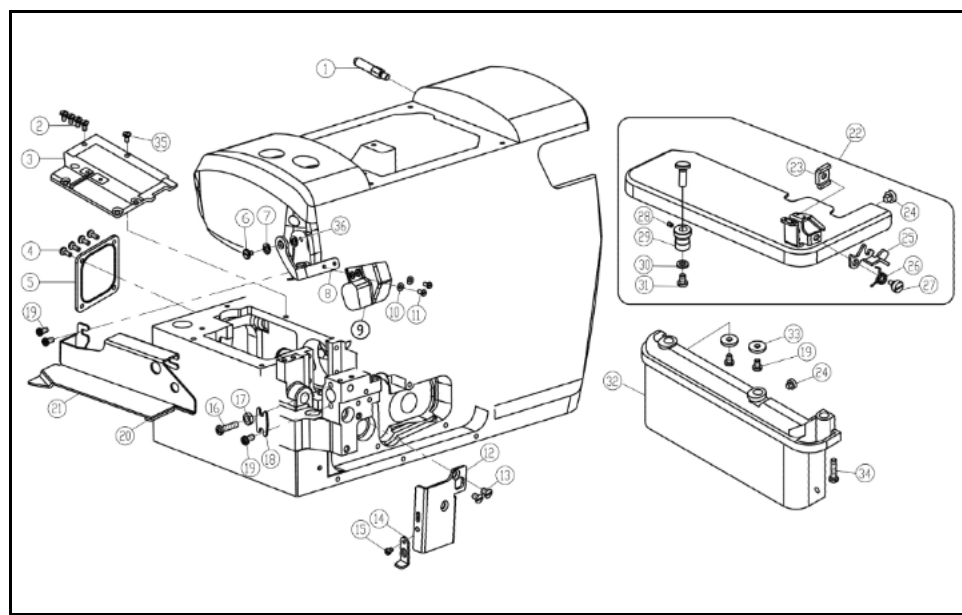
| 序号 NO. | 公司件号 Part NO. | 名称 PartName | 零件描述 Description | 数量 (Number) | | |
|--------|---------------|-------------|----------------------|------------------|-----------------|-----------------|
| | | | | 三线程 three-thread | 四线程 four-thread | 五线程 five-thread |
| 1 | P03017 | 销5×10 | Pin | 1 | 1 | 1 |
| 2 | 20703070 | 上弯针后轴套(粉末) | Sleeve | 1 | 1 | 1 |
| 3 | 20703063 | 上刀轴右套(粉末) | Sleeve | 4 | 4 | 6 |
| 4 | 20628023 | 送布轴油封 | Plug | 1 | 1 | 0 |
| 5 | 20701002 | 下刀架 | Bracket Assembly | 1 | 1 | 1 |
| 6 | 207S13003 | 螺钉M6×25 | Screw | 2 | 2 | 2 |
| 7 | P03018 | 销4×40 | Pin | 1 | 1 | 1 |
| 8 | 20703004 | 上刀轴左套 | Sleeve | 1 | 1 | 1 |
| 9 | 206S30001 | 支柱 | Bed pin | 4 | 4 | 4 |
| 10 | 20126001 | 工艺孔销 | Pin | 1 | 1 | 1 |
| 11 | 30103102 | 差动轴套 | Sleeve | 1 | 1 | 1 |
| 12 | 20703007 | 主轴轴套 | Sleeve | 1 | 1 | 1 |
| 13 | 20703062 | 送布右轴套(粉末) | Sleeve | 1 | 1 | 1 |
| 14 | 20703067 | 上轴左套(粉末) | Sleeve | 1 | 1 | 1 |
| 15 | 20703065 | 上轴右套(粉末) | Sleeve | 1 | 1 | 1 |
| 16 | P03010 | 销5×16 | Pin | 1 | 1 | 1 |
| 17 | R03001 | 铆钉 | Screw | 2 | 2 | 2 |
| 18 | 20737003 | 机型牌 | Machine Model Plate | 1 | 1 | 1 |
| 19 | 302742 | 机壳(喷漆) | Machine Bed Complete | 1 | 1 | 1 |
| 20 | 20113013 | 穿线管 | Pipe | 2 | 2 | 2 |
| 21 | P03019 | 开口销 | Pin | 1 | 1 | 1 |
| 22 | 20726018 | 下刀架定位销 | Pin | 1 | 1 | 1 |
| 23 | 20703073 | 上刀轴右套 | Pin | 1 | 1 | 1 |



二、机壳机罩部件(1)/Cover(1)

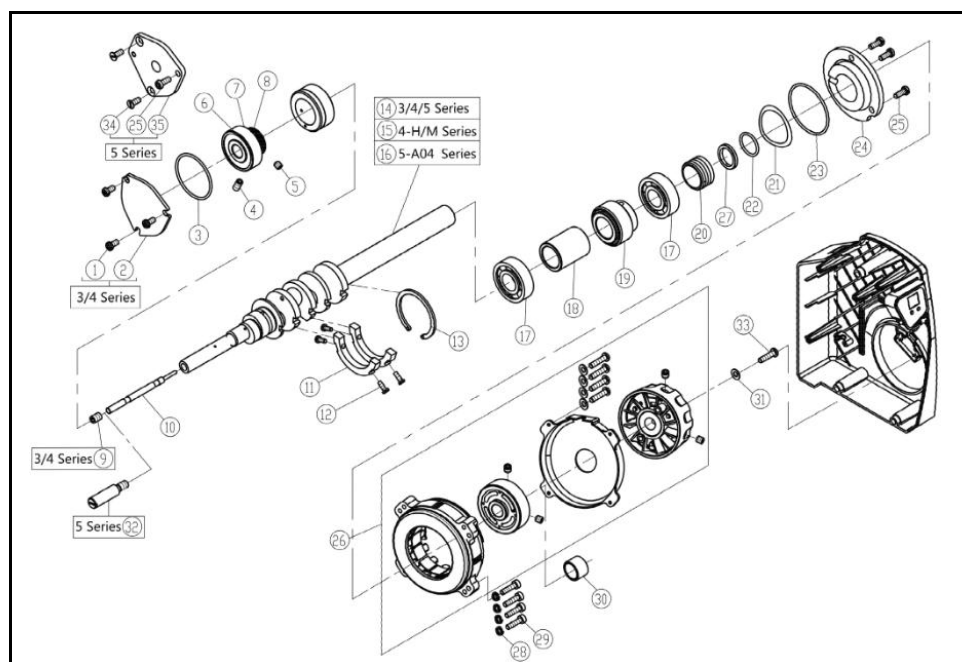
| 序号 NO. | 公司件号 Part NO. | 名称 PartName | 零件描述 Description | 数量 (Number) | | |
|--------|---------------|-------------|---------------------|------------------|-----------------|-----------------|
| | | | | 三线程 three-thread | 四线程 four-thread | 五线程 five-thread |
| 1 | 207S11007 | 螺钉 | Screw | 3 | 3 | 3 |
| 2 | 302782 | 侧盖 | Side Cover | 1 | 1 | 1 |
| 3 | 13837002 | 铭牌 | Machine Model Plate | 1 | 1 | 1 |
| 4 | 207S11012 | 螺钉M4×10 | Screw | 4 | 4 | 4 |
| 5 | 20711210 | R型线夹 | R thread clamp | 3 | 3 | 2 |
| 6 | 20612062 | 小垫片 | Washer | 3 | 3 | 2 |
| 7 | 2123000300 | LED灯组件 | LED ASSY | 1 | 1 | 1 |
| 8 | 21022007 | 油封 | Oil Seal | 2 | 2 | 2 |
| 9 | 21012018 | 油封垫 | Oil Seal washer | 2 | 2 | 2 |
| 10 | 21122001 | 密封胶 | Gasket | 1 | 1 | 1 |
| 11 | 207S11026 | 螺钉M6×16 | Screw | 3 | 3 | 3 |
| 12 | 20711055 | 油标盖 | Oil sight window | 1 | 1 | 1 |
| 13 | 21022003 | 油标盖垫 | Washer | 1 | 1 | 1 |
| 14 | 207S11012 | 螺钉M4×10 | Screw | 6 | 6 | 6 |
| 15 | 302706 | 上盖 | Top Cover | 1 | 1 | 1 |
| 16 | 21230001 | 控制器 | Controller | 1 | 1 | 1 |
| 17 | 20612004 | 前罩板卡簧 | Flat Spring | 1 | 1 | 1 |
| 18 | S01031 | 螺钉M4×4.7 | Screw | 2 | 2 | 2 |
| 19 | 20712003 | 锁紧板 | Latch | 1 | 1 | 1 |
| 20 | 207S11008 | 螺钉M4×12 | Screw | 5 | 5 | 5 |
| 21 | 20712002 | 锁紧板 | Latch | 1 | 1 | 1 |
| 22 | 207S11009 | 螺钉M3×2.5 | Screw | 1 | 1 | 1 |
| 23 | 20626001 | 铰链销 | Pin | 1 | 1 | 1 |
| 24 | 20712005 | 前盖板 | Side Cover | 1 | 1 | 1 |
| 25 | 207S11003 | 螺钉M3×4 | Screw | 1 | 1 | 1 |

| | | | | | | |
|----|-----------|---------|--------------------|---|---|---|
| 26 | 207S14002 | 螺钉M3×12 | Screw | 1 | 1 | 1 |
| 27 | xxxxxxx | 穿线图 | Threading diagram | 1 | 1 | 1 |
| 28 | xxxxxxx | 穿线图 | Threading diagram | 0 | 0 | 1 |
| 29 | S09103 | 螺钉M4×4 | Screw | 2 | 2 | 2 |
| 30 | 302780 | 右前盖 | Front Cover(right) | 1 | 1 | 1 |
| 31 | 20701006 | 铰链 | Hinge | 1 | 1 | 1 |
| 32 | 20627001 | 铰链弹簧 | Spring | 1 | 1 | 1 |
| 33 | 207S11011 | 螺钉M4×5 | Screw | 2 | 2 | 2 |
| 34 | 21112011 | 左前盖 | Front Cover(left) | 0 | 0 | 0 |
| 35 | 21112009 | 左前盖 | Front Cover(left) | 1 | 1 | 1 |
| 36 | 21222001 | 侧盖密封垫 | Washer | 1 | 1 | 1 |



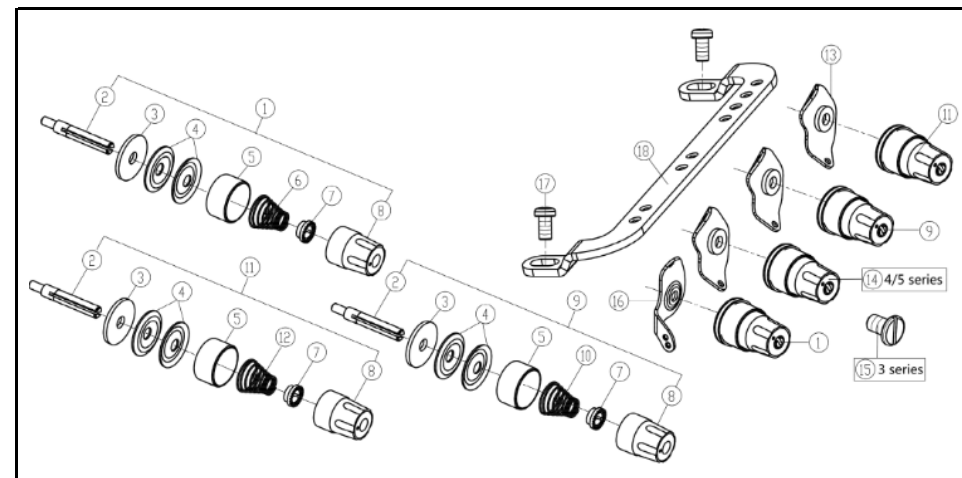
三、机壳机罩部件(2)/Cover(2)

| 序号 NO. | 公司件号 Part NO. | 名称 PartName | 零件描述 Description | 数量 (Number) | | |
|--------|---------------|-------------|-----------------------|------------------|-----------------|-----------------|
| | | | | 三线程 three-thread | 四线程 four-thread | 五线程 five-thread |
| 1 | 21212010 | 支撑件 | Strutting Piece | 1 | 1 | 1 |
| 2 | 207S12001 | 螺钉M4×8 | Screw | 4 | 4 | 4 |
| 3 | 21101001 | 左上盖 | Bed Cover Plate Assy. | 1 | 1 | 1 |
| 4 | S01005 | 螺钉M4×10 | Screw | 4 | 4 | 4 |
| 5 | 2111202100 | 后盖板 | Cover Plate | 1 | 1 | 1 |
| 6 | 207S20002 | 螺钉M4 | Screw | 1 | 1 | 1 |
| 7 | 20128015 | 垫圈 | Washer | 1 | 1 | 1 |
| 8 | 21212008 | 托架 | Bracket | 1 | 1 | 1 |
| 9 | 21111004 | 防护罩 | Eye Guide | 1 | 1 | 1 |
| 10 | W01011 | 垫圈3 | Washer | 2 | 2 | 2 |
| 11 | 207S11015 | 螺钉M3×6 | Screw | 2 | 2 | 2 |
| 12 | 20712008 | 挡板 | Plate | 1 | 1 | 1 |
| 13 | 207S17003 | 螺钉M4×7.5 | Screw | 2 | 2 | 2 |
| 14 | 20612016 | 下刀架前垫板 | Latch | 1 | 1 | 1 |
| 15 | 207S11014 | 螺钉M3.5×4.5 | Screw | 1 | 1 | 1 |
| 16 | 207S11016 | 螺钉M4×16 | Screw | 1 | 1 | 1 |
| 17 | N01001 | 螺母M4 | Nut | 1 | 1 | 1 |
| 18 | 20712022 | 挡板 | Plate | 1 | 1 | 1 |
| 19 | 207S11007 | 螺钉M4×7.5 | Screw | 5 | 5 | 5 |
| 20 | 20722016 | 支撑垫 | Cushion | 1 | 1 | 1 |
| 21 | 20712010 | 布料挡板 | Fabric Guide | 1 | 1 | 1 |
| 22 | 2121201300 | 缝组件 | Cloth Plate | 1 | 1 | 1 |
| 23 | 20612009 | 前盖板固定块 | Bracket | 1 | 1 | 1 |
| 24 | 20622003 | 减振垫 | Cushion Rubber | 2 | 2 | 2 |
| 25 | 20627002 | 缝台簧 | Lever | 1 | 1 | 1 |
| 26 | 20627003 | 扭簧 | Spring | 1 | 1 | 1 |
| 27 | 206S20006 | 螺钉M4 | Screw | 1 | 1 | 1 |
| 28 | 207S14007 | 螺钉M4×6 | Screw | 1 | 1 | 1 |
| 29 | 20603016 | 套筒 | Bushing | 1 | 1 | 1 |
| 30 | W02004 | 止动垫圈6 | Washer | 1 | 1 | 1 |
| 31 | 207S11011 | 螺钉M4×5 | Screw | 1 | 1 | 1 |
| 32 | 21111060 | 侧盖组件 | Side Cover(Wide) | 1 | 1 | 1 |
| 33 | 20528017 | 垫片 | Washer | 2 | 2 | 2 |
| 34 | 207S11013 | 螺钉M4×17.5 | Screw | 1 | 1 | 1 |
| 35 | 212S12001 | 螺钉 | Screw | 1 | 1 | 1 |
| 36 | 20612062 | 油管螺钉垫片 | Washer | 1 | 1 | 1 |



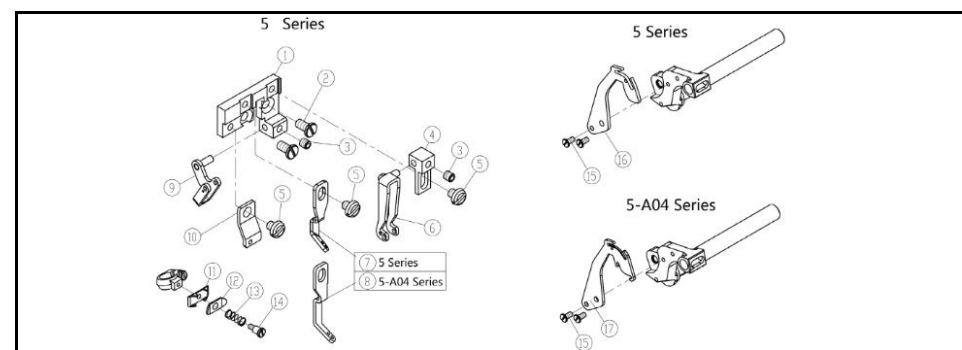
四、主轴部件/Crankshaft Drive Mechanism

| 序号 NO. | 公司件号 Part NO. | 名称 PartName | 零件描述 Description | 数量 (Number) | | |
|--------|---------------|-------------|--------------------|------------------|-----------------|-----------------|
| | | | | 三线程 three-thread | 四线程 four-thread | 五线程 five-thread |
| 1 | 207S11007 | 螺钉M4×7.5 | Screw | 3 | 3 | 0 |
| 2 | 20712013 | 前轴承盖 | Cover | 1 | 1 | 0 |
| 3 | 20722027 | O型圈40×2 | O Ring | 1 | 1 | 1 |
| 4 | 207S11041 | 螺钉M5×10 | Screw | 1 | 1 | 1 |
| 5 | 207S11042 | 螺钉M5×5 | Screw | 1 | 1 | 1 |
| 6 | 001037 | O型圈30×1.2 | O Ring | 2 | 2 | 2 |
| 7 | B04004 | 轴承6202LB | Ball Bearing | 1 | 1 | 1 |
| 8 | 20725001 | 棘轮 | Ratchet | 1 | 1 | 1 |
| 9 | 207S11047 | 螺钉M6 | Screw | 1 | 1 | 0 |
| 10 | 20726002 | 销 | Pin | 1 | 1 | 1 |
| 11 | 20709035 | 平衡块 | Balance Weight | 2 | 2 | 2 |
| 12 | 207S11017 | 螺钉M3×8 | Screw | 4 | 4 | 4 |
| 13 | 20729001 | 卡簧 | Ring | 1 | 1 | 1 |
| 14 | 21102025 | 主轴 | Crankshaft | 1 | 1 | 1 |
| 15 | 21102026 | 主轴 | Crankshaft | 0 | 1 | 0 |
| 16 | 21102027 | 主轴 | Crankshaft | 0 | 0 | 1 |
| 17 | B01005 | 轴承6203Z | Ball Bearing | 2 | 2 | 2 |
| 18 | 20708020 | 轴套 | Spacer | 1 | 1 | 1 |
| 19 | 20725008 | 蜗杆 | Worm | 1 | 1 | 1 |
| 20 | 21203003 | 主轴中轴套 | Oil Seal | 1 | 1 | 1 |
| 21 | W03003 | 垫圈32 | Washer | 1 | 1 | 1 |
| 22 | 21222003 | O型圈14.5x2.5 | O Ring | 1 | 1 | 1 |
| 23 | 001028 | O型圈41×1.8 | O Ring | 1 | 1 | 1 |
| 24 | 20708015 | 后轴承盖 | Rigth Cover | 1 | 1 | 1 |
| 25 | 207S11012 | 螺钉M4×10 | O Ring | 3 | 3 | 4 |
| 26 | 2123300100 | 无壳电机 | Direct drive motor | 1 | 1 | 1 |
| 27 | 21228002 | 垫片 | Sleeve | 1 | 1 | 1 |
| 28 | W03002 | 波形垫片 | Washer | 4 | 4 | 4 |
| 29 | 114S13001 | 螺钉M5×25 | Screw | 4 | 4 | 4 |
| 30 | 21203004 | 主轴挡圈 | Sleeve | 1 | 1 | 1 |
| 31 | 21228001 | 垫片 | Washer | 1 | 1 | 1 |
| 32 | 20602002 | 主轴接轴 | Pin | 0 | 0 | 1 |
| 33 | 207S11026 | 螺钉M6×16 | Screw | 1 | 1 | 1 |
| 34 | 207S17001 | 螺钉M4×10 | Screw | 0 | 0 | 2 |
| 35 | 20712046 | 前轴承盖 | Pin | 0 | 0 | 1 |



五、夹线部件/Thread Tension Mechanism

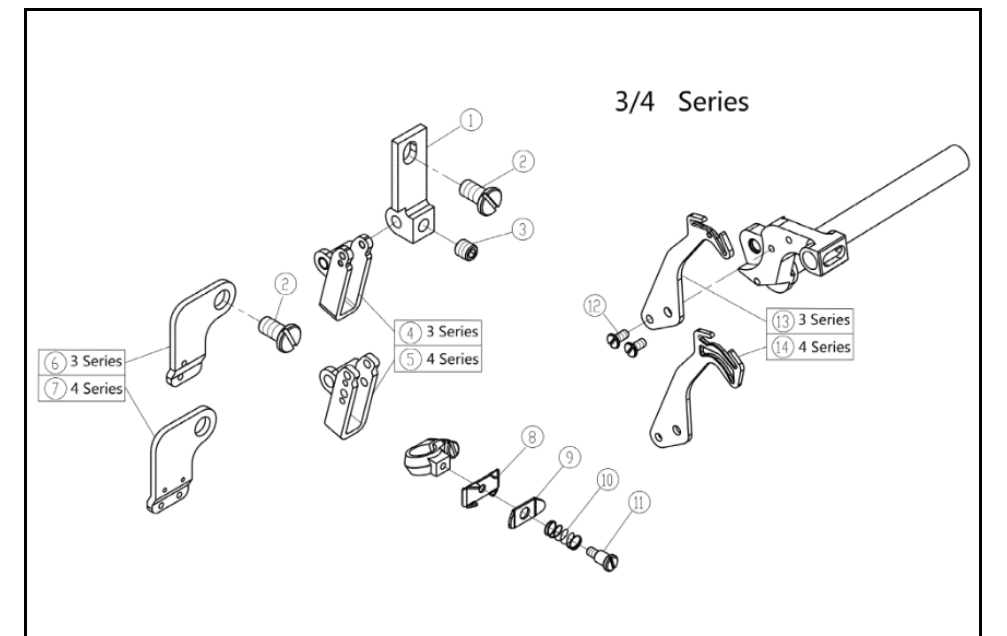
| 序号 NO. | 公司件号 Part NO. | 名称 PartName | 零件描述 Description | 数量 (Number) | | |
|--------|---------------|-------------|-------------------------|------------------|-----------------|-----------------|
| | | | | 三线程 three-thread | 四线程 four-thread | 五线程 five-thread |
| 1 | 2111300500 | 夹线器组件(红点) | Tension Spring Assembly | 1 | 1 | 1 |
| 2 | 201S30016 | 夹线螺钉 | Screw Stud | 3 | 4 | 4 |
| 3 | 20623008 | 夹线片垫 | Felt | 3 | 4 | 4 |
| 4 | 400161 | 夹线片 | Tension Disc | 6 | 8 | 8 |
| 5 | 30111005 | 调压止动盖 | Cup | 3 | 4 | 4 |
| 6 | 30127011 | 调压簧 | Spring | 1 | 2 | 2 |
| 7 | 30111006 | 调压止动套 | Ratchet | 3 | 4 | 4 |
| 8 | 301S16006 | 调压螺母 | Knob | 3 | 4 | 4 |
| 9 | 2111300600 | 夹线器组件(蓝点) | Tension Spring Assembly | 1 | 1 | 1 |
| 10 | 30127012 | 调压簧(中) | Spring | 1 | 1 | 1 |
| 11 | 2111300700 | 夹线器组件(绿点) | Tension Spring Assembly | 1 | 1 | 1 |
| 12 | 30127013 | 调压簧(弱) | Spring | 1 | 1 | 1 |
| 13 | 21113003 | 前过线板 | Tension Guide | 2 | 3 | 3 |
| 14 | 2111300800 | 夹线器组件(黄点) | Tension Spring Assembly | 0 | 1 | 1 |
| 15 | 206S11005 | 螺钉M11/64×40 | Screw | 1 | 0 | 0 |
| 16 | 20712032 | 过线板 | Thread Guide | 1 | 1 | 1 |
| 17 | 207S11007 | 螺钉M4×7.5 | Screw | 2 | 2 | 2 |
| 18 | 21213011 | 过线板 | Thread Guide | 1 | 1 | 1 |



六、过线机构(1)/Thread Guide and Thread Takeup(1)

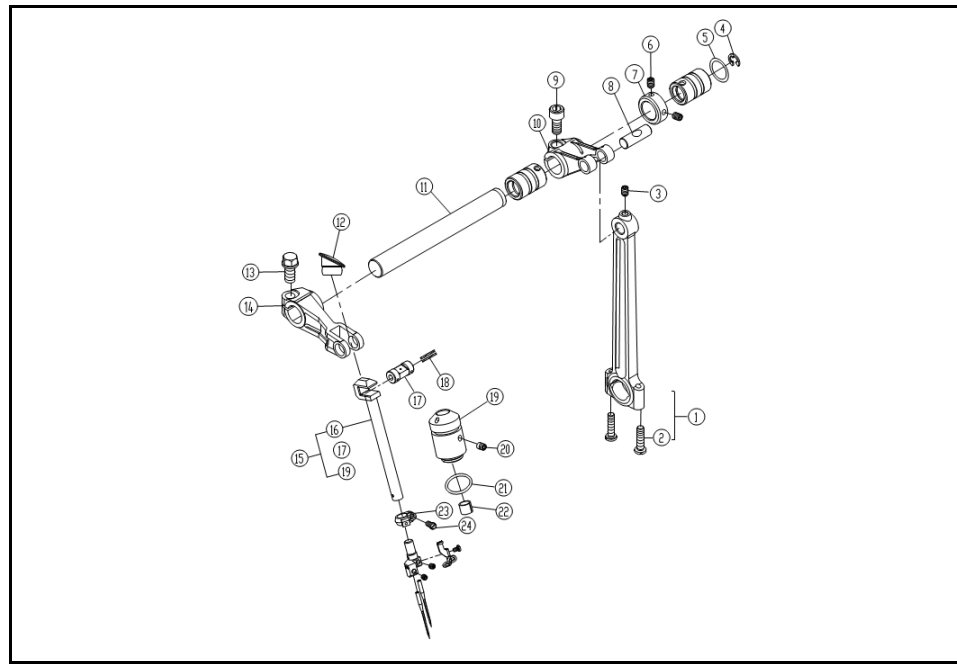
| 序号 NO. | 公司件号 Part NO. | 名称 PartName | 零件描述 Description | 数量 (Number) | | |
|--------|---------------|-------------|------------------|------------------|-----------------|-----------------|
| | | | | 三线程 three-thread | 四线程 four-thread | 五线程 five-thread |
| 1 | 21101012 | 托架 | Bracket | 0 | 0 | 1 |
| 2 | 207S11019 | 螺钉M4×7.5 | Screw | 0 | 0 | 2 |
| 3 | S09103 | 螺钉M4×4 | Screw | 0 | 0 | 2 |
| 4 | 20701030 | 托架 | Bracket | 0 | 0 | 1 |
| 5 | S01031 | 螺钉M4×4.7 | Screw | 0 | 0 | 3 |
| 6 | 2111301000 | 过线 | Thread Guide | 0 | 0 | 1 |
| 7 | 21213007 | 过线 | Thread Guide | 0 | 0 | 1 |

| | | | | | | |
|----|-----------|--------|-----------------|---|---|---|
| 8 | 21213010 | 过线 | Thread Guide | 0 | 0 | 1 |
| 9 | 20713021 | 过线 | Thread Guide | 0 | 0 | 1 |
| 10 | 21213004 | 过线 | Thread Guide | 0 | 0 | 1 |
| 11 | 20713006 | 托架 | Bracket | 0 | 0 | 1 |
| 12 | 20713007 | 压线板 | Thread Retainer | 0 | 0 | 1 |
| 13 | 20727002 | 压簧 | Spring | 0 | 0 | 1 |
| 14 | 207S20003 | 螺钉 | Screw | 0 | 0 | 1 |
| 15 | 207S11015 | 螺钉M3×6 | Screw | 0 | 0 | 2 |
| 16 | 21213008 | 挑线杆 | Thread Takeup | 0 | 0 | 1 |
| 17 | 21213012 | 挑线杆 | Thread Takeup | 0 | 0 | 1 |



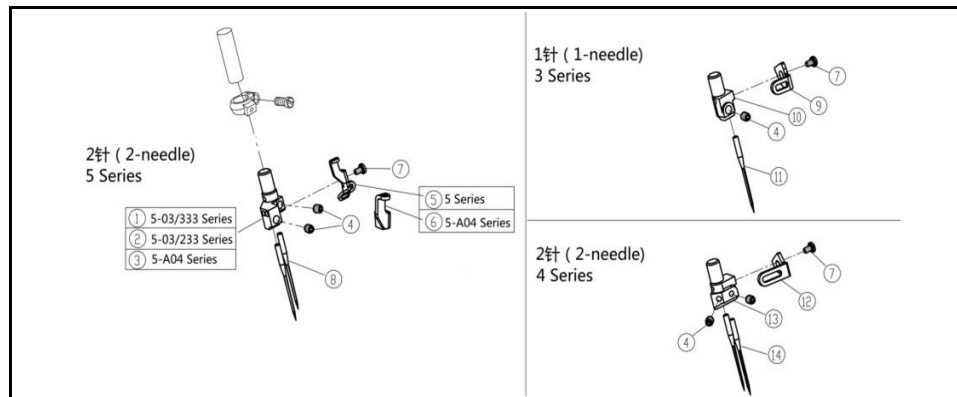
七、过线机构(2)/Thread Guide and Thread Takeup(2)

| 序号 NO. | 公司件号 Part NO. | 名称 PartName | 零件描述 Description | 数量 (Number) | | |
|--------|---------------|-------------|------------------|------------------|-----------------|-----------------|
| | | | | 三线程 three-thread | 四线程 four-thread | 五线程 five-thread |
| 1 | 21212015 | 托架 | Bracket | 1 | 1 | 0 |
| 2 | 207S11019 | 螺钉M4×4.7 | Screw | 2 | 2 | 0 |
| 3 | S09103 | 螺钉M4×4 | Screw | 1 | 1 | 0 |
| 4 | 20713002 | 过线 | Thread Guide | 1 | 0 | 0 |
| 5 | 20713003 | 过线 | Thread Guide | 0 | 1 | 0 |
| 6 | 21213003 | 过线 | Thread Guide | 1 | 0 | 0 |
| 7 | 21213002 | 过线 | Thread Guide | 0 | 1 | 0 |
| 8 | 20713006 | 托架 | Bracket | 1 | 1 | 0 |
| 9 | 20713007 | 压线板 | Thread Retainer | 1 | 1 | 0 |
| 10 | 20727002 | 压簧 | Spring | 1 | 1 | 0 |
| 11 | 207S20003 | 螺钉 | Screw | 1 | 1 | 0 |
| 12 | | | | | | |



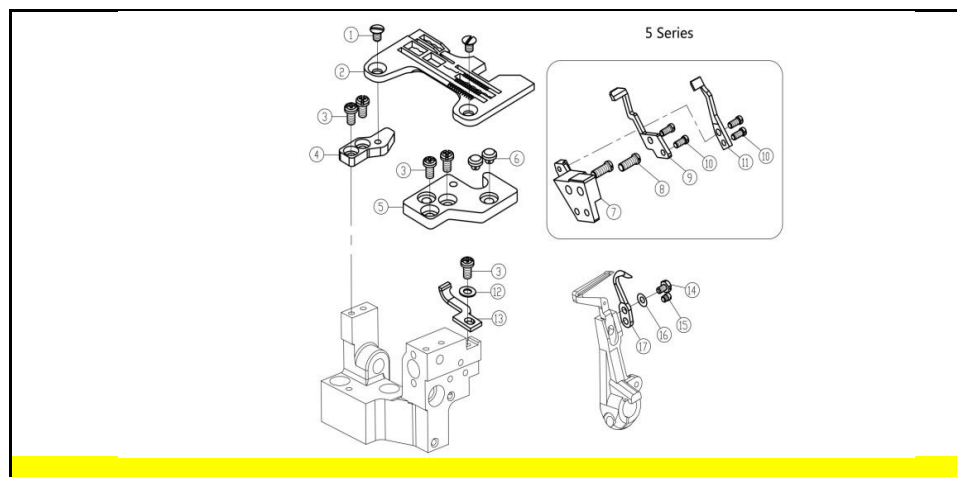
九、针杆部件(1)/Needle Drive Mechanism(1)

| 序号 NO. | 公司件号 Part NO. | 名称 PartName | 零件描述 Description | 数量 (Number) | | |
|--------|---------------|--------------|---------------------|-----------------|----------------|----------------|
| | | | | 三线 three-thread | 四线 four-thread | 五线 five-thread |
| 1 | 400039 | 针杆连杆 | Connection | 1 | 1 | 1 |
| 2 | 207S11016 | 螺钉M4×16 | Screw | 2 | 2 | 2 |
| 3 | 207S14007 | 螺钉M4×6 | Screw | 1 | 1 | 1 |
| 4 | H05008 | 挡圈 | Ring | 1 | 1 | 1 |
| 5 | 20628014 | 上刀架垫片 | Washer | 1 | 1 | 1 |
| 6 | S09103 | 螺钉M4×4 | Screw | 2 | 2 | 2 |
| 7 | 20708004 | 上轴挡圈 | Collar | 1 | 1 | 1 |
| 8 | 20626003 | 曲柄销 | Pin | 1 | 1 | 1 |
| 9 | S05018 | 螺钉M6×0.75×12 | Screw | 1 | 1 | 1 |
| 10 | 20704037 | 上轴曲柄 | Crank | 1 | 1 | 1 |
| 11 | 20702002 | 上轴 | Shaft | 1 | 1 | 1 |
| 12 | 21111040 | 油塞 | Plug | 1 | 1 | 1 |
| 13 | 207S11043 | 螺钉 | Screw | 1 | 1 | 1 |
| 14 | 20704002 | 针杆曲柄 | Lever | 1 | 1 | 1 |
| 15 | 2120200100 | 针杆组件 | Needle Bar Assembly | 1 | 1 | 1 |
| 16 | 20702003 | 针杆 | Needle Bar | 1 | 1 | 1 |
| 17 | 20726003 | 曲柄销 | Shaft | 1 | 1 | 1 |
| 18 | 20523005 | 油线 | Oil wick | 1 | 1 | 1 |
| 19 | 21203001 | 针杆套 | Bushing | 1 | 1 | 1 |
| 20 | 207S14008 | 螺钉M4×5 | Screw | 1 | 1 | 1 |
| 21 | 001026 | O型圈11.5×1.5 | O Ring | 1 | 1 | 1 |
| 22 | 20723003 | 毛毡 | Oil Felt | 1 | 1 | 1 |
| 23 | 207S11023 | 螺钉M3×6 | Screw | 1 | 1 | 1 |
| 24 | 20708005 | 挡圈 | Ring | 1 | 1 | 1 |



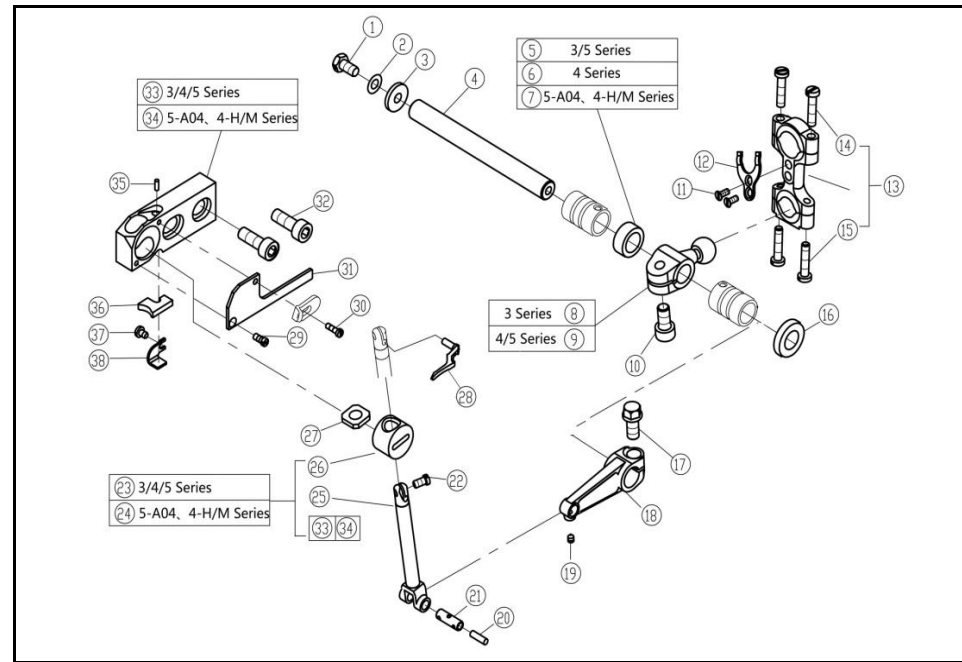
十、针杆部件(2)/Needle Drive Mechanism(2)

| 序号 NO. | 公司件号 Part NO. | 名称 PartName | 零件描述 Description | 数量 (Number) | | |
|--------|---------------|-------------|------------------------|-----------------|----------------|----------------|
| | | | | 三线 three-thread | 四线 four-thread | 五线 five-thread |
| 1 | 20734003 | 针夹头 | Needle Holder Assembly | 0 | 0 | 1 |
| 2 | 20734004 | 针夹头 | Needle Holder Assembly | 0 | 0 | 1 |
| 3 | 20719056 | 针夹头 | Needle Holder Assembly | 0 | 0 | 1 |
| 4 | 207S14014 | 螺钉M3×3 | Screw | 1 | 2 | 2 |
| 5 | 20713017 | 过线 | Thread Guide | 0 | 0 | 1 |
| 6 | 20713056 | 过线 | Thread Guide | 0 | 0 | 1 |
| 7 | 207S11024 | 螺钉M2×3 | Screw | 1 | 1 | 1 |
| 8 | xxxxxxx | 机针 | Needle | 0 | 0 | 2 |
| 9 | 20713038 | 过线(一针) | Thread Guide | 1 | 0 | 0 |
| 10 | 20734001 | 针夹头(三线) | Needle Holder Assembly | 1 | 0 | 0 |
| 11 | xxxxxxx | 机针 | Needle | 1 | 0 | 0 |
| 12 | 20713018 | 过线 | Thread Guide | 0 | 1 | 0 |
| 13 | 20734002 | 针夹头(四线) | Needle Holder | 0 | 1 | 0 |
| 14 | xxxxxxx | 机针 | Needle | 0 | 2 | 0 |



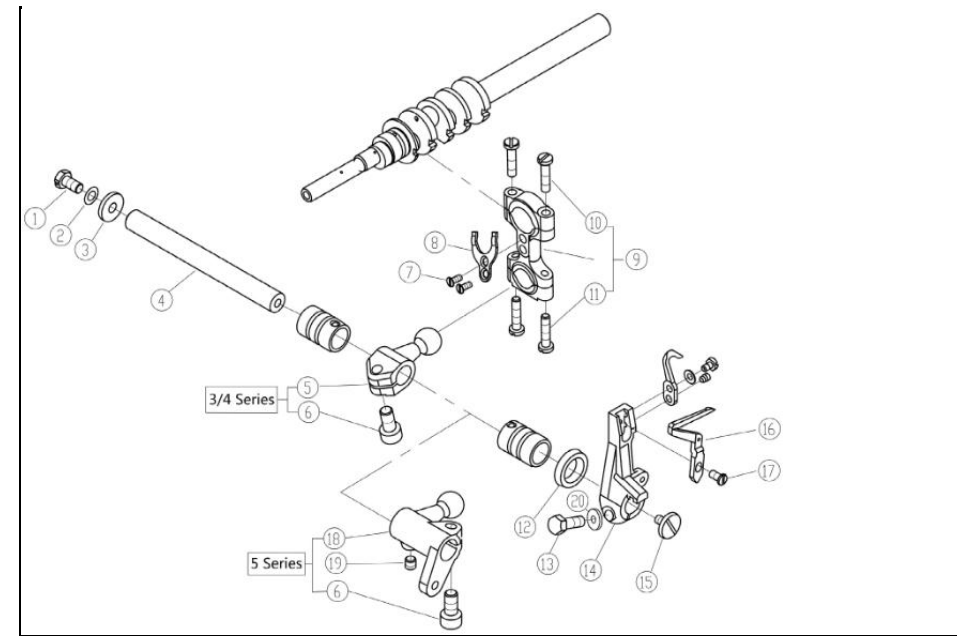
十一、针杆部件(3) Needle Drive Mechanism(3)

| 序号 NO. | 公司件号 Part NO. | 名称 PartName | 零件描述 Description | 数量 (Number) | | |
|--------|---------------|-------------|------------------|-----------------|----------------|----------------|
| | | | | 三线 three-thread | 四线 four-thread | 五线 five-thread |
| 1 | 207S17003 | 螺钉M4×7.5 | Screw | 2 | 2 | 2 |
| 2 | xxxxxxx | 针板 | Needle Plate | 1 | 1 | 1 |
| 3 | 207S11007 | 螺钉M4×7.5 | Screw | 5 | 5 | 5 |
| 4 | 20709003 | 针板垫块(后) | Bracket | 1 | 1 | 1 |
| 5 | 20709002 | 针板垫块(前) | Bracket | 1 | 1 | 1 |
| 6 | 20622003 | 防震垫 | Cushion Rubber | 2 | 2 | 2 |
| 7 | 20701033 | 托架 | Bracket | 0 | 0 | 1 |
| 8 | 207S11003 | 螺钉M4×10 | Screw | 0 | 0 | 2 |
| 9 | xxxxxxx | 机针护针 | Needle Guard | 0 | 0 | 1 |
| 10 | S01027 | 螺钉M3×6 | Screw | 0 | 0 | 4 |
| 11 | xxxxxxx | 链弯针护针 | Needle Guard | 0 | 0 | 1 |
| 12 | 20128019 | #07垫圈 | Spring | 1 | 1 | 1 |
| 13 | xxxxxxx | 机针护针(前) | Needle Guard | 1 | 1 | 1 |
| 14 | 207S12005 | 螺钉 | Screw | 1 | 1 | 1 |
| 15 | 207S11002 | 螺钉M3 | Screw | 1 | 1 | 1 |
| 16 | H03004 | 垫圈3 | Spring | 1 | 1 | 1 |
| 17 | xxxxxxx | 护针(后) | Needle Guard | 1 | 1 | 1 |



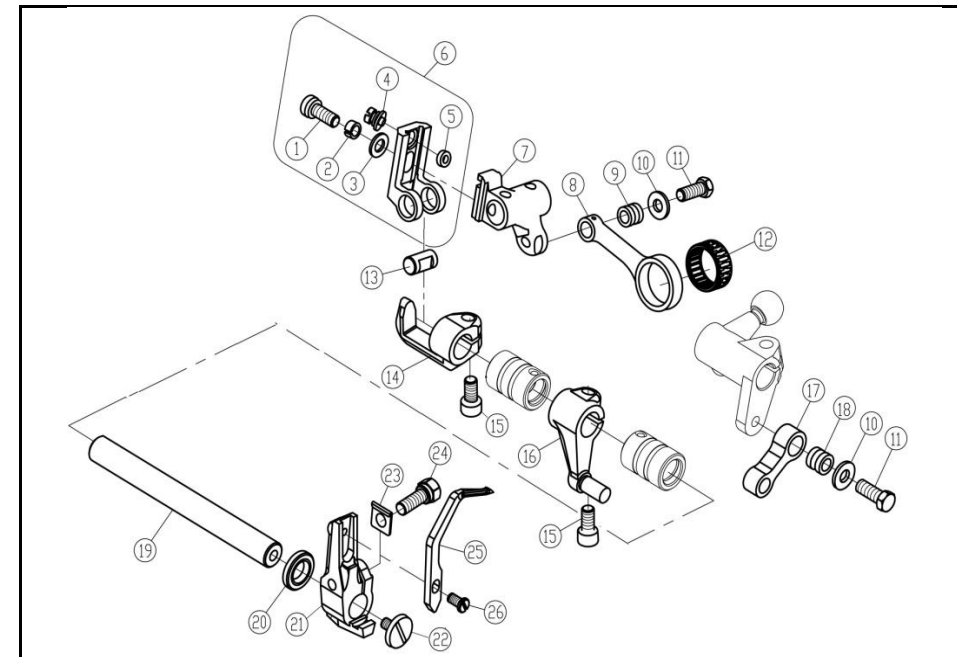
十二、上弯针部件/Upper Looper Drive Mechanism

| 序号 NO. | 公司件号 Part NO. | 名称 PartName | 零件描述 Description | 数量 (Number) | | |
|--------|---------------|--------------|--------------------------|-----------------|----------------|----------------|
| | | | | 三线 three-thread | 四线 four-thread | 五线 five-thread |
| 1 | 207S11004 | 螺钉M5×9.5 | Screw | 1 | 1 | 1 |
| 2 | H02001 | 上弯针垫圈 | Spring Washer | 1 | 1 | 1 |
| 3 | 20628006 | 垫圈 | Washer | 1 | 1 | 1 |
| 4 | 20702004 | 下弯针轴 | Shaft | 1 | 1 | 1 |
| 5 | 20708007 | 衬套A | Spacer | 1 | 0 | 1 |
| 6 | 20708006 | 衬套 | Spacer | 0 | 1 | 0 |
| 7 | 20703060 | 衬套 | Spacer | 0 | 1 | 1 |
| 8 | 400036 | 上弯针球曲柄 | Crank | 1 | 0 | 0 |
| 9 | 400037 | 上弯针球曲柄 | Crank | 0 | 1 | 1 |
| 10 | S05018 | 螺钉M6×0.75×12 | Screw | 1 | 1 | 1 |
| 11 | S02007 | 螺钉 | Screw | 2 | 2 | 2 |
| 12 | 20712066 | 连杆垫片 | Washer | 1 | 1 | 1 |
| 13 | 400043 | 弯针连杆 | Connection | 1 | 1 | 1 |
| 14 | 207S11016 | 螺钉M4×16 | Screw | 2 | 2 | 2 |
| 15 | 207S11005 | 螺钉M4×17.5 | Screw | 2 | 2 | 2 |
| 16 | 20622019 | 油封 | Oil Seal | 1 | 1 | 1 |
| 17 | 207S11043 | 螺钉 | Screw | 1 | 1 | 1 |
| 18 | 20705003 | 连杆 | Lever | 1 | 1 | 1 |
| 19 | 207S14010 | 螺钉M3×4 | Screw | 1 | 1 | 1 |
| 20 | 20523005 | JK788油线 | Oil Wick | 1 | 1 | 1 |
| 21 | 20726004 | 曲柄销 | Pin Assy. | 1 | 1 | 1 |
| 22 | 207S11025 | 螺钉M3.5×6.7 | Screw | 1 | 1 | 1 |
| 23 | 2070400500 | 上弯针滑杆组件 | Upper Looper Holder Assy | 1 | 1 | 1 |
| 24 | 2070403600 | 上弯针滑杆组件 | Upper Looper Holder Assy | 0 | 1 | 1 |
| 25 | 20704005 | 上弯针滑杆 | Upper Looper Slider | 1 | 1 | 1 |
| 26 | 20709004 | 上弯针滑块 | Upper Looper Slider | 1 | 1 | 1 |
| 27 | 20623005 | 上弯针针杆套油毡 | Felt | 1 | 1 | 1 |
| 28 | xxxxxxx | 上弯针 | Upper Looper | 1 | 1 | 1 |
| 29 | 207S17004 | 螺钉M2.5×6 | Screw | 1 | 1 | 1 |
| 30 | 207S11027 | 螺钉M2.5×8 | Screw | 1 | 1 | 1 |
| 31 | 400040 | 盖板 | Cover | 1 | 1 | 1 |
| 32 | 207S11026 | 螺钉M6×16 | Screw | 2 | 2 | 2 |
| 33 | 20701051 | 上弯针滑块座 | Upper Looper Bracket | 1 | 1 | 1 |
| 34 | 20701088 | 上弯针滑块座 | Upper Looper Bracket | 0 | 1 | 1 |
| 35 | 20123021 | JK795油线 | Oil Wick | 1 | 1 | 1 |
| 36 | 20723005 | 吸油棉 | Felt | 1 | 1 | 1 |
| 37 | 207S11020 | 螺钉M3×4 | Screw | 1 | 1 | 1 |
| 38 | 20712017 | 压板 | Bracket | 1 | 1 | 1 |



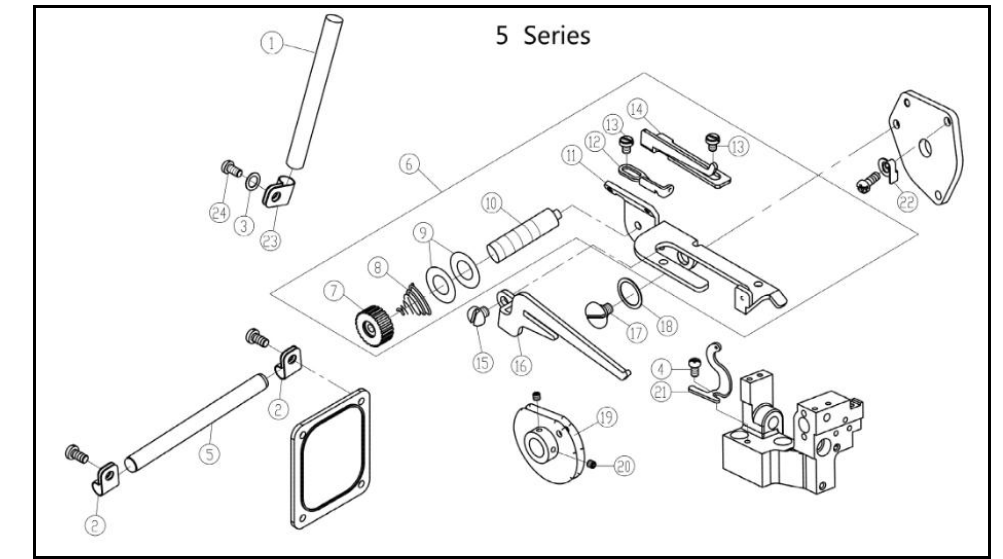
十三、下弯针部件/Lower Looper Drive Mechanism

| 序号 NO. | 公司件号 Part NO. | 名称 PartName | 零件描述 Description | 数量 (Number) | | |
|--------|---------------|--------------|---------------------|-----------------|----------------|----------------|
| | | | | 三线 three-thread | 四线 four-thread | 五线 five-thread |
| 1 | 207S11004 | 螺钉M4×10 | Screw | 1 | 1 | 1 |
| 2 | H02001 | 上弯针垫圈 | Spring Washer | 1 | 1 | 1 |
| 3 | 20628006 | 垫圈 | Washer | 1 | 1 | 1 |
| 4 | 20702004 | 下弯针轴 | Shaft | 1 | 1 | 1 |
| 5 | 400329 | 下弯针球曲柄 | Crank | 1 | 1 | 0 |
| 6 | S05018 | 螺钉M6×0.75×12 | Screw | 1 | 1 | 1 |
| 7 | S02007 | 螺钉 | Screw | 2 | 2 | 2 |
| 8 | 20712066 | 连杆垫片 | Washer | 1 | 1 | 1 |
| 9 | 400043 | 弯针连杆 | Connection | 1 | 1 | 1 |
| 10 | 207S11016 | 螺钉M4×16 | Screw | 2 | 2 | 2 |
| 11 | 207S11005 | 螺钉M4×17.5 | Screw | 2 | 2 | 2 |
| 12 | 20622019 | 油封 | Oil Seal | 1 | 1 | 1 |
| 13 | 201S12007 | 螺钉M5×13 | Screw | 1 | 1 | 1 |
| 14 | 20704007 | 下弯针架 | Lower Looper Holder | 1 | 1 | 1 |
| 15 | 207S15001 | 螺钉M4×7 | Screw | 1 | 1 | 1 |
| 16 | xxxxxxx | 下弯针 | Lower Looper | 1 | 1 | 1 |
| 17 | 207S11028 | 螺钉M3.5×6.5 | Screw | 1 | 1 | 1 |
| 18 | 400388 | 下弯针球曲柄 | Crank | 0 | 0 | 1 |
| 19 | 207S11042 | 螺钉M5×5 | Screw | 0 | 0 | 1 |
| 20 | 20128021 | 垫圈 | Washer | 1 | 1 | 1 |



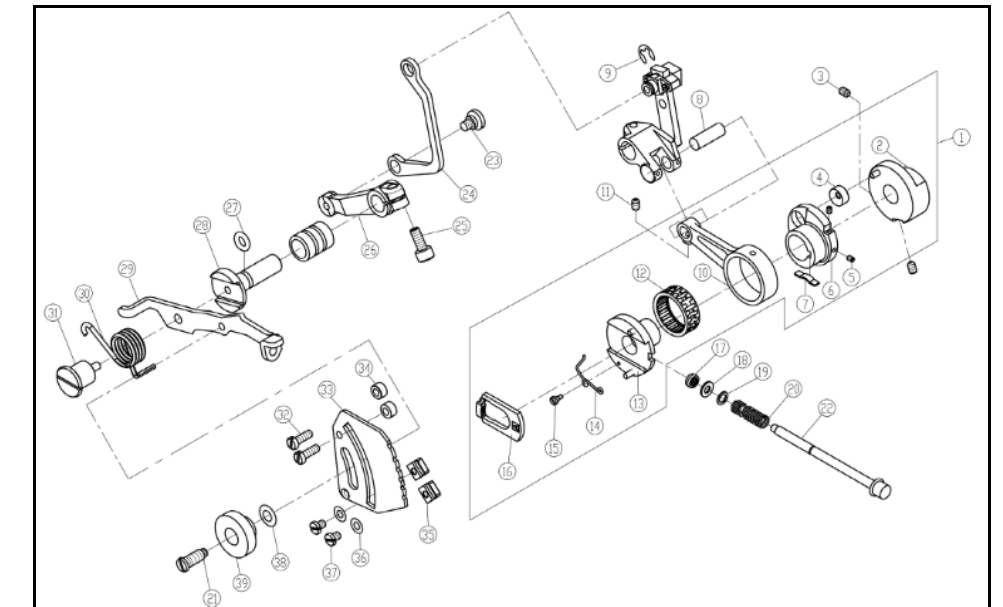
十四、二重环弯针机构(1)/Chainstitch Looper Drive Mechanism(1)

| 序号 NO. | 公司件号 Part NO. | 名称 PartName | 零件描述 Description | 数量 (Number) | | |
|--------|---------------|--------------|---------------------------|-----------------|----------------|----------------|
| | | | | 三线 three-thread | 四线 four-thread | 五线 five-thread |
| 1 | 207S13009 | 螺钉M5×12 | Screw | 0 | 0 | 1 |
| 2 | H02001 | 上弯针垫圈 | Spring Washer | 0 | 0 | 1 |
| 3 | 20628010 | 送布曲柄销垫圈 | Washer | 0 | 0 | 1 |
| 4 | 20710008 | 偏心销 | Pin | 0 | 0 | 1 |
| 5 | 001027 | O型圈4×1.3 | O Ring | 0 | 0 | 1 |
| 6 | 401031 | 滑块座 | Slider | 0 | 0 | 1 |
| 7 | 401030 | 曲柄 | Crank | 0 | 0 | 1 |
| 8 | 20705006 | 连杆 | Connection | 0 | 0 | 1 |
| 9 | 20703016 | 连杆套 | Bushing | 0 | 0 | 1 |
| 10 | 30228008 | 垫圈 | Washer | 0 | 0 | 2 |
| 11 | 207S11044 | 螺钉M5×13 | Screw | 0 | 0 | 2 |
| 12 | H08002 | 滚针22×18×8 | Needle Bearing | 0 | 0 | 1 |
| 13 | 20626017 | 五线轴 | Shaft | 0 | 0 | 1 |
| 14 | 20701034 | 支架 | Holder | 0 | 0 | 1 |
| 15 | S05018 | 螺钉M6×0.75×12 | Screw | 0 | 0 | 2 |
| 16 | 20704015 | 链线曲柄 | Crank | 0 | 0 | 1 |
| 17 | 20705009 | 连杆 | Link | 0 | 0 | 1 |
| 18 | 20703013 | 连杆套 | Bushing | 0 | 0 | 1 |
| 19 | 20702018 | 链线轴 | Shaft | 0 | 0 | 1 |
| 20 | 3052201700 | 油封 | Oil Seal | 0 | 0 | 1 |
| 21 | 20701035 | 弯针架 | Looper Holder | 0 | 0 | 1 |
| 22 | 207S15001 | 螺钉M4×7 | Screw | 0 | 0 | 1 |
| 23 | 20728002 | 垫片 | Spacer | 0 | 0 | 1 |
| 24 | 207S20004 | 螺钉M5×13 | Screw | 0 | 0 | 1 |
| 25 | xxxxxxx | 弯针 | Double Chainstitch Looper | 0 | 0 | 1 |
| 26 | 207S11028 | 螺钉M3.5×6.5 | Screw | 0 | 0 | 1 |



十五、二重环弯针机构(2)/Chainstitch Looper Drive Mechanism(2)

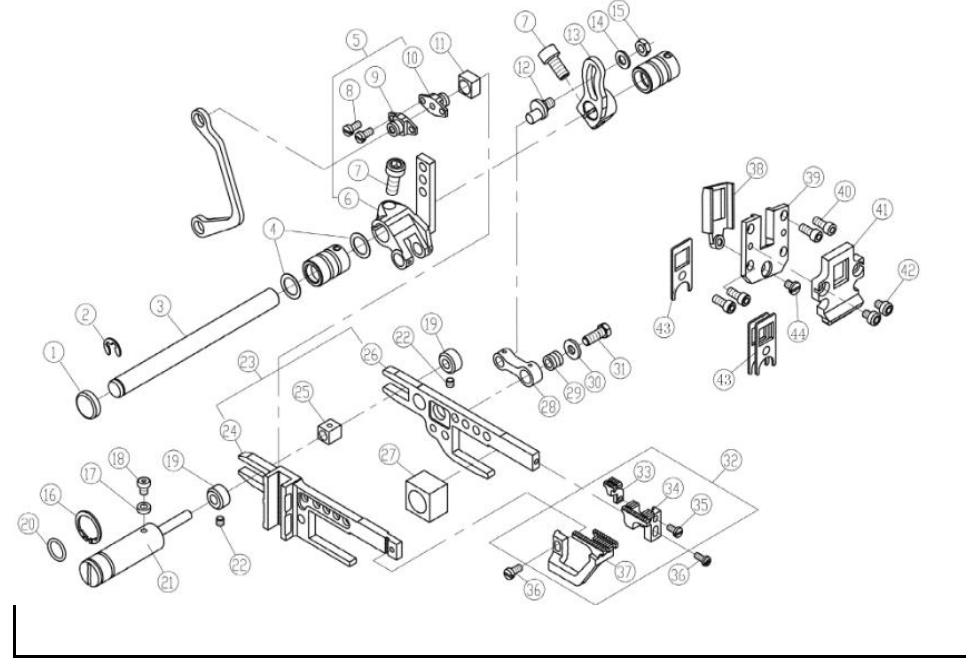
| 序号 NO. | 公司件号 Part NO. | 名称 PartName | 零件描述 Description | 数量 (Number) | | |
|--------|---------------|-------------|---------------------------|-----------------|----------------|----------------|
| | | | | 三线 three-thread | 四线 four-thread | 五线 five-thread |
| 1 | 20713039 | 过线管 | Thread Guide | 0 | 0 | 1 |
| 2 | 20629003 | 过线管夹 | Holder | 0 | 0 | 2 |
| 3 | 20628012 | 垫片 | Washer | 0 | 0 | 1 |
| 4 | 207S11007 | 螺钉M4×7.5 | Screw | 0 | 0 | 2 |
| 5 | 20713040 | 过线管 | Thread Guide | 0 | 0 | 1 |
| 6 | 2061205700 | 打线凸轮组件 | Looper Thread Takeup Assy | 0 | 0 | 1 |
| 7 | 206S16004 | 紧线手柄 | Knob | 0 | 0 | 1 |
| 8 | 30127016 | 弹簧 | Spring | 0 | 0 | 1 |
| 9 | 20612055 | 紧线片 | Tension Disc | 0 | 0 | 2 |
| 10 | 206S30015 | 螺钉M3 | Screw | 0 | 0 | 1 |
| 11 | 20612056 | 打线凸轮架 | Looper Thread Takeup Assy | 0 | 0 | 1 |
| 12 | 20613017 | 过线 | Thread Guide | 0 | 0 | 1 |
| 13 | 207S11020 | 螺钉M3×4 | Screw | 0 | 0 | 2 |
| 14 | 20629004 | 过线 | Thread Guide | 0 | 0 | 1 |
| 15 | S01031 | 螺钉M4×7.5 | Screw | 0 | 0 | 1 |
| 16 | 20612056 | 分线板 | Thread Guide | 0 | 0 | 1 |
| 17 | 301S20001 | 螺钉M4 | Screw | 0 | 0 | 1 |
| 18 | 20128015 | 垫圈 | Washer | 0 | 0 | 1 |
| 19 | 20612058 | 打线凸轮 | Looper Thread Takeup | 0 | 0 | 1 |
| 20 | 207S14009 | 螺钉M3×3 | Screw | 0 | 0 | 2 |
| 21 | 20713026 | 过线 | Tread Guide | 0 | 0 | 1 |
| 22 | 20629005 | 卡簧 | Spring | 0 | 0 | 1 |
| 23 | 20729004 | 过线管夹 | Holder | 0 | 0 | 1 |
| 24 | S01060 | 螺钉M6×10 | Screw | 0 | 0 | 1 |



十六、差动调节机构/Feed Mechanism

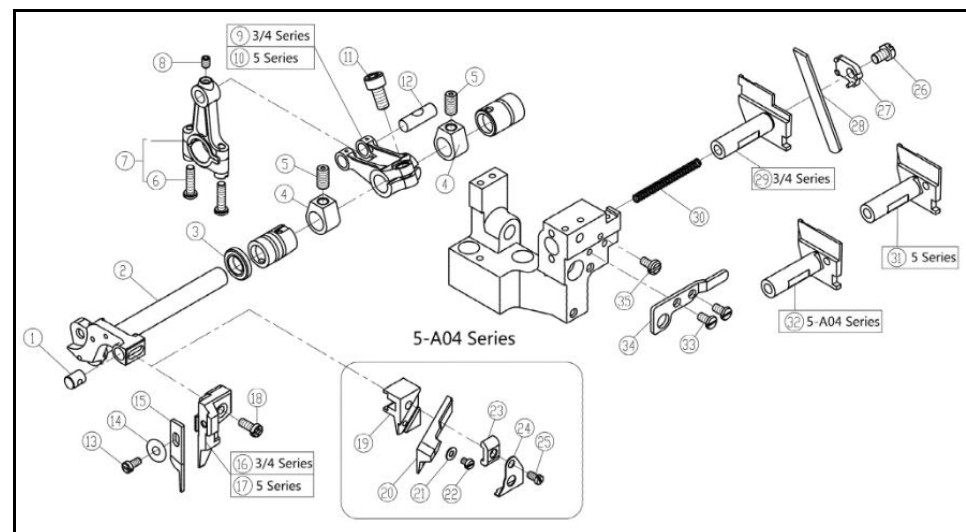
| 序号 NO. | 公司件号 Part NO. | 名称 PartName | 零件描述 Description | 数量 (Number) | | |
|--------|---------------|--------------|------------------|-----------------|----------------|----------------|
| | | | | 三线 three-thread | 四线 four-thread | 五线 five-thread |
| 1 | 2070500400 | 送料连杆组件 | Connection | 1 | 1 | 1 |
| 2 | 20710003 | 送布偏心 | Regulator | 1 | 1 | 1 |
| 3 | 207S11042 | 螺钉M5×5 | Screw | 2 | 2 | 2 |
| 4 | 20710002 | 小偏心轮 | Feed Eccent | 1 | 1 | 1 |
| 5 | 207S14003 | 螺钉M3×5 | Screw | 2 | 2 | 2 |
| 6 | 20710001 | 偏心轮 | Eccent | 1 | 1 | 1 |
| 7 | 20712018 | 弹簧板 | Flat Spring | 1 | 1 | 1 |
| 8 | 20626003 | 曲柄销 | Pin | 1 | 1 | 1 |
| 9 | H05002 | 卡簧 | Ring | 1 | 1 | 1 |
| 10 | 20705004 | 送料连杆 | Connection | 1 | 1 | 1 |
| 11 | 207S14007 | 螺钉M4×6 | Screw | 1 | 1 | 1 |
| 12 | B08001 | 滚动轴承26x22x10 | Needle Bearing | 1 | 1 | 1 |
| 13 | 20710004 | 开针偏心凸轮 | Eccent Assembly | 1 | 1 | 1 |
| 14 | 20727003 | 弹簧 | Spring | 1 | 1 | 1 |

| | | | | | | |
|----|------------|---------|-----------------|---|---|---|
| 32 | 207S11008 | 螺钉M4×12 | Screw | 2 | 2 | 2 |
| 33 | 20712033 | 调节板 | Regulator Plate | 1 | 1 | 1 |
| 34 | 20711007 | 垫圈 | Spacer | 2 | 2 | 2 |
| 35 | 207S16002 | 螺母 | Stopper | 2 | 2 | 2 |
| 36 | 30228009 | 垫片 | Washer | 2 | 2 | 2 |
| 37 | 207S11011 | 螺钉M4×5 | Screw | 2 | 2 | 2 |
| 38 | 20728003 | 碟形垫片 | Spring Washer | 1 | 1 | 1 |
| 39 | 2071600100 | 调节螺母 | Nut | 1 | 1 | 1 |



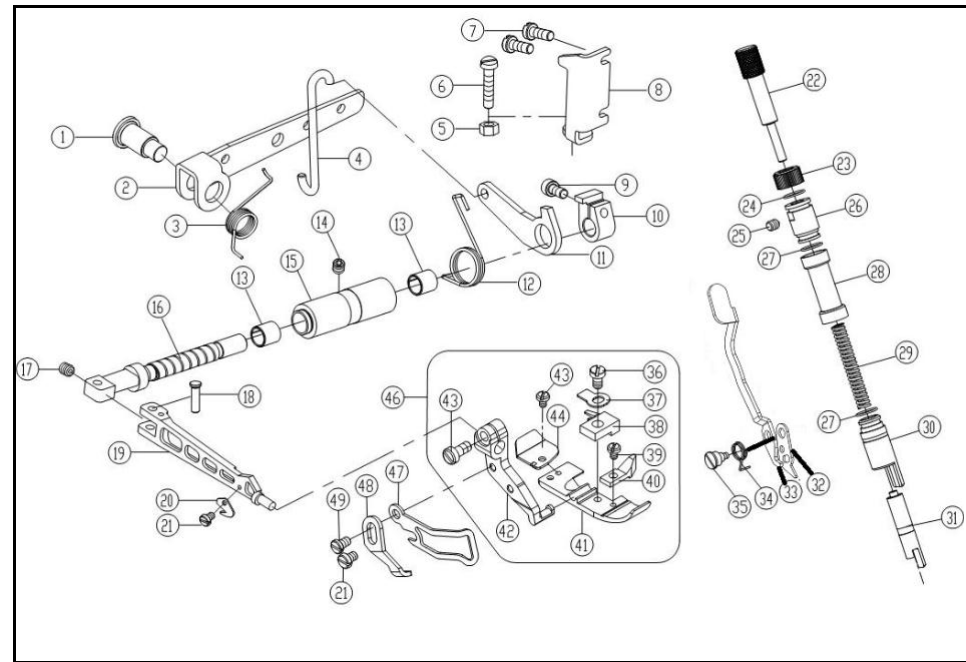
十七、送布机构/Feed Mechanism

| 序号 NO. | 公司件号 Part NO. | 名称 PartName | 零件描述 Description | 数量 (Number) | | |
|--------|---------------|--------------|------------------------|-----------------|----------------|----------------|
| | | | | 三线 three-thread | 四线 four-thread | 五线 five-thread |
| 1 | 20628023 | 送布轴油封 | Plug | 1 | 1 | 1 |
| 2 | 405509 | 开口挡圈7 | Ring | 1 | 1 | 1 |
| 3 | 20702064 | 送布轴 | Shaft | 1 | 1 | 1 |
| 4 | 20628011 | 送料轴垫圈 | Washer | 2 | 2 | 2 |
| 5 | 2070400900 | 送料曲柄组件 | Crank | 1 | 1 | 1 |
| 6 | 20704011 | 送料曲柄 | Crank | 1 | 1 | 1 |
| 7 | S05018 | 螺钉M6×0.75×12 | Screw | 2 | 2 | 2 |
| 8 | 207S11029 | 螺钉M3×6 | Screw | 2 | 2 | 2 |
| 9 | 20709008 | 曲柄 | Crank | 1 | 1 | 1 |
| 10 | 20709009 | 曲柄销 | Crank Pin | 1 | 1 | 1 |
| 11 | 20709034 | 滑块 | Block | 1 | 1 | 1 |
| 12 | 20710005 | 偏心销 | Pin | 1 | 1 | 1 |
| 13 | 20704011 | 送料曲柄 | Crank | 1 | 1 | 1 |
| 14 | 12928008 | 送布曲柄销垫圈 | Washer | 1 | 1 | 1 |
| 15 | N01004 | 螺母M5 | Nut | 1 | 1 | 1 |
| 16 | 20729002 | 卡簧 | Ring | 1 | 1 | 1 |
| 17 | 20722006 | O型圈 | Gasket | 1 | 1 | 1 |
| 18 | 207S13001 | 螺钉 | Screw | 1 | 1 | 1 |
| 19 | 20708008 | 挡圈 | Collar | 2 | 2 | 2 |
| 20 | 001026 | O型圈11.5×1.5 | O Ring | 1 | 1 | 1 |
| 21 | 20710006 | 偏心轴 | Pin | 1 | 1 | 1 |
| 22 | S09103 | 螺钉M4×4 | Screw | 2 | 2 | 2 |
| 23 | 2070600100 | 牙架组件 | Feed Bar Assy. | 1 | 1 | 1 |
| 24 | 20706002 | 差动齿牙架 | Differential Feed Bar | 1 | 1 | 1 |
| 25 | 20709011 | 滑块 | Block | 1 | 1 | 1 |
| 26 | 20706001 | 主送齿牙架 | Main Feed Bar | 1 | 1 | 1 |
| 27 | 20709012 | 滑块 | Block | 1 | 1 | 1 |
| 28 | 20705008 | 连杆 | Link | 1 | 1 | 1 |
| 29 | 20703016 | 连杆套 | Bushing | 1 | 1 | 1 |
| 30 | 30228008 | 垫圈 | Washer | 1 | 1 | 1 |
| 31 | 207S11044 | 螺钉M5×13 | Screw | 1 | 1 | 1 |
| 32 | xxxxxxx | 牙齿组件 | Main Feed Dog Complete | 1 | 1 | 1 |
| 33 | xxxxxxx | 辅助齿 | Auxiliary | 1 | 1 | 1 |
| 34 | xxxxxxx | 主送齿 | Main Feed Dog | 1 | 1 | 1 |
| 35 | 207S11039 | 螺钉M3×6 | Screw | 1 | 1 | 1 |
| 36 | S01029 | 螺钉M3.5×7.5 | Screw | 2 | 2 | 2 |
| 37 | xxxxxxx | 差动齿 | Differential Feed Dog | 1 | 1 | 1 |
| 38 | 20701049 | 牙架挡油板 | Feed Bar Oil Seal | 1 | 1 | 1 |
| 39 | 20701048 | 牙架挡块(一体) | Feed Bar | 1 | 1 | 1 |
| 40 | 207S13006 | 螺钉M4×9 | Screw | 4 | 4 | 4 |
| 41 | 20701013 | 挡油板 | Feed Bar Oil Seal | 1 | 1 | 1 |
| 42 | 207S13007 | 螺钉M4×5 | Screw | 2 | 2 | 2 |
| 43 | 20722007 | 牙架油封 | Oil Seal | 3 | 3 | 3 |
| 44 | 207S17005 | 螺钉M4×10 | Screw | 1 | 1 | 1 |



十八、剪布机构/Knife Drive Mechanism

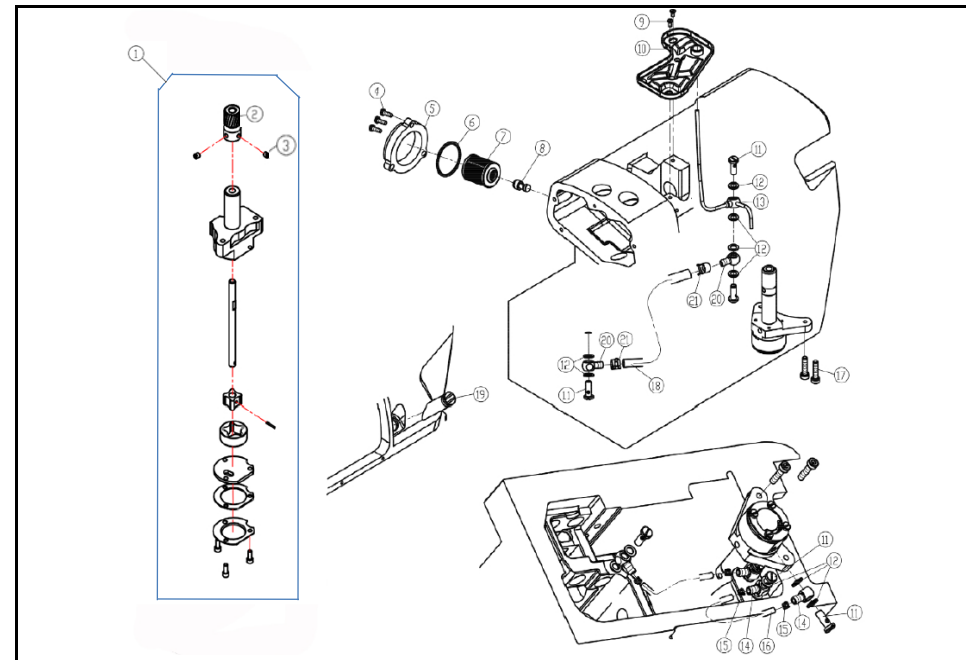
| 序号 NO. | 公司件号 Part NO. | 名称 PartName | 零件描述 Description | 数量 (Number) | | |
|--------|---------------|--------------|--------------------------|-----------------|----------------|----------------|
| | | | | 三线 three-thread | 四线 four-thread | 五线 five-thread |
| 1 | 20726005 | 导向销 | Pin | 1 | 1 | 1 |
| 2 | 20702009 | 上刀架轴 | Upper Knife Lever | 1 | 1 | 1 |
| 3 | 2072201700 | 油封 | Oil Seal | 1 | 1 | 1 |
| 4 | 30208001 | 挡块 | Collar | 2 | 2 | 2 |
| 5 | S10003 | 螺钉M6×0.75×12 | Screw | 2 | 2 | 2 |
| 6 | 207S11016 | 螺钉M4×16 | Screw | 2 | 2 | 2 |
| 7 | 400041 | 上刀连杆 | Connection | 1 | 1 | 1 |
| 8 | 207S14007 | 螺钉M4×6 | Screw | 1 | 1 | 1 |
| 9 | 20704038 | 上刀曲柄 | Crank | 1 | 1 | 0 |
| 10 | 20704039 | 上刀曲柄 | Crank | 0 | 0 | 1 |
| 11 | S05018 | 螺钉M6×0.75×12 | Screw | 1 | 1 | 1 |
| 12 | 20626003 | 曲柄销 | Pin | 1 | 1 | 1 |
| 13 | S01029 | 螺钉M3.5×7.5 | Screw | 1 | 1 | 1 |
| 14 | 20128020 | 垫片 | Washer | 1 | 1 | 1 |
| 15 | xxxxxxx | 上刀 | Upper Knife | 1 | 1 | 1 |
| 16 | 20701107 | 上刀座 | Upper Knife Clamp | 1 | 1 | 0 |
| 17 | 20701036 | 上刀座 | Upper Knife Clamp | 0 | 0 | 1 |
| 18 | S04019 | 螺钉M4 | Screw | 1 | 1 | 1 |
| 19 | 20701050 | 绞刀安装板 | Angled Upper Knife Clamp | 0 | 0 | 1 |
| 20 | xxxxxxx | 切刀 | Angled Upper | 0 | 0 | 1 |
| 21 | W01011 | 垫圈 | Washer | 0 | 0 | 1 |
| 22 | 207S11020 | 螺钉M3×4 | Screw | 0 | 0 | 1 |
| 23 | 20712053 | 上刀凹角切 | Angled Upper Knife Gib | 0 | 0 | 1 |
| 24 | 20712051 | 挡板 | Waste Guard | 0 | 0 | 1 |
| 25 | S11025 | 螺钉M4×20 | Screw | 0 | 0 | 1 |
| 26 | 207S12004 | 螺钉M5×8 | Screw | 1 | 1 | 1 |
| 27 | 20709013 | 压板 | Lower Knife Clamp | 1 | 1 | 1 |
| 28 | xxxxxxx | 下刀 | Lower Knife | 1 | 1 | 1 |
| 29 | 20701131 | 下刀架 | Lower Knife Holder | 1 | 1 | 0 |
| 30 | 20727006 | 弹簧 | Spring | 1 | 1 | 1 |
| 31 | 20701037 | 下刀架 | Lower Knife Holder | 0 | 0 | 1 |
| 32 | 20701052 | 上刀架 | Upper Knife Clamp | 0 | 0 | 1 |
| 33 | 207S11019 | 螺钉M4×7.5 | Screw | 2 | 2 | 2 |
| 34 | 20712021 | 挡板 | Lower Knife Holder Guard | 1 | 1 | 1 |
| 35 | S01010 | 螺钉M4×7.5 | Screw | 1 | 1 | 1 |



十九、抬压脚机构/Presser Foot Mechanism

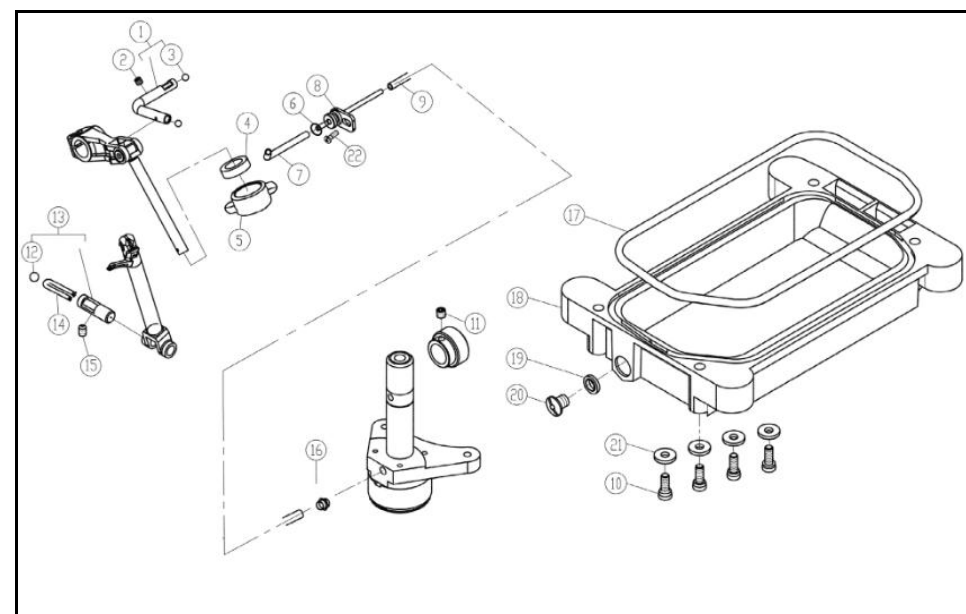
| 序号 NO. | 公司件号 Part NO. | 名称 PartName | 零件描述 Description | 数量 (Number) | | |
|--------|---------------|-----------------|------------------|-----------------|----------------|----------------|
| | | | | 三线 three-thread | 四线 four-thread | 五线 five-thread |
| 1 | 207S20008 | 抬压脚螺钉M10 | Screw | 1 | 1 | 1 |
| 2 | 20712023 | 抬压脚杠杆 | Lever | 1 | 1 | 1 |
| 3 | 20727007 | 扭簧 | Spring | 1 | 1 | 1 |
| 4 | 20712025 | 连杆 | Link | 1 | 1 | 1 |
| 5 | N01004 | 螺母M5 | Nut | 1 | 1 | 1 |
| 6 | 207S11031 | 螺钉M5×24 | Screw | 1 | 1 | 1 |
| 7 | 207S11012 | 螺钉M4×10 | Screw | 2 | 2 | 2 |
| 8 | 20712024 | 角板 | Stopper | 1 | 1 | 1 |
| 9 | S05017 | 螺钉M6×0.75×13.5 | Screw | 1 | 1 | 1 |
| 10 | 20608004 | 抬压脚复位圈 | Collar | 1 | 1 | 1 |
| 11 | 20712007 | 抬压脚小杠杆 | Lever | 1 | 1 | 1 |
| 12 | 21127009 | 小杠杆扭簧 | Spring | 1 | 1 | 1 |
| 13 | 20703031 | 滑动轴承 | Bearing | 2 | 2 | 2 |
| 14 | S10009 | 螺钉M6×8 | Screw | 1 | 1 | 1 |
| 15 | 20703030 | 压脚轴套筒 | Bushing | 1 | 1 | 1 |
| 16 | 20702010 | 压脚轴 | Shaft | 1 | 1 | 1 |
| 17 | S10011 | 螺钉M4×0.5×4 | Screw | 1 | 1 | 1 |
| 18 | 20626016 | 压脚臂连杆销 | Pin | 1 | 1 | 1 |
| 19 | 21201001 | 压脚臂 | Presser Arm | 1 | 1 | 1 |
| 20 | 30119020 | 割线刀 | Thread Cutter | 1 | 1 | 1 |
| 21 | 207S11020 | 螺钉3×4 | Screw | 2 | 2 | 2 |
| 22 | 20702019 | 调节螺母 | Adjusting Screw | 1 | 1 | 1 |
| 23 | 207S16005 | 调节螺母 | Nut | 1 | 1 | 1 |
| 24 | 001039 | O型圈φ 12.5xφ 1.8 | O Ring | 1 | 1 | 1 |
| 25 | 207S14007 | 螺钉 | Screw | 1 | 1 | 1 |
| 26 | 211S16001 | 螺纹套 | Thread Sleeve | 1 | 1 | 1 |
| 27 | 001008 | O型圈φ 11.2xφ 1.8 | O Ring | 2 | 2 | 2 |
| 28 | 21211003 | 压杆防油套 | Oil Proof Sleeve | 1 | 1 | 1 |
| 29 | 21227003 | 压杆套 | Spring | 1 | 1 | 1 |
| 30 | 21103018 | 压杆套 | Struth Sleeve | 1 | 1 | 1 |
| 31 | 20407210 | 弹簧片 | Spring | 0 | 1 | 0 |
| 32 | 21212021 | 限位板 | Plate | 1 | 1 | 1 |
| 33 | 21112025 | 压杆扳手 | Lever | 1 | 1 | 1 |
| 34 | 20627010 | 压杆扳手扭簧 | Spring | 1 | 1 | 1 |
| 35 | 212S20003 | 螺钉 | Screw | 1 | 1 | 1 |
| 36 | 207S11036 | 螺钉 | Screw | 0 | 1 | 0 |
| 37 | 20407210 | 弹簧片 | Spring | 0 | 1 | 0 |
| 38 | 20616004 | 压脚爪 | Paw Pressur | 0 | 1 | 0 |

| | | | | | | |
|----|-----------|------|------------------------|---|---|---|
| 39 | 206S10004 | 螺钉 | Screw | 0 | 1 | 0 |
| 40 | 20701023 | 辅助压脚 | Auxiliary Presser Foot | 0 | 1 | 0 |
| 41 | 20616022 | 压脚底板 | Baseboard | 0 | 1 | 0 |
| 42 | 20712023 | 压脚架 | Rack | 0 | 1 | 0 |
| 43 | 207S11030 | 螺钉 | Screw | 0 | 1 | 0 |



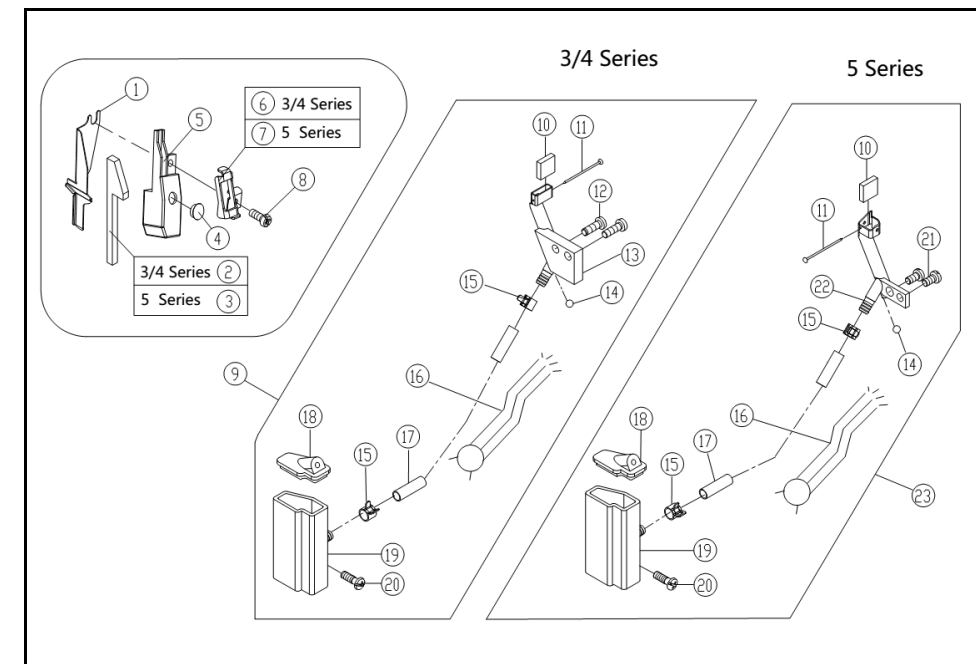
二十、供油机构(1)/Lubrication Mechanism(1)

| 序号 NO. | 公司件号 Part NO. | 名称 PartName | 零件描述 Description | 数量 (Number) | | |
|--------|---------------|-------------|---------------------|-----------------|----------------|----------------|
| | | | | 三线 three-thread | 四线 four-thread | 五线 five-thread |
| 1 | 2072000400 | 油泵组件 | Pump | 1 | 1 | 1 |
| 2 | 20725002 | 蜗轮 | Worm Wheel | 1 | 1 | 1 |
| 3 | 207S14006 | 螺钉M5×5 | Screw | 2 | 2 | 2 |
| 4 | 207S11008 | 螺钉M4×12 | Screw | 3 | 3 | 3 |
| 5 | 300140 | 滤油器盖 | Oil clearer | 1 | 1 | 1 |
| 6 | 001010 | 密封圈 | Seal ring | 1 | 1 | 1 |
| 7 | 20736004 | 滤油器 | Filter Element | 1 | 1 | 1 |
| 8 | 20736001 | 滤油器接头 | Oil cliernier joint | 1 | 1 | 1 |
| 9 | 207S11007 | 螺钉M4×7.5 | Screw | 2 | 2 | 2 |
| 10 | 21112028 | 接油盘 | Oil guard | 1 | 1 | 1 |
| 11 | 206S30009 | 过油螺钉 | Joint Screw | 5 | 5 | 5 |
| 12 | 20122033 | 垫片 | Washer | 10 | 10 | 10 |
| 13 | 21221001 | 上喷油器 | Upper screem | 1 | 1 | 1 |
| 14 | 20736007 | 油管接头 | Joint | 2 | 2 | 2 |
| 15 | 20729005 | 油管卡箍 | Clamp | 2 | 2 | 2 |
| 16 | 12921003 | 油管Φ5×Φ8 | Tube | 0.1m | 0.1m | 0.1m |
| 17 | S11025 | 螺钉M4×16 | Screw | 2 | 2 | 2 |
| 18 | 30121022 | 油管Φ4×Φ6 | Tube | 0.15m | 0.15m | 0.15m |
| 19 | 21111095 | 油标 | Oil sight | 1 | 1 | 1 |
| 20 | 20136007 | 油管接头 | Joint | 2 | 2 | 2 |
| 21 | 20429001 | 油管卡箍 | Clamp | 2 | 2 | 2 |



二十一、供油机构(2)/Lubrication Mechanism(2)

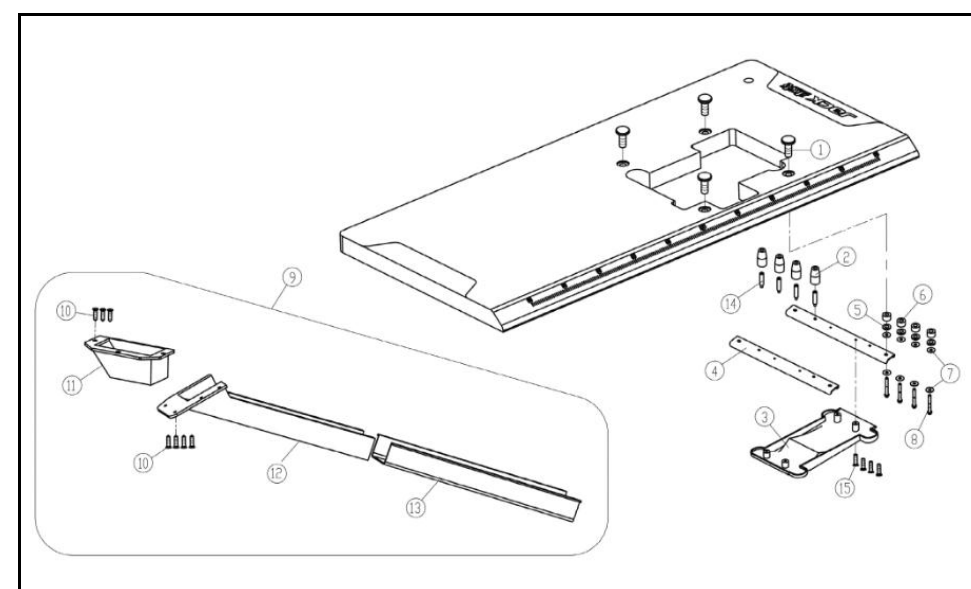
| 序号 NO. | 公司件号 Part NO. | 名称 PartName | 零件描述 Description | 数量 (Number) | | |
|--------|---------------|-------------|------------------|-----------------|----------------|----------------|
| | | | | 三线 three-thread | 四线 four-thread | 五线 five-thread |
| 1 | 212210020 | 过油管 | Pipe | 1 | 1 | 1 |
| 2 | S09103 | 螺钉M4×4 | Screw | 1 | 1 | 1 |
| 3 | 20709016 | 橡胶塞 | Rubber plug | 2 | 2 | 2 |
| 4 | 21123001 | 油毡 | Felt | 1 | 1 | 1 |
| 5 | 21211001 | 吸油嘴组件 | Joint | 1 | 1 | 1 |
| 6 | 20622010 | 差动轴O型圈 | O Ring | 1 | 1 | 1 |
| 7 | 20721011 | 油管Φ2×Φ4 | Tube | 1 | 1 | 1 |
| 8 | 2110101500 | 回油组件 | Tube | 1 | 1 | 1 |
| 9 | 20721012 | 油管Φ2×Φ4 | Tube | 1 | 1 | 1 |
| 10 | 207S13009 | 螺钉M5×12 | Screw | 4 | 4 | 4 |
| 11 | 207S11042 | 螺钉M5×5 | Screw | 1 | 1 | 1 |
| 12 | 20709015 | 滚珠 | Rubber plug | 1 | 1 | 1 |
| 13 | 20626007 | 上弯杆滑杆过滤器 | Pipe Assy. | 1 | 1 | 1 |
| 14 | 20123021 | IK795油线 | Oil Wick | 1 | 1 | 1 |
| 15 | S09103 | 螺钉M4×4 | Screw | 1 | 1 | 1 |
| 16 | 20521009 | 铜油嘴 | Joint | 2 | 2 | 2 |
| 17 | 20722008 | 油盘垫 | Gasket | 1 | 1 | 1 |
| 18 | 20701058 | 油盘 | Oil Reservoir | 1 | 1 | 1 |
| 19 | 20528014 | 油盘放油垫圈 | Washer | 1 | 1 | 1 |
| 20 | 207S13002 | 放油螺钉 | Screw | 1 | 1 | 1 |
| 21 | 20628018 | 垫片 | Washer | 4 | 4 | 4 |
| 22 | 207S11019 | 螺钉 | Screw | 1 | 1 | 1 |



二十二、HR装置机构部件/H.R. Device

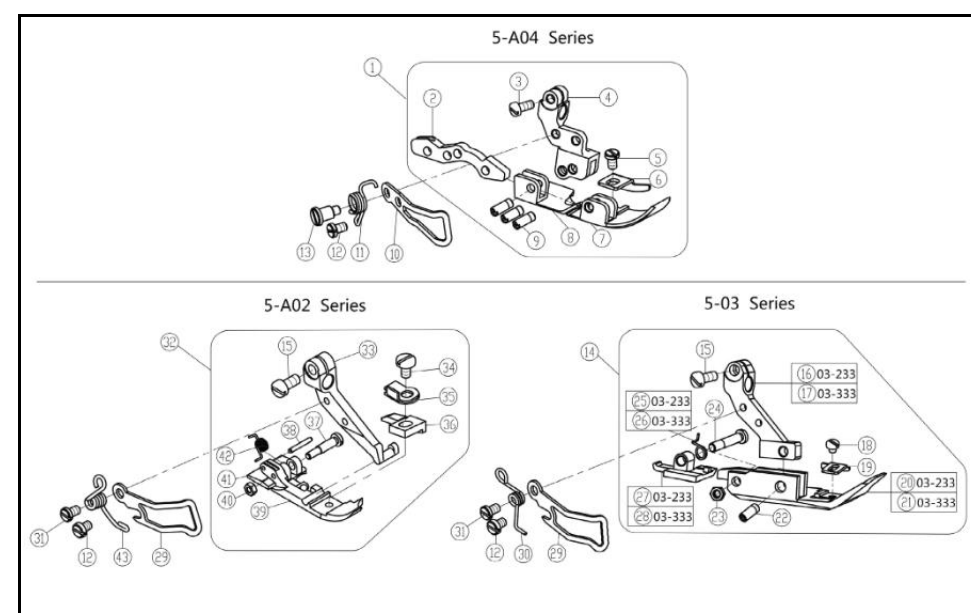
| 序号 NO. | 公司件号 Part NO. | 名称 PartName | 零件描述 Description | 数量 (Number) | | |
|--------|---------------|-------------|------------------------|-----------------|----------------|----------------|
| | | | | 三线 three-thread | 四线 four-thread | 五线 five-thread |
| 1 | 21212011 | 挡油板 | Cover | 1 | 1 | 1 |
| 2 | 21123002 | 毡毡 | Felt | 1 | 1 | 0 |
| 3 | 21123003 | 毡毡 | Felt | 0 | 0 | 1 |
| 5 | 21211002 | 上硅油盒 | Silicone Oil Reservoir | 1 | 1 | 1 |
| 6 | 21212005 | 过线架 | Thread Guide | 1 | 1 | 0 |
| 7 | 21212006 | 过线架 | Thread Guide | 0 | 0 | 1 |
| 8 | 207S11012 | 螺钉M4×10 | Screw | 1 | 1 | 1 |
| 9 | 2071101600 | 下硅油盒组件 | Silicone Oil Reservoir | 1 | 1 | 0 |
| 10 | 20723009 | 油毡 | Oil Felt | 1 | 1 | 1 |
| 11 | / | 别针 | Pin | 1 | 1 | 1 |
| 12 | 207S11008 | 螺钉M4×10 | Screw | 2 | 2 | 0 |
| 13 | 20701027 | 针线冷却器 | | | | |

| | | | | | | |
|----|------------|---------|---------------------------|---|---|--------|
| 18 | 21131013 | 固定器 | Thread Guide joint | 1 | 1 | 1 |
| 19 | S04050 | 螺钉M5X15 | Screw | 2 | 2 | 2 |
| 20 | 21131014 | 套 | Bushing | 1 | 1 | 1 |
| 21 | N01030 | 套螺母 | Nut | 2 | 2 | 2 |
| 22 | 21131015 | 线圈定位套 | Spool Cushion | 3 | 4 | 5 |
| 23 | 20131006 | 线托棒 | Spool pin | 3 | 4 | 5 |
| 24 | 20131010 | 线圈垫 | Spool tray Cushion | 3 | 4 | 5 |
| 25 | 21131016 | 线圈 | Screw tray | 3 | 4 | 5 |
| 26 | 21131017 | 托线架(长) | Thread spool tray bracket | 1 | 0 | 1 |
| 27 | 201S16004 | 螺母 | Nut | 3 | 4 | 5 |
| 28 | 20128018 | 垫圈 | Washer | 3 | 4 | 5 |
| 29 | 21131018 | 下管 | Lower thread cloumm | 1 | 1 | 1 |
| 30 | 206S20023 | 螺母 | Nut | 1 | 1 | 1 |
| 31 | 20128025 | 下管垫圈 | Lower Washer | 2 | 2 | 2 |
| 32 | 21131019 | 托线架(短) | Thread spool tray bracket | 0 | 2 | 1 |
| 33 | 20122049 | 防震垫 | Plate dog link washer | 0 | 2 | 1 |
| 34 | 20631020 | 过线棒 | Thread Guide | 2 | 2 | 2 |
| 35 | 2113100300 | 线架组件 | Thread stand component | 1 | 0 | 0 |
| 35 | 2113100400 | 线架组件 | Thread stand component | 0 | 1 | 0 |
| 35 | 2113100500 | 线架组件 | Thread stand component | 0 | 0 | 1 |
| 35 | 2113100600 | 线架组件 | Thread stand component | 0 | 0 | 1 (六线) |



二十四、托盘部件/Part For Semi-Submerged Installation

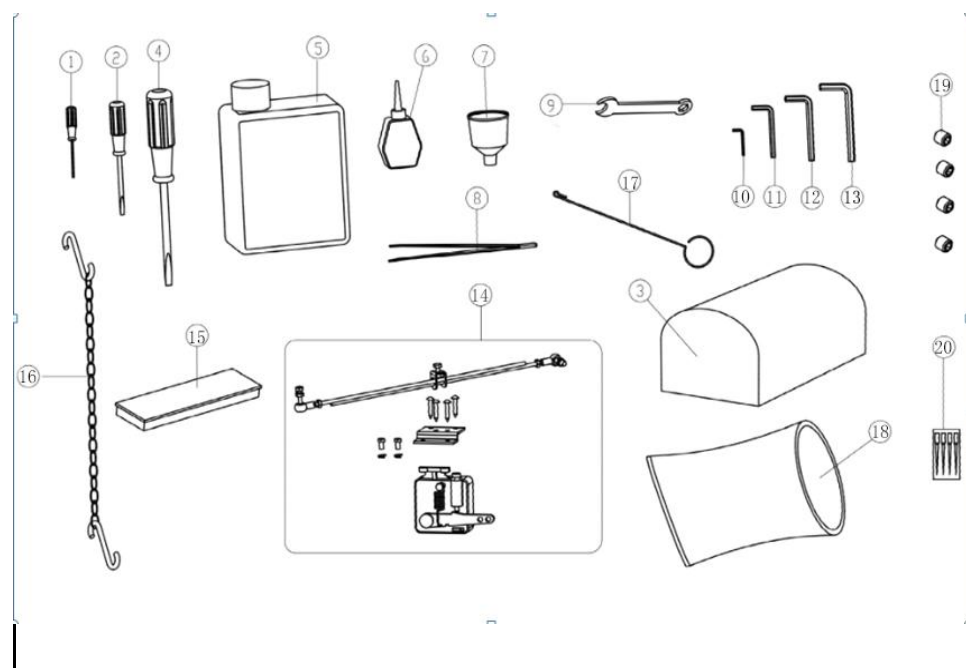
| 序号 NO. | 公司件号 Part NO. | 名称 PartName | 零件描述 Description | 数量 (Number) | | |
|--------|---------------|-------------|-------------------|-----------------|----------------|----------------|
| | | | | 三线 three-thread | 四线 four-thread | 五线 five-thread |
| 1 | 20131028 | 托盘固定螺母 | Nut | 4 | 4 | 4 |
| 2 | 20722018 | 托盘防震连接垫 | Cushion Rubber | 4 | 4 | 4 |
| 3 | 20711058 | 托架 | oil pan | 1 | 1 | 1 |
| 4 | 20712064 | 托架 | Rest Board | 2 | 2 | 2 |
| 5 | 30122031 | 减震垫圈 | Spring Washer | 4 | 4 | 4 |
| 6 | 20131030 | 防震套 | Washer | 4 | 4 | 4 |
| 7 | 20131029 | 大垫圈 | Spacer | 8 | 8 | 8 |
| 8 | 20131027 | 托盘内六角螺钉 | Screw | 4 | 4 | 4 |
| 9 | 2123100400 | 落料斗组件 | Waste Chute Assy. | 1 | 1 | 1 |
| 10 | 20131034 | 排料槽座螺钉 | Screw | 7 | 7 | 7 |
| 11 | 21231005 | 排料槽座 | Screw | 1 | 1 | 1 |
| 12 | 21231006 | 排料槽 I | Waste Chute | 1 | 1 | 1 |
| 13 | 21231007 | 排料槽 II | Waste Chute | 1 | 1 | 1 |
| 14 | 207S1046 | 螺钉 | Screw | 4 | 4 | 4 |
| 15 | 207S1019 | 螺钉M4×7.5 | Screw | 4 | 4 | 4 |



二十五、专用零件/Specific Parts

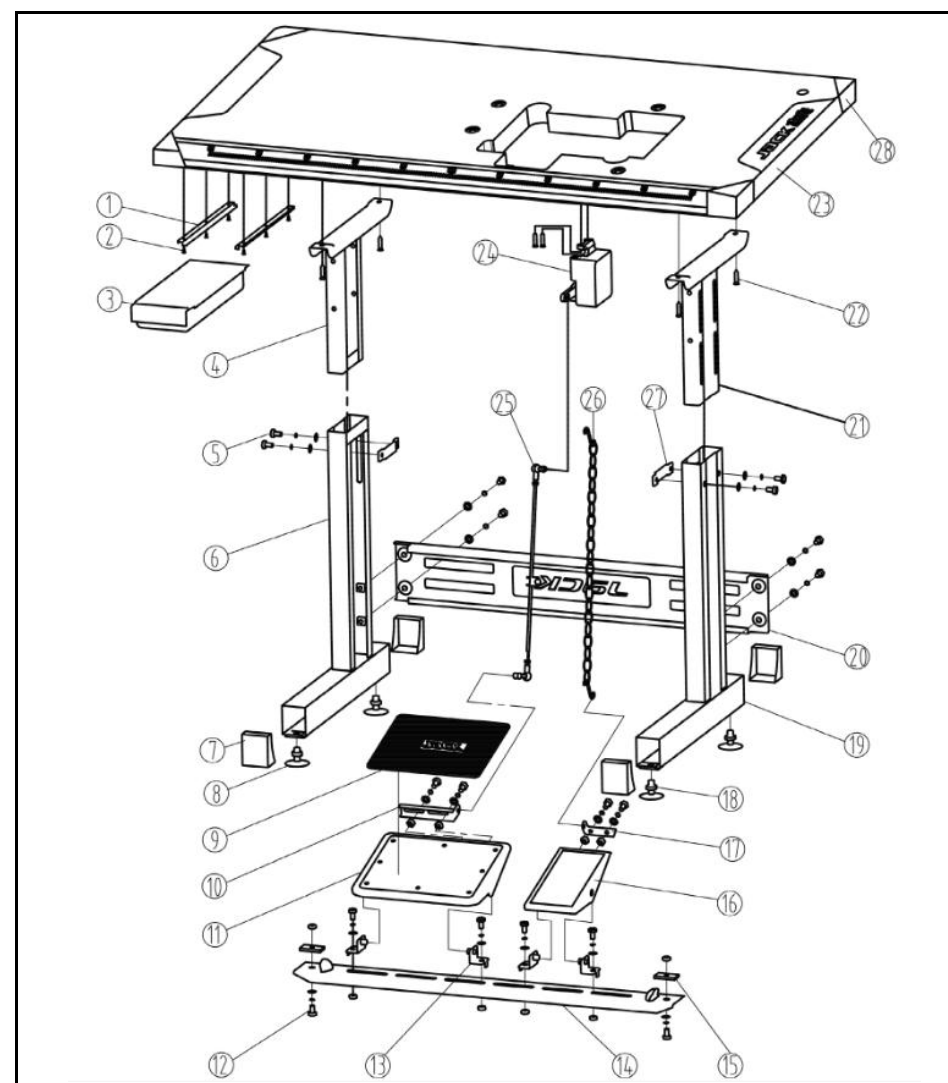
| 序号 NO. | 公司件号 Part NO. | 名称 PartName | 零件描述 Description | 数量 (Number) | | |
|--------|---------------|-------------|--------------------|-----------------|----------------|----------------|
| | | | | 三线 three-thread | 四线 four-thread | 五线 five-thread |
| 1 | 206160400 | 压脚组件 | Presser Foot Assy. | 0 | 0 | 1 |
| 2 | 20616042 | 压脚连接件 | Connection | 0 | 0 | 1 |
| 3 | S01029 | 螺钉M3.5×7.5 | Screw | 0 | 0 | 1 |
| 4 | 20616041 | 压脚架 | Pin | 0 | 0 | 1 |
| 5 | 207S11009 | 螺钉M3×4.5 | Screw | 0 | 0 | 1 |
| 6 | 20714051 | 护料压板 | Fabric Guard | 0 | 0 | 1 |

| | | | | | | |
|----|-----------|-------|--------------------|---|---|---|
| 7 | 20701054 | 压脚底板 | Baseboard | 0 | 0 | 1 |
| 8 | 20701055 | 小压脚底板 | Baseboard | 0 | 0 | 1 |
| 9 | 208S20002 | 销 | Pin | 0 | 0 | 3 |
| 10 | 20712052 | 压脚挡片 | Finger Guard | 0 | 0 | 1 |
| 11 | 20719053 | 压脚弹簧 | Spring | 0 | 0 | 1 |
| 12 | 207S11020 | 螺钉 | Screw | 0 | 0 | 1 |
| 13 | 207S20010 | 轴位螺钉 | Screw | 0 | 0 | 1 |
| 14 | xxxxxxx | 压脚组件 | Presser Foot Assy. | 0 | 0 | 1 |
| 15 | 207S11038 | 螺钉 | Screw | 0 | 0 | 1 |
| 16 | 20716063 | 压脚架 | Rack | 0 | 0 | 1 |
| 17 | 20716100 | 压脚架 | Rack | 0 | 0 | 1 |
| 18 | 207S11034 | 螺钉 | Screw | 0 | 0 | 1 |
| 19 | 20716064 | 辅助压脚 | Fabric Guard | 0 | 0 | 1 |
| 20 | 20716061 | 压脚底板 | Baseboard | 0 | 0 | 1 |
| 21 | 20716065 | 压脚底板 | Baseboard | 0 | 0 | 1 |
| 22 | 20720022 | 销 | Pin | 0 | 0 | 1 |
| 23 | 207S16011 | 螺母 | Nut | 0 | 0 | 1 |
| 24 | 207S20021 | 轴位螺钉 | Screw | 0 | 0 | 1 |
| 25 | 20727011 | 压脚弹簧 | Spring | 0 | 0 | 1 |
| 26 | 20727012 | 压脚弹簧 | Spring | 0 | 0 | 1 |
| 27 | 20716062 | 小压脚 | Baseboard | 0 | 0 | 1 |
| 28 | 20716066 | 小压脚 | Baseboard | 0 | 0 | 1 |
| 29 | 20712026 | 压脚护手 | Finger Guard | 0 | 0 | 1 |
| 30 | 20715057 | 压脚弹簧 | Spring | 0 | 0 | 1 |
| 31 | 207S11009 | 螺钉 | Screw | 0 | 0 | 1 |
| 32 | 20716050 | 压脚组件 | Presser Foot Assy. | 0 | 0 | 1 |
| 33 | 20716082 | 压脚架 | Screw | 0 | 0 | 1 |
| 34 | 207S16051 | 螺钉 | Screw | 0 | 0 | 1 |
| 35 | 20727015 | 压脚板簧 | Plate Spring | 0 | 0 | 1 |
| 36 | 20716081 | 压脚爪 | Presser Foot | 0 | 0 | 1 |
| 37 | 207S30005 | 轴位螺钉 | Pin | 0 | 0 | 1 |
| 38 | P01025 | 销 | Pin | 0 | 0 | 1 |
| 39 | 20716079 | 压脚底板 | Baseboard | 0 | 0 | 1 |
| 40 | 207S16012 | 螺母 | Nut | 0 | 0 | 1 |
| 41 | 20716080 | 小压脚底板 | Baseboard | 0 | 0 | 1 |
| 42 | 20727014 | 弹簧 | Spring | 0 | 0 | 1 |
| 43 | 20727050 | 压脚弹簧 | Spring | 0 | 0 | 1 |



二十六、随机附件部分 Accessories Assemblies

| 序号 NO. | 公司件号 Part NO. | 名称 PartName | 零件描述 Description | 数量 (Number) | | |
|--------|---------------|--------------------|--------------------------|-----------------|----------------|----------------|
| | | | | 三线 three-thread | 四线 four-thread | 五线 five-thread |
| 1 | 20131044 | 直柄内六角螺丝刀 (1.5) | Hexagonal wrench/1.5mm | 1 | 1 | 1 |
| 2 | 10131004 | 螺丝刀 (小) | Screwdriver (S) | 1 | 1 | 1 |
| 3 | 21131020 | 机头罩 | Machine head cover | 1 | 1 | 1 |
| 4 | 20731047 | 螺丝刀 (大) | screw driver (L) | 1 | 1 | 1 |
| 5 | 20731048 | 油壶 | Oil container | 1 | 1 | 1 |
| 6 | 20131038 | 小油壶 (尖嘴) | Oil container | 2 | 2 | 2 |
| 7 | 20131039 | 漏斗 | Funish | 1 | 1 | 1 |
| 8 | 20131051 | 镊子(JACK) | Tweezers | 1 | 1 | 1 |
| 9 | 20131043 | JK795-1908扳手 (8mm) | Wrench/8mm | 1 | 1 | 1 |
| 10 | 20131046 | 内六角扳手 (2mm) | Hexagonal wrench/2mm | 1 | 1 | 1 |
| 11 | 30131012 | 内六角扳手 (3mm) | Hexagonal wrench/3mm | 1 | 1 | 1 |
| 12 | 20131047 | 内六角扳手 (4mm) | Hexagonal wrench/4mm | 1 | 1 | 1 |
| 13 | 20131056 | 内六角扳手 (5mm) | Hexagonal wrench/5mm | 1 | 1 | 1 |
| 14 | 21230001 | 控制器 | Controller | 1 | 1 | 1 |
| 15 | 20131055 | 附件盒 | Attachment box | 1 | 1 | 1 |
| 16 | 20131054 | JK795-1919脚踏板链 | Chain | 1 | 1 | 1 |
| 17 | 20131052 | 线勾 | Needle threader | 0 | 0 | 1 |
| 18 | 20131062 | 机头塑料袋 | Plastic machine head bag | 1 | 1 | 1 |
| 19 | S10005 | 螺钉 | Screw | 4 | 4 | 4 |
| 20 | 见标准零件表 | 机针 | Needle | 4 | 4 | 4 |



二十七、机架部件/machine stand table assy

| 序号 NO. | 公司件号 Part NO. | 名称 PartName | 零件描述 Description | 数量 (Number) | | |
|--------|---------------|--------------|----------------------------|-----------------|----------------|----------------|
| | | | | 三线 three-thread | 四线 four-thread | 五线 five-thread |
| 1 | 13832113 | 零件导轨 | Drawer slider | 2 | 2 | 2 |
| 2 | S18002 | 螺钉 | Screw | 6 | 6 | 6 |
| 3 | 13832114 | 零件盒 | Plastic drawer | 1 | 1 | 1 |
| 4 | 1383211500 | 机架左节左 | lipper stand (left) | 1 | 1 | 1 |
| 5 | S15001 | M8*11螺栓垫圈组合件 | Bolt washer assembly M8*11 | 12 | 12 | 12 |
| 6 | 138321200 | 机架左节右 | Lower stand (left) | 1 | 1 | 1 |
| 7 | 13832104 | 支座护罩 | Rubber cover | 4 | 4 | 4 |
| 8 | 1012016 | 支座 | Stand height adjusting bas | 4 | 4 | 4 |
| 9 | 13832105 | 脚踏板垫 (大) | Large pedal pad cushion | 1 | 1 | 1 |
| 10 | 13832110 | 踏板连接件 (大) | Large pedal bracket | 1 | 1 | 1 |
| 11 | 13832106 | 脚踏板 (大) | Large pedal pad | 1 | 1 | 1 |
| 12 | L02075 | M6*11螺栓垫圈组合件 | Bolt washer assembly M6*11 | 2 | 2 | 2 |
| 13 | 1383210700 | 踏板固定件 | Pedal bracket | 4 | 4 | 4 |
| 14 | 13832108 | 踏板安装板 | Lower bar | 1 | 1 | 1 |
| 15 | 13832116 | 踏板安装板固定板 | Bolt plate | 2 | 2 | 2 |
| 16 | 21232001 | 脚踏板 (小) | Small pedal | 1 | 1 | 1 |
| 17 | 20112126 | 踏板连接件 (小) | Small pedal bracket | 1 | 1 | 1 |
| 18 | N01010 | 螺母 | Nut M8 | 4 | 4 | 4 |
| 19 | 1383210300 | 机架下节右 | Lower stand(right) | 1 | 1 | 1 |
| 20 | 13832111 | 机架连接板 | Front bar | 1 | 1 | 1 |
| 21 | 1383210100 | 机架左节右 | Upper stand (right) | 1 | 1 | 1 |
| 22 | S18001 | 螺钉 | Screw | 6 | 6 | 6 |
| 23 | xxxxxxx | 台板 | Table | 1 | 1 | 1 |
| 24 | xxxxxxx | 变速器 | Transmission | 1 | 1 | 1 |
| 25 | 2011111300 | 拉杆组件 | Motor connecting rod | 1 | 1 | 1 |
| 26 | 2013105400 | 脚踏板链组件 | Pedal chain components | 1 | 1 | 1 |
| 27 | 13832102 | 机架固定板 | Bolt plate | 2 | 2 | 2 |
| 28 | 13832129 | 台板护套 | Table cover | 4 | 4 | 4 |

| 型号 | 间距 | 针板 | 送布牙组件 | 压脚组件 | 上弯针 | 下弯针 | 连续弯针 | 针夹 | 机针 | |
|---------------|----|-----|----------|-------------|------------|----------|----------|----|----------|--------------|
| | | | | | | | | | | NEEDLE PLATE |
| E4-3-02/233 | — | 4 | 20715005 | 2071400100 | 2071600500 | 20717004 | 20717006 | — | 20734001 | DC×2789 |
| E4-3-02R2/223 | — | 2 | 20715019 | 20714007 | 2071601000 | 20717004 | 20717006 | — | 20734001 | DC×2789 |
| E4-3-02/233 | — | 4 | 20715019 | 2071402000 | 2071601700 | 20717004 | 20717006 | — | 20734001 | DC×2789 |
| E4-3-12/233 | — | 4.5 | 20715009 | 20714006 | 2071600600 | 20717004 | 20717006 | — | 20734001 | DC×2789 |
| E4-4-03/323 | 2 | 4 | 20715020 | 20714702000 | 2071601800 | 20717004 | 20717005 | — | 20734002 | DC×2789 |
| E4-4-03/333 | 2 | 4 | 20715002 | 2071400100 | 2071600200 | 20717004 | 20717005 | — | 20734002 | DC×2789 |

| 型号 | 间距 | 上刀 | 下刀 | 弯针护针 | | 机针护针 | | |
|---------------|----|-----|----------|----------|---|------|----------|----------|
| | | | | 前 | 后 | 前 | 后 | |
| E4-3-02/233 | — | 4 | 20619002 | 20619003 | — | — | 20717113 | 20717002 |
| E4-3-02R2/223 | — | 2 | 20619002 | 20619002 | — | — | 20717113 | 20717002 |
| E4-3-02/233 | — | 4 | 20619002 | 20619002 | — | — | 20717113 | 20717002 |
| E4-3-12/233 | — | 4.5 | 20619002 | 20619002 | — | — | 20717113 | 20717002 |
| E4-4-03/323 | 2 | 4 | 20619002 | 20619002 | — | — | 20717113 | 20717002 |
| E4-4-03/333 | 2 | 4 | 20619002 | 20619003 | — | — | 20717113 | 20717002 |

| 型号 | 间距 | 针板 | 送布牙组件 | 压脚组件 | 上弯针 | 下弯针 | 连续弯针 | 针夹 | 机针 | |
|-----------------|----|----|----------|------------|------------|----------|----------|----------|----------|--------------|
| | | | | | | | | | | NEEDLE PLATE |
| E4-4-03/333/0/W | 2 | 4 | 20715002 | 2071400100 | 2071600200 | 20717050 | 20700248 | — | 20734002 | DC×2789 |
| E4-5-03/233 | 5 | 5 | 20715016 | 2071401700 | 2071601900 | 20717004 | 20717006 | 20712047 | 20734004 | DC×27814 |
| E4-5-03/333 | 3 | 4 | 20715008 | 2071400400 | 2071600600 | 20717004 | 20717006 | 20712047 | 20734003 | DC×27814 |
| E4-5-A04/435 | 5 | 6 | 20715050 | 2071405200 | 2061604000 | 20717050 | 20717006 | 20717051 | 20719056 | DC×27819 |
| E4-5-02A/223 | 3 | 4 | 20715051 | 2071405400 | 20716050 | 20717004 | 20717006 | 20712047 | 20734003 | DC×27811 |

| 型号 | 间距 | 上刀 | 下刀 | 弯针护针 | | 机针护针 | | |
|-----------------|----|----|----------|----------|----------|----------|----------|----------|
| | | | | 前 | 后 | 前 | 后 | |
| E4-4-03/333/0/W | 2 | 4 | 20619002 | 20619002 | — | — | 20717001 | 20717002 |
| E4-5-03/233 | 5 | 5 | 20719002 | 20619003 | 20717008 | 20717002 | 20712045 | 20701032 |
| E4-5-03/333 | 3 | 4 | 20619002 | 20619003 | 20717008 | 20717002 | 20712045 | 20701032 |
| E4-5-A04/435 | 5 | 6 | 20719050 | 20701053 | 20717008 | 20717002 | 20712045 | 20701032 |
| E4-5-02A/223 | 3 | 4 | 20719001 | 20619003 | 20717008 | 20717002 | 20712045 | 20701032 |

杰克缝纫机股份有限公司

杰克缝纫机

全球销量遥遥领先

公司地址: 台州市椒江区机场南路十五号
 邮编: 318000
 国内销售部:
 电话: 0086-0576-88177788 88177789
 传真: 0086-0576-88177758
 国贸部:
 电话: 0086-0576-88177782 88177774
 传真: 0086-0576-88177787
 免费售后服务电话: 400-8876858