

JK-8009VC

产品使用说明书&产品零件图册

Manual book & parts book

JACK 杰克

工业缝纫机安全使用注意事项：

1. 必须遵守基本措施；
2. 必须经过专业培训，对缝纫机设备性能、
3. 使用前应检查所有安全装置；
4. 在安装机针、更换机针、压脚、针板、送布牙、弯针、旋梭或修理时，应立即关闭电源；
5. 离开缝纫机或工作场所时应关闭电源；
6. 使用离合马达时，要等待马达完全停止后再进行；
7. 缝纫机及附属装置使用的机油，润滑油等液体流入眼睛或沾到皮肤上应立即清洗；
8. 禁止用手触摸缝纫机通电时的零件或装置；
9. 有关工业用平缝机与包缝机的修理、改造、主要机构的调整由专门技术人员来进行；
10. 一般的维修保养由专人进行；
11. 在电气方面的修理应在电气技术员的监督和指导下进行；
12. 缝纫机使用期间应定期清扫；
13. 为了正常安全运转，应安装地线，同时应在不受高频焊接机等强噪声源影响的环境下使用；
14. 电源插头应由专人安装；
15. 工业用平缝机、包缝机在指定用途以外不能使用。

环保要求：

1. 使用过程中产生的废油及其他废弃物请根据当地环保的要求进行合理的处置。
2. 请在使用完后及时关闭电源，减少电能的消耗。
3. 请在说明书要求的电压及环境下使用，已延长产品的使用寿命，减少废弃物的产生。
4. 机器报废后请勿将本机器及其附件作为普通的生活垃圾处理。请遵守本设备及其附件处理的本地法令，并支持回收行动。

Notes for safe use of industrial sewing machines:

1. Basic measures must be observed.
2. Pass the specialized training and master sewing machine equipment performance.
3. All safety devices should be checked before use.
4. When installing needle, and changing needle, presser foot, plate, feed dog, bent needle, hook or repairing, the power supply should be turned off immediately.
5. Power should be turned off when leaving the sewing machine or workplace.
6. When using the clutch motor, please wait until the motor stops completely.
7. The machine oil and other liquids used in sewing machines and ancillary devices should be cleaned immediately when they are put into eyes or touch skin.
8. Do not touch the parts or devices when the machine is powered by hand.
9. The repair, renovation and adjustment of the main mechanisms of the relevant industrial sewing machines and overseers shall be carried out by specialized technicians.
10. General maintenance is carried out by specially-assigned persons.
11. Electrical repairs should be performed under the supervision and direction of the electrical technician.
12. The machine should be cleaned regularly during operation.
13. In order to operate normally and safely, ground lines should be installed, and they should be used in an environment free from strong noise sources such as high frequency welding machine.
14. Power plug should be installed by specially-assigned person.
15. Industrial lockstitch sewing machine and overlock sewing machine can not be used except the designated use.

Environmental requirements:

1. Please dispose the waste oil and other waste products properly according to local environmental protection requirements.
2. Please turn off the power after use to reduce power consumption.
3. Please use under the voltage and environment required in the manual to extend the service life of the product and reduce waste generation.
4. Do not treat the machine and its accessories as ordinary household garbage after being scrapped. Please comply with local laws governing the disposal of the equipment and its accessories and support recycling operations.

目 录

CONTENTS

JK-8009VC 使用说明/Use Manual	1
一、机壳部件/Frane assemblies	5
二、缝台盖部件/Cloth plate assemblies	7
三、送料部件/Feed assemblies	9
四、主轴部件/Crankshaft drive assemblies	11
五、勾线部件/Thread takeup assemblies	13
六、喂针部件/Needle feeding assemblies	17
七、针杆部件/Needle bar assemblies	19
八、压脚部件/Presser foot assemblies	23
九、夹线器部件/Tension spring assemblies	25
十、油泵部件/Lubrication assemblies	27
十一、传送部件/Transmission assemblies	29
十二、后凸轮架部件/After cam Fight assemblies	31
十三、后凸轮部件/After cam assemblies	33
十四、附件部件(1)/Accessories assemblies	35
十五、附件部件(2)/Accessories assemblies	37
十六、附件部件(3)/Accessories assemblies	39
十七、DI 直驱专用部件/DI special for direct drive assemblies	41
标准度量零件表/Standard measurement part list	43

⚠️ 为了安全

对于缝纫机本身各种装置，我们充分考虑到它的安全性。请遵照基本的操作方法，安全的进行工作。

- 拆除为保证安全所设置的装置，零件的情况下使用，是非常危险的，请绝对不要拆除后使用。
- 缝纫机在使用时，请不要在缝纫机台板上放置工具及缝纫时不必要的物品。
- 在对缝纫机进行检修、调节、清扫、穿线、换针等工作时，为防止发生事故，务必请切断电源，在确认即使踩下缝纫机踏板，缝纫机也不转动之后，再进行操作。

⚠️ OBSERVE THESE SAFETY PRECAUTIONS

Though Our takes the utmost care to produce safe sewing machines and devices, operators should follow these basic safety rules.

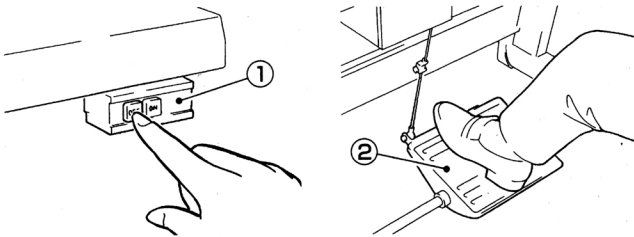
- To prevent accidents, do not remove safety devices or parts while operating the machine.
- Do not leave tools or other unnecessary objects on the machine table while operating the machine.
- Before maintenance, adjusting, cleaning, threading or replacing the needle, and to prevent accidents, be sure the power is turned off. Check that the machine will not operate when the pedal is pressed.

注意

使用离合式马达的情况下，在关掉电源①后因惯性作用会继续旋转。这时如不注意踩动缝纫机踏板②时，缝纫机会突然动作，这是很危险的。请在关掉电源后，仍继续踩动踏板②，直至缝纫机完全停下来为止。

Note

In case a clutch type motor is used, it will keep on rotating by inertia after turning off power supply. ①If the machine pedal ②is stepped on inadvertently, it is dangerous because the machine will move unexpectedly. keep on stepping on the pedal ② until the machine comes to a stop after turning off power supply.



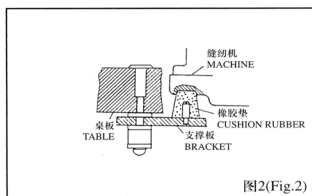
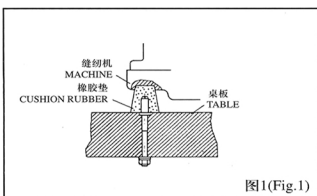
- 在离开缝纫机台时，务必请关掉电源。
- 停电时也请务必关掉电源。
- 为了总是安全地，运转良好的使用缝纫机，日常的点检是不可缺少的，请予以注意。
- Turn the power off before leaving the machine table.
- In the event of a power failure, be sure to turn the machine off.
- Check that the machine is securely grounded.

一、机器如何安装

1、依本机器所付桌板裁制图及零件组合图所列配件，依序安装防震机座及线架 (图1&2)

How to set up a machine

1、With referenceto diagrams for table cutting and mounting partlist,install vibration-reducing base and thread stand in sequence (Fig.1&2)



2、马达转向为顺时针方向，皮带的松紧度以手指向内压下20mm宜为，同时为安全起见，把皮带轮盖必须锁上。(图3&4)

2、Mount the machine head over the rest board Connect the machine hand wheel to the clutch motor with the V-belt.Adjust the tension of the V-belt so that it can be about 20 mm bent inward when you presse the center of V-belt and make sure the clutch motor turning direction is clockwise as shown Figure 3.Install the belt cover according to Figure 4.

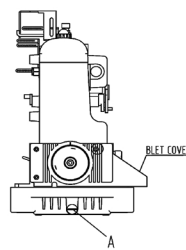


图3 (Fig.3)

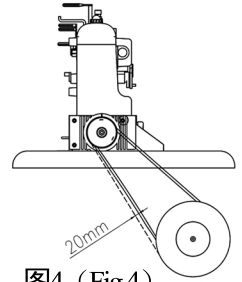


图4 (Fig.4)

3、皮带轮及缝纫转速，请参照 (表2)

3、Motor pulley size and sewing speed, please refer to table No2

表1 (Table.1)

Machine Speed (s.p.m.) 转速 / 分	Motor Pulley Outer Diameter (mm)	
	60Hz	50Hz
4,500	90	105
4,000	80	95
3,500	70	85

注意:

- 1、使用新机器最初一个月转速约为最高转速 (表1) 的80%，并请选择正确的马达皮带轮尺寸 (表1)。
- 2、桌板厚度为40mm。
- 3、马达规格：离合器马达，3相2级400W (1/2HP)。

Note:

- 1、New machine run a speed approximately 80% of the Maximum speed in the first month (table.1).Be sure to choose proper motor pulley for your machine.
- 2、Table top is 40mm thick.
- 3、Specification of motor:clutch motor 3,phase,2poles,400W (1/2HP)

二、润滑油的注入与更换

新机器运装前均已将有倒尽

(1) 润滑油的注入 (图5&6)

- 将螺丝A旋开，以包装箱内所附的超高速润滑油或选用MOBIL#10或AGIP等相当的机油加入，使油面处于油标两刻度线之间为好，然后在锁紧螺丝A；
- 开箱新机器或久置未使用重新要用时，请在针棒、上钩针台等加油润滑。

(2) 润滑油的更换 (图3)

- 将螺丝A放松旋开，使油完全排出后再锁紧；
- 为延长本机器的寿命，请于开始使用四个星期更换新油后约四个月更换一次。

(3) 滤油器的更换 (图7)

- 本机器特别装有滤油器，约每使用一个月后卸下清洗，必要时更换新品。

Lubricant oil filling and change

New machines are shipped out with empty chambers .please fill lubricant oil imto new machines before run them.

1.Filling lubricant oil :(Fig.5&6)

- Loosen Knob (A) fill in with accompanied super-high-speed lubricant oil its equivalent such as Mobil#10 or #32,until the oil up be-fween two marks :(Fig.3)

2. Lubricant oil change :(Fig.3)

- Loosen Knob (A) drain oil from the tank, then tight it up.
- In order to p ro-long machine life ,please change lubricant oil after 4 week of operation. There after,change oil every 4 months.

3. Replacing oil filter: (Fig.7)

- Our machines are equipped with oil filters.Take our the filters and clean them up every month.Replace with new filters if necessary.

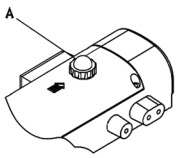


图5 (Fig.5)

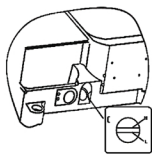


图6 (Fig.6)

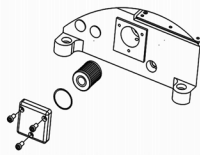


图7 (Fig.7)

三、针的更换

选用针的规格与尺寸请参照(表2)

For specification and sizes of needles, please refer to (table.2)

NEEDLE SYSTEM 针 规格	NEEDLE SIZE 针 番 号
SCHMETZ UY113GS	#70 - #160
ORGAN Uo113	#11 - #18

1. 拧下螺钉(A)并取下针。(图8)
2. 将新针插至含针孔最底端,并使针的凹面向自己。
3. 重新锁紧螺钉(A)。
4. 针与勾针有密切的关系。如果机针安装不正确,不但会引起跳针、断针会损伤勾针,务必注意。

How to replace needles

1. Loosen screw (A) and take out the used needle.(Fig.8)
2. Put new needle into the holder holes as they can go and left the long groove of needle face you and Fasten Screw (A)
3. Needle and loopers have close interaction.improper needle setting will skipping stitches,breaking Threads,and damaging loopers,please Pay fing attention to needle installation.

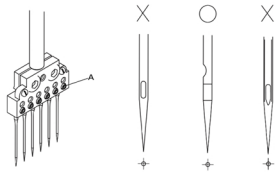


图8 (Fig.8)

四、穿线方法

1. 按照图示穿线, 错误穿线将引起断线、跳针或缝纫线迹不良等现象。
2. 在穿勾线时, 将勾线座引出轴沿箭头方向拉出使勾线座向前弹出, 然后进行穿线。(图10)

Threading

1. Refer to the sewing type you need for correct threading .Any incorrect threading may cause thread brake 、 uneven stitches or skip stitches. (Fig.9)
2. For looper threading ,pull out the lever of looper set the arron then thread properly .cause thread brake 、 uneven stitches or skip stitches. (Fig.10)

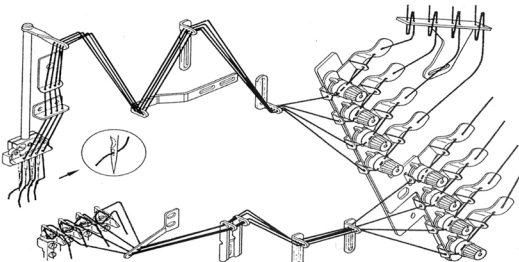


图9 (Fig.9)

五、控线的调整

1. 控线强弱必须根据车缝材料种类, 厚薄以及线与针距等不同来进行调整。
- 将控线钮顺时针旋转时越紧, 反之则越松。

2. 针控线杆的调整(图11)针线控线杆(B)根据缝线的种类来选择使用状态, 放松螺钉(A)将(B)上下移动调整, 在使用伸展性较大的缝线时将(B)上移, 则针孔处的线环就会变大, 利于勾线。

Thread tension adjustment

1. Thread tension should be adjusted in regarding to kinds of threads fabrics, thickness of fabrics ,and stitch length etc. (Fig.9)
- Turn thread knob clockwise for tighter tension and vice versa (Fig.11)
2. Adjustment.(Fig.12) The position for Needle thread Take-up Lever (B) is adjustable according to thread used. Loosen screw (A) ,move lever (B) up and down for the optimum position .For instance ,when using high extension thread ,move lever (B) upward to make a bigger needle thread loop for lower to chain easily.

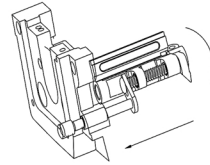


图10 (Fig.10)

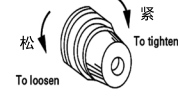


图11 (Fig.11)

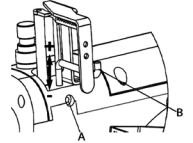


图12 (Fig.12)

六、机针高度调整

1. 当针杆上升至最高点时, 调整针尖与针板面的距离为 13 ± 0.5 mm。(图13)
2. 打开上方侧盖橡胶塞(A), 并松开螺钉(B), 上下调整机针高度后在固定螺钉。(图14)

注意:

机针高度调整后, 必须确定每一根针是通过针板孔中央。(图14)。

Needle position adjustment

1. Needle tip should be 13 ± 0.5 mm height from Needle plate when Needle Bar mores to its top position. (Fig.13)
2. The position of needle bar can be adjusted by [1] removing rubber cap (A) and loosening nut (B) ,[2] moving needle bar up and down ,to proper position and [3] tightening screw (B) ,and insert in cap (A). (Fig.14)

Note:

Be sure that every needle goes through the center of needle holes on Needle plate. (Fig.15)

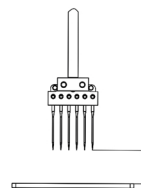


图13 (Fig.13)

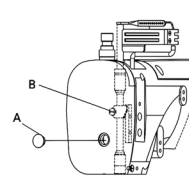


图14 (Fig.14)

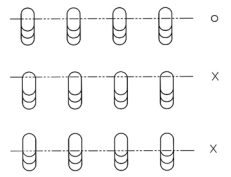


图15 (Fig.15)

七、护针的调整

拧松螺钉(A), 调整护针使与机针的间隙为 $0-0.1$ mm(图16)后再锁紧螺钉(A)。

Needle guide adjustment

Loosen screw (A) to allow a gap of $0-0.1$ mm between needles and needle Guide (Fig.16) then tighten screw (A)。

八、针与弯针的调整

1. 将弯针插入弯针架上, 并稍微锁紧螺钉(A)。图(16)
2. 转动手轮使针上升并使弯针尖向前至针的中心线。图(17)
3. 调整弯针尖与机针侧的间隙为 $0-0.5$ mm, 再锁紧螺钉(A)。

Adjustment between needles and loopers

1. Put Loopers into Looper holder with screw (A) slightly tightened. (Fig.16)
2. Turn pulley to move looper point up to the center line of needle.(Fig.17)
3. Adjust the gap between needle tip and looper tip to be $0-0.05$ mm ,Tighten screw (A) up.

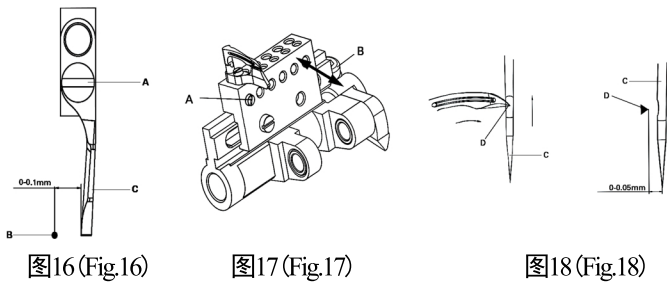


图16 (Fig.16)

图17 (Fig.17)

图18 (Fig.18)

九、弯针的调整

当机针位于最低点时，弯针尖端与针中心线之间的间隙为2.8mm(图19)调整时将弯针底座驱动杆固定螺钉(B)放松，前后调整弯针座后在锁紧螺钉(B)。(图17)

LOOPER ADJUSTMENT

When needles are at the bottom end position, the distance between looper tips and the center line of needles is 2.8mm. (Fig.19) To adjust the position of looper, first loosen nut (B) on looper Holder and move back and forth to the proper position. Then tighten nut (B). (Fig.17)

十、针杆上下运动与弯针的位置关系

针棒由最低点开始往上移，且弯针尖由后死点往前移至右边如(图20) (A)所示位置时，弯针尖由前死点位置往后移至针的右边如(图19) (B)所示位置，弯针即为正确位置。

调整时将弯针前后带动偏心凸轮(A) (图21)的固定螺钉(B)放松，前后调整偏心凸轮(A)的位置，向前移则针对弯针的时间较快，向后移则较慢。

Timing of needle and loopers movement

While needles move up from bottom end position and loopers also move forward from rear end position until looper point reach the right side edge of needle (Fig.20)(A), the looper point should be 1.5mm away from the top edge of needle eye.

While needles move down from top end position and loopers also move backward to front end position until same location as above shown on Fig.20(B). Looper point should be 3.0mm away from the top edge of needle eye. For adjustment by loosening screws (B) and move the position of Eccentric Cam (A) (Fig.21) back and forth, the speeds of needles and loopers. Movement can be adjusted slower or faster coordinately.

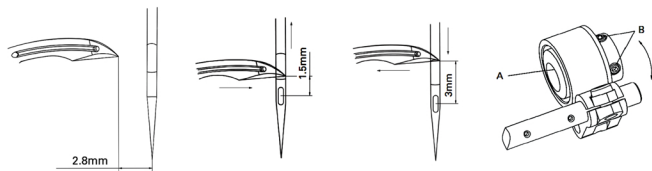


图19 (Fig.19)

图20 (Fig.20)

图21 (Fig.21)

十一、弯针与拨线杆的关系

当拨线杆(A)于左死点位置时，拨线杆(A)右端与弯针右端之间的间隙为0.5-1mm。(图23)而弯针与拨线杆(A)之间的间隙为0-0.1mm。(图24)调整时：

- 1.先拧松在稍微锁紧拨线杆心轴固定螺钉(C) (图23)。
- 2.旋转手轮使拨线杆心轴连杆(D)移至左死点位置。
- 3.调整使符合上述条件、再锁紧螺钉(C)。

Interrelation of and thread weavers

When thread weavers are at the left dead end position, the right side of thread weavers is away from the right side of loopers by 0.5-1mm (Fig.23) And, the gap between loopers and Thread Weavers is 0-0.1mm (Fig.24).

For adjustment:

1. Loosen but slightly screw (C) on the shaft of thread weavers (Fig.23)
2. Turn belt pulley to move the lever of thread weavers (D) to left dead end.
3. Adjust loopers and thread weavers to meet all requirements mention above then tighten screw (C).

十二、拨线杆的固定

拨线杆(A)与机针间隙如(图22)所示为0.2-0.4mm，当针杆在下死点位置时，将固定螺钉(B) (图23)拧松，并调整拨线杆(A)至(图22)所示尺寸并注意各杆的平行，再锁紧螺钉。

Setting of thread weavers

The gap between thread weavers and needles is (Fig.22), about 0.2-0.4mm. Move needle bar to its low bottom end position then loosen screws (B) (Fig.23) and move thread weaver to position shown (Fig.22), then tighten screw (B). Be sure all Thread Weavers are paralleled when tightening screw (B).

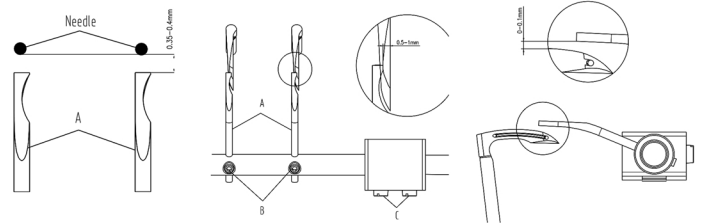


图22 (Fig.22)

图23 (Fig.23)

图24 (Fig.24)

十三、弯针线挑线量的调整

当针尖下降至弯针背面的中心位置时，弯针线挑线杆(A)也正好由下死点开始往上抬。

挑线量调整：图(25)

- 1.先放松偏心凸轮(F)固定螺钉(C)前后调整至正确位置，再锁紧(C)，往前摆动快，往后摆动慢。

- 2.微调时，拧松螺钉(E)，将过线器(B)上下移动调整再锁紧螺钉(E)。线的出线量因所使用的线而异，其出线量为：

棉线，SP线：7-10mm (D) (图26)。

伸缩尼龙线：10-15 (D) (D) (图26)。

Adjustment of looper thread take-up

When the needles tip were moved down to the position of the center of loopers back, the looper thread take-up lever (A) starts to move upward from its bottom dead end.

For adjustment (Fig.25)

1. Loosen screw (C) to release eccentric cam (F) and move eccentric cam to a proper position, by turning forward for faster and backward for slower take-up motion, Then tighten screw.

2. For micro-adjustment: Loosen screw (E) and move Thread Guide (B) up and/or down to the proper position then tighten screw (E). The quantity of thread feeded varies with the kinds of thread.

For refence:

Cotton \$ sp headr: 7-10mm (D) (Fig.26)

Nylon thread : 10-15mm (Fig.26)

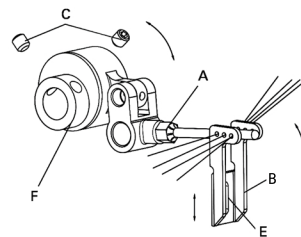


图25 (Fig.25)

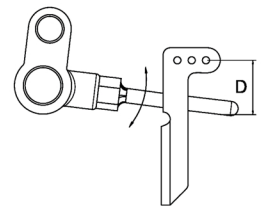


图26 (Fig.26)

十四、送布牙的调整

送布牙(C)升至最高点时，送布牙齿顶与针板面的距离为0.8-1.5mm，平均为1.2mm。(图27)

送布牙的调整：(图28)

- 1.拧松送布牙(C)的固定螺钉(A)。
- 2.上下移动送布牙(C)使符合上述条件时，再锁紧螺钉(A)。
- 3.将高度固定销(D)的固定螺钉(B)松开，调整固定销直到送布牙的底部再锁紧螺钉(B)。(图28)
- 4.此时应该确认送布牙(C)左右方向的平行。

Feed dog adjustment

When feed dogs (C) move to the highest position, the distance from the tips of feed dogs to the face of Needle plate is 0.8-1.5mm. The average is 1.2mm (Fig.27). For adjustment: (Fig.28)

1. Loosen screw (A) on Feed Dog (C).
2. Move Feed Dog (C) up and/or down to meet above requirement then tighten screw (A).
3. Loosen screw (B) and move stop pin (D) upward to the bottom of Feed Dog (E), then tighten screw (B) (Fig.28)
4. Be sure to check the parallel among feed dogs.

十五、送布牙平行的调整

送布牙上升至最高时应与针板平行(图27)。调整:

夹紧螺栓(F), 将螺帽(G)放松, 调整送布牙螺钉(E), 使送布牙(C)与针板平行(图28)再锁紧螺帽(G)。

Feed dog's parallel adjustment

When the feed dogs are at the highest position they should be parallel to Needle plate surface (Fig.27). For adjustment:

Holding screw nut (F) firmly and loosen screw (G) then to adjust screw (E) for the teeth surface of Feed Dogs, is paralleled needle plate (Fig.28)

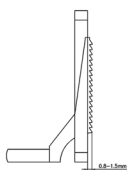


图27 (Fig.27)

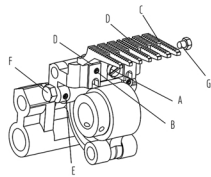


图28 (Fig.28)

十六、针距的调整

1. 压下针距调整按钮(A), 并转动手轮, 使按钮卡住针距调整组件, 再转动手轮到所需针距后, 放松此按钮。(图29)
2. 欲增大针距时, 将手轮往逆时针方向旋转, 反之则小, 调整针距时, 马达需在停止状态。

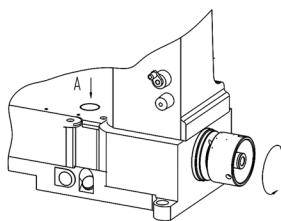


图29 (Fig.29)

Stitch length adjustment

1. Push stitch length regulator bottom (A) and turn pulley until the bottom lock in the stitch regulator. Then, turn pulley again to reach desired stitch length, then release the bottom (Fig.29).
2. Turn pulley clockwise for longer stitch length, vice versa. Be sure to turn off motor when adjusting.

十七、后拖轮的调整

当针杆由下极限位置往上移24mm, 后拉引轮开始转动, 即为正确的位置关系。

调整: (图30)

1. 拧松偏心凸轮(B)固定螺钉(A)后, 再稍微锁紧。
2. 旋转手轮至上述条件后, 再锁紧螺钉(A), 往前转则变快, 往后则变慢。

Rear puller adjustment

When needle bar moves upward from its dead bottom end about 24mm, the rear pulley cam starts moving. To adjust: (Fig.30)

1. Loosen screws (A) on eccentric cam (B) then tighten a little bit.
2. Turn pulley to have Needle Bar and rear puller reach their proper interrelated position. Then tighten screw (A). Turn eccentric cam forward to have faster motion. Vice versa.

十八、后拉引滚轮供给量的调整

1. 取下上盖, 拧松连杆(A)上的螺帽(B)。(图31)
2. 将连杆(A)前后移动, 往前移动(C方向)则供给量小, 往后移(D方向)则供给量大。
3. 微调时, 放松螺帽(A)将连杆(B)上下移动, 往上量多。(图32)

Feeding adjustment of rear puller

1. Take off cover and Release nut (B) on connector (A). (Fig.31)
2. Move connector (A) back and forth for more or less feeding length, toward (C) direction reduce feeding length.
3. For micro adjustment, release nut (A) and move connector (B) upward for longer and downward for shorter feeding length respectively. (Fig.32)

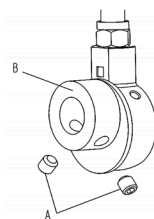


图30 (Fig.30)

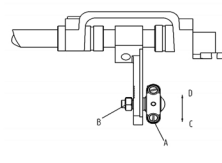


图31 (Fig.31)

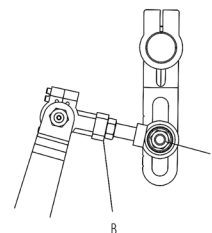


图32 (Fig.32)

十九、上下滚轮间隙的调整

上下滚轮的间隙: 将下滚轮放至下死点在自由状态时, 上滚轮与下滚轮的齿间隙为0.5mm (图33), 且两滚轮平行。调整:

1. 两滚轮平行调整: 将螺钉(A)放松, 调整两滚轮平行后, 稍紧螺钉(A)上下移动固定座(C), 使上下滑动顺畅, 再锁紧螺钉(A)。(图33)
2. 间隙0.5mm的调整: 如图(图34)所示, 调整螺钉(H), 使上下滚轮的间隙为0.5mm再锁紧螺帽(D) (图34) 稍放松螺钉(K)并调整连杆(J), 使螺钉(L)与连杆(J)的长圆孔下方的间隙为0.5mm, 再锁紧螺钉(K)。
3. 上滚轮压力的调整: 将压力调整螺钉(A)往顺时针方向转动, 则压力加大, 反之压力减小。(图35)

Gap adjustment of top and lower rollers

The teeth gap between top and lower rollers should be 0.5mm (Fig.33), when the lower roller is free and at its dead bottom end and parallel to the top roller.

To adjust:

1. Paralleling adjustment: Paralleling Loosen screw (A) and top and lower rollers parallel. Tighten screw (A) slightly and move frame Base (C) up and down to its smooth. The tighten screw (A). (Fig.33)
2. Gap referring (Fig.34): Loosen nut (D) and turn screw (H) to reach 0.5mm gap between top and lower rollers. Then tighten screw nut (D). (Fig.34) release screws (K) slightly and adjust connector (J) to keep the space between the bottom edge of screw (L) and the edge of slot on connector (J) at 0.5mm. Then tighten screw (K).
3. Pressure adjust: Turn pressure control knob (A) clockwise to increase the pressure of top roller, vice versa (Fig.35).

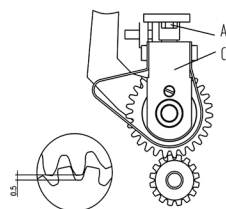


图33 (Fig.33)

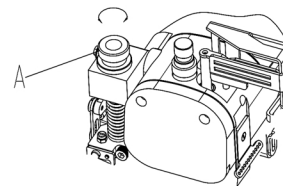


图35 (Fig.35)

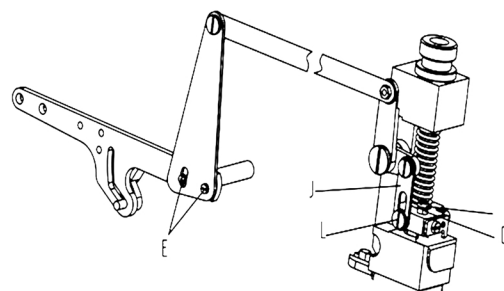
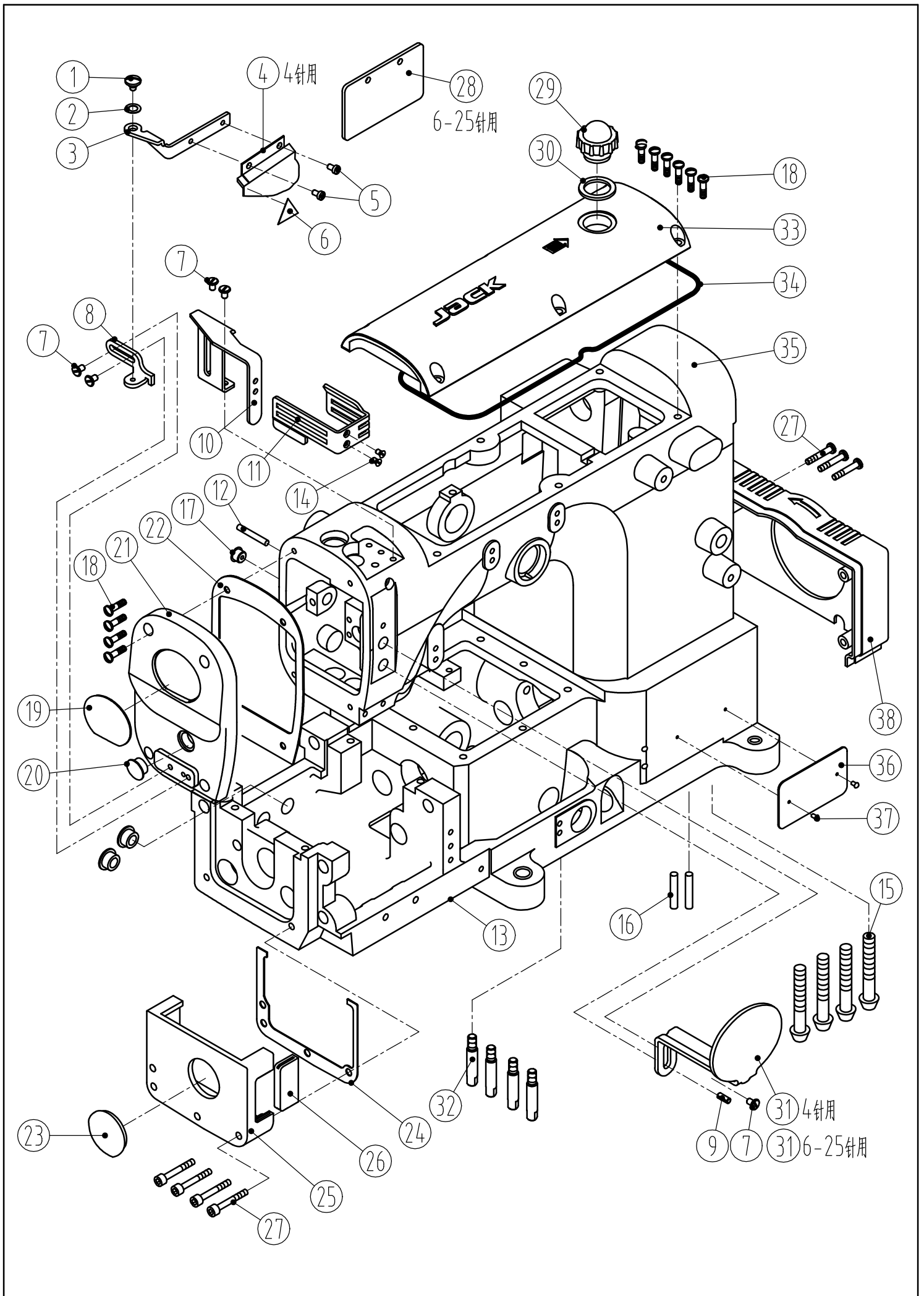
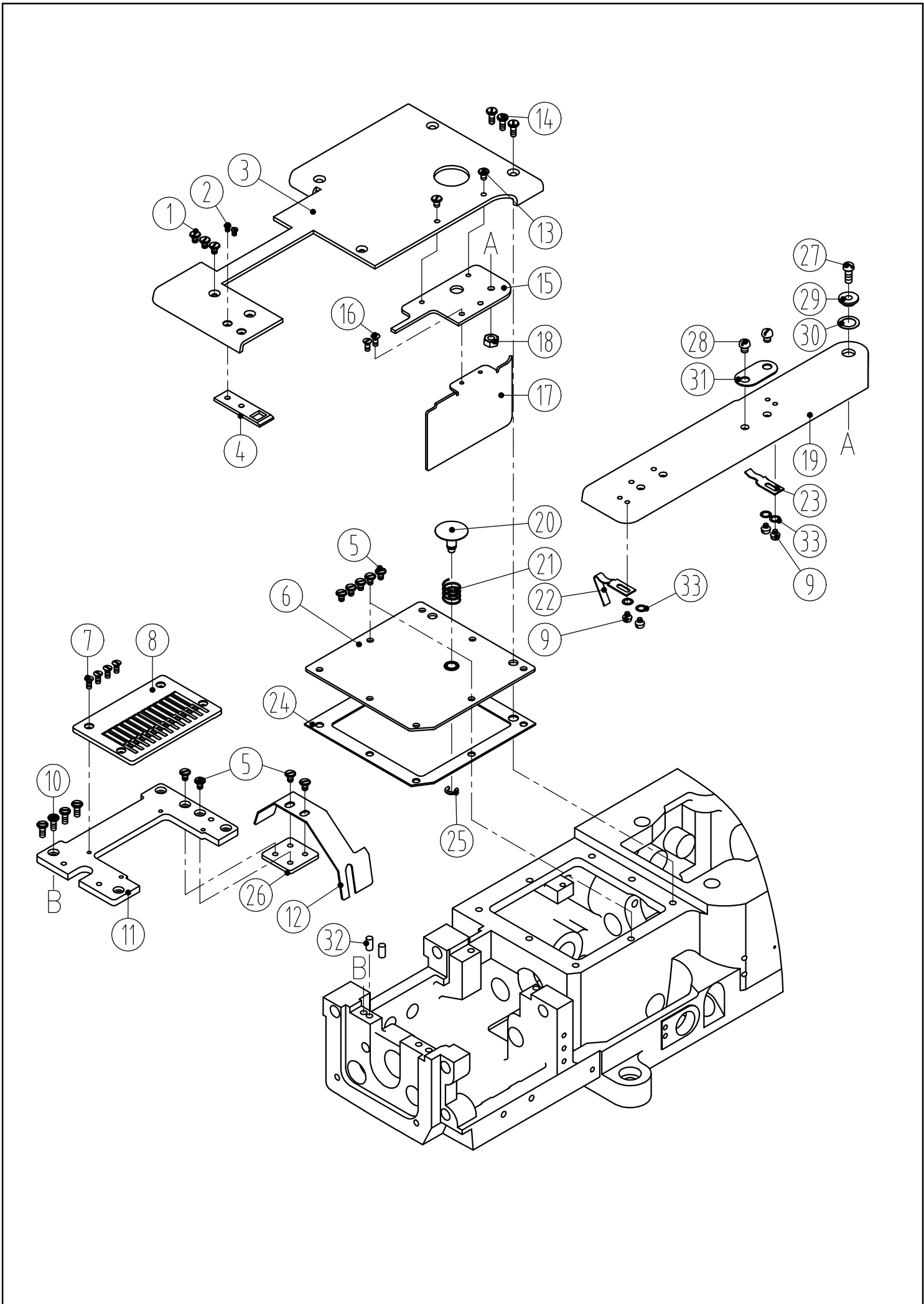


图34 (Fig.34)



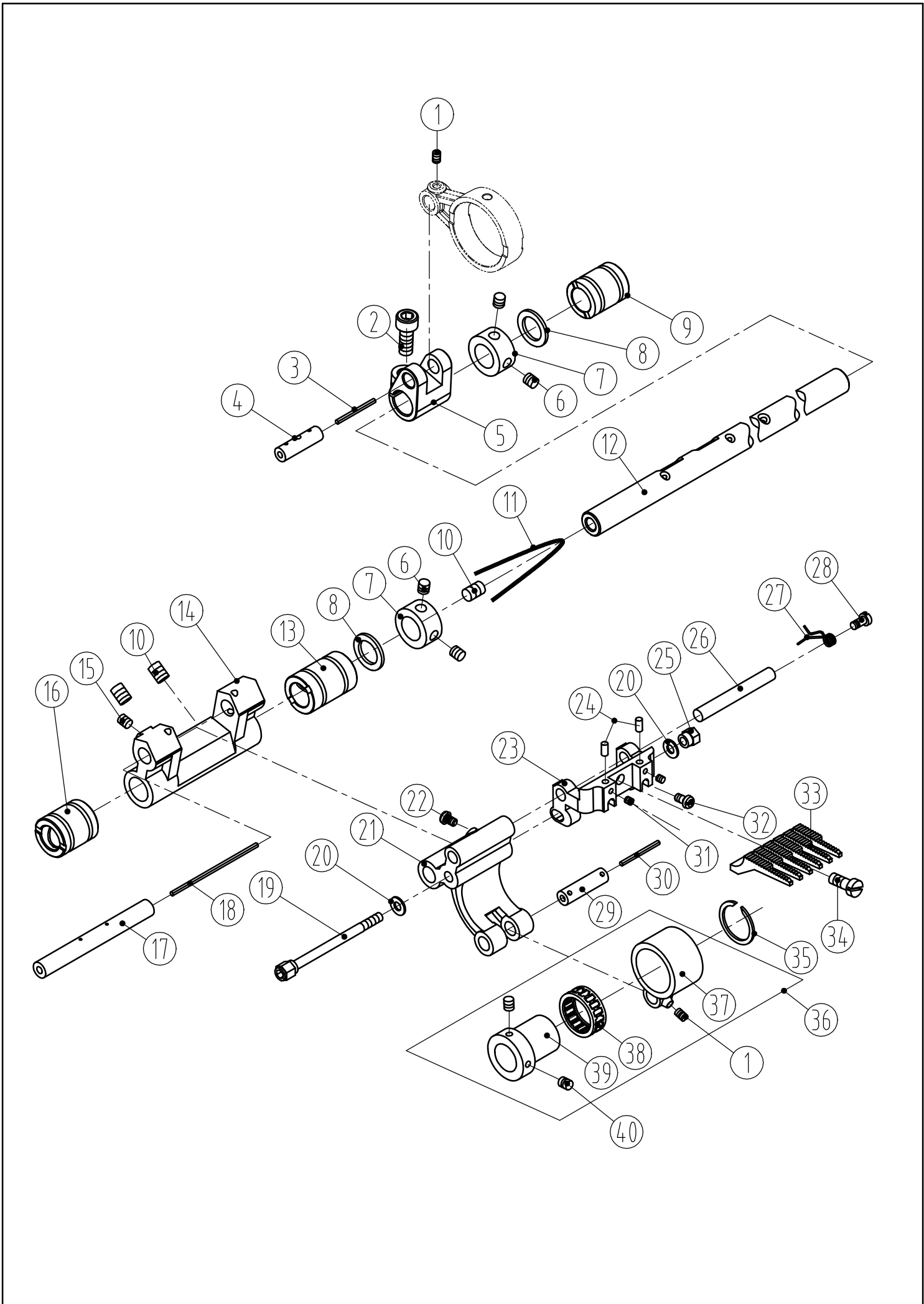
一、机壳部件/Frane assemblies

序号 No	件号 Par No.	参考件号 Ref.Part.No	名称	Description	数量 Number	备注 Remark
1	305S20001	SM49E	轴位螺钉M4	Screw	1	
2	30528001	KP60	波形弹性垫圈 $\phi 6.4 \times \phi 11 \times 0.3$	Washer	1	GB/T955
3	30512001	DA80	断针防护罩架	Eye Guide Assy.	1	
4	30511001	KC69	断针防护罩(4针)	Eye Guide Assy.	1	4针机专用
5	S04016	SM132	复合槽圆柱头螺钉M3.5×6	Screw	2	
6	20131063	MA84	警告牌	Brand	1	
7	113S11004	SM433	开槽圆柱头螺钉M4×8	Screw	5	
8	30512002	MA79	断针防护罩架座	Guide	1	
9	P03025	PM413	弹性圆柱销 $\phi 4 \times 12$	Pin	1	GB/T879.1
10	30512003	VA19P	针杆上挑线防护罩座(喷漆)	Eye Guide Assy.	1	300215
11	30512004	MA82	针杆上挑线防护罩(喷漆)	Eye Guide Assy.	1	300216
12	30526001	PM404	抬压复位拉簧销	Pin	1	$\phi 4 \times 28$
13	30501005	VA01	机座	Lower Macine	1	100205
14	201S17003	SM152	开槽沉头螺钉SM1/8"×44	Screw	2	
15	S05001	内六角圆柱头螺钉M10×30	Screw	4	GB/T70.1
16	P02001	销	Pin	2	
17	30522001	KH48	橡皮塞 $\phi 9.2$	Oil Seal	1	
18	S04019	SM44B	十字槽盘头螺钉M4×12	Screw	10	GB/T818
19	13837002	VA06	商标	Brand	1	
20	30322009	KH48	橡皮塞 $\phi 12.2$	Oil Seal	3	
21	30501047	VA05	机头左盖(喷漆)	Left Cover	1	300217
22	30501049	VA04	机头左盖密封垫	sticker	1	
23	30522004	VA24	机座右盖橡皮塞 $\phi 31.1$	Oil Seal		
24	30522003	VA24	机座右盖密封垫	sticker	1	
25	30501002	VA25	机座右盖(喷漆)	Left Cover	1	300218
26	30522005	VA25-2	机座右盖橡皮垫	sticker	1	
27	305S12002	SM416	内六角圆柱头螺钉M4×30	Screw	7	GB/T70.1非直驱配备
28	30511003	VA07P	断针防护罩(6-25针)	Eye Guide Assy.	1	6-25针专用
29	20111005	KC57	油窗	Oil Sight Window	1	
30	20122018	KC58	油窗密封垫	sticker	1	
31	30512085	VA06	挑线过线板防护罩(4针)	Eye Guide Assy.	1	4针机专用
31	30512086	VA06	挑线过线板防护罩(6-25针)	Eye Guide Assy.	1	6-25针机专用
32	305S20003	SM670	机头支撑螺钉M6×11	Screw	4	
33	30501048	VA02	上盖(喷漆)	Top Cover	1	301812
34	30522024	A03	上盖密封圈	Oil Seal	1	
35	30501051	VA08	机头	Upper Macine	1	100202
36	30537003	VA26	机型牌	Brand	1	
37	R03001	KA33	铆钉2.5×4	Screw	1	
38	30511002	VA23	带轮盖	Belt Cover Assy.	1	非直驱配备



二、缝台盖部件/Cloth Plate assemblies

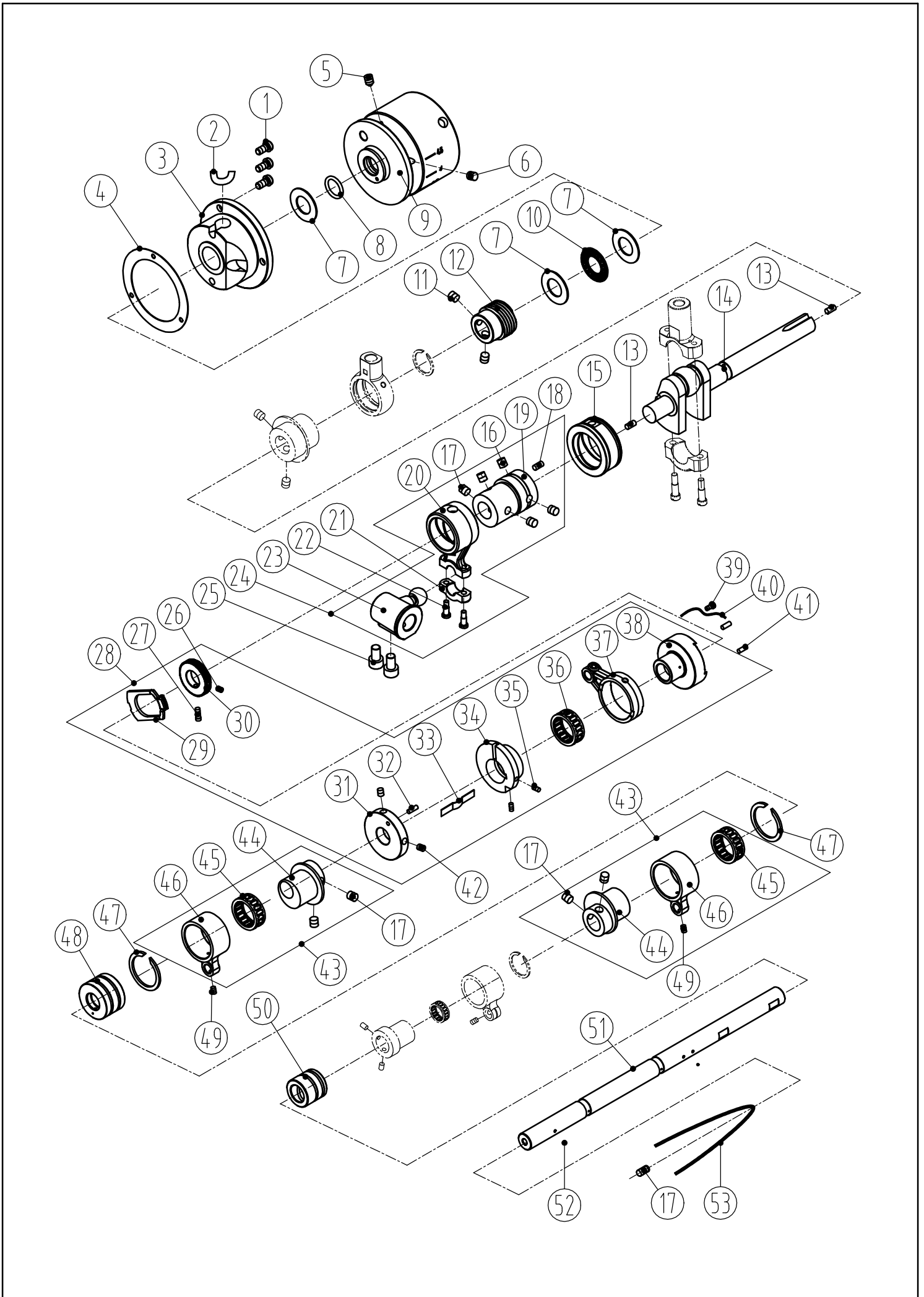
序号 No	件号 Par No.	参考件号 Ref.Part.No	名称	Description	数量 Number	备注 Remark
1	S03002	SM496	开槽半沉头螺钉M3×3.5	Screw	3	
2	S02007	SM152	开槽沉头螺钉M3×5	Screw	2	
3	30512067	VB07	后缝台组件	Cloth Plate Cover	1	
4	30512008	VB12	前缝台限位板	Carko	1	
5	I02003	SM433	六角头螺栓M4×7	Screw	7	
6	30512009	VB02	缝台下防油盖板组件	Cover	1	组件30512009
6	30512059	VB02	防油盖板	Cover	1	
6	30503037	VB02	针距调节按钮套	Cover	1	
7	301S17001	SM160	开槽半沉头螺钉SM9/64"×40×6.7(进口)	Screw	4	
8	30515009	E9xxx	针板(04064)	Needle Plate	1	
8	30515019	E9xxx	针板(04080)	Needle Plate	1	
8	30515001	E9xxx	针板(04085)	Needle Plate	1	
8	30515013	E9xxx	针板(04095)	Needle Plate	1	
8	30515012	E9xxx	针板(06048)	Needle Plate	1	
8	30515003	E9xxx	针板(06064)	Needle Plate	1	
8	30515011	E9xxx	针板(06080)	Needle Plate	1	
8	30515051	E9xxx	针板(06095)	Needle Plate	1	
8	30515015	E9xxx	针板(08032)	Needle Plate	1	
8	30515021	E9xxx	针板(08048)	Needle Plate	1	
8	30515004	E9xxx	针板(08064)	Needle Plate	1	
8	30515017	E9xxx	针板(08085)	Needle Plate	1	
8	30515018	E9xxx	针板(12032)	Needle Plate	1	
8	30515010	E9xxx	针板(12048)	Needle Plate	1	
8	30515002	E9xxx	针板(12064)	Needle Plate	1	
8	30515005	E9xxx	针板(13064-32)	Needle Plate	1	
8	30515006	E9xxx	针板(17032)	Needle Plate	1	
8	30515016	E9xxx	针板(23032)	Needle Plate	1	
8	30515008	E9xxx	针板(25032)	Needle Plate	1	
9	S01073	SM130	开槽圆柱头螺钉M3.5×3	Screw	4	
10	S01005	SM433	开槽圆柱头螺钉M4×10	Screw	4	
11	30512021	VB07	针板座	Bracket	1	
12	3052200600	VB18	打线杆防油板组件	Feed Bar Oil Seal	1	组件3052200600
12	30512018	VB18	打线杆防油板	Cover	1	
12	30522007	VB18	打线杆防油板橡胶块	Cover	1	
13	305S11005	SM152	开槽圆柱头螺钉SM9/64"×40×4	Screw	2	
14	S01038	SM435	开槽球面圆柱头螺钉M4×10	Screw	3	
15	30512011	VB11	前后缝台连接板	Sheet Iron	1	
16	301S17001	SM160	开槽半沉头螺钉SM9/64"×40×6.7(进口)	Screw	4	通2-7
17	30512012	VB11-1	缝台前罩板	Bland	1	
18	N01004	NM511	螺母M5	Nut	1	
19	30512066	VB14	前缝台	Side Cover	1	
20	30502001	VB04	针距调节按钮	Button	1	
21	30527001	VB03	针距调节按钮复位弹簧	Spring	1	
22	30512014	VB15	前缝台左卡簧	KaKo	1	
23	30512017	VB16	前缝台右卡簧	KaKo	1	
24	30522012	VB01	缝台下防油盖板密封垫	Washer	1	
25	I1329020	EM050	开口挡圈5	Ring	1	
26	30512015	VB19	打线杆防油板固定板	Bland	1	
27	S01059	SM534	开槽球面圆柱头螺钉M5×13	Screw	1	
28	S01060	SM630	开槽圆柱头螺钉M6×10	Screw	1	
29	30503001	VB13	前缝台旋转垫圈	Washer	1	
30	30528002	WMA40	波形弹性垫圈11×φ14.6×0.3	Washer	2	
31	30512016	VB17	卷边龙头压板	Washer	1	
32	P01001	-----	针板架定位销φ5×13	Pin	2	
33	W01005		垫圈3	Washer	4	



三、送料部件/Feed assemblies

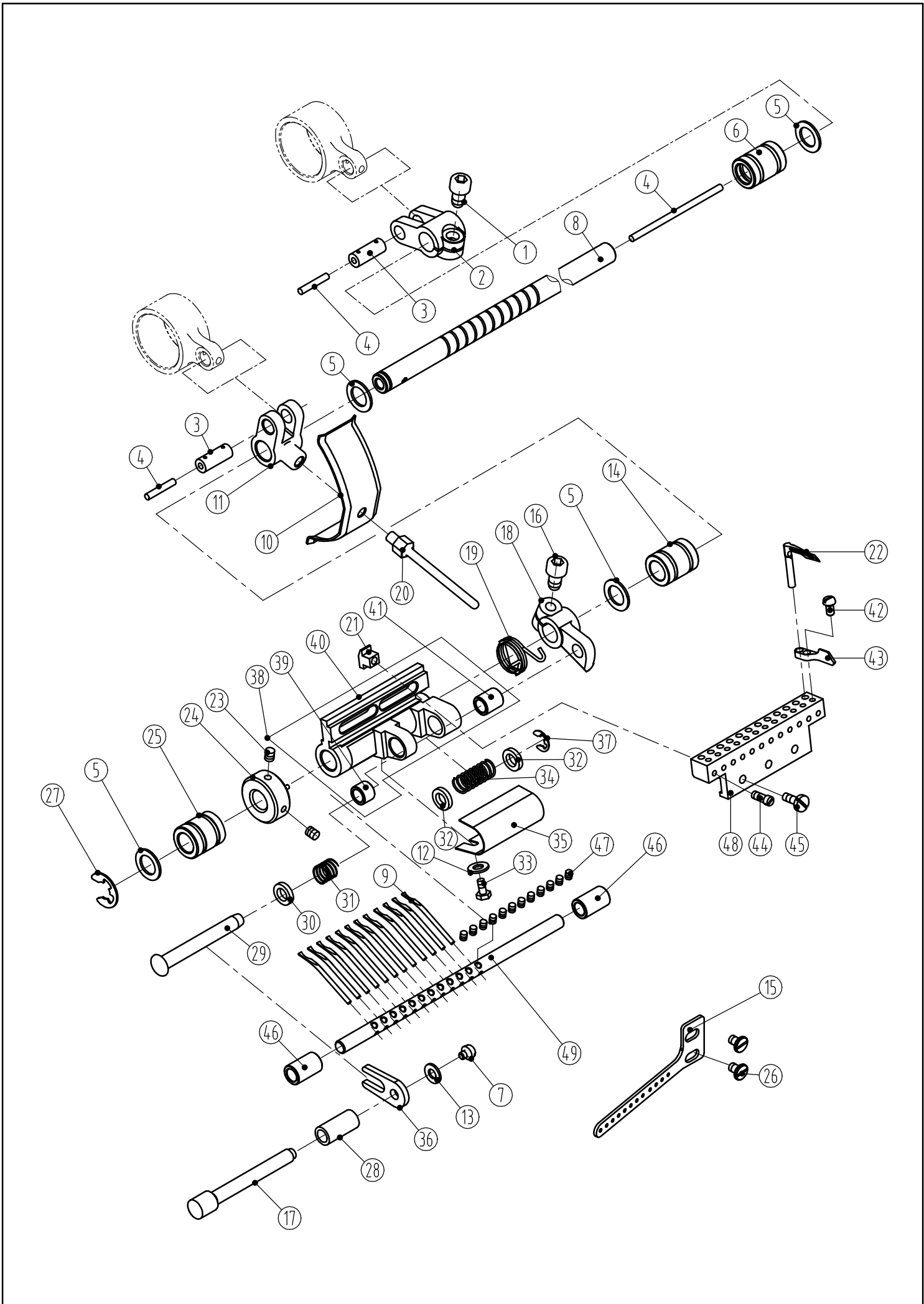
序号 No	件号 Part No.	参考件号 Ref.Part.No	名称	Description	数量 Number	备注 Remark
1	305SI4003	SM103	内六角锥端紧定螺钉M3.5×5	Screw	2	
2	S05002	SM612	内六角圆柱头螺钉M6×0.75×15.2	Screw	1	
3	20I23021	VC11	油线	Oil Wick	1	
4	30526002	VC08	送布曲柄销	Pin	1	
5	30504001	VC07	送布曲柄	Crank	1	
6	SI0014	SM502	内六角凹端紧定螺钉M5×4	Screw	4	
7	30508001	MH73	挡圈φ12×φ20×10	Ring	2	
8	20I28031	CL13	垫圈φ12.1×φ18×1.5	Washer	2	
9	30503002	VC09S	送料轴右轴套	Sleeve	1	
10	S09002	-----	内六角平端紧定螺钉M6×6	Pin	3	
11	20I23021	VD30D-2	油线	Oil Wick	1	
12	30502002	VC06	送料轴	Shaft	1	
13	30503004	VC03S	送料轴中轴套	Bushing	1	
14	30504002	VC02	牙架曲柄	Crank	1	
15	305SI4001	SK270	内六角锥端紧定螺钉SM11/64"×40×5	Screw	1	
16	30503005	VC01S	送料轴左轴套	Bushing	1	
17	30502003	VC12	牙架曲柄轴	Pin	1	
18	20I23021	VC13	油线	Oil Wick	1	
19	305SI2003	SK496	牙架固定螺钉	Screw	1	
20	W01006	WK01	垫圈φ4.6×φ10×0.8	Washer	2	
21	30504003	VC14D	牙架座	Feed Bar	1	
22	S01061	SM131	开槽圆柱头螺钉M3.5×5	Screw	1	
23	30506001	VC16D	牙架	Feed	1	
24	30526005	PM301	送布牙顶销	Pin	2	
25	305SI6001	NK55	螺母SM11/64"×40	Nut	1	
26	30526006	VC18D	牙架轴	Pin	1	
27	30527002	VC19	送布座复位扭簧	Spring	1	
28	305S20004	SK497	轴位螺钉M3.5	Screw	1	
29	30526003	VC21	抬牙连杆销	Pin	1	
30	20I23021	KM15	油线	Oil Wick	1	
31	305SI4002	SK216	内六角平端紧定螺钉SM1/8"×44×3	Screw	2	
32	S01062	SK213	开槽球面圆柱头螺钉SM1/8"×44×6.5	Screw	1	
33	30514009	D9xxx	牙齿 (04064)	Feed Dog	1	
33	30514020	D9xxx	牙齿 (04080)	Feed Dog	1	
33	30514001	D9xxx	牙齿 (04085)	Feed Dog	1	
33	30514013	D9xxx	牙齿 (04095)	Feed Dog	1	
33	30514012	D9xxx	牙齿 (06048)	Feed Dog	1	
33	30514003	D9xxx	牙齿 (06064)	Feed Dog	1	
33	30514011	D9xxx	牙齿 (06080)	Feed Dog	1	
33	30514024	D9xxx	牙齿 (06095)	Feed Dog	1	
33	30514015	D9xxx	牙齿 (08032)	Feed Dog	1	
33	30514022	D9xxx	牙齿 (08048)	Feed Dog	1	
33	30514004	D9xxx	牙齿 (08064)	Feed Dog	1	
33	30514018	D9xxx	牙齿 (08085)	Feed Dog	1	
33	30514019	D9xxx	牙齿 (12032)	Feed Dog	1	
33	30514010	D9xxx	牙齿 (12048)	Feed Dog	1	
33	30514002	D9xxx	牙齿 (12064)	Feed Dog	1	
33	30514005	D9xxx	牙齿 (13064-32)	Feed Dog	1	
33	30514006	D9xxx	牙齿 (17032)	Feed Dog	1	
33	30514017	D9xxx	牙齿 (23032)	Feed Dog	1	
33	30514008	D9xxx	牙齿 (25032)	Feed Dog	1	
34	305SI1001	SK265	开槽圆柱头螺钉SM11/64"×40×12	Screw	1	
35	30508004	VC23	无耳挡圈φ17.5×φ20.5×1.1	Spring	1	
36	3051000100	-----	抬牙连杆组件	Felt	1	
37	30505001	VC22D	抬牙连杆	Eccent	1	
38	30524001	VC24	滚针轴承K18×22×15.7	Bearing	1	
39	30510001	VC25	抬牙偏心凸轮	Eccent	1	
40	20IS14002		内六角凹端紧定螺钉SM11/64"×40×5	Screw	2	

组件3051000100



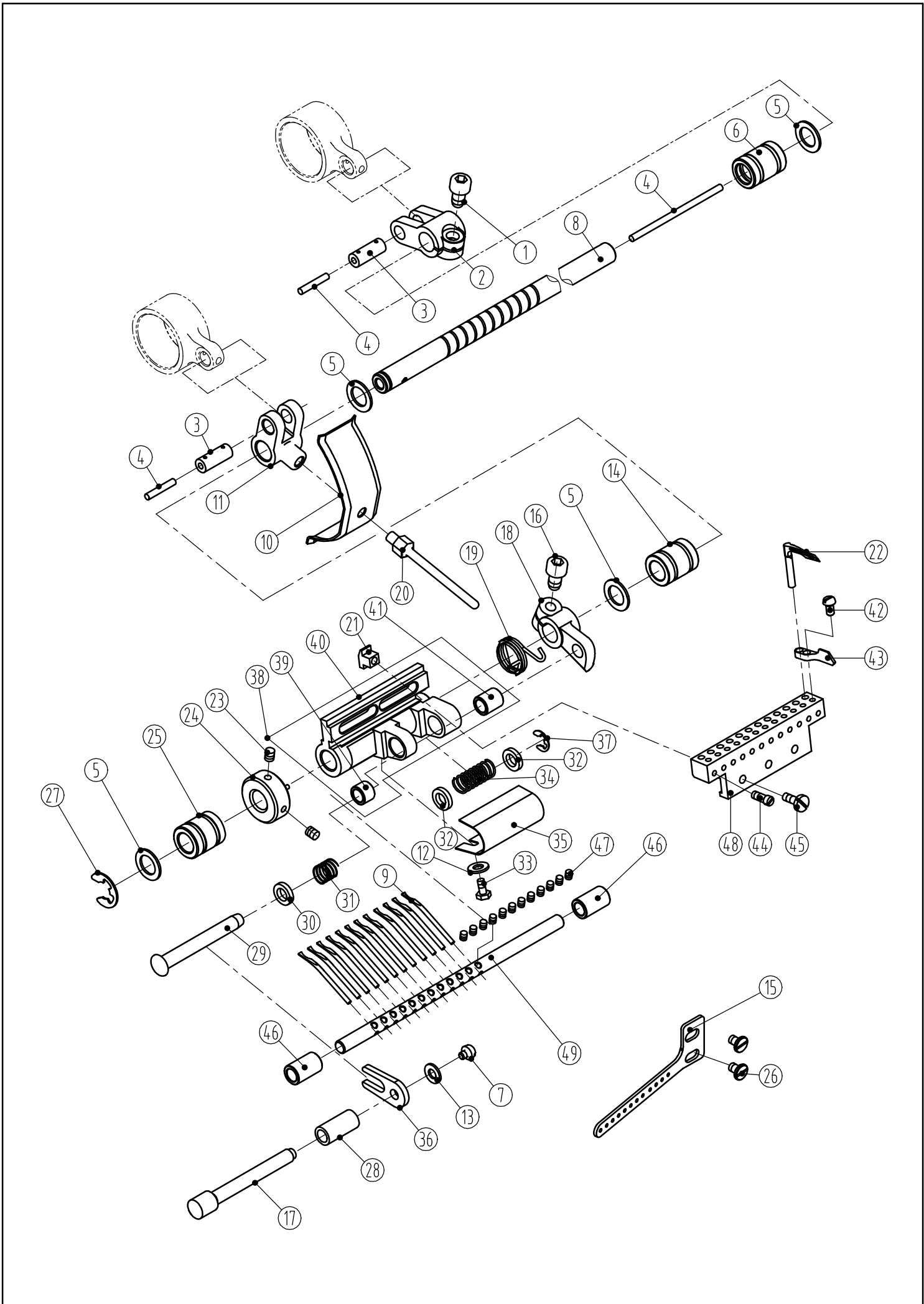
四、主轴部件/Crankshaft Drive assemblies

序号 No	件号 Part No.	参考件号 Ref.Part.No	名称	Description	数量 Number	备注
1	S01011	SM532	开槽圆柱头螺钉M5×10	Screw	3	
2	30523006	VD02-2	后主轴右轴套毡毡	Felt	1	
3	3050300600	VD02	后主轴右轴套组件	Bearing Cover	1	400085
3-1	30503007		轴承盖	Bearing Cover	1	组件3050300600
3-2	30503008		后主轴右轴套	Bearing Cover	1	
4	30522008	VD05	后主轴右轴套密封垫	Washer	1	
5	S12001	SM604	内六角锥端紧定螺钉 M6×8	Screw	1	
6	S09007		内六角平端紧定螺钉M6×8	Screw	1	
7	30528003	VD03-2	垫圈φ15×φ27.8×1	Washer	3	
8	30522020	MD25	O型圈φ13.6×φ18.4×φ2.4	Oil Seal	1	
9	30535001	VD01	皮带轮(喷漆)	Machine Pulley	1	300222
10	30524002	VD03-1	平面滚针轴承φ15×φ28×1.4	Bearing	1	
11	S10029	SM602	内六角凹端紧定螺钉M6×0.75×5 (进口)	Screw	2	
12	30525001	VD04	蜗杆	Worm	1	
13	30222003	VD07-1	堵头	Pin	2	
14	30502004	VD07	后主轴	Crank Assembly	1	400056
15	30503009	VD08	后主轴左轴套	Bushing	1	
16	S09002	SM606	内六角平端紧定螺钉M6×6	Screw	4	
17	S09010	SM602	内六角平端紧定螺钉M6×5	Screw	5	GB/T77
18	P01007	PM401	销子	Pin	1	组件3050402300
19	30510002	VD09	喂针摆动偏心凸轮	Eccent	1	
20	30505003		喂针摆动球连杆杆部	Crank Assembly	1	
21	30505004		喂针摆动球连杆头部	Crank Assembly	1	
22	305S14008	SM139	螺钉	Screw	2	
23	30504010	VE42	喂针摆动球曲柄	Crank	1	
24	3050402300	喂针摆动球连杆组件	Crank Assembly	1	
25	305S13006	SM610	内六角圆柱头螺钉M6×0.75×10	Screw	2	
26	305S14009	内六角平端紧定螺钉M3.5×5	Screw	1	
27	305S14010	开槽圆柱头螺钉M3.5×8	Screw	1	
28	3050502100	送布连杆组件	Deliver Fabric Assy.	1	组件3050502100
29	30509020	KP74	针距调节滑块	Ratchet	1	
30	30525015	VD46	针距调节齿轮	Gear Wheel	1	
31	30510016	VD47	送布固定轮	Deliver Wheel	1	
32	30526030	KP18-1	送布凸轮定位销	Pin	1	
33	30508010	送布凸轮弹簧片	Spring	1	
34	30510017	VD44	送布凸轮	Cam	1	
35	413S14004	内六角平端紧定螺钉M3×4	Screw	2	
36	30524005	滚针轴承K32×28×10	Bearing	1	
37	30505024	VD45	送布连杆	Link	1	
38	30510018	VD43	针距调节凸轮	Cam	1	
39	S01024	轴位螺钉SM11/8"×44	Screw	1	
40	30527011	针距调节滑块复位扭簧	Spring	1	
41	S07001	轴肩螺钉M3	Screw	2	
42	201S14002	内六角凹端紧定螺钉SM11/64"×40	Screw	2	
43	3051000500	偏心凸轮组件	Eccent Assembly	2	组件3051000500
44	30510005	VD31	偏心凸轮	Eccent	2	
45	30524004	VD24	滚针轴承K28X24X15.5	Bearing	2	
46	30505006	VD25	连杆	Rod	2	
47	30508003	VD26	卡簧φ22×φ25.4×1.2	Spring	2	
48	30503011	VD27	前主轴右轴套	Bushing	1	
49	305S14003	SM103	内六角锥端紧定螺钉M3.5×5	Screw	3	
50	30503010	VD28	前主轴左轴套	Bushing	1	
51	30502005	VD29	前主轴	Shaft	1	
52	20123021	VD30D-2	油线	Felt	2	
53	12923050	VD30D	油线	Oil Wick	1	



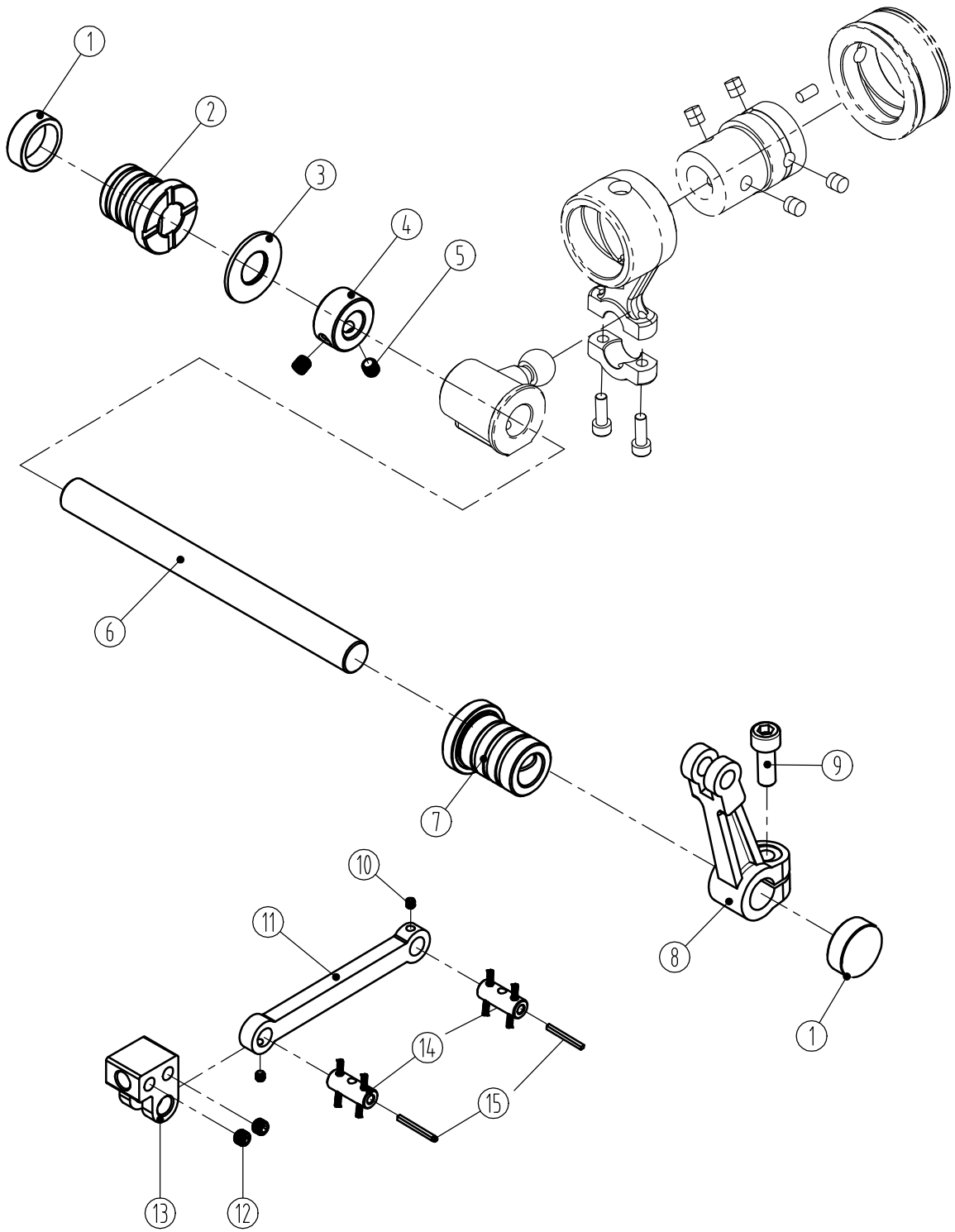
五、勾线部件/Thread Takeup assemblies

序号 No	件号 Part No.	参考件号 Ref.Part.No	名称	Description	数量 Number	备注 Remark
1	305SI3006	SM610	内六角圆柱头螺钉M6×0.75×10	Screw	1	
2	30504004	VE01	弯针架座摆动曲柄	Crank	1	
3	30526008	VF10	销子	Pin	2	组件3050500900
4	20I23021	VC11	油线	Oil Wick	1	
5	20I28010	KL11	垫圈 $\phi 10.2 \times \phi 16 \times 1$	Washer	4	
6	30503012	VE09S	弯针架座轴右轴套	Bushing	1	
7	206SI1003	SM130	开槽圆柱头螺钉SM9/64"×40×7.5	Screw	1	
8	30502006	VE04	弯针架座轴	Shaft	1	
9	30517003	VE30	前拔线喂针	Spreader	4	
10	30512024	VE10D	挡油板	Feed Bar Oil Seal	1	
11	30504005	VE05	打线杆曲柄	Crank	1	
12	W01005	WM100	垫圈3	Washer	1	GB/T97.1
13	W02002		弹簧垫圈4	Washer	1	GB/T93
14	30503013	VE03S	弯针架座轴中轴套	Bushing	1	
15	30513001	VE32	弯针过线板(4针)	Thread guide	1	4针机专用
15	30513002	VE32	弯针过线板(6-13针)	Thread guide	1	6-13针机用
15	30513028	VE32	弯针过线板(17-25针)	Thread guide	1	17-25针机用
16	S05004	SM511	内六角圆柱头螺钉M5×14	Screw	1	GB/T70.1
17	30502007	VE23	弯针架座倒前拉杆	Adjusting Bar	1	
18	30504006	VE07	弯针架座右挡圈	Crank	1	
19	30527004	VE08	弯针架座复位扭簧	Spring	1	
20	305S30002	VE06	打线杆	Thread Takeup	1	
21	30509004	VE45	弯针架左右调节块	Nut	2	
22	30517002	VE51	弯针	looper	1	每台数量需乘相应机型针数
22	30517006	VE51	弯针(032用)	looper	1	每台数量需乘相应机型针数
23	20ISI4002	SK270	内六角凹端紧定螺钉SM11/64"×40×5	Screw	2	
24	3050800400	VE13D	弯针架座左挡圈组件	Coller	1	
24	30508005		弯针架座左挡圈	Coller	1	组件3050800400
24	30526009		销2×10	Pin	1	
25	30503014	VE14S	弯针架座轴左轴套	Bushing	1	
26	I13SI1004	SM431	开槽圆柱头螺钉M4×8	Screw	2	GB/T65
27	H05011	EM090	开口挡圈9	Spring	1	GB/T896
28	30503018	VE27S	弯针架座倒前拉杆轴套	Bushing	1	
29	30526022	VE15	弯针架座倒前离合轴	Link	1	
30	30528006	VE16	垫圈 $\phi 6.6 \times \phi 11 \times 2.2$	Washer	1	
31	30527006	VE17	弯针架座倒前拉杆左弹簧	Spring	1	
32	I1628004		垫圈 $\phi 7.5 \times \phi 12 \times 1$		2	
33	305SI2005	SM331	六角头螺栓SM1/8"×44×7	Screw	1	
34	30527005	VE21	弯针架座倒前拉杆弹簧	Spring	1	
35	30512025	VE25	弯针架座护线罩	Bland	1	
36	30512026	VE24	弯针架座倒前拉杆牙叉	Washer	1	
37	I1329020	EM060	开口挡圈5	Spring	1	GB/T896
38	3050403100	VE11	弯针架固定座组件	Rivit Seat	1	组件3050403100
39	30503016	VE18S	弯针架固定座右轴套	Bushing	1	
40	30504007	VE11	弯针架固定座	Rivit Seat	1	
41	30503015	VE22S	弯针架固定座右轴套	Bushing	1	
42	S01062	SK213	开槽球面圆柱头螺钉SM1/8"×44×6.5	Screw	1	每台数量需乘相应机型针数
43	30517001	VE49	护针	Needle Guard	1	每台数量需乘相应机型针数
43	30517008	VE50	护针(13针)	Needle Guard	1	
44	305SI1002	SK532	开槽圆柱头螺钉SM9/64"×40×8.5	Screw	1	每台数量需乘相应机型针数
45	206SI1002	SK237	开槽圆柱头螺钉SM9/64"×40×10	Screw	2	
46	30503017	VE28S	喂针轴轴套	Bushing	2	
47	305SI4002	SK329	内六角平端紧定螺钉SM1/8"×44×3	Screw	1	每台数量需乘相应机型针数



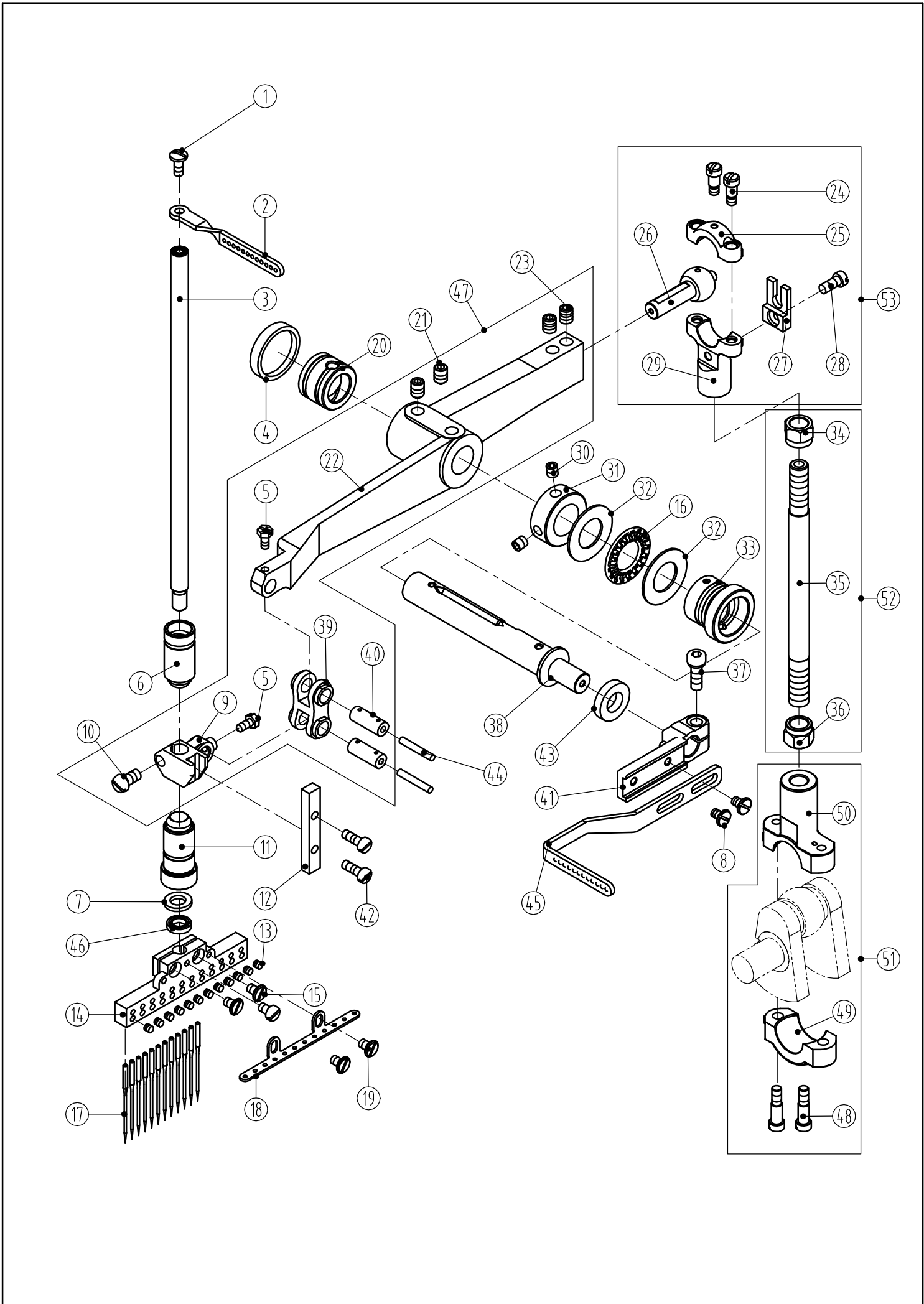
五、勾线部件/Thread Takeup assemblies

序号 No	件号 Part No.	参考件号 Ref.Part.No	名称	Description	数量 Number	备注 Remark
48	30504028	L9xxx	弯针架(04064)	Looper Holder	1	
48	30504040	L9xxx	弯针架(04080)	Looper Holder	1	
48	30504008	L9xxx	弯针架(04085)	Looper Holder	1	
48	30504024	L9xxx	弯针架(04095)	Looper Holder	1	
48	30504023	L9xxx	弯针架(06048)	Looper Holder	1	
48	30504016	L9xxx	弯针架(06064)	Looper Holder	1	
48	30504022	L9xxx	弯针架(06080)	Looper Holder	1	
48	30504044	L9xxx	弯针架(06095)	Looper Holder	1	
48	30504031	L9xxx	弯针架(08032)	Looper Holder	1	
48	30504042	L9xxx	弯针架(08048)	Looper Holder	1	
48	30504017	L9xxx	弯针架(08064)	Looper Holder	1	
48	30504038	L9xxx	弯针架(08085)	Looper Holder	1	
48	30504039	L9xxx	弯针架(12032)	Looper Holder	1	
48	30504029	L9xxx	弯针架(12048)	Looper Holder	1	
48	30504009	L9xxx	弯针架(12064)	Looper Holder	1	
48	30504018	L9xxx	弯针架(13064-32)	Looper Holder	1	
48	30504019	L9xxx	弯针架(17032)	Looper Holder	1	
48	30504037	L9xxx	弯针架(23032)	Looper Holder	1	
48	30504021	L9xxx	弯针架(25032)	Looper Holder	1	
49	30502034	R9xx4	喂针轴(04064)	Shaft	1	
49	30502050	R9xx4	喂针轴(04080)	Shaft	1	
49	30502008	R9xx4	喂针轴(04085)	Shaft	1	
49	30502032	R9xx4	喂针轴(04095)	Shaft	1	
49	30502031	R9xx4	喂针轴(06048)	Shaft	1	
49	30502024	R9xx4	喂针轴(06064)	Shaft	1	
49	30502030	R9xx4	喂针轴(06080)	Shaft	1	
49	30502054	R9xx4	喂针轴(06095)	Shaft	1	
49	30502036	R9xx4	喂针轴(08032)	Shaft	1	
49	30502052	R9xx4	喂针轴(08048)	Shaft	1	
49	30502025	R9xx4	喂针轴(08064)	Shaft	1	
49	30502037	R9xx4	喂针轴(08085)	Shaft	1	
49	30502049	R9xx4	喂针轴(12032)	Shaft	1	
49	30502035	R9xx4	喂针轴(12048)	Shaft	1	
49	30502009	R9xx4	喂针轴(12064)	Shaft	1	
49	30502026	R9xx4	喂针轴(13064-32)	Shaft	1	
49	30502027	R9xx4	喂针轴(17032)	Shaft	1	
49	30502038	R9xx4	喂针轴(23032)	Shaft	1	
49	30502029	R9xx4	喂针轴(25032)	Shaft	1	



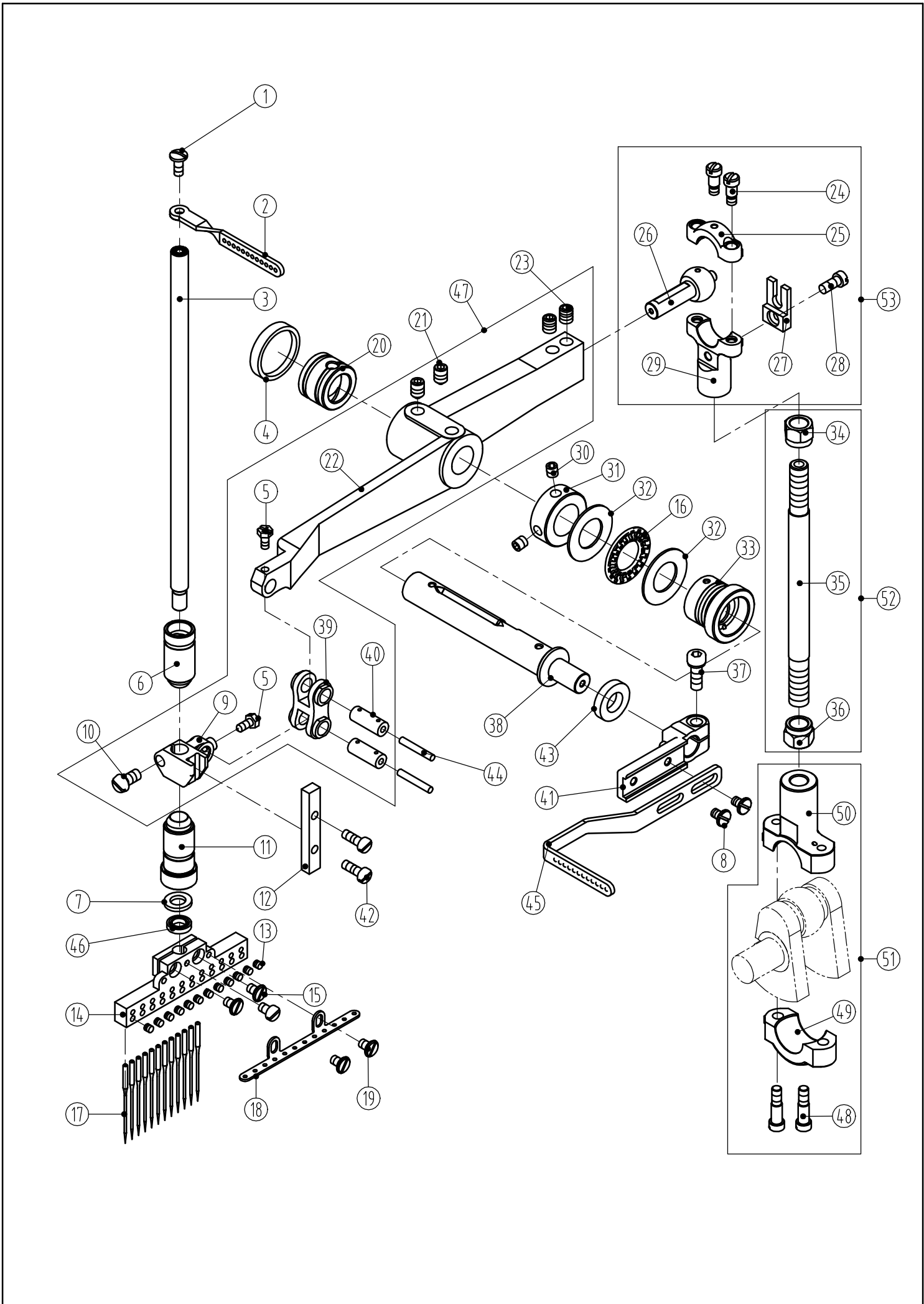
六、喂针部件/Needle Feeding assemblies

序号 No	件号 Part No.	参考件号 Ref.Part.No	名称	Description	数量 Number	备注 Remark
1	30522011	MQ21	喂针摆动横轴橡皮塞 $\phi 20$	Oil Seal	2	
2	30503019	VE44	喂针摆动横轴后轴套	Bushing	1	
3	20128009	MT29D	垫圈 $\phi 12 \times \phi 26 \times 1.5$	Washing	1	
4	30508001	MH73	挡圈 $\phi 12 \times \phi 20 \times 10$	Ring	1	
5	S10014	SM502	内六角凹端紧定螺钉M5 \times 4	Screw	2	GB/T80
6	30502010	VE41	喂针摆动横轴	Shaft	1	
7	30503020	VE38	喂针摆动横轴前轴套	Bushing	1	
8	30505007	VE36D	喂针摆动横轴连杆	Link	1	
9	S05002	SM612	内六角圆柱头螺钉M6 \times 0.75 \times 15.2	Screw	1	GB/T70.1
10	305S14003	SM103	内六角锥端紧定螺钉M3.5 \times 5	Screw	2	
11	30505008	VE34D	前拔线喂针轴固定座连杆	Link	1	
12	20IS14002	SK270	内六角凹端紧定螺钉SM11/64" \times 40 \times 5	Screw	2	
13	30509005	VE33D	前拔线喂针轴固定座	Slider	1	
14	30526008	VF10	销子	Pin	2	通5-3
15	20123021	VC11	油线	Oil Wick	1	



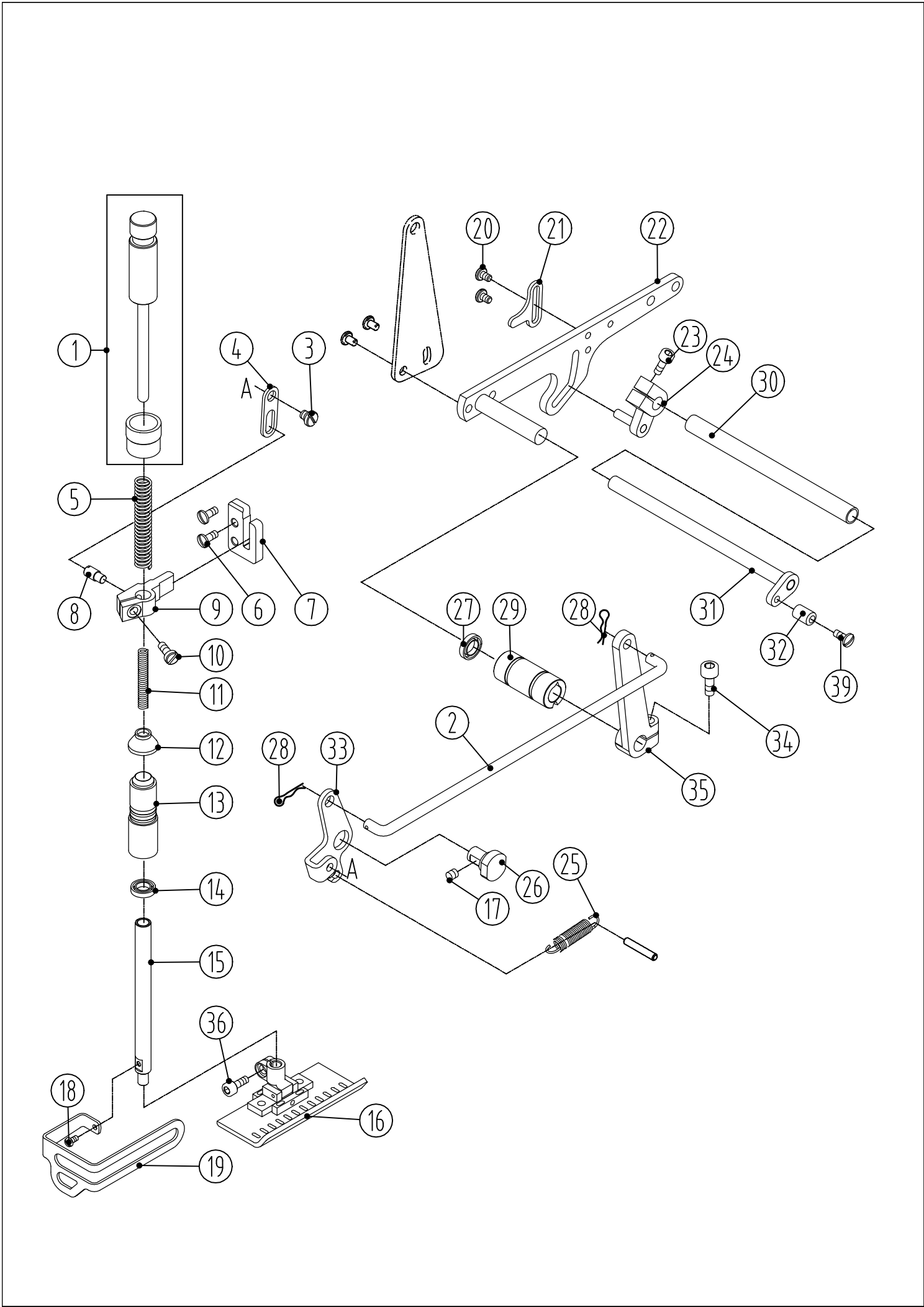
七、针杆部件/Needle Bar assemblies

序号 No	件号 Part No.	参考件号 Ref.Part.No	名称	Description	数量 Number	备注 Remark
1	S01038	SM132	开槽球面圆柱头螺钉M4×10	Screw	1	
2	30513003	VF19	针杆上挑线(4针用)	Thread guide	1	4针机专用
2	30513006	VF19	针杆上挑线(6-13针用)	Thread guide	1	6、8、12、13针机专用
2	30513026	VF19	针杆上挑线(17-25针用)	Thread guide	1	17、23、25针机专用
3	30502011	VF12D	针杆	Needle bar	1	
4	3052201200	VF07	杠杆轴后轴套橡皮塞φ27	Oil Seal	1	
5	305S12004	SM184	复合槽六角头锥端螺栓 M3.5×8.5	Screw	2	组件3050500900
6	30503021	VF13	针杆上铜套	Bushing	1	
7	30523013		油棉	Oil Wick	1	
8	113S11004	SM431	开槽圆柱头螺钉M4×8	Screw	2	GB/T65
9	30509006	VF09	针杆止摆接头	Needle slider	1	组件3050500900
10	S01011	SM532	开槽圆柱头螺钉M5×10	Screw	1	
11	30503022	VF14	针杆下铜套	Bushing	1	
12	30509007	VF11D	针杆止摆导轨	Rivet	1	
13	305S14002	SK216	内六角平端紧定螺钉SM1/8"×44×3	Screw	4	
14	30534009	M9**4	针夹头(04064)	Needle Holer Assy.	1	
14	30534018	M9**4	针夹头(04080)	Needle Holer Assy.	1	
14	30534001	M9**4	针夹头(04085)	Needle Holer Assy.	1	
14	30534013	M9**4	针夹头(04095)	Needle Holer Assy.	1	
14	30534012	M9**4	针夹头(06048)	Needle Holer Assy.	1	
14	30534003	M9**4	针夹头(06064)	Needle Holer Assy.	1	
14	30534011	M9**4	针夹头(06080)	Needle Holer Assy.	1	
14	30534022	M9**4	针夹头(06095)	Needle Holer Assy.	1	
14	30534014	M9**4	针夹头(08032)	Needle Holer Assy.	1	
14	30534020	M9**4	针夹头(08048)	Needle Holer Assy.	1	
14	30534004	M9**4	针夹头(08064)	Needle Holer Assy.	1	
14	30534016	M9**4	针夹头(08085)	Needle Holer Assy.	1	
14	30534017	M9**4	针夹头(12032)	Needle Holer Assy.	1	
14	30534010	M9**4	针夹头(12048)	Needle Holer Assy.	1	
14	30534002	M9**4	针夹头(12064)	Needle Holer Assy.	1	
14	30534005	M9**4	针夹头(13064-032)	Needle Holer Assy.	1	
14	30534006	M9**4	针夹头(17032)	Needle Holer Assy.	1	
14	30534015	M9**4	针夹头(23032)	Needle Holer Assy.	1	
14	30534008	M9**4	针夹头(25032)	Needle Holer Assy.	1	
15	305S11004	开槽圆柱头螺钉SM11/64"×40×8	Screm	2	组件7-14
16	30524002	平面滚针轴承φ15×φ28×1.4	Bearing	1	
17	30517004	Uo113	机针(UO×113GS14/90)	Needle	1	64及以下针位用
17	30517005	Uo113	机针(UO×113GS16/100)	Needle	1	64以上针位用
18	30513004	M9**4-1	针夹头过线板(4针用)	Thread guide	1	4针机专用
18	30513007	M9**4-1	针夹头过线板(6-12针用)	Thread guide	1	6、8、12针专用
18	30513021	M9**4-1	针夹头过线板(13-25针用)	Thread guide	1	13、17、23、25针机专用
19	305S11005	SK239	开槽圆柱头螺钉SM9/64"×40×4	Screw	3	
20	30503023	VF06	针杆驱动杠杆轴后轴套	Bushing	1	
21	305S14006	SM601	内六角锥端紧定螺钉M6×0.75×9	Screw	2	
22	30505009	VF01	针杆驱动杠杆	Lever	1	组件3050500900
23	305S14007	SM600	内六角平端紧定螺钉M6×0.75×8	Screw	2	
24	S05010	SK491	驱动杠杆球连杆螺钉	Screw	2	组件3050402400
25	30505010		驱动杠杆上球连杆	Crank	1	
26	30526011	VF16	驱动杠杆球连杆球杆	Crank	1	
27	30512028	VF22	驱动杠杆球曲柄止摆块	Cover	1	
28	305S13019	SK277	驱动杠杆球曲柄止摆块螺钉	Screw	1	
29	30505011		驱动杠杆下球连杆	Crank	1	
30	S09008	SM502	内六角平端紧定螺钉M5×5	Screw	2	GB/T77



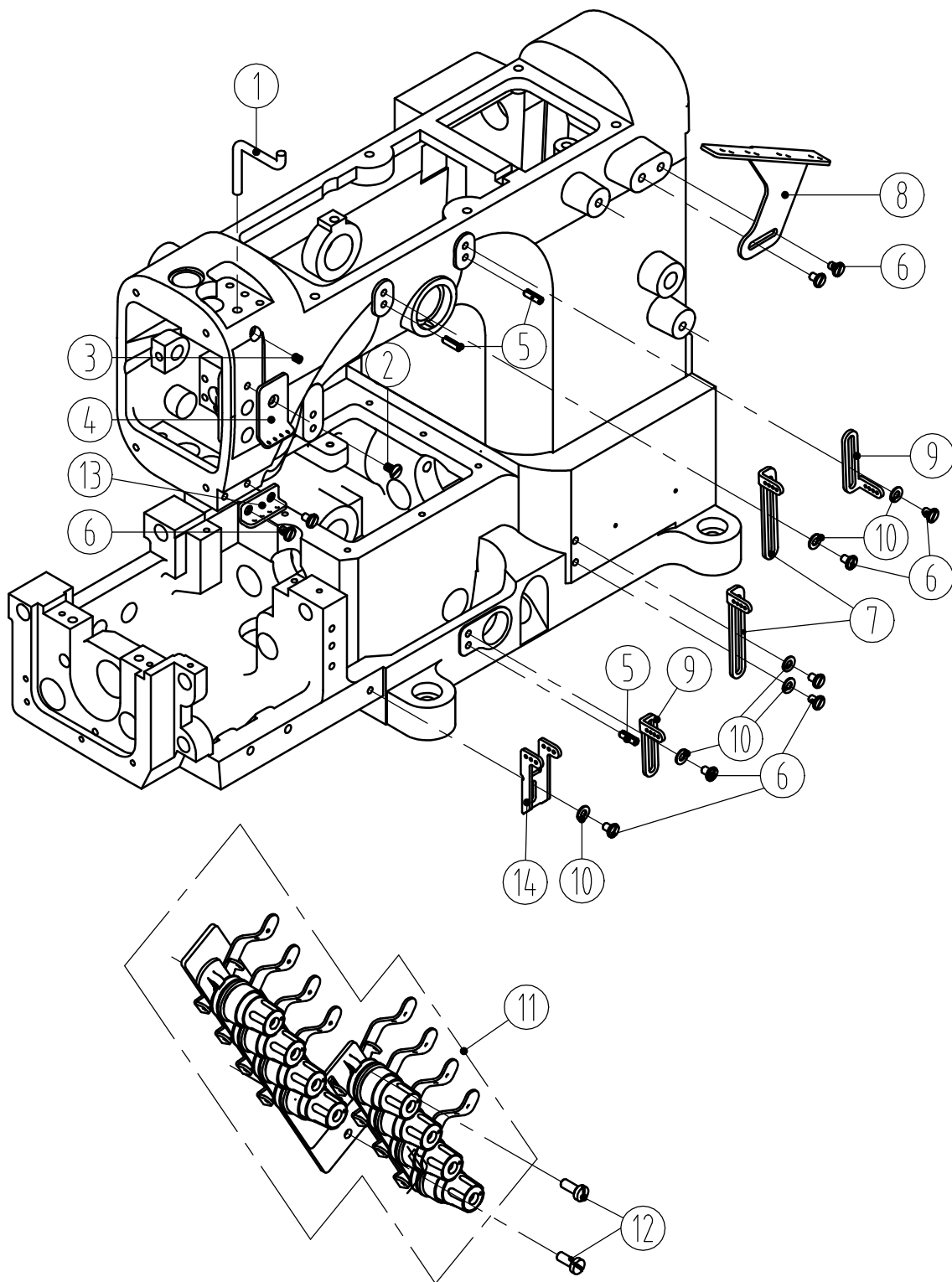
七、针杆部件/Needle Bar assemblies

序号 No	件号 Part No.	参考件号 Ref.Part.No	名称	Description	数量 Number	备注 Remark
31	30508006	VF05	挡圈 $\phi 14 \times \phi 27 \times 10$	Ring	1	
32	30528003	VF04	垫圈 $\phi 15 \times \phi 27.8 \times 1$	Washer	2	
33	30503024	VF03	针杆驱动杠杆轴前轴套	Bushing	1	
34	305S16002	NK54	螺母SM3/8"×24×10左旋	Nut	1	组件3050203000
35	30502012		主轴大连杆调节杆	Crank	1	
36	305S16003	NK53	螺母SM3/8"×24×10	Nut	1	
37	S05004	SM511	内六角圆柱头螺钉M5×14	Screw	1	GB/T70.1
38	30502013	VF02	针杆驱动杠杆轴	Shaft	1	
39	30505012	VF08	针杆链条节	Crank	1	组件3050500900
40	30526008	VF10	针杆链条节销	Pin	2	
41	30509010	VF17	上挑线过线板座	Thread Guide Rivet Seat	1	
42	S01003	SM438	开槽圆柱头螺钉M4×12	Screw	2	GB/T65
43	20622019	-----	FB型骨架油封 $\phi 10 \times \phi 19 \times 4$	Oil wick	1	
44	20123021	VC11	油线	Oil Seal	1	
45	30513005	VF18	上挑线过线板(4针)	Thread guide	1	4针机专用
45	30513008	VF18P	上挑线过线板(6-13针)	Thread guide	1	6、8、12、13针机专用
45	30513047	VF18P	上挑线过线板(17-25针)	Thread guide	1	17、23、25针机专用
46	3052201500	-----	骨架油封 $\phi 7.8 \times \phi 14 \times 3$	Oil Seal	1	
47	3050500900	VF01	针杆驱动杠杆组件	Lever	1	
48	S05068		内六角圆柱头螺钉M5×120	Screw	2	组件30605004
49	30505014		后主轴下球连杆	Crank	1	
50	30505013		后主轴上球连杆	Crank	1	
51	30605004	-----	后主轴球连杆组件	Crank Assembly	1	
52	3050203000	VF23D	主轴大连杆调节杆组件	Connection assy.	1	组件3050203000
53	3050402400	-----	驱动杠杆球连杆组件	Crank Assembly	1	组件3050402400



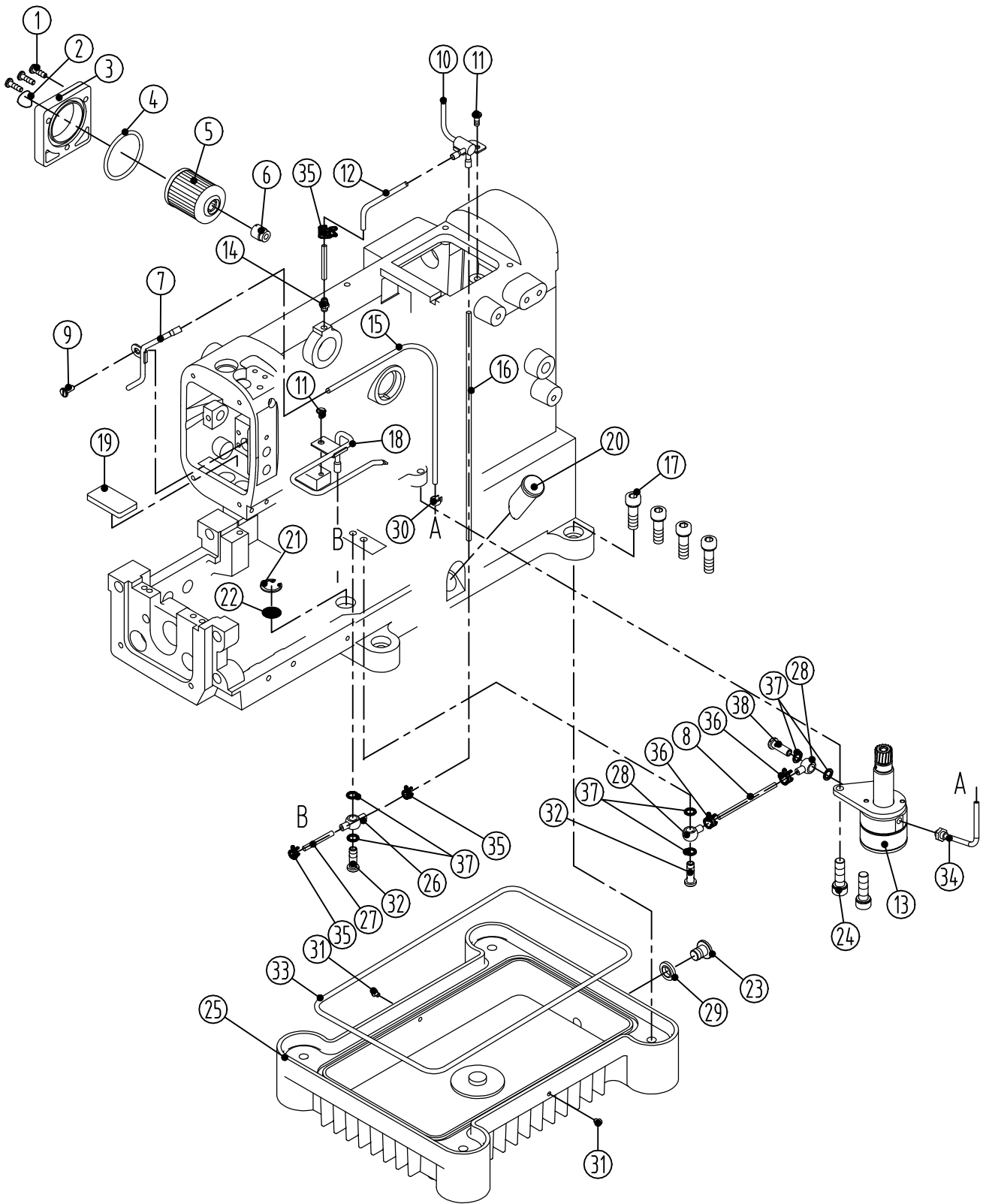
八、压脚部件/Presser Foot assemblies

序号 No	件号 Part No.	参考件号 Ref.Part.No	名称	Description	数量 Number	备注 Remark
1	3013002500	VJ16	调压螺杆组件	Adjusting Bar Assy	1	
2	30512035	VJ09	抬压脚拉杆	Link	1	
3	305S20009	SK518	抬压脚吊板轴位螺钉M5	Screw	1	
4	30512029	VJ13	抬压脚吊板	Bracket	1	
5	30527007	MJ03	调压弹簧	Spring	1	
6	S01038	SM438	开槽球面圆柱头螺钉M4×10	Screw	2	
7	30509011	VJ20	压脚轴导架导轨	Slider	1	
8	305S11007	SK502	抬压脚吊板销钉M5	Screw	1	
9	30509012	VJ07	压脚轴导架	Slider	1	
10	305S11001	SK265	开槽圆柱头螺钉SM11/64"×40×12	Screw	1	
11	30527008	MJ12	压脚轴轴内弹簧	Spring	1	
12	30522014	MJ13	压脚轴轴套上防油套	Oil Seal	1	
13	30503025	VJ21	压脚轴轴套	Bushing	1	
14	3052201500	MJ17	骨架油封φ19×φ14×3	Oil Seal	1	
15	30502015	VJ18	压脚轴	Shaft	1	
16	30516009	P9****	压脚组件(04064)	presser foot assy	1	
16	30516021	P9****	压脚组件(04080)	presser foot assy	1	
16	30516001	P9****	压脚组件(04085)	presser foot assy	1	
16	30516013	P9****	压脚组件(04095)	presser foot assy	1	
16	30516012	P9****	压脚组件(06048)	presser foot assy	1	
16	30516003	P9****	压脚组件(06064)	presser foot assy	1	
16	30516011	P9****	压脚组件(06080)	presser foot assy	1	
16	30516025	P9****	压脚组件(06095)	presser foot assy	1	
16	30516016	P9****	压脚组件(08032)	presser foot assy	1	
16	30516023	P9****	压脚组件(08048)	presser foot assy	1	
16	30516004	P9****	压脚组件(08064)	presser foot assy	1	
16	30516018	P9****	压脚组件(08085)	presser foot assy	1	
16	30516020	P9****	压脚组件(12032)	presser foot assy	1	
16	30516010	P9****	压脚组件(12048)	presser foot assy	1	
16	30516002	P9****	压脚组件(12064)	presser foot assy	1	
16	30516005	P9****	压脚组件(13064-32)	presser foot assy	1	
16	30516006	P9****	压脚组件(17032)	presser foot assy	1	
16	30516017	P9****	压脚组件(23032)	presser foot assy	1	
16	30516008	P9****	压脚组件(25032)	presser foot assy	1	
17	S09008	SM502	内六角平端紧定螺钉M5×5	Screw	1	GB/T77
18	S01027	SM332	开槽圆柱头螺钉M3×6	Screw	1	GB/T65
19	30512030	VJ23	护指罩(4针)	Eye Guide	1	4针用
19	30512037	VJ23	护指罩(6-25针)	Eye Guide	1	6-25针用
20	113S11004	SM431	开槽圆柱头螺钉M4×8	Screw	2	GB/T65
21	30512031	VJ03	抬压挺线限位块	Bracket	1	
22	3051203200	VJ05-2	抬压挺线杠杆组件	Lever Assembly	1	组件3051203200
22	30512032		杠杆	Lever	1	
22	30526013		杠杆轴	Shaft	1	
23	S05004	SM534	内六角圆柱头螺钉M5×14	Screw	1	GB/T70.1
24	30504011	VJ04	抬压挺线后曲柄组件	Tighten	1	组件30504011
24	30504027		紧固座		1	
24	30526012		销子	Pin	1	
25	30527010	VJ14	抬压复位弹簧	Spring	1	
26	30526014	VJ12D	抬压脚前支点架销	Pin	1	
27	3052201700	KL20	骨架油封φ9.1×φ15×3	Oil Seal	1	
28	30527009	VJ10	抬压脚拉杆开口销	Pin	2	
29	30503026	VJ06D	抬压挺线杠杆轴轴套	Bushing	1	
30	30502016	VJ02	抬压挺线曲柄轴套	Thread Guide	1	
31	3050201700	VJ03	抬压挺线曲柄轴组件	Shaft	1	组件3050201700
31	30502018		松线轴	Shaft	1	
31	30512034		连接板	Carko	1	
32	30510006	VJ01-3	抬压挺线曲柄偏心调节套	Eccent Bushing	1	
33	30512036	VJ11D	抬压脚前支点架	Crank	1	
34	S05002	SM612	内六角圆柱头螺钉M6×0.75×15.2	Screw	1	GB/T70.1
35	30504012	VJ08	抬压脚后曲柄	Crank	1	
36	305S13013	内六角圆柱头螺钉M5×8	Screw	1	
37	S01017		开槽圆柱头螺钉M4×14	Screw	1	



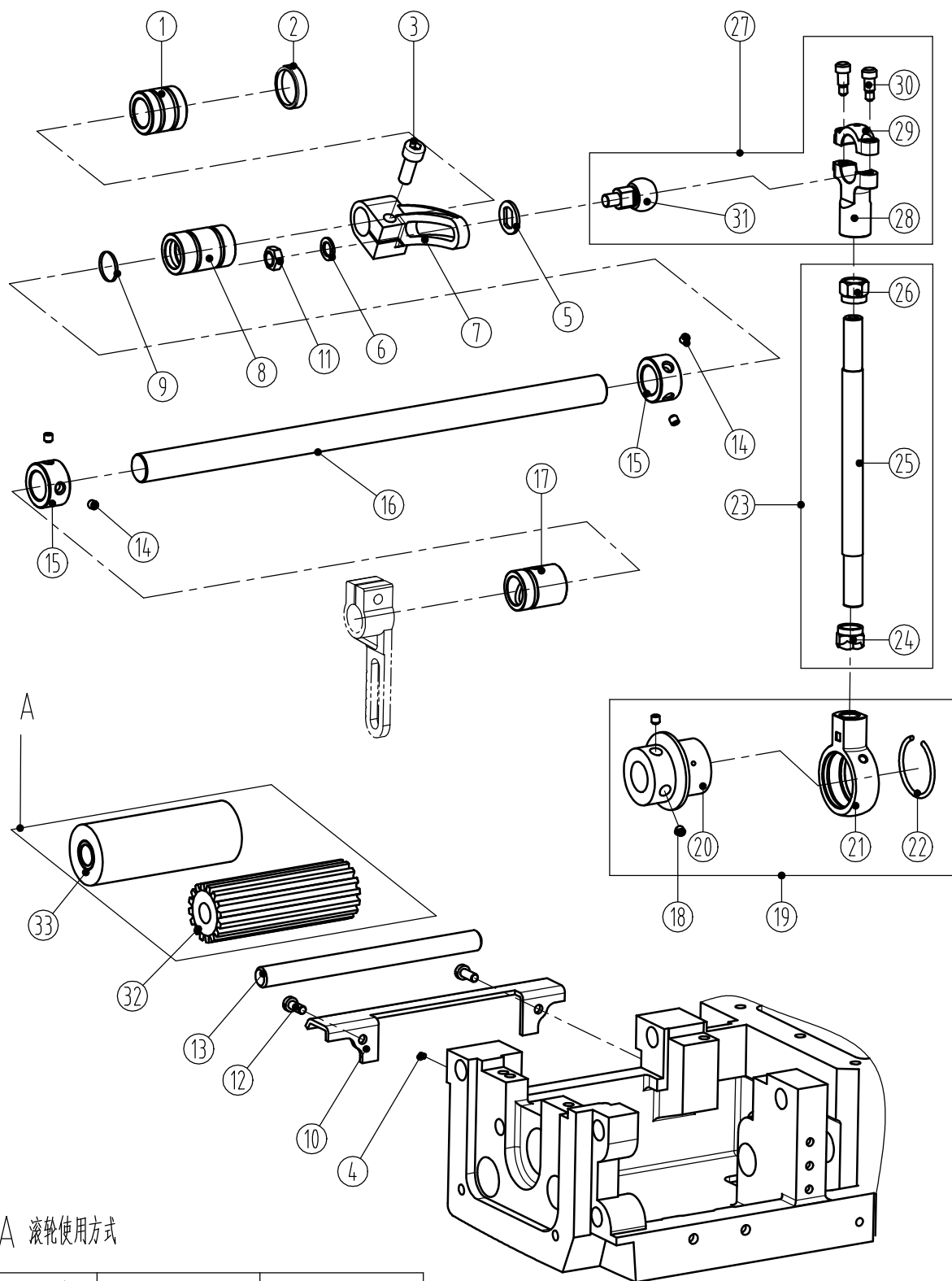
九、夹线器部件/Tension Spring assemblies

序号 No	件号 Part No.	参考件号 Ref.Part.No	名称	Description	数量 Number	备注 Remark
1	30512038	VK13	绷线紧勾	Bracket	1	4针机专用
1	30512039	VK13	绷线紧勾	Bracket	1	6-25针机用
2	S02003	SM450	开槽沉头螺钉M4×5	Screw	1	GB/T68
3	S09012	SM404	内六角平端紧定螺钉M4×5	Screw	1	GB/T77
4	30513009	VK15	针杆上过线板(4针)	Thread Guide	1	
4	30513015	VK15	针杆上过线板(6-13针)	Thread Guide	1	
4	30513025	VK15	针杆上过线板(17-25针)	Thread Guide	1	
5	P03025	PM413	弹性圆柱销 $\phi 4 \times 12$	Pin	3	GB/T879.1
6	113S11004	SM450	开槽圆柱头螺钉M4×8	Screw	6	GB/T65
7	30513010	VK18	长过线板(4针)	Thread Guide	2	
7	30513016	VK18	长过线板(6-13针)	Thread Guide	2	
7	30513022	VK18	长过线板(17-25针)	Thread Guide	2	
8	30513011	SM431	夹线器过线(4针)	Thread Guide	1	
9	30513012	VK11	短过线板(4针)	Thread Guide	2	
9	30513017	VK11	短过线板(6-13针)	Thread Guide	2	
9	30513023	VK11	短过线板(17-25针)	Thread Guide	2	
10	20612062	MW400	垫圈 $\phi 4.3 \times \phi 9 \times 0.8$	Washer	6	
11	30531047	VK06	夹线器组件(4针)	Tension Spring Assy	1	
11	3053104900	VK07	夹线器组件(6针、8针)	Tension Spring Assy	1	
11	30531048	VK06	夹线器组件(12针)	Tension Spring Assy	1	
12	S01059		开槽球面圆柱头螺钉M5×13	Screw	2	
13	30513013	VK17	针杆下过线板(4针)	Thread Guide	1	
13	30513018	VK17	针杆下过线板(6-13针)	Thread Guide	1	
13	30513027	VK17	针杆下过线板(17-25针)	Thread Guide	1	
14	30513014	VK07	弯针打线过线板(4针)	Thread Guide	1	
14	30513019	VK07	弯针打线过线板(6-13针)	Thread Guide	1	
14	30513024	VK07	弯针打线过线板(7-25针)	Thread Guide	1	



十、油泵部件/Lubrication assemblies

序号 No	件号 Part No.	参考件号 Ref.Part.No	名称	Description	数量 Number	备注 Remark
1	S01057	SM447	开槽球面圆柱头螺钉M4×15	Screw	3	
2	20337005	KT18	商标	Brand	1	
3	20301005	KT16	滤油器盖(喷漆)	Cover	1	300077
4	20322004	KT17	O型圈 $\phi 39.5 \times \phi 45.7 \times \phi 3.1$	Sticker	1	GB/T1235
5	20736004	KT14	滤油器组件	Filter Element	1	
6	30503027	ML50	滤油器进油嘴	pipe	1	
7	30521012	VL14	机头下巴吸油嘴组件	Tube	1	
8	30121021	VL19	油管 $\phi 5 \times \phi 7$ L=100	Tube	1	
9	207S11011	SM431	开槽圆柱头螺钉M4×5	Screw	1	GB/T65
10	30521013	VL11	油窗喷油管组件	Tube	1	
11	113S11004	SM435	开槽圆柱头螺钉M4×8	Screw	2	GB/T65
12	30121022	VL16	油管 $\phi 4 \times \phi 6$ L=180	Tube	1	
13	3052000100	ML01	油泵组件	Pump	1	
14	30536001	VL12	杠杆轴后轴套供油嘴	Joint	1	
15	30121022	VL15	油管 $\phi 4 \times \phi 6$ L=450	Tube	1	
16	30121022	VL17	油管 $\phi 4 \times \phi 6$ L=450	Tube	1	
17	305S13003	SM812	内六角圆柱头螺钉M8×25	Screw	4	GB/T70.1
18	3052101300	VL07	机座供油管组件	Tube Assembly	1	
19	30523010	VL13	机头下巴回油毡	Felt	1	
20	30511004	VL06D	油量指示窗	Oil Window	1	
21	H01003	EM164	孔用弹性挡圈17	Spring	1	GB/T893.1
22	30512040	MB15	机座滤油网	filter	1	
23	305S11010	SK310	放油螺钉SM3/8"×28×12	Screw	1	
24	305S13004	SM611	内六角圆柱头螺钉M6×15	Screw	2	GB/T70.1
25	30501006	VL01	油盘	Oil Reservoir Assy	1	
26	30136005	MW05	供油双通接头	Joint	1	
27	30121022	VL20	油管 $\phi 4 \times \phi 6$ L=115	Tube	1	
28	20636001	KT24	油管接头(铜)	Joint	2	
29	20528014	KT56	放油螺钉密封圈	Sticker	1	
30	20129002	KT26*11	油管卡簧	Ring	1	
31	207S11011	-----	开槽圆柱头螺钉M4×5	Screw	2	GB/T65
32	301S30013	SK304	供油接头螺钉SM1/4"×40(长)	Screw	3	
33	30522018	VL02	油盘密封圈	Oil Seal	1	
34	30521014		油泵回油管组件	Tube	1	
35	20429001		油管夹 $\phi 6.5$		4	
36	30129006		油管夹 $\phi 7.5$		2	
37	20122033		油管接头垫圈		6	
38	201S30004		供油接头螺钉SM1/4"×40(短)		1	

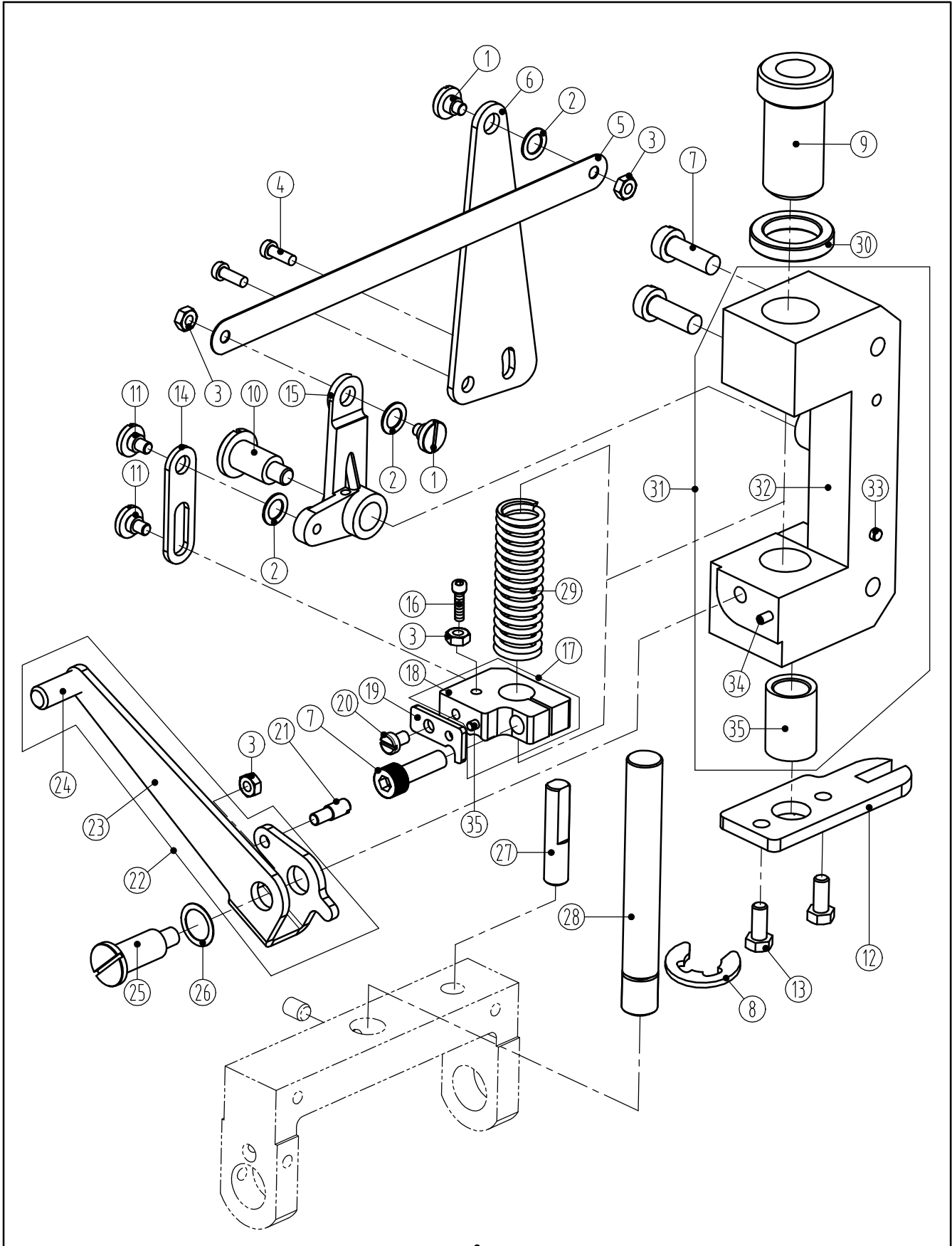


A 滚轮使用方式

代码	齿形	平轮	齿轮
上滚轮代码		30525013	30525008
下滚轮代码		30525014	30525006

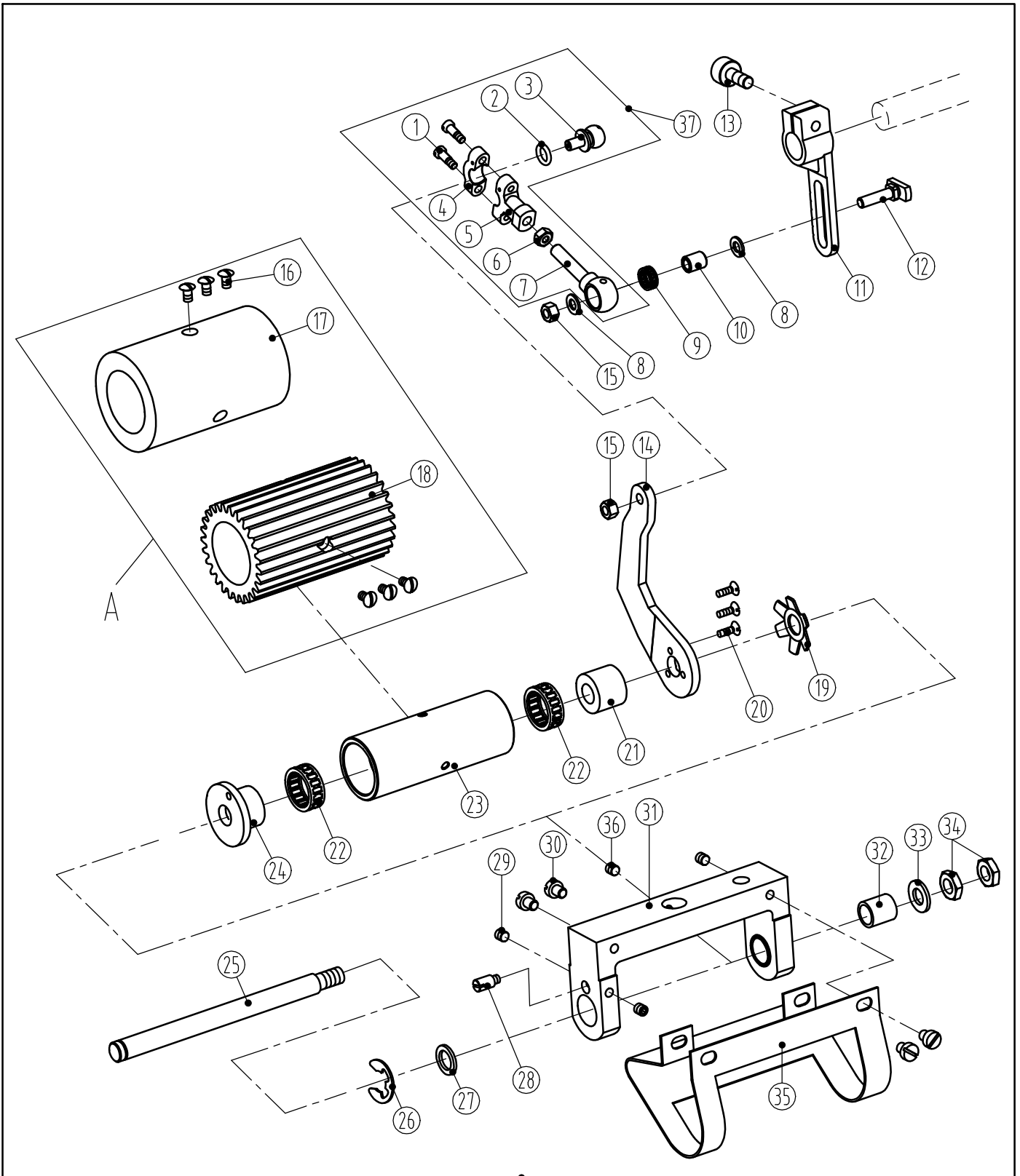
十一、传送部件/Transmission assemblies

序号 No	件号 Part No.	参考件号 Ref.Part.No	名称	Description	数量 Number	备注 Remark
1	30503028	VCL07	后拖轮传送轴右轴套	Bushing	1	
2	30522019	CL14	传送轴后轴套橡皮塞 $\phi 21$	Oil Seal	1	
3	S05002	SM617	内六角圆柱头螺钉M6 \times 0.75 \times 15.2	Screw	1	GB/T70.1
4	S09012	-----	内六角平端紧定螺钉M4 \times 5	Screw	1	GB/T77
5	30512045	VCL05-1	传送轴右曲柄调节垫圈	Washer	1	
6	30328007	-----	垫圈 $\phi 6.5 \times \phi 16 \times 1.5$	Washer	1	
7	30504013	VCL06	后拖轮传动轴右曲柄	Crank	1	
8	30503029	VCL09	后拖轮传送轴中轴套	Bushing	1	
9	30522020	VCL10	O型圈 $\phi 13.6 \times \phi 18.4 \times \phi 2.4$	Oil Seal	1	GB/T 1235
10	30512046	VCL32	下拖轮护料板	Eye Guide	1	
11	305S16007	NM611	螺母M6 \times 0.75	Nut	1	
12	113S11004	SM431	开槽圆柱头螺钉M4 \times 8	Screw	2	GB/T65
13	30502019	VCL27	下拖轮轴	Shaft	1	
14	S10014	SM501	内六角凹端紧定螺钉M5 \times 4	Screw	4	通用3-6
15	30508007	VCL11	挡圈 $\phi 14 \times \phi 22 \times 12$	Ring	2	
16	30502020	VCL12	后拖轮传送轴	Crank	1	
17	30503030	VCL13	后拖轮传送轴左轴套	Bushing	1	
18	S09002	SM603	内六角平端紧定螺钉M6 \times 6	Screw	2	通用3-10
19	3051001100	VCL01	后拖轮传送偏心轮连杆组件	Eccent Assy	1	组件3051001100
20	30510010	VCL01	后拖轮传送偏心凸轮	Eccent	1	
21	30505016		后拖轮传送连杆	Eccent Assy	1	
22	30508009	VCL03	卡簧	Spring	1	
23	3050203100	-----	后拖轮调节杆组件	connection Assy	1	
24	305S16003	NK53	螺母SM3/8" \times 24 \times 10	Screw	1	组件3050203100
25	30502021	VF23D	后拖轮调节杆	Connection	1	
26	305S16002	NK54	螺母SM3/8" \times 24 \times 10左旋	Nut	1	
27	3050402600	VCL05	传送轴球连杆组件	Crank Assembly	1	组件3050402600
28	30505015		传送轴连杆底部	Crank Assembly	1	
29	30505010		驱动杠杆上球连杆	Crank Assembly	1	
24	S05010	SK491	驱动杠杆球连杆螺钉	Screw	2	
31	305S30005	VCL05	传送轴球连杆球杆	Crank	1	
32	30525006	-----	下拖轮组件(齿)	Press Wheel Assy.	1	组件3050901500
33	30525014	VCL28	下拖轮组件(平)	Press Wheel Assy.	1	组件3050901700
33-1	30525014-1		橡胶轮内套	Press Wheel Assy.	1	
33-2	30525014-2		橡胶轮	Press Wheel Assy.	1	



十二、后凸轮架部件/After Cam Fight assemblies

序号 No	件号 Part No.	参考件号 Ref.Part.No	名称	Description	数量 Number	备注 Remark
1	305S20010	SM491	轴位螺钉M4	Screw	1	
2	30528011	CL31	橡胶垫圈 $\phi 7 \times \phi 11 \times 0.6$	Washer	4	
3	N01001	NM410	六角螺母M4	Nut	4	
4	S01065	SM531	开槽圆柱头螺钉M5×6	Screw	2	GB/T65
5	30512047	VCL25	后拖轮提升长连杆	Sheet Iron Link	1	
6	30512048	VCL35	后拖轮提升长连杆连接板	Bracket	1	
7	S05240	SM614	内六角圆柱头螺钉M6×20	Screw	2	GB/T70.1
8	H05011	EM123	开口挡圈9	Spring	1	
9	305S30006	CL25	后拖轮调压螺钉	Adjusting Screw	1	
10	305S20011	SM681	轴位螺钉M6	Screw	1	
11	305S20012	SM492	轴位螺钉M4	Screw	2	
12	30512053	CL33	后拖轮上下导轨	Regulator Plate	1	
13	207S1104	SM520	开槽六角头螺栓M5×9.5	Screw	2	
14	30512049	VCL23	后拖轮提升吊板	Bracket	1	
15	30504014	VCL24	后拖轮提升杠杆曲柄	Crank	1	
16	S05063	SM440	内六角圆柱头螺钉M4×25	Screw	1	GB/T70.1
17	30509013		调压弹簧挡块组件	Spring Plate	1	组件30509013
18	30509015	VCL22	调压弹簧挡块	Spring Plate	1	
19	30512050	VCL34	后拖轮上下扳手限位板	Bracket	1	
20	S01055	SM448	开槽圆柱头螺钉M4×6	Screw	1	
21	305S11014	SM472	轴肩螺钉M4	Screw	1	
22	3051205100	CL33	后拖轮调节上下扳手组件	Regulator Plate	1	组件3051205100
23	30512052		调节扳手	Regulator Plate	1	
24	30526016		调节扳手柄	Regulator Plate	1	
25	305S20013	SM682	轴位螺钉M6	Screw	1	
26	30528012	CL34	波形弹性垫圈 $\phi 11 \times \phi 15 \times 0.3$	Bracket	1	
27	30526020	VCL19	后拖轮架上下导杆	Pin	1	
28	30502022	VCL30	后拖轮架座轴	Shaft	1	
29	30527017	CL28	后拖轮调压弹簧	Spring	1	
30	305S16006		后拖轮调节螺母	Screw	1	
31	30501042	VCL21	后拖轮架座组件	Finger Guide	1	组件30501042
32	30526018		后拖轮架座	Finger Guide	1	
33	30526019		后拖轮架座销	Finger Guide	1	
34	30526023	PM302	销子	Pin	1	
35	30503031	CL26	后拖轮架座下铜套	Bushing	1	
36	3050901500	-----	后凸轮架座组件(齿轮式)	After Cam Assembly	1	
36	3050901700	-----	后凸轮架座组件(光滑式)	After Cam Assembly	1	

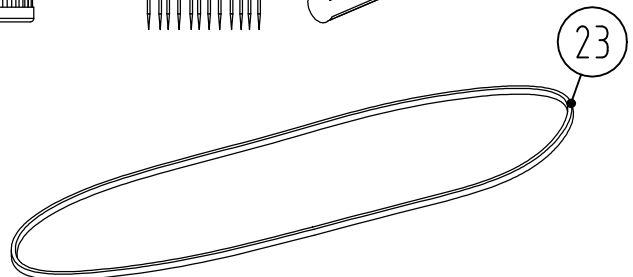
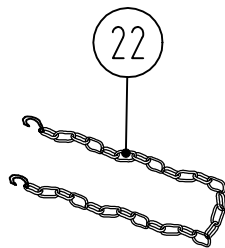
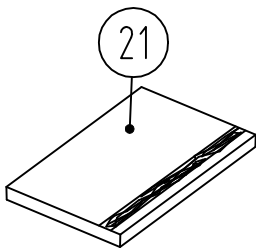
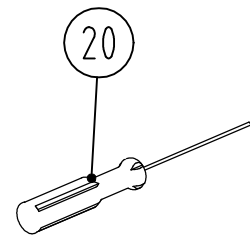
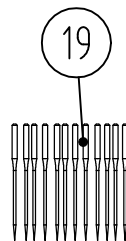
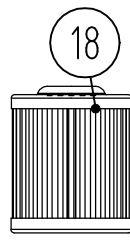
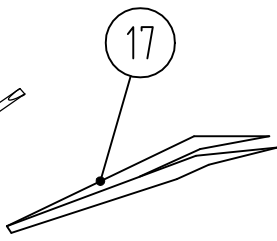
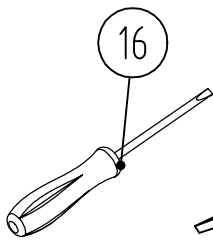
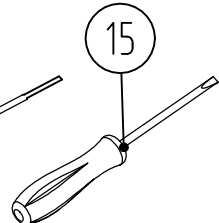
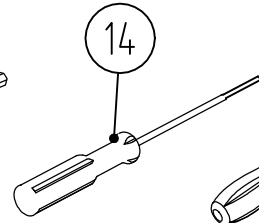
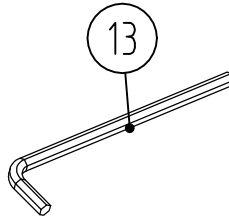
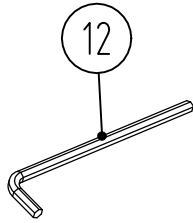
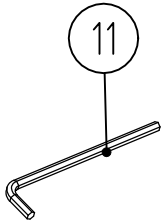
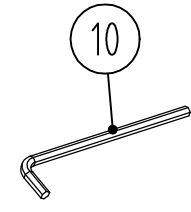
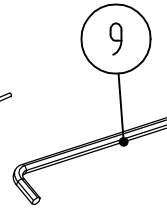
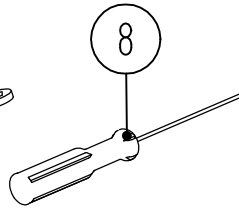
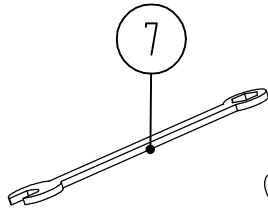
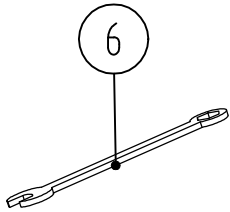
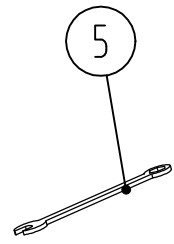
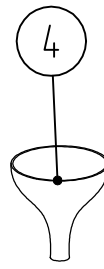
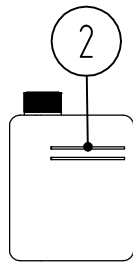
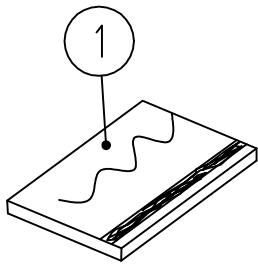


A 滚轮使用方式

代码 \ 齿形	平轮	齿轮
上滚轮代码	30525013	30525008
下滚轮代码	30525014	30525006

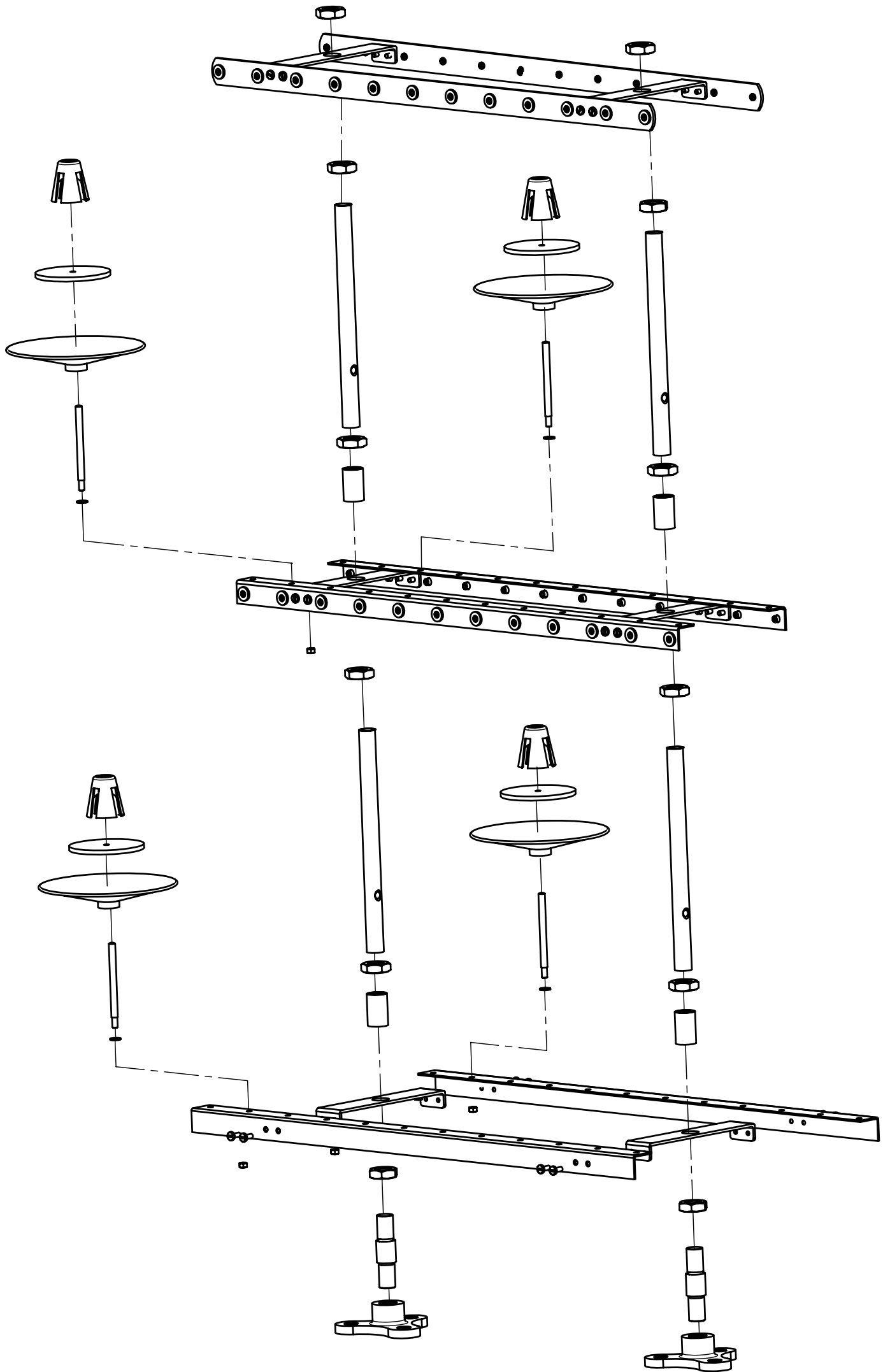
十三、后凸轮部件/After Cam assemblies

序号 No	件号 Part No.	参考件号 Ref.Part.No	名称	Description	数量 Number	备注 Remark
1	305S20014	SM524	后拖轮球连杆螺钉M5×8.5	Screw	2	组件3050501700
2	30522021	CL48	O型圈 $\phi 7 \times \phi 10 \times \phi 1.9$	Washer	1	
3	305S30007	CL49	球连杆球杆	Iron Cover	1	
4	30505018		后拖轮球连杆头部	Iron Cover	1	
5	30505019	CL50	后拖轮球连杆杆体	Bearing	1	
6	305S16008		六角螺母M6	Nut	1	
7	30505020	CL50	连接连杆	Bearing	1	
8	W01090	CL48	垫圈5	Washer	2	
9	B07011	CL49	滚针轴承K8×11×10	Iron Cover	1	
10	30503034	-----	轴承滚套	Bushing	1	
11	30504015	VCL14	后拖轮传送轴左曲柄	Crank	1	
12	305S30009	CL47	传动轴左曲柄调节柱	Screw	1	
13	S05037	SM612	内六角圆柱头螺钉 M6×15	Screw	1	
14	30512055	CL37	后拖轮传动连接板	Jib	1	
15	N01004	NM511	六角螺母M5	Nut	1	
16	I37S17001	SM451	十字槽半沉头螺钉 M4×9	Screw	3	
17	30525013	VCL16	光滑式上轮	After Cam Assy	1	上平轮
18	30525008	VCL08	齿轮式上轮	Press Wheel	1	上齿轮
19	30512056	CL38	蝶形卡簧	Spring	1	
20	I38S17301	SK373	开槽沉头螺钉 M3×8	Screw	5	
21	30503063	-----	单向轴承主动轮	Bushing	2	
22	B07054	-----	单向滚针轴承NSK FC-20	Bearing	2	
23	30503035	VCL15	后上轮内套	Gear Wheel Cover	1	
24	30512057	CL45	单向轴承止动轮	Bracket	1	
25	30502023	VCL17	压轮轴	Shaft	1	
26	H05008	CL41	开口挡圈8	Washer	5	
27	20128010	CL41	垫圈10	Washer	1	
28	305S11012	SM470	轴肩螺钉M4	Screw	1	
29	S09008	SM502	内六角平端紧定螺钉M5×5	Screw	2	GB/T77
30	S01065	-----	开槽圆柱头螺钉 M5×6	Screw	4	
31	3050100800	VCL18	后压轮架组件	Press Wheel Fight	1	组件3050100800
31	30501041		后压轮架	Press Wheel Fight	1	
31	30503032		后压轮架厚铜套	Bushing	1	
31	30503033		后压轮架薄铜套	Bushing	1	
32	30503036	VCL31	后轮挤压套	Bushing	1	
33	W01010	WM800	垫圈8	Washer	1	
34	N01008	NM810	六角螺母 M8	Nut	2	
35	30512054	-----	后拖轮防护罩	Plate	1	
36	S09002	SM603	内六角平端紧定螺钉M6×6	Screw	1	GB/T77
37	3050501700	CL51	后拖轮球连杆组件	connection Assy	1	
38	3050901500	-----	后凸轮组件(齿轮式)	After Cam Assembly	1	
38	3050901700	-----	后凸轮组件(光滑式)	After Cam Assembly	1	



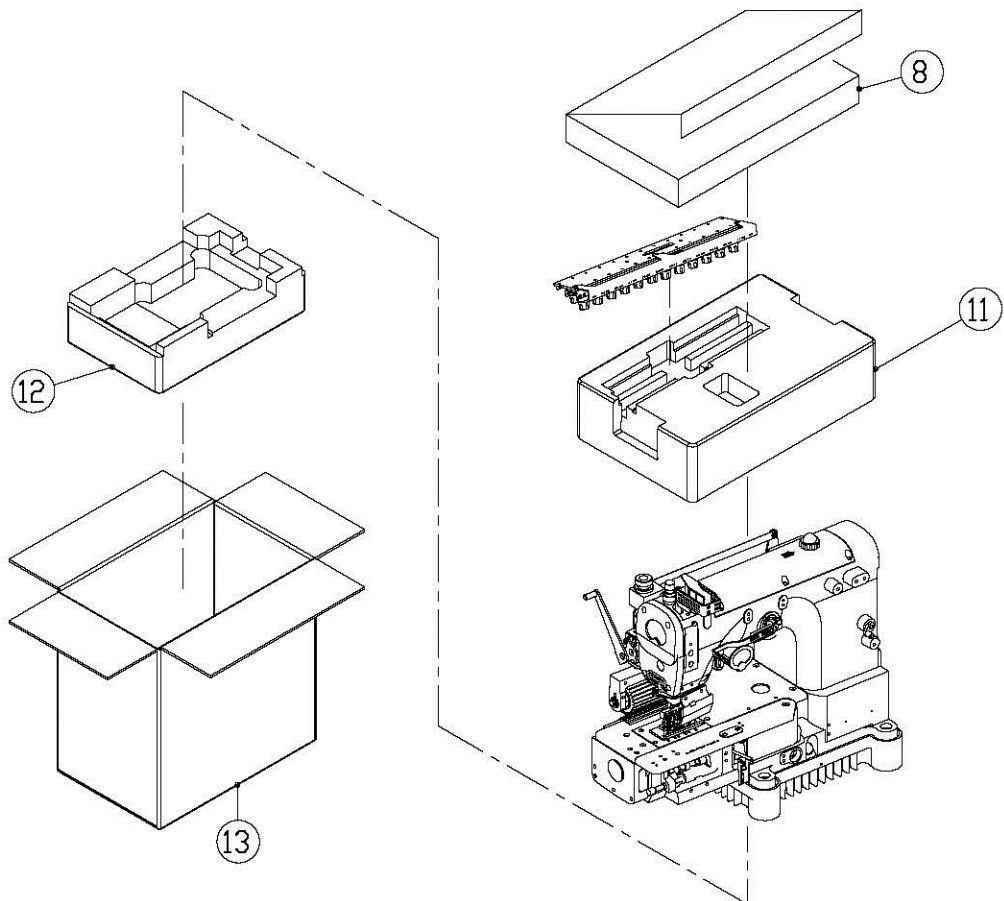
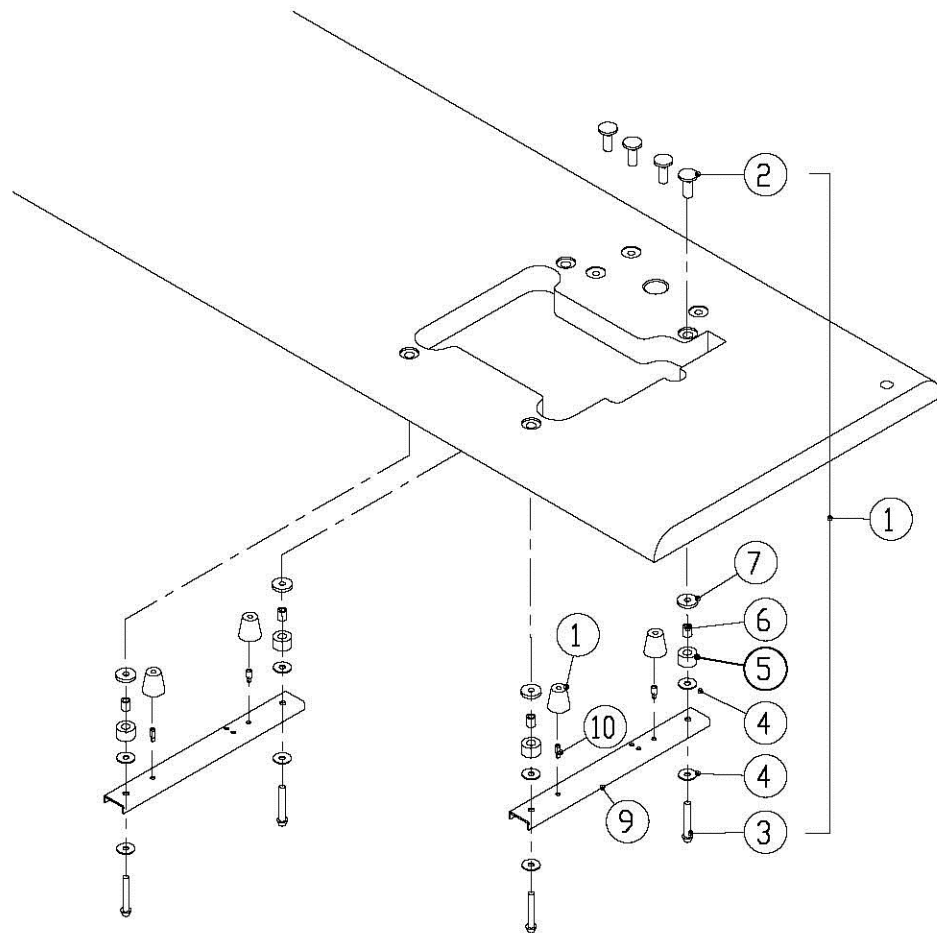
十四、附件部件(1)/Accessories Assemblies (1)

序号 No	件号 Part No.	参考件号 Ref.Part.No	名称	Description	数量 Number	备注 Remark
1	40131017	-----	防尘罩	dust guard	1	
2	20131037	MY02	油壶	Oil Can	1	
3	20131038	MY03	小油壶	Oil Can	2	
4	20131039	KY04	漏斗	Oil Funnel	1	
5	20131041	KY07	6mm六角扳手	Spanner(6mm)	1	
6	20131042	KY08	7mm六角扳手	Spanner(7mm)	1	
7	20131043	KY09	8mm六角扳手	Spanner(8mm)	1	
8	20131044	MY09	内六角螺丝刀1.5mm	Inner-hexagon Driver(1.5mm)	1	
9	20131046	MY08	2mm内六角扳手	Inner-hexagon Driver(2mm)	1	
10	30131010	MY10	3mm内六角扳手	Inner-hexagon Driver(3mm)	1	
11	30131012	MY11	4mm内六角扳手	Inner-hexagon Driver(4mm)	1	
12	20131047	MY12	5mm内六角扳手	Inner-hexagon Driver(5mm)	1	
13	20131056	KY11	6mm内六角扳手	Inner-hexagon Driver(6mm)	1	
14	10131002	KY14	大号一字螺钉刀	Screw Driver	1	
15	10131003	KY17	中号一字螺钉刀	Screw Driver	1	
16	10131004	KY16	小号一字螺钉刀	Screw Driver	1	
17	20131051	KY18	镊子	Tweezer	1	
18	20136001	KT14	滤油器	Oil Filter	1	
19	30517004	Uo113	机针	Needle	10	
20	20131045	MY09	内六角螺丝刀1.6mm	Inner-hexagon Driver(1.6mm)	1	
21	30531029	-----	说明书零件样本	Parts list Instruction book	1	
22	30131018	KY21	链条	Chain	1	
23	30135004	-----	皮带	Leather belt	1	非直驱配备



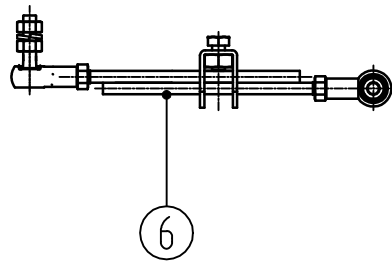
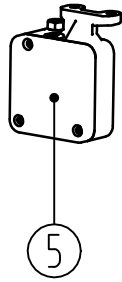
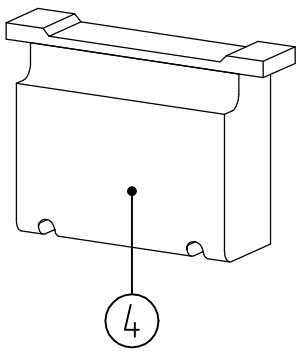
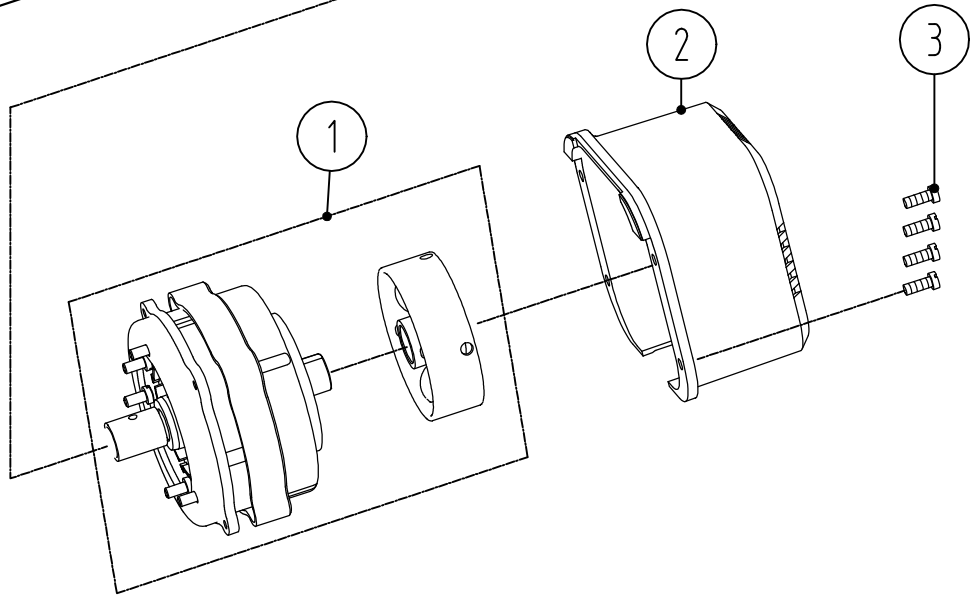
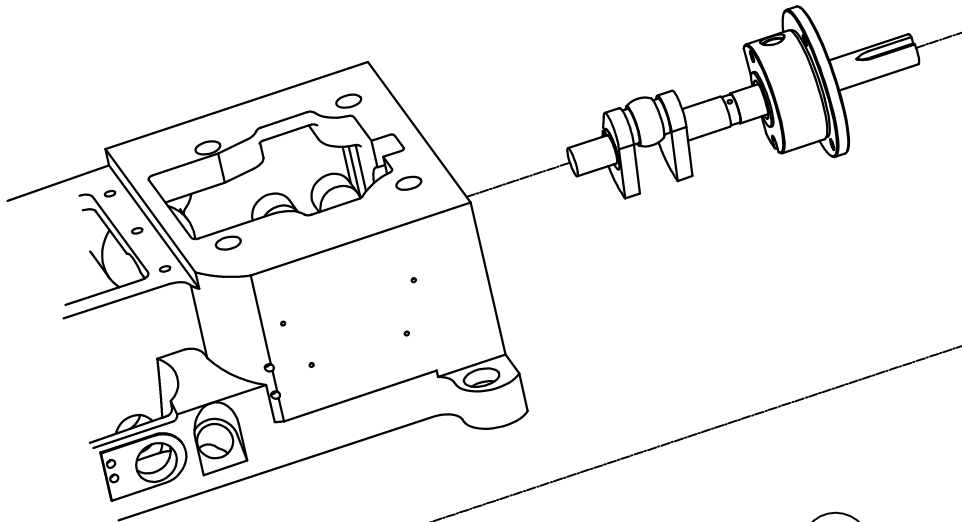
十五、附件部件(2)/Accessories Assemblies (2)

序号 No	件号 Part No.	参考件号 Ref.Part.No	名称	Description	数量 Number	备注 Remark
1	30532002	-----	8线线架	Fight	1	4针用
2	30532003	-----	12线线架	Fight	1	6针用
3	30532004	-----	16线线架	Fight	1	8针用
4	30532005	-----	24线线架	Fight	1	12-25针用



十六、附件部件(3)/Accessories Assemblies (3)










序号 No	件号 Part No.	参考件号 Ref.Part.No	名称	Description	数量 Number	备注 Remark
1	30122029	206338	油盘减振垫	Rubber cushion	4	
2	20131028	206336	托盘固定螺母	Nut	4	
3	20131027	4512	托板内六角螺钉	Bolt	4	
4	20131029	KX08	金属垫圈	Washer	8	
5	30122029	KX09	托板减振垫	Rubber cushion	4	
6	30103078	-----	减振垫支撑套	Spacer	4	
7	30122031	-----	减震垫圈	Rubber cushion	4	
8	30531028	-----	附件盒	Accessory Box	1	
9	30532001	VN01	安装板	Rest board	2	
10	301S30018	-----	螺钉	Screw	4	
11	30531025	-----	泡沫箱 (上)	Box	1	
12	30531026	-----	泡沫箱 (下)	Box	1	
13	30531027	-----	纸箱	Paper Box	1	



十七、DI 直驱专用部件/DI Special for direct drive assemblies

序号 No	件号 Part No.	参考件号 Ref.Part.No	名称	Description	数量 Number	备注 Remark
1	3053300200		直驱电机	Motor direct drive	1	
2	30511011		电机护罩	Motor cover	1	
3	S01059	SM534	开槽球面圆柱头螺钉M5×13	Screw	7	
4	3053004000	-----	控制器	Direct-drive interlock controller	1	
5	20730338		调速器	eccentric retainer	1	
6	20730335		拉杆	Link	1	

标准度量零件表 Standard Measurement Part List

									
模型 MODEL	规格 SYB CLASS	种类 NEEDLE HOLDER	针架头 NEEDLE CLAMP	针板 NEED PLATE	牙齿 FEED DOG	压脚 PRESSER FOOT	喂针轴 PETAINER HOLDER	弯针架 LOOPER HOLDER	针规格 NEEDLE
JK-8009VC-040	64P	1/4"	30534009	30515009	30514009	30516009	30502034	30504028	14#
	80P	5/16"	30534018	30515019	30514020	30516021	30502050	30504040	16#
	85P	1/3"	30534001	30515001	30514001	30516001	30502008	30504008	16#
	95P	3/8"	30534013	30515013	30514013	30516013	305020032	30504024	16#
JK-8009VC-060	48P	3/16"	30534012	30515012	30514012	30516012	305020031	30504023	14#
	64P	1/4"	30534003	30515003	30514003	30516003	305020024	30504016	14#
	80P	5/16"	30534011	30515011	30514011	30516011	30502030	30504030	16#
	95P	3/8"	30534022	30515051	30514024	30516025	30502054	30504044	16#
JK-8009VC-080	32P	1/8"	30534014	30515015	30514015	30516016	30502036	30504031	14#
	48P	3/16"	30534020	30515021	30514022	30516023	30502052	30504042	14#
	64P	1/4"	30534004	30515004	30514004	30516004	30502025	30504017	14#
	85P	1/3"	30534016	30515017	30514018	30516018	30502037	30504038	16#
JK-8009VC-120	32P	1/8"	30534017	30515018	30514019	30516020	30502049	30504039	14#
	48P	3/16"	30534010	30515010	30514010	30516010	30502035	30504029	14#
	64P	1/4"	30534002	30515002	30514002	30516002	30502009	30504009	14#
JK-8009VC-130	64-32P	1/4"-1/8"	30534005	30515005	30514005	30516005	30502026	30504018	14#
JK-8009VC-170	32P	1/8"	30534006	30515006	30514006	30516006	30502027	30504019	14#
JK-8009VC-230	32P	1/8"	30534015	30515016	30514017	30516017	30502038	30504037	14#
JK-8009VC-250	32P	1/8"	30534008	30515008	30514008	30516008	30502029	30504021	14#

杰克缝纫机
全球销量遥遥领先
Leading in global sales

400-8876-858
www.chinajack.com



JACK SEWING MACHINE CO.,LTD.

2019年1月份 Edition: January, 2019

杰克缝纫机股份有限公司

浙江省台州市椒江区机场南路15号
电话 :0086-576-88177788 88177789
传真 :0086-576-88177758
产品标准代号 : Q/TK 007-2017
资料如有更改, 恕不另行通知, 以实样为准

JACK SEWING MACHINE CO.,LTD.

No. 15 Airport South Road, Jiaojiang District, Taizhou, Zhejiang, PRC
TEL: 0086-576-88177782 88177767 E-mail: sales@chinajack.com
FAX: 0086-576-88177787 www.chinajack.com
Standard code of the products: Q/TK 007-2017
You will be not informed if the file has been revised. Please set sample as standard.