

MODEL : MF-7700-E10

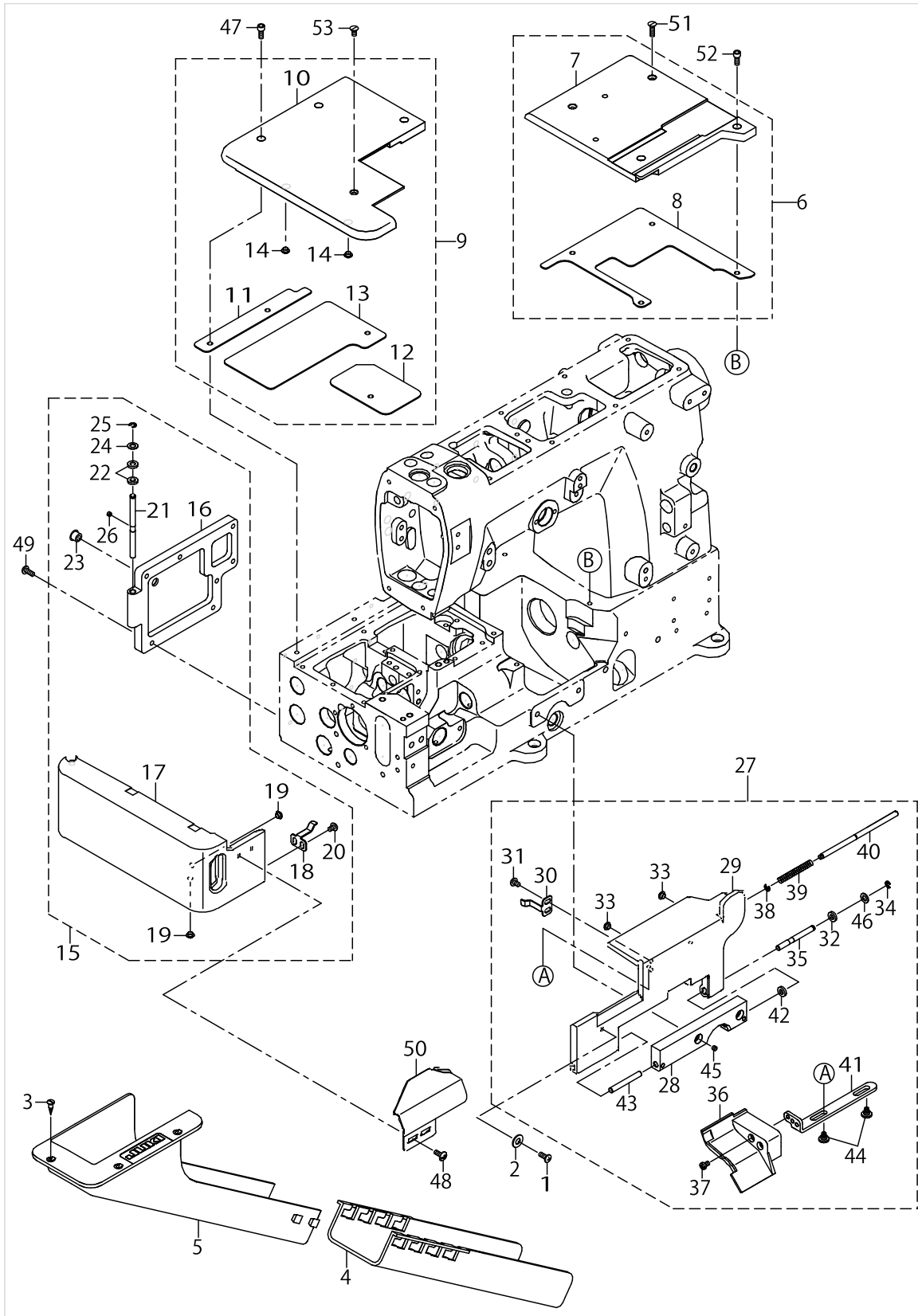
List No : 1458-01

PARTS LIST

Published:02/15/2019

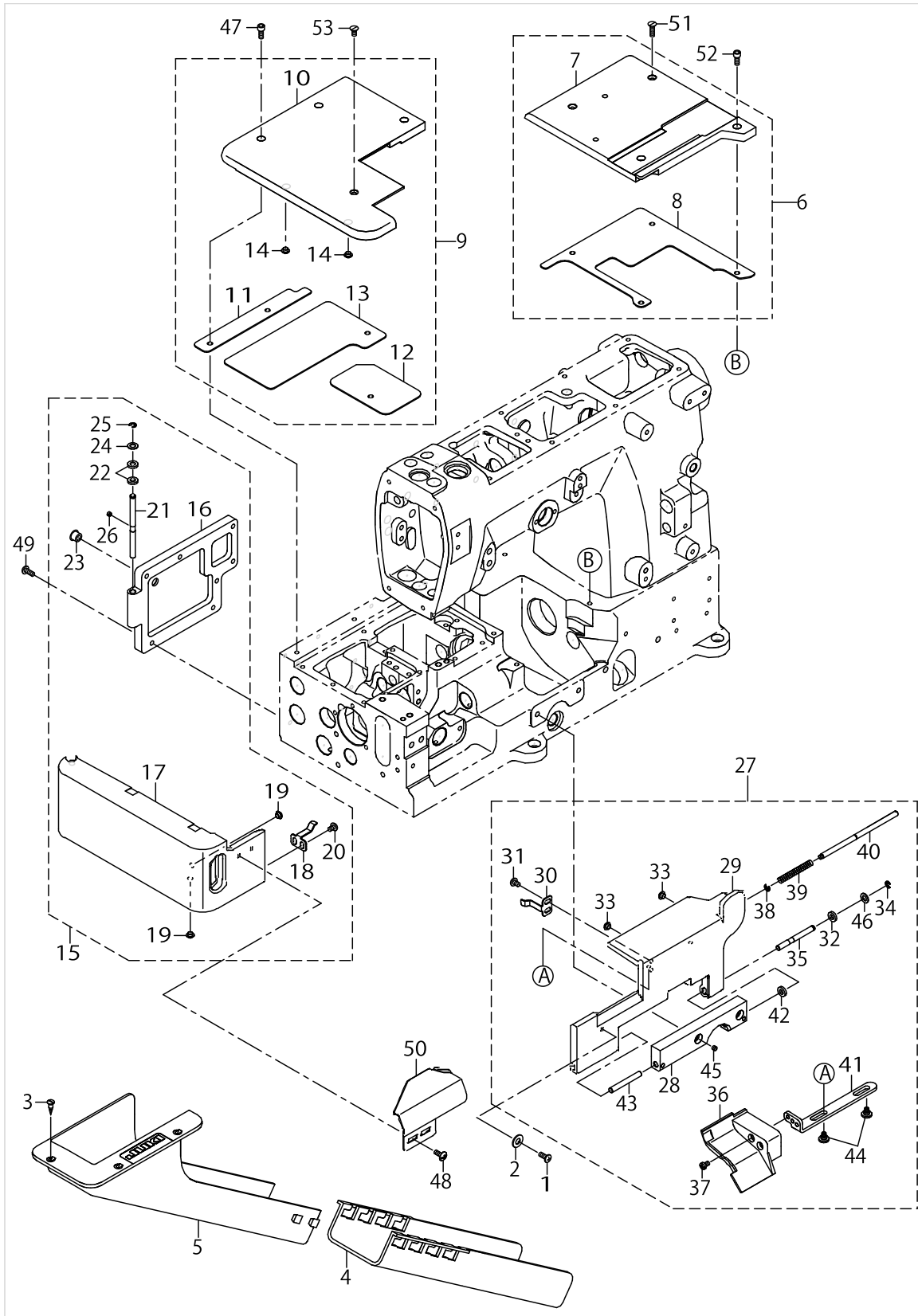
CONTENTS

MF-7700-E10 (1).....	1
MF-7700-E10 (2).....	5
MF-7700-E10 (3).....	9
HOW TO MAKE USE OF THIS PARTS LIST	11



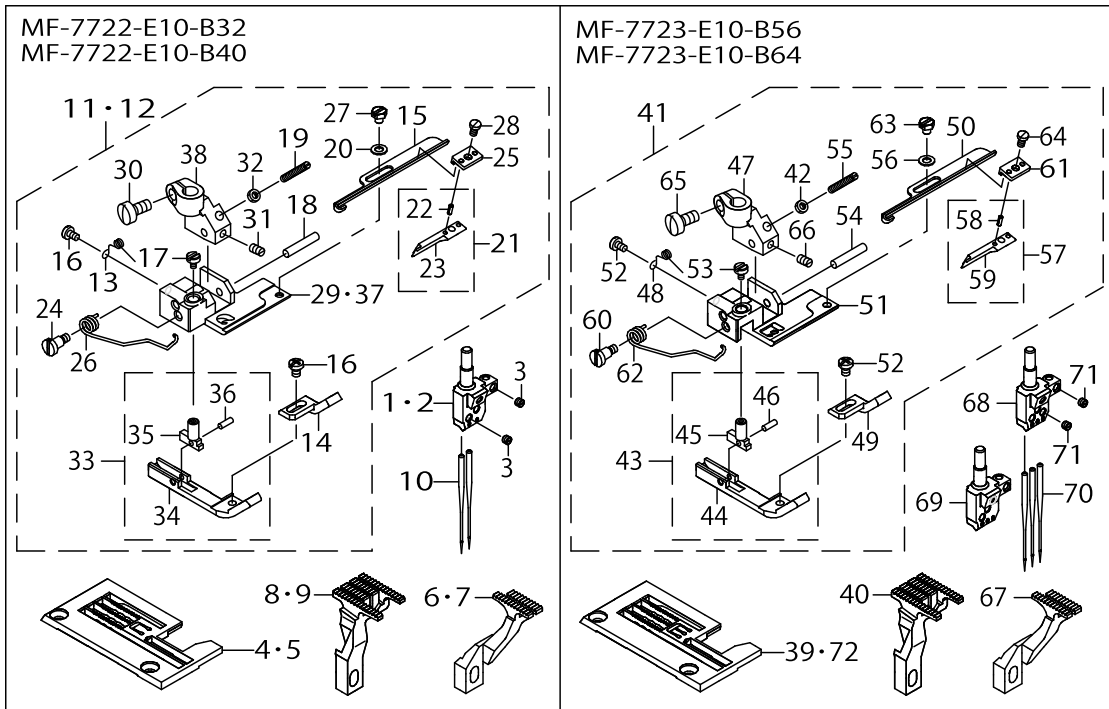
MF-7700-E10 (1)

No.	Parts No.	Parts name	Remarks	Level	Cons	Qty
1	SM0041055SP	SCREW				1
2	WP0621016SD	WASHER 6.2X13X1				1
3	SK2351601SE	WOOD SCREW D=3.5 L=16				3
4	12341806	CLOTH WASTE CHUTE				1
5	40017248	DUST_SHOOT_UP				1
6	40018136	ASSY_CLOTH_PLATE_RIGHT_SUB				1
7	40018137	CLOTH_PLATE_RIGHT_SUB		*		1
8	13304704	GASKET_CPR		*		1
9	40042596	ASSY CLOTH PLATE LEFT				1
10	40042487	CLOTH PLATE LEFT		*		1
11	13304803	GASKET_CPL		*		1
12	13304902	GASKET_TPS		*		1
13	13305008	GASKET_BTC		*		1
14	13302302	RUBBER BUMPER		*		2
15	40042597	ASSY SIDE COVER SUB				1
16	13303904	FEED CHAMBER COVER		*		1
17	40042486	SIDE COVER SUB		*		1
18	13304308	LATCH SPRING		*		1
19	13302302	RUBBER BUMPER		*		2
20	SM4040655SP	SCREW M4 L=6		*		2
21	13305107	PIN_FOR_SIDE_COVER		*		1
22	13302708	RUBBER_WASHER		*		2
23	TA0850604R0	RUBBER PLUG		*		1
24	WP0550800SP	WASHER 5.5X10X0.8		*		1
25	RE0300000K0	E-RING 3		*		1
26	SM8040360TP	SCREW		*		1
27	40042566	ASSY MAIN COVER				1
28	13303508	HINGE		*		1
29	40042485	MAIN COVER		*		1
30	40008947	LATCH_SPRING		*		1
31	SM4040655SP	SCREW M4 L=6		*		2
32	13302708	RUBBER_WASHER		*		1
33	13302302	RUBBER BUMPER		*		2
34	RE0300000K0	E-RING 3		*		1
35	13305206	PIN_FOR_S_D_COVER		*		1
36	40008699	SLIP_COVER		*		1
37	SM4040655SP	SCREW M4 L=6		*		2
38	RE0300000K0	E-RING 3		*		1
39	13101209	LOOPER COVER SPRING		*		1
40	40008940	SLIDE_SHAFT		*		1
41	40008939	PLATE_A		*		1
42	13302708	RUBBER_WASHER		*		1
43	PH0500400C0	PARALLEL PIN		*		1
44	SD0600326TP	SHOULDER SCREW D6 H3.2		*		2
45	SM8040360TP	SCREW		*		2
46	WP0550800SP	WASHER 5.5X10X0.8		*		1
47	SM6041002TP	SCREW M4 L=10				3



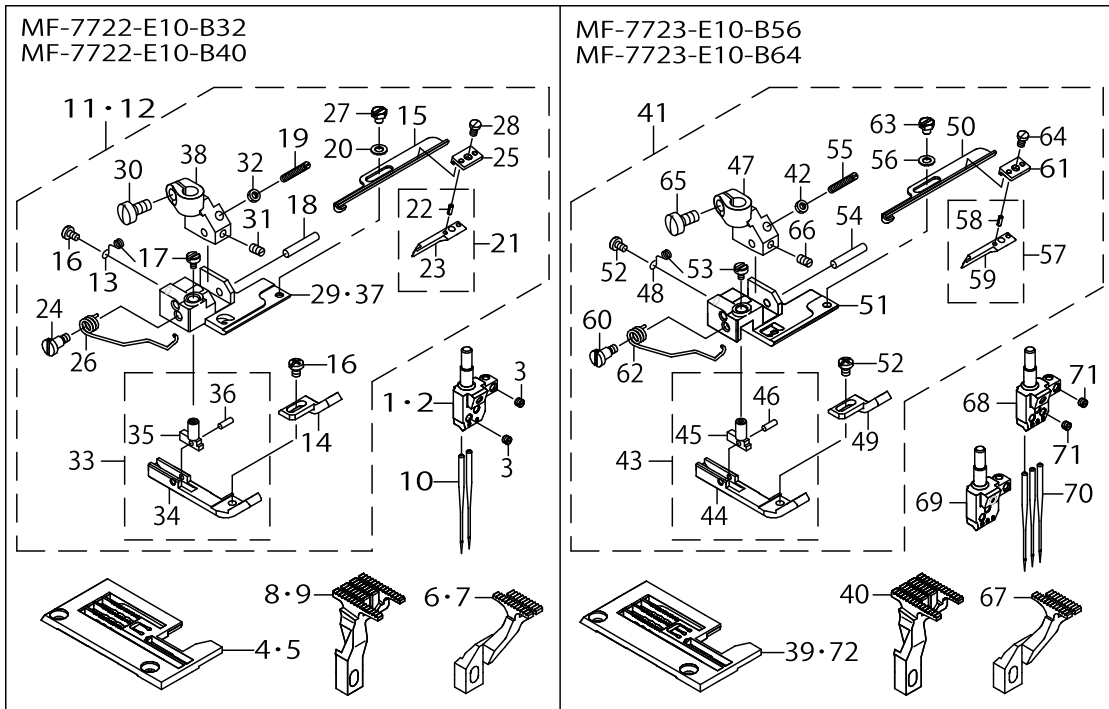
MF-7700-E10 (1)

No.	Parts No.	Parts name	Remarks	Level	Cons	Qty
48	SM0041055SP	SCREW				2
49	SM4041055SP	SCREW				7
50	40040542	GUIDE CIRCLE				1
51	SM1041400SP	SCREW				2
52	SM6041002TP	SCREW M4 L=10				2
53	SM1040800SP	SCREW				1



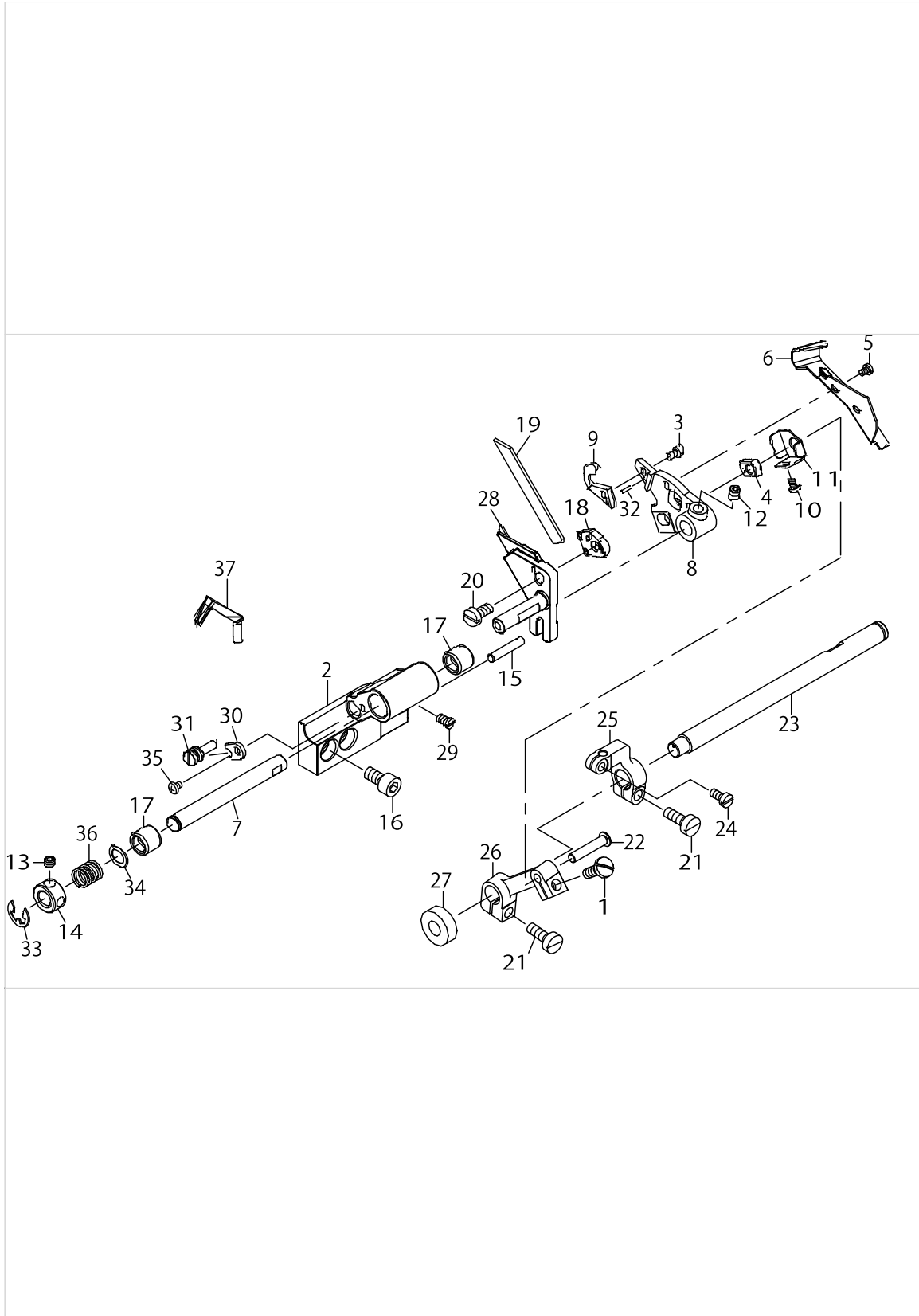
MF-7700-E10 (2)

No.	Parts No.	Parts name	Remarks	Level	Cons	Qty
1	13350103	NEEDLE_HEAD_40	FOR MF-7722-E10-B40			1
2	13350004	NEEDLE_HEAD_32	FOR MF-7722-E10-B32			1
3	SM8030350TP	SCREW				3
4	13356001	THROAT_PLATE				1
5	40058580	THROAT_PLATE	FOR MF-7722-E10-B32			1
6	13358106	DIFF_FEED_DOG	FOR MF-7722-E10-B40			1
7	40058582	DIFF_FEED_DOG	FOR MF-7722-E10-B32			1
8	13354006	MAIN_FEED_DOG	FOR MF-7722-E10-B40			1
9	40058581	MAIN_FEED_DOG	FOR MF-7722-E10-B32			1
10	MUY128S1000	NEEDLE				2
11	40018288	PRESSER_FOOT_40_ASSY	FOR MF-7722-E10-B40			1
12	40058591	PRESSER_FOOT_32_ASSY	FOR MF-7722-E10-B32			1
13	13376603	YIELDING_SECTION_SPRING		*		1
14	13377601	KNIFE_GUIDE		*		1
15	13377908	TAPE_GUIDE_LEFT		*		1
16	SM4030455SP	SCREW		*		2
17	13376702	THREAD_SPRING_SCREW		*		1
18	PH0300162C0	PARALLEL PIN 3X16		*		1
19	13376801	SCREW_FOR_PRESSER_FOOT		*		1
20	WP0320500SC	WASHER M3		*		1
21	40027528	TAPE_GUIDE_RIGHT_ASSY		*		1
22	PS0150042K0	SPRING PIN 1.5X 4		*		2
23	40027527	TAPE_GUIDE_RIGHT		*		1
24	13377809	GUIDE_SCREW		*		1
25	13378203	PLATE_TAPE_GUIDE		*		1
26	13377700	YIELDING_SECTION_SPRING		*		1
27	13378005	SCREW		*		1
28	SM6850400SP	SCREW M2.5 L=4		*		1
29	13376108	PRESSER_FOOT_BOTTOM_40	FOR MF-7722-E10-B40	*		1
30	SM7040800SL	SCREW		*		1
31	SM8030500SP	SCREW		*		1
32	NM6030001SD	NUT M3X0.5		*		1
33	13377551	YIELDING_SECTION_ASSY		*		1
34	13377502	YIELDING_SECTION		*		1
35	13377205	YIELDING_SECTION_SHANK		*		1
36	13377304	PIVOT_PIN		*		1
37	40058590	PRESSER_FOOT_BOTTOM_32	FOR MF-7722-E10-B32	*		1
38	13376504	PRESSER_FOOT_SHANK		*		1
39	13356308	THROAT_PLATE	FOR MF-7723-E10-B64			1
40	13354105	MAIN_FEED_DOG				1
41	40018289	PRESSER_FOOT_56_ASSY				1
42	NM6030001SD	NUT M3X0.5		*		1
43	13377551	YIELDING_SECTION_ASSY		*		1
44	13377502	YIELDING_SECTION		*		1
45	13377205	YIELDING_SECTION_SHANK		*		1
46	13377304	PIVOT_PIN		*		1
47	13376504	PRESSER_FOOT_SHANK		*		1



MF-7700-E10 (2)

No.	Parts No.	Parts name	Remarks	Level	Cons	Qty
48	13376603	YIELDING_SECTION_SPRING		*		1
49	13377601	KNIFE_GUIDE		*		1
50	13377908	TAPE_GUIDE_LEFT		*		1
51	13376207	PRESSER_FOOT_BOTTOM_56		*		1
52	SM4030455SP	SCREW		*		2
53	13376702	THREAD_SPRING_SCREW		*		1
54	PH0300162C0	PARALLEL_PIN_3X16		*		1
55	13376801	SCREW_FOR_PRESSER_FOOT		*		1
56	WP0320500SC	WASHER_M3		*		1
57	40027528	TAPE_GUIDE_RIGHT_ASSY		*		1
58	PS0150042K0	SPRING_PIN_1.5X_4		*		2
59	40027527	TAPE_GUIDE_RIGHT		*		1
60	13377809	GUIDE_SCREW		*		1
61	13378203	PLATE_TAPE_GUIDE		*		1
62	13377700	YIELDING_SECTION_SPRING		*		1
63	13378005	SCREW		*		1
64	SM6850400SP	SCREW_M2.5_L=4		*		1
65	SM7040800SL	SCREW		*		1
66	SM8030500SP	SCREW		*		1
67	13358205	DIFF_FEED_DOG				1
68	13350301	NEEDLE_HEAD_56	FOR MF-7723-E10-B56			1
69	13350400	NEEDLE_HEAD_64	FOR MF-7723-E10-B64			1
70	MUY128S1000	NEEDLE				3
71	SM8030350TP	SCREW				4
72	13356209	THROAT_PLATE	FOR MF-7723-E10-B56			1



MF-7700-E10 (3)

No.	Parts No.	Parts name	Remarks	Level	Cons	Qty
1	SM5051255SN	SCREW				1
2	40040529	TRIMMER BASE				1
3	SM6030500SN	SCREW M3 L=5				1
4	40028795	ROCKER BLOCK				1
5	SM4030455SP	SCREW				2
6	40040539	FABRIC CHIP GUARD				1
7	40040540	MOVING KNIFE SHAFT				1
8	40040537	MOVING KNIFE BASE				1
9	40038754	MOVING_KNIFE				1
10	SM4030455SP	SCREW				1
11	40040538	ROCKER BLOCK PLATE				1
12	SM8050612TP	SCREW M5X6				1
13	SM8050412TP	SCREW M5 L=4				1
14	CS0800881TP	THRUST COLLAR				1
15	PH0400225S0	PARALLEL PIN 4X22				1
16	SM6061202TP	SCREW M6 L=12				2
17	40040613	BUSHING FABRIC TRIM RIGHT				2
18	40040547	LOWER KNIFE PRESSER PLATE				1
19	40038091	LOWER_KNIFE				1
20	SM6051000SP	SCREW				1
21	SM6051400SP	SCREW				2
22	40028796	SHAFT				1
23	40008950	SHAFT_NDL_GUARD				1
24	SM6040800SP	SCREW				1
25	40008949	REAR_NDL_GUARD_HOLDER				1
26	40008948	LINK_A				1
27	SB108000900	BEARING				1
28	40040534	FIXED KNIFE BASE				1
29	SM6040660TP	SCREW M4 L=6				1
30	40040535	ADJUST PLATE				1
31	40040536	ADJUST SCREW				1
32	PH0150065C0	PARALLEL PIN 1.5X6				1
33	RE0700000K0	E-RING 7				1
34	WP0820516SP	WASHER 11.6X8.2X0.6				1
35	SM4030455SP	SCREW				1
36	40040541	KNIFE SPRING				1
37	40065790	REAL NDL GUARD				1

HOW TO MAKE USE OF THIS PARTS LIST

1.As to "#01" and "#02" refer to the "Note" given at the bottom of the respective pages.

2.Codes on the "Qty" column

- Each numeral indicates the number of parts required.
- "0.1" and "2.5" indicate the length (in meters) of the respective parts.

3.Parentheses mean that the corresponding part is a subpart that constructs an assembly part.

4.Dotted lines on the Figures indicate assembly parts.

1. リストページの# 0 1、# 0 2の印は、ページ下の"注記"の説明を参照下さい。
2. 数量欄の数字は、個数を表し、0. 1、2. 5等の数値は、長さ（単位メートル）を表します。
3. 数量欄の（ ）は、組部品を構成している子部品であることを意味します。
4. イラストページの-----枠は、組構成であることを意味します。

NUMERICAL INDEX OF PARTS

PART NO	PAGE	REF NO.	PART NO	PAGE	REF NO.	PART NO	PAGE	REF NO.
12341806	2	4	13378005	6	63	40058590	6	29·37
13101209	2	39	13378005	8	63	40058591	6	11·12
13302302	2	33	13378203	6	61	40065790	10	37
13302708	2	42	13378203	8	61	CS0800881TP	10	14
13303508	2	28	40008699	2	36	MUY128S1000	6	70
13303904	2	16	40008939	2	41	MUY128S1000	8	70
13304308	2	18	40008940	2	40	NM6030001SD	6	42
13304704	2	8	40008947	2	30	PH0150065C0	10	32
13304803	2	11	40008948	10	26	PH0300162C0	6	54
13304902	2	12	40008949	10	25	PH0300162C0	8	54
13305008	2	13	40008950	10	23	PH0400225S0	10	15
13305107	2	21	40017248	2	5	PH0500400C0	2	43
13305206	2	35	40018136	2	6	PS0150042K0	6	58
13350004	6	1·2	40018137	2	7	PS0150042K0	8	58
13350103	6	1·2	40018288	6	11·12	RE0300000K0	2	38
13350301	8	68	40018289	6	41	RE0700000K0	10	33
13350400	8	69	40027527	6	59	SB108000900	10	27
13354006	6	8·9	40027527	8	59	SD0600326TP	2	44
13354105	6	40	40027528	6	57	SK2351601SE	2	3
13356001	6	4·5	40027528	8	57	SM0041055SP	2	48
13356209	8	39·72	40028795	10	4	SM0041055SP	4	48
13356308	6	39·72	40028796	10	22	SM1040800SP	4	53
13358106	6	6·7	40038091	10	19	SM1041400SP	4	51
13358205	8	67	40038754	10	9	SM4030455SP	6	52
13376108	6	29·37	40040529	10	2	SM4030455SP	8	52
13376207	8	51	40040534	10	28	SM4030455SP	10	35
13376504	6	47	40040535	10	30	SM4040655SP	2	37
13376603	6	48	40040536	10	31	SM4041055SP	4	49
13376603	8	48	40040537	10	8	SM5051255SN	10	1
13376702	6	53	40040538	10	11	SM6030500SN	10	3
13376702	8	53	40040539	10	6	SM6040660TP	10	29
13376801	6	55	40040540	10	7	SM6040800SP	10	24
13376801	8	55	40040541	10	36	SM6041002TP	2	52
13377205	6	45	40040542	4	50	SM6041002TP	4	52
13377304	6	46	40040547	10	18	SM6051000SP	10	20
13377502	6	44	40040613	10	17	SM6051400SP	10	21
13377551	6	43	40042485	2	29	SM6061202TP	10	16
13377601	6	49	40042486	2	17	SM6850400SP	6	64
13377601	8	49	40042487	2	10	SM6850400SP	8	64
13377700	6	62	40042566	2	27	SM7040800SL	6	65
13377700	8	62	40042596	2	9	SM7040800SL	8	65
13377809	6	60	40042597	2	15	SM8030350TP	6	71
13377809	8	60	40058580	6	4·5	SM8030350TP	8	71
13377908	6	50	40058581	6	8·9	SM8030500SP	6	66
13377908	8	50	40058582	6	6·7	SM8030500SP	8	66

NUMERICAL INDEX OF PARTS

PART NO	PAGE	REF NO.
SM8040360TP	2	45
SM8050412TP	10	13
SM8050612TP	10	12
TA0850604R0	2	23
WP0320500SC	6	56
WP0320500SC	8	56
WP0550800SP	2	46
WP0621016SD	2	2
WP0820516SP	10	34