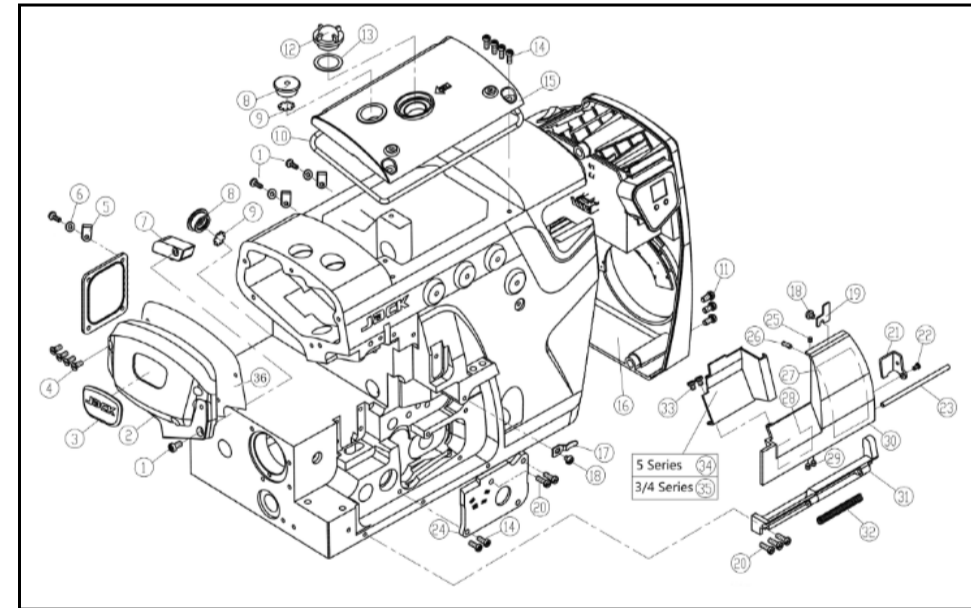


一、机壳部分/Machine Bed Frame

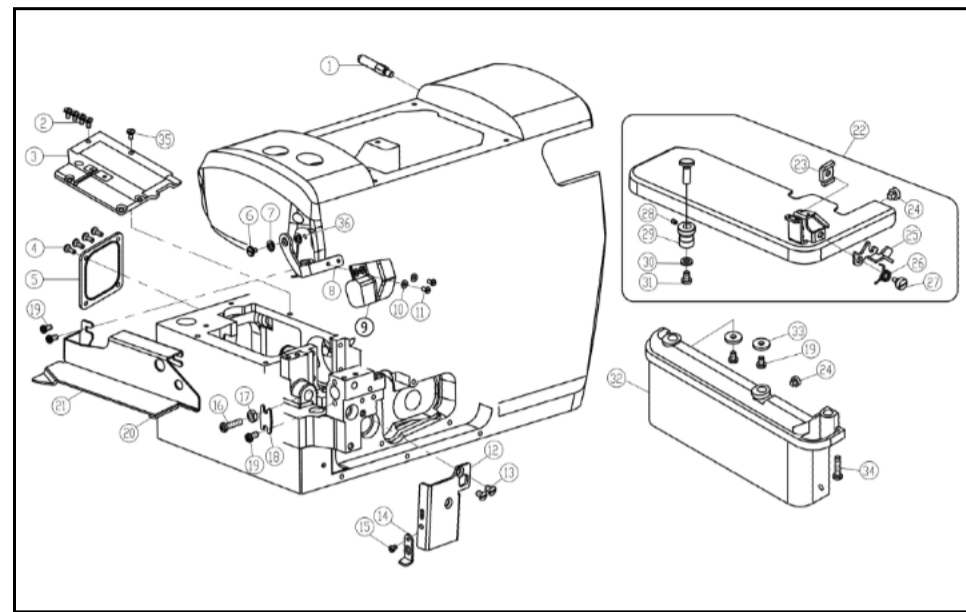
Table with 7 columns: 序号 NO., 公司件号 Part NO., 名称 PartName, 零件描述 Description, 数量 (Number) (三线程, 四线程, 五线程). Contains parts like pins, sleeves, and machine model plates.



二、机壳罩部件(1)/Cover(1)

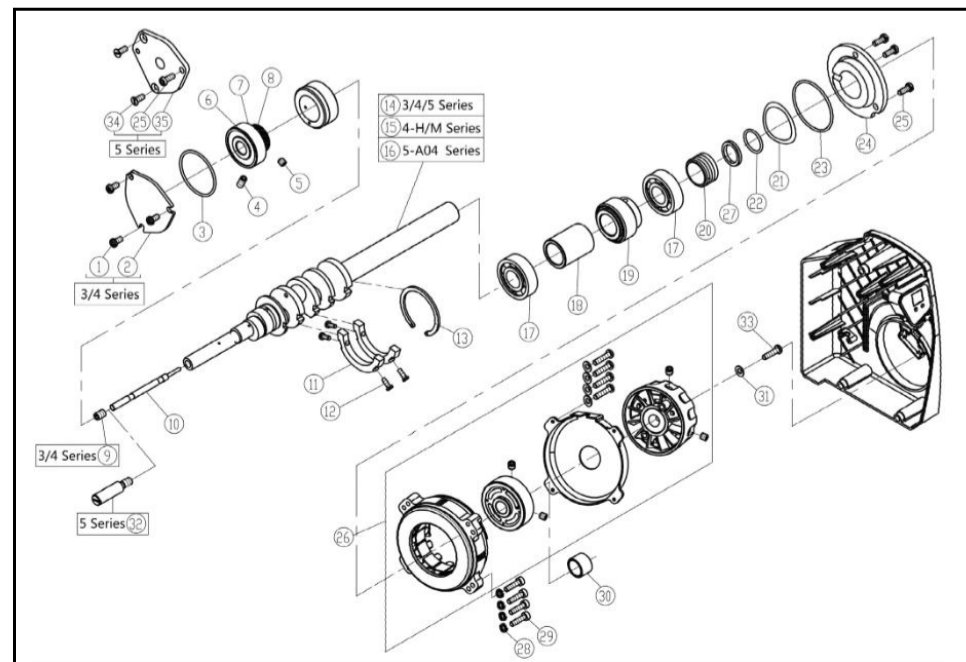
Table with 7 columns: 序号 NO., 公司件号 Part NO., 名称 PartName, 零件描述 Description, 数量 (Number) (三线程, 四线程, 五线程). Contains parts like screws, side covers, and machine model plates.

Table with 7 columns: 序号 NO., 公司件号 Part NO., 名称 PartName, 零件描述 Description, 数量 (Number) (三线程, 四线程, 五线程). Contains parts like screws, threads, and front covers.



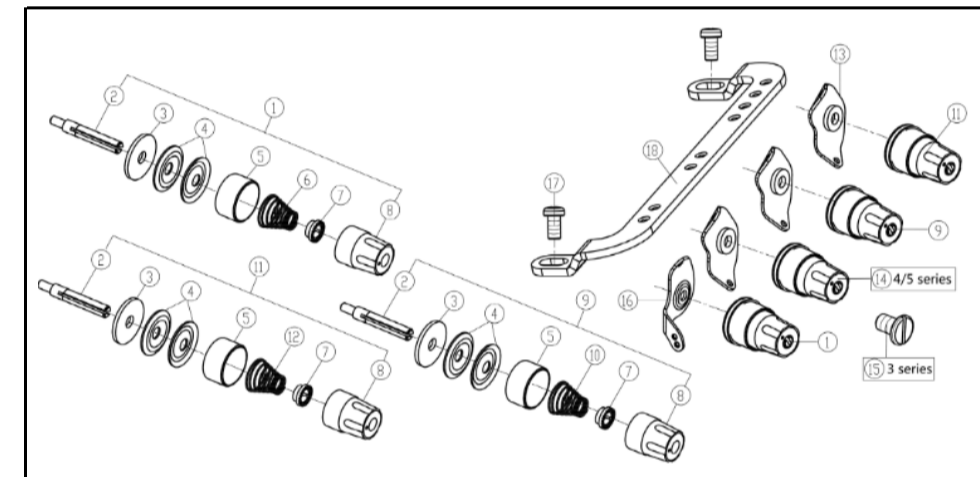
三、机壳罩部件(2)/Cover(2)

Table with 7 columns: 序号 NO., 公司件号 Part NO., 名称 PartName, 零件描述 Description, 数量 (Number) (三线程, 四线程, 五线程). Contains parts like strutting pieces, screws, and plates.



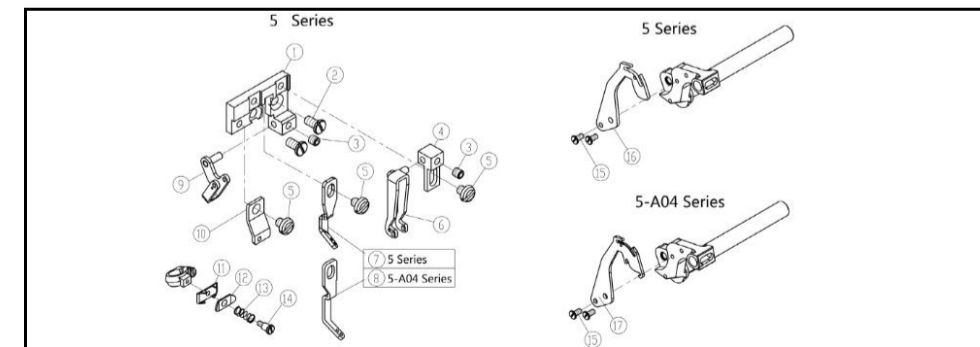
四、主轴部件/Crankshaft Drive Mechanism

Table with 7 columns: 序号 NO., 公司件号 Part NO., 名称 PartName, 零件描述 Description, 数量 (Number) (三线程, 四线程, 五线程). Contains parts like screws, rings, bearings, and the crankshaft.



五、夹线部件/Thread Tension Mechanism

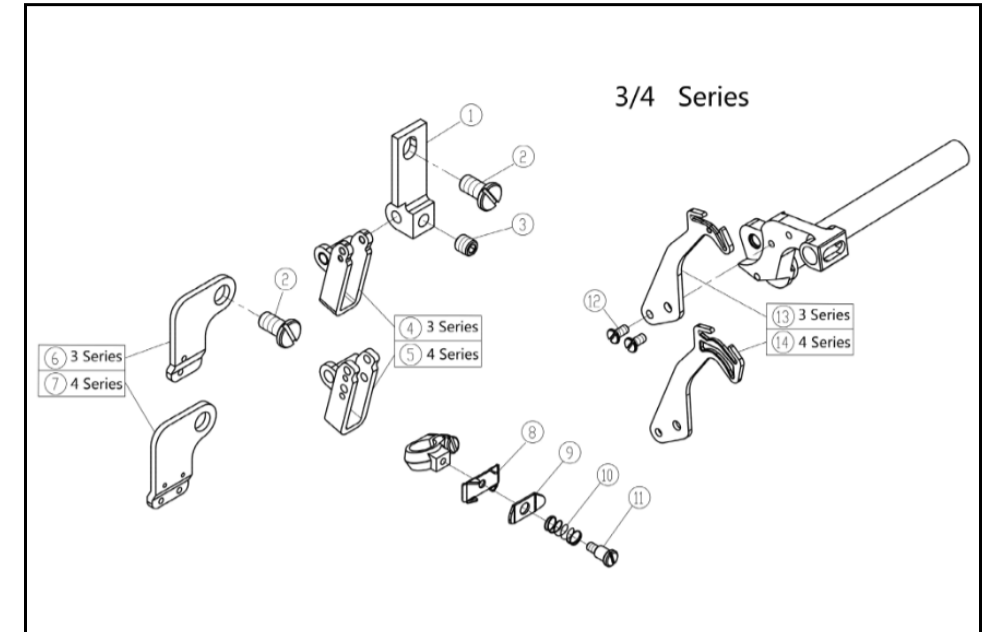
Table with 7 columns: 序号 NO., 公司件号 Part NO., 名称 PartName, 零件描述 Description, 数量 (Number) (三线程, 四线程, 五线程). Contains parts like tension spring assemblies, screws, and guides.



六、过线机构(1)/Thread Guide and Thread Takeup(1)

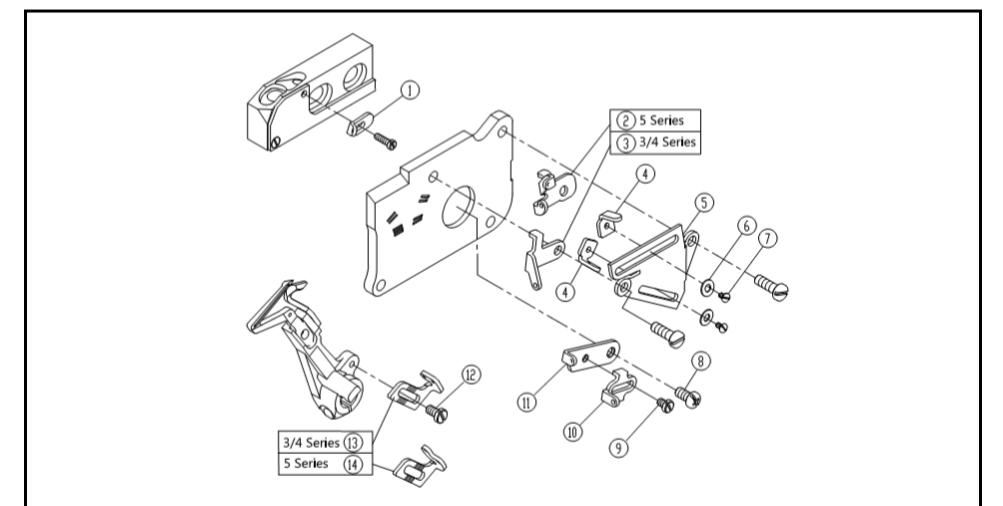
Table with 7 columns: 序号 NO., 公司件号 Part NO., 名称 PartName, 零件描述 Description, 数量 (Number) (三线程, 四线程, 五线程). Contains parts like brackets, screws, and thread guides.

Table with 7 columns: 序号 NO., 公司件号 Part NO., 名称 PartName, 零件描述 Description, 数量 (Number) (三线程, 四线程, 五线程). Contains parts like thread guides, brackets, and retainers.



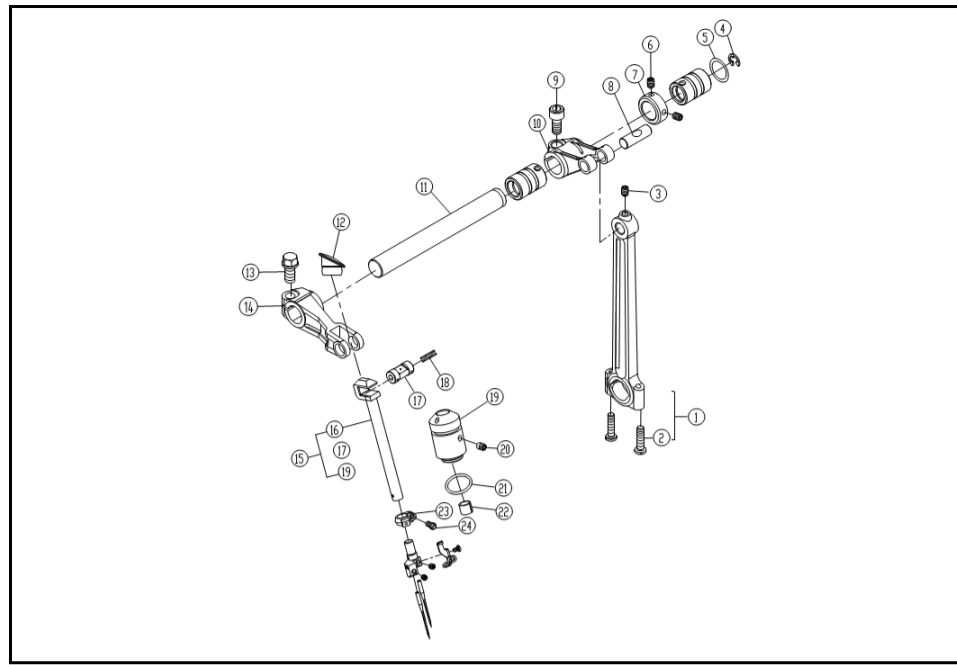
七、过线机构(2)/Thread Guide and Thread Takeup(2)

Table with 7 columns: 序号 NO., 公司件号 Part NO., 名称 PartName, 零件描述 Description, 数量 (Number) (三线程, 四线程, 五线程). Contains parts like brackets, screws, and thread guides.



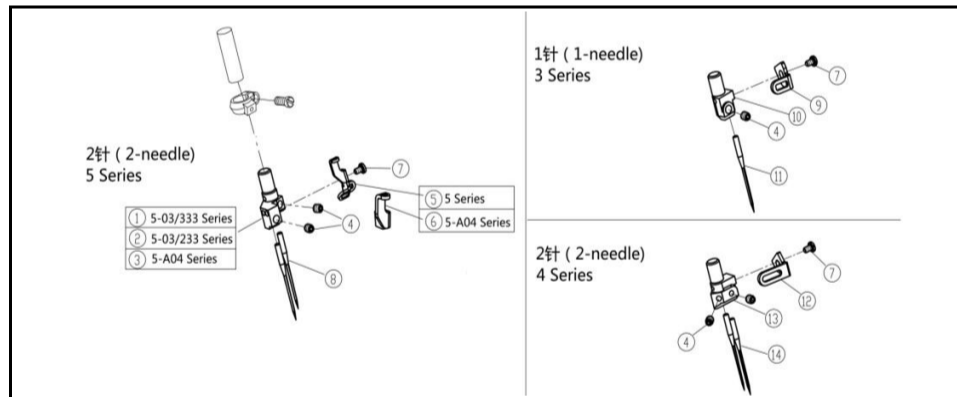
八、过线机构(3)/Thread Guide and Thread Takeup(3)

Table with 7 columns: 序号 NO., 公司件号 Part NO., 名称 PartName, 零件描述 Description, 数量 (Number) (三线程, 四线程, 五线程). Contains parts like thread guides, brackets, and tensioning devices.



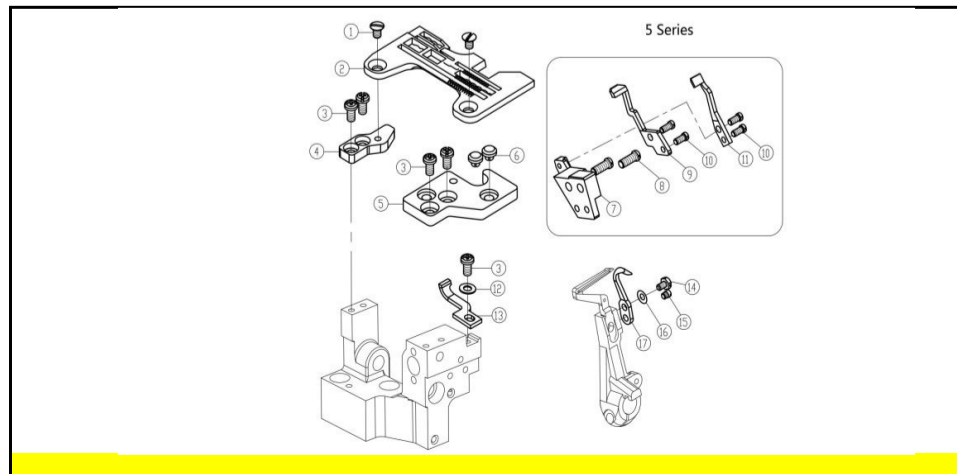
九、针杆部件(1)/Needle Drive Mechanism(1)

Table with 6 columns: Part No., Part No., Part Name, Description, and quantity for three thread types (three-thread, four-thread, five-thread).



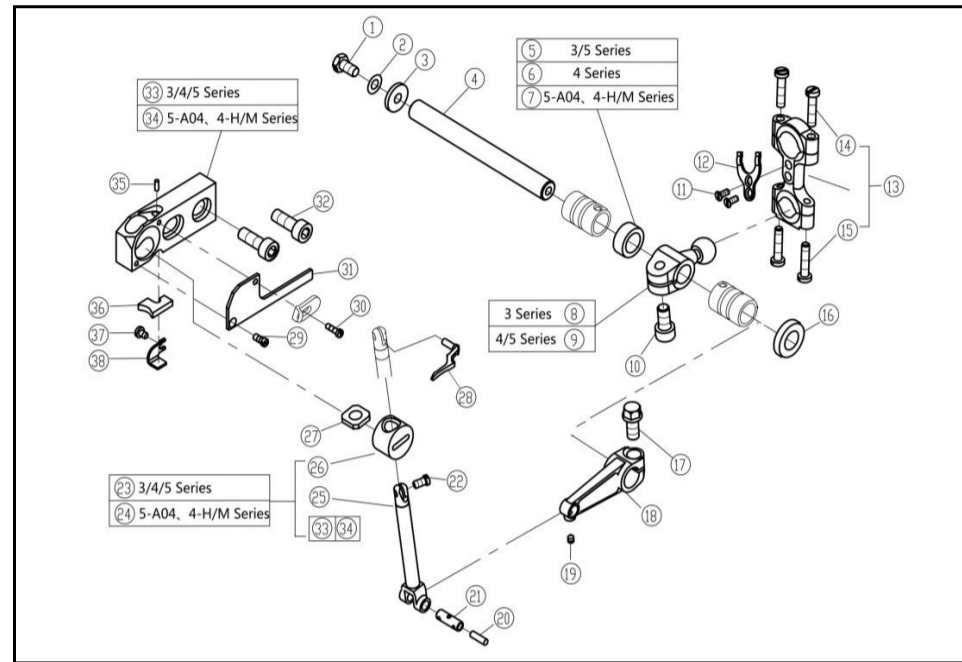
十、针杆部件(2)/Needle Drive Mechanism(2)

Table with 6 columns: Part No., Part No., Part Name, Description, and quantity for three thread types.



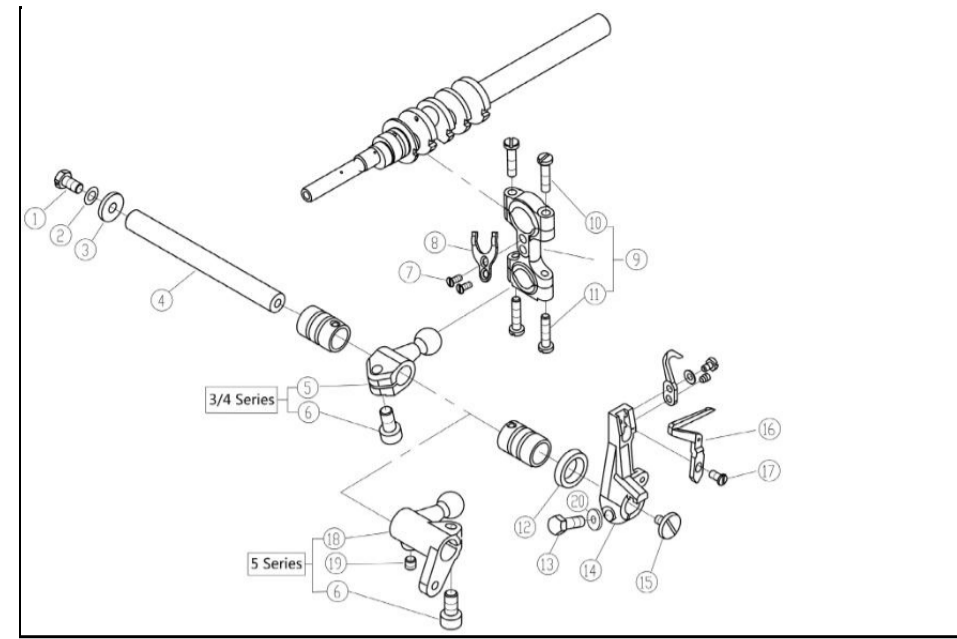
十一、针杆部件(3) Needle Drive Mechanism(3)

Table with 6 columns: Part No., Part No., Part Name, Description, and quantity for three thread types.



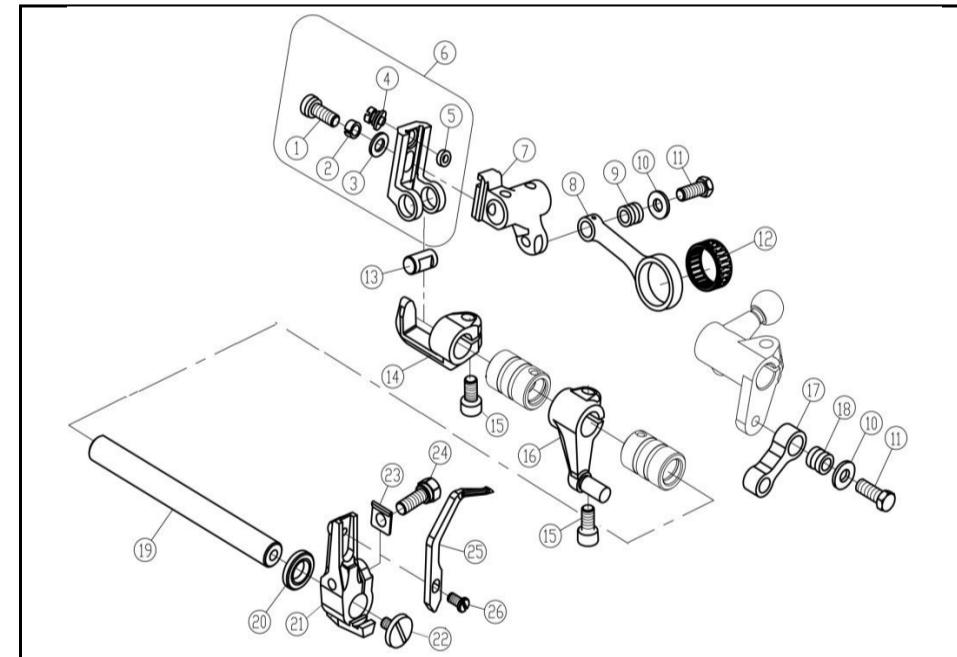
十二、上弯针部件/Upper Looper Drive Mechanism

Table with 6 columns: Part No., Part No., Part Name, Description, and quantity for three thread types.



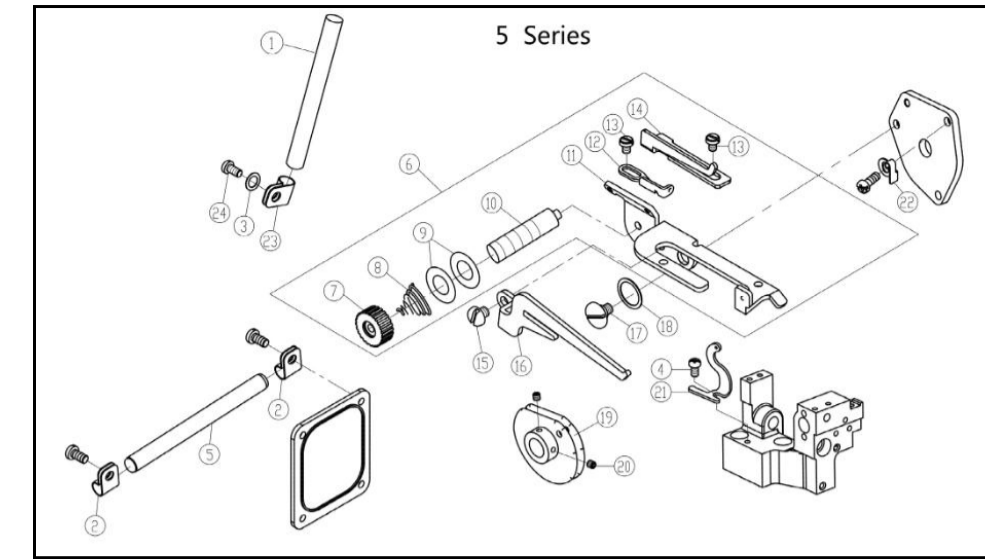
十三、下弯针部件/Lower Looper Drive Mechanism

Table with 6 columns: Part No., Part No., Part Name, Description, and quantity for three thread types.



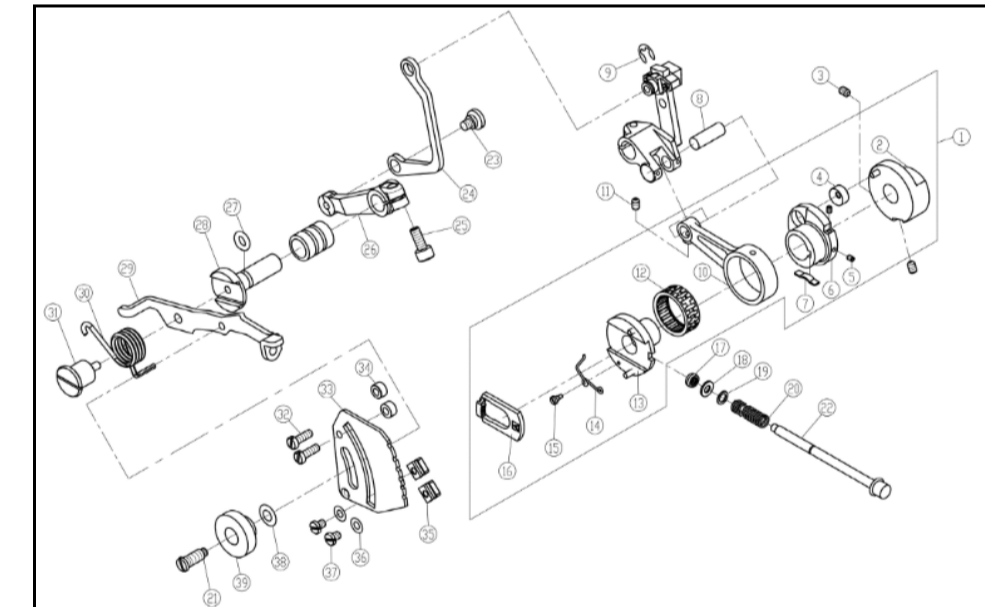
十四、二重环弯针机构(1)/Chainstitch Looper Drive Mechanism(1)

Table with 6 columns: Part No., Part No., Part Name, Description, and quantity for three thread types.



十五、二重环弯针机构(2)/Chainstitch Looper Drive Mechanism(2)

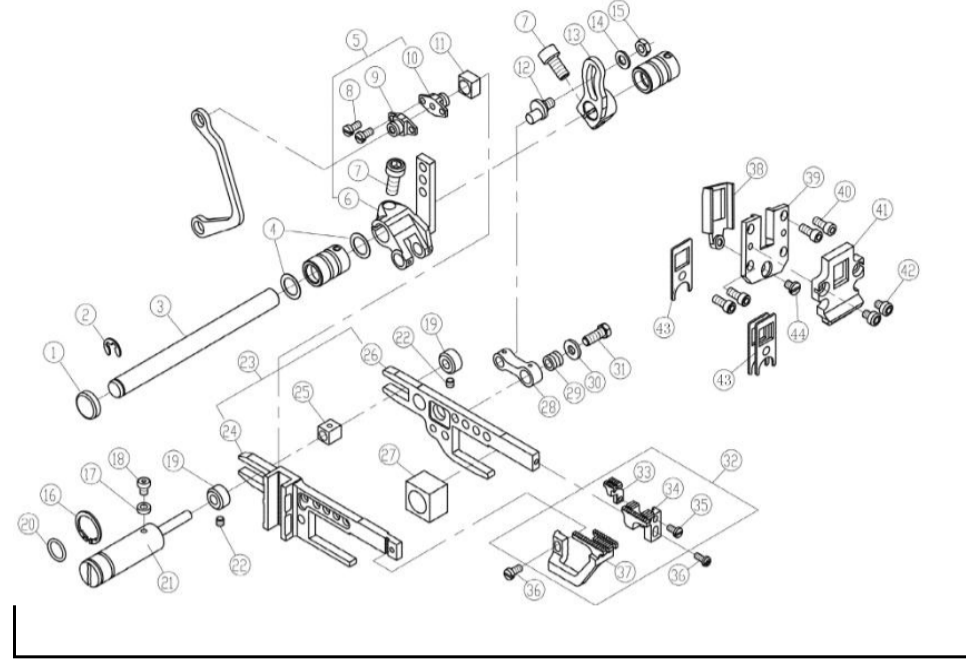
Table with 6 columns: Part No., Part No., Part Name, Description, and quantity for three thread types.



十六、差动调节机构/Feed Mechanism

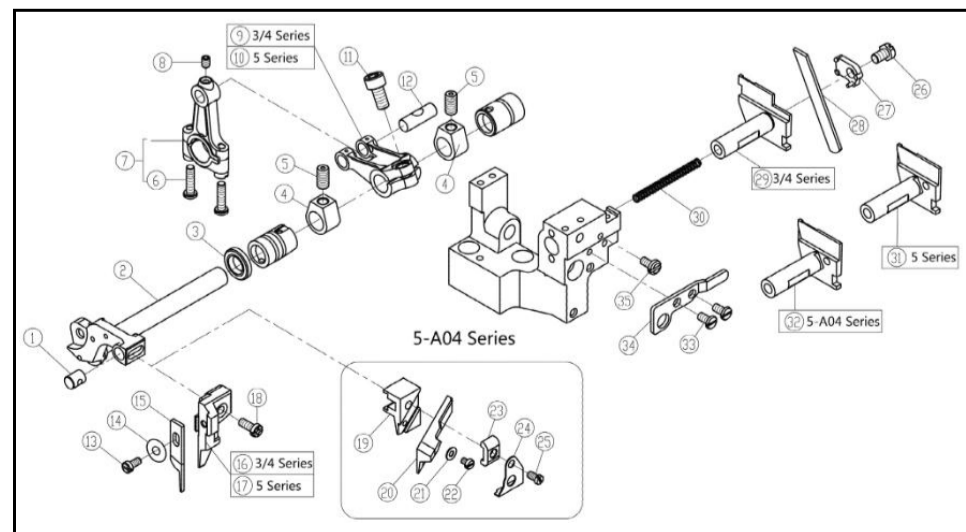
Table with 6 columns: Part No., Part No., Part Name, Description, and quantity for three thread types.

32	207511008	螺钉M4×12	Screw	2	2	2
33	20712033	调节板	Regulator Plate	1	1	1
34	20711007	垫圈	Spacer	2	2	2
35	207516002	螺母	Stopper	2	2	2
36	30228009	垫片	Washer	2	2	2
37	207511011	螺钉M4×5	Screw	2	2	2
38	20728003	碟形垫片	Spring Washer	1	1	1
39	2071600100	调节螺母	Nut	1	1	1



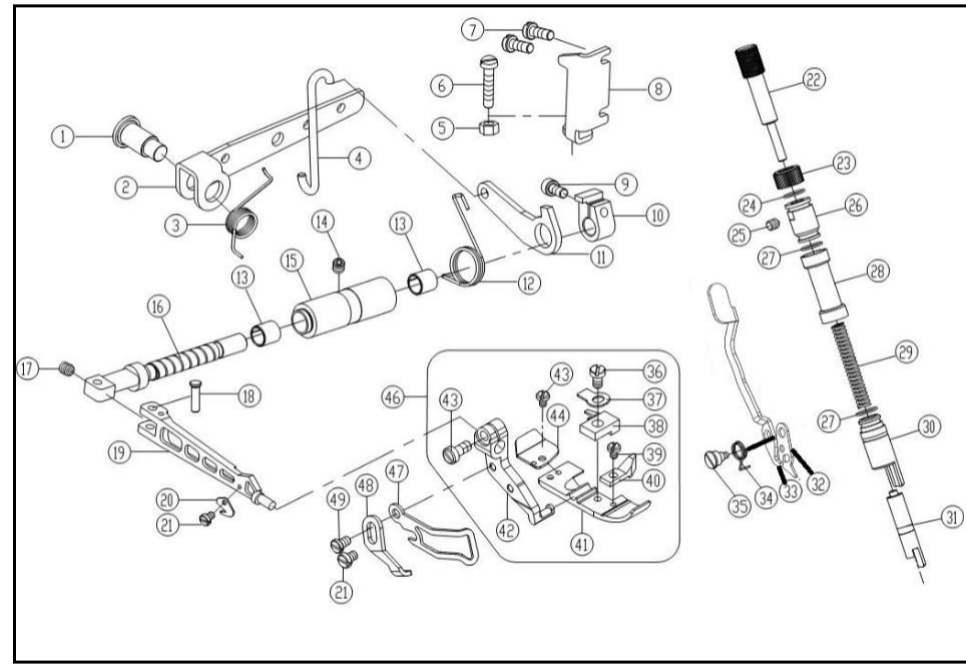
十七、送布机构/Feed Mechanism

序号 NO.	公司件号 Part NO.	名称 PartName	零件描述 Description	数量 (Number)		
				三线 three-thread	四线 four-thread	五线 five-thread
1	20628023	送布轴油封	Plug	1	1	1
2	H05009	开口挡圈7	Ring	1	1	1
3	20702064	送布轴	Shaft	1	1	1
4	20628011	送料轴垫圈	Washer	2	2	2
5	2070400900	送料曲柄组件	Crank	1	1	1
6	20704011	送料曲柄	Crank	1	1	1
7	S05018	螺钉M6×0.75×12	Screw	2	2	2
8	207511029	螺钉M3×6	Screw	2	2	2
9	20709008	曲柄	Crank	1	1	1
10	20709009	曲柄销	Crank Pin	1	1	1
11	20709034	滑块	Block	1	1	1
12	20710005	偏心销	Pin	1	1	1
13	20704011	送料曲柄	Crank	1	1	1
14	12928008	送布曲柄销垫圈	Washer	1	1	1
15	N01004	螺母M5	Nut	1	1	1
16	20729002	卡簧	Ring	1	1	1
17	20722006	O型圈	Gasket	1	1	1
18	207513001	螺钉	Screw	1	1	1
19	20708008	挡圈	Collar	2	2	2
20	001026	O型圈11.5×1.5	O Ring	1	1	1
21	20710006	偏心轴	Pin	1	1	1
22	S09103	螺钉M4×4	Screw	2	2	2
23	2070600100	牙架组件	Feed Bar Assy.	1	1	1
24	20706002	差动齿牙架	Differential Feed Bar	1	1	1
25	20709011	滑块	Block	1	1	1
26	20706001	主送齿牙架	Main Feed Bar	1	1	1
27	20709012	滑块	Block	1	1	1
28	20705008	连杆	Link	1	1	1
29	20703016	连杆套	Bushing	1	1	1
30	30228008	垫圈	Washer	1	1	1
31	207511044	螺钉M5×13	Screw	1	1	1
32	xxxxxxx	牙齿组件	Main Feed Dog Complete	1	1	1
33	xxxxxxx	辅助齿	Auxiliary	1	1	1
34	xxxxxxx	主送齿	Main Feed Dog	1	1	1
35	207511039	螺钉M3×6	Screw	1	1	1
36	S01029	螺钉M3.5×7.5	Screw	2	2	2
37	xxxxxxx	差动齿	Differential Feed Dog	1	1	1
38	20701049	牙架挡油板	Feed Bar Oil Seal	1	1	1
39	20701048	牙架挡油板(一体)	Feed Bar	1	1	1
40	207513006	螺钉M4×9	Screw	4	4	4
41	20701013	挡油板	Feed Bar Oil Seal	1	1	1
42	207513007	螺钉M4×5	Screw	2	2	2
43	20722007	牙架油封	Oil Seal	3	3	3
44	207517005	螺钉M4×10	Screw	1	1	1



十八、剪布机构/Knife Drive Mechanism

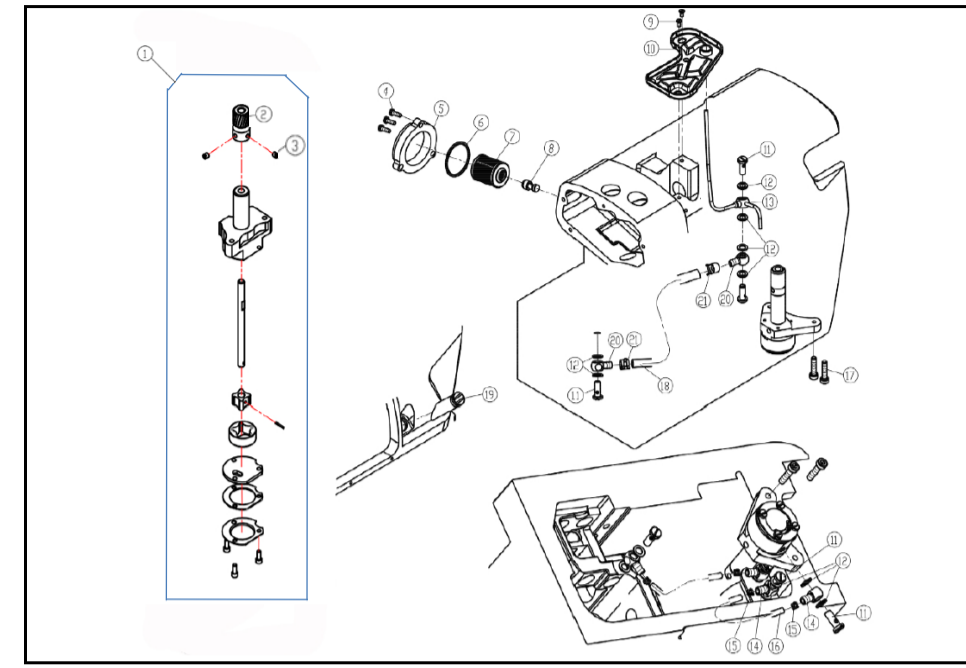
序号 NO.	公司件号 Part NO.	名称 PartName	零件描述 Description	数量 (Number)		
				三线 three-thread	四线 four-thread	五线 five-thread
1	20726005	导向销	Pin	1	1	1
2	20702009	上刀架轴	Upper Knife Lever	1	1	1
3	2072201700	油封	Oil Seal	1	1	1
4	30208001	挡块	Collar	2	2	2
5	S10003	螺钉M6×0.75×12	Screw	2	2	2
6	207511016	螺钉M4×16	Screw	2	2	2
7	400041	上刀选杆	Connection	1	1	1
8	207514007	螺钉M4×6	Screw	1	1	1
9	20704038	上刀曲柄	Crank	1	1	0
10	20704039	上刀曲柄	Crank	0	0	1
11	S05018	螺钉M6×0.75×12	Screw	1	1	1
12	20626003	曲柄销	Pin	1	1	1
13	S01029	螺钉M3.5×7.5	Screw	1	1	1
14	20128020	垫片	Washer	1	1	1
15	xxxxxxx	上刀	Upper Knife	1	1	1
16	20701107	上刀座	Upper Knife Clamp	1	1	0
17	20701036	上刀座	Upper Knife Clamp	0	0	1
18	S04019	螺钉M4	Screw	1	1	1
19	20701050	绞刀安装板	Angled Upper Knife Clamp	0	0	1
20	xxxxxxx	切刀	Angled Upper	0	0	1
21	W01011	垫圈	Washer	0	0	1
22	207511020	螺钉M3×4	Screw	0	0	1
23	20712053	上刀凹角切	Angled Upper Knife Gib	0	0	1
24	20712051	挡板	Waste Guard	0	0	1
25	S11025	螺钉M4×20	Screw	0	0	1
26	207512004	螺钉M5×8	Screw	1	1	1
27	20709013	压板	Lower Knife Clamp	1	1	1
28	xxxxxxx	下刀	Lower Knife	1	1	1
29	20701131	下刀架	Lower Knife Holder	1	1	0
30	20727006	弹簧	Spring	1	1	1
31	20701037	下刀架	Lower Knife Holder	0	0	1
32	20701052	上刀架	Upper Knife Clamp	0	0	1
33	207511019	螺钉M4×7.5	Screw	2	2	2
34	20712021	挡板	Lower Knife Holder Guard	1	1	1
35	S01010	螺钉M4×7.5	Screw	1	1	1



十九、抬压脚机构/Presser Foot Mechanism

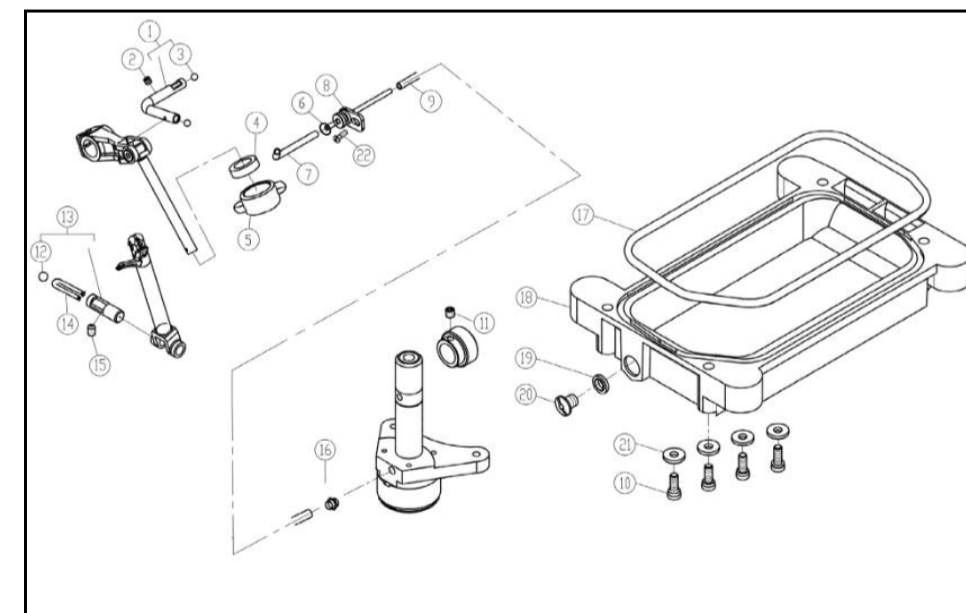
序号 NO.	公司件号 Part NO.	名称 PartName	零件描述 Description	数量 (Number)		
				三线 three-thread	四线 four-thread	五线 five-thread
1	207520008	抬压脚螺钉M10	Screw	1	1	1
2	20712023	抬压脚杆	Lever	1	1	1
3	20727007	扭簧	Spring	1	1	1
4	20712025	连杆	Link	1	1	1
5	N01004	螺母M5	Nut	1	1	1
6	207511031	螺钉M5×24	Screw	1	1	1
7	207511012	螺钉M4×10	Screw	2	2	2
8	20712024	角板	Stopper	1	1	1
9	S05017	螺钉M6×0.75×13.5	Screw	1	1	1
10	20608004	抬压脚复位圈	Collar	1	1	1
11	20712007	抬压脚小杆	Lever	1	1	1
12	21127009	小杆扭簧	Spring	1	1	1
13	20703031	滑动轴承	Bearing	2	2	2
14	S10009	螺钉M6×8	Screw	1	1	1
15	20703030	压脚轴套筒	Bushing	1	1	1
16	20702010	压脚轴	Shaft	1	1	1
17	S10011	螺钉M4×0.5×4	Screw	1	1	1
18	20626016	压脚轴连杆销	Pin	1	1	1
19	21201001	压脚臂	Presser Arm	1	1	1
20	30119020	割线刀	Thread Cutter	1	1	1
21	207511020	螺钉3×4	Screw	2	2	2
22	20702019	调节螺母	Adjusting Screw	1	1	1
23	207516005	调节螺母	Nut	1	1	1
24	001039	O型圈φ 12.5xφ 1.8	O Ring	1	1	1
25	207514007	螺钉	Screw	1	1	1
26	211516001	螺纹套	Thread Sleeve	1	1	1
27	001008	O型圈φ 11.2xφ 1.8	O Ring	2	2	2
28	21211003	压杆防油套	Oil Proof Sleeve	1	1	1
29	21227003	压杆套	Spring	1	1	1
30	21103018	压杆套	Struth Sleeve	1	1	1
31	20407210	弹簧片	Spring	0	1	0
32	21212021	限位板	Plate	1	1	1
33	21112025	压杆扳手	Lever	1	1	1
34	20627010	压杆扳手扭簧	Spring	1	1	1
35	212520003	螺钉	Screw	1	1	1
36	207511036	螺钉	Screw	0	1	0
37	20407210	弹簧片	Spring	0	1	0
38	20616004	压脚爪	Paw Pressur	0	1	0

39	206510004	螺钉	Screw	0	1	0
40	20701023	辅助压脚	Auxiliary Presser Foot	0	1	0
41	20616022	压脚底板	Baseboard	0	1	0
42	20712023	压脚架	Rack	0	1	0
43	207511030	螺钉	Screw	0	1	0



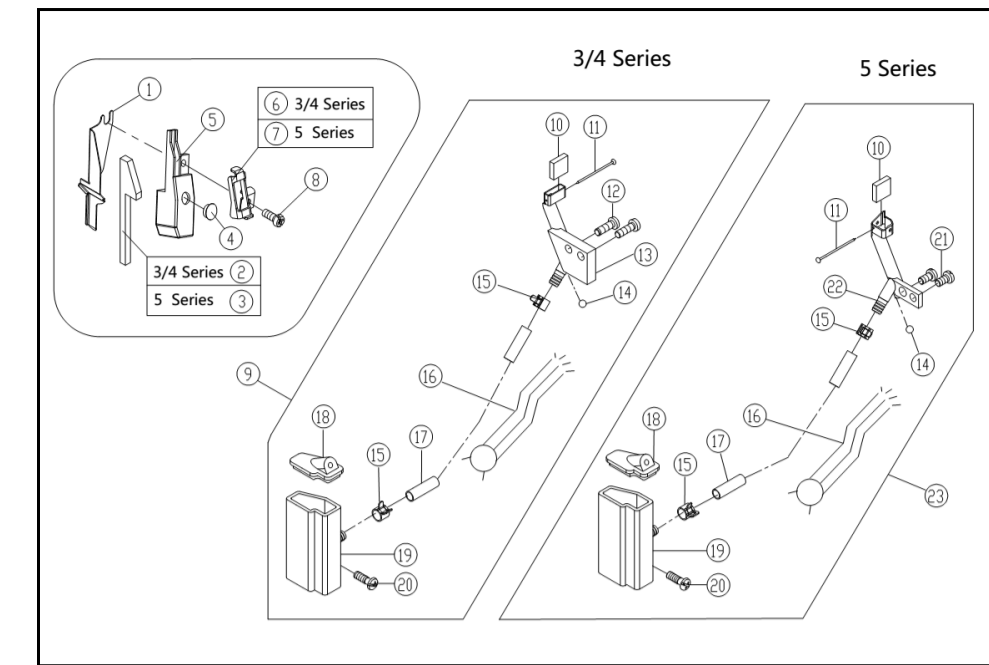
二十、供油机构(1)/Lubrication Mechanism(1)

序号 NO.	公司件号 Part NO.	名称 PartName	零件描述 Description	数量 (Number)		
				三线 three-thread	四线 four-thread	五线 five-thread
1	2072000400	油泵组件	Pump	1	1	1
2	20725002	蜗轮	Worm Wheel	1	1	1
3	207514006	螺钉M5×5	Screw	2	2	2
4	207511008	螺钉M4×12	Screw	3	3	3
5	300140	滤油器盖	Oil clearer	1	1	1
6	001010	密封圈	Seal ring	1	1	1
7	20736004	滤油器	Filter Element	1	1	1
8	20736001	滤油器接头	Oil cliemter joint	1	1	1
9	207511007	螺钉M4×7.5	Screw	2	2	2
10	21112028	接油盘	Oil guard	1	1	1
11	206530009	过油螺钉	Joint Screw	5	5	5
12	20122033	垫片	Washer	10	10	10
13	21221001	上喷油器	Upper screem	1	1	1
14	20736007	油管接头	Joint	2	2	2
15	20729005	油管卡箍	Clamp	2	2	2
16	12921003	油管Φ5×Φ8	Tube	0.1m	0.1m	0.1m
17	S11025	螺钉M4×16	Screw	2	2	2
18	30121022	油管Φ4×Φ6	Tube	0.15m	0.15m	0.15m
19	21111095	油标	Oil sight	1	1	1
20	20136007	油管接头	Joint	2	2	2
21	20429001	油管卡箍	Clamp	2	2	2



二十一、供油机构(2)/Lubrication Mechanism(2)

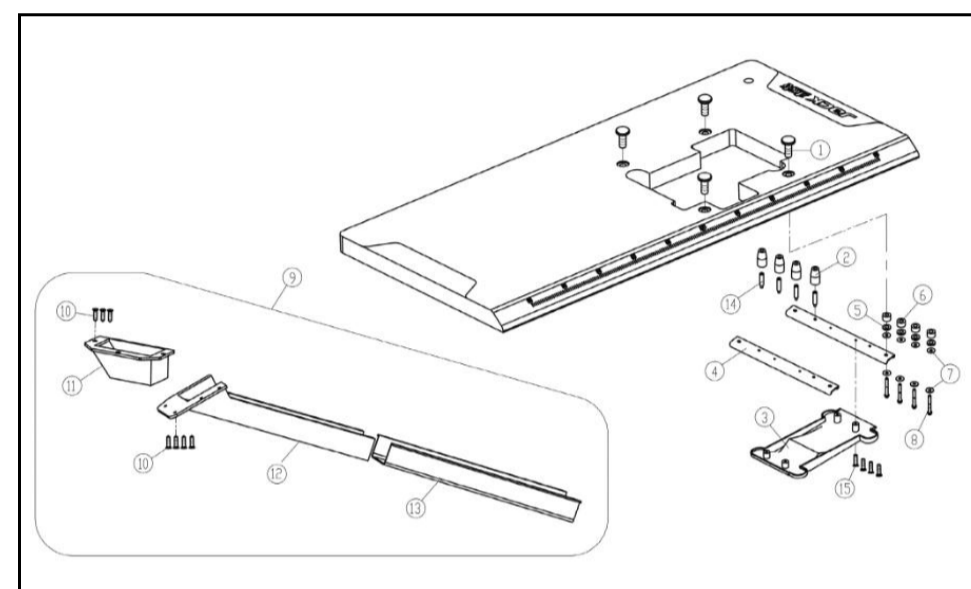
序号 NO.	公司件号 Part NO.	名称 PartName	零件描述 Description	数量 (Number)		
				三线 three-thread	四线 four-thread	五线 five-thread
1	212210020	过油管	Pipe	1	1	1
2	S09103	螺钉M4×4	Screw	1	1	1
3	20709016	橡胶塞	Rubber plug	2	2	2
4	21123001	毡垫	Felt	1	1	1
5	21211001	吸油嘴组件	Joint	1	1	1
6	20622010	差动轴O型圈	O Ring	1	1	1
7	20721011	油管Φ2×Φ4	Tube	1	1	1
8	2110101500	回油组件	Tube	1	1	1
9	20721012	油管Φ2×Φ4	Tube	1	1	1
10	207513009	螺钉M5×12	Screw	4	4	4
11	207511042	螺钉M5×5	Screw	1	1	1
12	20709015	滚珠	Rubber plug	1	1	1
13	20626007	上弯杆过油器	Pipe Assy.	1	1	1
14	20123021	IK795油线	Oil Wick	1	1	1
15	S09103	螺钉M4×4	Screw	1	1	1
16	20521009	铜油嘴	Joint	2	2	2
17	20722008	油盘垫	Gasket	1	1	1
18	20701058	油盘	Oil Reservoir	1	1	1
19	20528014	油盘放油垫圈	Washer	1	1	1
20	207513002	放油螺钉	Screw	1	1	1
21	20628018	垫片	Washer	4	4	4
22	207511019	螺钉	Screw	1	1	1



二十二、HR装置机构部件/H.R. Device

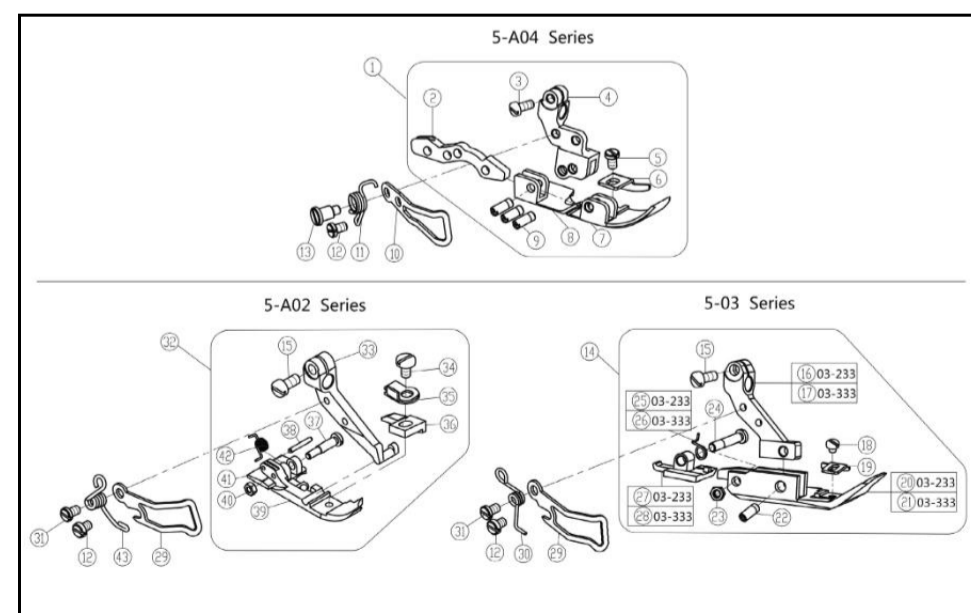
序号 NO.	公司件号 Part NO.	名称 PartName	零件描述 Description	数量 (Number)		
				三线 three-thread	四线 four-thread	五线 five-thread
1	21212011	挡油板	Cover	1	1	1
2	21123002	毡垫	Felt	1	1	0
3	21123003	毡垫	Felt	0	0	1
5	21211002	上硅油盒	Silicone Oil Reservoir	1	1	1
6	21212005	过线架	Thread Guide	1	1	0
7	21212006	过线架	Thread Guide	0	0	1
8	207511012	螺钉M4×10	Screw	1	1	1
9	2071101600	下硅油盒组件	Silicone Oil Reservoir	1	1	0
10	20723009	油毡	Oil Felt	1	1	1
11	/	别针	Pin	1	1	1
12	207511008	螺钉M4×10	Screw	2	2	0
13	20701027</					

18	21131013	固定器	Thread Guide joint	1	1	1
19	S04050	螺钉M5X15	Screw	2	2	2
20	21131014	套	Bushing	1	1	1
21	N01030	套螺母	Nut	2	2	2
22	21131015	线圈定位套	Spool Cushion	3	4	5
23	20131006	线托棒	Spool pin	3	4	5
24	20131010	线圈垫	Spool tray Cushion	3	4	5
25	21131016	线圈	Screw tray	3	4	5
26	21131017	托线架(长)	Thread spool tray bracket	1	0	1
27	201S16004	螺母	Nut	3	4	5
28	20128018	垫圈	Washer	3	4	5
29	21131018	下管	Lower thread cloumm	1	1	1
30	206S20023	螺母	Nut	1	1	1
31	20128025	下管垫圈	Lower Washer	2	2	2
32	21131019	托线架(短)	Thread spool tray bracket	0	2	1
33	20122049	防震垫	Plate dog link washer	0	2	1
34	20631020	过线棒	Thread Guide	2	2	2
35	2113100300	线架组件	Thread stand component	1	0	0
35	2113100400	线架组件	Thread stand component	0	1	0
35	2113100500	线架组件	Thread stand component	0	0	1
35	2113100600	线架组件	Thread stand component	0	0	1 (六线)



二十四、托盘部件/Part For Semi-Submerged Installation

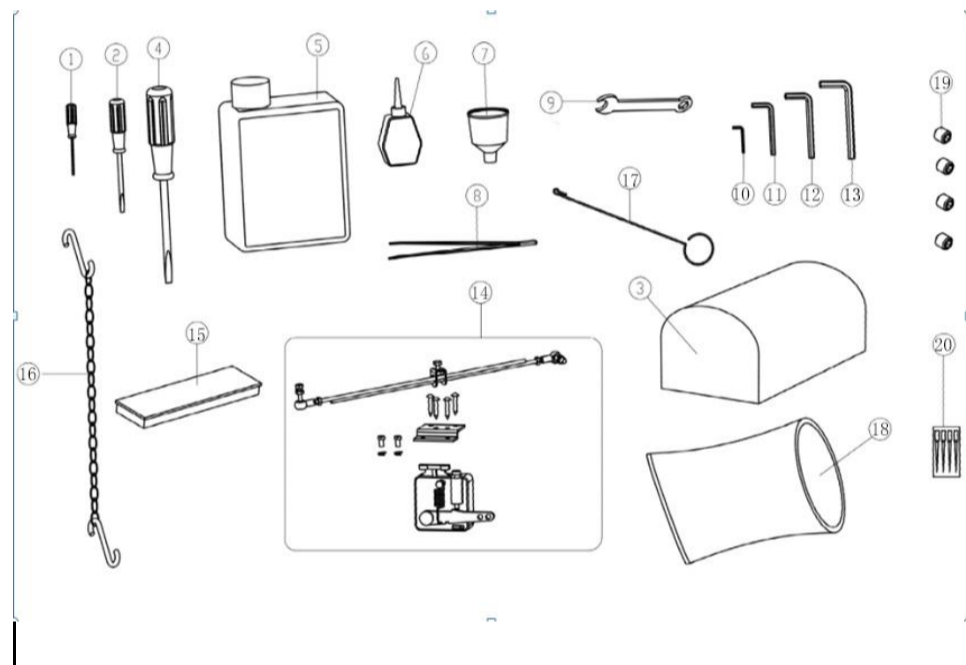
序号 NO.	公司件号 Part NO.	名称 PartName	零件描述 Description	数量 (Number)		
				三线 three-thread	四线 four-thread	五线 five-thread
1	20131028	托盘固定螺母	Nut	4	4	4
2	20722018	托盘防震连接垫	Cushion Rubber	4	4	4
3	20711058	托架	oil pan	1	1	1
4	20712064	托架	Rest Board	2	2	2
5	30122031	减震垫圈	Spring Washer	4	4	4
6	20131030	防震套	Washer	4	4	4
7	20131029	大垫圈	Spacer	8	8	8
8	20131027	托盘内六角螺钉	Screw	4	4	4
9	2123100400	落料斗组件	Waste Chute Assy.	1	1	1
10	20131034	排料槽座螺钉	Screw	7	7	7
11	21231005	排料槽	Screw	1	1	1
12	21231006	排料槽 I	Waste Chute	1	1	1
13	21231007	排料槽 II	Waste Chute	1	1	1
14	207S1046	螺钉	Screw	4	4	4
15	207S1019	螺钉M4×7.5	Screw	4	4	4



二十五、专用零件/Specific Parts

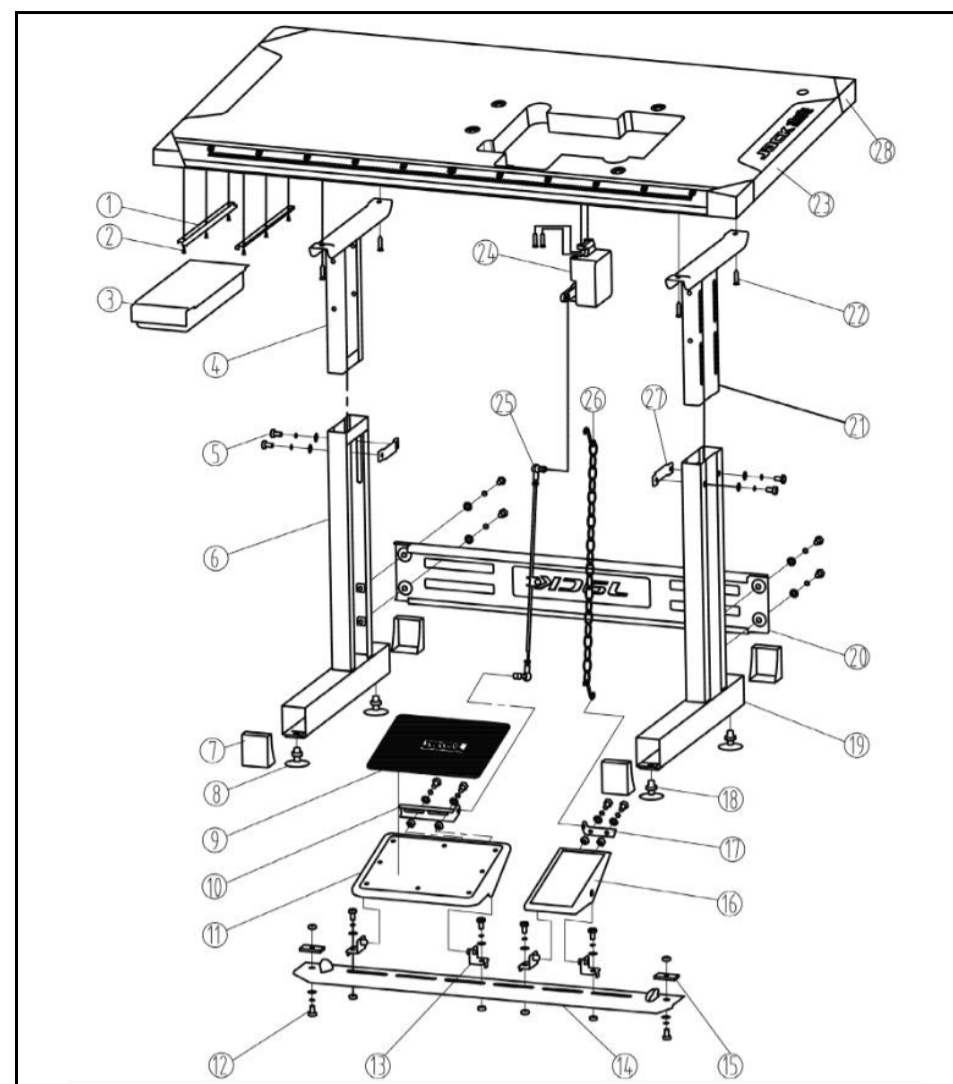
序号 NO.	公司件号 Part NO.	名称 PartName	零件描述 Description	数量 (Number)		
				三线 three-thread	四线 four-thread	五线 five-thread
1	206160400	压脚组件	Presser Foot Assy.	0	0	1
2	20616042	压脚连接件	Connection	0	0	1
3	S01029	螺钉M3.5×7.5	Screw	0	0	1
4	20616041	压脚架	Pin	0	0	1
5	207S11009	螺钉M3×4.5	Screw	0	0	1
6	20714051	护料压板	Fabric Guard	0	0	1

7	20701054	压脚底板	Baseboard	0	0	1
8	20701055	小压脚底板	Baseboard	0	0	1
9	208S20002	销	Pin	0	0	3
10	20712052	压脚挡片	Finger Guard	0	0	1
11	20719053	压脚弹簧	Spring	0	0	1
12	207S11020	螺钉	Screw	0	0	1
13	207S20010	轴位螺钉	Screw	0	0	1
14	xxxxxxx	压脚组件	Presser Foot Assy.	0	0	1
15	207S11038	螺钉	Screw	0	0	1
16	20716063	压脚架	Rack	0	0	1
17	20716100	压脚架	Rack	0	0	1
18	207S11034	螺钉	Screw	0	0	1
19	20716064	辅助压脚	Fabric Guard	0	0	1
20	20716061	压脚底板	Baseboard	0	0	1
21	20716065	压脚底板	Baseboard	0	0	1
22	20720022	销	Pin	0	0	1
23	207S16011	螺母	Nut	0	0	1
24	207S20021	轴位螺钉	Screw	0	0	1
25	20727011	压脚弹簧	Spring	0	0	1
26	20727012	压脚弹簧	Spring	0	0	1
27	20716062	小压脚	Baseboard	0	0	1
28	20716066	小压脚	Baseboard	0	0	1
29	20712026	压脚护手	Finger Guard	0	0	1
30	20715057	压脚弹簧	Spring	0	0	1
31	207S11009	螺钉	Screw	0	0	1
32	20716050	压脚组件	Presser Foot Assy.	0	0	1
33	20716082	压脚架	Screw	0	0	1
34	207S16051	螺钉	Screw	0	0	1
35	20727015	压脚板簧	Plate Spring	0	0	1
36	20716081	压脚爪	Presser Foot	0	0	1
37	207S30005	轴位螺钉	Pin	0	0	1
38	P01025	销	Pin	0	0	1
39	20716079	压脚底板	Baseboard	0	0	1
40	207S16012	螺母	Nut	0	0	1
41	20716080	小压脚底板	Baseboard	0	0	1
42	20727014	弹簧	Spring	0	0	1
43	20727050	压脚弹簧	Spring	0	0	1



二十六、随机附件部分 Accessories Assemblies

序号 NO.	公司件号 Part NO.	名称 PartName	零件描述 Description	数量 (Number)		
				三线 three-thread	四线 four-thread	五线 five-thread
1	20131044	直柄内六角螺丝刀 (1.5)	Hexagonal wrench/1.5mm	1	1	1
2	10131004	螺丝刀 (小)	Screwdriver (S)	1	1	1
3	21131020	机头罩	Machine head cover	1	1	1
4	20731047	螺丝刀 (大)	screw driver (L)	1	1	1
5	20731048	油壶	Oil container	1	1	1
6	20131038	小油壶 (尖嘴)	Oil container	2	2	2
7	20131039	漏斗	Funish	1	1	1
8	20131051	镊子 (JACK)	Tweezers	1	1	1
9	20131043	JK795-1908扳手 (8mm)	Wrench/8mm	1	1	1
10	20131046	内六角扳手 (2mm)	Hexagonal wrench/2mm	1	1	1
11	30131012	内六角扳手 (3mm)	Hexagonal wrench/3mm	1	1	1
12	20131047	内六角扳手 (4mm)	Hexagonal wrench/4mm	1	1	1
13	20131056	内六角扳手 (5mm)	Hexagonal wrench/5mm	1	1	1
14	21230001	控制器	Controller	1	1	1
15	20131055	附件盒	Attachment box	1	1	1
16	20131054	JK795-1919脚踏板链	Chain	1	1	1
17	20131052	线勾	Needle threader	0	0	1
18	20131062	机头塑料袋	Plastic machine head bag	1	1	1
19	S10005	螺钉	Screw	4	4	4
20	见标准零件表	机针	Needle	4	4	4



二十七、机架部件/machine stand table assy

序号 NO.	公司件号 Part NO.	名称 PartName	零件描述 Description	数量 (Number)		
				三线 three-thread	四线 four-thread	五线 five-thread
1	13832113	零件导轨	Drawer slider	2	2	2
2	S18002	螺钉	Screw	6	6	6
3	13832114	零件盒	Plastic drawer	1	1	1
4	1383211500	机架左节左	lipper stand (left)	1	1	1
5	S15001	M8*11螺栓垫圈组合件	Bolt washer assembly M8*11	12	12	12
6	138321200	机架左节右	Lower stand (left)	1	1	1
7	13832104	支座护罩	Rubber cover	4	4	4
8	1012016	支座	Stand height adjusting bas	4	4	4
9	13832105	脚踏板垫 (大)	Large pedal pad cushion	1	1	1
10	13832110	踏板连接件 (大)	Large pedal bracket	1	1	1
11	13832106	脚踏板 (大)	Large pedal pad	1	1	1
12	L02075	M6*11螺栓垫圈组合件	Bolt washer assembly M6*11	2	2	2
13	1383210700	踏板固定件	Pedal bracket	4	4	4
14	13832108	踏板安装板	Lower bar	1	1	1
15	13832116	踏板安装板固定板	Bolt plate	2	2	2
16	21232001	脚踏板 (小)	Small pedal	1	1	1
17	20112126	踏板连接件 (小)	Small pedal bracket	1	1	1
18	N01010	螺母	Nut M8	4	4	4
19	1383210300	机架下节右	Lower stand(right)	1	1	1
20	13832111	机架连接板	Front bar	1	1	1
21	1383210100	机架左节右	Upper stand (right)	1	1	1
22	S18001	螺钉	Screw	6	6	6
23	xxxxxxx	台板	Table	1	1	1
24	xxxxxxx	变速器	Transmission	1	1	1
25	2011111300	拉杆组件	Motor connecting rod	1	1	1
26	2013105400	脚踏板链组件	Pedal chain components	1	1	1
27	13832102	机架固定板	Bolt plate	2	2	2
28	13832129	台板护套	Table cover	4	4	4

E4标准度量零件表

型号	间距	针板	送布牙组件	压脚组件	上弯针	下弯针	连续弯针	针夹	机针	
										NEEDLE PLATE
E4-3-02/233	—	4	20715005	2071600100	2071600500	20717004	20717006	—	20734001	DC×2789
E4-3-02R2/223	—	2	20715019	20716007	2071600800	20717004	20717006	—	20734001	DC×2789
E4-3-02/233	—	4	20715019	2071600900	2071601700	20717004	20717006	—	20734001	DC×2789
E4-3-12/233	—	4.5	20715009	20716006	2071600600	20717004	20717006	—	20734001	DC×2789
E4-4-03/323	2	4	20715020	2071602200	2071601800	20717004	20717005	—	20734002	DC×2789
E4-4-03/333	2	4	20715002	2071600100	2071600200	20717004	20717005	—	20734002	DC×2789

E4标准度量零件表

型号	间距	上刀	下刀	弯针护针		机针护针		
				前	后	前	后	
E4-3-02/233	—	4	20619002	20619003	—	—	20717113	20717002
E4-3-02R2/223	—	2	20619002	20619002	—	—	20717113	20717002
E4-3-02/233	—	4	20619002	20619002	—	—	20717113	20717002
E4-3-12/233	—	4.5	20619002	20619002	—	—	20717113	20717002
E4-4-03/323	2	4	20619002	20619002	—	—	20717113	20717002
E4-4-03/333	2	4	20619002	20619003	—	—	20717113	20717002

E4标准度量零件表

型号	间距	针板	送布牙组件	压脚组件	上弯针	下弯针	连续弯针	针夹	机针	
										NEEDLE PLATE
E4-4-03/333/0/W	2	4	20715002	2071600100	2071600200	20717050	20700248	—	20734002	DC×2789
E4-5-03/233	5	5	20715016	2071601700	2071601900	20717004	20717006	20712047	20734004	DC×27814
E4-5-03/333	3	4	20715008	2071600400	2071600600	20717004	20717006	20712047	20734003	DC×27814
E4-5-A04/435	5	6	20715050	2071605200	2061604000	20717050	20717006	20717051	20719056	DC×27819
E4-5-02A/223	3	4	20715051	2071605400	20716050	20717004	20717006	20712047	20734003	DC×27811

E4标准度量零件表

型号	间距	上刀	下刀	弯针护针		机针护针		
				前	后	前	后	
E4-4-03/333/0/W	2	4	20619002	20619002	—	—	20717001	20717002
E4-5-03/233	5	5	20719002	20619003	20717008	20717002	20712045	20701032
E4-5-03/333	3	4	20619002	20619003	20717008	20717002	20712045	20701032
E4-5-A04/435	5	6	20719050	20701053	20717008	20717002	20712045	20701032
E4-5-02A/223	3	4	20719001	20619003	20717008	20717002	20712045	20701032

杰克缝纫机股份有限公司

杰克缝纫机