



ISO9001 认证



国家高新技术企业



清洁生产

**JK-5559W**

**User Guide**






**产品使用说明书**

**杰克缝纫机**  
JACK SEWING MACHINE

| [HTTP://WWW.CHINAJACK.COM](http://www.chinajack.com) |

二十二、针板及附件一览表

List of throat & its accessories

名称 Name		针板 Gauge plate	针板挡板 Throat plate	送料牙 Feed dog	压脚 Presser foot asm.	针板挡屑罩 Waste material guard
件号 Part No.						
规格 Specifications						
1	5/64" 2.0mm.	GM235/2	GR1766	GM217	GM216/5	GR1767/2
2	3/32" 2.4mm.	GM231/2	GR1766	GM217	GM216/5	GR1767/2
3	1/8" 3.2mm.	GM218/2	GR1766	GM217	GM216/5	GR1767/2
4	5/32" 4.0mm.	GM233/2	GR1766	GM217	GM239/5	GR1767/2
5	3/16" 4.8mm.	GM224/2	GR1766	GM217	GM239/5	GR1767/2
6	1/4" 6.4mm.	GM222/2	GR1766	GM221	GM239/5	GR1801/2
7	5/16" 7.9mm.	GM237/2	GR1766	GM221	GM239/5	GR1801/2
8	3/8" 9.5mm.	GM229/2	GR1766	GM221	GM239/5	GR1801/2
9	1/4" *6.4mm.	* GM227/2	* GR1809	* GM226	GM239/5	GR1801/2

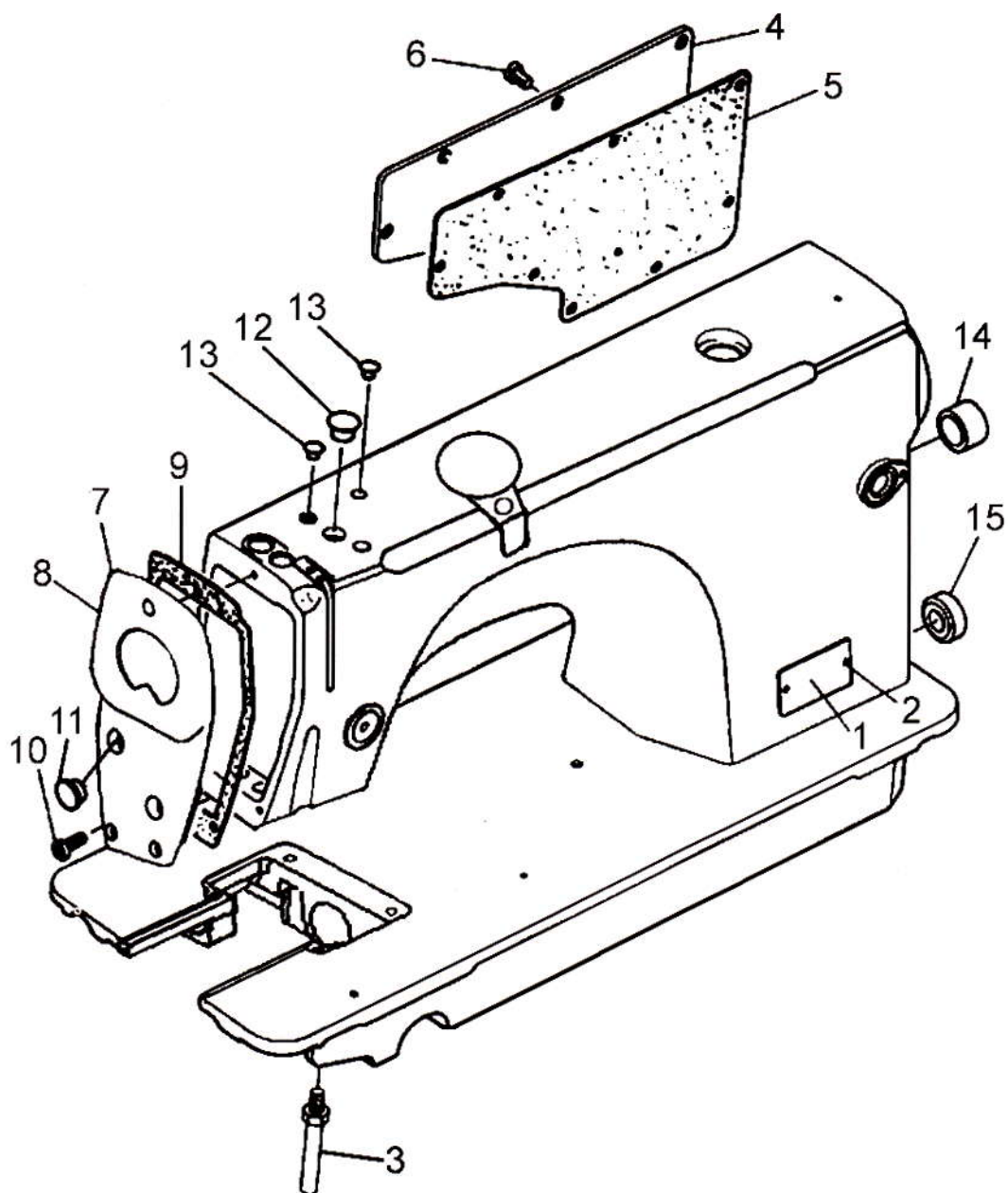
打 \* 号为特殊附件

如需上述附件, 可向本厂订购

Parts marked with asterisk are special order ones.

Clients demands for abovementioned parts can be met by placing orders with our mfg. Works.

# 1. 机壳分组件 Arm Bed Components



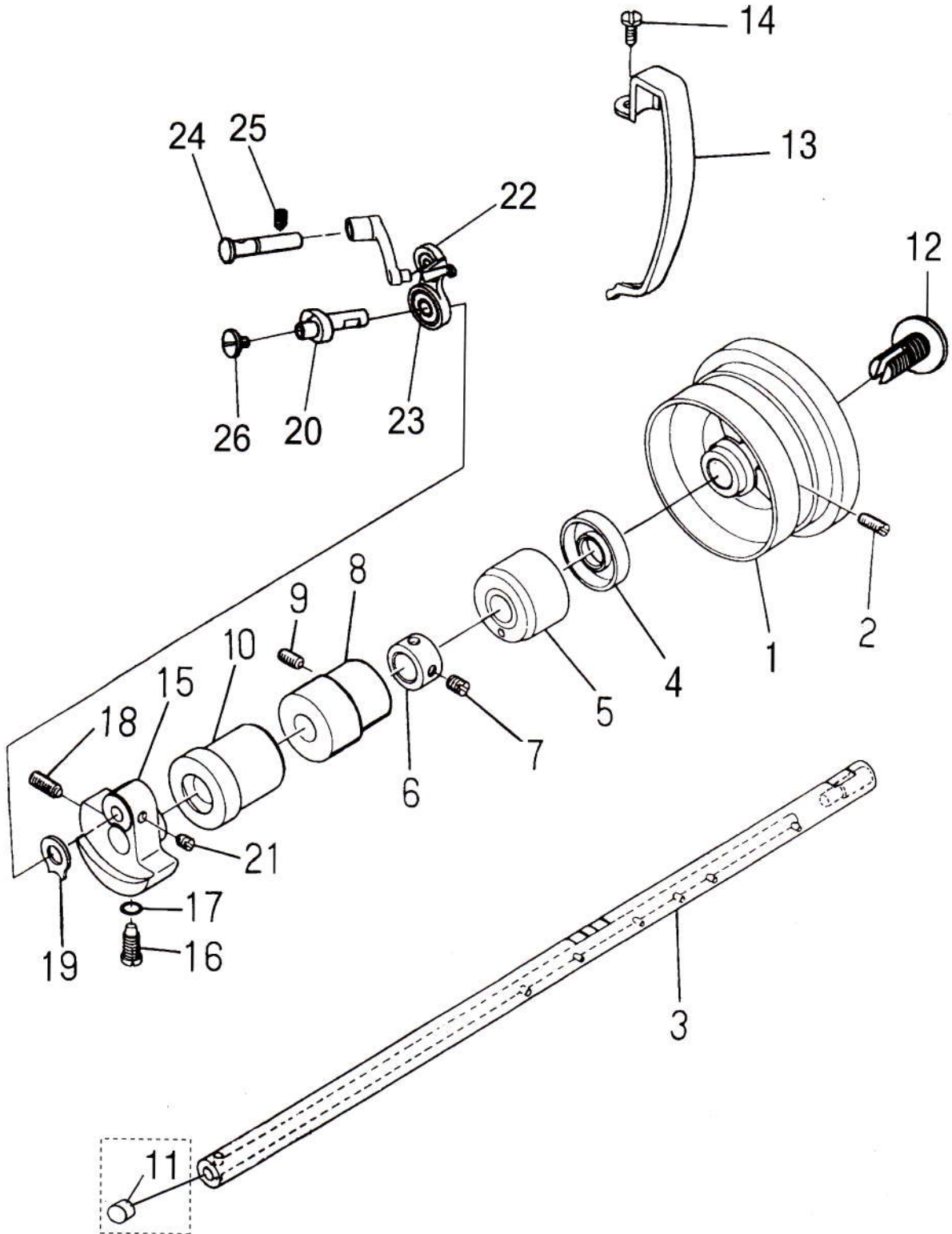
## 中厚料用 For Medium Heavy Materials

### 1. 机壳分组件 Arm Bed Components

序号 Ref.No.	件号 Part No.	名称	Description	数量 Amt.
1	10137001	型号牌	Model plate	1
2	R03001	型号牌铆钉	Model plate rivet	2
3	101S12001	底板支柱	Bed screw stud	4
4	10112001	后窗板	Side plate	1
5	10122001	后窗板垫	Gasket	1
6	101S11001	螺钉 SM3/16"×28 L=9	ScrewSM3/16"×28 L=9	8
7	12801001	面板	Face plate arm	1
8	10137002	商标牌	Plate with trademark	1
9	10122002	面板垫	Gasket	1
10	101S11021	螺钉 SM3/16"×28 L=9	ScrewSM3/16"×28 L=9	3
11	10122003	面板调节螺孔塞	Rubber plug	2
12	10122004	针杆曲柄螺孔塞	Rubber plug	1
13	10122005	挑线连杆销螺孔塞	Rubber plug	2
14	10122006	送料调节器孔塞	Rubber plug	1
15	10122007	下轴盲孔塞	Rubber plug	1



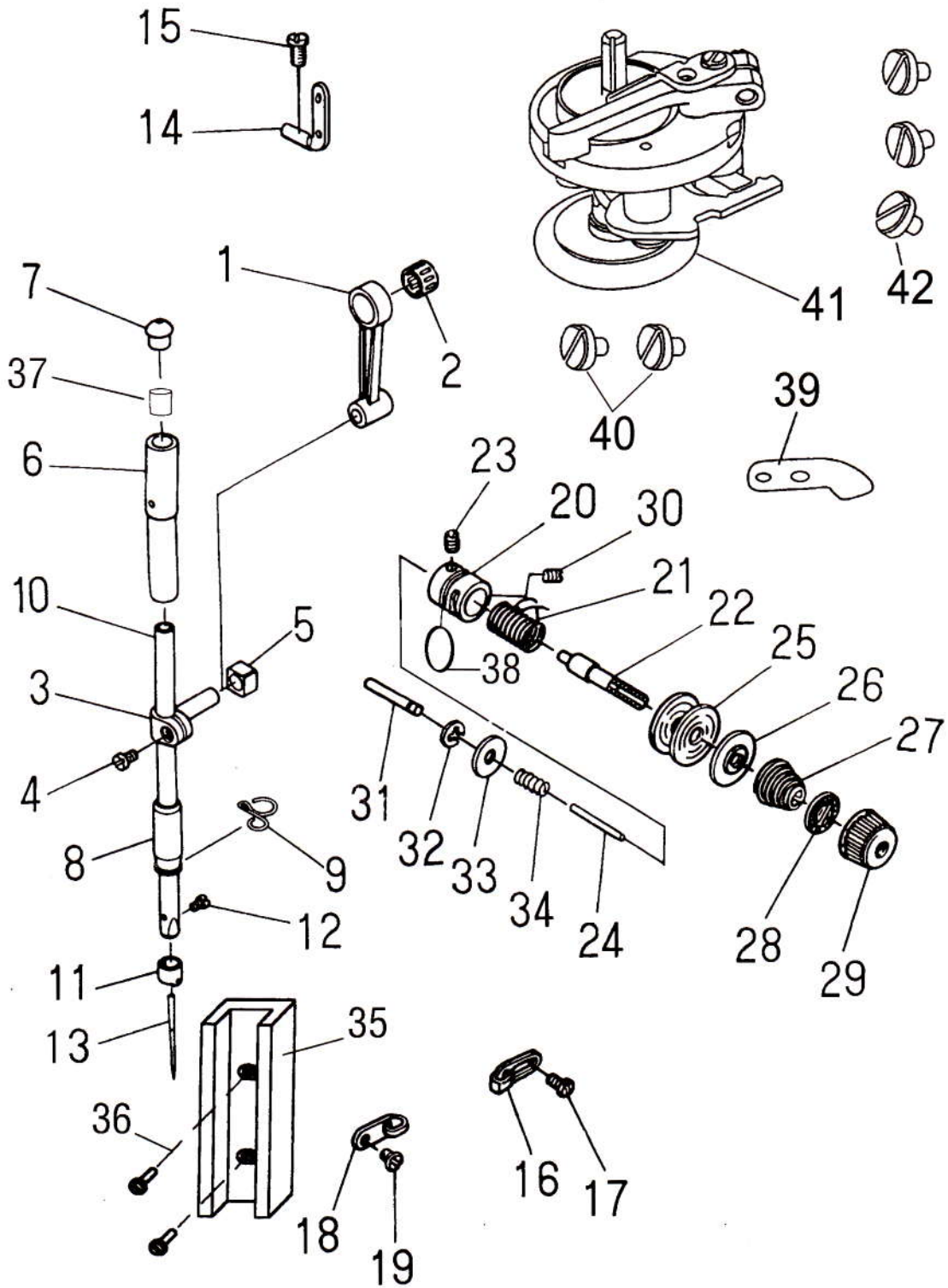
## 2. 上轴、挑线分组件 Main Shaft, Take-up Components



## 2. 上轴、挑线分组件 Main Shaft、Take-up Components

序号 Ref. No.	件号 Part No.	名称	Description	数量 Amt.
1	10135001	上轮	Hand wheel	1
2	101S15001	螺钉 SM15/64"×28 L=15	ScrewSM15/64"×28 L=15	2
3	12203001	上轴	Main shaft	1
4	10422003	上轴油封	Main shaft	1
5	10103001	上轴后轴套	Main shaft bushing, rear	1
6	10108001	上轴挡圈	Thrust collar asm.	1
7	101S15007	螺钉 SM1/4"×40 L=6	ScrewSM1/4"×40 L=6	2
8	12203002	上轴中轴套	Brshing, intermediate	1
9	101S15006	螺钉 SM15/64"×28 L=7	ScrewSM15/64"×28 L=7	1
10	10103004	上轴前轴套	Main shaft bushing, front	1
11	10122012	上轴孔塞	Rubber plug	1
12	101S30001	螺钉 SM5/16"×24 L=14	ScrewSM5/16"×24 L=14	1
13	10112004	挑线杆护罩	Thread takeup lever cover	1
14	101S11004	螺钉 SM3/16"×28 L=6	ScrewSM3/16"×28 L=6	1
15	12804001	针杆曲柄	Counterweight	1
16	101S11003	螺钉 SM9/32"×28 L=16	ScrewSM9/32"×28 L=16	1
17	10122010	定位螺钉 O 形圈	Rubber ring	1
18	101S15004	螺钉 SM9/32"×28 L=16	ScrewSM9/32"×28 L=16	1
19	10112003	针杆曲柄护板	Counterweight protecting plate	1
20	1220400200	挑线曲柄部件	Needle bar crank asm.	1
21	101S15002	螺钉 SM1/4"×40 L=6	ScrewSM1/4"×40 L=6	2
22	1223800100	挑线杆分部件	Thread takeup lever asm.	1
23	1304001	挑线杆滚针轴承	Needle bearing	1
24	12226001	挑线连杆销	Thread takeup crank shaft	1
25	101S15001	螺钉 SM15/64"×28 L=15	ScrewSM15/64"×28 L=15	1
26	101S17001	螺钉 SM9/64"×40 L=6	ScrewSM9/64"×40 L=6	1

### 3. 针杆、夹线分组件 Needle Bar, Thread Tension Components



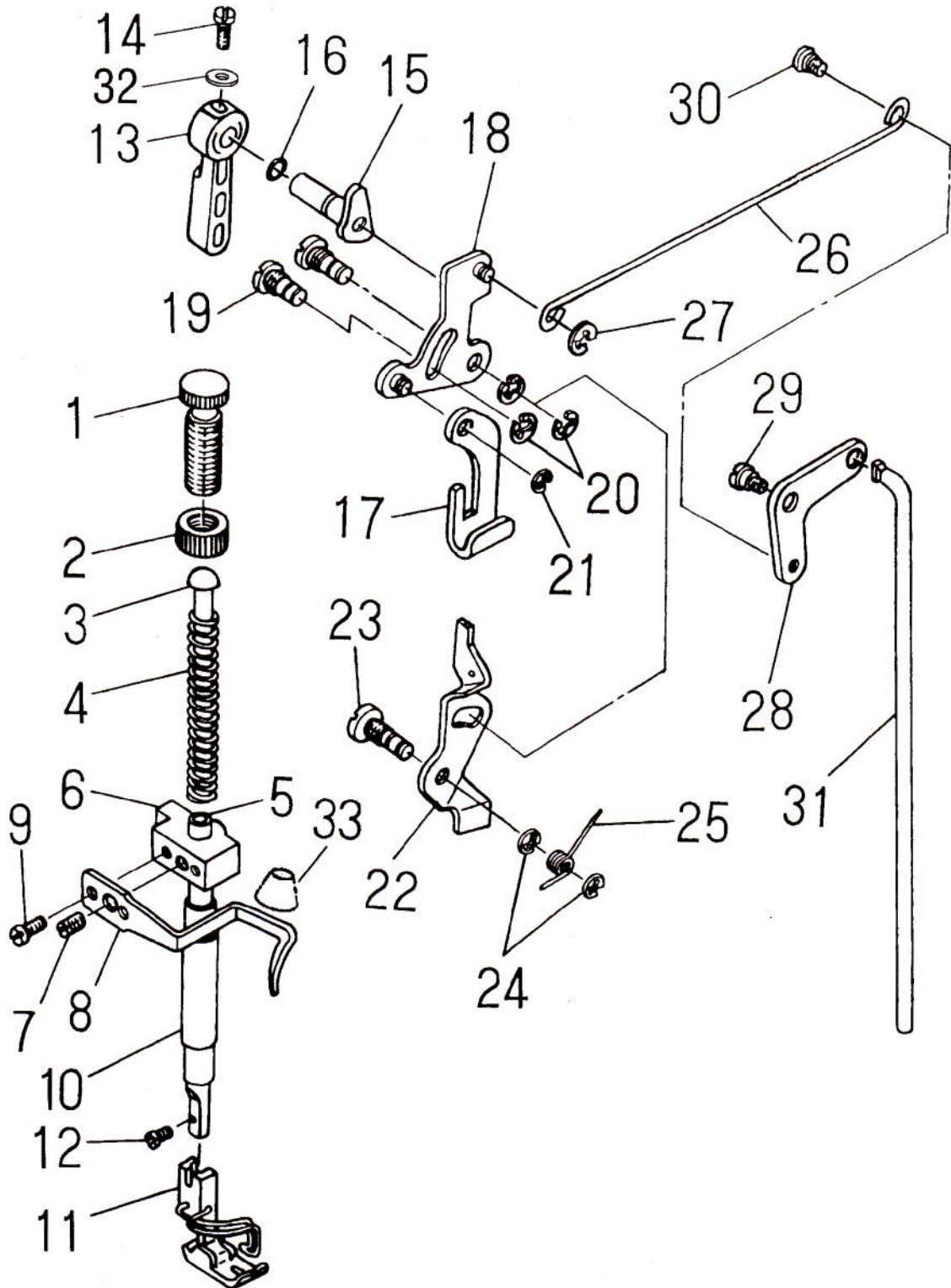


### 3. 针杆、夹线分组件 Needle Bar、thread Tension Components

序号 Ref. No.	件号 Part No.	名称	Description	数量 Amt.
1	12205002	针杆连杆	Needle bar crank rod	1
2	1304008	针杆连杆滚针轴承	Needle bearing	1
3	10138002	针杆连接柱	Needle bar connection asm.	1
4	101S11005	螺钉 SM9/64"X40 L=6	Screw	1
5	10109001	针杆连接柱滑块	Slide block	1
6	10103009	针杆上衬套	Needle bar bushing, upper	1
7	10122013	针杆上衬套孔塞	Cap	1
8	10103010	针杆下衬套	Needle bar bushing, lower	1
9	10113009	针杆下衬套线勾	Needle bar thread guide	1
10	12802001	针杆	Needle bar	1
11	12813002	针杆线勾	Needle bar thread guide	1
12	101S11006	螺钉 SM1/8"X44 L=4.5	Screw SM1/8"X44 L=4.5	1
13	10117001	机针	Needle	1
14	10113003	二眼线勾	Twohole thread eyelet	1
15	101S11004	螺钉	Screw SM3/16"X28 L=6	1
16	10113004	右线勾	Frsm thread guide, right	1
17	101S11007	螺钉	Screw SM11/64"X40 L=6	1
18	10113005	左线勾	Frsm thread guide, left	1
19	101S11007	螺钉	Screw SM11/64"X40 L=6	1
20	10103011	挑线簧调节座	Tension post socket	1
21	10127001	挑线簧	Take up spring	1
22	101S30002	夹线螺钉	Screw SM1/4"X40 L=17.5	1
23	101S15005	螺钉	Screw SM9/64"X40 L=5.5	1
24	10126002	松线钉	Thread release pin	1
25	10112005	夹线板	Tension disc	2
26	10112006	松线板	Tension disc holder	1
27	10127002	夹线簧	Tension spring	1
28	10112007	夹线制动板	Tension disc stopper	1
29	101S16001	夹线螺母	Tension nut SM1/4"X40 L=10	1
30	101S15006	螺钉	Screw SM15/64"X28 L=7	1
31	10126003	松线辅钉	Tension release supprotting pin	1
32	H05003	松线辅钉档圈	Snap ring	1
33	10128001	垫片	Washer plate	1
34	10127003	松线辅钉弹簧	Tension release pin spring	1
35	10109002	针杆滑块槽	Needle bar trough	1
36	101S11008	螺钉	Screw SM11/64"X40 L=8	2
37	10123002	针杆上毡塞	Oil felt for needle bar	1
38	10122014	O形圈	Rubber ring	1
39	11419001	割线刀	Knife	1
40	401S11040	割线刀螺钉	Screw SM1/8"X44 L=4.5	2
41	1143100100	绕线器轮	Bobbin winder base components	1
42	114S11003	绕线器轮螺钉	Screw SM11/64"X28 L=8	3



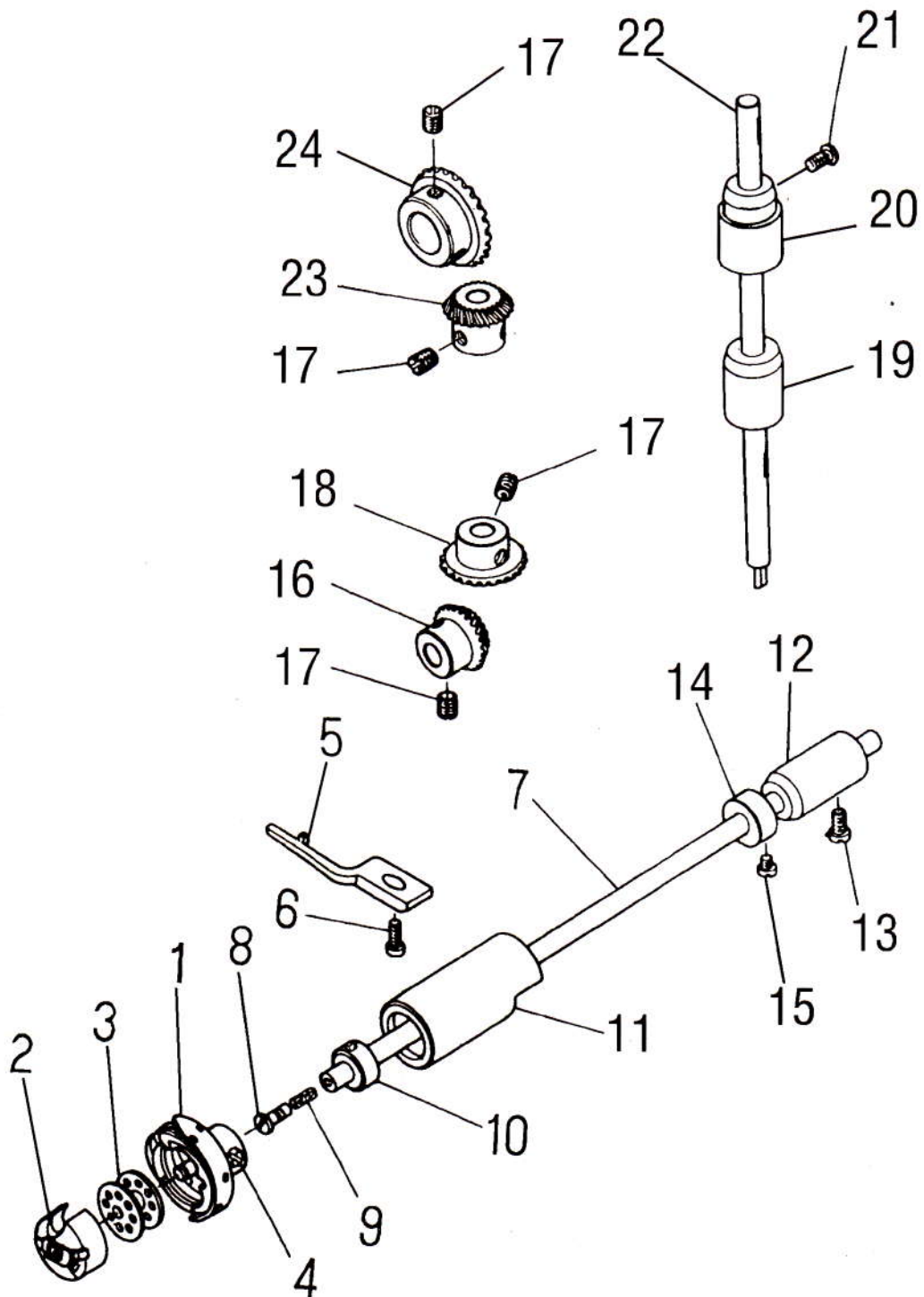
#### 4. 压料分组件 Presser Bar Components



#### 4. 压料分组件 Presser Bar Components

序号 Ref. No.	件号 Part No.	名称	Description	数量 Amt.
1	101S30004	调压螺钉 SM1/2"×28 L=47	Presser spring regulatorSM1/2"×28 L=47	1
2	101S16002	调压螺母 SM1/2"×28 L=8	NutSM1/2"×28 L=8	1
3	10102003	调压导杆	Presser guide bar	1
4	10127005	调压簧	Presser spring	1
5	12802002	压杆	Presser bar	1
6	12809003	压杆导架	Needle bar guide bracket	1
7	101S11009	螺钉 SM1/4"×40 L=8	ScrewSM1/4"×40 L=8	1
8	10113008	缓线调节钩	Presser bar thread guide	1
9	101S11005	螺钉 SM9/64"×40 L=6	ScrewSM9/64"×40 L=6	2
10	10103012	压杆衬套	Presser bar bushing lower	1
11	1281600200	活压脚部件	presser foot asm.	1
12	101S11009	螺钉 SM9/64"×40 L=10.5	ScrewSM9/64"×40 L=10.5	1
13	10111001	压脚扳手	Hand lifter	1
14	101S11010	螺钉 SM9/64"×40 L=11	ScrewSM9/64"×40 L=11	1
15	1011000200	压脚扳手凸轮分部件	Hand lifter cam asm.	1
16	O01004	O 形圈	Rubber ring	1
17	10112010	压脚升降板	Lifting lever	1
18	1011201100	抬压脚前杠杆分部件	Hand lifter link asm.	1
19	101S20001	前杠杆螺纹销 SM5/16"×24 L=5.5	Link shaftSM5/16"×24 L=5.5	2
20	H05009	螺纹销开口挡圈	Snap ring	3
21	H05009	升降板连接特制开口挡圈	Lifting lever ring	1
22	10112012	松线顶板	Tension release plate	1
23	101S20002	松线顶板螺纹销 SM5/16"×24 L=6.5	Tension release shaftSM5/16"×24 L=6.5	1
24	H05009	螺纹销开口挡圈	Snap ring	2
25	10127008	松线顶板复位簧	Tension release return spring	1
26	10112013	抬压脚拉杆	Lifting lever connecting rod	1
27	H05009	拉杆开口挡圈	Snap ring	1
28	10112014	抬压脚后杠杆	Lifting lever link	1
29	101S20003	后杠杆轴位螺钉 SM15/64"×28 L=6.4	Hinge screwSM15/64"×28 L=6.4	1
30	101S20004	抬牙脚拉杆螺钉 SM3/16"×32 L=5	Hinge screwSM3/16"×32 L=5	1
31	10112015	抬压脚顶杆	Connecting rod vertical	1
32	10128002	垫圈	Washer	1
33	10122034	压杆防油套	Presser bar defend oil bushing	1

5. 勾线分组件 Hook Driving Shaft Components

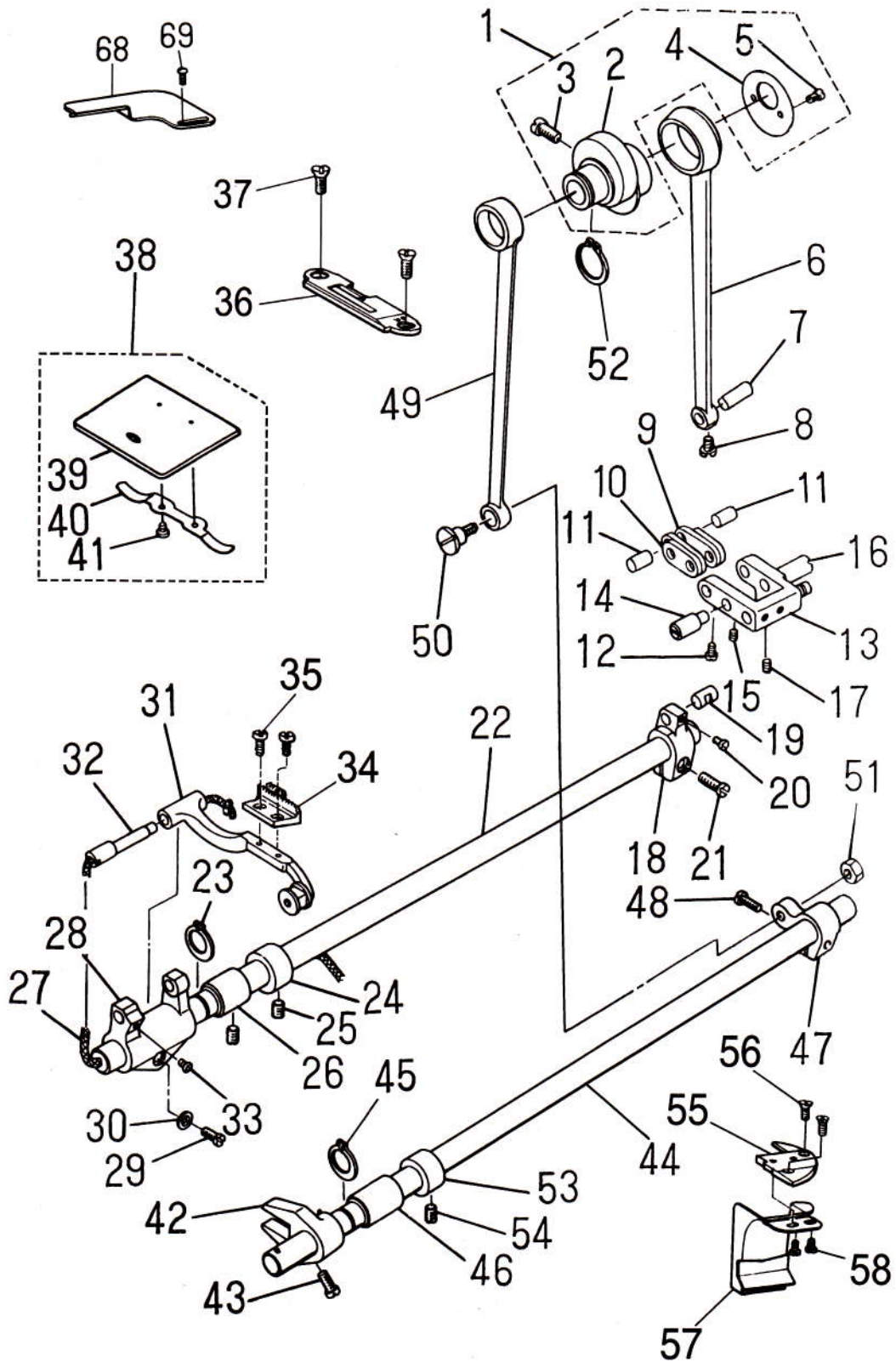


## 5. 勾线分组件 Hook Driving Shaft Compinents

序号 Ref. No.	件号 Part No.	名称	Description	数量 Amt.
1	10118504	旋梭 (广濂)	Hook asm	1
	10118001	旋梭 (JACK)	Hook asm	1
2	10118501	梭壳 (广濂)	Bobbin case asm	1
	10118002	梭壳 (国产)	Bobbin case asm	1
3	10118003	梭心	Bobbin	1
4	101S15008	旋梭紧固螺钉 SM11/64"×40 L=4	ScrewSM11/64"×40 L=4	1
5	10112016	旋梭定位钩	Positioning finger	1
6	101S11011	螺钉 SM11/64"×40 L=9.5	ScrewSM11/64"×40 L=9.5	1
7	10102006	下轴	Hook driving shaft	1
8	101S30005	螺钉 SM3/16"×32 L=13	ScrewSM3/16"×32 L=13	1
9	10123003	下轴限油芯	Oil wick	1
10	10122015	下轴油封	Thrust collar	1
11	1.01E+09	下轴前轴套分部件	Bushing asm. front	1
12	10103015	下轴后轴套	Bushing, rear	1
13	101S15006	螺钉 SM15/64"×28 L=7	ScrewSM15/64"×28 L=7	1
14	10108002	下轴挡圈	Thrust collar asm.	1
15	101S11012	螺钉 SM11/64"×40 L=4.8	ScrewSM11/64"×40 L=4.8	2
16	10125001	下轴伞齿轮(小)	Pinion asm.	1
17	101S15009	螺钉 SM1/4"×40 L=5.5	ScrewSM1/4"×40 L=5.5	4
18	10125002	竖轴下伞齿轮(大)	Gear asm. large	1
19	10103016	竖轴下轴套	Upright shaft bushing, ower	1
20	10103017	竖轴上轴套	Bushing, upper	1
21	101S15006	螺钉 SM15/64"×28 L=7	ScrewSM15/64"×28 L=7	1
22	10102007	竖轴	Upright shaft	1
23	10125003	竖轴上伞齿轮(小)	Pinion asm.	1
24	10125004	上轴伞齿轮(大)	Gear asm.	1



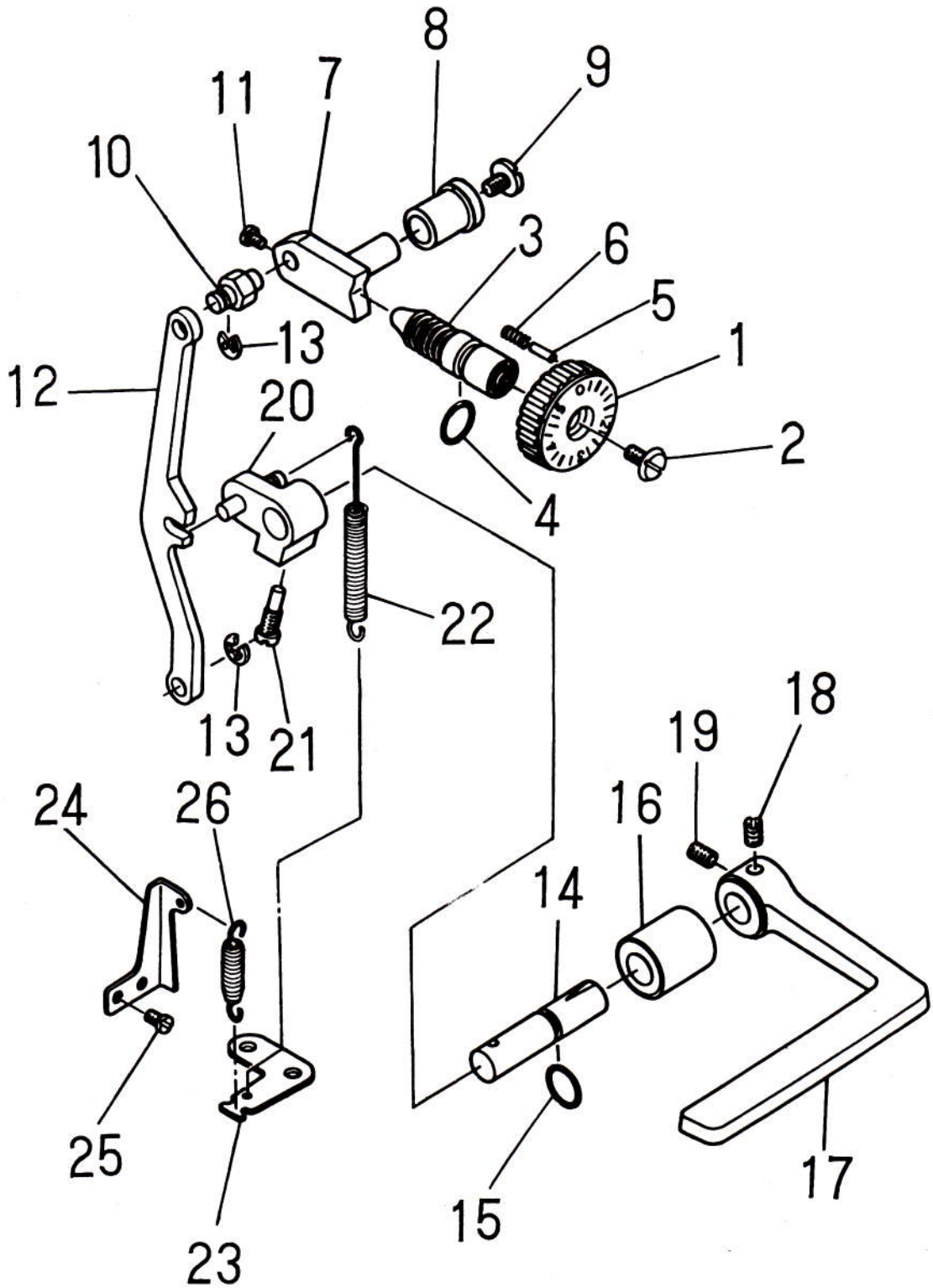
## 6. 送料分组件 Feed Mechanism Components



## 6. 送料分组件 Feed Mechanism Components

序号 Ref. No.	件号 Part No.	名称	Description	数量 Amt.
1	1011000300	送料偏心轮部件	Feed drive eccentric cam asm.	1
2	10110003	送料偏心轮	Feed drive eccentric cam.	1
3	101S11013	螺钉	Screw SM1/4"X40 L=13	2
4	10112017	送料偏心轮盖板	Thrust collar	1
5	101S11005	螺钉	Screw SM9/64"X40 L=5.5	2
6	10105003	送料连杆	Rocker shaft connecting rod	1
7	10126006	送料连杆销	Walking foot pin	1
8	101S11005	螺钉	Screw SM9/64"X40 L=6	1
9	10109004	送料长摆动板	Walking foot link	2
10	10109005	送料短摆动板	Connecting link	2
11	10126007	短摆动板连杆销	Walking foot pin	2
12	101S11005	螺钉	Screw SM9/64"X40 L=6	2
13	1010100200	送料摆动板座部件	Walking foot adjusting link	1
14	10126009	送料摆动板座左销	Adjusting link fulcrum shaft	1
15	101S15010	螺钉	Screw SM15/64"X28 L=10.5	1
16	10126010	送料摆动板座右销	Adjusting link fulcrum shaft	1
17	101S15010	螺钉	Screw SM15/64"X28 L=10.5	1
18	10104002	送料曲柄	Feed rocker shaft crank asm	1
19	10126011	送料曲柄销	Walking foot pin	1
20	101S11005	螺钉	Screw SM9/64"X40 L=6	1
21	101S11016	螺钉	Screw SM3/16"X28 L=14	1
22	10102008	送料轴	Feed rocker shaft	1
23	H03001	送料轴轴用挡圈	Retaining ring	1
24	10108003	送料轴挡圈	Thrust collar asm.	1
25	101S15002	螺钉	Screw SM1/4"X40 L=6	2
26	10103018	送料轴前轴套	feed tpcler shaft bushing	1
27	10123001	送料轴油线	Oil wick	2
28	10101003	牙架座	Feed rocker asm.	1
29	101S11016	牙架座螺钉	Screw SM3/16"X28 L=14	1
30	10128003	牙架座螺钉垫圈	Washer	1
31	1010700100	牙架分部件	Feed bar asm.	1
32	10126013	牙架销	Feed bar shaft	1
33	101S11025	螺钉	Screw SM11/64"X40 L=7	1
34	12814001	送料牙	Feed dog	1
35	101S11018	螺钉	Screw SM1/8"X44 L=6	2
36	12815001	针板	Throat plate	1
37	101S17002	螺钉	Screw SM11/64"X40 L=6.4	2
38	1011500200	推板分部件	Bed slide asm.	1
39	10115002	推板	Slide plate	1
40	10127009	推板簧	Bed slide spring	1
41	101S11019	螺钉	Screw SM3/32"X56 L=1.9	2
42	10104003	抬压叉形曲柄	Driving shaft crank asm. front	1
43	101S11020	螺钉	Screw SM11/64"X40 L=10.5	1
44	10102009	抬牙轴	Feed driving shaft	1
45	H03001	抬牙轴轴用挡圈	Retaining ring	1
46	10103018	抬牙轴前轴套	Feed rocker shaft bushing	1
47	10104004	抬牙后曲柄	Rear crank asm.	1
48	101S11021	螺钉	Screw SM3/16"X28 L=12	1
49	10105004	抬牙连杆	Connecting rod	1
50	101S20005	抬压连杆轴位螺钉	Hinge screw SM9/32"X28 L=13.5	1
51	101S16003	螺母	Nut SM19/32"X28 L=4	1
52	H03002	抬牙连杆轴用挡圈	Snap ring	1
53	10108003	抬牙轴挡圈	Thrust collar asm.	1
54	101S15002	螺钉	Screw SM1/4"X40 L=6	2
55	12815004	辅助针板	Throat plate	1
56	101S17002	螺钉	Screw SM11/64"X40 L=6.4	2
57	12812003	碎布屑导向	Waste material	1
58	112S11005	碎布屑导向螺钉	Screw SM3/32"X56 L=1.9	2

7. 送料调节分组件 Feed Regulating Components



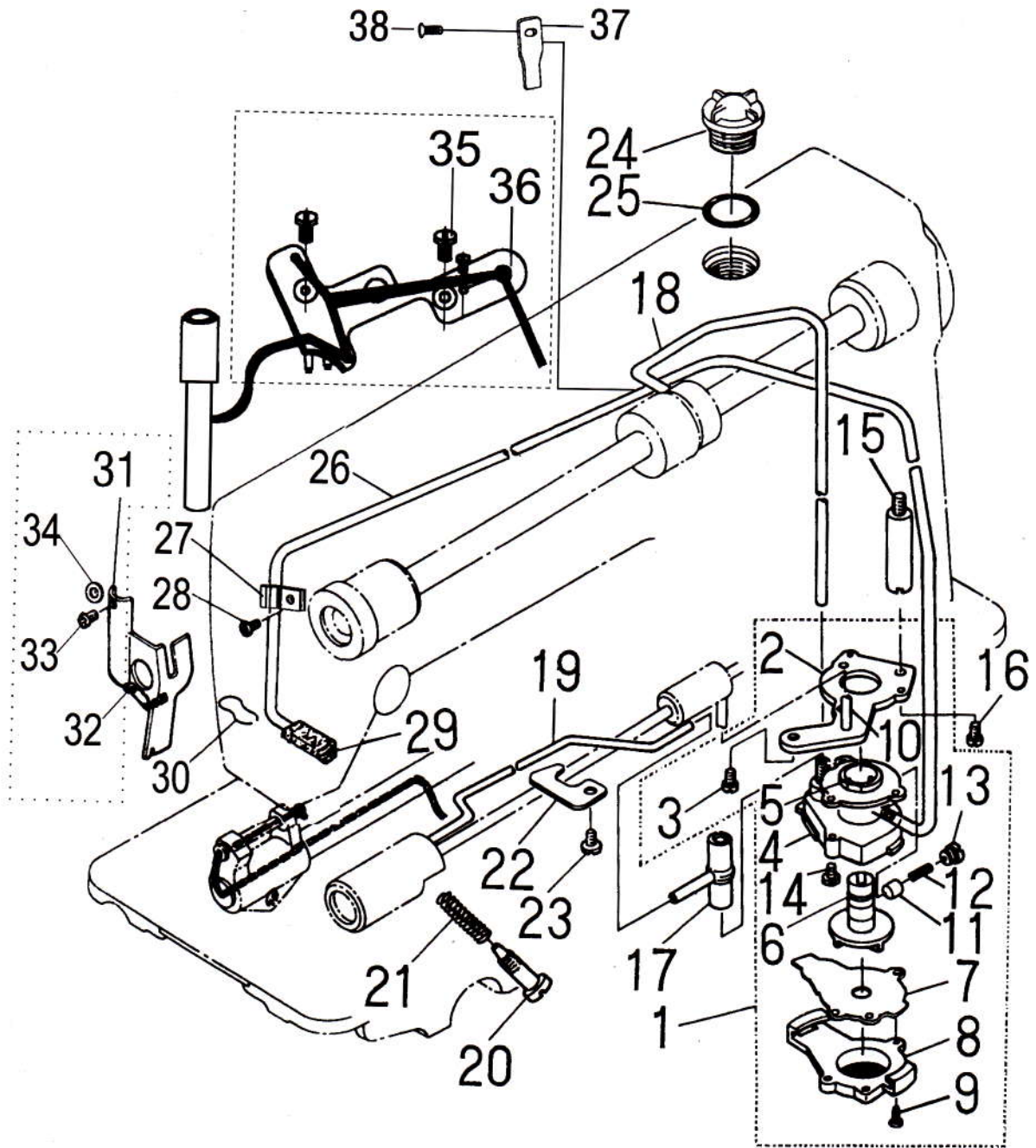


## 7. 送料调节分组件 Feed Regulating Components

序号 Ref. No.	件号 Part No.	名称	Description	数量 Amt.
1	10111002	送料距旋钮	Feed dial	1
2	101S11022	螺钉 SM3/16"×28 L=18	ScrewSM3/16"×28 L=18	1
3	10126014	送料调节螺柱	Feed regulator screw	1
4	10122016	O形圈	Rubber ring	1
5	10126015	送料距锁合销	Pin	1
6	10127010	送料距锁合簧	Spring	1
7	10101004	送料调节器	Feed regulator	1
8	10103020	送料调节器轴套	Feed regulator bushing	1
9	101S11023	螺钉 SM3/16"×28 L=6.5	ScrewSM3/16"×28 L=6.5	1
10	10126016	倒送料连杆销	Feed regulator pin	1
11	101S11005	螺钉 SM9/64"×40 L=6	ScrewSM9/64"×40 L=6	2
12	10105005	倒送料连杆	Feed regulator connecting rod	1
13	H05009	倒送料连杆挡圈	Snap ring	2
14	10102010	倒送料轴	Feed reverse shaft	1
15	10122017	O形圈	Rubber ring	1
16	10103021	倒送料轴轴套	Feed lever metal	1
17	10101005	倒送料扳手	Reverse feed control lever	1
18	101S15011	螺钉 SM1/4"×40 L=10	ScrewSM1/4"×40 L=10	1
19	101S15007	螺钉 SM1/4"×40 L=8	ScrewSM1/4"×40 L=8	1
20	1010400500	倒送料曲柄部件	Feed reverse arm asm.	1
21	101S17003	螺钉 SM1/4"×40 L=20	ScrewSM1/4"×40 L=20	1
22	10127011	倒送料拉簧	Feed reverse spring	1
23	10112018	拉簧固定板	Feed spring hook	1
24	10112019	摆动板座复位板	Adjusting link spring guide	1
25	101S11025	螺钉 SM11/64"×40 L=7	ScrewSM11/64"×40 L=7	2
26	10127012	摆动板座复位簧	Adjusting link spring	1



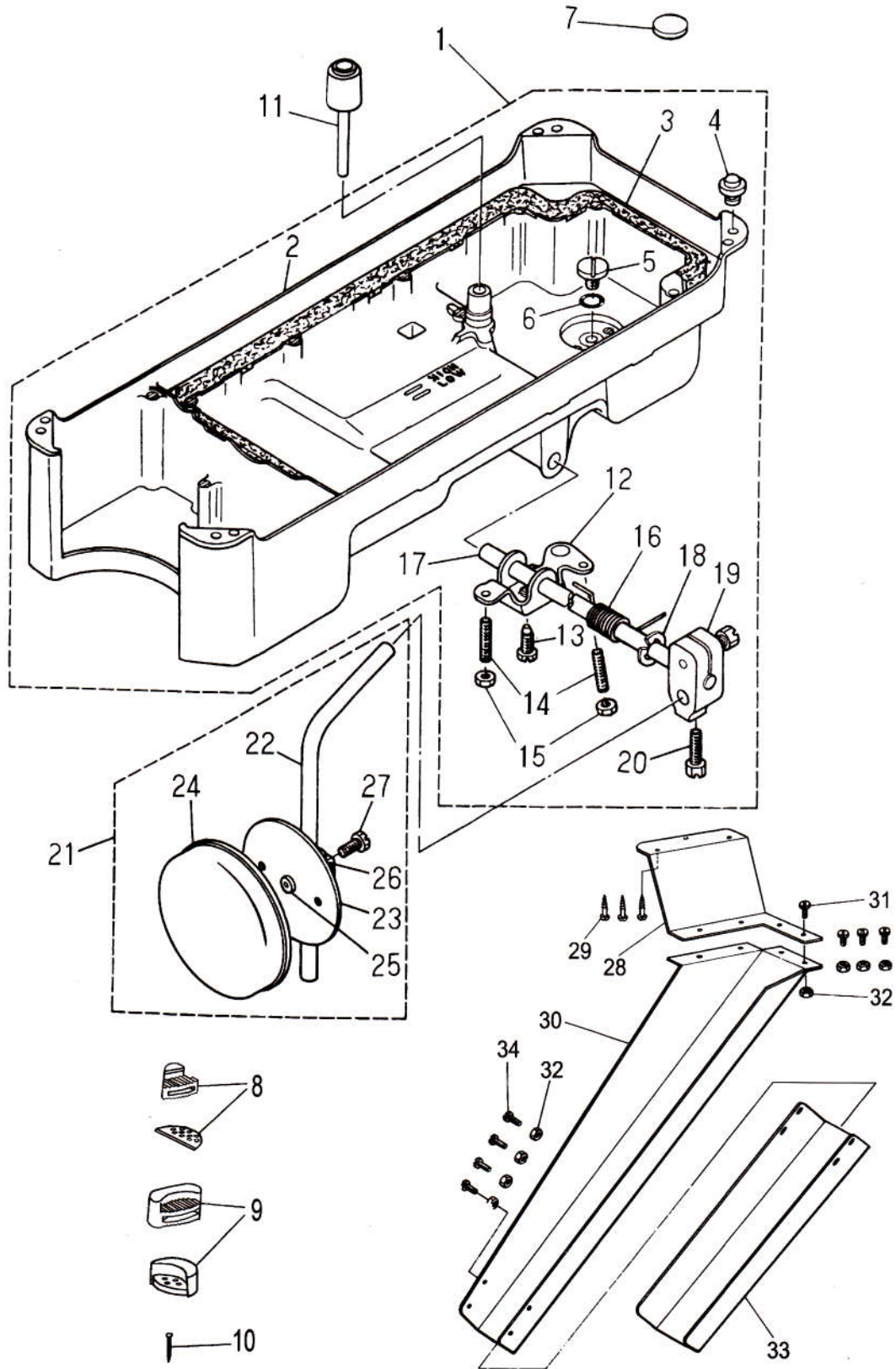
# 8. 润滑分组件 Lubrication Components



## 8. 润滑分组件 Lubrication Components

序号 Ref. No.	件号 Part No.	名称	Description	数量 Amt.
1	1012000100	油泵分部件	Lubricating oil pump asm.	1
2	10112020	油泵安装板	Oil pump installing base	1
3	101S11026	螺钉 SM15/64"×28 L=9	Screw	1
4	10120001	油泵体	Oil pump	1
5	10103022	油泵体衬套	Oil pump bushing	1
6	10111003	油泵叶轮	Oil pump impeller	1
7	10112021	油泵叶轮托板	Oil pump impeller cover	1
8	10111007	油泵盖	Lubricating oil pump cover	1
9	101S30006	螺钉	Screw	1
10	10121001	下轴供油管	Hook driving shaft oil tube	1
11	10122018	回油柱塞	Plunger	1
12	10127013	柱塞簧	Plunger spring	1
13	101S30007	螺钉 SM9/32"×32 L=7	ScrewSM9/32"×32 L=7	1
14	101S11031	螺钉	Screw	3
15	101S30008	油泵连接螺柱 SM15/64"×28 L=7	Oil pump supportSM15/64"×28 L=7	1
16	101S11011	螺钉 SM11/64"×40 L=9.5	Screw	1
17	10136001	供油管接头	Rubber joint	1
18	10121002	上轴供油管	Main shaft oil tube	1
19	10121003	旋梭供油管	Oil tube	1
20	101S30009	螺钉 SM15/64"×28 L=25	Oil adjusting screw	1
21	10127014	旋梭油量调节簧	Spring	1
22	10112022	旋梭供油管压板	Tube holder(lower)	1
23	101S11026	螺钉 SM15/64"×28 L=9	Screw	1
24	10111004	油窗	Oil sight window	1
25	10122019	油窗 O 形圈	Rubber ring	1
26	10121004	回油管	Oil return tube	1
27	10112023	回油管夹	Oil return tube holder	1
28	101S11004	螺钉 SM3/16"×28 L=6	Screw	1
29	10123006	回油毡	Oil felt	1
30	10127015	回油毡夹	Oil felt presser	1
31	10112024	面部防油板	Arm oil shield	1
32	10123001	防油板油线	Oil wick	1
33	101S11027	螺钉 SM1/8"×44 L=4	Screw	1
34	10128005	垫片	Washer	1
35	101S11010	螺钉 SM9/64"×40 L=11	Oil wick setplate screw	2
36	10112025	油线固定板组件	Oil wick setplate asm.	1
37	10112026	回油管压板	Presser	1
38	101S11033	螺钉 SM3/16"×28 L=5.8	Screw	1

9. 油盘、膝抬压脚部分组件 Oil Reservoir, knee Lifter Components



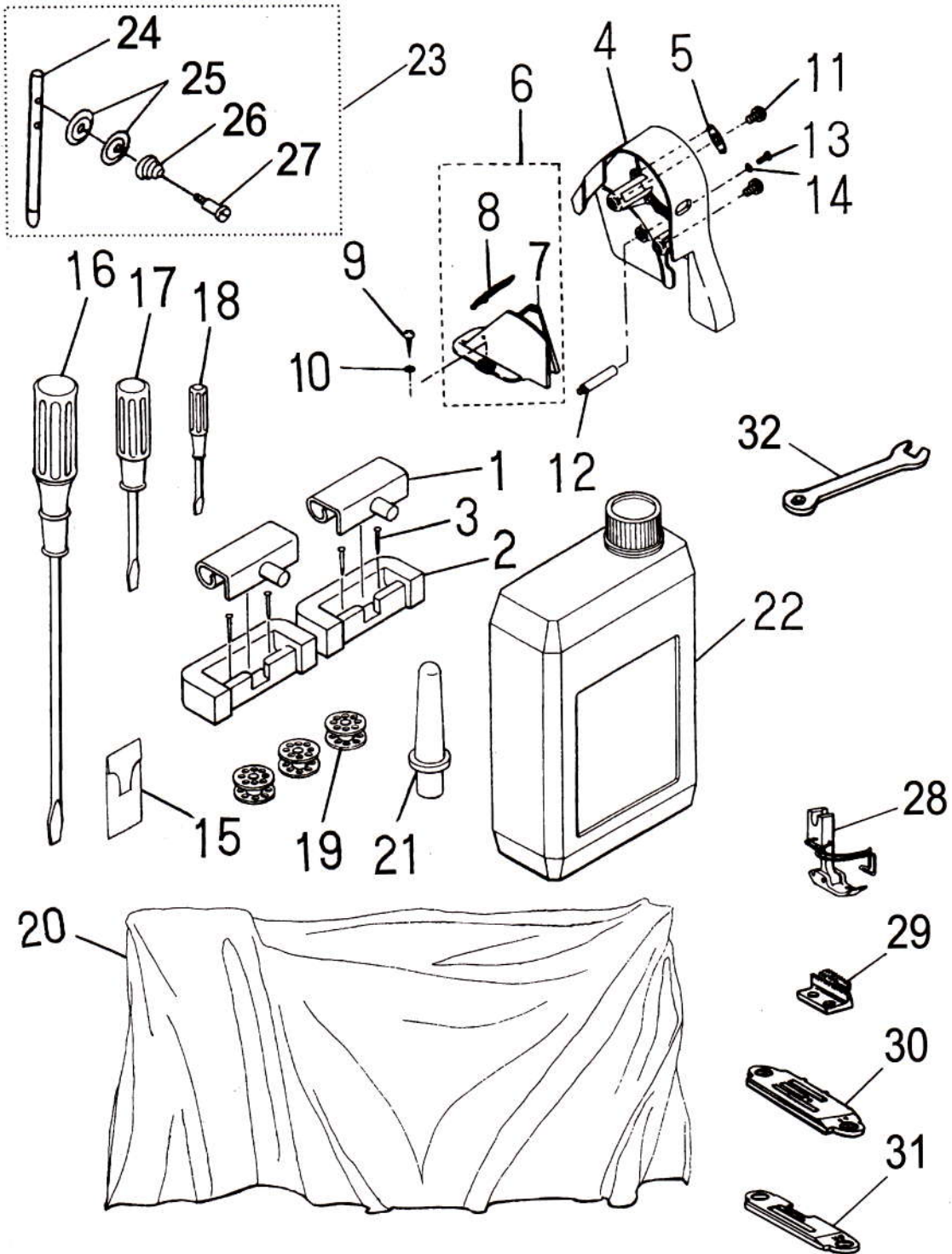


## 9. 油盘、膝抬压脚部分组件 Oil Reservoir、knee Lifter Components

序号 Ref. No.	件号 Part No.	名称	Description	数量 Amt.
1	1280100600	油盘部件	Oil reservoir asm.	1
2	12801006	油盘	Oil reservoir	1
3	10122020	油盘垫	Gasket	2
	10122050	油盘垫(二)	Gasket	1
4	10122031	机头座垫(外销)	Rubber cushion	4
5	101S11028	螺钉M8X1 L=7	Screw	1
6	10122021	O形圈	Rubber ring	2
7	10131001	油盘磁铁	Oil reservoir magnet	1
8	10122022	油盘座垫(内销)	Oil reservoir felt cushion	2
	10122032	油盘座垫(外销)	Oil reservoir felt cushion	2
9	10122023	油盘支架(内销)	Oil reservoir rubber	2
	10122033	油盘支架(外销)	Oil reservoir rubber	2
10	101S30010	油盘座钉(外销)	Nail	4
11	10111005	抬压脚顶杆	Knee press lifter rod	1
12	10112027	抬压脚双向曲柄	Connecting rod, vertical	1
13	101S12002	螺钉	Screw	1
14	101S15012	螺钉 M6 L=16	Screw M6 L=16	2
15	101S16004	双向曲柄限位调节螺母	Nut	2
16	10127016	双向曲柄扭簧	Spring	1
17	10102011	抬压脚轴	Knee press rod	1
18	H05010	抬压脚轴开口挡圈	Snap ring	1
19	10101008	抬压脚操纵杆节头	Bearing bracket	1
20	101S12003	螺钉 M8 L=12	Screw	1
21	1011202800	操纵杆部件	Knee press plate asm.	1
22	10112028	操纵杆	Knee lifter plate rod	1
23	10112029	操纵板	Knee press plate	1
24	10122024	操纵板软垫	Knee press plate cover	1
25	10122025	操纵杆垫	Rubber	1
26	10112030	操纵杆节头	Knee press plate holder	1
27	101S12004	螺钉	Screw	1
28	12812011	导屑滑板支架	Waste material chute holder	1
29	128S30001	导屑滑板支架木螺钉	Wood screw	3
30	12812012	导屑滑板	Waste material chute	1
31	301S16002	导屑滑板螺钉	Screw	4
32	402S11003	导屑滑板螺母	Nut	8
33	12812013	导屑连接滑板	Waste material chute	1
34	401S11022	导屑连接滑板螺钉	Screw	4



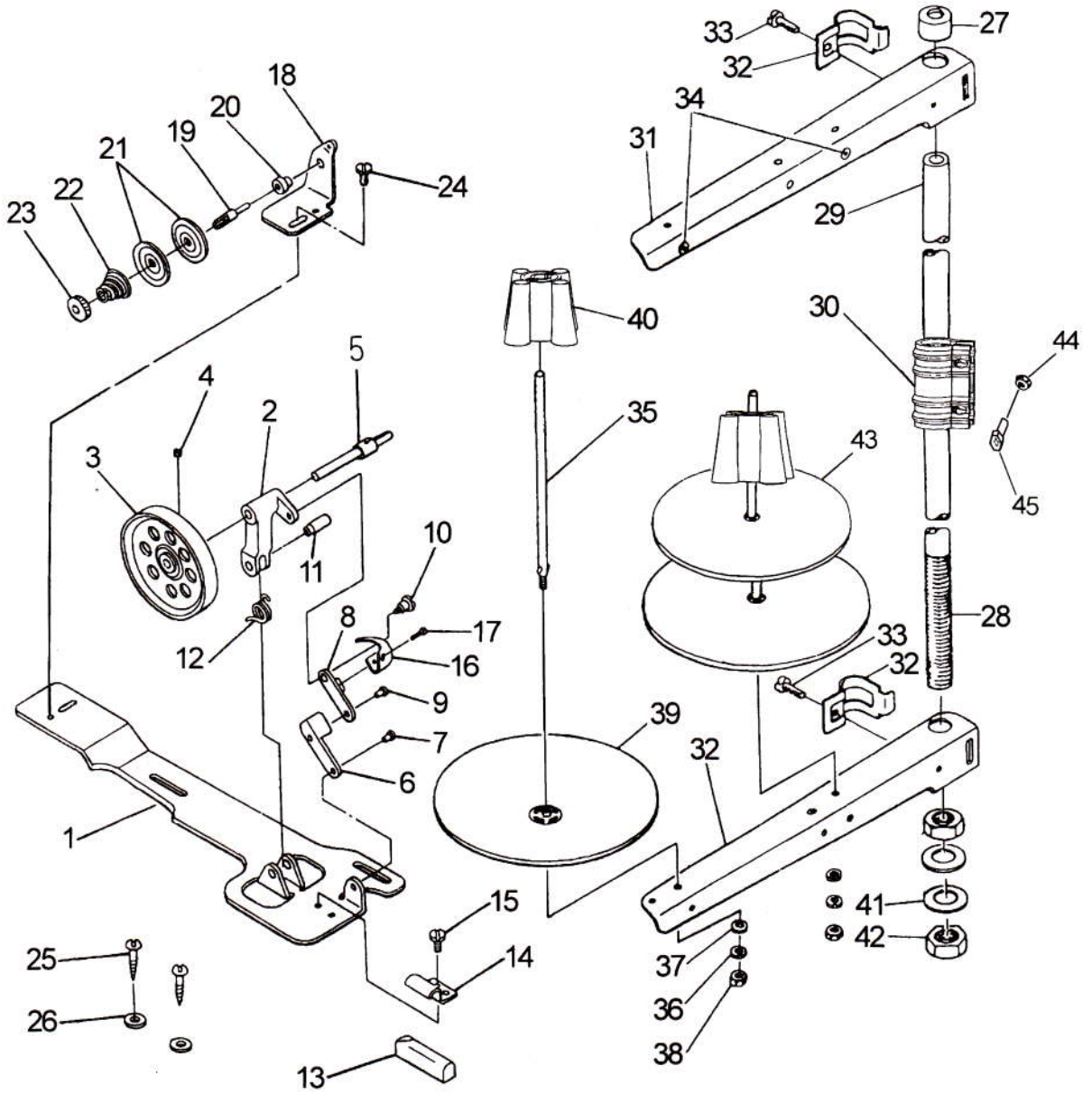
10. 机头附件(1) Machine head accessories (1)



## 10. 机头附件(1) Machine head accessories (1)

序号 Ref. No.	件号 Part No.	名称	Description	数量 Amt.
1	1011203100	机头连接钩部件	Machine hinge plate asm.	2
2	10122026	机头连接钩座	Machine hinge plate	2
3	101S30010	机头连接钩座钉	Nail	4
4	10111006	上轮前罩壳	Belt cover, A	1
5	10111008	前罩壳安装架	Belt cover, A cap	1
6	1011100900	上轮后罩壳部件	Belt cover, B asm.	1
7	10111009	上轮后罩壳	Belt cover, B	1
8	1011101000	后罩壳盖部件	Belt cover, B cover asm.	1
9	101S30011	木螺钉	Wood screw	2
10	10128006	垫圈	Washer	2
11	101S11029	前罩壳紧固螺钉	Belt cover, A screw	2
12	101S30012	后罩壳支柱	Belt cover support	1
13	101S11030	螺钉	Screw	1
14	10128007	垫圈	Washer	1
15	10117001	机针	Needle	1包
16	10131002	螺丝刀(大)	Screw driver, large	1
17	10131003	螺丝刀(中)	Screw driver, mendium	1
18	10131004	螺丝刀(小)	Screw driver, small	1
19	10118003	梭心	Bobbin	1
20	10131005	机头罩	Machine head cover	1
21	10111011	机头支柱	Machine rest pin	1
22	1011101200	油箱部件	Oil reservoir asm.	1
23	1011300700	过线器部件	Needle thread guide pin asm.	1
24	10112008	过线柱	Needle thread guide pin	1
25	10112009	过线夹线板	Tension disc	2
26	10127004	过线夹线簧	Tension spring	1
27	101S30003	螺钉	Screw	1
28	1281600300	压脚组件	Presser bar bushing lower	1
29	12814002	送料牙	Feed dog	1
30	12815002	针板1/4	Throat plate 1/4	1
31	12815003	针板3/16	Throat plate 1/8	1
32	20131042	扳手7#	Wrench 7#	1

10. 机头附件(2) Machine head accessories (2)

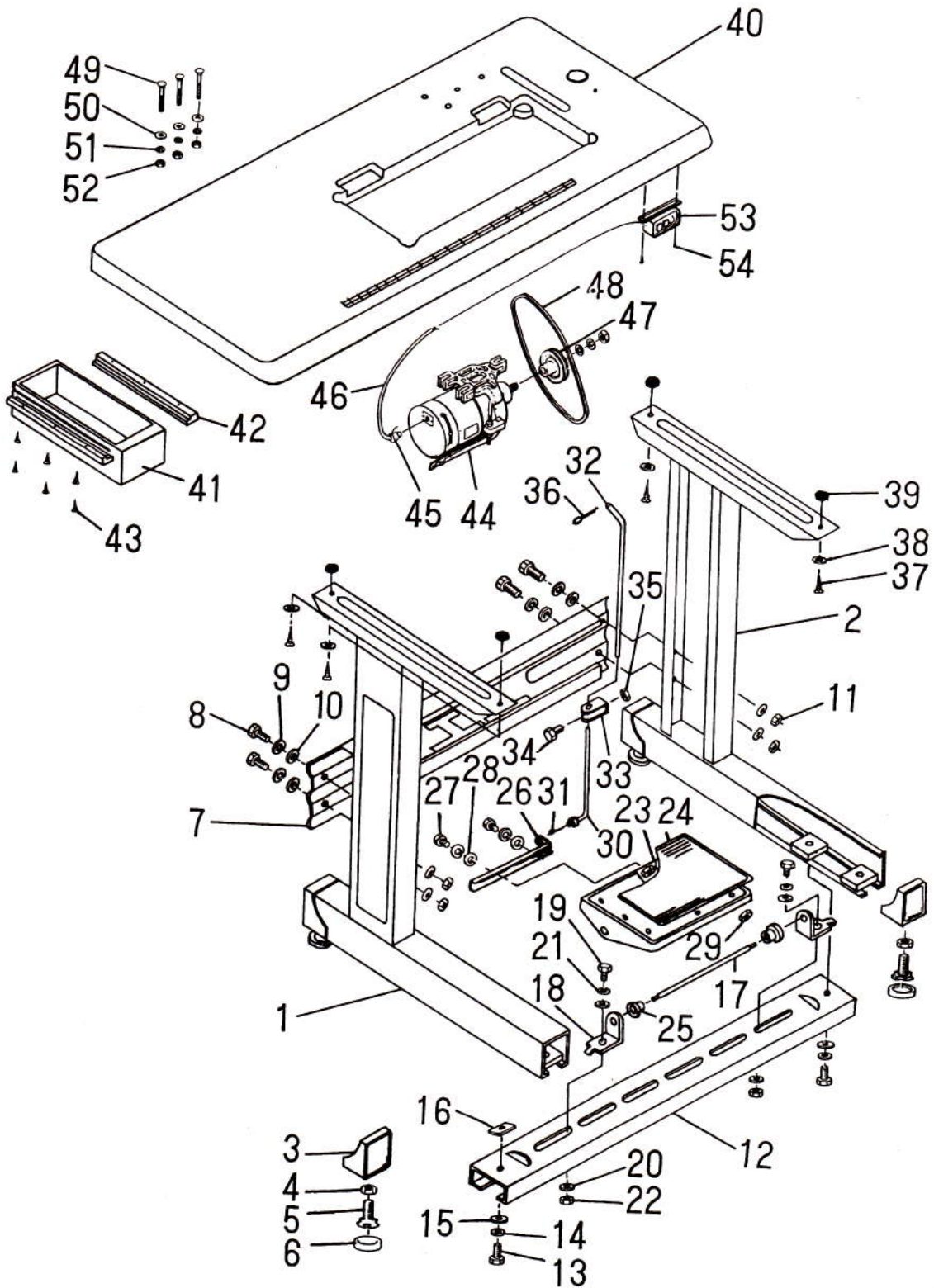




## 10. 机头附件(2) Machine head accessories (2)

序号 Ref. No.	件号 Part No.	名称	Description	数量 Amt.
1	10112032	绕线座	Bobbin winder base asm.	1
2	10101009	绕线架	Thread winder base asm.	1
3	10101010	绕线轮	Thread winder asm.	1
4	S04006	螺钉	Screw	1
5	10102012	绕线轴	Bobbin winder shaft	1
6	10112033	绕线座连杆	Connevtng rod	1
7	10126018	绕线座连杆销	Connevtng rod pin	1
8	10112034	绕线架连杆	Bobbin winder frame rod	1
9	10126018	绕线架连杆销	Bobbin winder frame rod pin	1
10	10120006	绕线架连杆轴位螺钉	Screw	1
11	10126019	绕线架销	Bobbin winder frame pin	1
12	10127017	绕线架簧	Bobbin winder frame spring	1
13	10122027	绕线轮制动垫	Rubber brake	1
14	10112035	制动垫夹	Presser plate	1
15	S04006	螺钉	Screw	1
16	10112036	满线跳板簧	Bobbin winder spring	1
17	S04017	过线夹线螺钉	Hinge screw	1
18	10112037	过线架座	Thread tension bracket asm.	1
19	101S30013	螺钉	Screw	1
20	10108005	过线夹线板挡圈	Bobbin winder tension disc collar	1
21	10112038	过线夹线板	Tension disc	2
22	10127018	过线夹线簧	Tension spring	1
23	101S16005	螺母	Nut	1
24	S04006	螺钉	Screw	1
25	101S30014	木螺钉	Wood screw	2
26	10128008	垫圈	Washer	2
27	10122028	线架杆顶防护橡皮	Spool rest rod rubber cap	1
28	10131008	线架杆下节	Spool rest rod (lower)	1
29	10131009	线架杆上节	Spool rest rod (upper)	1
30	10112039	线架杆接头	Spool rested joint	1
31	10112040	线架过线杆	Thread guide asm.	2
32	10112041	线架过线夹	Thread guide asm joint	2
33	S04013	螺钉	Screw	2
34	10113010	过线圈	Thread guide ring	2
35	10131010	线盘钉	Spool pin	2
36	10128009	弹簧垫圈	Spring washer	2
37	101S16006	螺母	Nut	2
38	10111013	线盘	Spool rest	2
39	10111014	线团防松垫	Spool vibration stopper	2
40	10128010	垫圈	Washer	2
41	N02003	螺母	Nut	2
44	S04018	螺钉	Screw	2
45	N01002	螺母	Nut	2
46	10123008	线盘垫	Spool rest cushion	2

11. 机架、台板、电器分组件 Machine stand、table、electric appliance components



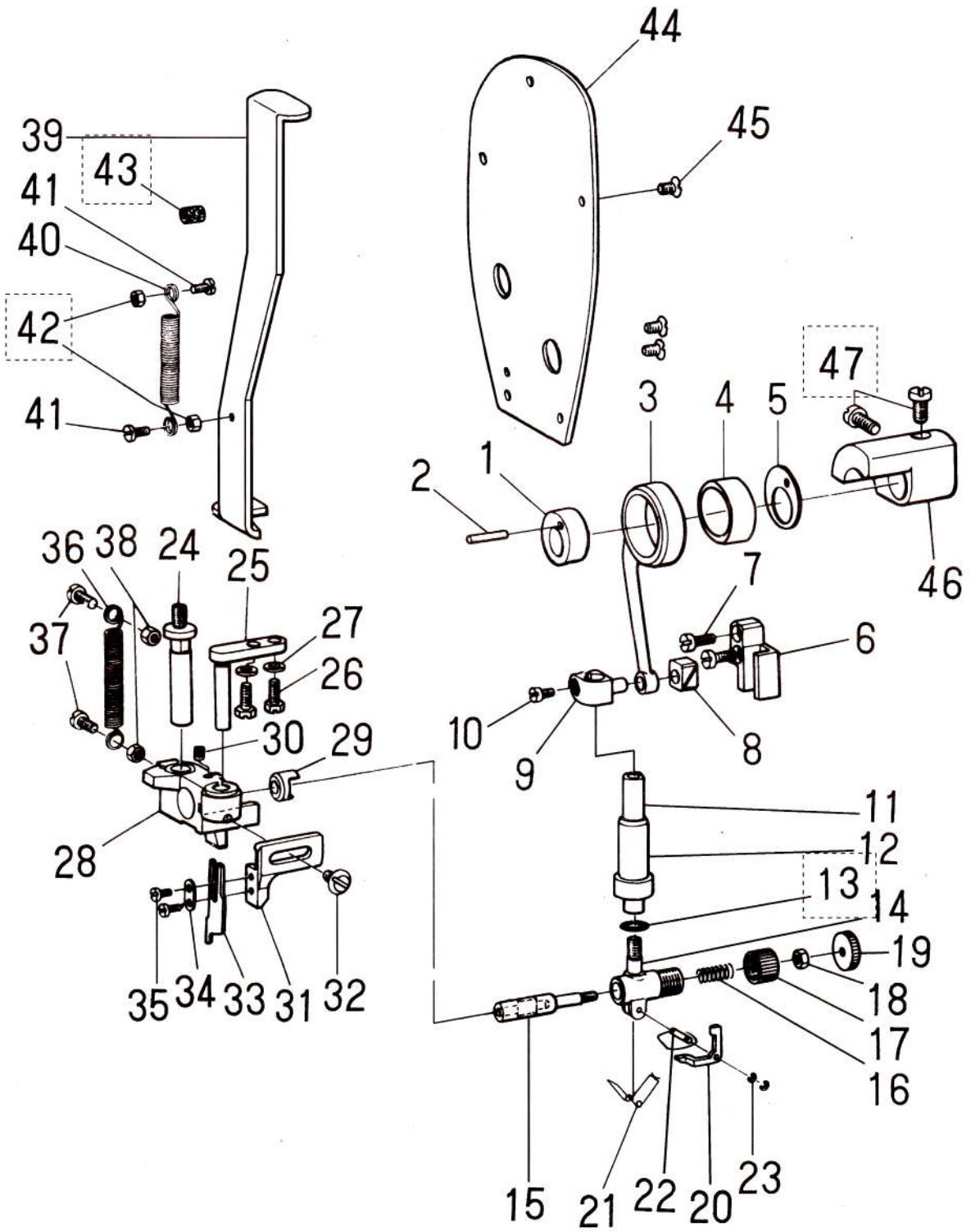


## 11. 机架、台板、电器分组件 Machine stand、table、electric appliance components

序号 Ref. No.	件号 Part No.	名称	Description	数量 Amt.
1	1011204200	边架部件(左)	Stand side asm. left	1
2	1011204300	边架部件(右)	Stand side asm. right	1
3	10111015	边架座套	Rubber cushion	4
4	N01010	螺母	Nut	4
5	101S30015	调节座	Screw	4
6	10122029	调节座橡胶	Space ring	4
7	10112044	横档	Stand side support	1
8	L02014	横档连接螺栓	Screw	4
9	10128011	垫圈	Spring washer	4
10	W01010	垫圈	Washer	8
11	N01011	螺母	Nut	4
12	10112045	踏板轴档	Treadle brace	1
13	L02014	踏板轴档螺栓	Screw	2
14	10128011	垫圈	Spring washer	2
15	W01010	垫圈	Washer	2
16	10112046	踏板轴档定位螺母板	Treadle brace locknut plate	2
17	10102013	踏板轴	Treadle shaft	1
18	10112047	踏板轴座	Treadle brakvet	2
19	L02014	踏板轴座螺栓	Screw	2
20	W01010	垫圈	Washer	4
21	10128011	弹簧垫圈	Spring washer	2
22	N01011	螺母	Nut	2
23	10112048	踏板	Treadle	1
24	10122030	踏板垫	Gas Ket	1
25	10103023	踏板衬套	Collar	2
26	10112049	踏板杠杆	Treadle pitman	1
27	L02015	踏板杠杆螺栓	Screw	2
28	W01003	垫圈	Washer	4
29	N01012	螺母	Nut	2
30	10112050	下拉杆	Pitman rod, lower	1
31	10127019	拉杆弹簧	Spring	1
32	10112051	上拉杆	pitman rod, upper	1
33	10112052	拉杆接头	Joint	1
34	L02015	拉杆接头螺栓	Joint screw	1
35	N01012	螺母	Nut	1
36	10129001	上拉杆开口销	Pitman rod split pin (upper)	1
37	101S30016	台板木螺钉	Table Wood screw	4
38	10128012	垫圈	Table Wood screw washer	4
39	10128013	台板垫圈	Table washer	4
40	10132002	台板	Table	1
41	10111016	抽斗	Drawer	1
42	10111017	抽斗导轨	Drawer rail	2
43	101S30017	抽斗导轨木螺钉	Drawer rail wood screw	6
44	10133001	GFC4024 型电机	Motor GFC4024 motor	1
45	10130002	电机接线插头	Motor connecting wire plug	1
46	10130003	电机接线	Motor wire	1
47	10135004	电动机带轮	Motor pulley	1
48	10135002	机头传动带	Machine driving belt	1
49	101S30018	螺钉	Screw	3
50	10128014	垫圈	Washer	3
51	10128011	弹簧垫圈	Spring washer	3
52	N01011	螺母	Nut	3
53	10130004	电源开关	Power source switch	1
54	101S30019	电源开关木螺钉	Power source switch wood screw	2



12. 切刀专用件 Knife Components



12. 切刀专用件 Knife Components

序号	件号	名称	Description	Amt. 数量
1	12710002	切刀凸轮	Knife cam	1
2	12726001	切刀凸轮销	Pin	1
3	12705001	切刀连杆	Knife driving rod	1
4	1272400100	切刀连杆滚轴承	Knife needle bearing	1
5	12812005	切刀凸轮盖板	Thrust plate	1
6	12809001	切刀滑块导轨	Slide block guide	1
7	101S11011	切刀滑块导轨螺钉	Screw	1
8	12809002	切刀滑块	Crank slide block	2
9	12804002	切刀轴连接柱	Knife driving stud connection asm	1
10	101S11005	切刀轴连接柱螺钉	Screw	1
11	12702003	切刀轴	Knife driving stud	1
12	12803001	切刀轴衬套	Bushing	1
13		衬套O形圈	Rubber ring	1
14	12804003	切刀离合支架	Knife driving rod clutch retainer	1
15	12826001	切刀离合销	Knife driving rod clutch pin	1
16	12827001	切刀离合销簧	spring	1
17	12801002	切刀离合销盖	Cap	1
18	101S30011	切刀离合销螺母	Nut	1
19	12811001	切刀离合销旋钮	Knob	1
20	12805001	切刀放松杆	Knife release lever	1
21	12827002	切刀放松杆簧	Spring	1
22	12826002	放松杆销	Pin	1
23	12826003	切刀放松杆挡圈	Snap ring	1
24	12805002	切刀座轴	Knife driving block stud	1
25	209S12001	切刀座导杆	Guide stud for knife driving block	1
26	12828001	切刀座导杆螺钉	Bolt	2
27	1280100300	切刀座导杆螺钉垫圈	Washer	2
28	12801004	切刀座部件	Knife driving block asm	1
29	128S17001	切刀离合销衬套	Clutch pin bushing	1
30	12819001	切刀离合销衬套螺钉	Screw	1
31	12801004	切刀架	Knife holder	(1)
32	128S17001	切刀架螺钉	Screw	(1)
33	12819001	上切刀	Knife	1
34	12812006	上切刀压板	Washer	1
35	303S11006	上切刀螺钉	Screw	1
36	12827003	切刀座拉簧	Tension spring	2
37	101S11011	切刀座拉簧螺钉	Screw	1
38	301S16002	切刀座拉簧螺母	Nut	2
39	12812007	切刀座复位板	Knife postoning plate	2
40	12827004	复位板拉簧	Tension spring	1
41	128S2000	复位板拉簧螺钉	Screw	1
42		复位板拉簧螺母	Nut	2
43		复位板毛毡	Felt	2
44	12812008	复位板罩板	Face plate cover	1
45	101S17002	复位板罩板螺钉	Screw	3
46	12801005	切刀连杆正平衡横锤	Balancer	1
47	201S11029	平衡横锤螺钉	Screw	2

### 13. 厚料用 For Heavy Weight Materials

序号 Ref. No.	件号 Part No.	名称	Description	数量 Amt.
1	1011000400	挑线曲柄分部件	Needle bar crank H asm.	1
2	10110004	挑线曲柄	Needle bar crank H	1
3	10103023	针杆下轴套	Needle bar bushing, lower	1
4	10113009	针杆下轴套线钩	Needle bar rhread guide	1
5	10102012	针杆	Needle bar	1
6	10117002	机针(DB×1 <sup>#</sup> 21)	Needle(DB×1 <sup>#</sup> 22)	1
7	1011301200	夹线器部件	Thread tension asm.	1
8	10127017	夹线簧	Tension spring	1
9	10127018	调压簧	Presser spring	1
10	1011600400	活压脚板部件	Hinged presser foot asm.	1
11	10116005	活压脚板	Presser foot asm.	1
12	10116006	活压脚柄	Presser foot stem	1
13	10118505	旋梭	Hook asm.	1
14	10112032	旋梭定位钩	Positioning finger	1
15	10114002	送料牙	Feed dog (H)	1
16	10115003	针板	Thread dog (H)	1