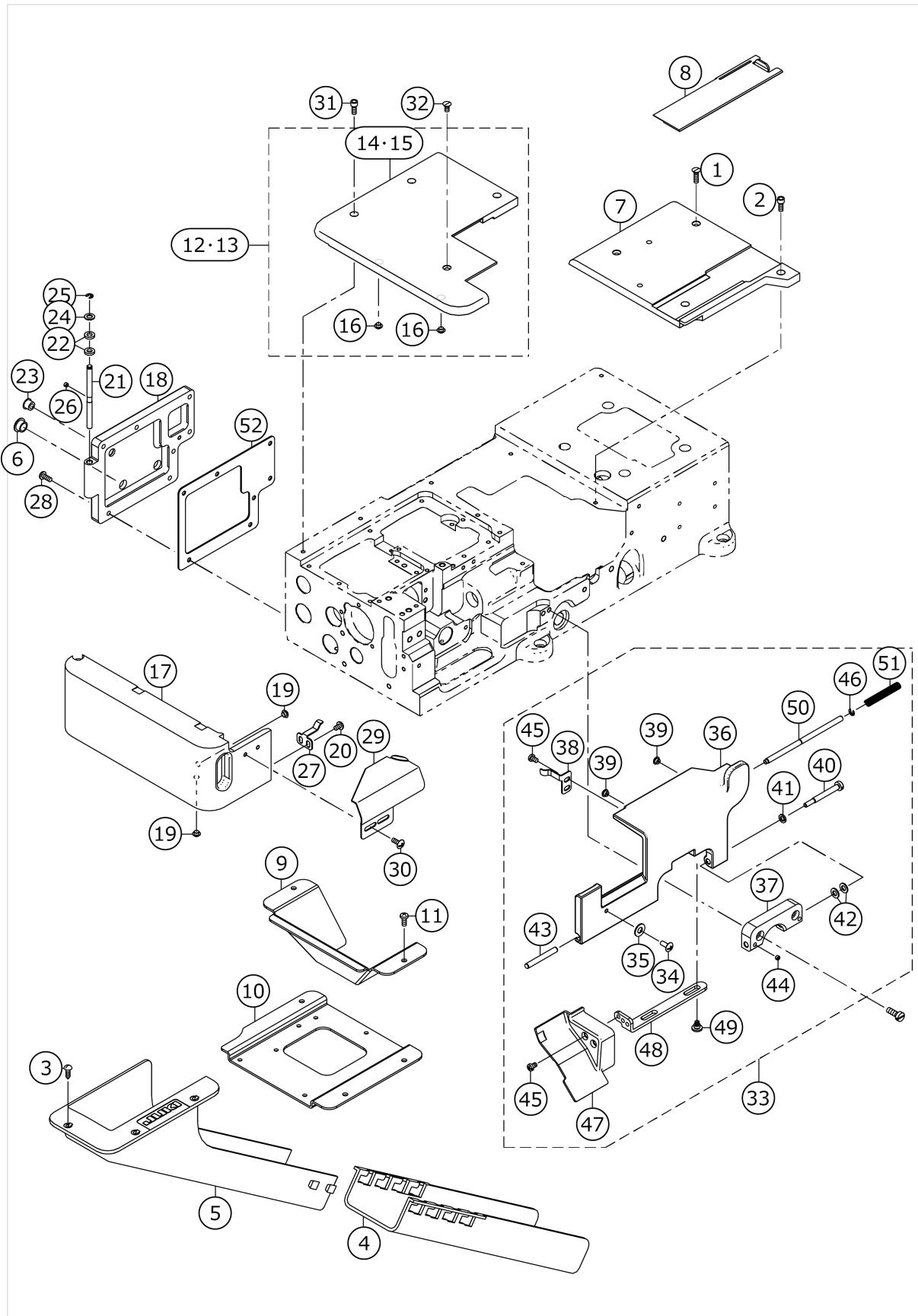


MF-7500-E11

MISCELLANEOUS COVER COMPONENTS

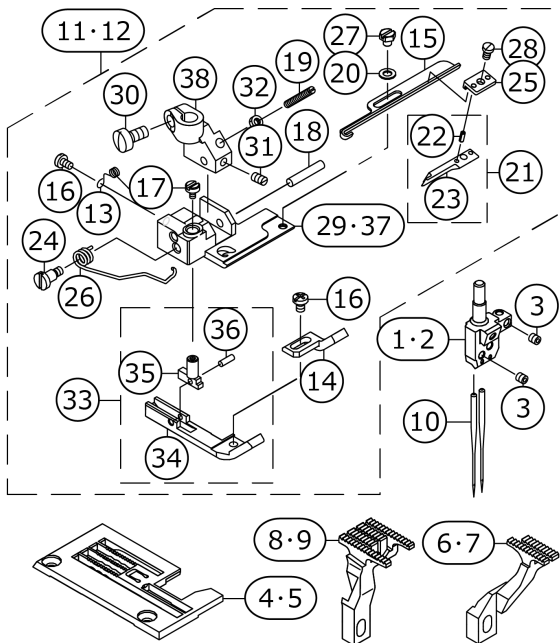


No.	品番	品名	備考	子部品	消耗品	個数
1	SM1041400SP	SCREW				2.00
2	SM6041002TP	SCREW M4X0.7 L=10				2.00
3	SK3412001SE	WOOD SCREW D=4.1 L=20				5.00
4	12341806	CLOTH WASTE CHUTE				1.00
5	40017248	DUST_SHOOT_UP				1.00
6	TA1050504R0	RUBBER PLUG				2.00
7	13303706	CLOTH PLATE RIGHT				1.00
8	13303805	SLIDE COVER				1.00
9	40071739	DUST_CHUTE				1.00
10	40071738	DUST_CHUTE_BRACKET				1.00
11	SM5041055SN	SCREW M4X10				3.00
12	70003502	ASSY_CLOTH_PLATE_LEFT_E11	WITH NO TC16			1.00
13	70003997	ASSY_CLOTH_PLATE_LEFT_TC	WITH TC16			1.00
14	70003503	CLOTH_PLATE_LEFT_E11	WITH NO TC16	*		1.00
15	70003999	CLOTH_PLATE_LEFT_TC	WITH TC16	*		1.00
16	13302302	RUBBER BUMPER		*		2.00
17	70003500	SIDE_COVER				1.00
18	70001659	FEED_CHAMBER_COVER				1.00
19	13302302	RUBBER BUMPER				2.00
20	SM4040655SP	SCREW M4 L=6				2.00
21	13305107	PIN_FOR_SIDE_COVER				1.00
22	13302708	RUBBER_WASHER				2.00
23	TA0850604R0	RUBBER PLUG				1.00
24	WP0550800SP	WASHER 5.5X10X0.8				1.00
25	RE0300000K0	E-RING 3				1.00
26	SM8040360TP	SCREW				1.00
27	13304308	LATCH SPRING				1.00
28	SM4041055SP	SCREW				7.00
29	40040542	GUIDE_CIRCLE				1.00
30	SM0041055SP	SCREW				2.00
31	SM6041002TP	SCREW M4X0.7 L=10				3.00
32	SM1040800SP	SCREW				1.00
33	70003495	ASSY_SWING_DOWN_COVER_E11				1.00
34	SM0041055SP	SCREW		*		1.00
35	WP0621016SD	WASHER 6.2X13X1		*		1.00
36	70003496	SWING_DOWN_COVER_E11		*		1.00
37	70004972	HINGE		*		1.00
38	40008947	LATCH_SPRING		*		1.00
39	13302302	RUBBER BUMPER		*		2.00
40	70001414	SCREW		*		1.00
41	WS0510002KP	SPRING WASHER 5.1X9.2X1.3		*		1.00
42	WP0531000SC	WASHER 5.3X10X1		*		2.00
43	PH0500400C0	PARALLEL PIN		*		1.00
44	SM8040412TP	SET SCREW M4 L=4		*		2.00
45	SM4040655SP	SCREW M4 L=6		*		4.00
46	RE0300000K0	E-RING 3		*		1.00
47	70003498	SLIP_COVER		*		1.00
48	40008939	PLATE_A		*		1.00
49	SD0600326TP	SHOULDER SCREW		*		2.00
50	40008940	SLIDE_SHAFT		*		1.00

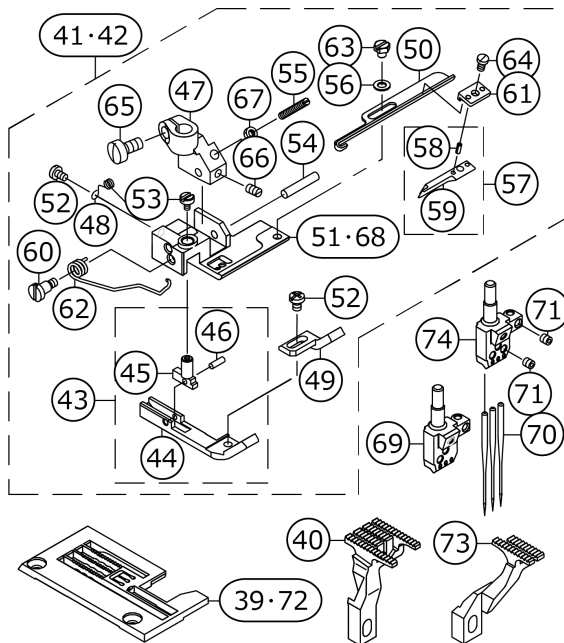
51	13101209	LOOPER COVER SPRING		*		1.00
52	13304001	GASKET F				1.00

GAUGE PARTS COMPONENTS

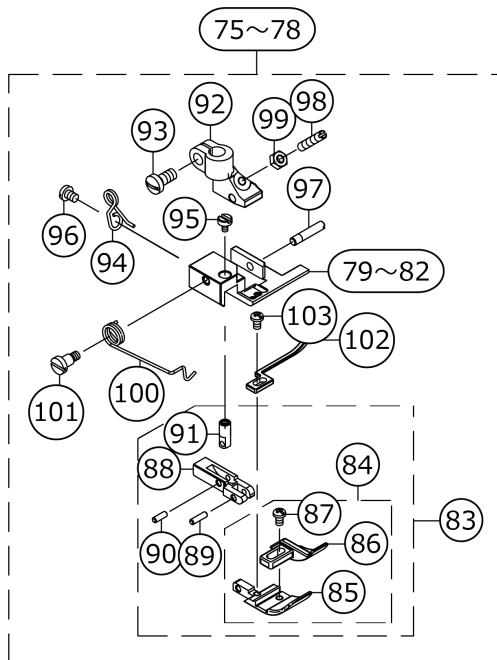
MF-7522-E11-B32
MF-7522-E11-B40



MF-7523-E11-B56
MF-7523-E11-B64



OPTION GAUGE PARTS



No.	品番	品名	備考	子部品	消耗品	個数
1	13350103	NEEDLE_HEAD_40	FOR MF-7522-E10-B40			1.00
2	13350004	NEEDLE_HEAD_32	FOR MF-7522-E10-B32			1.00
3	SM8030312TP	SCREW M3 L=3				3.00
4	40058580	THROAT_PLATE	FOR MF-7522-E10-B32			1.00
5	13356001	THROAT_PLATE	FOR MF-7522-E10-B40			1.00
6	40058582	DIFF_FEED_DOG	FOR MF-7522-E10-B32			1.00
7	13358106	DIFF_FEED_DOG	FOR MF-7522-E10-B40			1.00
8	40079714	MAIN FEED DOG	FOR MF-7522-E10-B32			1.00
9	40079715	MAIN FEED DOG	FOR MF-7522-E10-B40			1.00
10	MUY128S1000	NEEDLE				2.00
11	40058591	PRESSER_FOOT_32_ASSY	FOR MF-7522-E10-B32			1.00
12	40018288	PRESSER_FOOT_40_ASSY	FOR MF-7522-E10-B40			1.00
13	13376603	YIELDING_SECTION_SPRING		*		1.00
14	13377601	KNIFE_GUIDE		*		1.00
15	13377908	TAPE_GUIDE_LEFT		*		1.00
16	SM4030455SP	SCREW		*		2.00
17	13376702	THREAD_SPRING_SCREW		*		1.00
18	PH0300162C0	PARALLEL PIN 3X16		*		1.00
19	13376801	SCREW_FOR_PRESSER_FOOT		*		1.00
20	WP0320500SC	WASHER M3		*		1.00
21	40027528	TAPE_GUIDE_RIGHT_ASSY		*		1.00
22	PS0150042K0	SPRING PIN 1.5X 4		*		2.00
23	40027527	TAPE_GUIDE_RIGHT		*		1.00
24	13377809	GUIDE_SCREW		*		1.00
25	13378203	PLATE_TAPE_GUIDE		*		1.00
26	13377700	YIELDING_SECTION_SPRING		*		1.00
27	13378005	SCREW		*		1.00
28	SM6850400SP	SCREW M2.5 L=4		*		1.00
29	40058590	PRESSER_FOOT_BOTTOM_32	FOR MF-7522-E10-B32	*		1.00
30	SM7040800SL	SCREW		*		1.00
31	SM8030500SP	SCREW		*		1.00
32	NM6030001SD	NUT M3X0.5		*		1.00
33	13377551	YIELDING_SECTION_ASSY		*		1.00
34	13377502	YIELDING_SECTION		*		1.00
35	13377205	YIELDING_SECTION_SHANK		*		1.00
36	13377304	PIVOT_PIN		*		1.00
37	13376108	PRESSER_FOOT_BOTTOM_40	FOR MF-7522-E10-B40	*		1.00
38	13376504	PRESSER_FOOT_SHANK		*		1.00

39	13356209	THROAT_PLATE	FOR MF-7523-E10-B56			1.00
40	40079716	MAIN FEED DOG				1.00
41	40099964	PRESSER_FOOT_56_ASSY	FOR MF-7523-E10-B56			1.00
42	40018289	PRESSER_FOOT_56_ASSY	FOR MF-7523-E10-B64			1.00
43	13377551	YIELDING_SECTION_ASSY		*		1.00
44	13377502	YIELDING_SECTION		*		1.00
45	13377205	YIELDING_SECTION_SHANK		*		1.00
46	13377304	PIVOT_PIN		*		1.00
47	13376504	PRESSER_FOOT_SHANK		*		1.00
48	13376603	YIELDING_SECTION_SPRING		*		1.00
49	13377601	KNIFE_GUIDE		*		1.00
50	13377908	TAPE_GUIDE_LEFT		*		1.00
51	40099965	PRESSER_FOOT_BOTTOM_56	FOR MF-7523-E10-B56	*		1.00
52	SM4030455SP	SCREW		*		2.00
53	13376702	THREAD_SPRING_SCREW		*		1.00
54	PH0300162C0	PARALLEL PIN 3X16		*		1.00
55	13376801	SCREW_FOR_PRESSER_FOOT		*		1.00
56	WP0320500SC	WASHER M3		*		1.00
57	40027528	TAPE_GUIDE_RIGHT_ASSY		*		1.00
58	PS0150042K0	SPRING PIN 1.5X 4		*		2.00
59	40027527	TAPE_GUIDE_RIGHT		*		1.00
60	13377809	GUIDE_SCREW		*		1.00
61	13378203	PLATE_TAPE_GUIDE		*		1.00
62	13377700	YIELDING_SECTION_SPRING		*		1.00
63	13378005	SCREW		*		1.00
64	SM6850400SP	SCREW M2.5 L=4		*		1.00
65	SM7040800SL	SCREW		*		1.00
66	SM8030500SP	SCREW		*		1.00
67	NM6030001SD	NUT M3X0.5		*		1.00
68	13376207	PRESSER_FOOT_BOTTOM_56	FOR MF-7523-E10-B64	*		1.00
69	13350400	NEEDLE_HEAD_64	FOR MF-7523-E10-B64			1.00
70	MUY128S1000	NEEDLE				3.00
71	SM8030312TP	SCREW M3 L=3				4.00
72	13356308	THROAT_PLATE	FOR MF-7523-E10-B64			1.00
73	13358205	DIFF_FEED_DOG				1.00
74	13350301	NEEDLE_HEAD_56	FOR MF-7523-E10-B56			1.00
75	70003617	PRESSER_FOOT_32_ASSY	FOR MF-7522-E10-B32			1.00
76	70003619	PRESSER_FOOT_40_ASSY	FOR MF-7522-E10-B40			1.00
77	70003602	PRESSER_FOOT_56_ASSY	FOR MF-7523-E10-B56			1.00
78	70003621	PRESSER_FOOT_64_ASSY	FOR MF-7523-E10-B64			1.00

79	70003618	PRESSER_FOOT_BOTTOM_32	FOR MF-7522-E10-B32	*		1.00
80	70003620	PRESSER_FOOT_BOTTOM_40	FOR MF-7522-E10-B40	*		1.00
81	70003603	PRESSER_FOOT_BOTTOM_56	FOR MF-7523-E10-B56	*		1.00
82	70003622	PRESSER_FOOT_BOTTOM_64	FOR MF-7523-E10-B64	*		1.00
83	70003616	YIELDING_SECTION_ASSY		*		1.00
84	70003615	KNIFE GUIDE ASSY		*		1.00
85	70003604	YIELDING_SECTION_FRONT		*		1.00
86	70003609	KNIFE GUIDE		*		1.00
87	SM4850455SN	SCREW M2.5 L=4		*		1.00
88	70003605	YIELDING_SECTION		*		1.00
89	70003607	PIVOT_PIN		*		1.00
90	13377304	PIVOT_PIN		*		1.00
91	70003606	YIELDING_SECTION_SHANK		*		1.00
92	70003613	PRESSER_FOOT_SHANK		*		1.00
93	SM7040800SL	SCREW		*		1.00
94	70003612	YIELDING_SECTION_SPRING		*		1.00
95	13376702	THREAD_SPRING_SCREW		*		1.00
96	SM4030455SP	SCREW		*		1.00
97	70003614	PARALLEL_PIN		*		1.00
98	13376801	SCREW_FOR_PRESSER_FOOT		*		1.00
99	NM6030001SD	NUT M3X0.5		*		1.00
100	70003611	YIELDING_SECTION_SPRING		*		1.00
101	13377809	GUIDE_SCREW		*		1.00
102	70003610	TAPE_GUIDE_LEFT		*		1.00
103	SM4850455SN	SCREW M2.5 L=4		*		1.00

No.	品番	品名	備考	子部品	消耗品	個数
1	70003517	TRIMMER_BASE_ASSY				1.00
2	70003518	TRIMMER_BASE		*		1.00
3	40040613	BUSHING_FABRIC_TRIM_RIGHT		*		1.00
4	70004171	BUSHING_FABRIC_TRIM_RIGHT		*		1.00
5	SM6061402TP	SCREW M6 L=14				2.00
6	40040306	UPPER_KNIFE_SPRING				1.00
7	SM8050412TP	SCREW M5 L=4				1.00
8	40038091	LOWER_KNIFE				1.00
9	40040547	LOWER_KNIFE_PRESSER_PLATE				1.00
10	SM6051000SP	SCREW				1.00
11	70003506	MOVING_KNIFE_DRIVE_SHAFT				1.00
12	TA0400301M0	PLUG D=4X4.5 L=3				1.00
13	CQ202000000	COTTON OIL WICK D=2				0.11
14	RE0700000K0	E-RING 7				1.00
15	70003483	MOVING_KNIFE				1.00
16	SM6030500SN	SCREW M3 L=5				1.00
17	70003510	FABRIC_CHIP_GUARD				1.00
18	SM4030455SP	SCREW				2.00
19	SM6051400SP	SCREW				1.00
20	40040535	ADJUST_PLATE				1.00
21	40040536	ADJUST_SCREW				1.00
22	SM4030455SP	SCREW				1.00
23	70003511	MOVING_KNIFE_BASE				1.00
24	PH0150065C0	PIN				1.00
25	SM8050612TP	SCREW M5X6				1.00
26	13334909	BUSHING_NDL_GUARD_A				1.00
27	13335005	BUSHING_NDL_GUARD_B				1.00
28	13335203	OIL_SEAL				1.00
29	70003514	FIXED_KNIFE_BASE_ASSY				1.00
30	70003515	FIXED_KNIFE_BASE		*		1.00
31	70003516	FIXED_KNIFE_BASE_SHAFT		*		1.00
32	70003513	LOWER_KNIFE_BASE				1.00
33	SM6041050TP	SCREW				1.00
34	SD0600406TP	SHOULDER_SCREW				1.00
35	70003512	ADJUST_PIN				1.00
36	70003509	MOVING_KNIFE_SHAFT				1.00
37	CS0800881TP	THRUST_COLLAR				2.00
38	SM8050412TP	SCREW M5 L=4				2.00
39	70003508	MOVING_KNIFE_DRIVE_LINK				1.00
40	CQ200000001	OIL_WICK				0.10
41	70003484	OIL_WICK_PLATE				1.00
42	SM4030455SN	SCREW				1.00
43	70003507	PIVOT_SHAFT				1.00
44	70003494	MOVING_KNIFE_DRIVE_CAM_ASSY				1.00
45	70003505	MOVING_KNIFE_DRIVE_CAM		*		1.00
46	13334107	NDL_GUARD_CONN_ROD		*		1.00
47	SM6041202TP	SCREW M4X0.7 L=12		*		2.00
48	SM8060612TP	SCREW M6 L=6		*		2.00
49	SM8040412TP	SET_SCREW M4 L=4		*		1.00
50	13334206	NDL_GUARD_DRIVE_LEVER				1.00

51	SM8050412TP	SCREW M5 L=4				2.00
52	WP1021026SH	WASHER				1.00
53	13334305	PIN NDL GUARD				1.00

HOW TO MAKE USE OF THIS PARTS LIST

1.Explanation of codes

1)"*"mark.....means this part is changed from the previous parts book.

As to the details of the change, refer to the "List for information of change".

2)"#01".....refer to "Note" explanation at bottom of page.

2.Codes on the "Qty" column

· Each numeral indicates the number of parts required.

· "0.1" and "2.5" indicate the length (in meters) of the respective parts.

3.Parentheses mean that the corresponding part is a subpart that constructs an assembly part.

4.Dotted lines on the Figures indicate assembly parts.