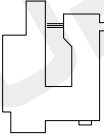

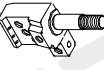
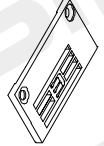
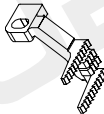
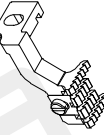
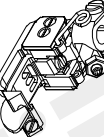
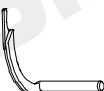
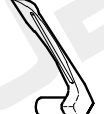

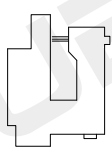

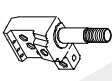
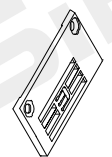
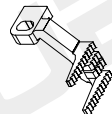
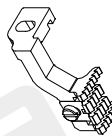
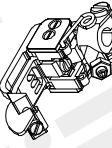
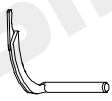




筒車規格件表 / CONVERSION CHART

MODEL	SUB-CLASS	NEEDLE CLAMP	NEEDLE PLATE	MAIN FEED DOG	DIFF. FEED DOG	PRESSER FOOT	SPREADER	LOOPER	NEEDLE
									
機 型	規 格	針 座	針 板	主送具	差送具	押 具	上 叉	勾 針	針 號
C007K-W121 C858K /CH	232 240 248 348 356 364	M5232K M5240K M5248K M5348K M5356K M5364K	E5232K E5240K E5248K E5348K E5356K E5364K			P5232K-A P5240K-A P5248K-A P5348K-A P5356K-A P5364K-A	MH41		
C007K-U121 C858K /CH/UTP(UTR)	240 248 348 356 364	M5240K M5248K M5348K M5356K M5364K	E5240K E5248K E5348K E5356K E5364K	D5356K	H5356K-E	P5240K-A P5248K-A P5348K-A P5356K-A P5364K-A	MH41	MT01	UY*128GAS#10
C007K-U121 C858K /CH/UTQ(UTS)			E5240K E5248K E5348K E5356K E5364K						
C007K-W122 C858K /CH			E5240KM E5248KM E5348KM E5356KM E5364KM				MH41		
C007K-U122 C858K /CH			E5240KM E5248KM E5348KM E5356KM E5364KM						

筒車規格件表 / CONVERSION CHART

MODEL	SUB-CLASS	NEEDLE CLAMP	NEEDLE PLATE	MAIN FEED DOG	DIFF. FEED DOG	PRESSER FOOT	SPREADER	LOOPER	NEEDLE
									
機 型	規 格	針 座	針 板	主送具	差送具	押 具	上 叉	勾 針	針 號
C007K -W122 C858K CH/UTP(UTR)			E5240KMM E5248KMM E5348KMM E5356KMM E5364KMM				MH41		
C007K -U122 C858K CH/UTQ(UTS)	240 248 348 356 364	M5240K M5248K M5348K M5356K M5364K	E5240KMM E5248KMM E5348KMM E5356KMM E5364KMM	D5356K D5356K D5356K D5356K D5356K	H5356K-E H5356K-E H5356K-E H5356K-E H5356K-E	P5240K-A P5248K-A P5348K-A P5356K-A P5364K-A			
C007K -W123 C858K /CH			E5240KHH E5248KHH E5348KHH E5356KHH E5364KHH				MH41	MT01	UY*128GAS#10
C007K -U123 C858K /CH			E5240KHH E5248KHH E5348KHH E5356KHH E5364KHH						
C007K -W132 C858K /CHE	240 248 356 364	M5240K M5248K M5356K M5364K	E5240DDM E5248DDM E5356DDM E5364DDM	D5240D D5240D D5356D D5356D	H5240D H5240D H5356D H5356D	P2904-A P2905-A P2906-A P2907-A	MH41		
C007K -W132 C858K CHE/UTP(UTR)	356 364	M5356K M5364K	E5356DDM E5364DDM	D5356D	H5356D	P2906-A P2907-A	MH41		

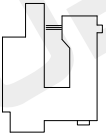


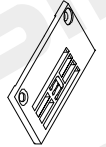
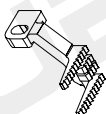
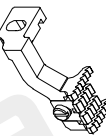
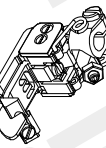

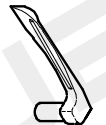

簡單規格件表 / CONVERSION CHART

機型	規格	針座	針板	主送具	差送具	押具	上叉	勾針	針號	
C007K-W152 C858K /CZ/UTP/RLQ	356 364	M5356K M5364K	E5356LM E5364LM	D5356G D5364G	H5356L H5364L	P2416-A P2417-A	— MH41	MT01	UY*128GAS#10	
C007K-U152 C858K /CZ/CLA/UTP/RLQ	240 248 348 356 364	M5240K M5248K M5348K M5356K M5364K	E5240KHA E5248KHA E5348KHA E5356KHA E5364KHA	D5356K D5356K D5356K D5356K D5356K	H5356K-E H5356K-E H5356K-E H5356K-E H5356K-E	P5240K-A P5248K-A P5348K-A P5356K-A P5364K-A	— MH41	— MH41	— MH41	— MH41
C007K-U162 C858K /UTP (UTR)	240 248 348 356 364	M5240K M5248K M5348K M5356K M5364K	E5240KHA E5248KHA E5348KHA E5356KHA E5364KHA	D5356K D5356K D5356K D5356K D5356K	H5356K-E H5356K-E H5356K-E H5356K-E H5356K-E	P5240K-A P5248K-A P5348K-A P5356K-A P5364K-A	— MH41	— MH41	— MH41	— MH41
C007K-U162 C858K /UTQ (UTS)	240 248 348 356 364	M5240K M5248K M5348K M5356K M5364K	E5240KHA E5248KHA E5348KHA E5356KHA E5364KHA	D5356K D5356K D5356K D5356K D5356K	H5356K-E H5356K-E H5356K-E H5356K-E H5356K-E	P5240K-A P5248K-A P5348K-A P5356K-A P5364K-A	— MH41	— MH41	— MH41	— MH41

筒車規格/件表 /CONVERSION CHART

機型 MODEL	規格 SUB-CLASS	針座 NEEDLE CLAMP	針板 NEEDLE PLATE	主送具 MAIN FEED DOG	差送具 DIFF. FEED DOG	押具 PRESSER FOOT	上叉 SPREADER	勾針 LOOPER	針號 NEEDLE
C007K-W222 C858K /CQ	240	M5240K	E5240GM	D5356G	H5356G	P1814-A P1815-A P2116-A P2117-A	MH41	MT01A	UY*128GAS#10
	248	M5248K	E5248GM						
	356	M5356K	E5356GM						
C007K-U222 C858K /CQ	364	M5364K	E5364GM						
C007K-W322 C858K /CC/UTP(UTR)	356	M5356K	E5356AM	D5356D	H5356A	P2456-A P2457-A	MH41	MT01	UY*128GAS#10
			E5364AM						
			E5356AM						
C007K-U322 C858K /CC/UTQ(UTS)	364	M5364K	E5364AM						
C007K-W322 C858K /CE	364	M5364K	E5356AM	D5356K	H5356A	P2456-A P2457-A	MH41	MT01	UY*128GAS#10
			E5364AM						
			E5356AM						
C007K-U322 C858K /CE	364	M5364K	E5356AM	D5356K	H5356A	P2456-A P2457-A	MH41	MT01	UY*128GAS#10
			E5364AM						
			E5356AM						
C007K-W322 C858K /CE/UTP(UTR)	364	M5364K	E5356AM	D5356K	H5356A	P2456-A P2457-A	MH41	MT01	UY*128GAS#10
			E5364AM						
			E5356AM						
C007K-U322 C858K /CE/UTQ(UTS)	364	M5364K	E5356AM	D5356K	H5356A	P2456-A P2457-A	MH41	MT01	UY*128GAS#10
			E5364AM						
			E5356AM						

筒車規格件表 / CONVERSION CHART

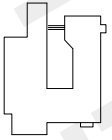

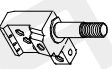
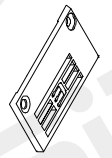
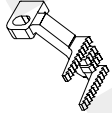
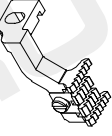
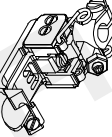
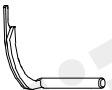
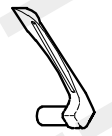


MODEL	SUB-CLASS	NEEDLE CLAMP	NEEDLE PLATE	MAIN FEED DOG	DIFF. FEED DOG	PRESSER FOOT	SPREADER	LOOPER	NEEDLE
									
機 型	規 格	針 座	針 板	主 送 具	差 送 具	押 具	上 叉	勾 針	針 號
C007K-W922 C858K /CW	456 464	M5456K M5464K	E5456KM E5464KM	D5456K	H5456K	P5456K-A P5464K-A	MH41	MT01B	SM1014B#10
C007K-W122 C858K /CQA/CLA	356	M5356K	E2326Q	D2110	H2220Q	P2906Q-A	MH41	MT01A	TVX5 #14
C007K-W152 C858K /CZP/UTP/RLQ	356 364	M5356K M5364K	E5356LM E5364LM	D5356G D5364G	H5356L H5364L	P2416-A P2417-A	MH41	MT01	UY*128GAS#10
C007K-W152 C858K /CZP/CLA/UTP/RLQ							—		
C007K-W152 C858K /CZP/CLA/UTP/RLQ							—		

註：C007K-W812A/W813A

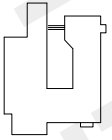

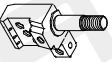
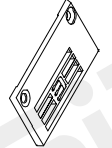
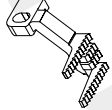
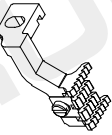
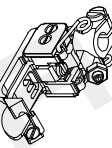
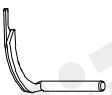
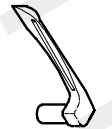


C007K-W812/W813

機型之針板與差送具為5排齒。
機型之針板與差送具為4排齒。

直驅筒車規格件表/CONVERSION CHART

MODEL	SUB-CLASS	NEEDLE CLAMP	NEEDLE PLATE	MAIN FEED DOG	DIFF. FEED DOG	PRESSER FOOT	SPREADER	LOOPER	NEEDLE	Motor
										
C007KD C858KD /CH	-W121 232 240 248 348 356 364	M5232K M5240K M5248K M5348K M5356K M5364K	E5232KL E5240KL E5248KL E5348KL E5356KL E5364KL	D5356K D5356K D5356K D5356K D5356K D5356K	H5356K-E H5356K-E H5356K-E H5356K-E H5356K-E H5356K-E	P5232K-A P5240K-A P5248K-A P5348K-A P5356K-A P5364K-A	MH41	MT01	UY*128GAS#10	T501HE
C007KD C858KD /CH/UTP(UTR)	-W121 240 248 348 356 364	M5240K M5248K M5348K M5356K M5364K	E5240KL E5248KL E5348KL E5356KL E5364KL	D5356K D5356K D5356K D5356K D5356K	H5356K-E H5356K-E H5356K-E H5356K-E H5356K-E	P5240K-A P5248K-A P5348K-A P5356K-A P5364K-A	MH41	MT01	UY*128GAS#10	T501HE
C007KD C858KD /CH	-W122	M5240K M5248K M5348K M5356K M5364K	E5240KM E5248KM E5348KM E5356KM E5364KM	D5356K D5356K D5356K D5356K D5356K	H5356K-E H5356K-E H5356K-E H5356K-E H5356K-E	P5240K-A P5248K-A P5348K-A P5356K-A P5364K-A	MH41	MT01	UY*128GAS#10	T501HE
C007KD C858KD /CH	-U122	M5240K M5248K M5348K M5356K M5364K	E5240KM E5248KM E5348KM E5356KM E5364KM	D5356K D5356K D5356K D5356K D5356K	H5356K-E H5356K-E H5356K-E H5356K-E H5356K-E	P5240K-A P5248K-A P5348K-A P5356K-A P5364K-A	—	MT01	UY*128GAS#10	T501HE

直驅筒車規格件表 / CONVERSION CHART

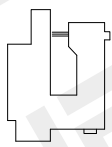
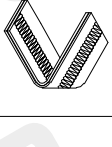
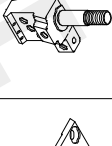
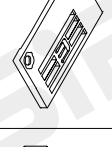
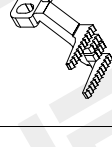
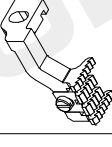
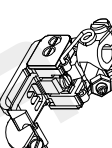
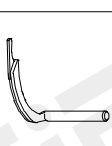



MODEL	SUB-CLASS	NEEDLE CLAMP	NEEDLE PLATE	MAIN FEED DOG	DIFF. FEED DOG	PRESSER FOOT	SPREADER	LOOPER	NEEDLE	Motor
										
機 型	規 格	針 座	針 板	主送具	差送具	押 具	上 叉	勾 針	針 號	馬 達
C007KD-W122 C007KD-UTP(UTR) CH/UTP(UTR)	240 248 348 356 364	M5240K M5248K M5348K M5356K M5364K	E5240KM E5248KM E5348KM E5356KM E5364KM	D5356K D5356K D5356K D5356K D5356K	H5356K-E H5356K-E H5356K-E H5356K-E H5356K-E	P5240K-A P5248K-A P5348K-A P5356K-A P5364K-A	MH41			
C007KD-W122 C858KD-UTS) CH/UTQ(UTS)	240 248 348 356 364	M5240K M5248K M5348K M5356K M5364K	E5240KM E5248KM E5348KM E5356KM E5364KM	D5356K D5356K D5356K D5356K D5356K	H5356K-E H5356K-E H5356K-E H5356K-E H5356K-E	P5240K-A P5248K-A P5348K-A P5356K-A P5364K-A	—			
C007KD-W123 C858KD /CH	240 248 356 364	M5240K M5248K M5356K M5364K	E5240KH E5248KH E5348KH E5356KH E5364KH	D5240D D5240D D5356D D5356D	H5240D H5240D H5356D H5356D	P2904-A P2905-A P2906-A P2907-A	MH41			
C007KD-W132 C858KD /CHE	240 248 356 364	M5240K M5248K M5356K M5364K	E5240DM E5248DM E5356DM E5364DM	D5240D D5240D D5356D D5356D	H5240D H5240D H5356D H5356D	P2904-A P2905-A P2906-A P2907-A	MH41			
C007KD-W132 C858KD CHE/UTP(UTR)	356 364	M5356K M5364K	E5356DM E5364DM	D5356D	H5356D	P2906-A P2907-A	MH41			
C007KD-U131 C858KD CHK/UTP(UTR)	248 256 264	M5248K M5356K M5364K	E5248DM E5356DM E5364DM	D5356K D5356K D5356K	H5356K-E H5356K-E H5356K-E	P5348K-A P5356K-A P5364K-A	—			
MT01 UY*128GAS#10										T501HE

直驅筒車規格件表/CONVERSION CHART

MODEL	SUB-CLASS	NEEDLE CLAMP	NEEDLE PLATE	MAIN FEED DOG	DIFF. FEED DOG	PRESSER FOOT	SPREADER	LOOPER	NEEDLE	Motor
C007KD -W152 C858KD /CZ/UTP/RLQ	356 364	M5356K M5364K	E5356LM E5364LM	D5356G D5364G	H5356L H5364L	P2416-A P2417-A	— MH41	MT01	UY*128GAS#10	馬達
C007KD -W162 C858KD /CZ/CLA/UTQ/RLQ	240 248 348 356 364	M5240K M5248K M5348K M5356K M5364K	E5240KH E5248KH E5348KH E5356KH E5364KH	D5356K D5356K D5356K D5356K D5356K	H5356K-E H5356K-E H5356K-E H5356K-E H5356K-E	P5240K-A P5248K-A P5348K-A P5356K-A P5364K-A	— MH41	MT01A	TV*5#14~16	馬達
C007KD -W162 C858KD /UTP (UTR)	—	—	—	—	—	—	MH41	—	—	馬達
C007KD -U162 C858KD /UTQ (UTS)	—	—	—	—	—	—	—	—	—	馬達

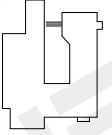


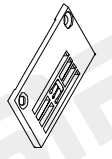
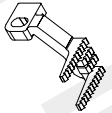
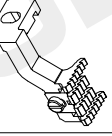
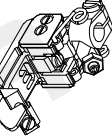
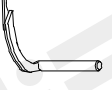
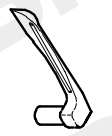

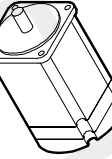
☐ T501HE

直驅筒車規格件表 / CONVERSION CHART

MODEL	SUB-CLASS	NEEDLE CLAMP	NEEDLE PLATE	MAIN FEED DOG	DIFF. FEED DOG	PRESSER FOOT	SPREADER	LOOPER	NEEDLE	Motor
										
C007KD-W222 C858KD /CQ	240 248 356 364	M5240K M5248K M5356K M5364K	E5240GM E5248GM E5356GM E5364GM	D5240G D5240G D5240G D5356G	H5240G H5240G H5240G H5356G	P1814-A P1815-A P2116-A P2117-A	MH41	MT01A	UY*128GAS#10	馬達 Motor
C007KD-U222 C858KD /CQ	356	M5356K	E5356EM	D5356D	H5356E	P2906Q-A	MH41	MT01A	TV*5 #14	
C007KD-W322 C858KD /CC	356 364	M5356K M5364K	E5356AM E5364AM	D5356K	H5356A	P2456-A P2457-A	MH41	MT01	UY*128GAS#10	
C007KD-W322 C858KD /CC/UTP(UTR)			E5356AM E5364AM		H5356A		MH41			
C007KD-U322 C858KD /CC/UTQ(UTS)			E5356AM E5364AM		H5356A		—			
C007KD-W322 C858KD /CE	356	M5356K M5364K	E5356BM E5364BM	D5356K	H5356B	P2456-A P2457-A	MH41	MT01	UY*128GAS#10	
C007KD-U322 C858KD /CE			E5356BM E5364BM		H5356B		—			
C007KD-W322 C858KD CE/UTP(UTR)	356	M5356K M5364K	E5356BM E5364BM	D5356K	H5356B	P2456-A P2457-A	MH41	MT01	UY*128GAS#10	
C007KD-U322 C858KD /CE/UTQ(UTS)			E5356BM E5364BM		H5356B		—			

☐ T501HE

直驅筒車規格件表 / CONVERSION CHART

										
MODEL	SUB-CLASS	NEEDLE CLAMP	NEEDLE PLATE	MAIN FEED DOG	DIFF. FEED DOG	PRESSER FOOT	SPREADER	LOOPER	NEEDLE	Motor
機 型	規 格	針 座	針 板	主 送 具	差 送 具	押 具	上 叉	勾 針	針 號	馬 達
C007KD-W922 C858KD /CW	456 464	M5456K M5464K	E5456KM E5464KM	D5456K	H5456K	P5456K-A P5464K-A	MH41	MT01B	SM1014B#10 (Mx1014B#70.Sy7256)	馬 達 T501HE
C007K-W122 C858K /CQA/CLA	356	M5356K	E2326Q	D2110	H2220Q	P2906Q-A	MH41	MT01A	TVX5 #14	
C007KD-W152 C858KD /CZP/UTP/RLQ	356 364	M5356K M5364K	E5356LM E5364LM	D5356G D5364G	H5356L H5364L	P2416-A P2417-A	MH41	MT01	UY*128GAS#10	馬 達 T501HE
C007KD-U152 C858KD /CZP/CLA/UTP/RLQ							—			

註：C007KD-W812A/W813A

C007KD-W812/W813

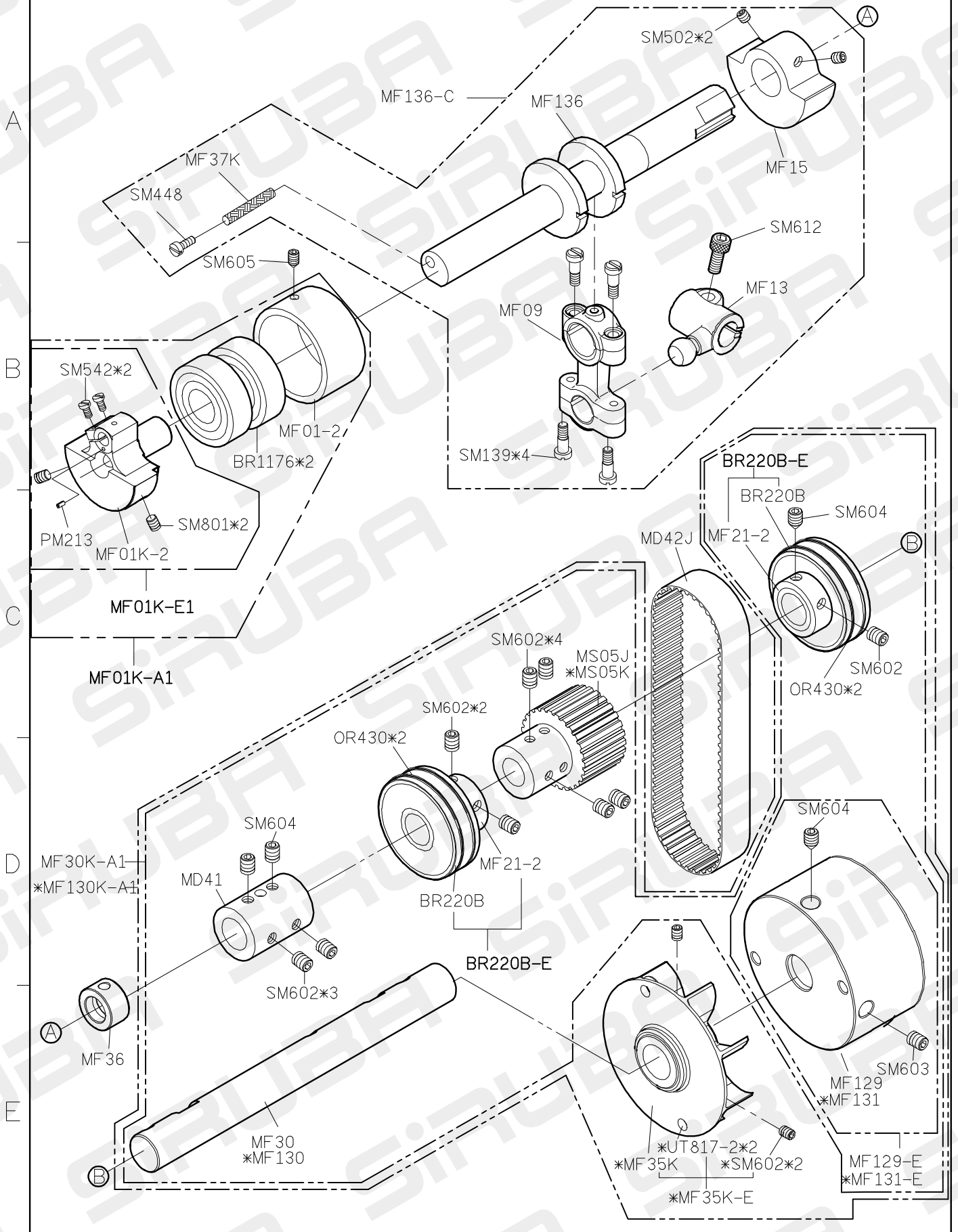
機型之針板與差送具為5排齒，C007KD-W812A/W813A

機型之針板與差送具為4排齒，C007KD-W812/W813

機型之針板與差送具為5排齒，

機型之針板與差送具為4排齒。

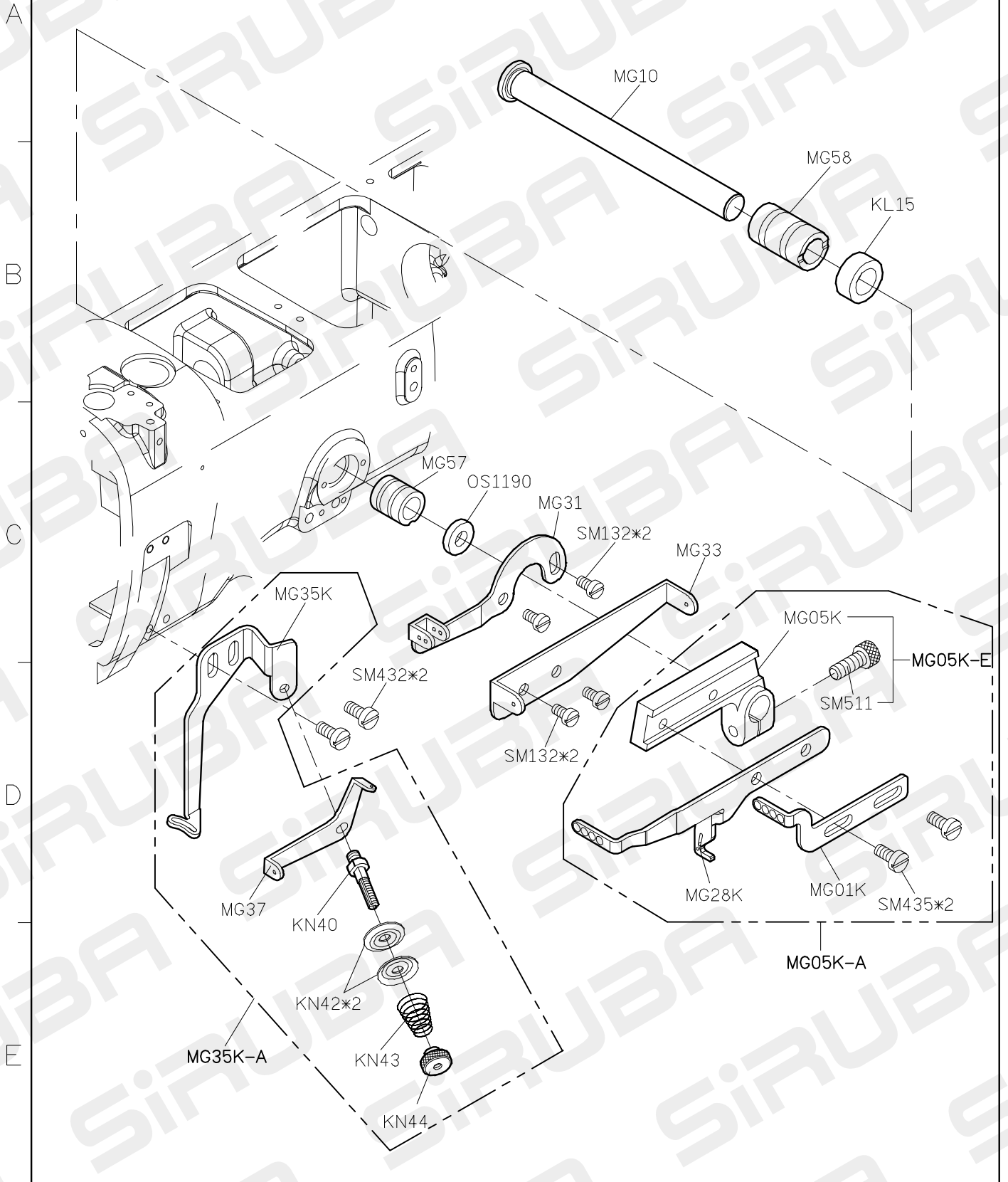
C007KD PARTS LIST FOR MF GROUP P.1/1



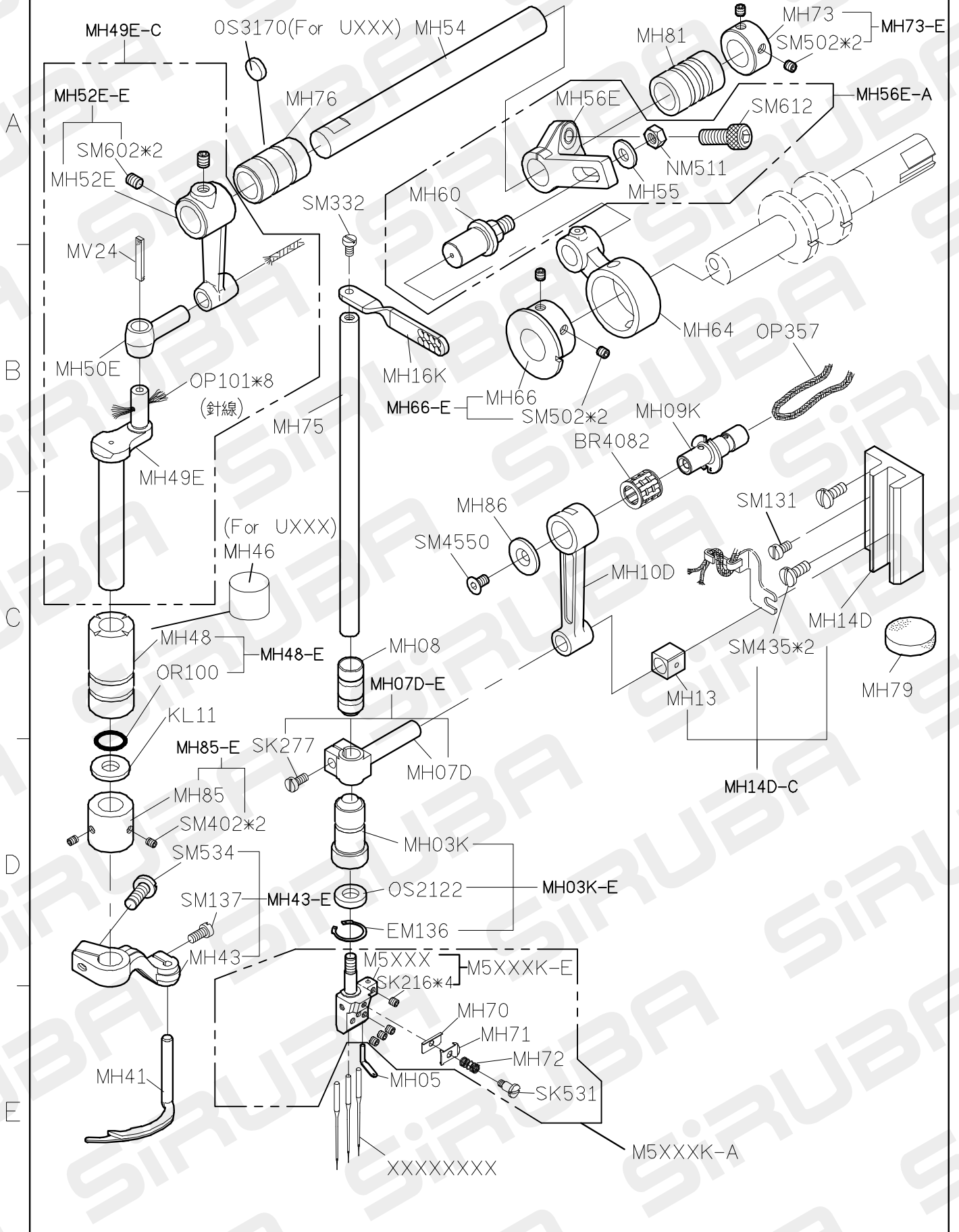
FOR C007K/C007KD/C858K/C858KD
 * USE FOR C007KD/C858KD

11/03/18

C007KD PARTS LIST FOR MG GROUP P.1/1

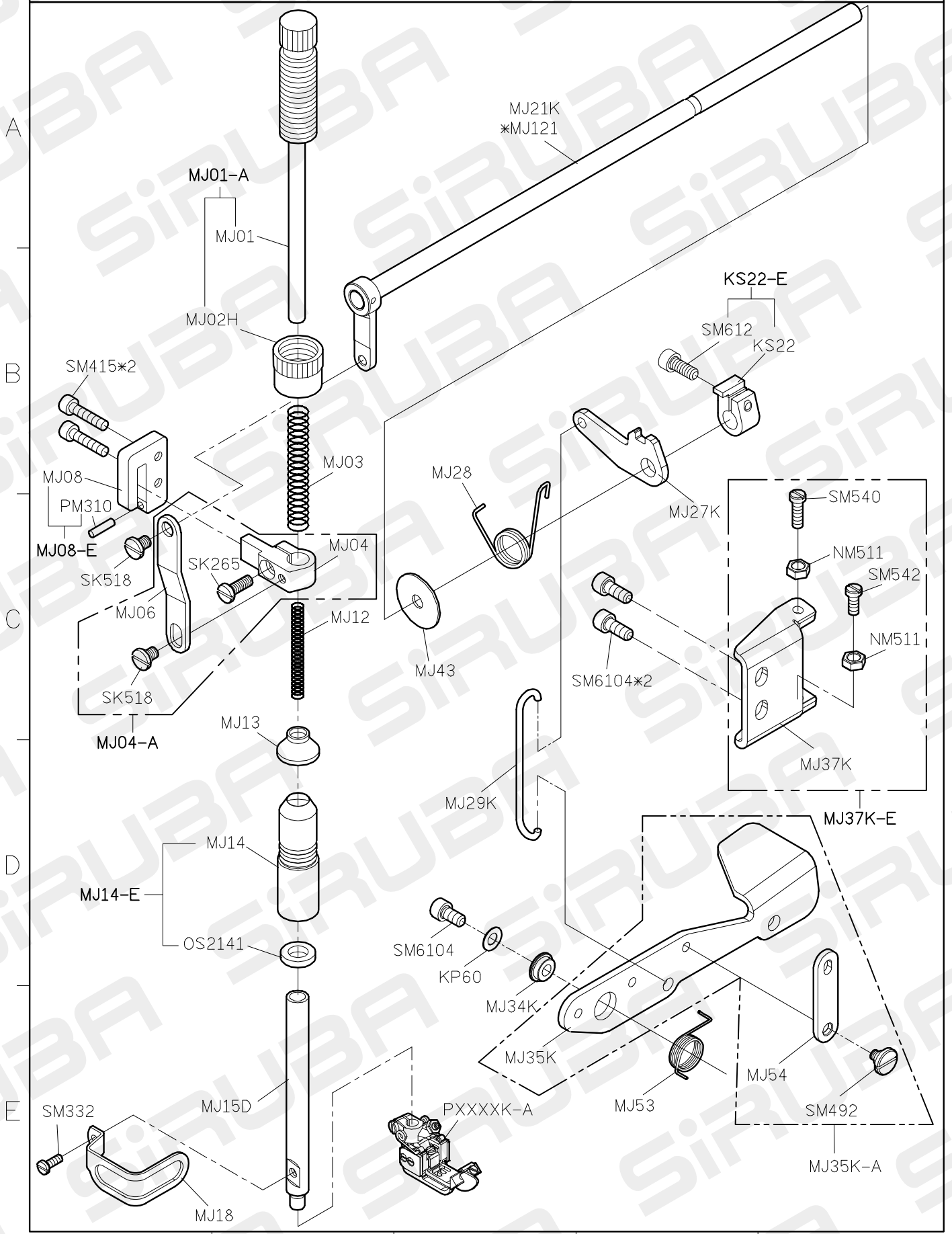


C007KD PARTS LIST FOR MH GROUP P.1/1



FOR C007K/C007KD/C858K/C858KD

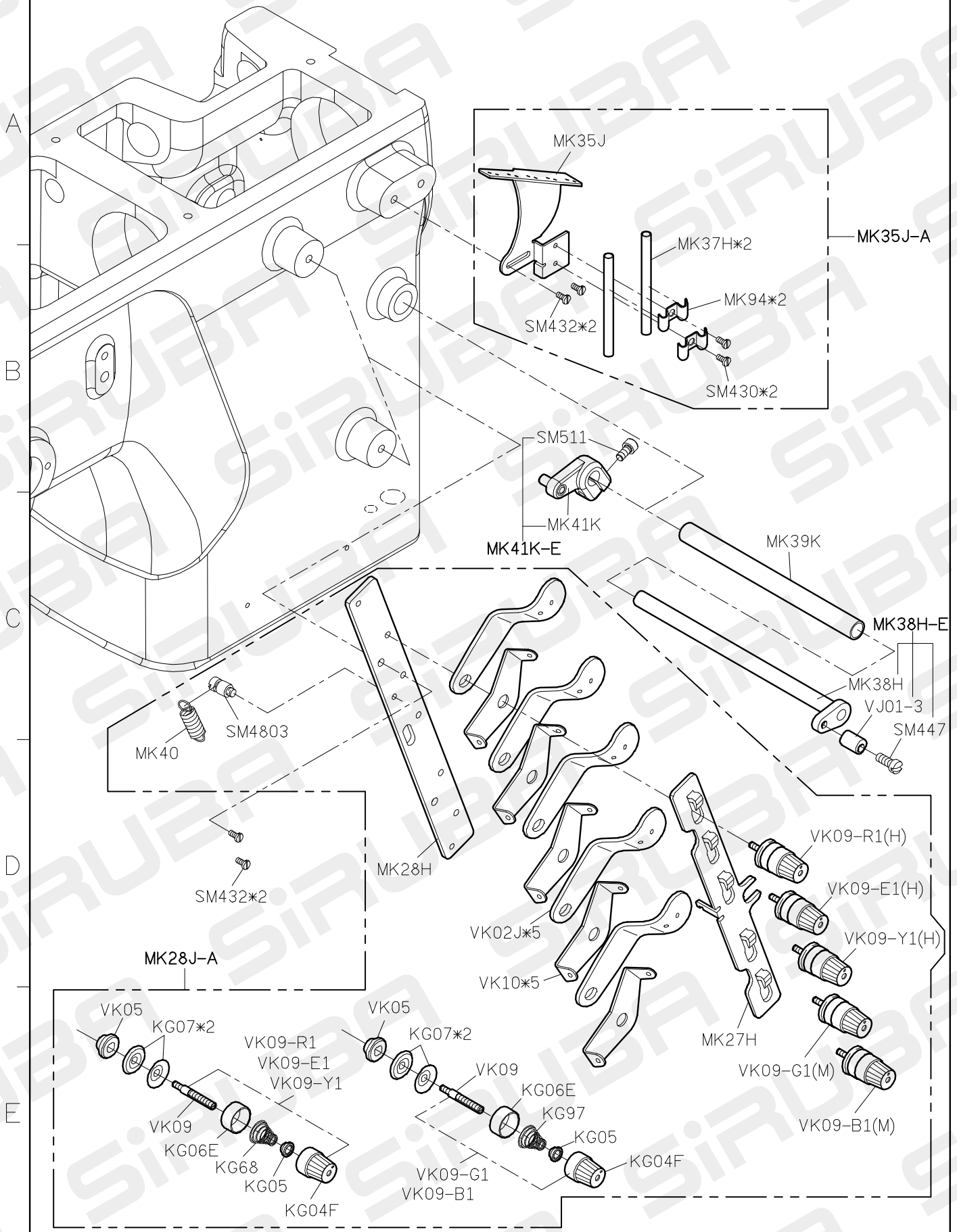
C007KD PARTS LIST FOR MJ GROUP P.1/1



FOR C007K/C007KD/C858K/C858KD
 *USE FOR C007KD/C858KD

11/03/18

C007KD PARTS LIST FOR MK GROUP P.1/1



C007KD PARTS LIST FOR MN GROUP P.1/2

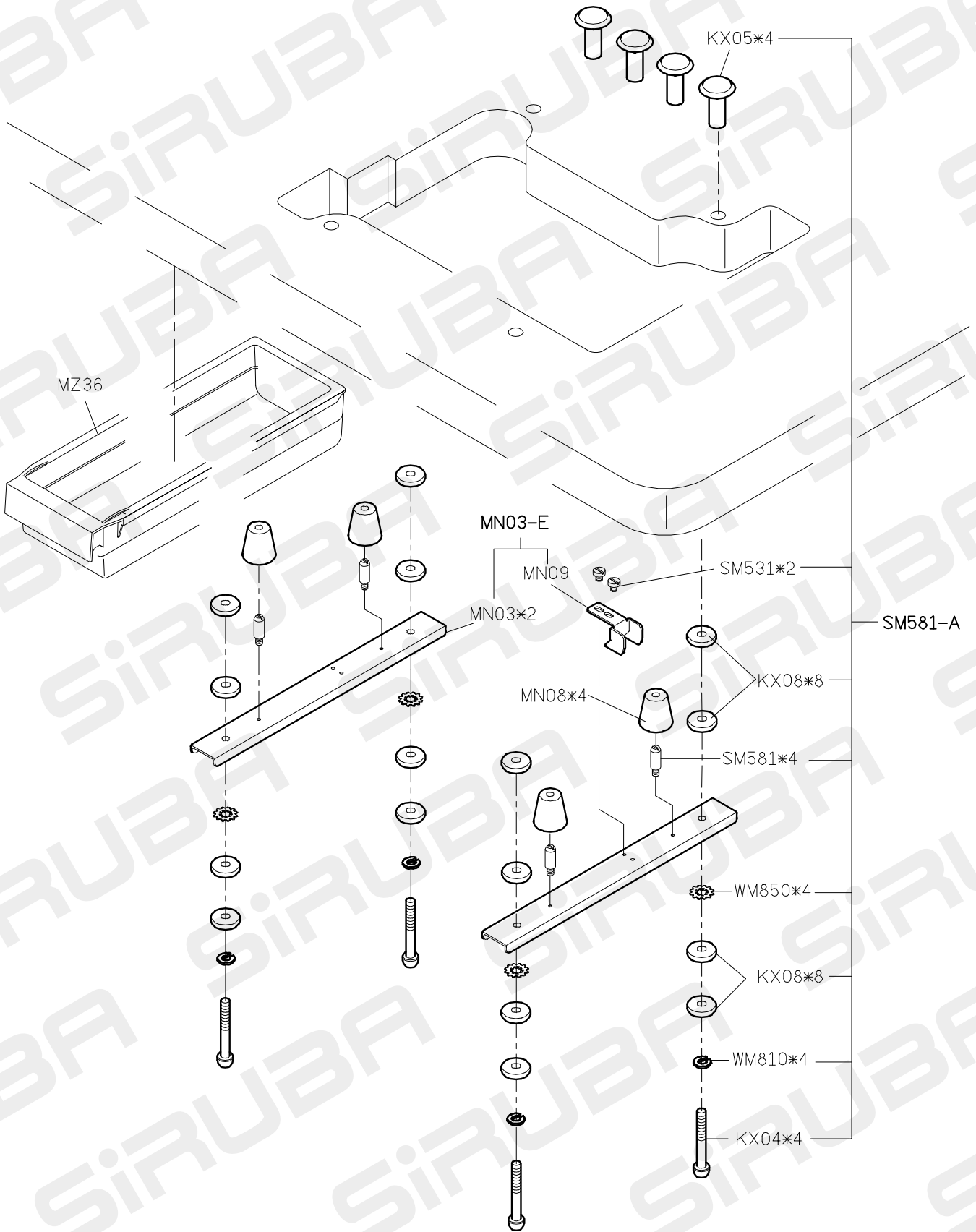
A

B

C

D

E



1

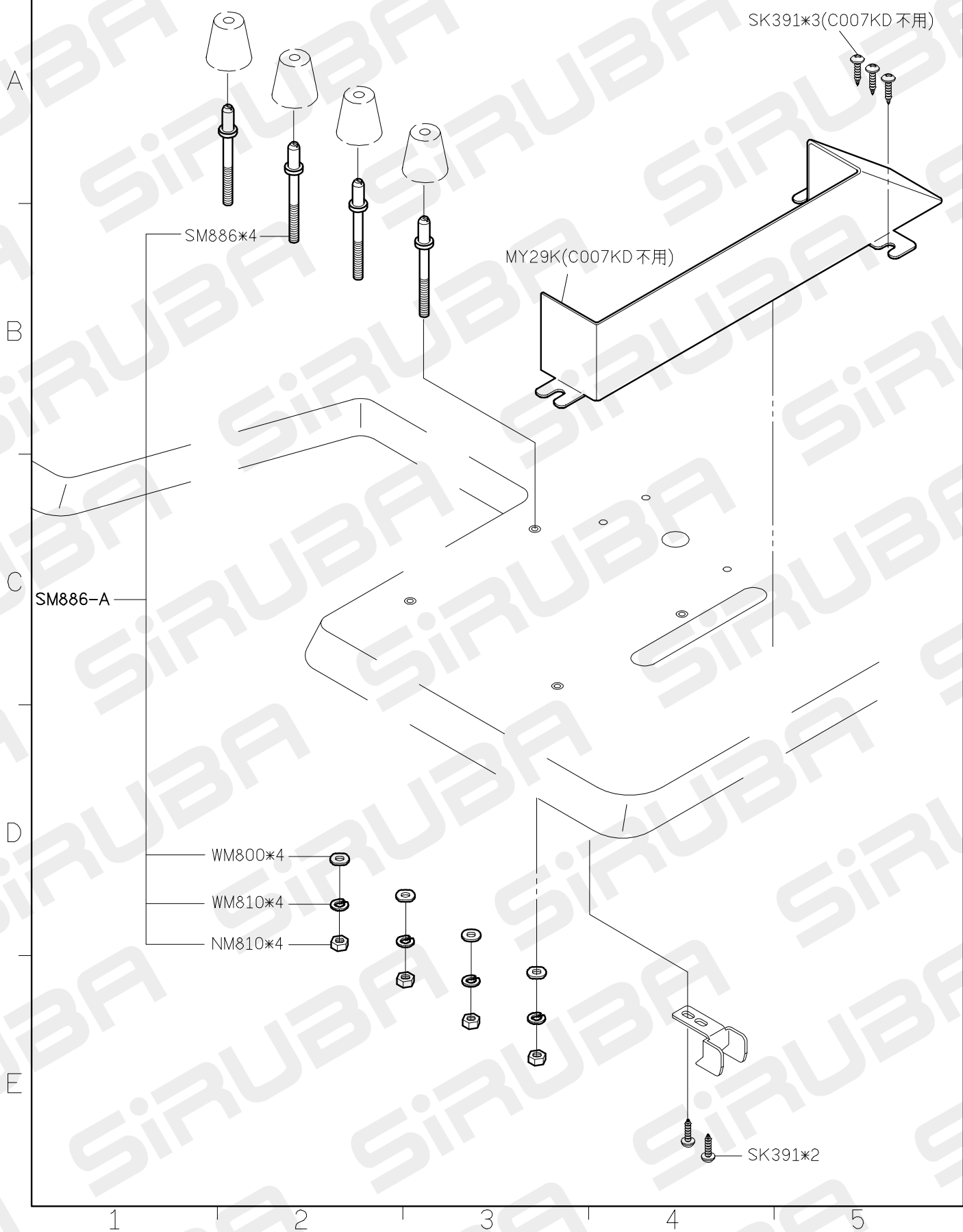
2

3

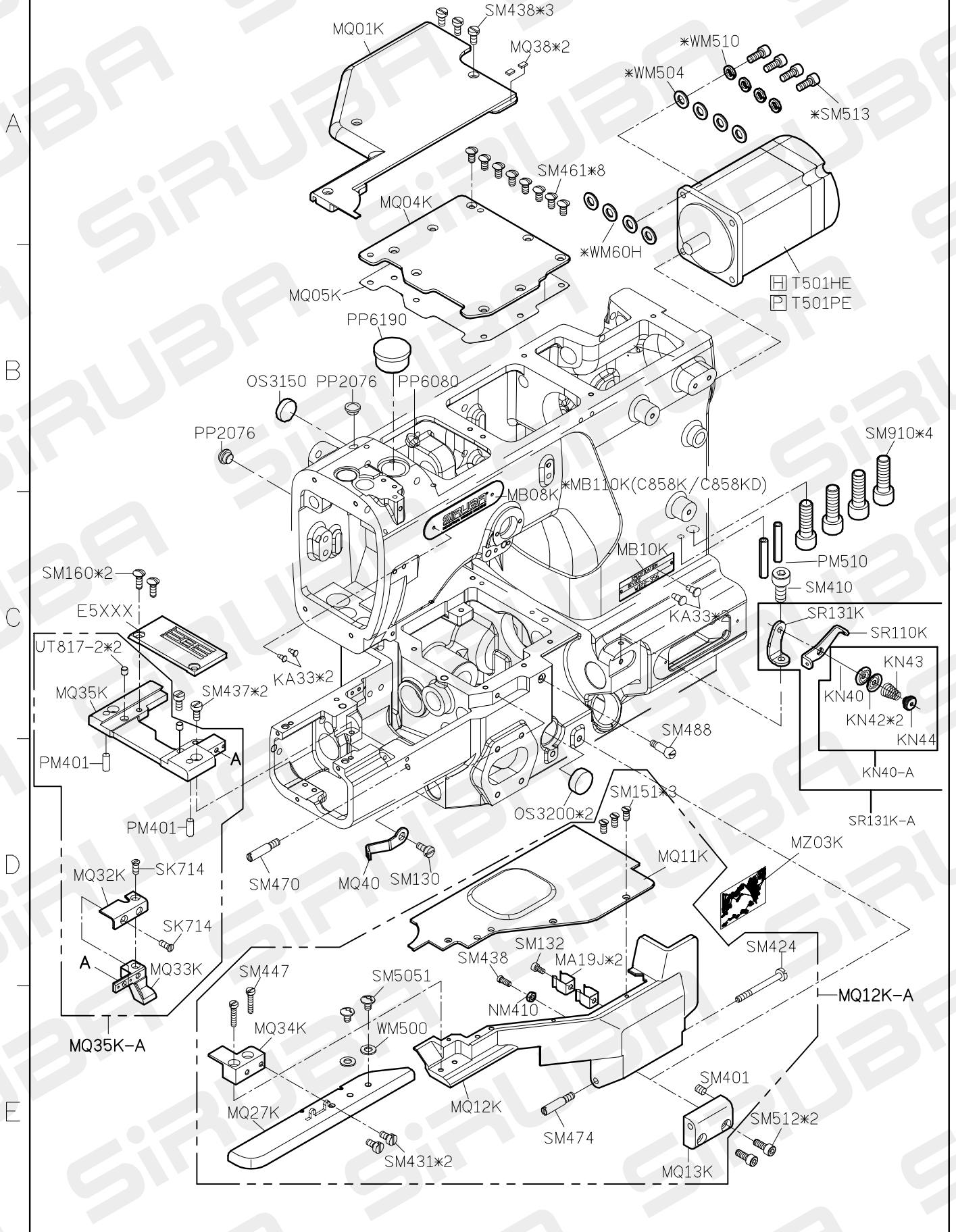
4

5

C007KD PARTS LIST FOR MN GROUP P.2/2



C007KD PARTS LIST FOR MQ GROUP P.1/1



A

B

C

D

E

1

2

3

4

5

FOR C007K/C007KD/C858K/C858KD □ FOR C007KD/C858KD H牌馬達
 * USE FOR C007KD/C858KD □ FOR C007KD/C858KD P牌馬達

* 適用於針板為 E5XXXR/E5XXXMA

11/03/18

C007KD PARTS LIST FOR MS GROUP P.1/1

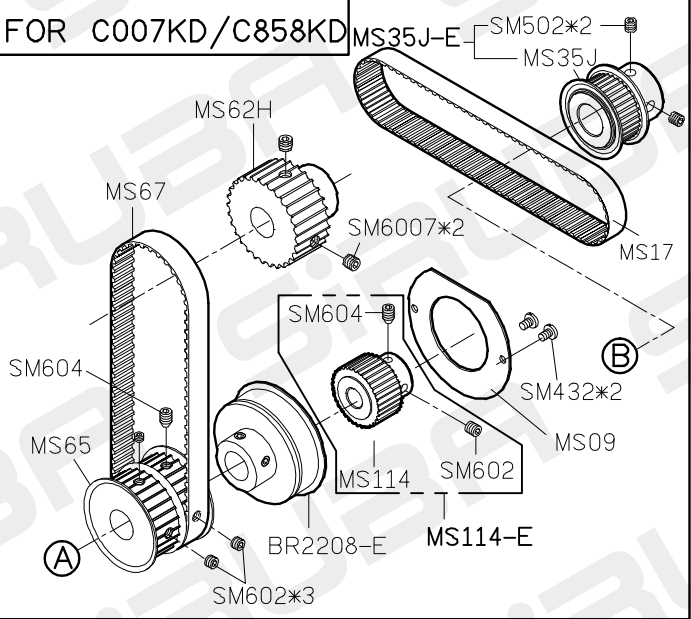
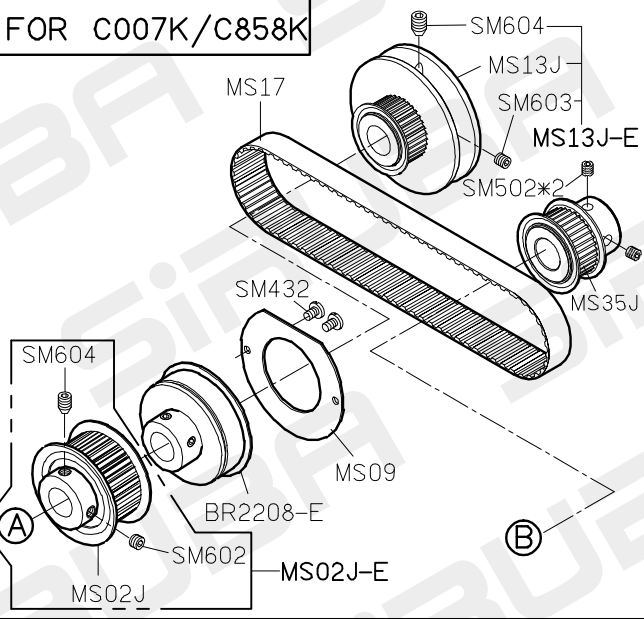
FOR C007K/C858K

FOR C007KD/C858KD

MS35J-E SM502*2 MS35J

A

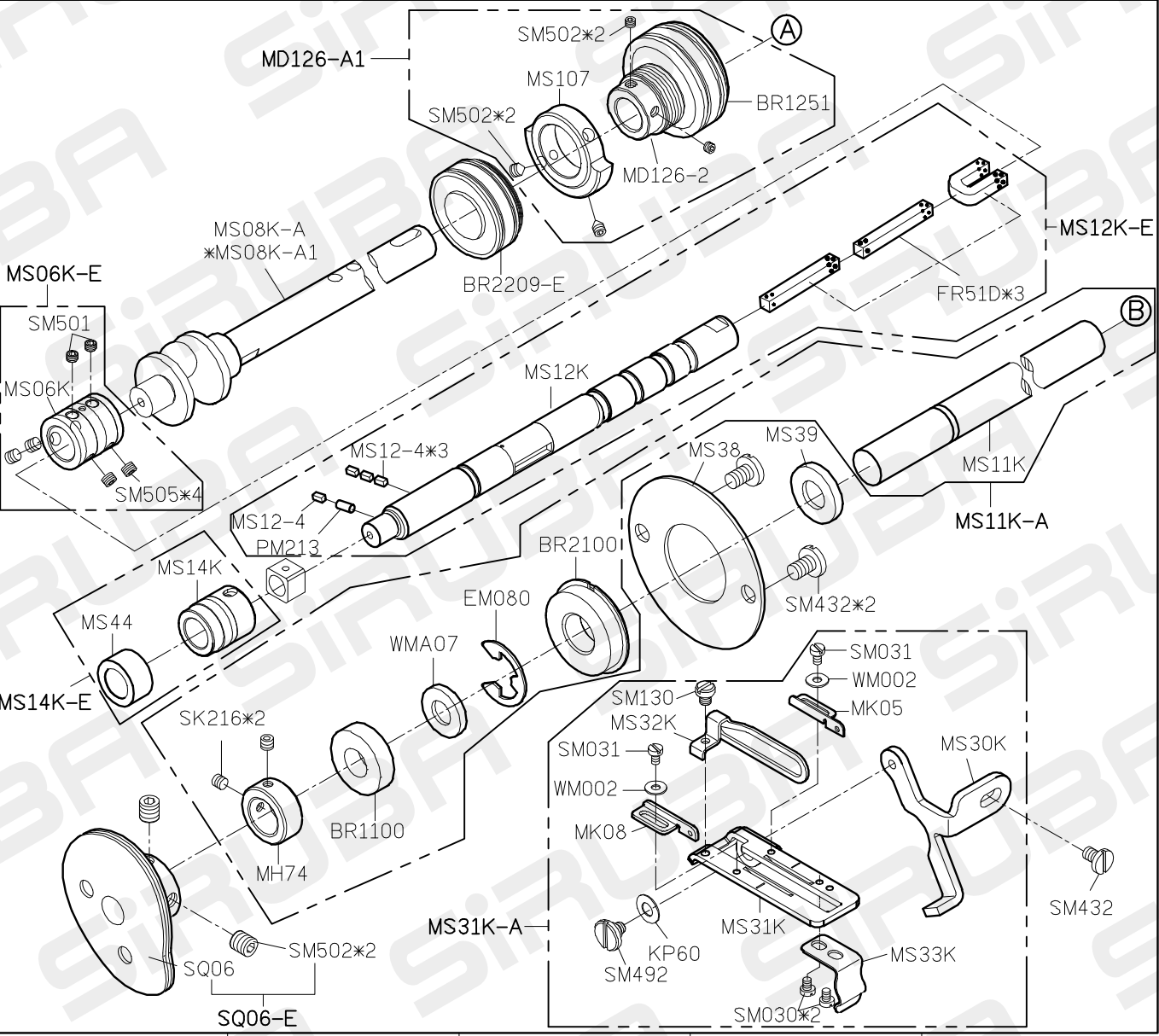
B



C

D

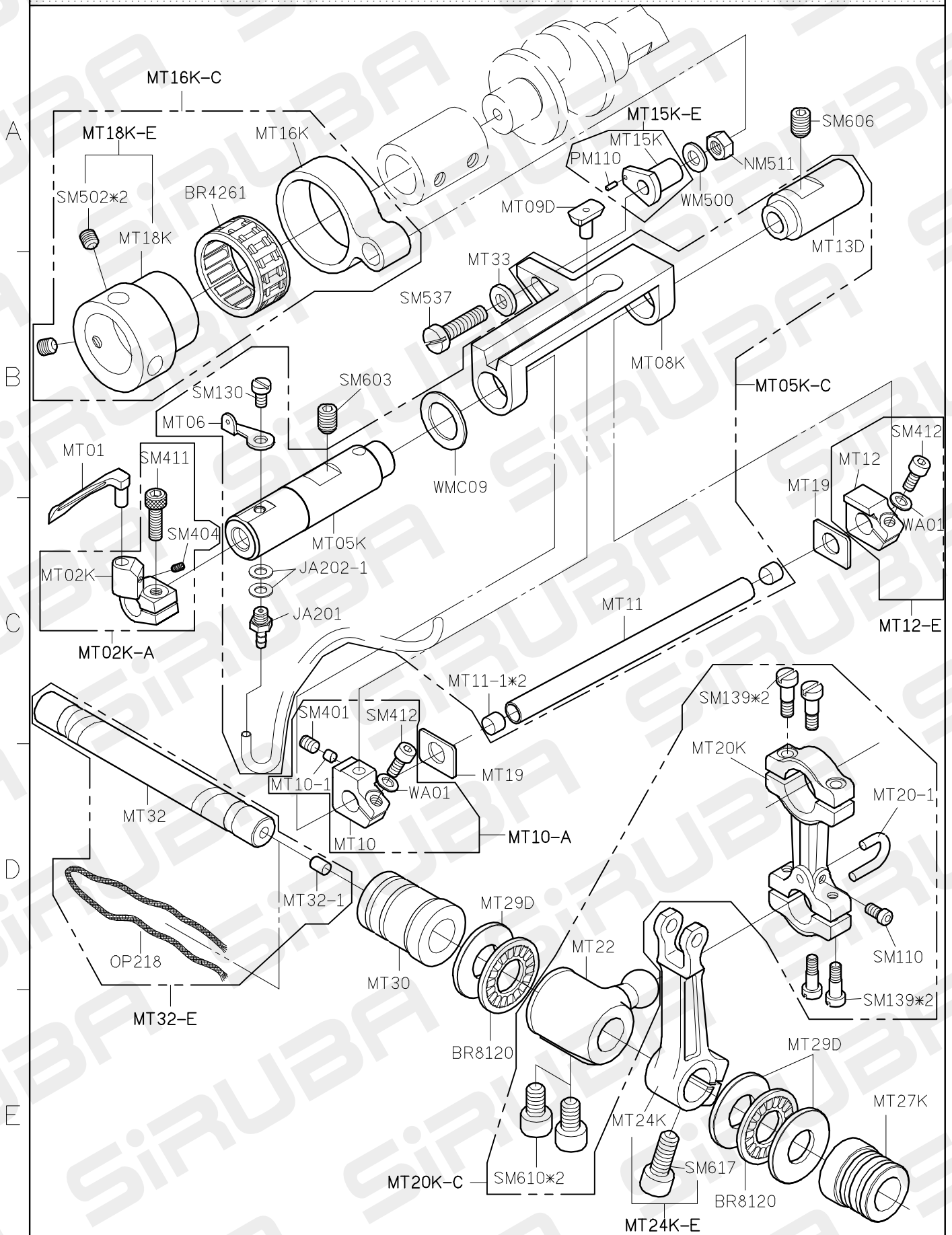
E



FOR C007K/C007KD/C858K/C858KD
*USE FOR C007KD/C858KD

11/03/18

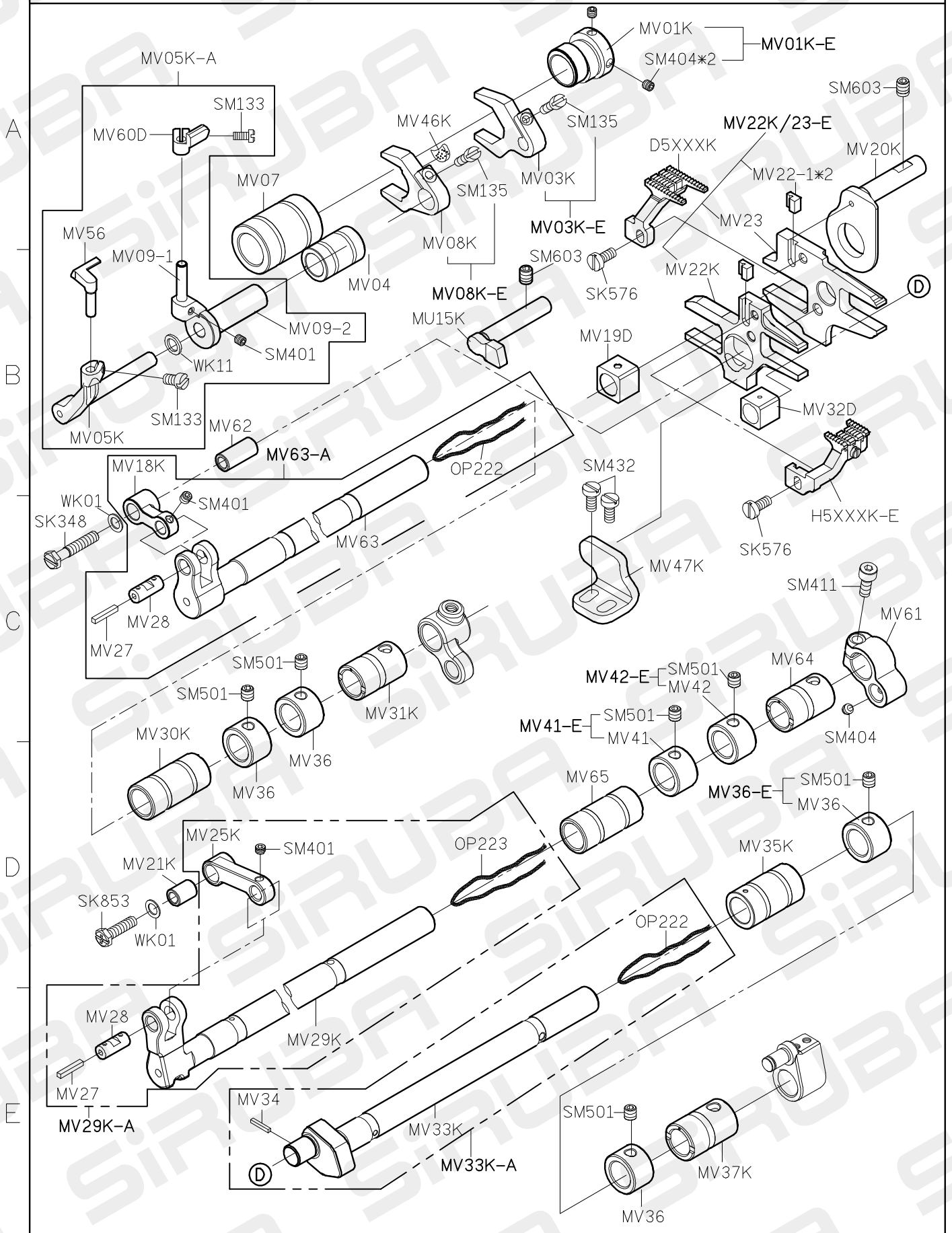
C007KD PARTS LIST FOR MT GROUP P.1/1



1 2 3 4 5

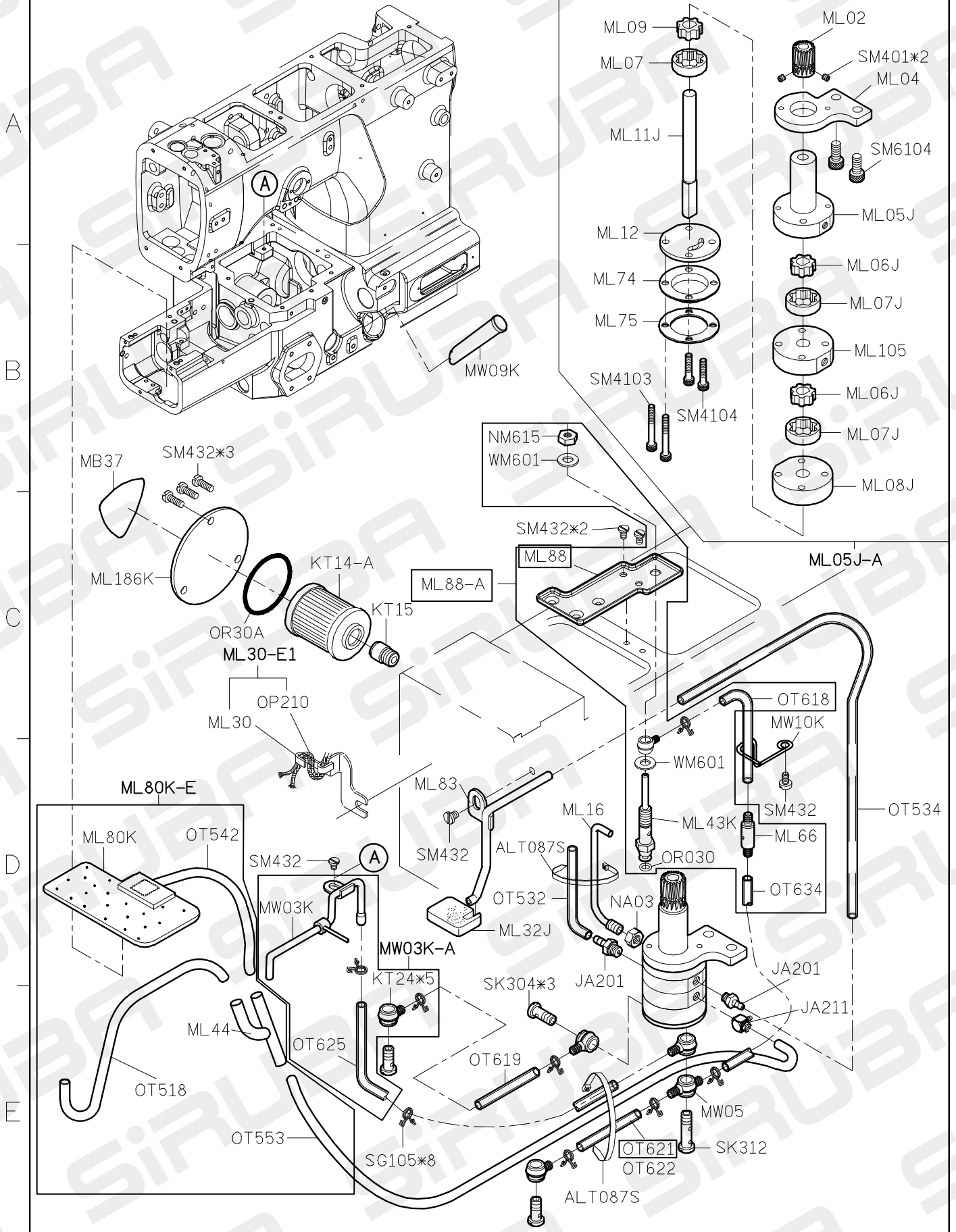
C007KD PARTS LIST

FOR MV GROUP P.1/1



C007KD PARTS LIST

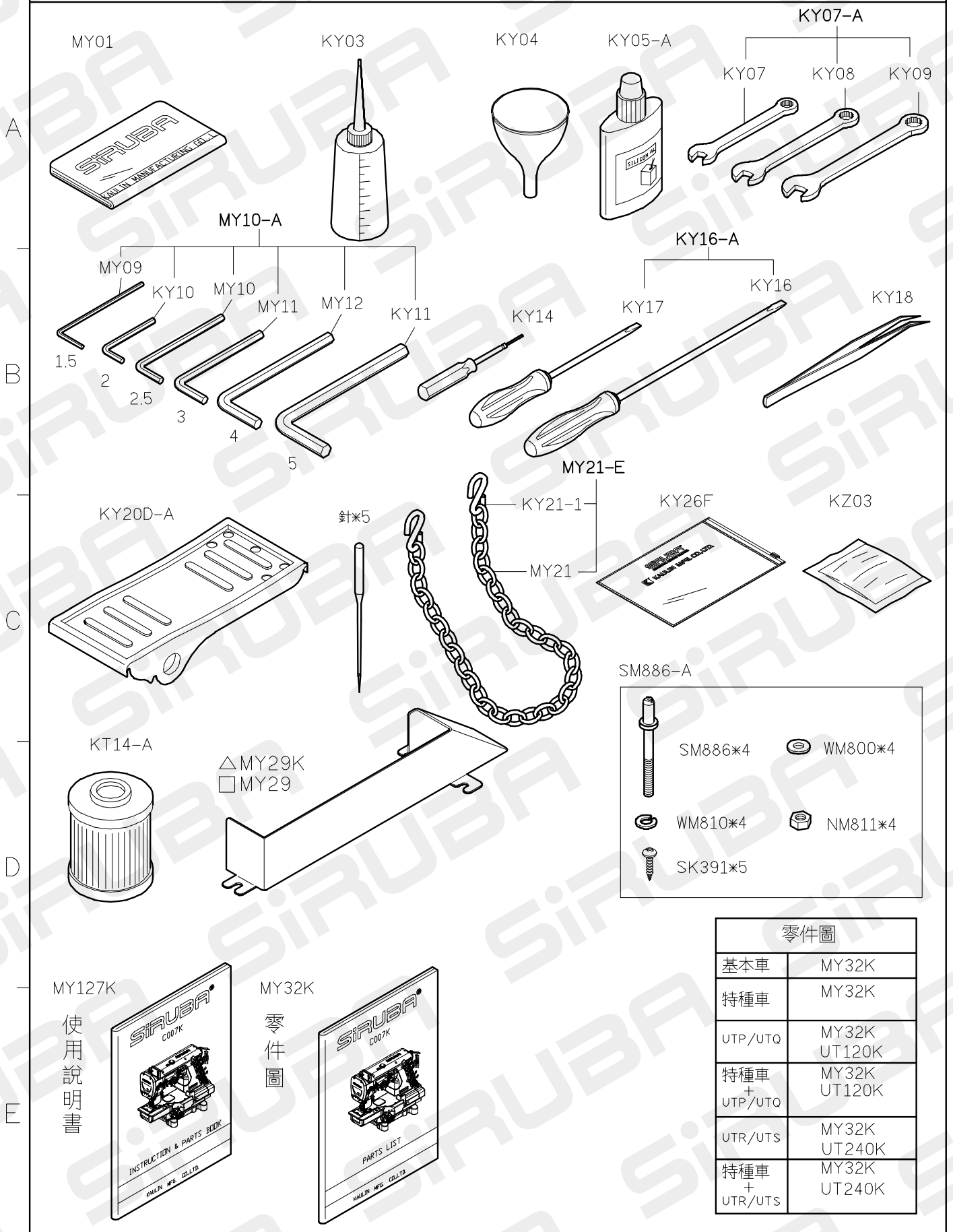
FOR MW GROUP P.1/1



FOR C007K/C007KD/C858K/C858KD
 *USE FOR C007KD/C858KD

11/03/18

C007KD PARTS LIST FOR MY GROUP P.1/1

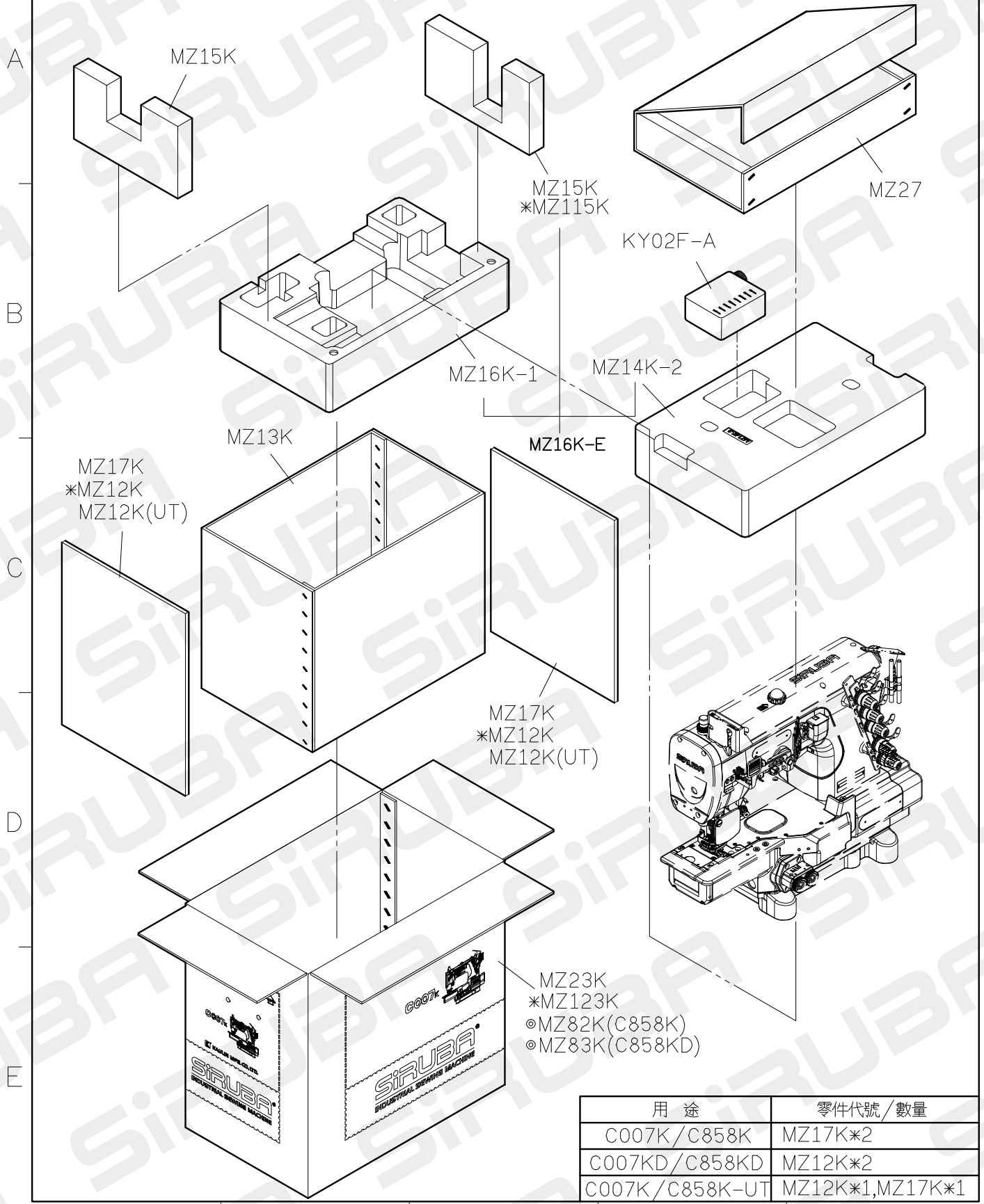


零件圖	
基本車	MY32K
特種車	MY32K
UTP/UTQ	MY32K UT120K
特種車 + UTP/UTQ	MY32K UT120K
UTR/UTS	MY32K UT240K
特種車 + UTR/UTS	MY32K UT240K

FOR C007K/C007KD/C858K/C858KD

△USE FOR C007K/C858K ONLY □USE FOR C007E/C007H ONLY

C007KD PARTS LIST FOR MZ GROUP P.1/1



用途	零件代號/數量
C007K/C858K	MZ17K*2
C007KD/C858KD	MZ12K*2
C007K/C858K-UT	MZ12K*1,MZ17K*1

FOR C007K/C858K
 *USE FOR C007KD/C858KD ⊙USE FOR C858K/C858KD

TABLE CUT-OUT OF C007K-T1

三針簡單半乘桌板圖

C007J/C007JD/C007K/C007KD/C858K/C858KD/S007K/S007KD SERIES TABLE CUT-OUT SEMI-SUBMERGED

單位/UNIT:mm

FOR一般車及自動切線

所有尺寸公差/DIFFERENCE:±2

C007K-T1-1070 長度(L):1070/重量:11.5kg±5%

C007K-T1 長度(L):1200/重量:12.5kg±5%

全封邊灰格紋光塑面台板

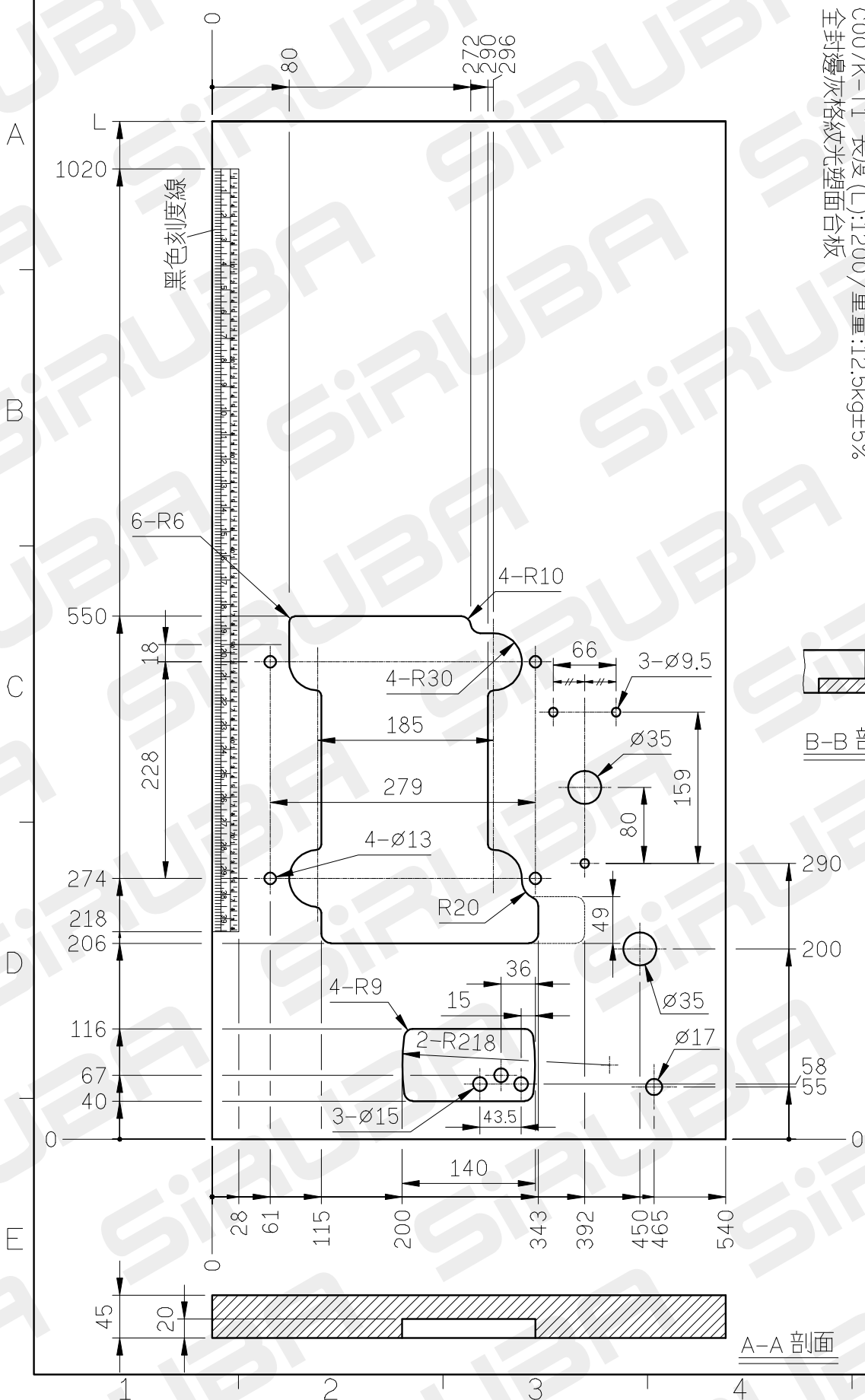


TABLE CUT-OUT OF C007K-T2

三針簡車上乘桌板圖

C007J/C007JD/C007K/C007KD/C858K/C858KD/S007K/S007KD SERIES TABLE CUT-OUT SEMI-SUBMERGED

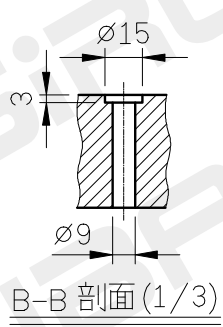
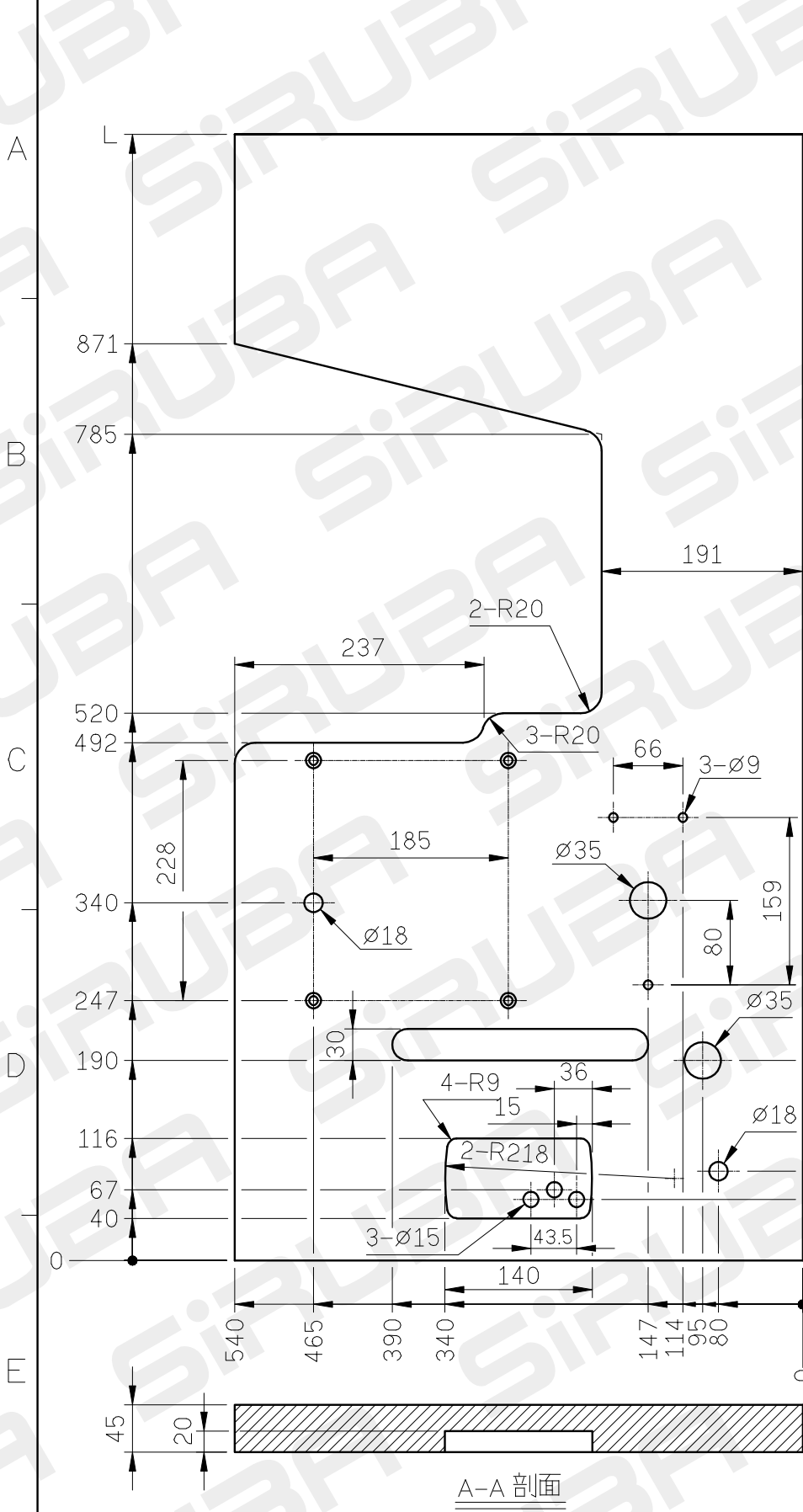
FOR CRL/CRL/UT

所有尺寸公差/DIFFERENCE:±2

C007K-T2-1070 長度(L):1070/重量:11.3kg±5%

C007K-T2 長度(L):1200/重量:12.3kg±5%

全封邊灰格紋光塑面台板



A-A 剖面

TABLE CUT-OUT OF C007K-T23

三針筒車下乘桌板圖

C007K/C007KD/C858K/C858KD SERIES TABLE CUT-OUT SEMI-SUBMERGED

單位/UNIT:mm

FOR一般車及自動切線

所有尺寸公差/DIFFERENCE:±2

C007K-T23-1070長度(L):1070/重量:11.5kg±5%

C007K-T23長度(L):1200/重量:12.5kg±5%

全封邊灰格紋光塑面台板

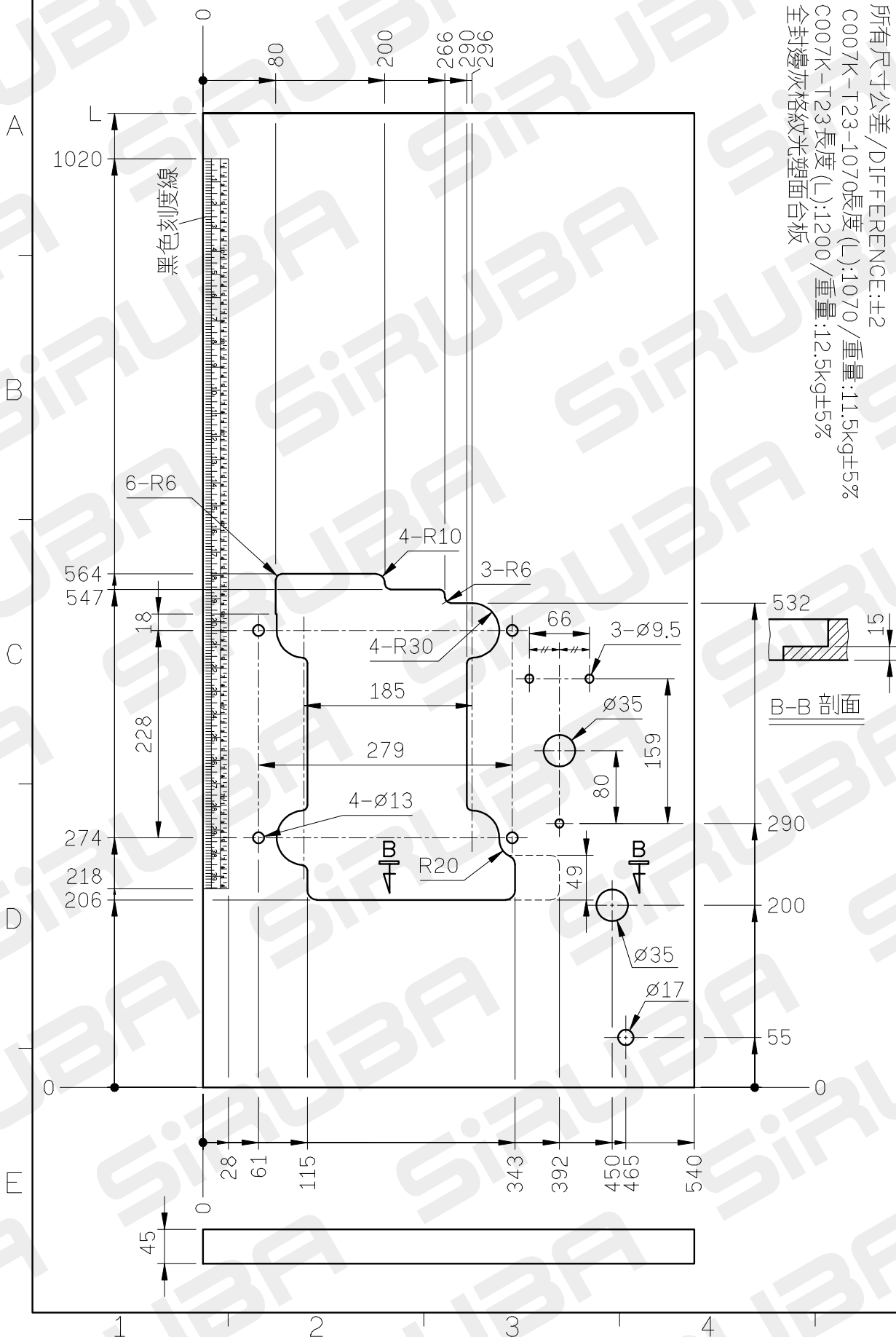


TABLE CUT-OUT OF C007K-T25

三針筒車上乘桌板圖

C007K/C007KD/C858K/C858KD SERIES TABLE CUT-OUT SEMI-SUBMERGED

單位 / UNIT : mm

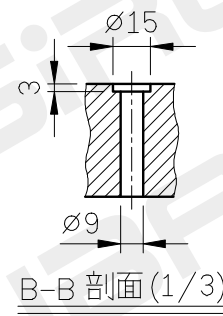
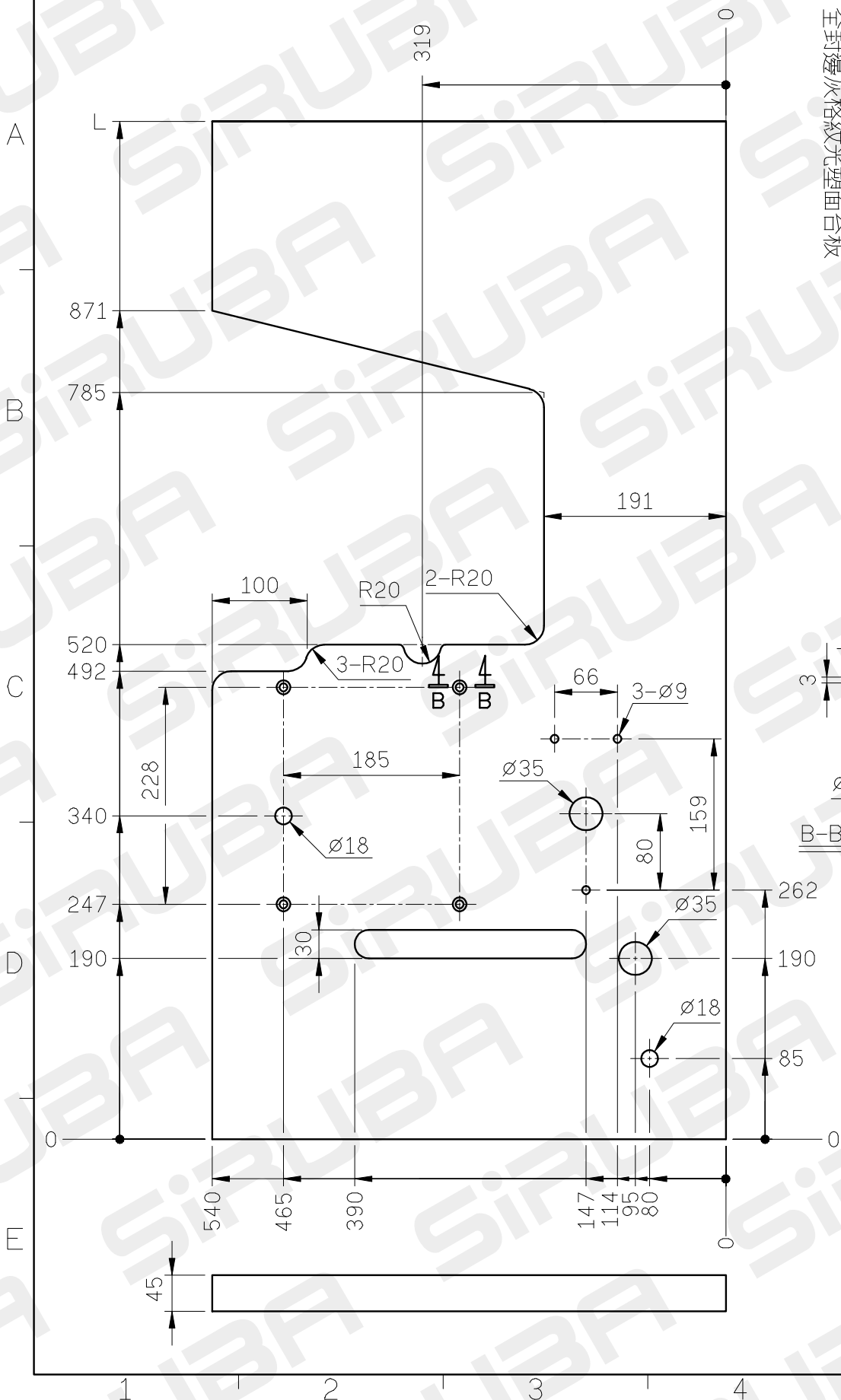
FOR CRL/CRL/UTP.Q

所有尺寸公差 / DIFFERENCE: ±2

C007K-T25-1070長度(L): 1070 / 重量: 11.3kg ± 5%

C007K-T25長度(L): 1200 / 重量: 12.3kg ± 5%

全封邊灰格紋光塑面台板



MY29K-E
 (直欄式不用)

MY29K

SM886-A1

SM886*4 SK391*2
 WM800*4 SK391*3
 WM810*4
 NM810*4