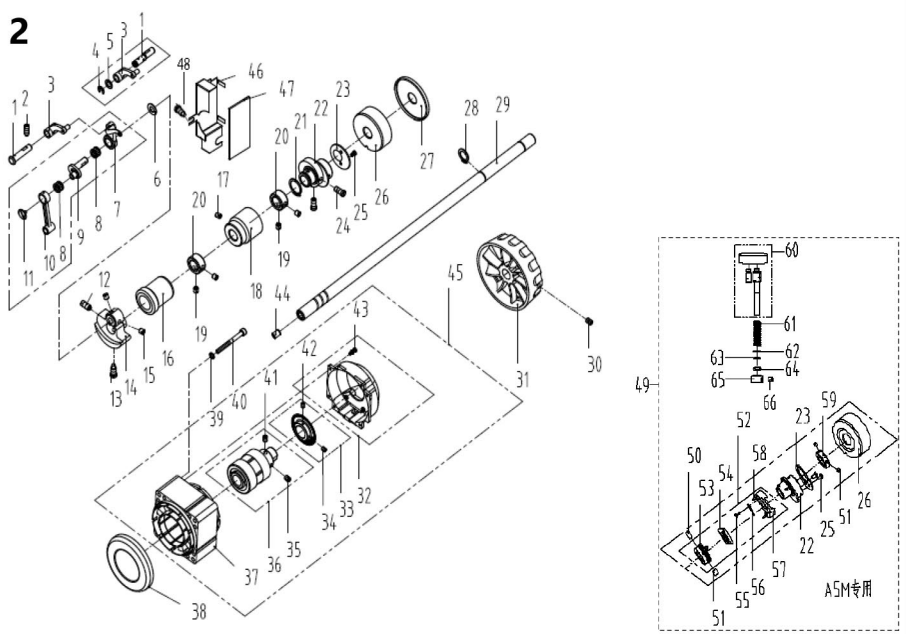


1. 机壳、外装分组件/Machine Frame & Miscellaneous Cover Components

序号 NO	公司件号	Part NO	名称	PartName	零件描述	Description	数量	Number
1	101S11001		螺钉SM3/16"×28 L=9	Screw SM3/16"×28 L=9			14	
2	10122003		面板调节孔螺塞	Rubber plug			2	
3	13837002		商标牌	Head card			1	
4	14101001		面板	Face plate			1	
5	13813005		左线钩	Thread guide left			1	
6	101S11007		螺钉SM11/64"×40 L=6	Screw SM11/64"×40 L=6			1	
7	13822006		面板垫	Face plate gasket			1	
8	101S11027		螺钉SM1/8"×44 L=3.4	Screw SM1/8"×44 L=3.4			1	
9	113812019		面部防油板	Face oil shield asm			1	
	11412082		面部防油板 (厚料)	Face oil shield asm (H)			1	
	21012018		油封垫	Oil sealing washer			1	
11	10122005		挑线连杆销螺塞	Rubber plug			1	
12	10122004		针杆曲柄螺塞	Rubber plug			1	
13	101S11004		螺钉SM3/16"×28 L=7	Screw SM3/16"×28 L=7			3	
14	13812018		挑线杆防护罩	Thread take-up lever cover			1	
15	101S11004		螺钉SM3/16"×28 L=7	Screw SM3/16"×28 L=7			1	
16	13512004		三孔线勾	3-hole thread guide			1	
17	10122005		挑线连杆销螺塞	Rubber plug			1	
18	114S11015		割线刀螺钉SM9/64"×40 L=6	Screw SM9/64"×40 L=6			2	
19	11419001		割线刀	Knife			1	
20	21022007		油塞	Rubber plug			1	
21	13822001		操作屏孔塞	Rubber plug			2	
22	13822007		后窗板垫	Side plate gasket			1	
23	13812011		后窗板	Side plate			1	
24	114130006		无线通信模块 (A5+)	RF wireless data communication module (A5+)			1	
25	11413001900		一体机电控罩壳 (鲍麦克斯)	Electronic control box PowerMax			1	
26	11413303300		一体机电控罩壳 (鲍麦克斯) (A5+)	Electronic control box PowerMax (A5+)			1	
27	W01009		GB/T9.1-1985垫圈 5	Washer 5			2	
28	114S13001		螺钉M5 L=20	Screw M5 L=20			3	
29	114S30001		螺柱M5 L=25	Screw M5 L=25			1	
30	14133002		一体机电控组件 (鲍麦克斯)	Electronic control box PowerMax			1	
	13833080		一体机电控组件 (琦星)	Electronic control box (Q)			1	
	11463000500		一体机电控组件 (鲍麦克斯) (A5+)	Electronic control box PowerMax (A5+)			1	
31	10122006		送料调节器孔塞	Rubber plug			1	
32	10122007		下轴工艺孔塞	Rubber plug			1	
33	138S05001		螺钉M3 L=12	Screw M3 L=12			2	
34	14133001		一体机电控面板组件 (鲍麦克斯)	Control panel			1	
	114130003		一体机电控面板组件 (琦星)	Control panel (Q)			1	
	11413002500		一体机电控面板组件 (琦星) (A5M-Q)	Control panel QiXing (A5M-Q)			1	
	114133002		一体机电控面板组件 (鲍麦克斯) (A5+)	Control panel PowerMax (A5+)			1	
35	140S12001		底板支柱	Machine head stud			2	
36	13822002		装饰条	Decorative article			1	
37	1411300400		小夹线器组件	Thread tension asm			1	
38	141S16019		小夹线器螺母	Thread tension nut			1	
39	11227001		小夹线弹簧	Thread tension spring			1	
40	14112017		小夹线板	Thread tension disk			2	
41	13810008		小夹线器螺柱	Thread tension post			1	
42	138S08006		螺钉SM3/16"×28 L=7	Screw SM3/16"×28 L=7			1	
43	13812066		过线板	Thread tension guide plate			1	
44	14122001		橡皮塞 (四孔)	Rubber plug (four-hole)			1	
45	10113004		右线钩	Thread guide right			1	
46	101S11007		螺钉SM11/64"×40 L=6	Screw SM11/64"×40 L=6			1	
47	101S15010		螺钉SM15/64"×28 L=10.5	Screw SM15/64"×28 L=10.5			1	
48	11326012		松线钉	Tension release pin			1	
49	10126002		松线钉 (厚料)	Tension release pin (H)			1	
50	10122014		挑线簧调节座O型圈	Rubber ring			1	
51	101S15005		夹线紧固螺钉SM9/64"×40 L=5.5	Screw SM9/64"×40 L=5.5			1	
52	10127001		挑线簧	Thread take-up spring			1	
	10127031		挑线簧 (厚料)	Thread take-up spring (H)			1	
53	10103011		挑线簧调节座	Thread tension base			1	
54	14112015		夹线板	Thread tension disk			2	
55	14112016		松线板	Disk stopper			1	
56	141S30001		夹线螺柱	Thread tension post			1	
57	10127002		夹线弹簧	Thread tension spring			1	
	11427050		夹线弹簧 (厚料)	Thread tension spring (H)			1	
58	10112007		夹线制动板	Thread disk rotating stopper			1	
59	141S16013		夹线螺母	Thread tension nut			1	
60	11411300200		夹线器组件	Thread tension asm			1	
	11411300300		夹线器组件 (厚料)	Thread tension asm (H)			1	
61	1383002700		电子夹线器组件	Nest less e-device			1	
62	207S14007		凹端紧定螺钉M4X6	Screw M4X6			1	
63	11413011		固定式缓线钩	Thread guide			1	
64	401S16001		螺母SM9/64"×40	Nut SM9/64"×40			1	
65	101S11002		螺钉SM11/64"×40 L=5.5	Screw SM11/64"×40 L=5.5			1	
66	13812019		卷边器座	Ruler stop seat			1	
67	104S17002		螺钉SM11/64"×40 L=6.5	Screw SM11/64"×40 L=6.5			2	
68	13815011		针板	Needle plate			1	
	11315001		针板 (厚料)	Needle plate (H)			1	
	10815001		针板 (-7)	Needle plate (-7)			1	
69	10115002		推板	Slide plate			1	
70	10127009		推板簧	Slide plate spring			1	
71	101S11019		螺钉SM3/32"×56 L=2	Screw SM3/32"×56 L=2			2	
72	13812109		侧盖固定板	Fixed plate			1	
73	H05002		GB/T 896-1986卡簧3	Snap ring 3			1	
74	S04010		螺钉M4 L=5.5	ScrewM4 L=5.5			1	
75	19S244003		U型线夹 (A5+)	U clip (A5+)			1	
76	12922015		橡皮塞	Rubber plug			1	
77	13826009		罩壳台阶销	Pin			1	
78	14011009		一体机电控后侧盖 (鲍麦克斯)	Side cover			1	
79	138S30007		侧盖螺钉	Screw			1	
81	113833074		二维码标签纸 (A5+)	Label paper (A5+)			1	

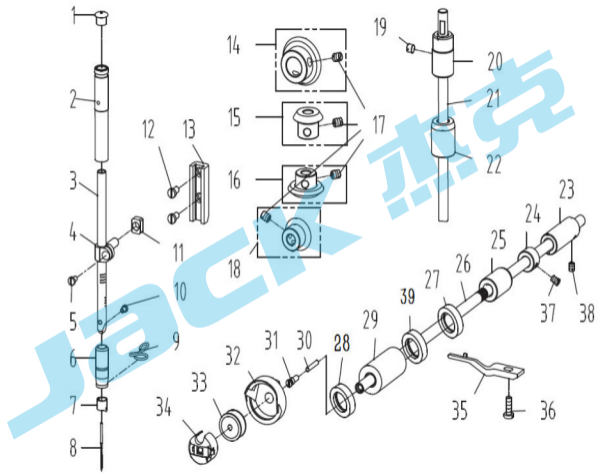
2



2. 上轴挑线分组件/Main Shaft & Thread Take-up Components

序号 NO	公司件号 Part NO	名称 PartName	零件描述 Description	数量 Number
1	10126001 11326013	挑线连杆销 挑线连杆销 (H-M)	Thread take-up connecting rod pin Thread take-up connecting rod pin (H-M)	1 1
2	101515001	螺钉 SM15/64"x28 L=15	Screw SM15/64"x28 L=15	1
3	10105001	挑线连杆	Thread take-up connecting rod	1
4	H05013	GB/T896-1986挡圈6	Snap ring 6	1
5	11328010	垫片	washer	1
6	10112003	针杆曲柄护板	Needle bar crank protecting plate	1
7	1013800100 1133800200	挑线杆分组件 挑线杆组件 (厚料)	Thread take-up lever asm Thread take-up lever asm (H)	1 1
8	10124001	挑线杆滚针轴承	Needle bearing	2
9	1011000100 1011000400 1131001010	挑线曲柄分部件 挑线曲柄分部件 (厚料) 挑线曲柄分部件 (H-M)	Thread take-up crank Thread take-up crank (H) Thread take-up crank (H-M)	1 1 1
10	10105002	针杆连杆	Needle bar connecting rod	1
11	101517001	螺钉SM9/64"x40 (左旋) L=4.8	Screw SM9/64"x40 (left hand) L=4.8	1
12	101515004	螺钉SM9/32"x28 L=16	Screw SM9/32"x28 L=16	1
13	101511003	螺钉SM9/32"x28 L=16	Screw SM9/32"x28 L=16	1
14	10404001 11404035	针杆曲柄 针杆曲柄 (厚料)	Needle bar crank Needle bar crank(H)	1 1
15	101515002	螺钉SM1/4"x40 L=6	Screw SM1/4"x40 L=6	2
16	1140300200	上轴前轴套组件	Main shaft bushing front	1
17	101515006	螺钉SM15/64"x28 L=7	Screw SM15/64"x28 L=7	1
18	12203002	主轴中轴套	Main shaft bushing mid	1
19	101514001	螺钉SM1/4"x40 L=6	Screw SM1/4"x40 L=6	4
20	10108001	上轴挡圈	Main shaft thrust collar	2
21	H03002	挡圈20	Snap ring 20	1
22	400092 400006 114610004 400811 10112017	送料偏心轮 送料偏心轮(H-M) 送料偏心轮(ASM) 送料偏心轮 (厚料) 送料偏心轮盖板	Feed eccentric cam Feed eccentric cam (H-M) Feed eccentric cam (ASM) Feed eccentric cam (H) Cover plate	1 1 1 1 1
23	10812002 114612002	送料偏心轮盖板 (厚料) 偏心轮盖板 (ASM)	Cover plate (H) Cover plate (ASM)	1 1
24	101511013	螺钉SM1/4"x40 L=13	Screw SM1/4"x40 L=13	2
25	113511003	螺钉SM9/64"x40 L=5	Screw SM9/64"x40 L=5	2
26	13803002 113803009	上轴后轴套 上轴后轴套 (ASM)	The rear axle sleeve The rear axle sleeve (ASM)	1 1
27	10122105	上轴后套挡油封	Oil seal	1
28	H03001	GB/T894.1-1986挡圈15	Snap ring 15	1
29	13802060 113802013	上轴 上轴 (ASM)	Main shaft Main shaft(ASM)	1 1
30	S10009 113835001	螺钉M6 L=8 手轮	Screw M6 L=8 Handwheel	2 1
31	930100092 95100172	手轮 (ASM) 电机罩壳组件 (鲍麦克斯)	Handwheel (ASM) Motor cover asm	1 1
32	95100146 95100116	电机罩壳组件 (琦星) 电机光栅组件 (鲍麦克斯)	Motor cover asm (Q) Motor grating sensor asm	1 1
33	95100117	电机光栅组件 (琦星)	Motor grating sensor asm (Q)	1
34	S09022	螺钉M3 L=4	Screw M3 L=4	1
35	S09113	螺钉M6 L=6	Screw M6 L=6	1
36	95100182 95100131	电机转子总成 (鲍麦克斯) 电机转子总成 (琦星)	Motor rotor Motor rotor (Q)	1 1
37	95100171 95100145	电机定子总成 (鲍麦克斯) 电机定子总成 (琦星)	Motor stator Motor stator (Q)	1 1
38	13811060	电机绝缘防护罩	Motor insulation shield	1
39	W02058	弹垫5	Spring washer 5	3
40	S05901	螺钉M5 L=50	Screw M5 L=50	3
41	S09113	螺钉M6 L=6	Screw M6 L=6	1
42	S09022	螺钉M3 L=4	Screw M3 L=4	1
43	951515011	螺钉组合件M3 L=12	Screw asm M3 L=12	5
44	10122012	上轴孔塞	Rubber plug	1
45	113830001 13833051	ZB-MA4-25A光电伺服电机 (鲍麦克斯) ZB-MA4-25A光电伺服电机 (琦星)	Motor Motor (Q)	1 1
46	14112004	防油罩	Oil shield	1
47	14123001	防油罩油棉	Oil cotton	1
48	141511002	螺钉	Screw	1
49	/	ASM专用	ASM dedicated	/
50	207511018	螺钉M5 L=10	Screw M5 L=10	2
51	S10002	螺钉M5 L=5	screw M5 L=5	3
52	11461000300	连接套组件	Connecting sleeve asm	1
53	114625001	棘轮	Ratcheting	1
54	114609001	棘爪	Pawl	1
55	207520005	开槽圆柱头轴头螺钉	Screw	1
56	114627003	弹簧	Spring	1
57	114610003	连接套	Connecting sleeve	1
58	P03047	弹性圆柱销2.5×10	Elastic round pin 2.5×10	3
59	114608003	偏心轮挡圈	Eccentric cam thrust collar	1
60	11461100200	按钮盖组件	Button cap asm	1
61	20727004	弹簧	Spring	1
62	20728001	垫片	Washer	1
63	O01027	O型圈	O Ring	1
64	20722005	油封	Gasket	1
65	114608002	限位挡圈	Limit collar	1
66	207514007	螺钉M4 L=6	Screw M4 L=6	1

3

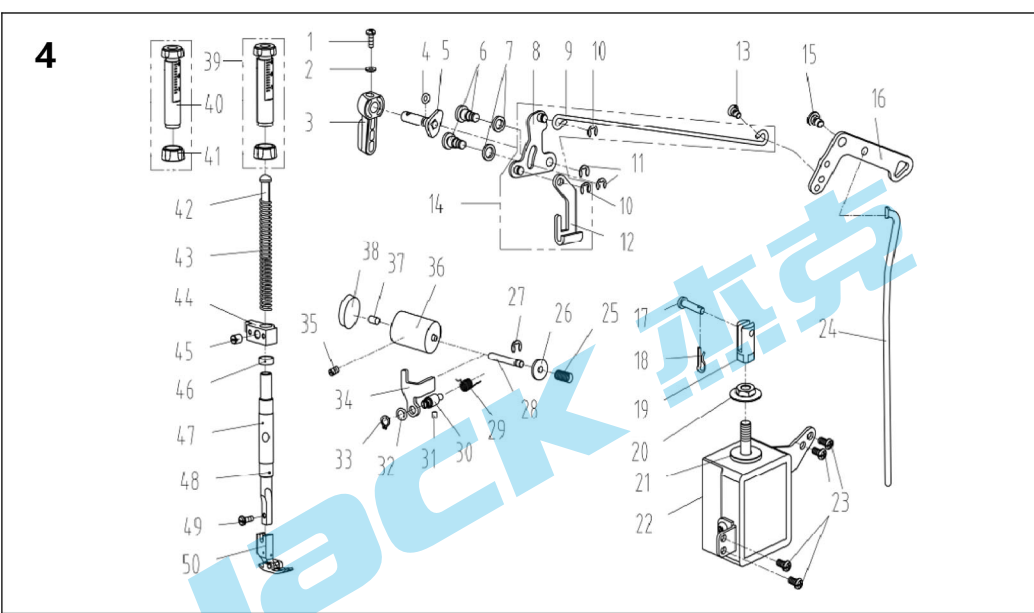


3. 针杆、竖轴、下轴部件/Needle bar & Upright Shaft & Hook Driving Shaft Components (1)

序号 NO	公司件号 Part NO	名称 PartName	零件描述 Description	数量 Number
1	10122013	针杆上衬套孔塞	Rubber plug	1
2	14103009	针杆上衬套	Needle bar bushing upper	1
	10103009	针杆上衬套 (厚料)	Needle bar bushing upper (H)	1
3	11402039	针杆	Needle bar	1
	10102021	针杆 (厚料)	Needle bar (H)	1
4	10138002	针杆连接柱	Needle bar connecting rod	1
5	101S11005	螺钉SM9/64"x40 L=6	Screw SM9/64"x40 L=6	1
6	10103010	针杆下衬套	Needle bar bushing lower	1
	11303023	针杆下衬套(厚料)	Needle bar bushing lower (H)	1
7	10113002	针杆线勾	Needle bar thread guide	1
	11412063	针杆线勾 (厚料)	Needle bar thread guide (H)	1
8	13817001	机针DB×1#14	Needle DB×1#14	1
	10117002	机针DP×5#21 (厚料)	Needle DP×5#21 (H)	1

3. 针杆、竖轴、下轴部件/Needle bar & Upright Shaft & Hook Driving Shaft Components (2)

序号 NO	公司件号 Part NO	名称 PartName	零件描述 Description	数量 Number
9	10413001	针杆下衬套线钩	Lower bushing thread guide	1
	10113009	针杆下轴套线钩 (厚料)	Lower bushing thread guide (H)	1
10	104511006	螺钉SM11/8"x44 L=4.5	Screw SM11/8"x44 L=4.5	1
11	10109001	针杆连接滑块	Slide block	1
12	101511008	螺钉SM11/64"x40 L=8	Screw SM11/64"x40 L=8	2
13	10109002	针杆接头滑块导轨	Needle bar guide	1
14	10425004	上轴伞齿轮	Upper shaft bevel gear	1
15	10425003	竖轴上伞齿轮	Upper small bevel gear asm	1
16	10425002	竖轴下伞齿轮	lower large bevel gear asm	1
17	101515014	螺钉SM11/4"x40 L=7	Screw SM11/4"x40 L=7	8
18	10425001	下轴伞齿轮	Hook drive shaft bevel gear	1
19	113511036	螺钉SM15/64"x28 L=4.7	Screw SM15/64"x28 L=4.7	1
20	10403020	竖轴上轴套	Upright shaft bushing upper	1
21	10102007	竖轴	Upright shaft	1
22	113803004	竖轴下轴套	Upright shaft bushing lower	1
23	10403019	下轴后轴套	Hook driving shaft bushing back	1
24	10108002	下轴挡圈	Hook driving shaft snap ring	1
25	14003004	下轴中套	Lower shaft middle bushing	1
26	11304003	下轴	Hook driving shaft	1
27	11522001	油封组件12	Oil seal 12	1
28	1142201600	油封组件	Oil seal	1
29	14003001	下轴前轴套组件	Hook driving shaft bushing front	1
30	13823001	下轴限油芯	Oil wick	1
31	101530005	下轴限油螺钉	Set screw	1
32	11418003	广濂中厚料旋梭	Hook asm	1
	11418004	广濂厚料旋梭 (厚料)	Hook asm (H)	1
33	10118003	核心	Bobbin	1
34	11218504	梭壳	Bobbin case asm	1
35	10112016	旋梭定位钩	Finger postioner	1
	10112032	旋梭定位钩 (厚料)	Finger postioner (H)	1
36	116511005	螺钉SM11/64"x40 L=13	Screw SM11/64"x40 L=13	1
37	101511012	螺钉SM11/64"x40 L=4.8	Screw SM11/64"x40 L=4.8	2
38	113514020	螺钉SM11/64"x40 L=6	Screw SM11/64"x40 L=6	1
39	114122004	油封组件	Oil seal	1

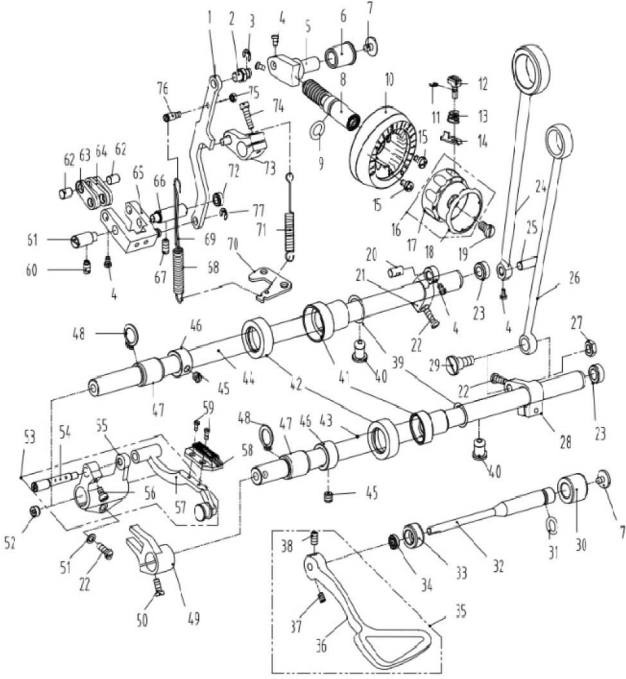


4. 压料、自动抬压脚组件 /Presser Bar & Auto Lifter Components (1)

序号 NO	公司件号 Part NO	名称 PartName	零件描述 Description	数量 Number
1	101511010	螺钉SM9/64"x40 L=11	Screw SM9/64"x40 L=11	1
2	10128002	压脚扳手螺钉垫圈	Washer	1
3	13811029	压脚扳手	Hand lifter	1
4	O01004	O型圈	Rubber ring	1
5	1411000200	压脚扳手凸轮分部件	Hand lifter cam asm	1
6	101520001	前杠杆螺钉	Screw	2
7	10128015	螺钉销橡胶垫圈	Washer	2
8	1411201100	抬压脚前杠杆分部件	Lift front lever component	1
9	10112013	抬压脚拉杆	Knee lifter pull rod	1
10	H05003	GB/T896-1986挡圈 5	Snap ring 5	2
11	11329020	挡圈5	Snap ring 5	2
12	13712004	压脚升降板	Lifting plate	1
13	101520004	抬压脚拉杆螺钉SM3/16"x32	Hinge screw SM3/16"x32	1
14	1411200300	抬压脚前杠杆组件	Knee lifter lever asm	1
15	101520003	后杠杆轴位螺钉SM15/64"x28	Hinge screw SM15/64"x28	1
16	11312034	抬压脚后杠杆	Knee lifter back lever	1
17	11326005	销子	Pin	1
18	113829001	R形弹性开口销φ1.5	Cotter pin	1
19	11326006	电磁铁接头	Solenoid connector	1
20	113516004	法兰螺母M8	Flange nuts M8	1
21	11322008	电磁铁上垫片	Washer	1
22	11383001300	抬压脚电磁铁组件	Solenoid asm	1
23	101511001	螺钉SM3/16"x28 L=9	Screw SM3/16"x28 L=9	4
24	114112022	抬压脚顶杆	Knee lifter connecting rod	1
25	10127003	松线辅钉弹簧	Spring	1
26	10128001	松线辅钉垫片	Washer	1
27	H05012	挡圈4	Snap ring 4	1
28	10126003	松线辅钉	Thread release supporting pin	1
29	114127002	松线顶板复位簧	Spring	1
30	14126008	松线顶板连接销	Pin	1
31	138508006	螺钉SM3/16"x28 L=7	Screw SM3/16"x28 L=7	1
32	14128001	松线顶板垫片	Loose top gasket	1
33	H03054	GB/T894.1-1986挡圈6	Snap ring 6	1
34	14101017	松线顶板	Wire release plate	1
35	138508006	螺钉SM3/16"x28 L=7	Screw SM3/16"x28 L=7	1
36	11413001800	松线电磁铁组件	Solenoid	1
37	12922015	橡皮塞	Spout plug	1
38	114122006	松线油封	Oil seal	1
39	1138NS30003	调压螺钉 (厚料)	Press regulating screw (H)	1
40	1138NS30003	调压螺钉 (厚料)	Press regulating screw (H)	1
41	1138NS16005	调压螺母 (厚料)	Press regulating nut (H)	1
42	10102003	调压导杆	Press regulating guide bar	1
	11427033	调压簧	Press regulating spring	1
43	113827010	调压簧 (H-M)	Press regulating spring (H-M)	1
	10127024	调压簧 (厚料)	Press regulating spring (H)	1

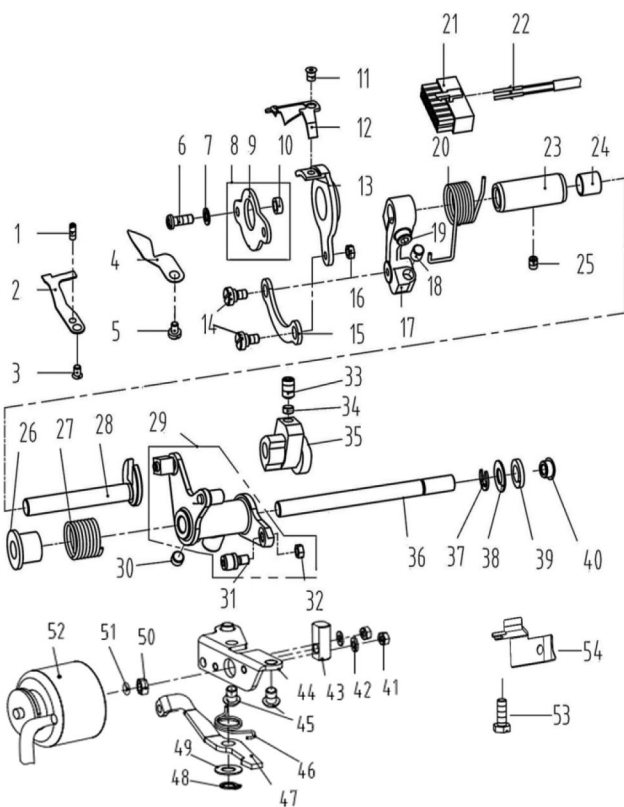
4. 压料、自动抬压脚分组件/Presser Bar & Auto Lifter Components (2)

44	13809030	压杆导架	Presser bar guide bracket	1
45	101S15007	螺钉SM1/4"x40 L=8	Screw SM1/4"x40 L=8	1
46	10122112	压杆防油套	Pressure bar oil cover	1
47	113803007	压杆衬套	Presser bar bushing,lower	1
48	113802009	压杆	Presser bar	1
49	101S11009	螺钉 SM9/64"x40 L=10.5	Screw SM9/64"x40 L=10.5	1
50	1131600600	压脚组件	Presser foot asm	1
	1131600300	压脚组件 (厚料)	Presser foot asm (H)	1



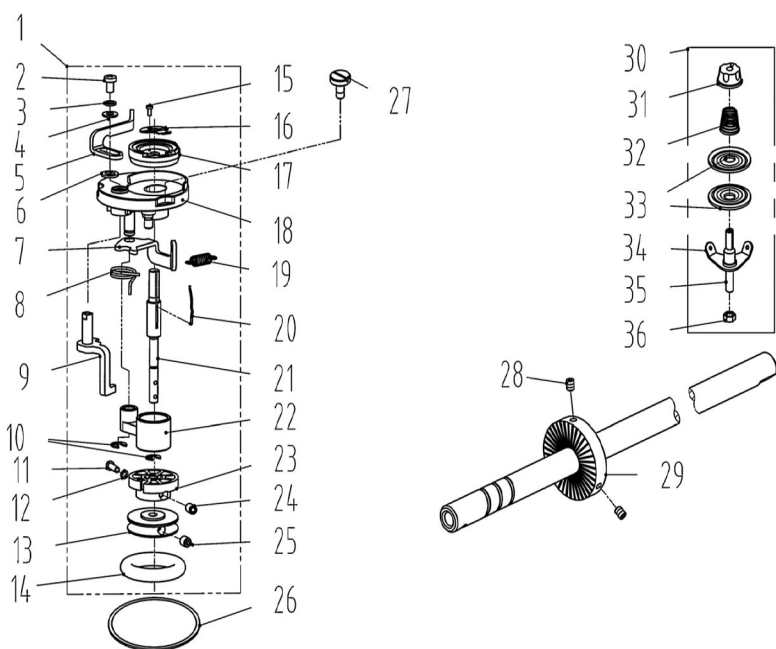
5. 送料分组件/Feed Mechanism Components

序号NO	公司件号	Part NO	名称	PartName	零件描述	Description	数量	Number
1	11405015		倒送料连杆		Reverse feed connecting rod		1	
	11305015		倒送料连杆 (-7)		Reverse feed connecting rod (-7)		1	
2	11426021		倒送料连杆销		Connecting rod pin		1	
	11326011		倒送料连杆销 (-7)		Connecting rod pin (-7)		1	
3	11329020		挡圈5		Snap ring 5		1	
4	101511005		螺钉SM9/64*40 L=6		Screw SM9/64*40 L=6		6	
5	11401015		送料调节器		Feed regulator		1	
6	11403043		送料调节器轴套		Feed regulator bushing		1	
7	101511023		螺钉SM3/16*x28 L=6.5		Screw SM3/16*x28 L=6.5		1	
8	13826005		标盘螺母		Feed regulator stud		1	
9	10122016		送料调节螺钉O形圈		Rubber ring		1	
10	13811008		固定表盘		Fixing dial plate		1	
	13811013		固定表盘 (厚料)		Fixing dial plate (H)		1	
	13811050		固定表盘 (-7)		Fixing dial plate (-7)		1	
11	H05018		GB/T896-1986挡圈3.5		Snap ring 3.5		1	
12	13811009		标盘按钮		Dial plate button		1	
13	13827002		按钮复位簧		Spring		1	
14	13812010		上限位片		Upper limit patch		1	
15	101511004		螺钉SM3/16*x28 L=7		Screw SM3/16*x28 L=7		2	
16	1381100700		标盘旋钮组件		Dial knob asm		1	
17	13811007		标盘旋钮		Dial knob		1	
18	13811020		标盘旋钮盖板		Cover plate		1	
19	101511022		螺钉SM3/16*x28 L=18		Screw SM3/16*x28 L=18		1	
20	10126011		送料曲柄销		Feed rocker crank pin		1	
21	10104002		送料曲柄		Feed rocker shaft crank		1	
	11304010		送料曲柄 (-7)		Feed rocker shaft crank (-7)		1	
22	101511016		螺钉SM3/16*x28 L=14		Screw SM3/16*x28 L=14		3	
23	114022002		橡皮塞		Rubber plug		2	
24	400091		送料连杆		Rocker shaft connecting rod		1	
	13805002		送布连杆 (厚料)		Rocker shaft connecting rod (H)		1	
	114605001		送料连杆 (A5M)		Rocker shaft connecting rod (ASM)		1	
	400083		送料连杆 (-7)		Rocker shaft connecting rod (-7)		1	
25	10126006		送料连杆销		Connecting rod pin		1	
26	400093		抬牙连杆		Connecting rod		1	
27	101516003		抬牙连杆轴位螺母 SM9/32*x28		Hinge Screw SM9/32*x28		1	
28	10104004		抬牙后曲柄		Feed driving shaft crank		1	
29	101520005		抬牙连杆轴位螺钉 SM9/32*x28		Hinge Screw SM9/32*x28		1	
30	13803021		倒送料轴后轴套		Reverse feed shaft bushing back		1	
31	13822003		倒送料轴O形圈		Rubber ring		1	
32	13802010		倒送料轴		Reverse feed shaft		1	
33	13803020		倒送料轴中套		Reverse feed shaft bushing mid		1	
34	13822056		倒送料轴中套油封		Mid bushing oil seal		1	
35	13831055		倒缝扳手		Reverse feed lever		1	
36	13831055		倒缝扳手		Reverse feed lever		1	
37	S10035		螺钉M5 L=8		Screw M5 L=8		1	
38	138510010		螺钉M5 L=8		Screw M5 L=8		1	
39	114022001		密封圈		Seal Ring		2	
40	14022008		送料轴油线孔塞		Plug		2	
41	14003002		送料轴后轴套		Axle sleeve		2	
42	1142200800		油封组件22		Oil seal		2	
43	14002002		抬牙轴		Feed driving shaft		1	
44	14002003		送料轴		Feed rocker shaft		1	
45	101515002		螺钉SM1/4*x40 L=6		Screw SM1/4*x40 L=6		4	
46	10108003		送料轴挡圈		Feed rocker shaft snap ring		2	
47	10403015		轴套		Bushing		2	
48	H03001		GB/T894.1-1986挡圈 15		Snap ring 15		2	
49	10104003		抬牙叉形曲柄		Driving shaft crank		1	
	10804003		抬牙叉形曲柄 (厚料)		Driving shaft crank (H)		1	
50	1138NS30004		螺钉SM11/64*x40 L=10.5		Screw SM11/64*x40 L=10.5		1	
51	10128003		牙架座螺钉垫圈		Washer		1	
52	14022003		送料轴前孔塞		Spout plug		1	
53	11380700300		牙架组件 (成品)		Feed bar asm		1	
54	10401007		牙架销		Feed bar pin		1	
55	480095		牙架座		Feed bar bed		1	
56	101511025		螺钉SM11/64*x40 L=7		Screw SM11/64*x40 L=7		1	
57	470060		牙架		Feed bar		1	
58	13814005		送料牙		Feed dog		1	
	11314001		送料牙 (厚料)		Feed dog (H)		1	
	11414002		送料牙 (H-M)		Feed dog (H-M)		1	
	11414001		送料牙 (-7)		Feed dog (-7)		1	
59	101511018		螺钉 SM1/8*x44 L=6		Screw SM1/8*x44 L=6		2	
60	101515010		螺钉 SM15/64*x28 L=10.5		Screw SM15/64*x28 L=10.5		1	
61	10126009		送料摆动板座左销		Left pin		1	
62	10126007		短摆动板连杆销		Connecting pin		2	
63	11412022		送料短摆动板		Feed short shaking plate		2	
	13809007		送料短摆动板 (H-M)		Feed short shaking plate (H-M)		2	
64	13809008		送料长摆动板		Feed long shaking plate		2	
65	11380100900		送料摆动板座分部件		Feed shaking plate bed components		1	
66	10126010		送料摆动板座右销		Right pin		1	
67	113514010		螺钉SM15/64*x28 L=12		Screw SM15/64*x28 L=12		1	
68	11427011		送料调节弹簧		Spring		1	
69	11321005		油管		Tube		0.11M	
70	13812081		拉簧固定板		Fixed plate		1	
71	13827006		倒送料拉簧		Spring		1	
72	14022015		右销孔塞		Spout plug		1	
73	1140402700		倒送料曲柄组件		Feed reverse crank asm		1	
	1130402800		倒送料曲柄组件 (-7)		Feed reverse crank asm (-7)		1	
74	S01102		螺钉SM3/16*x28 L=18		Screw SM3/16*x28 L=18		1	
75	114516004		螺母SM11/64*x40		Nut SM11/64*x40		1	
76	114530007		螺钉SM11/64*x40 L=7.5		Screw SM11/64*x40 L=7.5		1	
77	11329020		挡圈5		Snap ring 5		1	



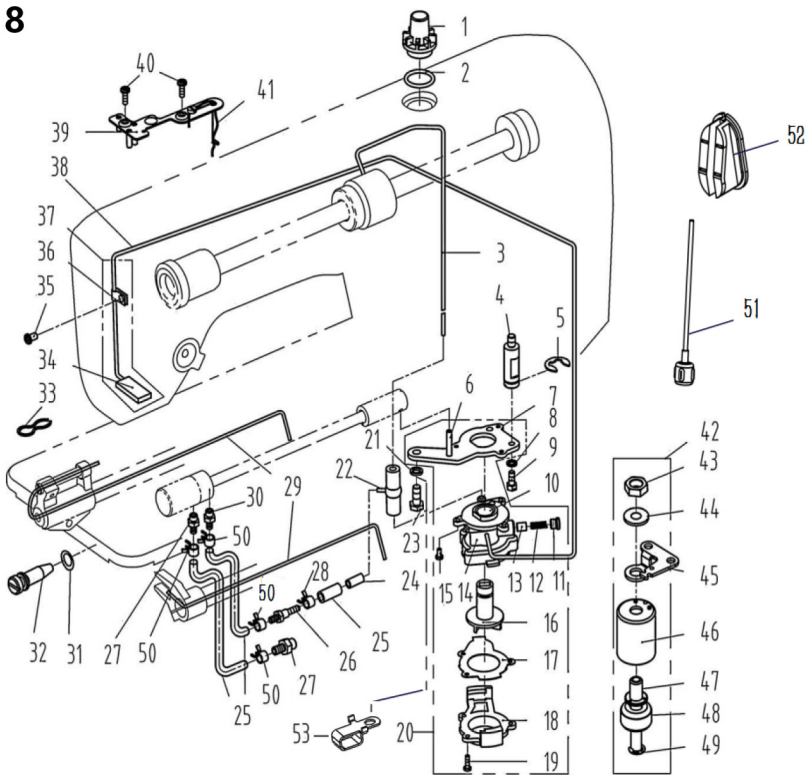
6. 切线装置部件/Thread Trimmer Components

序号 NO	公司件号 Part NO	名称 PartName	零件描述 Description	数量 Number
1	113S15002	螺钉SM1/8"x44 L=9.5	Screw SM1/8"x44 L=9.5	1
2	11319001	定刀	Secant knife	1
3	113S17001	螺钉SM9/64"x40 L=6	Screw SM9/64"x40 L=6	1
4	11312003	护针片	Needle guard patch	1
5	201S11009	螺钉SM9/64"x40 L=5.5	Screw SM9/64"x40 L=5.5	1
6	113S11001	螺钉SM11/64"x40 L=12	Screw SM11/64"x40 L=12	2
7	140128003	牙架座螺钉垫圈	Washer	2
8	14012004	刀架压板组件	Knife bracket press component	1
9	14012032	偏心连杆	Eccentric connecting rod	1
10	11303012	短套	Short bushing	2
11	113S17002	螺钉SM11/64"x40 L=4.4	Screw SM11/64"x40 L=4.4	2
12	11319002	活动刀	Moterial knife	1
13	11319003	活动刀 (厚料)	Moterial knife (H)	1
14	11307001	剪线刀架	Knife bracket	1
15	113S20001	连杆螺钉SM11/64"x40	Hinge Screw SM11/64"x40	2
16	114112013	连杆	Connecting rod	1
17	114S16004	螺母SM11/64"x40	Nut SM11/64"x40	1
18	14004002	切线曲柄	Crank	1
19	11322001	驱动曲柄止动块	Crank driver stopper block	1
20	S05004	螺钉M5 L=14	Screw M5 L=14	1
21	11327001	弹簧	Spring	1
22	11230004	14孔接线器	Plug	1
23	11230005	电线插针	Pin	1
24	11303003	切线轴套	Thread cutting shaft bushing	1
25	11503005	驱动曲柄轴衬套	Crank drive shaft bushing	1
26	113S14020	螺钉SM11/64"x40 L=6	Screw SM11/64"x40 L=6	1
27	11322002	扣簧端盖	Spring cover	1
28	11327002	弹簧	Spring	1
29	11304002	切线凸轮曲柄轴	Crank shaft	1
30	1400400100	剪线驱动组件	Thread trimmer drive asm.	1
31	101S14001	螺钉SM1/4"x40 L=4.5	Screw SM1/4"x40 L=4.5	1
32	11324001	滚柱	Rolling pin	1
33	1138NS16007	螺母SM11/64"x40	Nut SM11/64"x40	1
34	116S14005	螺钉SM1/4"x40 L=10	Screw SM1/4"x40 L=10	2
35	11309030	凸轮顶柱	Push rod	2
36	11310004	凸轮	Cam	1
37	11310011	凸轮 (厚料)	Cam (H)	1
38	14002004	切线驱动轴	Shaft	1
39	H05013	GB/T896-1986挡圈6	Snap ring 6	1
40	10112003	针杆曲柄护板	Cunler weight protecting	1
41	11322003	电磁铁缓冲片	Solenoid cushion rubber	1
42	14022013	孔塞8.5	Spout plug 8.5	1
43	N01005	螺母 M4	Nut M4	2
44	W02002	GB/T93-1987弹簧垫圈4	Washer 4	2
45	11309001	切线电磁铁顶销	Solenoid pin	1
46	1401200200	切线电磁铁支架组件	Bracket	1
47	S17002	螺钉M6 L=10	Screw M6 L=10	2
48	14127003	剪线复位簧	Spring	1
49	14112022	切线杠杆	Tangent lever	1
50	H03015	GB/T894.1卡簧8	Ring 8	1
51	10112003	针杆曲柄护板	Needle bar crank protecting plate	1
52	112S16006	螺母SM1/4"x40	Nut SM1/4"x40	1
53	113822005	垫圈	Washer	1
54	1413003400	剪线电磁铁组件	Thread trimmer solenoid asm	1
55	101S11026	螺钉SM15/64"x28 L=9	Screw SM15/64"x28 L=9	1
56	13812027	拉线挡板	Pull wire baffle	1



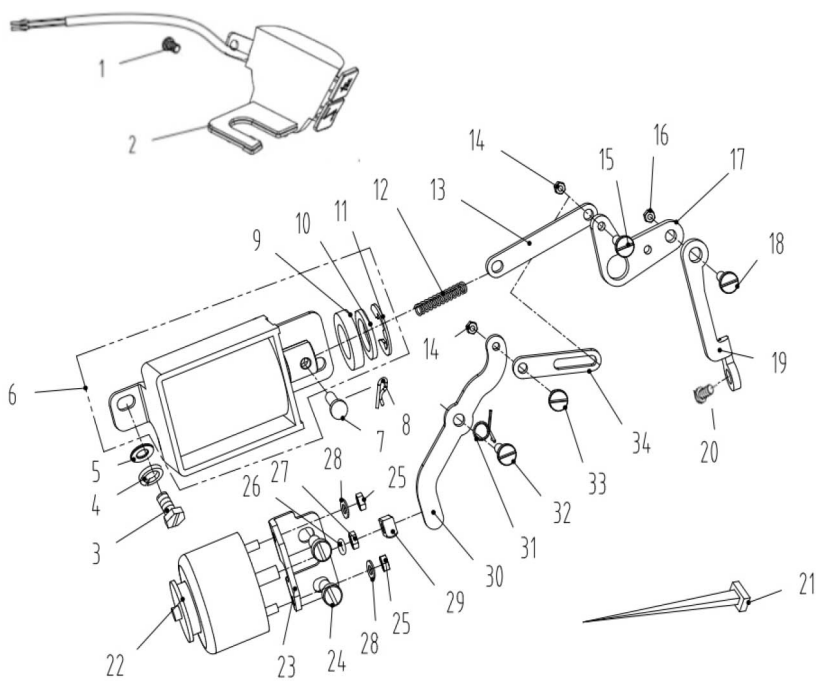
7. 绕线器组件/ Bobbin Components

序号 NO	公司件号 Part NO	名称 PartName	零件描述 Description	数量 Number
1	1413104900	绕线器组件	Bobbin winder asm	1
2	114S11008	螺钉M4 L=6	Screw M4 L=6	1
3	W02863	GB 93弹簧垫圈4	Washer 4	1
4	W01142	GB/T 97.1平垫圈4	Washer 4	1
5	14113002	压线控制板	Pressure line control board	1
6	14112020	垫圈	Washer	1
7	13812110	调节板	Regulating plate	1
8	13827013	满线复位簧	Reset spring	1
9	1411000300	绕线凸轮组件	Winding cam asm.	1
10	11329020	开口挡圈5	Ring 5	2
11	1141NS10001	螺钉SM9/64×40 L=11	Screw SM9/64×40 L=11	1
12	W02865	GB 93弹簧垫圈3	Washer 3	1
13	14111004	绕线轮	Winding wheel	1
14	O01110	O型圈25x7	O ring 25x7	1
15	S04090	螺钉M2 L=4	Screw M2 L=4	1
16	14119003	割线刀	Secant cutter	1
17	113831003	绕线衬垫	Winding gasket	1
18	113831002	绕线器装置主座	The main seat	1
19	10127061	复位板拉簧	Drag spring	2
20	14127060	弹簧	Spring	1
21	14102003	绕线器主轴	principal axis	1
22	1410510600	绕线器连杆组件	Bobbin connecting rod asm	1
23	14111006	止动轮	Driven wheel	1
24	N07008	螺母SM9/64*×40	Nut SM9/64*×40	1
25	S09103	螺钉M4 L=4	Screw M4 L=4	2
26	11422062	密封垫	Washer	1
27	114S11003	螺钉SM3/16*×28 L=10	Screw SM3/16*×28 L=10	3
28	S10009	螺钉M6 L=8	Screw M6 L=8	2
29	11435013	绕线器驱动轮	Driving wheel	1
30	1411300600	底线夹线器	Bobbin thread tension asm.	1
31	141S16019	小夹线器螺母	Thread tension nut	1
32	11427006	小夹线弹簧	Spring	1
33	14112015	夹线板	Thread tension disk	2
34	11413022	夹线过线板	Thread tension guide plate	1
35	112S13004	夹线螺钉	Screw	1
36	114S16001	螺母SM11/64*×40	Nut SM11/64*×40	1



8. 润滑、油量检测组件/Oil Lubrication & Oil Measuring Components

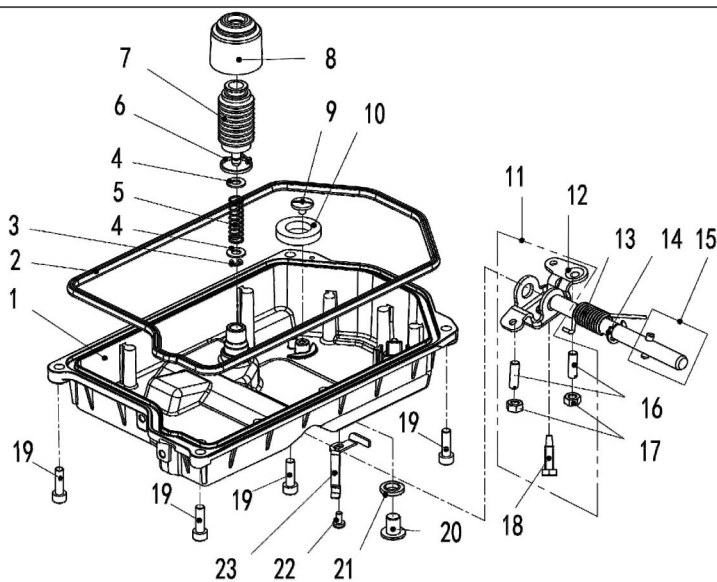
序号 NO	公司件号 Part NO	名称 PartName	零件描述 Description	数量 Number
1	11211004	油窗	Oil sight window	1
2	10122019	油窗O形圈	Rubber ring	1
3	14121001	上轴供油管	Main shaft oil tube	1
4	112530005	油泵连接螺柱	Oil pump connecting stud	1
5	11329010	开口挡圈10	Snap ring 10	1
6	10121001	下轴供油管	Hook driving shaft oil tube	1
7	10112020	油泵安装板	Oil pump installing base	1
8	W03002	弹垫	Spring washer	1
9	209S12001	螺钉SM11/64*×40 L=10.5	Screw SM11/64*×40 L=10.5	1
10	10103022	油泵体衬套	Oil pump bushing	1
11	101S30007	柱塞螺钉	Plunger Screw	1
12	10127013	柱塞簧	Plunger spring	1
13	10122018	回油柱塞	Plunger	1
14	10120001	油泵体	Oil pump	1
15	S04093	螺钉M3 L=6	Screw M3 L=6	3
16	10111003	油泵叶轮	Oil pump impeller	1
17	10112021	油泵叶轮托板	Oil pump impeller cover	1
18	10111007	油泵盖	Lubricating oil pump cover	1
19	101S30006	螺钉ST2.9×10	Screw ST2.9×10	3
20	1012000100	油泵分部件	Lubricating oil pump component	1
21	W02004	GB/T93-1987弹垫M6	Spring Washer M6	1
22	10136001	供油管接头	Rubber joint	1
23	116S30003	螺钉SM15/64*×28 L=14.5	Screw SM15/64*×28 L=14.5	1
24	14021003	铝油管	Aluminum tubing	1
25	14021001	油管	Tubing	3
26	14036004	油盘油嘴	Oil nozzle	1
27	14036002	回油嘴	Oil nozzle	2
28	30129007	油管卡簧	Oil pipe clamp spring	1
29	10123010	油线	Oil wick	2
30	14036003	供油嘴	Oil nozzle	1
31	14022011	O型圈	Rubber ring	1
32	140S30001	油量调节螺钉	Oil volume adjusting screw	1
33	10127015	回油毡夹	Oil felt clamp	1
34	10123006	回油毡	Oil felt felt	1
35	101S11004	螺钉SM3/16*×28 L=7	Screw SM3/16*×28 L=7	1
36	10112023	回油管夹	Oil tube clamp	1
37	10121007	回油管部件	Oil return tube component	1
38	10121008	回油管	Oil return tube	1
39	10112025	油线固定板	Oil wick fixing plate	1
40	101S11010	螺钉SM9/64*×40 L=11	Screw SM9/64*×40 L=11	2
41	10123010	油线	Oil wick	1
42	1383000300	油量检测装置组件	Oil measuring device	1
43	N01009	螺母M10	Nut M10	1
44	W02003	弹性垫圈	Washer	1
45	14012006	油量检测装置固定板	Pull spring fixing plate	1
46	14011004	油量检测罩壳	Shell	1
47	14002005	导向柱	Guide pillar	1
48	14011002	浮子	Float	1
49	H05009	开口挡圈	Ring	1
50	20429001	油管卡簧	Oil pipe clamp spring	4
51	11412200200	浮标	Buoy	1
52	13811015	油窗	Oil window	1
53	14112007	过线勾	Thread tension guide plate	1



9. 自动倒送料开关组件/Automatic Reverse Feed Components

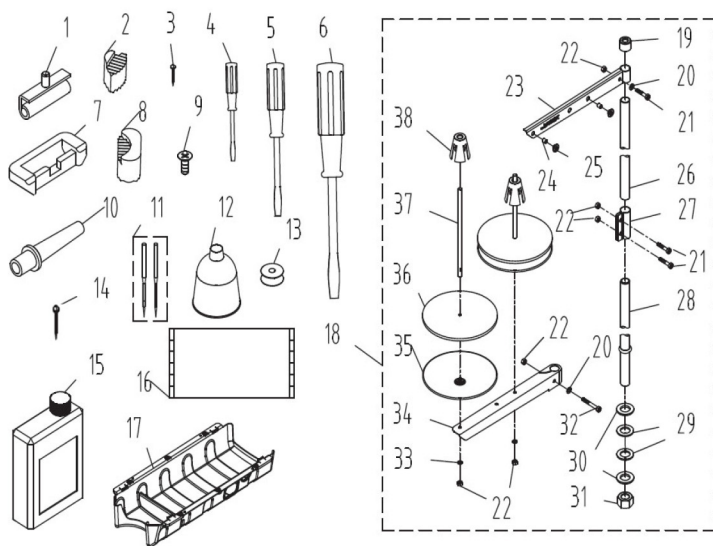
序号 NO	公司件号 Part NO	名称 PartName	零件描述 Description	数量 Number
1	101S11001	螺钉SM3/16"×28 L=9	Screw SM3/16"×28 L=9	1
2	1383004700	倒缝开关组件	Auto reverse feed switch asm	1
3	116S30003	螺钉SM15/64"×28 L=14.5	Screw SM15/64"×28 L=14.5	2
4	W02004	GB/T93-1987弹垫M6	Spring washer M6	2
5	11628005	拾牙叉固定螺钉垫圈	Washer	2
6	1383003400	自动倒送料电磁铁	Auto reverse feed solenoid	1
7	1383003500	自动倒送料电磁铁 (-7)	Auto reverse feed solenoid (-7)	1
8	11326005	销子	Pin	1
9	113829001	R形弹性开口销φ1.5	Cotter pin	1
10	11322040	橡胶垫片	Rubber plunger	1
11	11328031	垫片	Washer	1
12	H05014	GB/T896-1986开口挡圈12	Snap ring 12	1
13	11227006	自动倒送料连杆顶簧	Plunger spring	1
14	13812034	自动倒送料连杆	Auto reverse feed connecting rod	1
15	141S16014	曲柄短螺母SM11/64"×40	Nut SM11/64"×40	2
16	141S20004	曲柄短螺钉SM11/64"×40	Hinge Screw SM11/64"×40	1
17	112S16007	曲柄长螺母SM1/4"×28	Nut SM1/4"×28	1
18	14104005	自动倒送料曲柄	Auto reverse feed crank	1
19	112S20001	曲柄长螺钉 SM1/4"×28	Hinge Screw SM1/4"×28	1
20	13812371	自动倒送料拉杆	Auto reverse feed pull shaft	1
21	1138NS12001	螺钉SM9/64"×40	Screw SM9/64"×40	1
22	113811004	尼龙扎带	Cable band	8
23	1413003300	短线头电磁铁组件	Thread trimmer solenoid asm	1
24	14112002	短线头电磁铁支架 (-7)	Bracket (-7)	1
25	113812006	短线头电磁铁支架 (-7)	Bracket (-7)	1
26	101S11026	螺钉SM15/64"×28 L=9	Screw SM15/64"×28 L=9	2
27	N01001	螺母M4	Nut M4	2
28	113822005	垫圈	Rubber ring	1
29	112S16006	螺母SM1/4"×40	Nut SM1/4"×40	1
30	W01013	GB/T97.1-1985垫圈4.5	Washer	2
31	14126001	短线头电磁铁顶销	Pin	1
32	14105001	短线头连杆	Rod	1
33	14127001	复位扭簧	Lower sensor	1
34	141S20001	倒送料连杆轴位螺钉	Hinge Screw	1
35	141S20003	轴位螺钉	Hinge Screw	1
36	14105002	辅助连杆	Rod	1

10



10. 油盘、膝抬压脚分组件/Oil Reservoir & Knee Lifter Components

序号 NO	公司件号 Part NO	名称 PartName	零件描述 Description	数量 Number
1	114101010	油盘	Oil reservoir	1
2	14022001	油盘密封垫	Seal	1
3	H05012	开口挡圈4(日标)	Snap ring 4	1
4	40128013	垫圈 6.2×13×1	Washer 6.2×13×1	2
5	14327002	顶帽弹簧	Knee lifter push rod Spring	1
6	11211005	自锁式尼龙扎带	Cable band	1
7	114111012	顶帽组件	Knee lifter push rod	1
8	114122009	顶帽防护帽	Knee lifter push rod hat	1
9	101S11023	螺钉SM3/16"×28 L=6.5	Screw SM3/16"×28 L=6.5	1
10	10131001	油盘磁铁	Oil reservoir magnet	1
11	1401202700	抬压脚双向曲柄组件	Lifting foot bidirectional crank asm.	1
12	10112027	抬压脚双向曲柄	Knee lifter crank	1
13	14027016	双向曲柄扭簧	Knee lifter spring	1
14	H05010	挡圈9	Snap ring 9	1
15	1400200100	抬压脚轴组件	Knee lifter shaft	1
16	S07020	螺钉M6 L=20	Screw M6 L=20	2
17	101S16004	螺母M6	Nut M6	2
18	101S12002	螺钉M6 L=24.5	Screw M6 L=24.5	1
19	S05240	螺钉M6 L=20	Screw M6 L=20	4
20	20528014	油盘放油垫圈	Ring	1
21	301S11015	螺钉SM3/8"×28 L=13	Screw SM3/8"×28 L=13	1
22	113S11004	螺钉M4 L=8	Screw M4 L=8	1
23	114112021	电线压板	Wire clamp	1



11. 机头附件/Machine Head Accessories

序号NO	公司件号	Part NO	名称	PartName	零件描述	Description	数量	Number
1	1011203100		机头连接钩部件		Hinge component		2	
2	14022022		机头座垫		Die cushion		2	
3	101S30010		机头连接钩座钉 (P19)		Head connecting rubber cushion (P19)		2	
4	10131004		螺丝刀 (小)		Screw driver (small)		1	
5	10131003		螺丝刀 (中)		Screw driver (medium)		1	
6	20731047		螺丝刀 (大)		Screw driver (large)		1	
7	10122060		机头连接钩座		Head connecting rubber cushion		2	
8	14022023		机头支架		Nose support		2	
9	101S30014		木螺钉M4 L=20		Wood screw M4 L=20		6	
10	115011003		机头支柱		Machine head rest pin		1	
11	13817001		机针DB×1#14		NeedleDB×1#14		4	
11	10117002		机针DP×5#21 (厚料)		NeedleDP×5#21 (H)		4	
12	20131039		漏斗		Funnel		1	
13	10118003		梭心		Bobbin		2	
14	1141NS30001		机头连接钩座钉 (P25)		Head connecting rubber cushion (P25)		4	
15	1381101200		油箱部件		Oiler component		1	
16	114131001		防尘罩		Dust cover		1	
17	14011001		油盘托盘		Disk tray		1	
18	1383100300		线架组件		Thread stand asm.		1	
19	20131019		线架杆顶防护橡皮		Spool rest rod rubber cap		1	
20	W01047		垫圈M5		Washer M5		2	
21	S04050		螺钉M5 L=16		Screw M5 L=16		3	
22	N01034		螺母M5		Nut M5		6	
23	13831022		上线架过线杆		Spool rest arm upper		1	
24	10113011		过线圈 (内)		Thread guide ring		2	
25	10113010		过线圈 (外)		Thread guide ring		2	
26	13831019		线架杆上节		Spool rest rod upper		1	
27	13831021		线架杆接头		Spool rest rod joint		1	
28	13831020		线架杆下节		Spool rest rod lower		1	
29	10122106		橡胶垫圈		Spool rest rod rubber ring		2	
30	W01052		垫圈M16		Washer M16		2	
31	N02004		螺母M16		Nut M16		1	
32	S04051		螺钉M5 L=31.5		Screw M5 L=31.5		1	
33	W03002		弹簧垫圈M5		Spring washer M5		2	
34	13831023		下线架过线杆		Spool rest arm lower		1	
35	13831024		线盘		Spool rest		2	
36	20131010		线盘垫		Spool rest cushion		2	
37	20131006		线盘钉		Spool pin		2	
38	13831025		线团防松垫		Spool retainer		2	

杰克缝纫机股份有限公司

杰克缝纫机
全球销量遥遥领先

公司地址(Address of Company) :

中国浙江省台州市椒江区三甲东海大道东段1008号

NO.1008, DONGHAI AVENUE EAST, JIAOJIANG DISTRICT,TAIZHOU CITY, ZHEJIANG

邮编(Zip Code): 318000

国内销售部(Domestic Trade Department):

电话(TEL): 0086-0576-8817778 8817779

传真(FAX): 0086-0576-88177758

国贸销售部(International Trade Department):

电话(TEL): 0086-0576-8817778 8817774

传真(FAX): 0086-0576-88177787

服务热线: 400-8876858

http://www.chinajack.com

资料如有更改, 恕不另行通知, 以实物为准。

You will be not informed if the file has been revised.Please set sample as standard.

日期: 2020.12



请您扫下杰克服务号