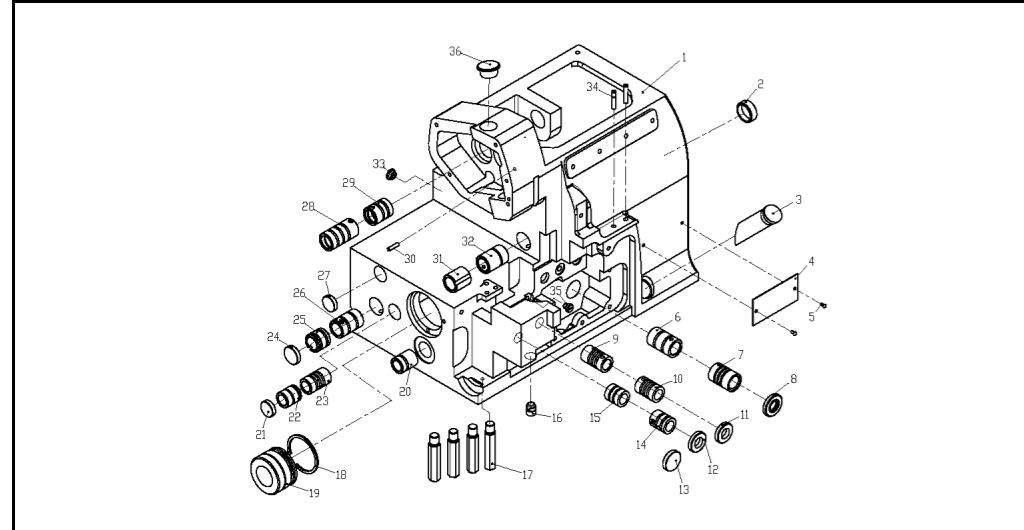


# JACK

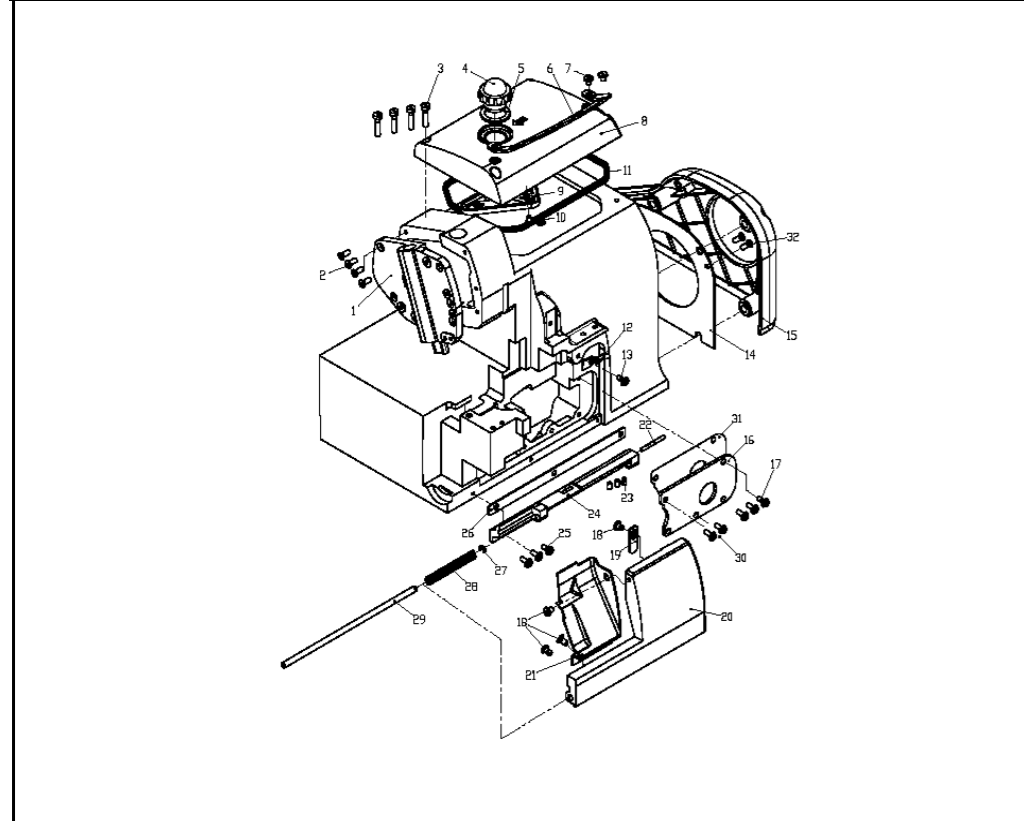
快速服务 100%

JK-800



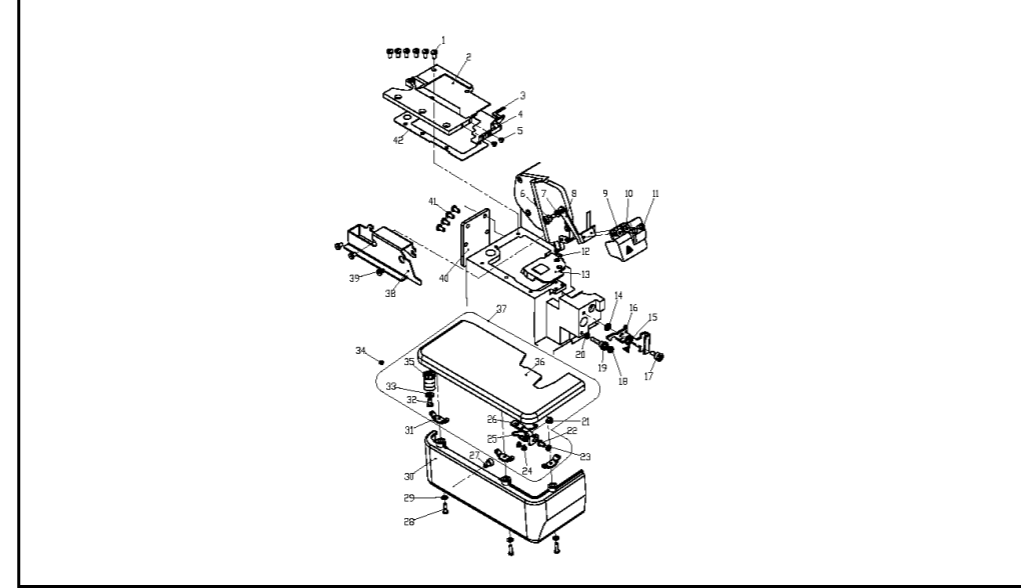
### 一、机壳部件 Machine Bed Frame

序号 NO.	公司件号 Part No.	名称	Description	数量 (Number)		
				三线 three-thread	四线 four-thread	五线 five-thread
1	302531	机壳	Machine Bed Complete	1	1	1
2	20122005	油封	Oil seal	1	1	1
3	20111010	油标	Oil sight	1	1	1
4	20137001	型号牌	Machine model plate	1	1	1
5	R03001	铆钉	Rivet	2	2	2
6	20103039	上弯针轴后套筒	Sleeve	1	1	1
7	20703001	上弯针轴前套筒	Sleeve	1	1	1
8	20122025	上弯针轴油封	Oil seal	1	1	1
9	20103038	下弯针轴后套筒	Sleeve	1	1	1
10	20103037	下弯针轴前套筒	Sleeve	1	1	1
11	20622019	下弯针轴油封	Oil seal	1	1	1
12	20622019	缝线弯针轴油封	Oil seal	0	0	1
13	20122040	缝线弯针轴油封	Oil seal	1	1	0
14	20103013	前弯针轴前套筒	Sleeve	0	0	1
15	20103014	前弯针轴后套筒	Sleeve	0	0	1
16	2012603100	滤油筛组件	Oil filter pin component	1	1	1
17	20130006	螺钉SM5/16"×24	Screw	4	4	4
18	20129001	卡簧	Ring	1	1	1
19	20103003	主轴左套筒	Sleeve	1	1	1
20	20103017	差动轴套筒	Sleeve	1	1	1
21	20122028	油封	Oil seal	0	0	1
21	20122008	油封	Oil seal	1	1	0
22	20103016	横轴左套筒	Sleeve	0	0	1
23	20103038	横轴右套筒	Sleeve	0	0	1
24	20122009	送布轴油封	Oil seal	1	1	1
25	20103050	送布轴左套筒	Sleeve	1	1	1
26	20103047	送布轴右套筒	Sleeve	1	1	1
27	20122008	油封	Oil seal	1	1	1
28	20703002	上轴左套筒	Sleeve	1	1	1
29	20703001	上轴右套筒	Sleeve	1	1	1
30	P03042	圆柱销φ5×22	Pin	1	1	1
31	20103049	上刀轴左套筒	Sleeve	1	1	1
32	20103024	上刀轴右套筒	Sleeve	1	1	1
33	20122003	油封	Oil seal	1	1	1
34	20113013	过线管	Pipe	2	2	2
35	201S11039	螺钉SM15/64"×28	Pipe	1	1	1
36	20722004	油塞	Oil seal	1	1	1



### 二、罩壳部件 (1) Cover Assemblies (1)

序号 NO.	公司件号 Part No.	名称	Description	数量 (Number)		
				三线 three-thread	四线 four-thread	五线 five-thread
1	302036	侧盖	Side Cover	1	1	1
2	207S17005	螺钉M4×10	Screw	4	4	4
3	201S11025	螺钉	Screw	4	4	4
4	20111005	油标盖	Oil sight window	1	1	1
5	20122018	油标盖垫	Oil level gauge washer	1	1	1
6	20112013	过线架	Thread guide supporter	1	1	1
7	206S11005	螺钉	Screw	2	2	2
8	302529	上盖	Upper cover	1	1	1
8	302638	上盖▲	Upper cover	1	1	1
9	20112103	接油斗	Oil guard	1	1	1
10	S01035	螺钉M4×7.5	Screw	3	3	3
11	20122202	上盖密封垫	Upper cover washer	1	1	1
12	20112020	前罩挡板簧	Front cover snap guard	1	1	1
13	201S11014	螺钉SM11/64"×40	Screw	1	1	1
14	20112091	机壳右盖板	Right Cover	1	1	1
15	20111054	皮带轮罩	Belt Cover Assembly	1	1	1
15	20111060	皮带轮罩(无字)	Belt Cover Assembly	1	1	1
16	20112012	上弯针密封板	Upper looper sealing plate	1	1	1
17	201S11016	螺钉SM11/64"×40	Screw	2	2	2
18	201S11009	螺钉SM9/64"×40	Screw	4	4	4
19	20112017	前罩簧片	Front spring	1	1	1
20	301642	前罩	Front cover	1	1	1
21	20112100	前罩挡板	Front cover guard	1	1	0
21	20112101	前罩挡板	Front cover guard	0	0	1
22	20126003	前罩短销	Pin	1	1	1
23	201S15001	螺钉SM9/64"×40	Screw	3	3	3
24	20101007	前罩架	Front cover hinge	1	1	1
25	201S11038	螺钉SM9/64"×40	Screw	3	3	3
26	20122017	前罩架垫	Front cover hinge washer	1	1	1
27	H05002	卡簧	Snap spring	1	1	1
28	20127005	前罩架簧	Front cover hinge spring	1	1	1
29	20126004	前罩销	Hinge Pin	1	1	1
30	201S11018	螺钉SM11/64"×40	Screw	2	2	2
31	20122015	上弯针密封板垫	Upper looper sealing plate washer	1	1	1
32	S01010	螺钉M4×8	Screw	2	2	2

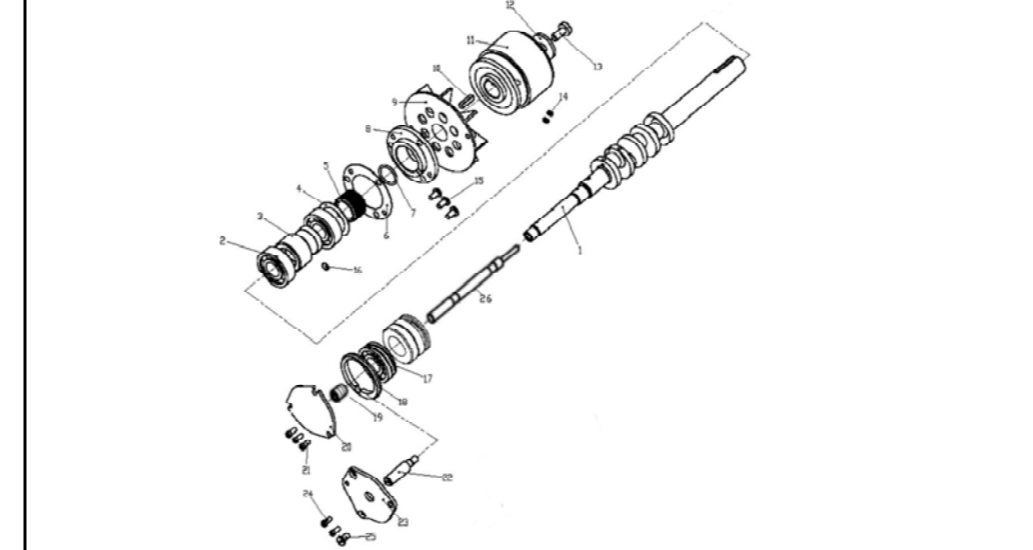


### 三、罩壳部件 (2) Cover Assemblies (2)

序号 NO.	公司件号 Part No.	名称	Description	数量 (Number)		
				三线 three-thread	四线 four-thread	五线 five-thread
1	201S11016	螺钉	Screw	5	5	5
2	20101004	盖板(无字)	Cover	1	1	1
3	20122024	挡板垫	Plate washer	1	1	1
4	20101019	挡板	Plate	1	1	1
5	201S12009	螺钉SM9/64"×40	Screw	2	2	2
6	206S20004	螺钉M4×3.7	Screw	1	1	1
7	20128015	波形垫圈	Washer	1	1	1
8	20112098	托架	Bracket	1	1	1
9	20711005	防护罩	Eye guide	1	1	0
9	20711019	防护罩	Eye guide	0	0	1
10	S01034	螺钉M3×5.7	Screw	2	2	2
11	W01011	垫片	Washer	2	2	2
12	201S17004	螺钉SM1/8"×44	Screw	2	2	2
13	20111003	挡油罩	Oil baffle cover	1	1	1
14	20128030	缝台盖板手垫圈	Washer	2	2	2
15	20127004	板手弹簧	Cloth Plate cover spring	1	1	1
16	20112011	缝台板手	Cloth Plate slider cover	1	1	1
17	201S20003	板手螺钉	Screw	1	1	1
18	20122011	胶套	Rubber bushing	1	1	1
19	201S30011	缝台盖防尘螺钉	Screw	1	1	1

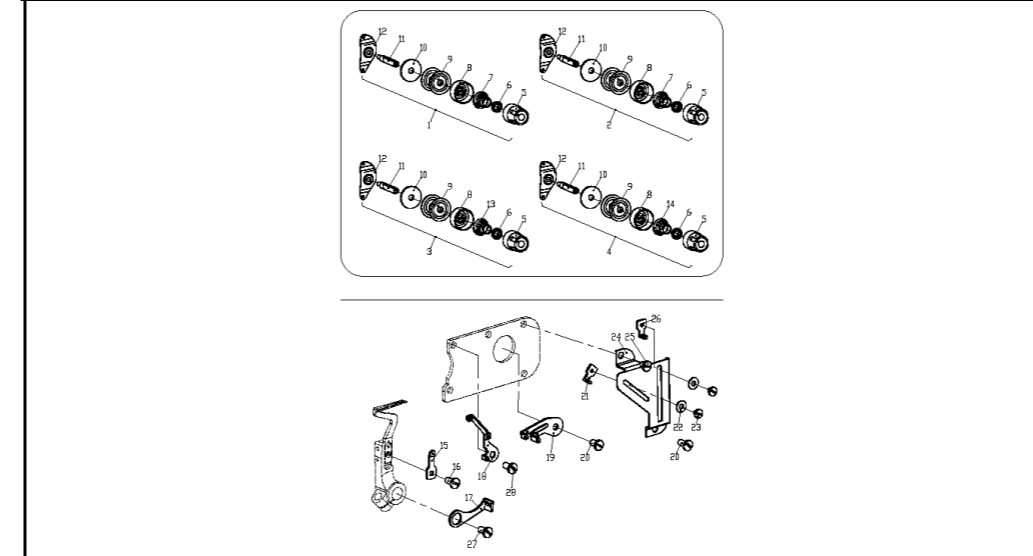
零件手册  
Parts Manual

20	201S16003	螺母	Nut	1	1	1
21	20122012	防震垫	Rubber bushing	1	1	1
22	201S30007	螺钉SM9/64"×40	Screw	1	1	1
23	201S16001	螺母	Nut	1	1	1
24	201S11006	螺钉	Screw	2	2	2
25	20127003	缝台盖开启弹簧	Spring	1	1	1
26	20112009	大盖头垫	Pedestal	1	1	1
27	20122013	胶套	Rubber bushing	1	1	1
28	201S11037	螺钉SM9/64"×40	Screw	3	3	3
29	20128019	缝台盖壳螺钉垫片	Washer	3	3	3
30	20111206	缝台下罩壳	Cloth palte lower Plate	1	1	1
31	20112008	罩壳连接板	Casing connection plate	3	3	3
32	201S20010	螺钉M4×5	Screw	1	1	1
33	W02004	弹簧垫圈	Washer	1	1	1
34	201S14002	缝台偏心轴螺钉	Screw	1	1	1
35	20103065	缝台偏心套筒	Sleeve	1	1	1
36	20112006	缝台盖板	Bed cover plate	1	1	1
37	2011208100	缝台盖板组件	Cloth Plate	1	1	1
38	20112202	缝料挡板	Fabric Guide	1	1	1
39	S01002	螺钉M4×6.5	Screw	3	3	3
40	20112002	后罩板	Cover Plate	1	1	1
41	201S11016	螺钉SM11/64"×40	Screw	4	4	4
42	20122007	盖板垫	Cover Washer	1	1	1



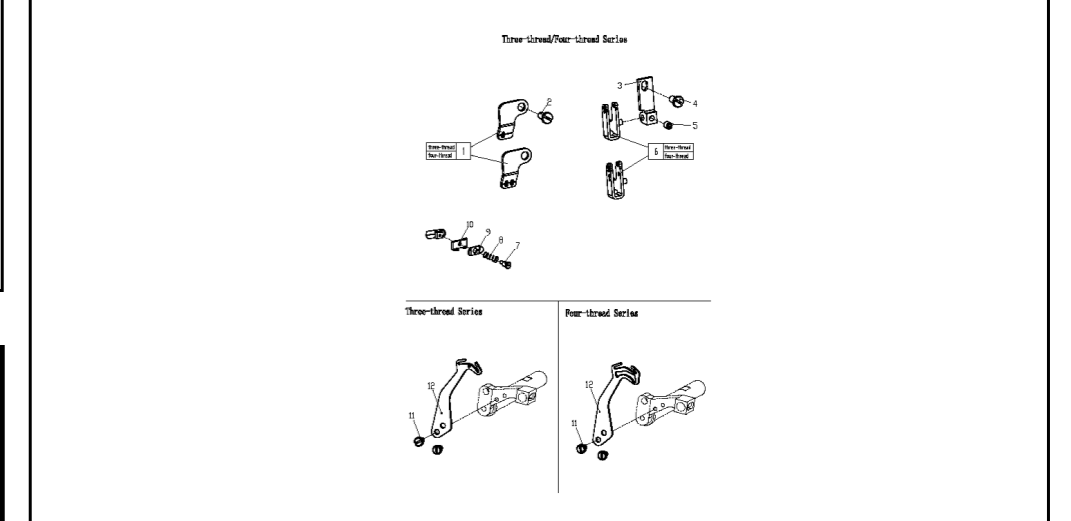
### 四、主轴部分 Main Shaft Assemblies

序号 NO.	公司件号 Part No.	名称	Description	数量 (Number)		
				三线 three-thread	四线 four-thread	五线 five-thread
1	20102205	主轴	Main shaft	1	0	0
1	20102204	主轴(厚料)	Main shaft	1	1	1
2	B03001	轴承	Bearing	2	2	2
3	20125001	油泵蜗杆	Oil Pump worm	1	1	1
4	20128002	主轴弹簧垫圈	Main shaft spring washer	1	1	1
5	20103067	主轴中轴套	Main shaft bysgub asm	1	1	1
6	20122019	滚针轴承制动垫	Washer	1	1	1
7	001003	O型圈16X1.8	Seal ring	1	1	1
8	20101008	轴承制动盖	Rear shaft spring cover	1	1	1
8	20101074	轴承制动盖(D)	Rear shaft spring cover	1	1	1
9	20111008	冷却风扇	Wheel	1	1	1
10	20101012	皮带轮方键	Key	1	1	1
11	300076	皮带轮	Pulley	1	1	1
12	20128024	垫圈	Washer	1	1	1
13	201S11034	螺钉	Screw	1	1	1
14	201S15004	螺钉	Screw	2	2	2
15	201S11016	螺钉	Screw	3	3	3
16	201S14002	螺钉	Screw	1	1	1
17	20124003	轴承	Bearing	1	1	1
18	20122046	轴承盖油封	Washer	1	1	1
19	201S11047	堵油螺钉	Screw	1	1	0
20	20112106	三四线左盖板	Cover	1	1	0
21	S01010	螺钉M4×8	Screw	3	3	0
22	20126024	凸轮轴	Bulgy pulley shaft	0	0	1
23	20112107	五线左盖板	Cover	0	0	1
24	207S17005	螺钉M4×8	Screw	0	0	2
25	S01010	螺钉M4×8	Screw	0	0	1
26	堵油销	20726002	Pin	1	1	1



### 五、过线部件 (1) Thread Guide and Thread Takeup (1)

序号 NO.	公司件号 Part No.	名称	Description	数量 (Number)		
				三线 three-thread	四线 four-thread	五线 five-thread
1	400662	夹线器组件(红)	Tension Spring Assembly (Yellow)	0	1	1
2	400661	夹线器组件(黄)	Tension Spring Assembly (Red)	1	1	1
3	400663	夹线器组件(蓝)	Tension Spring Assembly (Blue)	1	1	1
4	400668	夹线器组件(绿)	Tension Spring Assembly (Green)	1	1	1
5	20711034	调压螺母	Knob	3	4	4
6	30111006	调压止动套	Ratchet	3	4	4
7	20127018	调压簧(强)	Thread tension spring	2	2	2
8	30111005	调压止动盖	Cup	3	4	4
9	20112057	夹线片	Tension Disc	6	8	8
10	20623008	夹线片垫	Felt	3	4	4
11	201S30016	夹线螺钉	Screw Stud	3	4	4
12	20113002	过线板	Thread guide	3	4	4
13	20127020	调压簧(弱)	Thread tension spring	1	1	1
14	20127019	调压簧(中)	Thread tension spring	1	1	1
15	20113016	下弯针过线	Lower looper thread guide	1	1	1
16	206S11002	螺钉SM9/64"×40	Lower looper	1	1	1
17	20113032	上弯针轴过线板	Thread guide	1	1	1
18	20113033	上弯针三孔过线	Lower looper3-thread guide	1	1	1
19	20113034	两眼过线板	Thread guide	1	1	1
20	201S11018	螺钉SM11/64"×40	Screw	2	2	2
21	20113035	上弯针过线	Upper looper thread guard	1	1	1
22	20128020	弯针过线垫圈	Thread guide washer	2	2	2
23	201S11006	螺钉SM1/8"×44	Thread guide screw	2	2	2
24	20112027	调线刻度板	Thread amount regulating plate	1	1	1
25	201S11014	螺钉SM11/64"×40	Screw	1	1	1
26	20113015	下弯针过线	Lower looper thread guide	1	1	1
27	201S11016	螺钉	Screw	1	1	1
28	201S11018	螺钉	Screw	1	1	1

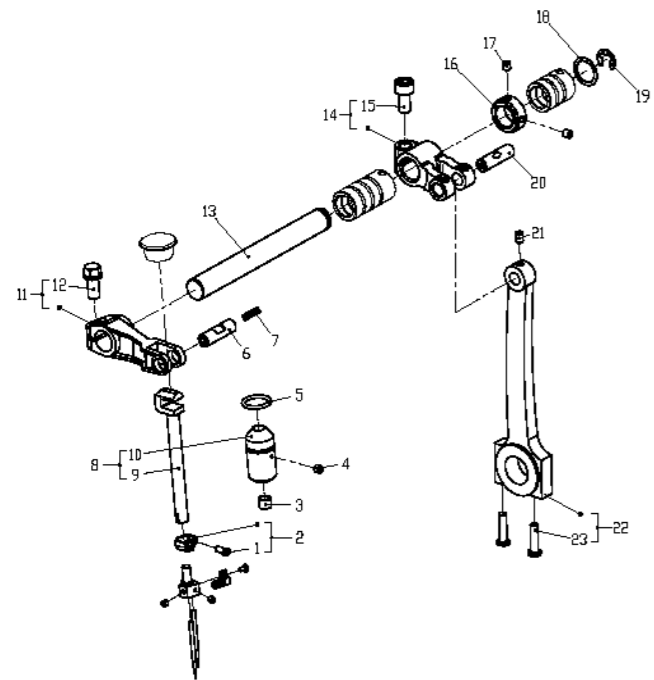


### 六、过线部件 (2) Thread Guide and Thread Takeup (2)

序号 NO.	公司件号 Part No.	名称	Description	数量 (Number)		
				三线 three-thread	四线 four-thread	五线 five-thread
1	20113208	过线	Thread Guide	1	0	0
1	20113207	过线	Thread Guide	0	1	0
2	207S11019	螺钉M4×7.5	Screw	1	1	0
3	20701010	托架	Bracket	1	1	0
4	207S11019	螺钉M4×7.5	Screw	1	1	0
5	S10007	螺钉M4×4	Screw	1	1	0
6	20713002	过				

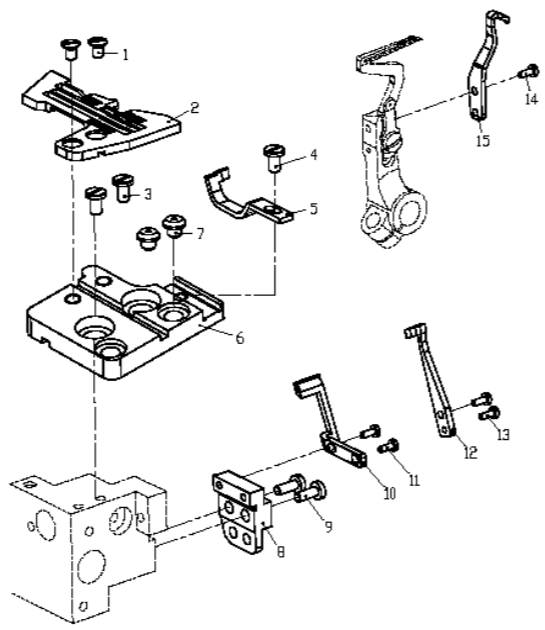
七、过线部件 (3) Thread Guide and Thread Takeup (3)

序号 NO.	公司件号 Part NO.	名称	Description	数量 (Number)		
				三线 three-thread	四线 four-thread	五线 five-thread
1	20701029	托架	Bracket	0	0	1
2	20713021	过线	Thread Guide	0	0	1
3	20713022	过线	Thread Guide	0	0	1
3	20713050	过线 (56)	Thread Guide	0	0	1
4	S01031	螺钉M4×4.7	Screw	0	0	3
5	20713023	过线	Thread Guide	0	0	1
5	20713051	过线 (56)	Thread Guide	0	0	1
6	20113205	挑线杆	Thread Takeup	0	0	1
6	20113206	挑线杆 (56)	Thread Takeup	0	0	1
7	S10007	螺钉M4×4	Screw	0	0	2
8	20713020	过线	Thread Guide	0	0	1
9	207S11019	螺钉M4×7.5	Screw	0	0	2
10	20701030	托架 (56)	Bracket	0	0	1
11	201S11009	螺钉	Screw	0	0	2



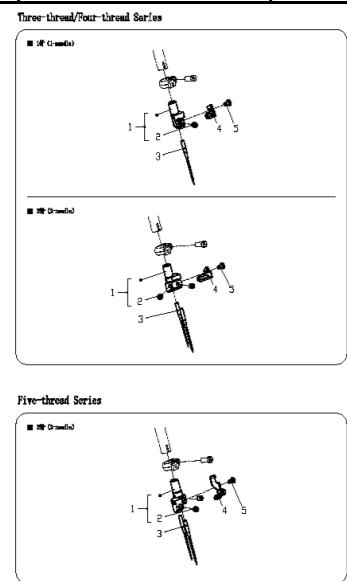
九、针杆部件 (2) Needle Drive Mechanism (2)

序号 NO.	公司件号 Part NO.	名称	Description	数量 (Number)		
				三线 three-thread	四线 four-thread	五线 five-thread
1	****	针夹头	Needle Holder Assembly	0	1	0
1	****	针夹头	Needle Holder Assembly	1	0	0
1	****	针夹头 (35)	Needle Holder Assembly	0	0	1
1	****	针夹头 (55)	Needle Holder Assembly	0	0	1
1	****	针夹头 (56)	Needle Holder Assembly	0	0	1
2	S10026	螺钉M3×3	Screw	2	2	2
3	****	机针 (#11)	Needle	0	2	0
3	****	机针 (#9)	Needle	1	0	0
3	****	机针 (#14)	Needle	0	0	2
3	****	机针 (#19)	Needle	0	0	2
4	20713018	过线	Thread Guide	0	1	0
4	20713038	过线	Thread Guide	1	0	0
4	20713017	过线	Thread Guide	0	0	1
5	207S11024	螺钉M2×3	Screw	1	1	1



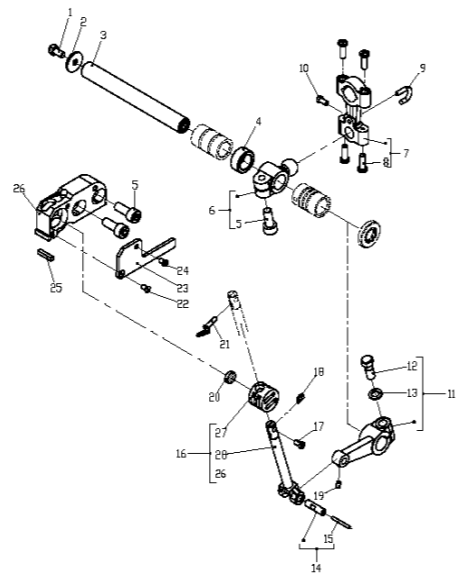
八、针杆部件 (1) Needle Drive Mechanism (1)

序号 NO.	公司件号 Part NO.	名称	Description	数量 (Number)		
				三线 three-thread	四线 four-thread	五线 five-thread
1	207S11023	螺钉M3×6	Screw	1	1	1
2	20708005	挡圈	Ring	1	1	1
3	20723003	毛毡	Oil Felt	1	1	1
4	207S14008	螺钉M4×5	Screw	1	1	1
5	001026	O型圈11.5×1.5	O Ring	1	1	1
6	20726003	曲柄销	Pin	1	1	1
7	20523005	油线	Oil wick	0.25	0.25	0.25
8	2060303100	针杆曲柄组件	Lever	1	1	1
9	20702003	针杆	Needle Bar	1	1	1
10	20603030	针杆套	Bushing	1	1	1
11	20704002	针杆曲柄	Lever	1	1	1
12	207S12002	螺钉M6×0.75	Screw	1	1	1
13	20702002	上轴	Shaft	1	1	1
14	20104201	上轴曲柄	Crank	1	0	0
14	20104204	上轴曲柄 (厚料)	Crank	0	1	1
15	S05017	螺钉M6×0.75	Screw	1	1	1
16	20708004	上轴挡圈	Collar	1	1	1
17	S10007	螺钉M4×4	Screw	2	2	2
18	20628014	垫片	Washer	1	1	1
19	H05008	挡圈	Ring	1	1	1
20	20126025	曲柄销	Pin	1	1	1
21	S10008	螺钉M4×6	Screw	1	1	1
22	20105203	针杆连杆	Connection	1	1	1
23	201S20015	螺钉M4×16	Screw	2	2	2



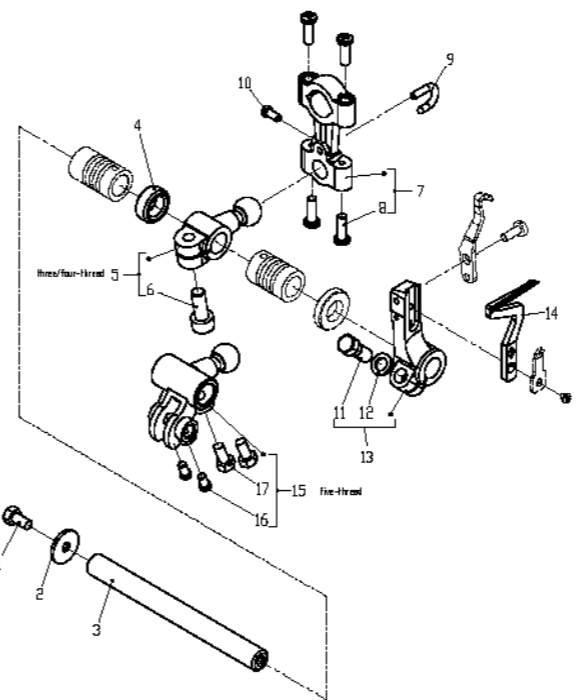
十、针杆部件 (3) Needle Drive Mechanism (3)

序号 NO.	公司件号 Part NO.	名称	Description	数量 (Number)		
				三线 three-thread	四线 four-thread	五线 five-thread
1	201S17005	螺钉SM11/64"×40	Throat screw	2	2	2
2	****	针板	Needle plate	1	0	0
2	****	针板 (16S)	Needle plate	1	0	0
2	****	针板	Needle plate	0	1	0
2	****	针板 (35)	Needle plate	0	0	1
2	****	针板 (55)	Needle plate	0	0	1
2	****	针板 (56)	Needle plate	0	0	1
3	201S11029	螺钉SM11/64"×40	Throat plate bracket screw	2	2	2
4	201S11008	螺钉SM11/64"×40	Front needle snap screw	1	1	1
5	****	前护针档	Front needle guard	1	1	0
5	****	前护针档	Front needle guard	0	0	1
6	20101016	针板座	Throat plate bracket	1	1	1
7	20122011	胶套	Rubber bushing	2	2	2
8	20101017	护针档座	Needle guard bracket	1	1	0
8	20101018	护针档座	Needle guard bracket	0	0	1
9	201S11022	螺钉	screw	2	2	2
10	****	护针II	Needle guard II	0	0	1
11	201S11003	螺钉	screw	0	0	2
12	****	护针档I	Needle guard I	0	0	1
13	201S11003	螺钉SM3/32"×56	screw	0	0	2
14	201S12009	螺钉SM9/64"×40	screw	1	1	1
15	****	护针档	Teat needle guard	1	1	1



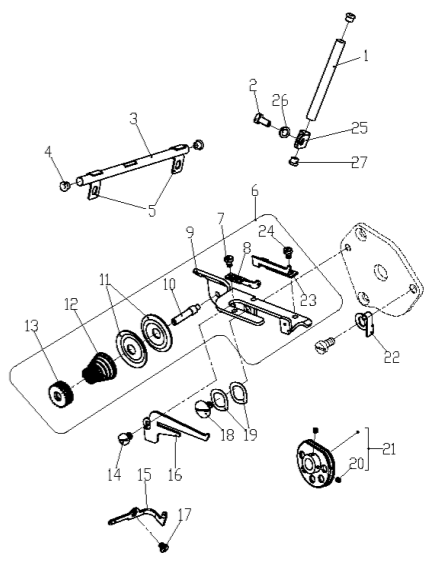
十一、上弯针部分 Upper Looper Assemblies

序号 NO.	公司件号 Part NO.	名称	Description	数量 (Number)		
				三线 three-thread	四线 four-thread	五线 five-thread
1	201S12005	螺钉SM11/64"×40	Upper looper shaft screw	1	1	1
2	20128007	大垫圈	Big washer	1	1	1
3	20102006	上弯针轴	Upper looper shaft	1	1	1
4	20128005	厚垫圈	Thickness washer	1	1	1
5	201S13003	螺钉SM15/64"×28	Screw	3	3	3
6	400337	上弯针摆动曲柄	Upper looper crank bearing	0	1	1
6	400457	上弯针摆动曲柄	Upper looper crank bearing	1	0	0
7	400017	弯针连杆	Looper link	1	1	1
8	201S20015	连杆螺钉	Shaft screw	4	4	4
9	20126010	弯针连杆摆架	Looper link holder	1	1	1
10	201S11035	螺钉SM1/8"×44	Screw	1	1	1
11	20104004	上弯针轴曲柄	Upper looper shaft crank	1	1	1
12	201S12007	螺钉SM15/64"×28	Screw	1	1	1
13	20128021	垫圈	Washer	1	1	1
14	20126011	插杆销	Connecting rod shaft pin	1	1	1
15	20123021	油线	Oil wick	1	1	1
16	2010121000	上弯针滑杆组件	Upper looper slide crank component	1	1	1
17	201S11007	螺钉SM9/64"×40	Screw	1	1	1
18	20112023	插杆垫片	Washer	1	1	1
19	S10005	曲柄顶丝M3×3	Link pin set screw	1	1	1
20	20123009	油毡	Oil felt	1	1	1
21	****	上弯针	Looper	1	1	1
21	****	上弯针	Looper	1	1	1
22	201S17006	螺钉SM1/8"×44	Screw	1	1	1
23	20112026	导架座挡板	Thread holder snap plate	1	1	1
24	201S11005	螺钉SM1/8"×44	Screw	1	1	1
25	20122026	油封垫	Oil wick	1	1	1
26	20101206	上弯针轴导架座	Upper looper shaft slide bar bracket	1	1	1
27	20109001	上弯针轴导架座	Upper looper slide block	1	1	1
28	20104005	上弯针插杆	Upper looper shaft bar	1	1	1



十二、下弯针部分 Lower Looper Assemblies

序号 NO.	公司件号 Part NO.	名称	Description	数量 (Number)		
				三线 three-thread	四线 four-thread	五线 five-thread
1	201S12005	下弯针轴螺钉	Low looper shaft screw	1	1	1
2	20128007	下弯针轴垫圈	Lower looper shaft washer	1	1	1
3	20102007	下弯针轴	Lower looper shaft	1	1	0
3	20102008	下弯针轴	Lower looper shaft	0	0	1
4	20128009	厚垫圈	Washer	1	1	0
5	400223	下弯针摆动曲柄	Lower looper crank	1	1	0
6	201S13003	螺钉SM15/64"×28	Screw	1	1	1
7	400017	弯针连杆	Looper link	1	1	1
8	201S20015	连杆螺钉	Shaft screw	4	4	4
9	20126010	弯针连杆摆架	Looper link holder	1	1	1
10	201S11035	螺钉SM1/8"×44	Screw	1	1	1
11	201S12007	螺钉SM15/64"×28	Screw	1	1	1
12	20128021	下弯针架垫圈	Lower looper holder washer	2	2	2
13	20104008	下弯针架	Lower looper holder	1	1	0
13	20104025	下弯针架	Lower looper holder	0	0	1
14	****	下弯针	Lower looper	1	1	0
14	****	下弯针	Lower looper	0	0	1
15	20104010	下弯针摆动曲柄	Lower looper crank	0	0	1
16	201S11007	螺钉SM9/64"×40	Screw	0	0	2
17	201S20013	螺钉SM1/4"×40	Screw	2	2	2



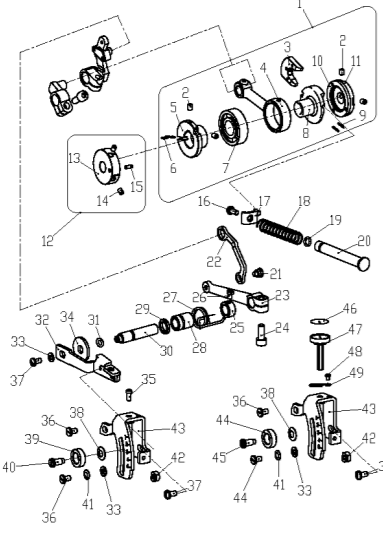
十三、前弯针部分 Front Looper Assemblies

序号 NO.	公司件号 Part NO.	名称	Description	数量 (Number)		
				三线 three-thread	四线 four-thread	五线 five-thread
1	201S12002	前弯针曲柄螺钉	Front looper crank screw	0	0	4
2	20108001	挡圈	Snap ring	0	0	1
3	20109002	前弯针滑块	Front looper slide block	0	0	1
4	20104013	驱动曲柄	Driving crank	0	0	1
5	20101021	驱动摩	Driving lever	0	0	1
6	201S14002	螺钉	Driving lever set screw	0	0	3
7	20129003	卡簧	Snap ring	0	0	1
8	201S30009	驱动曲柄螺钉	Driving lever set screw	0	0	1
9	20102010	横轴	Horizontal shaft	0	0	1
10	201S16002	曲柄调节螺母	Nut	0	0	1
11	20104014	横轴曲柄	Horizontal shaft crank	0	0	1
12	20126014	曲柄销	Pin	0	0	1
13	2010402300	曲柄连杆凸轮组件	Shaft link crank	0	0	1
14	20105003	横轴连杆	Horizontal shaft link	0	0	1
15	20124002	连杆滚针轴承	Needle bearing	0	0	1
16	20112028	轴承挡圈	Snap ring	0	0	1
17	201S17001	螺钉SM3/32"×56	Screw	0	0	2
18	20102009	前弯针轴	Front looper shaft	0	0	1
19	20609017	连板	Regulating plate	0	0	1
20	20126013	调节板销	Regulating plate pin	0	0	2
21	****	前弯针	Front looper	0	0	1
22	20128014	前弯针调节垫片	Washer	0	0	1
23	201S11008	螺钉SM9/64"×40	Screw	0	0	1
24	201S11003	螺钉SM3/32"×56	Screw	0	0	1
25	201S12007	螺钉SM15/64"×28	Screw	0	0	1
26	20128021	下弯针架垫圈	Washer	0	0	1
27	20104011	前弯针架	Front looper shaft holder	0	0	1
28	20126022	前弯针曲柄销	Pin	0	0	1
29	20123021	油线	Oil felt	0	0	1
30	201S12005	螺钉	Screw	0	0	1
31	201S13003	螺钉SM15/64"×28	Screw	0	0	2
32	20104012	前弯针曲柄	Front looper crank	0	0	1
33	20128033	W06垫片	Washer	0	0	1

十四、打线凸轮部分 Cam Assemblies

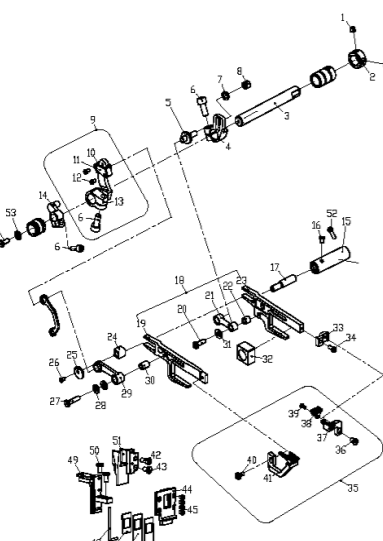
序号 NO.	公司件号 Part NO.	名称	Description	数量 (Number)		
				三线 three-thread	四线 four-thread	五线 five-thread
1	20613015	过线管	Thread guide pipe	0	0	1
2	S01010	螺钉M4×8	Screw	0	0	1
3	20113016	过线管	Thread pipe	0	0	1
4	20113025	导接管套	Thread pipe cover	0	0	2
5	20112031	过线板压板	Bracket	0	0	2
6	2061205700	打线凸轮架组件	Bracket assemblies	0	0	1
7	S01022	螺钉M3×4	Screw	0	0	1
8	20613017	凸轮架过线	Thread guide	0	0	1
9	20612057	打线凸轮架	Bracket	0	0	1
10	206S30015	螺钉M3×2	Screw	0	0	1

11	20612055	小夹线片	Tension disc	0	0	2
12	30127016	夹线簧	Spring	0	0	1
13	206S16004	夹线螺母	Nut	0	0	1
14	S01031	螺钉M4×4.7	Screw	0	0	1
15	20113023	二眼过线板	Thread guide	0	0	1
16	20612056	分线板	Thread guide	0	0	1
17	201S11014	螺钉SM1/4"×40	Screw	0	0	1
18	206S20016	螺钉M4×3	Screw	0	0	1
19	20128015	波形垫圈	Flat spring	0	0	2
20	207S14009	打线凸轮顶丝	Cam set Screw	0	0	2
21	2011301800	打线凸轮组件	Looper thread take-up cam	0	0	1
22	20629005	卡簧	Flat spring	0	0	1
23	20629004	打线架卡簧	Thread guide	0	0	1
24	S01022	螺钉M3×4	Screw	0	0	1
25	20629003	过线管夹	Bracket	0	0	1
26	20628012	垫片	Washer	0	0	1
27	20611010	导线管套	Thread guide pipe bushing	0	0	2



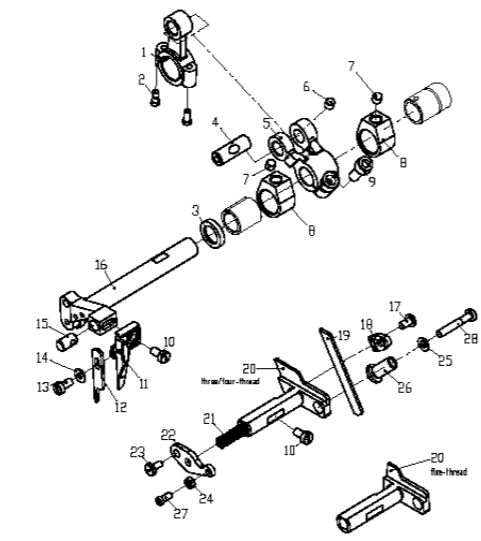
十五、差动送布部件(1) Different Feed Assemblies (1)

序号 NO.	公司件号 Part NO.	名称	Description	数量 (Number)		
				三线 three-thread	四线 four-thread	五线 five-thread
1	201050900	送布组件	Stitch length regulation cam asm	1	1	1
2	201S14002	送布凸轮调节螺钉	Screw	4	4	4
3	20109004	送布凸轮调节滑块	Stitch length regulating block	1	1	1
4	20105004	送布连杆	Feed link	1	1	1
5	20110003	送布凸轮	Feed length cam	1	1	1
6	20112035	送布凸轮簧	Feed cam spring	1	1	1
7	B07007	滚动轴承	Feed rod rolling pin bearing	1	1	1
8	20110002	针距凸轮	Stitch length cam	1	1	1
9	20127009	针距调节滑块压簧	Stitch length regulating block spring	2	2	2
10	20125002	内齿圈	Annular gear coil	1	1	1
11	20101022	内齿圈座	Annular gear coil chassis	1	1	1
12	400439	送布凸轮座组件	Feed cam pack	1	1	0
13	20110004	送布凸轮座	Feed cam	1	1	0
14	201S14002	送布凸轮调节螺钉	Screw	2	2	0
15	P01004	送布凸轮座销	Feed cam pin	1	1	0
16	201S12005	针距调节压板螺钉	Screw	1	1	1
17	20112034	针距调节压板	Stitch length regulating plate	1	1	1
18	20127008	针距调节器簧	Spring	1	1	1
19	001016	O型圈	O Ring	1	1	1
20	20102011	送布调节器杆	Stitch length regulating shaft	1	1	1
21	201S20008	差动连杆螺钉	Screw	1	1	1
22	20105005	差动连杆	Differential link	1	1	1
23	20104016	差动曲柄	Differential crank	1	1	1
24	201S13003	螺钉SM15/64"×28	Screw	1	1	1
25	20108005	挡圈	Snap ring	1	1	1
26	201S12002	挡圈螺钉	Screw	1	1	1
27	20127010	弹簧	Spring	1	1	1
28	20103017	差动轴套筒	Differential shaft bearing	1	1	1
29	20122029	油封	Oil seal	1	1	1
30	20102012	差动轴	Differential shaft	1	1	1



十六、差动送布部件(2) Different Feed Assemblies (2)

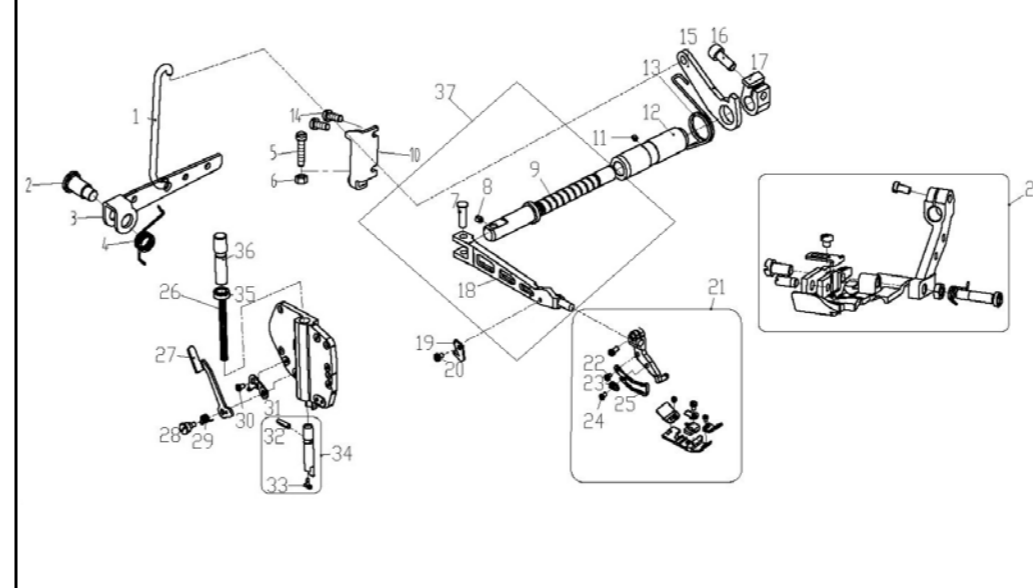
序号 NO.	公司件号 Part NO.	名称	Description	数量 (Number)		
				三线 three-thread	四线 four-thread	五线 five-thread
1	S10007	挡圈螺钉M4×4	Screw	2	2	2
2	20708004	挡圈	Collar	1	1	1
3	20102014	送布轴	Feed shaft	1	1	1
4	20104017	送布调节曲柄	Feed regulating crank	1	1	1
5	20102015	送布牙连杆偏心轴	Feed dog link eccentric shaft	1	1	1
6	201S13003	螺钉SM15/64"×28	Screw	3	3	3
7	20128021	垫圈	Washer	1	1	1
8	201S16002	螺母	Nut	1	1	1
9	2010402400	差动牙调节曲柄组件	Differential feed regulating crank	1	1	1
10	20112039	曲柄滑块盖板	Crank slide block cover	1	1	1
11	20109010	曲柄滑块	Crank slide block	1	1	1
12	201S11051	螺钉	Screw	2	2	2
13	20104018	曲柄	Crank slide	1	1	1
14	20104015	送布曲柄	Feed crank	1	1	1
15	20103018	滑块偏心轴套筒	Slid block eccentric shaft bushing	1	1	1
16	201S12002	调牙套筒螺钉	Screw	1	1	1
17	20102013	滑块偏心轴	Slid block eccentric shaft	1	1	1
18	2010600300	牙架组件	Dog spur pack	1	1	1
19	20106002	差动牙架	Differential feed dog holder	1	1	1
20	201S12003	螺钉	Screw	1	1	1
21	20105006	送布牙架连杆	Feed dog holder link	1	1	1
22	20103021	送布牙架连杆套	Feed dog holder link bushing	1	1	1
23	20106001	主送布牙架	Feed dog holder	1	1	1
24	20109008	差动送布滑块	Differential feed slide block	1	1	1
25	20628013	垫片	Washer	1	1	1
26	201S17003	螺钉SM1/8"×44	Screw	1	1	1
27	201S12004	螺钉	Screw	1	1	1
28	20128030	垫片	Washer	2	2	2
29	20105007	差动牙架连杆	Differential feed dog holder link	1	1	1
30	20103022	差动牙架连杆套	Differential feed dog holder link bushing	1	1	1
31	20128029	垫片	Washer	1	1	1
32	20109022	抬牙滑块	Feed dog lift slide block	1	1	1
33	20109006	牙连接板	Dog link plate	1	1	1
34	201S11012	螺钉SM9/64"×40	Screw	1	1	1
35	****	送料组件	Feed form	1	1	0
35	****	送料组件 (16S)	Feed form	1	0	0
35	****	送料组件 (35/55)	Feed form	0	0	1
35	****	送料组件 (56)	Feed form	0	0	1
36	201S11038	螺钉SM9/64"×40	Screw	1	1	1
37	****	主送布牙	Main feed dog	1	1	1
38	****	辅助送布牙	Main feed dog	1	1	1
39	201S11003	螺钉SM3/32"×56	Screw	1	1	1
40	201S11038	螺钉SM9/64"×40	Screw	1	1	1
41	****	差动送布牙	Differential feed dog	1	1	1
42	201S11023	螺钉	Screw	1	1	1
43	201S11018	螺钉	Screw	1	1	1
44	20109012	密封导架	Sealing connecting rod	1	1	1
45	201S11005	螺钉SM1/8"×44	Screw	4	4	4
46	20122031	密封片	Adjustable oil seal	2	2	2
47	20122050	密封片 (短)	Adjustable oil seal	1	1	1
48	20122030	密封条	Sealing connecting ring	1	1	1
49	20101023	挡油板	Screw oil plate	1	1	1
50	201S11016	螺钉	Screw	2	2	2
51	20109011	牙架导轨	Feed dog carrier connection rod	1	1	1
52	201S11021	螺钉	Screw	1	1	1
53	20128007	垫片	Washer	1	1	1
54	201S11016	螺钉SM11/64"×40	Screw	1	1	1



十七、剪切部件 Knife Drive Mechanism

序号 NO.	公司件号 Part NO.	名称	Description	数量 (Number)		
				三线 three-thread	四线 four-thread	五线 five-thread
1	20105202	上刀连杆	Connection	1	1	1
2	201S20015	螺钉M4×16	Screw	2	2	2
3	20122021	油封	Oil seal	1	1	1
4	20126015	上刀曲柄销	Pin	1	1	1
5	20104202	上刀曲柄	Upper knife crank	1	1	0
5	20104203	上刀曲柄	Upper knife crank	0	0	1
6	201S12005	螺钉	Screw	1	1	1

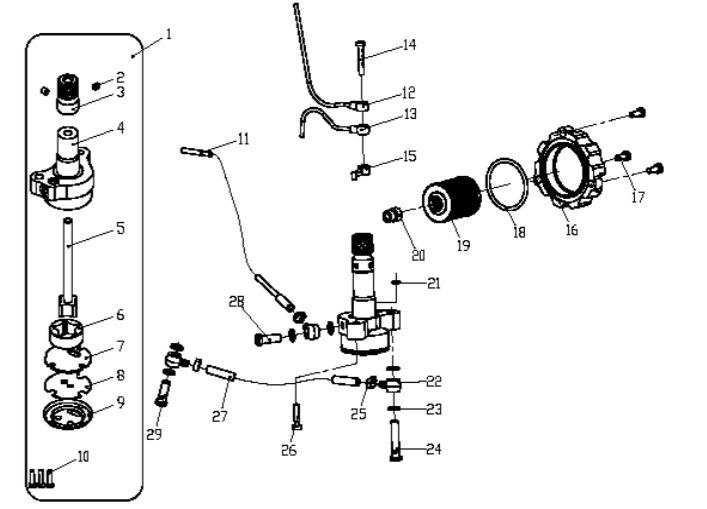
7	S10003	螺钉M6×0.75×5	Screw	2	2	2
8	20108007	挡圈	Collar	2	2	2
9	S05017	螺钉M6×0.75×13.5	Screw	1	1	1
10	201S11022	螺钉SM11/64"×40	Screw	2	2	2
11	20101024	上刀座	Upper Knife Clamp	1	1	0
11	20101025	上刀座	Upper Knife Clamp	0	0	1
11	20101053	上刀座	Upper Knife Clamp	0	0	1
12	****	上刀	Upper Knife	1	1	1
12	****	上刀 (厚料)	Upper Knife	0	0	1
13	201S12001	螺钉SM9/64"×40	Screw	1	1	1
14	20128020	垫片	Washer	1	1	1
15	20126016	销	Pin	1	1	1
16	20102017	上刀架轴	Upper knife feame rock shaft	1	1	1
17	201S12005	螺钉	Screw	1	1	1
18	20101026	下刀压板	Lower knife holder lock plate	0	0	1
19	****	下刀	Lower knife	1	1	1
19	****	下刀 (厚料)	Lower knife	0	0	1
20	20102018	下刀架	Lower Knife Holder	1	1	1
20	20102019	下刀架 (5线)	Lower Knife Holder	0	0	1
21	20127012	弹簧	Spring	1	1	1
22	20112040	下刀架挡板	Screw	1	1	1
23	201S11018	螺钉SM11/64"×40	Screw	1	1	1
24	201S16001	螺母	Nut	1	1	1
25	W01006	垫片	Washer	1	1	1
26	20103025	套筒	Bushing	1	1	1
27	201S11012	螺钉	Screw	1	1	1
28	201S11015	螺钉SM11/64"×40	Screw	1	1	1



十八、压脚脚部件 Presser Foot Mechanism

序号 NO.	公司件号 Part NO.	名称	Description	数量 (Number)		
				三线 three-thread	四线 four-thread	五线 five-thread
1	20712025	弯钩	Link	1	1	1
2	207S20008	抬压脚螺钉M10	Screw	1	1	1
3	20712023	抬压脚杆	Lever	1	1	1
4	20727007	扭簧	Spring	1	1	1
5	207S11031	螺钉M5×24	Screw	1	1	1
6	N01004	螺母M5	Nut	1	1	1
7	20628016	压脚臂连杆销	Pin	1	1	1
8	S10011	紧定螺钉M4×4	Screw	1	1	1
9	20102035	压脚轴	Shaft	1	1	1
10	20712024	角板	Stopper	1	1	1
11	S10002	螺钉M5×5	Screw	1	1	1
12	20103036	压脚轴套筒	Bushing	1	1	1
13	20627009	小杆杆簧	Spring	1	1	1
14	207S11012	螺钉M4×10	Screw	2	2	2
15	20612030	小杆杆	Shaft	1	1	1
16	S05017	螺钉M6×0.75×13.5	Screw	1	1	1
17	20608004	抬压脚复位圈	Collar	1	1	1
18	20101202	压脚臂	Presser arm	1	1	1
19	20119003	剃刀	Chain cutter	1	1	1
20	207S11020	螺钉M3×4	Screw	1	1	1
21	****	压脚组件	Presser foot assy	1	0	0
21	****	压脚组件	Presser foot assy	0	1	0
21	****	压脚组件 (35)	Presser foot assy	0	0	1
21	****	压脚组件 (55)	Presser foot assy	0	0	1
21	****	压脚组件 (56)	Presser foot assy	0	0	1
21	****	压脚组件 (16S)	Presser foot assy	1	0	0
22	207S11020	螺钉M3×4	Screw	1	1	1
23	20612083	压脚限位板	Stopper	1	1	1
24	207S11009	螺钉M3×4.5	Screw	1	1	1
25	20712026	压脚护手	Lever	1	1	1
26	20127032	压杆弹簧	Spring	1	1	1
27	20612034	压杆扳手	Lever	1	1	1
28	206S30017	螺钉M4×5.2	Screw	1	1	1
29	20627010	压杆扳手扭簧	Spring	1	1	1
30	S01002	螺钉	Screw	1	1	1
31	20612090	压手限位板	Stopper	1	1	1
32	P03006	销4.5×18	Screw	1	1	1
33	207S11007	螺钉M4×7.5	Screw	1	1	1
34	2010220600	压杆组件	Lever	1	1	1
35	207S16005	压杆螺母	Nut	1	1	1

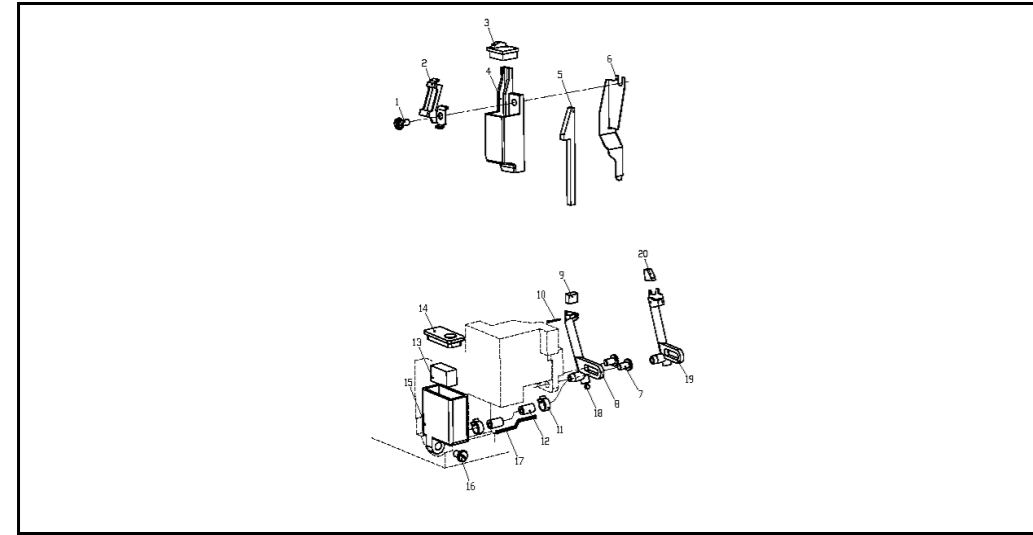
36	20702019	压杆螺柱	Screw	1	1	1
37	2010120200	压脚臂组件	Presser arm	1	1	1



十九、供油部件(1) Lubrication Assemblies (1)

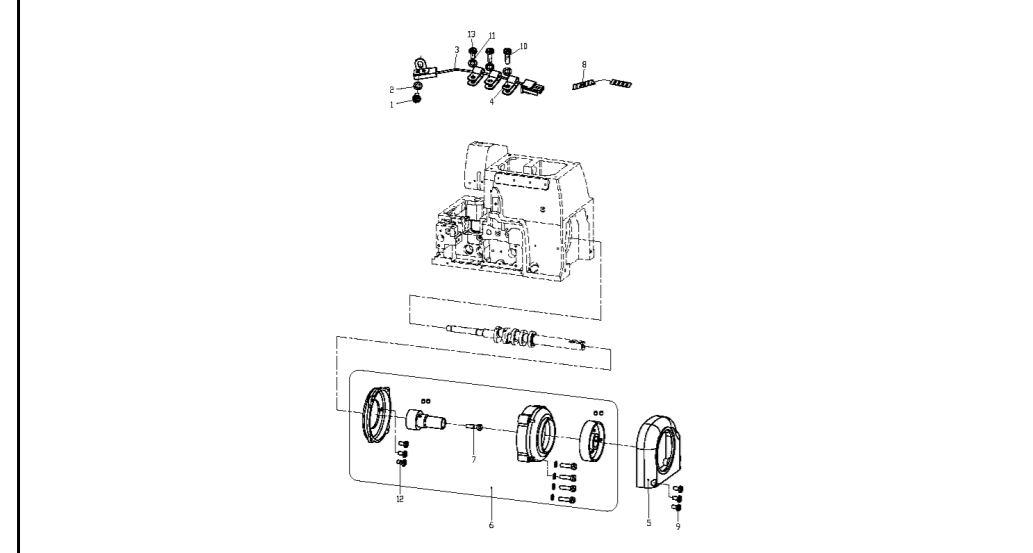
序号 NO.	公司件号 Part NO.	名称	Description	数量 (Number)		
				三线 three-thread	四线 four-thread	五线 five-thread
1	20320001	油泵	Oil pump	1	1	1
2	203s20002	螺钉SM3/16"×32	Screw SM3/16×32	2	2	2
3	20320011	油泵涡轮	Pump turbine	1	1	1
4	20320017	油泵壳体	Pump body	1	1	1
5	20320012	油泵主轴	Pump spindle	1	1	1
6	20320021</					

9	2062607	上弯针滑杆过油器	Pin	1	1	1
10	S10007	螺钉M4×4	Screw M4×4	1	1	1
11	20722008	油盘垫	Gasket	1	1	1
12	20701058	油盘	Oil Reservoir	1	1	1
13	20528014	油盘放油垫圈	Washer	1	1	1
14	207S13002	放油螺钉	Screw	1	1	1
15	20628018	垫片	Washer	4	4	4
16	207S13009	螺钉M5×12	Bolt	4	4	4



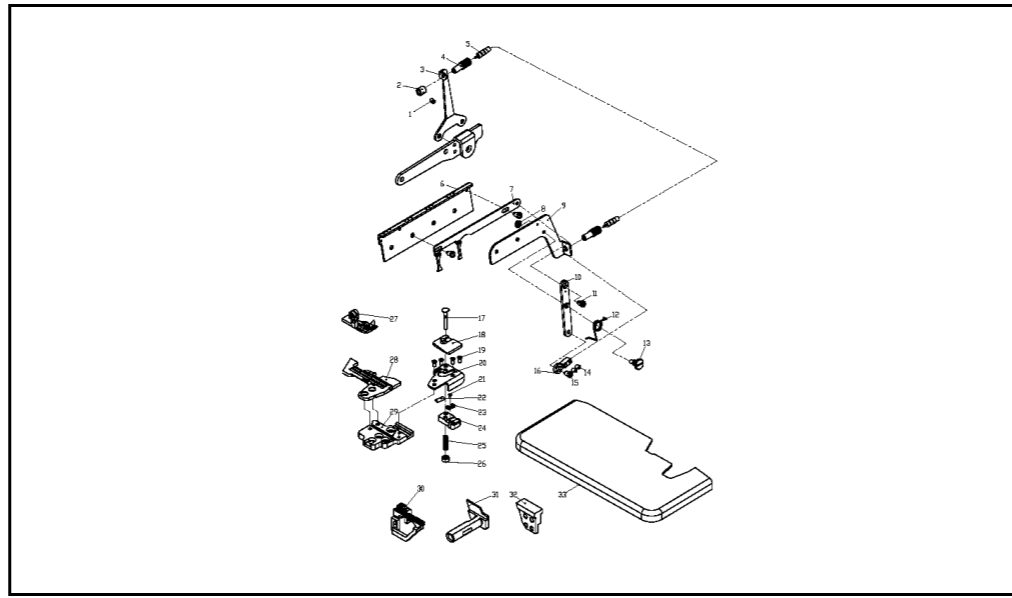
### 二十一、HR部件 H.R. Assemblies

序号 NO.	公司件号 Part NO.	名称	Description	数量 (Number)		
				三线 three-thread	四线 four-thread	五线 five-thread
1	207S11012	螺钉M4×8	Screw M4×8	1	1	1
2	20712040	过线架	Thread guide	1	1	0
2	20713019	过线架	Thread guide	0	0	1
3	20711015	上硅油盒盖	Cover	1	1	1
4	20111205	硅油盒	Oil reservoir	1	1	1
5	20723008	油毡	Felt	1	1	0
5	20719051	油毡	Felt	0	0	1
6	20112105	挡油板	Coner	1	1	1
7	201S11018	螺钉SM11/64"×40	Screw SM11/64"×40	2	2	2
8	20101037	机针冷却器	Needle cooler	1	1	0
9	20123014	油棉	Oil felt	1	1	0
10	###	别针	Pin	1	1	1
11	20129002	卡簧	Shape ring	2	2	2
12	30121021	油管	Clamp	1	1	1
13	20123017	硅油棉块	Oil felt block	1	1	1
14	20111011	下硅油盒盖	Lower oil box cover	1	1	1
15	20111012	硅油盒	Oil box	1	1	1
16	201S11016	螺钉SM11/64"×40	Screw SM11/64"×40	1	1	1
17	20123021	油线	Oil wick	1	1	1
18	20123012	滚珠	Plug	1	1	1
19	20101038	机针冷却器	Needle cooler	0	0	1
20	20123015	油棉	Oil felt	0	0	1



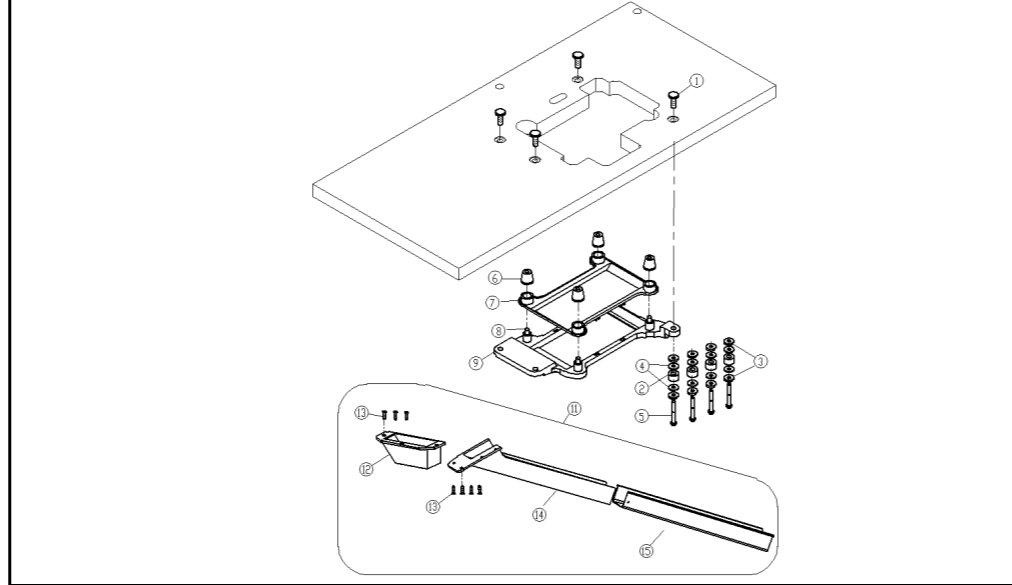
### 二十二、直驱部件 Direct Drive Assemblies

序号 NO.	公司件号 Part NO.	名称	Description	数量 (Number)		
				三线 three-thread	四线 four-thread	五线 five-thread
1	S01010	螺钉M4×8	Screw M4×8	1	1	1
2	20628012	油管螺钉垫片	Washer	1	1	1
3	2013002100	LED灯组件	LED lamp	1	1	1
4	20711210	R型线表3.3	Clamp	3	3	3
5	20111059	电机罩	Cover	1	1	1
6	20133010	直驱电机	Direct drive motor	1	1	1
7	201S11034	螺钉SM15/64"×28	Screw SM15/64"×28	1	1	1
8	20711207	线管	Tie	0.85	0.85	0.85
9	S01083	螺钉M6×20	Screw M4×8	3	3	3
10	301S11009	螺钉	Screw	3	3	3
11	20612062	螺钉垫片	Washer	3	3	3
12	S01011	螺钉	Screw	3	3	3
13	201S11016	螺钉	Screw	1	1	1



### 二十三、倒回缝部件 Back Latch Components

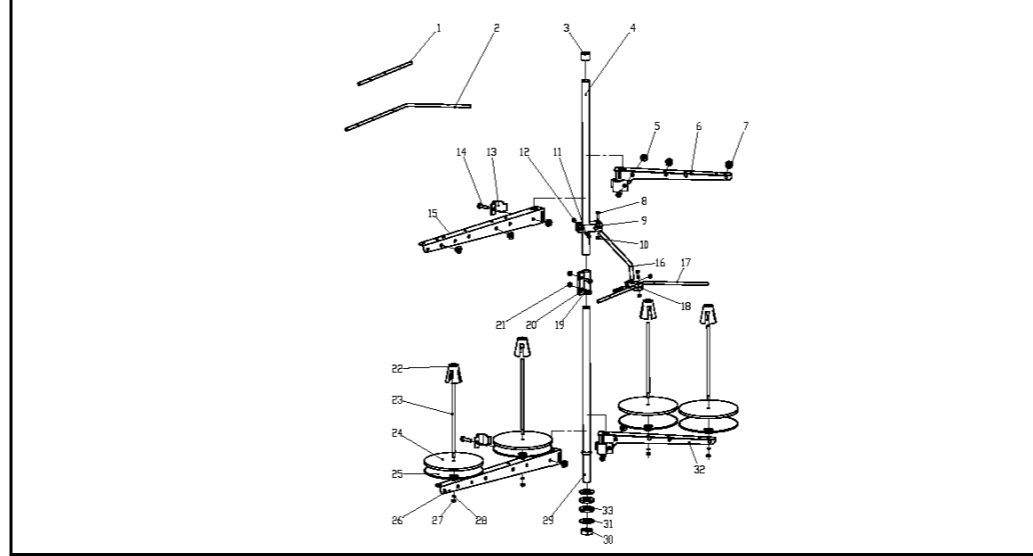
序号 NO.	公司件号 Part NO.	名称	Description	数量 (Number)		
				三线 three-thread	四线 four-thread	五线 five-thread
1	201S14002	螺钉	Screw	1	1	0
2	20103029	钢丝接管	Collar	1	1	0
3	20112058	支架	Bracket	1	1	0
4	201S30018	接头螺钉	Screw	2	2	0
5	20112059	天线	Sleeve	1	1	0
6	20112207	过线板	Thread guide plate	1	1	0
7	20112208	过线推板	Thread tension plate	1	1	0
8	201S16003	螺母	Nut	1	1	0
9	20112209	前支架	Fronng frame	1	1	0
10	20112063	松线杆杆	Thread tension releasing lever	1	1	0
11	201S20012	螺钉	Screw	1	1	0
12	20127021	松线扭簧	Spring	1	1	0
13	201S20013	螺钉	Screw	1	1	0
14	201S14003	螺钉	Screw	2	2	0
15	201S20014	螺钉	Screw	1	1	0
16	20101039	钢丝接头	Connector	1	1	0
17	205S30007	压线板螺钉	Pressure line plate screw	1	1	0
18	20113209	压线板	Pressure line plate	1	1	0
19	S02007	螺钉	Screw	4	4	0
20	20112210	刀片定位板	Cutter location positioning plate	1	1	0
21	205S30008	压力板螺钉	Pressure plate screw	1	1	0
22	20519002	刀子	Knife	1	1	0
23	20512003	压力板	Pressure plate	1	1	0
24	20519001	小刀架	Knife rack	1	1	0
25	20527003	弹簧	Spring	1	1	0
26	301S16007	夹线螺母	Clamp nut	1	1	0
27	2.072E+09	压脚	Presser foot form	1	0	0
27	2.072E+09	压脚	Presser foot form	0	1	0
28	****	针板	Needle plate	1	0	0
28	****	针板	Needle plate	0	1	0
29	20109025	针板垫块	Bracket	1	1	0
30	****	牙齿	Feed form	1	1	0
31	20102040	下刀架	Lower knife holder	1	1	0
32	20109103	护针挡座	Needle guard bracket	1	1	0
33	2.011E+09	绿台盖组件	Cloth plate	1	1	0



### 二十四、托盘、排料部件 Plate Row Material Assemblies

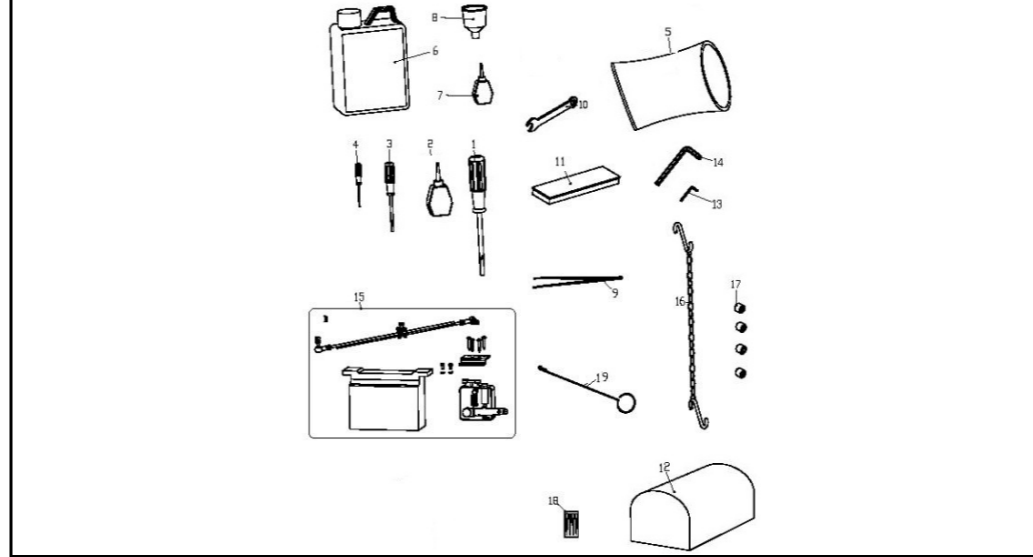
序号 NO.	公司件号 Part NO.	名称	Description	数量 (Number)		
				三线 three-thread	四线 four-thread	五线 five-thread
1	20131028	托盘固定螺母	Nut	4	4	4
2	20131030	防震套	Washer	4	4	4
3	30122031	减震垫圈	Spring Washer	8	8	8
4	20131029	大垫圈	Spacer	8	8	8
5	20131027	托盘内六角螺钉	Screw	4	4	4
6	20722018	托盘防震垫	Cushion Rubber	4	4	4
7	20712064	托架	Rest Board	2	2	2
8	207S11046	螺钉	Screw	4	4	4
9	20711058	托盘	Oil Pan	1	1	1

10	207S13006	螺钉M4×7.5	Screw	4	4	4
11	20131058	落料斗组件	Waste Chute Assy	1	1	1
12	20131034	排料槽座螺钉	Screw	7	7	7
13	20131031	排料槽座	Screw	1	1	1
14	20131032	排料槽 I	Waste Chute	1	1	1
15	20131033	排料槽 II	Waste Chute	1	1	1



### 二十五、线架部件 Thread Spool Assemblies

序号 NO.	公司件号 Part NO.	名称	Description	数量 (Number)		
				三线 three-thread	四线 four-thread	五线 five-thread
1	20631018	过线棒	Thread guide	1	0	0
2	30113019	过线棒	Thread guide	0	0	1
3	20131019	棒帽	Rod Cap	1	1	1
4	20131001	上管	Upper thread column	1	1	1
5	201S16006	导线环螺母	Thread guide hook nut	4	4	4
6	20131016	导线架	Thread spool tray bracket	1	1	1
7	20131018	过线环	Thread guide hook	3	4	5
8	20131021	棒架螺钉	Screw	2	2	2
9	20131009	棒架	Clamp plate	1	1	1
10	201S16004	螺母	Nut	4	4	4
11	20131022	棒架螺钉	Screw	2	2	2
12	201S16004	螺母	Nut	4	4	4
13	20131005	导线环	Thread guide hook	4	4	4
14	20131020	导线环螺钉	Screw	4	4	4
15	20131015	导线架	Thread spool tray bracket	1	1	1
16	20131011	导线棒	Thread guide bar	1	1	1
17	20631019	过线棒	Thread guide	0	1	0
18	20131012	固定器	Thread guide joint	1	1	1
19	S04050	螺钉M5×15	Screw	2	2	2
20	20131003	套	Bushing	1	1	1
21	N01030	套螺母	Nut	2	2	2
22	20131008	线圈定位套	Spool Cushion	3	4	5
23	20131006	线托棒	Spool pin	3	4	5
24	20131010	线盘垫	Spool tray cushioning	3	4	5
25	20131007	线盘	Spool tray	3	4	5
26	20131004	托线架	Thread spool tray bracket	1	1	1
27	201S16004	螺母	Nut	3	4	5
28	20128018	垫圈	Washer	3	4	5
29	20131002	下管	Lower thread cloumn	1	1	1
30	201S16005	螺母	Nut	1	1	1
31	20128025	下管垫圈	Lower washer	2	2	2
32	20131017	托线架	Thread spool tray bracket	1	1	1
33	20122049	防震垫	Plate dog link washer	2	2	2
34	20131086	线架组件	Thread stand component	1	0	0
34	20131087	线架组件	Thread stand component	0	1	0
34	20131088	线架组件	Thread stand component	0	0	1



### 二十六、随机附件 Accessories Assemblies

序号 NO.	公司件号 Part NO.	名称	Description	数量 (Number)		
				三线 three-thread	四线 four-thread	五线 five-thread
1	10131002	螺丝刀(大)	screw driver (L)	1	1	1
2	20131037	油壶/50cc	Oil can/50cc	1	1	1
3	10131004	螺丝刀(小)	Screwdriver (S)	1	1	1

4	20131044	螺丝刀(1.5mm)	Hexagonal wrench/1.5mm	1	1	1
5	20131062	机头塑料袋	Plastic machine head bag	1	1	1
6	20131037	油壶	Oil container	1	1	1
7	20131048	小油壶(尖嘴)		1	1	1
8	20131039	漏斗	Tundish	1	1	1
9	20131051	镊子	Tweezers	1	1	1
10	20131043	扳手(8mm)	Wrench/8mm	1	1	1
11	20131055	附件盒	Attachment box	1	1	1
12	10131005	机头罩	Machine head cover	1	1	1
13	20131046	扳手(2mm)	Hexagonal wrench/2mm	1	1	1
14	20131056	扳手(6mm)	Hexagonal wrench/6mm	1	1	1
15	2033000200	拉杆	Draw bar	1	1	1
		电控	Electric cabinet	1	1	1
		调速器	Governor	1	1	1
		调速器支架	Governor stent	1	1	1
16	20131054	脚踏板链	Chain	6	6	6
		螺钉	Screw	6	6	6
17	S10005	螺钉	Screw	4	4	4
18	****	机针	Needle	4	4	4
19	20131052	线勾	Needle threader	1	1	1

### 800系列标准零件量表

### 800 SERIES GAUGE PARTS LIST

型号	规格	种类	零件编号	压脚零件	上管针	下管针	磁吸零件	
MACHINE TYPE 800C	NO	SW	NEEDLE PLATE	MAIN FEED DOG ASS	PRESSER FOOT ASS	UPPER LOOPER	LOWER LOOPER	CHAINSTITCH LOOPER
			803-MG-15	0	1.5	20115006	2011401800	2071601000
803-MG-04	0	4	20115001	2011401700	2071600900	20117025	20117008	----
803-MG-04BC	0	4	20115004	2011402100	20116004	20117025	20117008	----
804-MG-23BK	2	3	20115085	2011402100	20116005	20117007	20117008	----
804-MG-24	2	4	20115002	2011401700	2011603200	20117007	20117008	----
805-MG-35	3	5	20115003	2011401900	2071600600	20117025	20117009	20117010
805-MG-55	5	5	20115008	2011401900	2071601500	20117025	20117009	20117010
805-2-56	5	6	20115001	2011402000	2061604000	20117025	20117009	20117010

型号	上刀	下刀	I#		I#		种类	规格
			前	后	前	后		
MACHINE TYPE 800C	UPPER KNIFE	LOWER KNIFE	OVERLOCK/NEEDLE CHUARO		CHAINSTITCH/NEEDLE		NEEDLE HOLDER	NEEDLE
			FRONT	REAR	FRONT	REAR		
803-MG-15	20119001	20119002	----	----	20117003	20117002	20634022	BC×27#9
803-MG-04	20119001	20119002	----	----	20117003	20117002	20634022	BC×27#9
803-MG-04BC	20119001	201						