

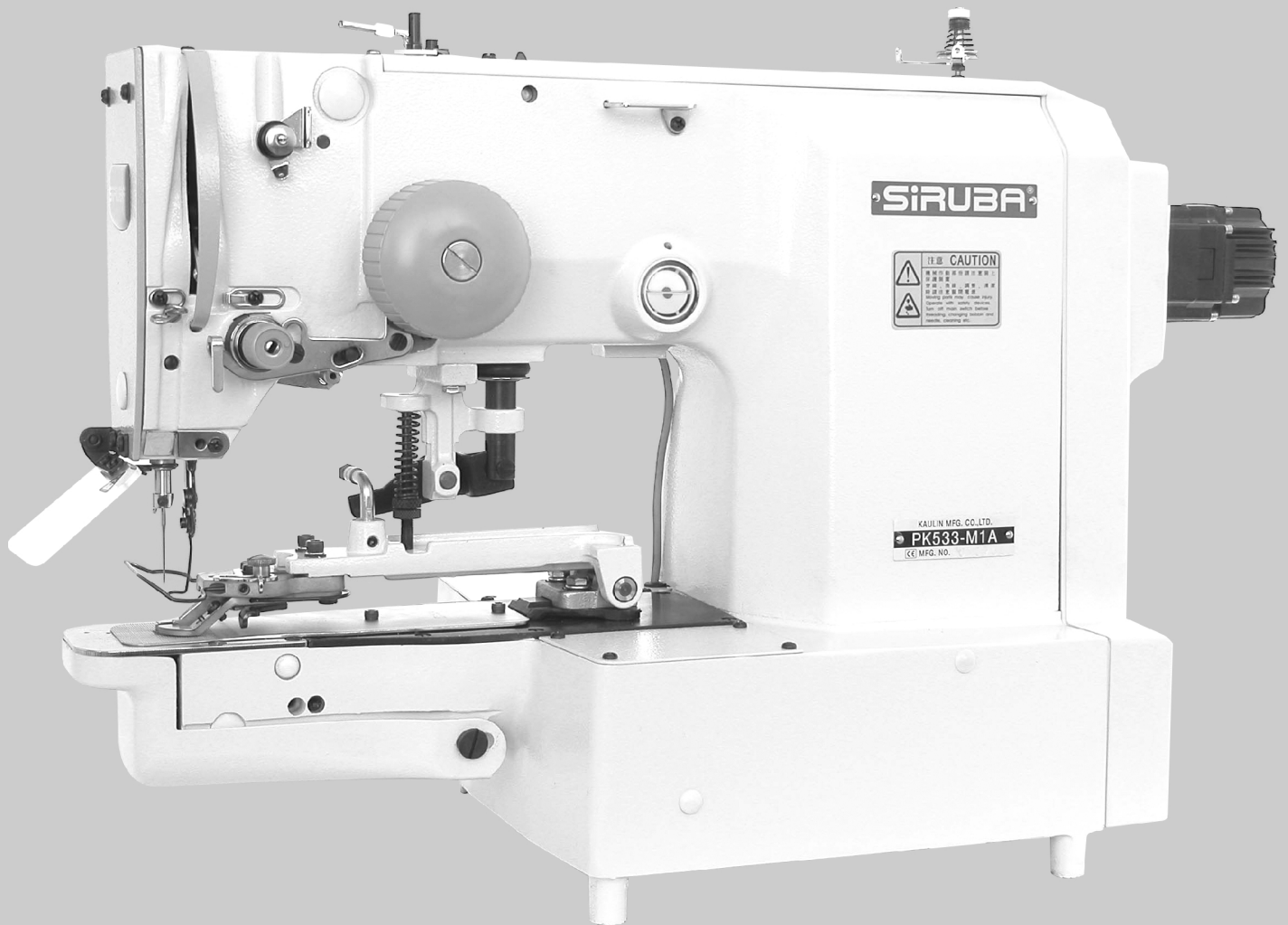
SIRUBA®

銀箭牌工業用縫紉機

INDUSTRIAL SEWING MACHINE

PK533

零件圖 PARTS LIST



CE

 高林股份有限公司
KAULIN MFG. CO., LTD.

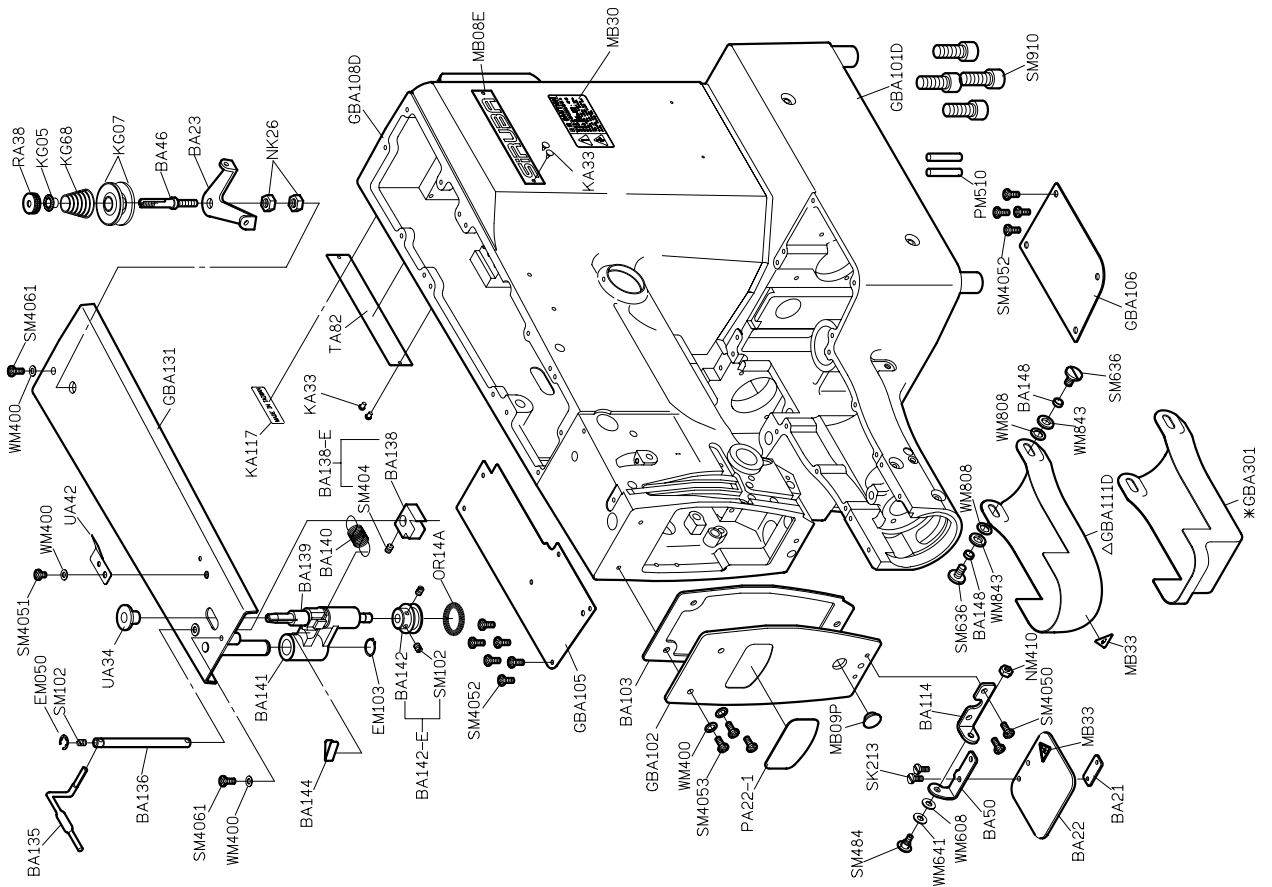
MODEL	SUB-CLASS	NEEDLE PLATE	FEED PLATE	PRESSER FOOT	PRESSER FOOT	PRESSER FOOT	PRESSER FOOT	PRESSER FOOT	LARGE SHUTTLE HOOK	THREAD TAKE-UP SPRING	SPRING	SHUTTLE RACE BASE ASSY	HOOK ASSY	BOBBIN CASE ASSY	BOBBIN	NEEDLE
機型	規格	針板	送料具	左押具	右押具	押具彈簧	梭座外蓋	挑線彈簧	彈簧	梭座	梭頭	梭殼	梭子	針號		
PK533-L2A	薄布料	E140	D534	BF389	BF390	BF306	BC49P	LA227	LA231	BC44	G181	G207	G306	DP*17#12		
PK533-M2A	中厚布料	E141	D534	BF389	BF390	BF306	BC49P	BA145	LA31	BC44	G182	G208	G311	DP*17#14		
PK533-M2B	中厚布料	E137	D536	P536		BF126D	BC49P	BA145	LA31	BC44	G182	G208	G311	DP*5#16		
PK533-HC	厚布料	E138	D537 (D537P)	P537L (P537PL)	P537R (P537PR)	BF126D	BC49Q	BA515	LA131	BC44P	G182	G208	G311	DP*17#19		
PK533-L1D	薄布料	E139P	D530P	P530L	P530R	BF126D	BC49P	LA227	LA231	BC44	G181	G207	G306	DP*5#9		
PK533-L2D			D531	P531L	P531R											
PK533-L3D			D531T	P531TL	P531TR											
PK533-M1D	中厚布料	E137P	D530	P530L	P530R	BF126D	BC49P	BA145	LA31	BC44	G182	G208	G311	DP*5#16		
PK533-M2D			D531S	P531L	P531R											
PK533-M3D			D531P	P531PL	P531PR											
PK533-M4D	厚布料	E138	D531Q	P531QL	P531QR	BF126D	BC49Q	BA515	LA131	BC44P	G182	G208	G311	DP*17#19		
PK533-M5D			D531R	P531RL	P531RR											
PK533-H1D	厚布料	E138	D532	P532L	P532R	BF126D	BC49Q	BA515	LA131	BC44P	G182	G208	G311	DP*17#19		
PK533-H2D			D532P	P532PL	P532PR											

註：PK533-M1A 為汎用型

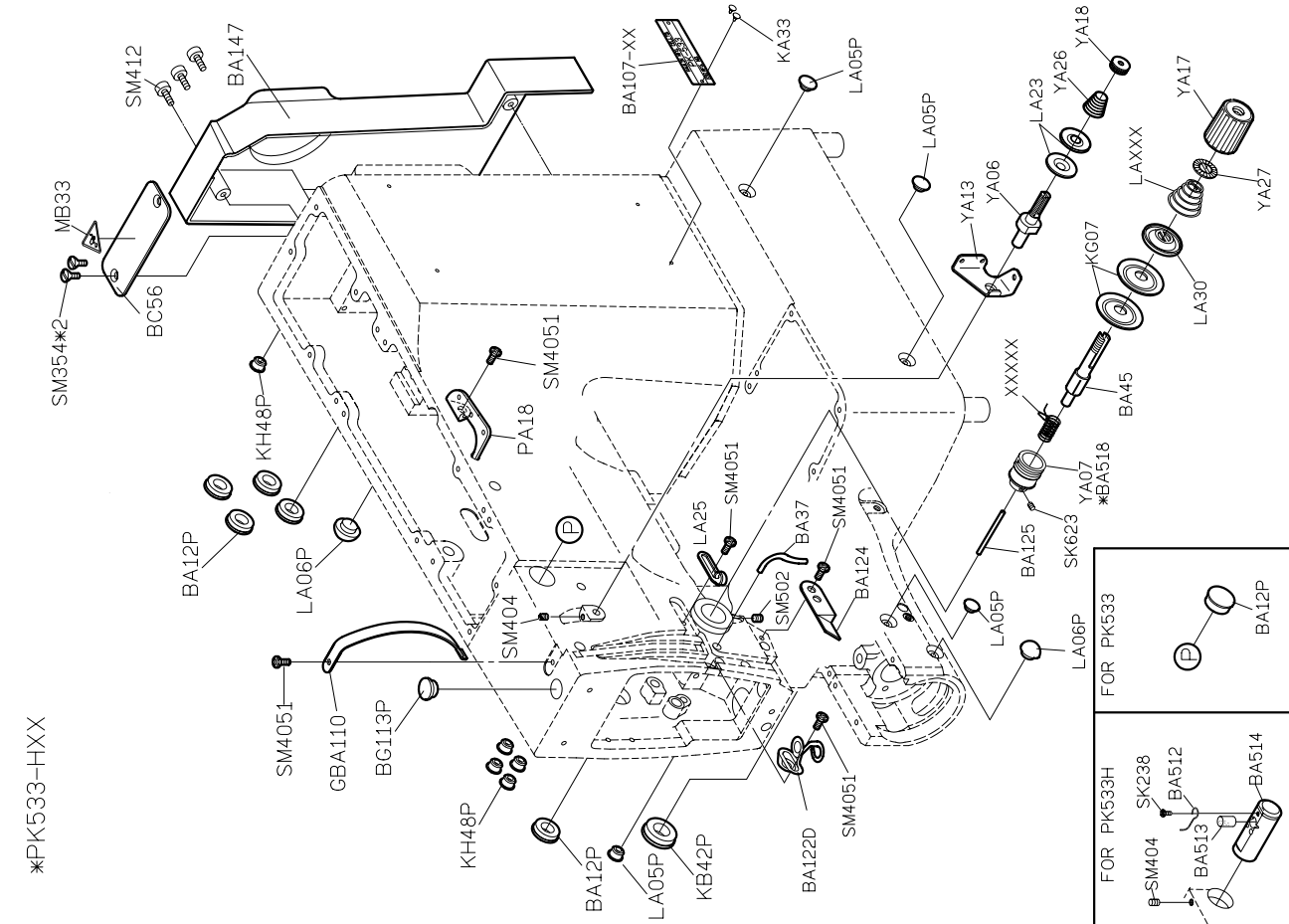
規格件表 CONVERSION CHART

PARTS LIST FOR BA (1) GROUP

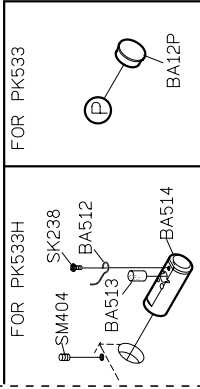
PARTS LIST FOR BA (2) GROUP



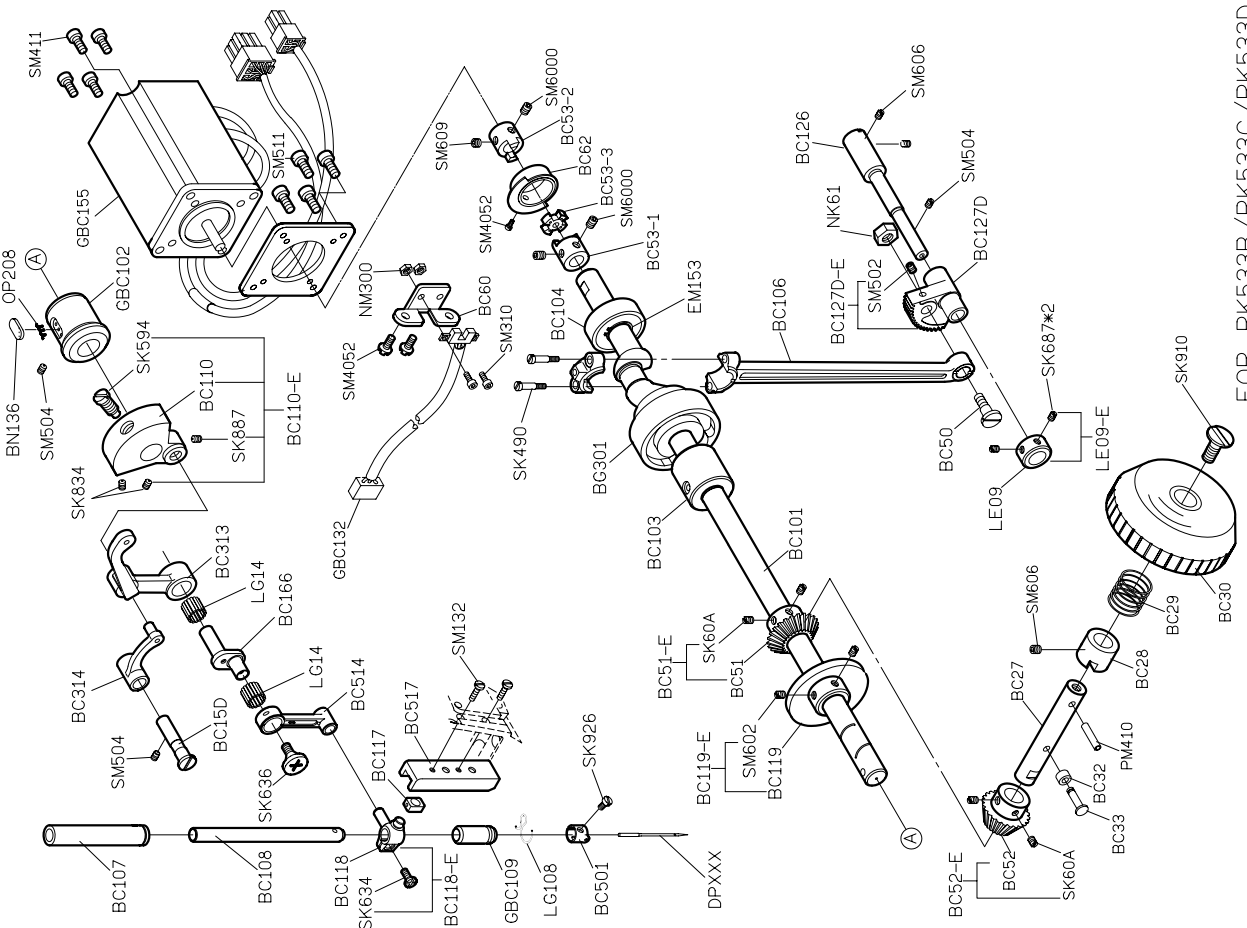
*USE FOR PK533A ΔUSE FOR PK533B/PK533C/PK533D



*PK533-HXX

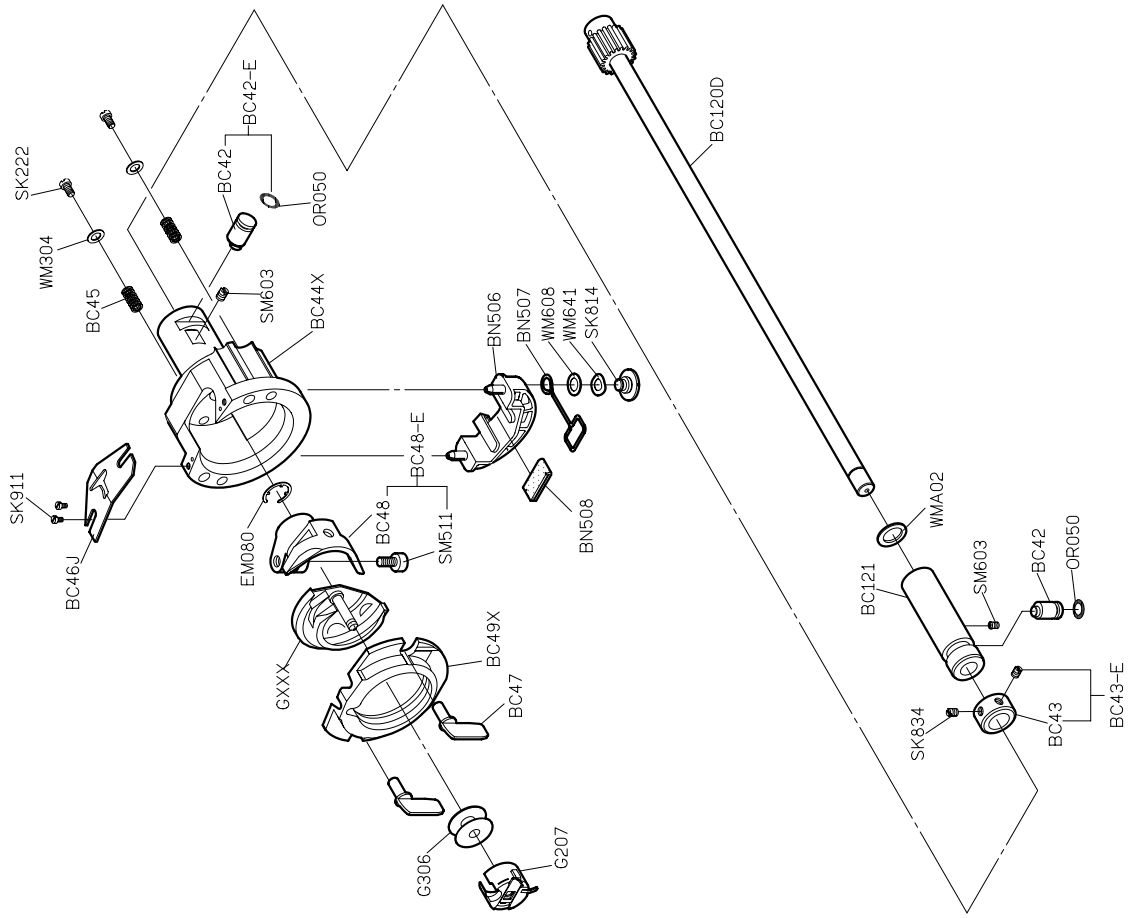


FOR PK533H
FOR PK533

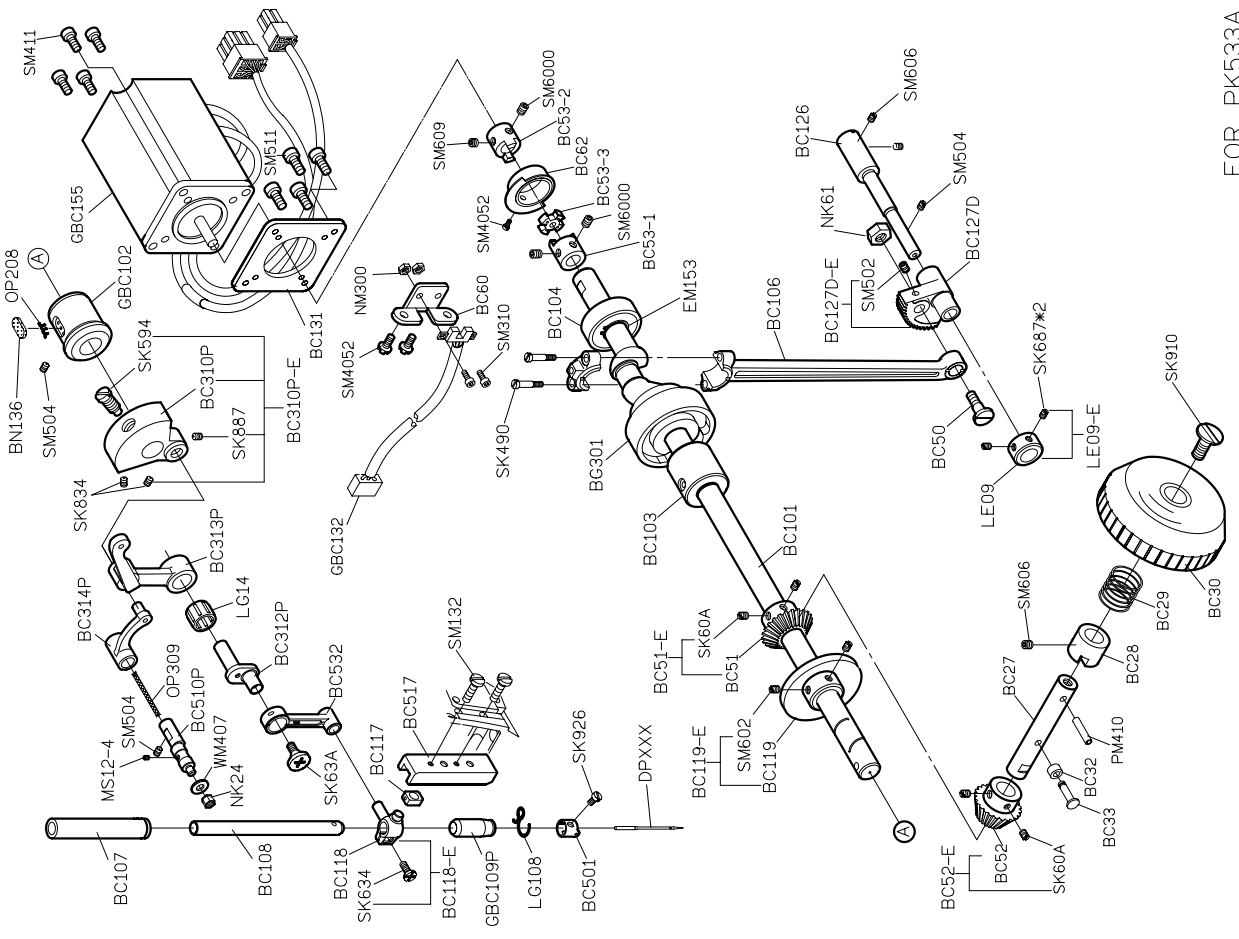


FOR PK533B/PK533C/PK533D

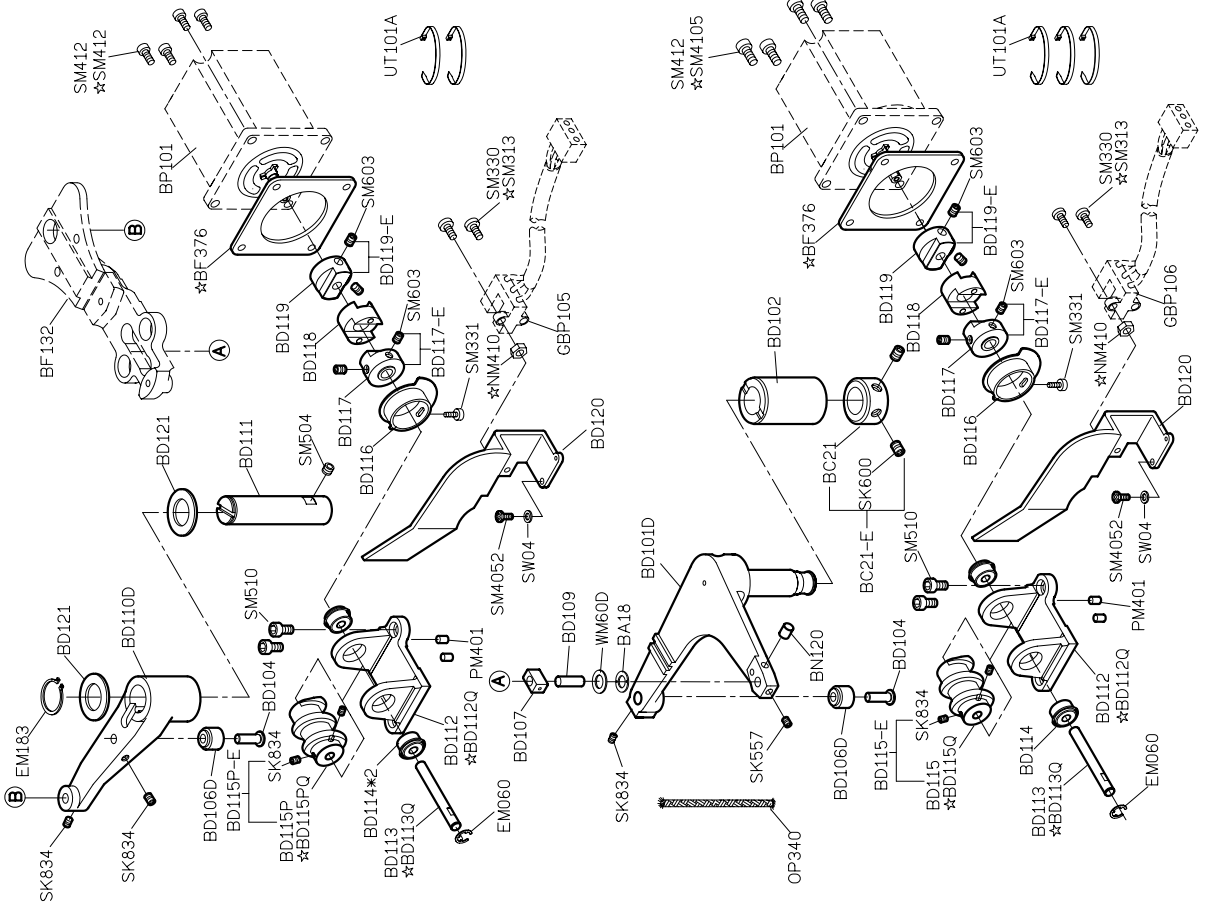
PARTS LIST FOR BC (1) GROUP



PARTS LIST FOR BC (2) GROUP



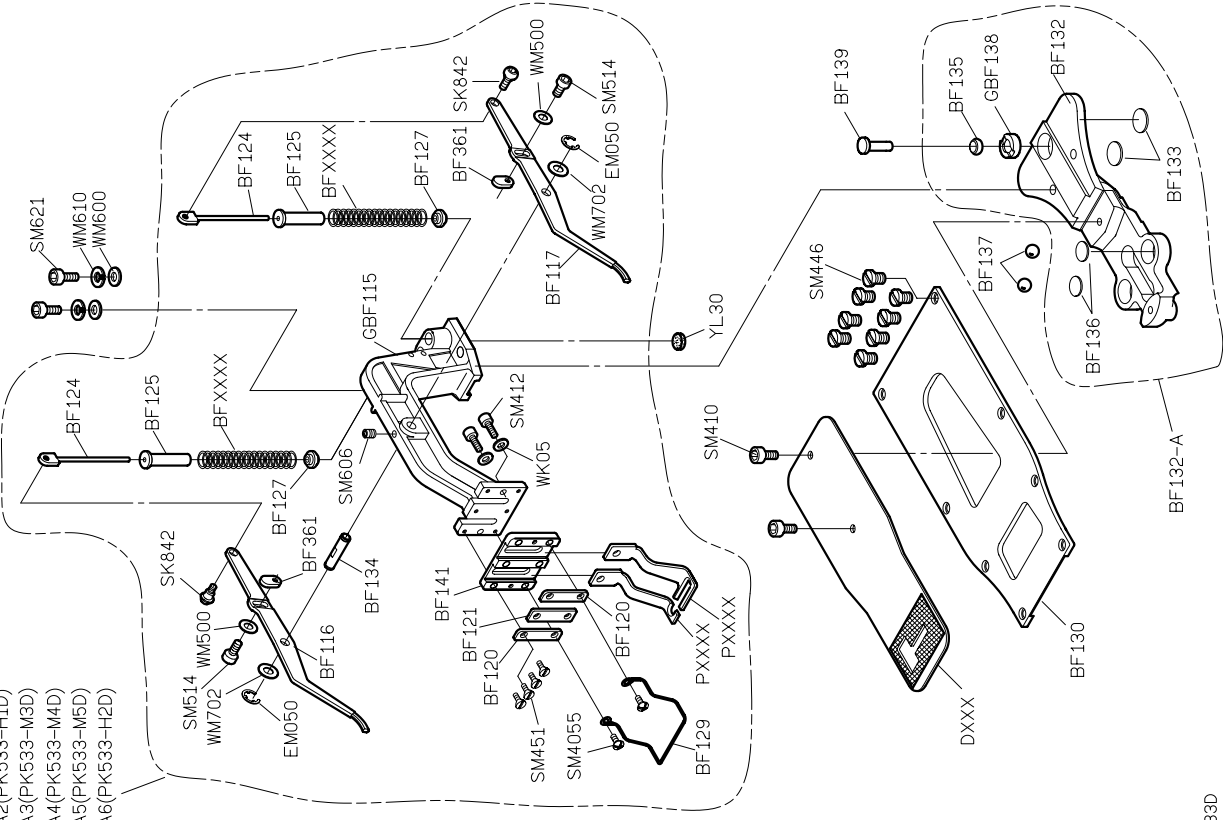
FOR PK533A



☆ USE FOR PK533C

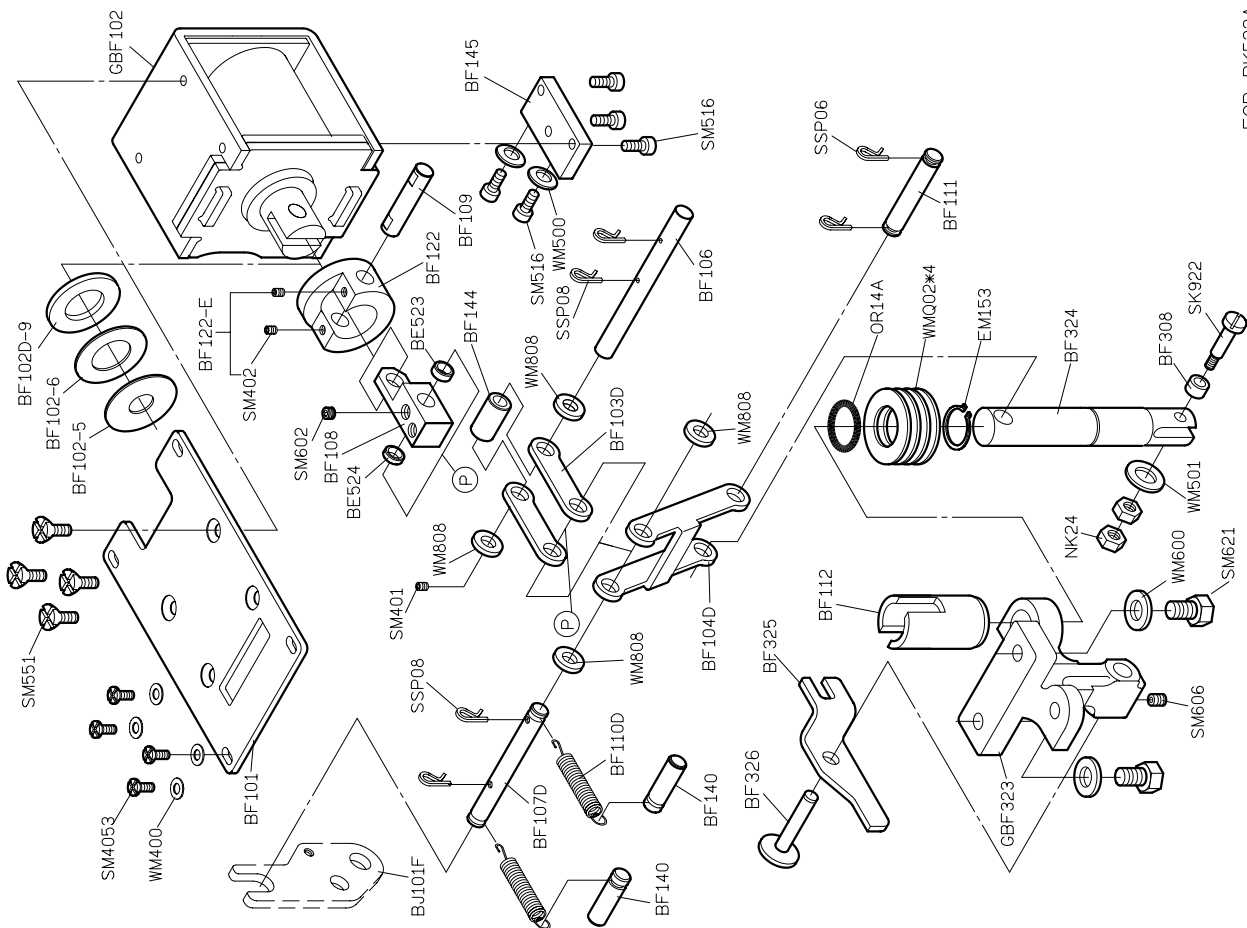
PARTS LIST FOR BF (2) GROUP

- GBF115-A(PK533-LD/MID)
- GBF115-A1(PK533-M2D)
- GBF115-A2(PK533-H1D)
- GBF115-A3(PK533-M3D)
- GBF115-A4(PK533-M4D)
- GBF115-A5(PK533-M5D)
- GBF115-A6(PK533-H2D)

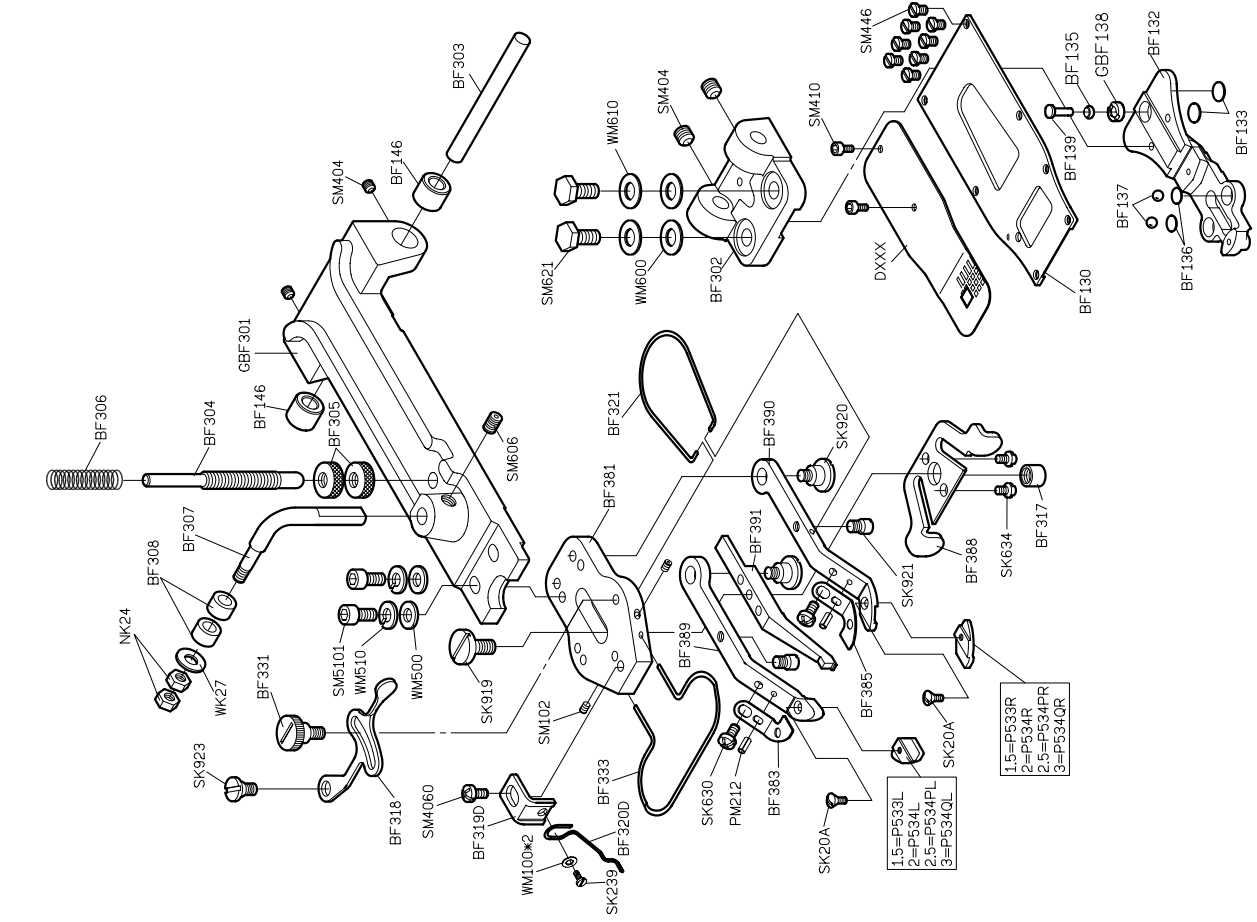


FOR PK533D

PARTS LIST FOR BF (3) GROUP

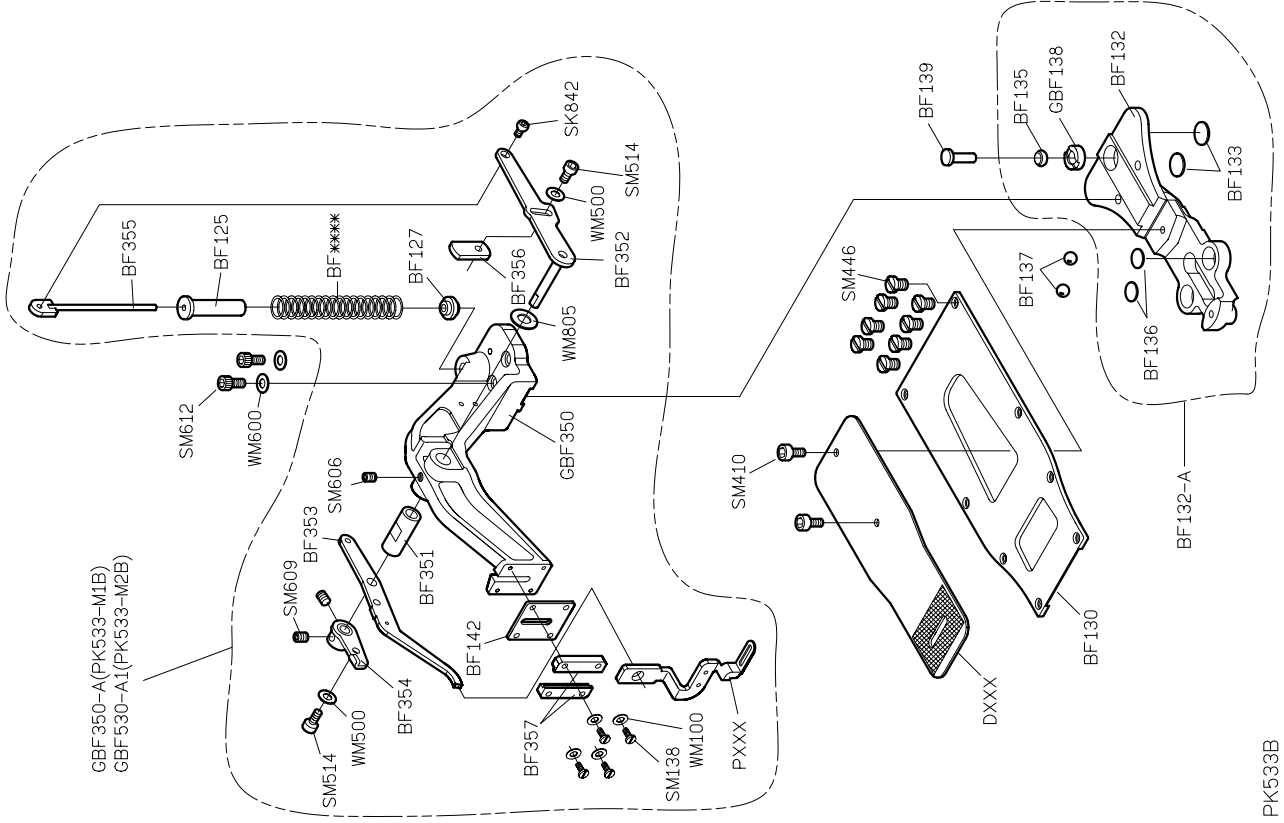


FOR PK533A



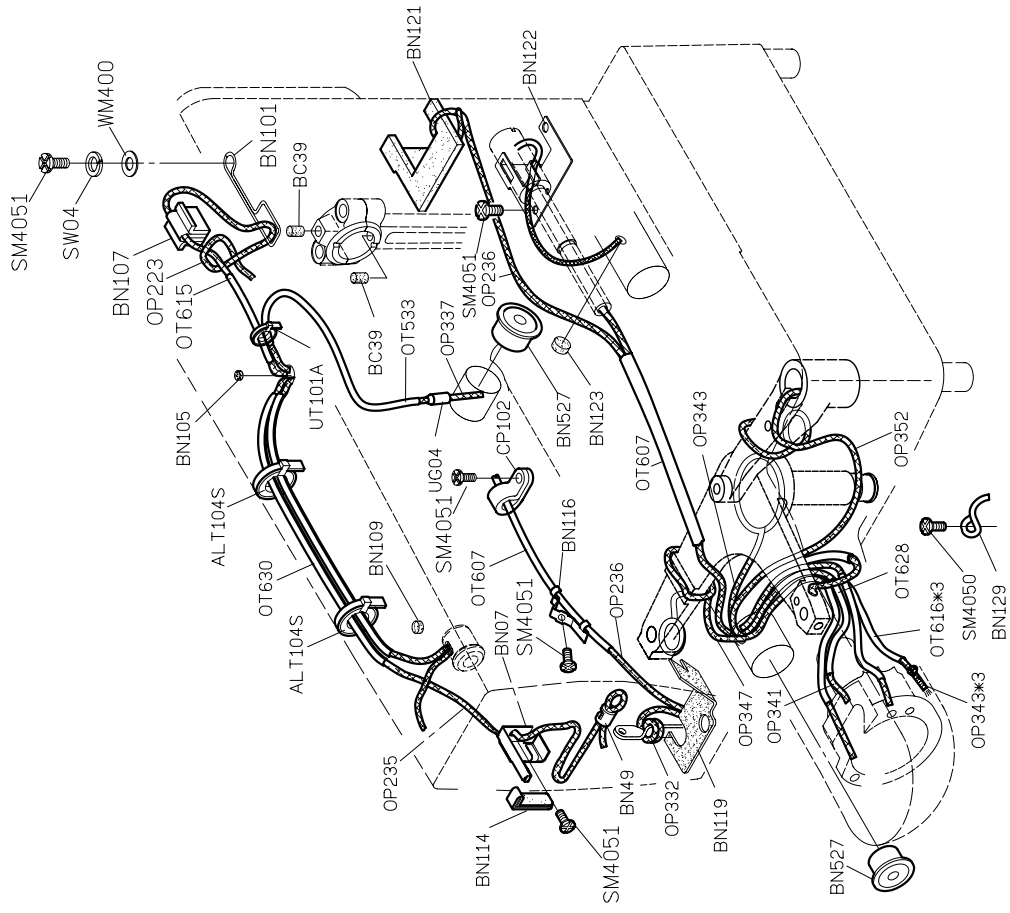
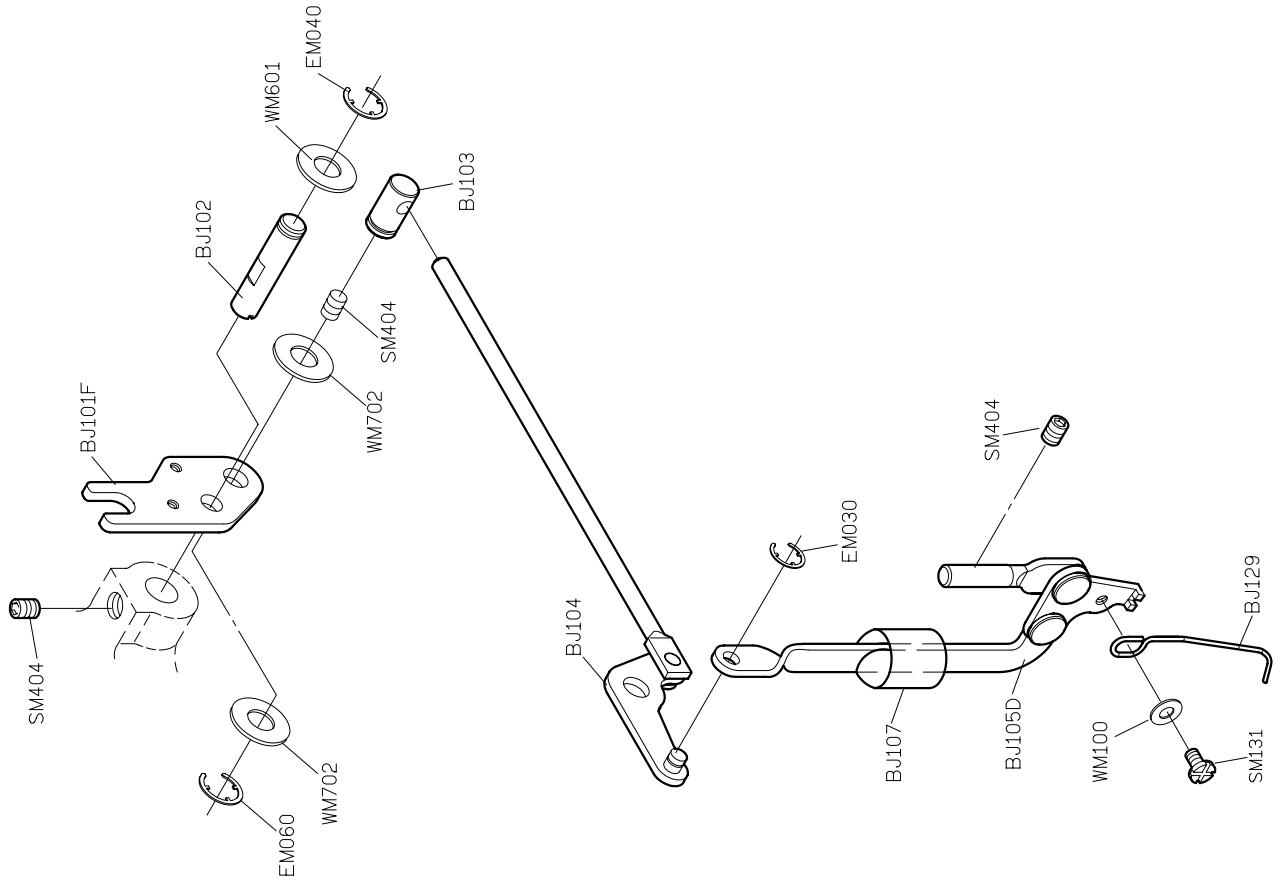
FOR PK533 L2A/PK533 M2A

PARTS LIST FOR BF (4) GROUP



FOR PK533B

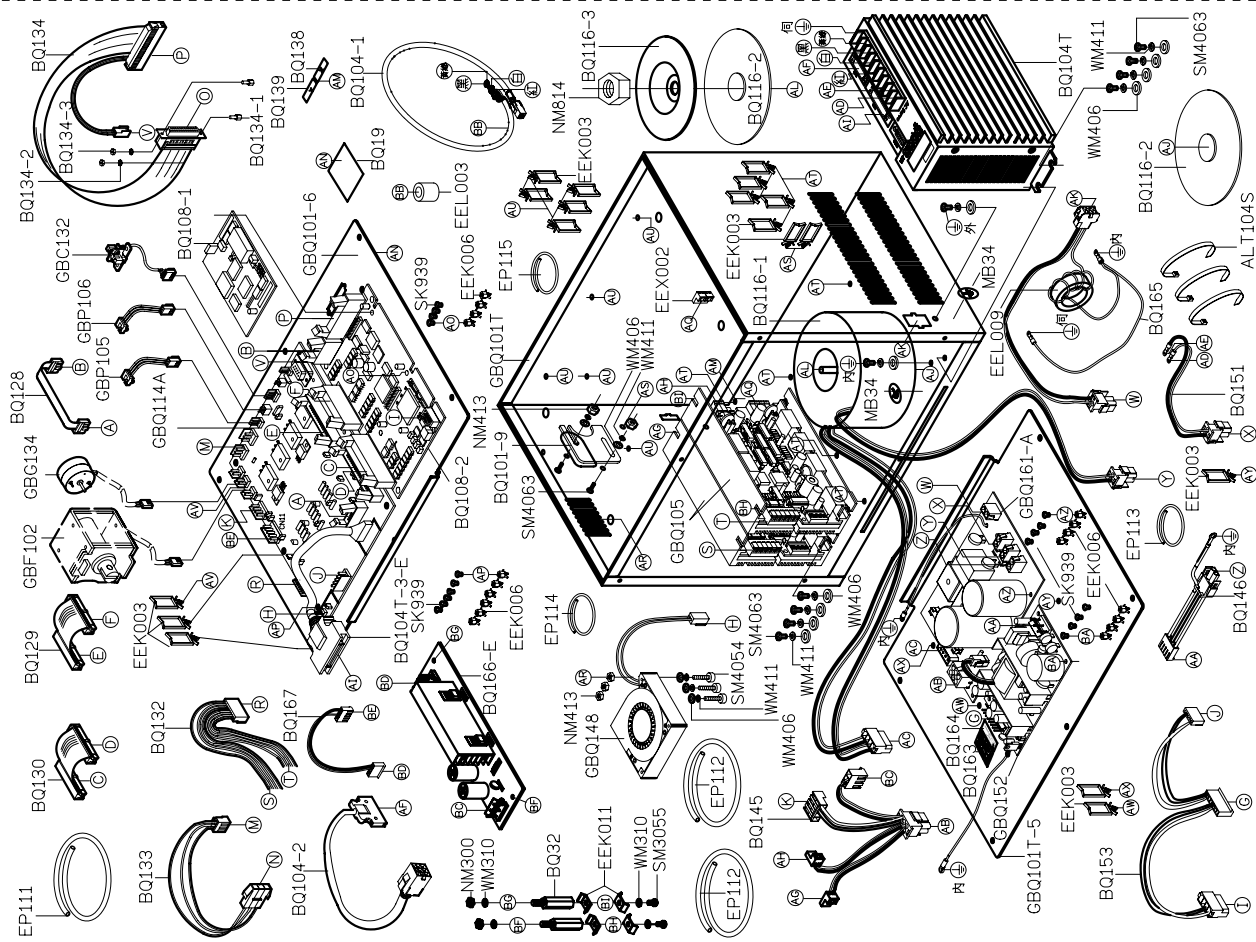
PARTS LIST FOR BF (5) GROUP



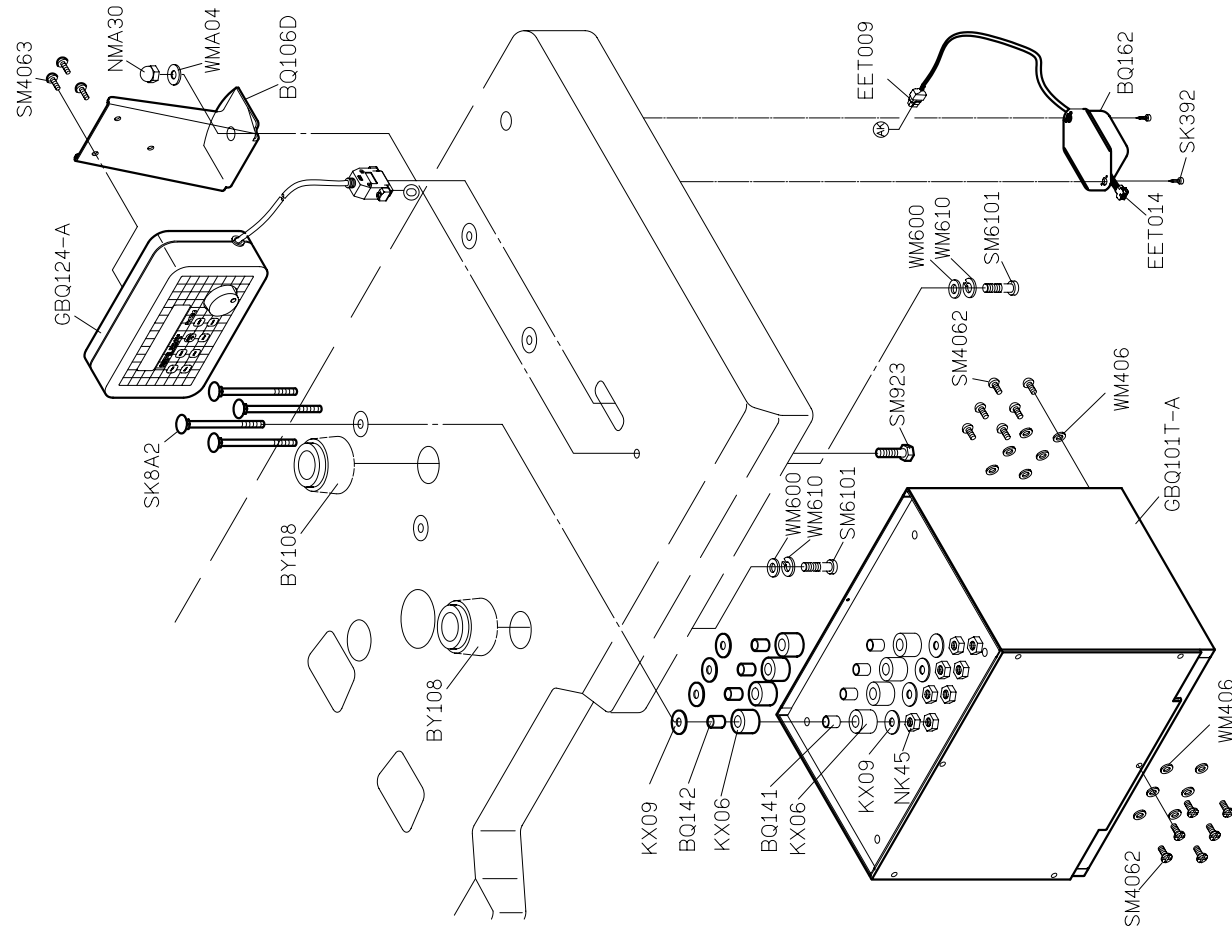
PARTS LIST FOR BJ GROUP

PARTS LIST FOR BN GROUP

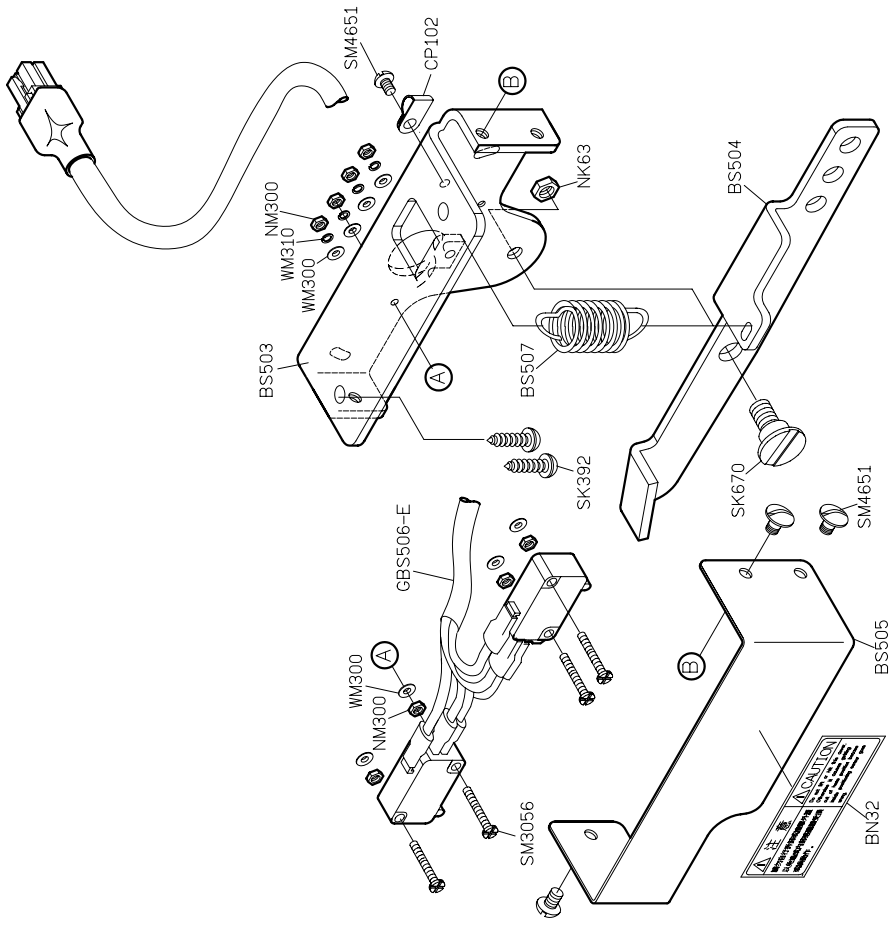
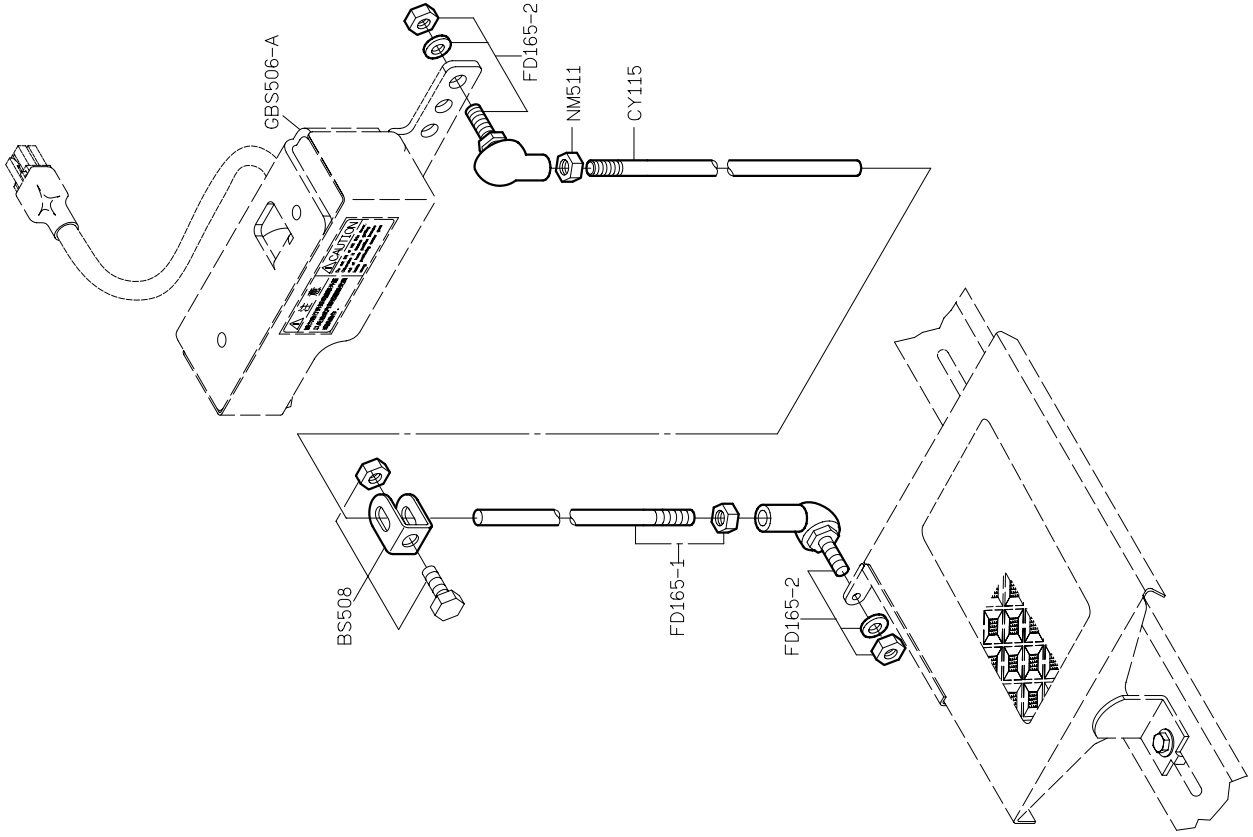
PARTS LIST FOR BQ (2) GROUP



PARTS LIST FOR BQ (1) GROUP

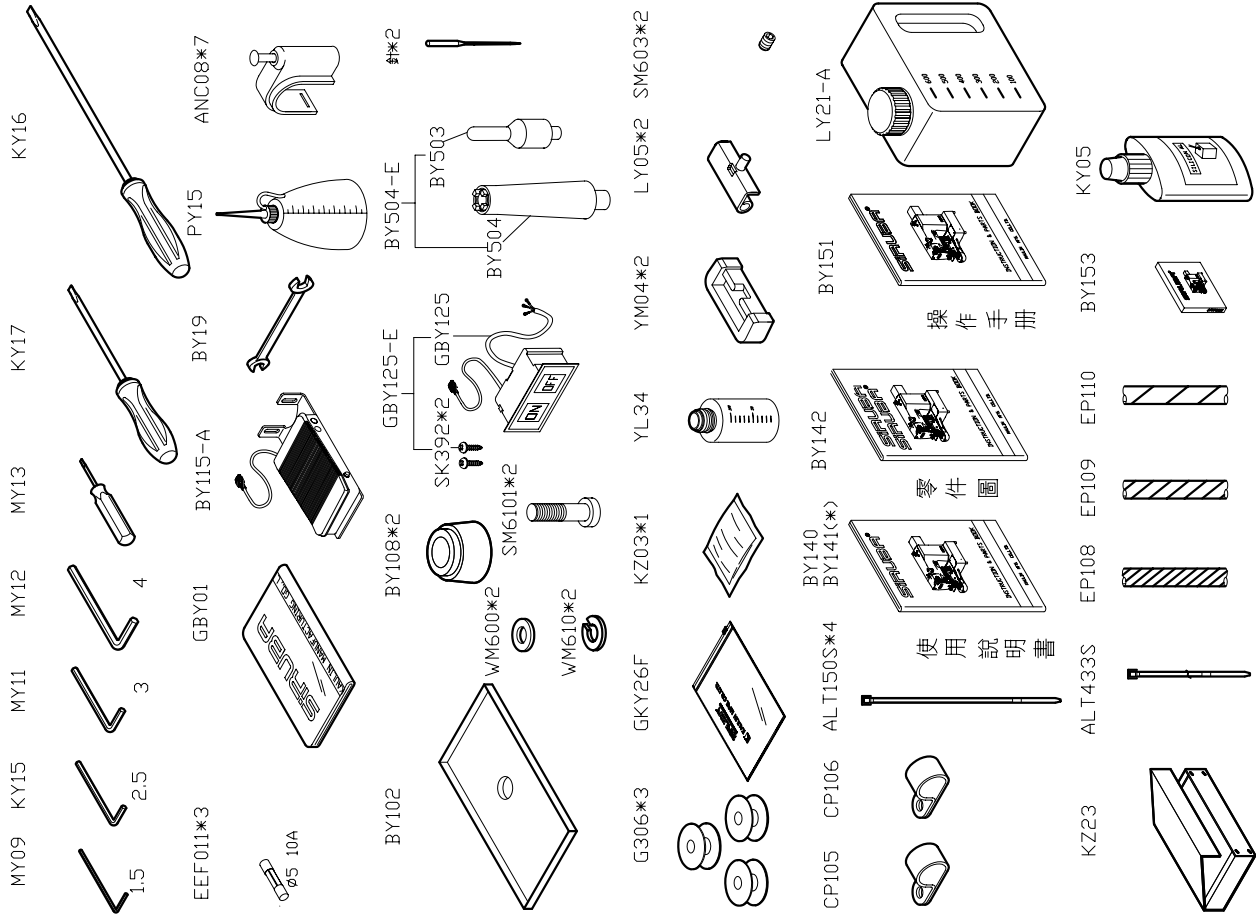


GBS506-A

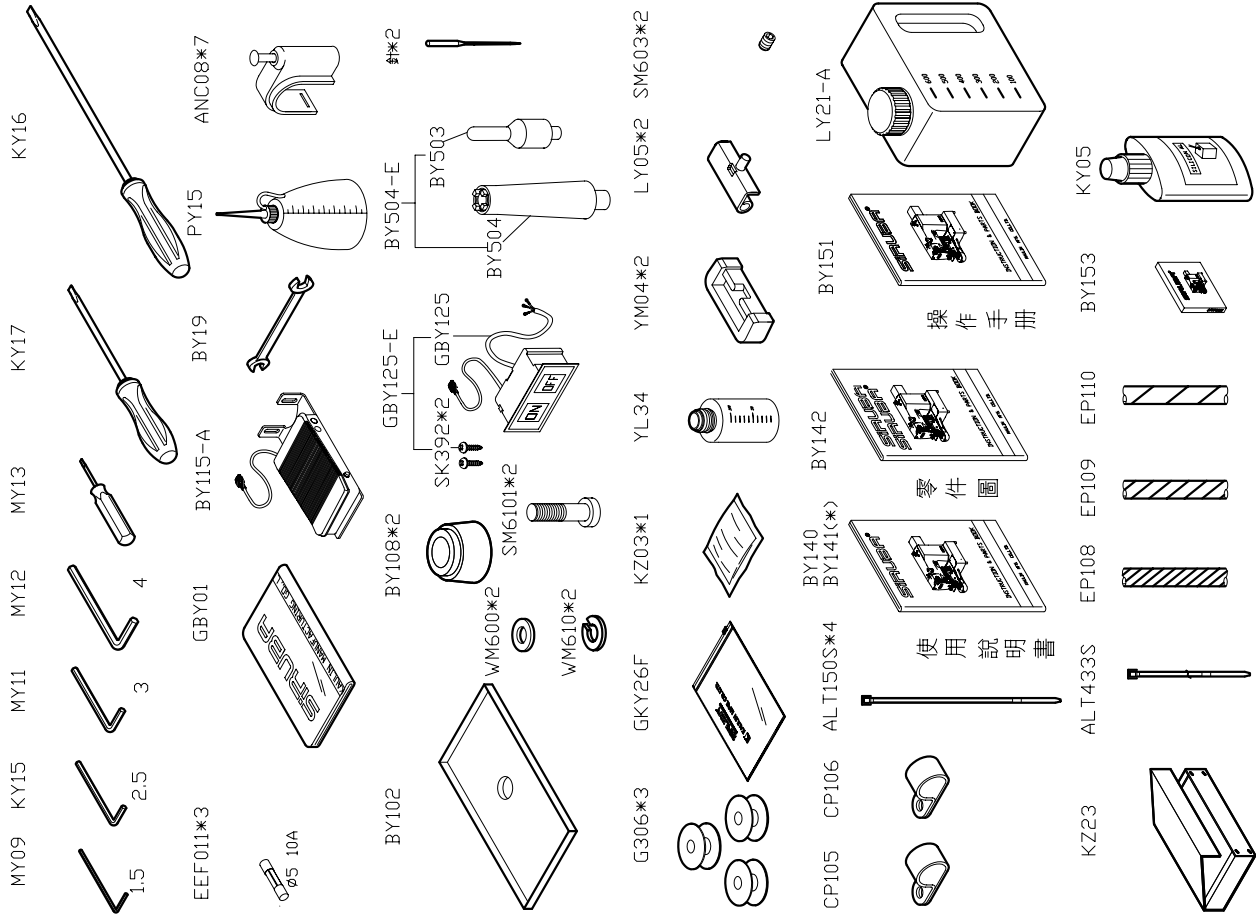


PARTS LIST FOR BY (1) GROUP

PARTS LIST FOR BY (2) GROUP



BY115-A



KY16

KY17

MY13

MY12

MY11

KY15

ANC08*7

PY15

BY19

BY115-A

GBY01

EEF011*3

#*2

BY504-E

GBY125-E

BY108*2

BY102

BY504-E

BY108*2

BY503

BY504

GBY125

SK392*2

SM6101*2

WM600*2

WM610*2

LY05*2

SM603*2

YM04*2

YL34

KZ03*1

GKY26F

G306*3

LY21-A

BY151

BY142

BY140

BY141(*)

CP105

CP106

操作手册

零件图

使用说明书

KY05

BY153

EP110

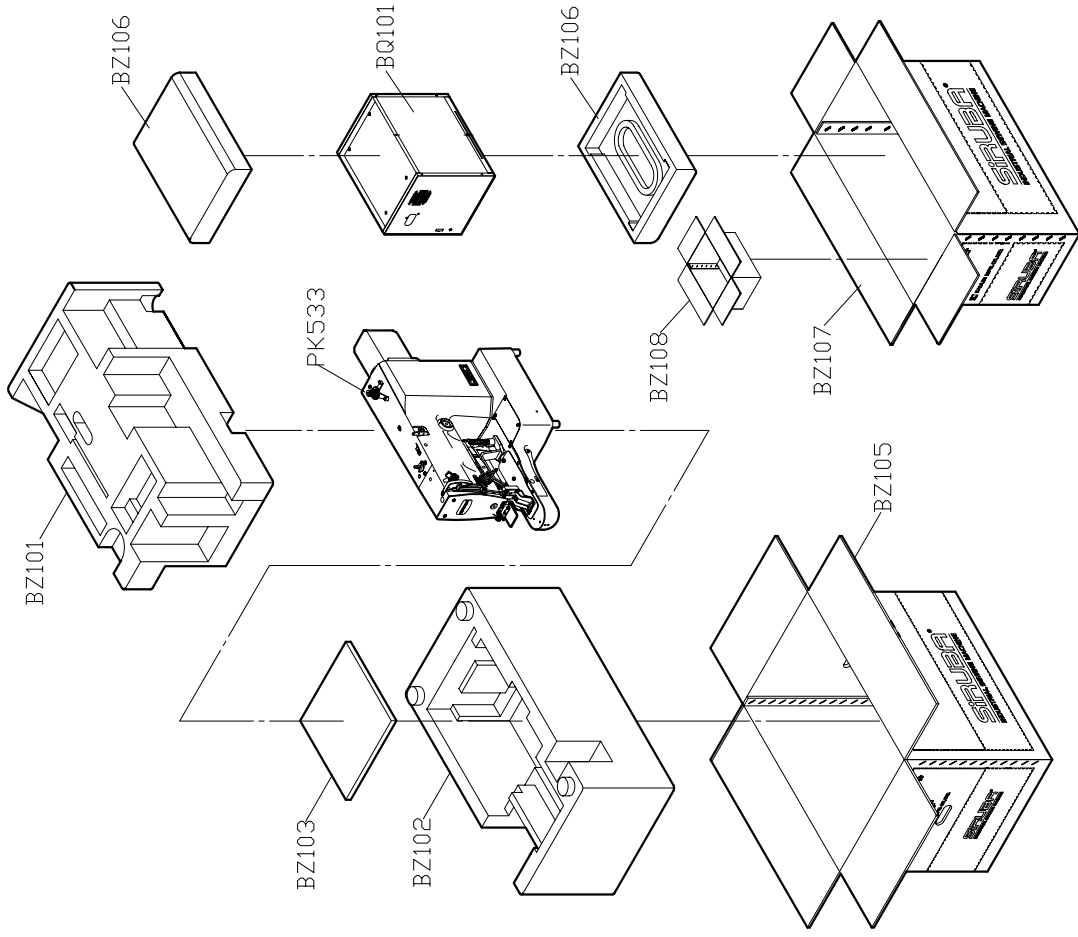
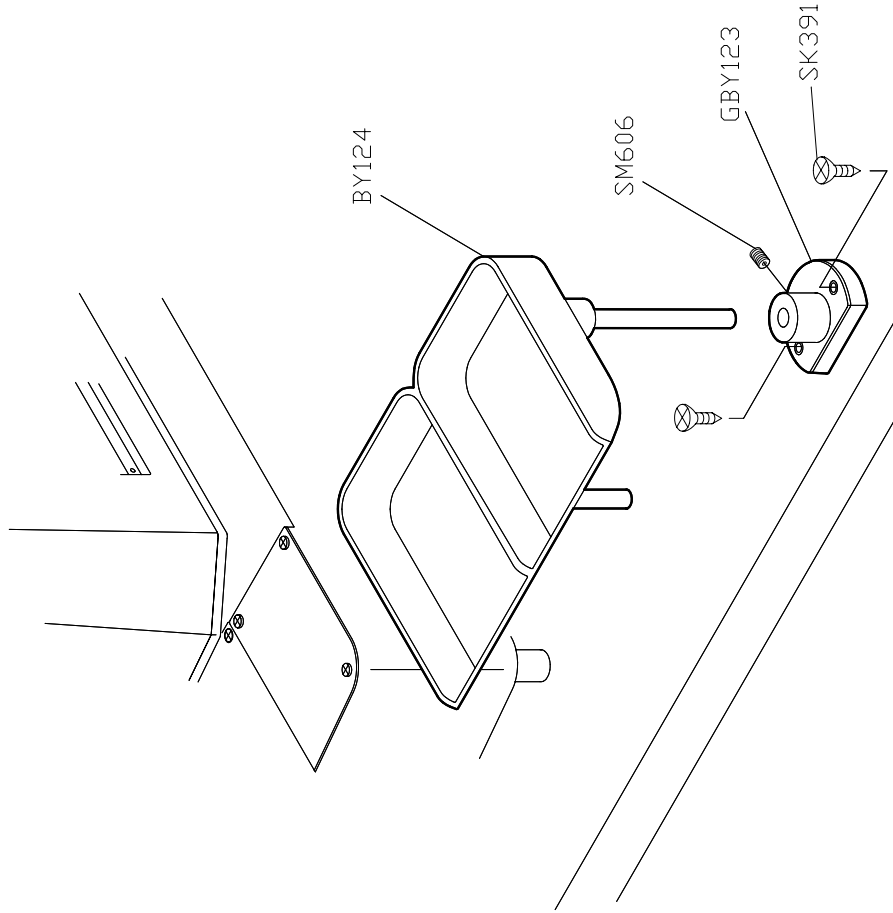
EP109

EP108

ALT433S

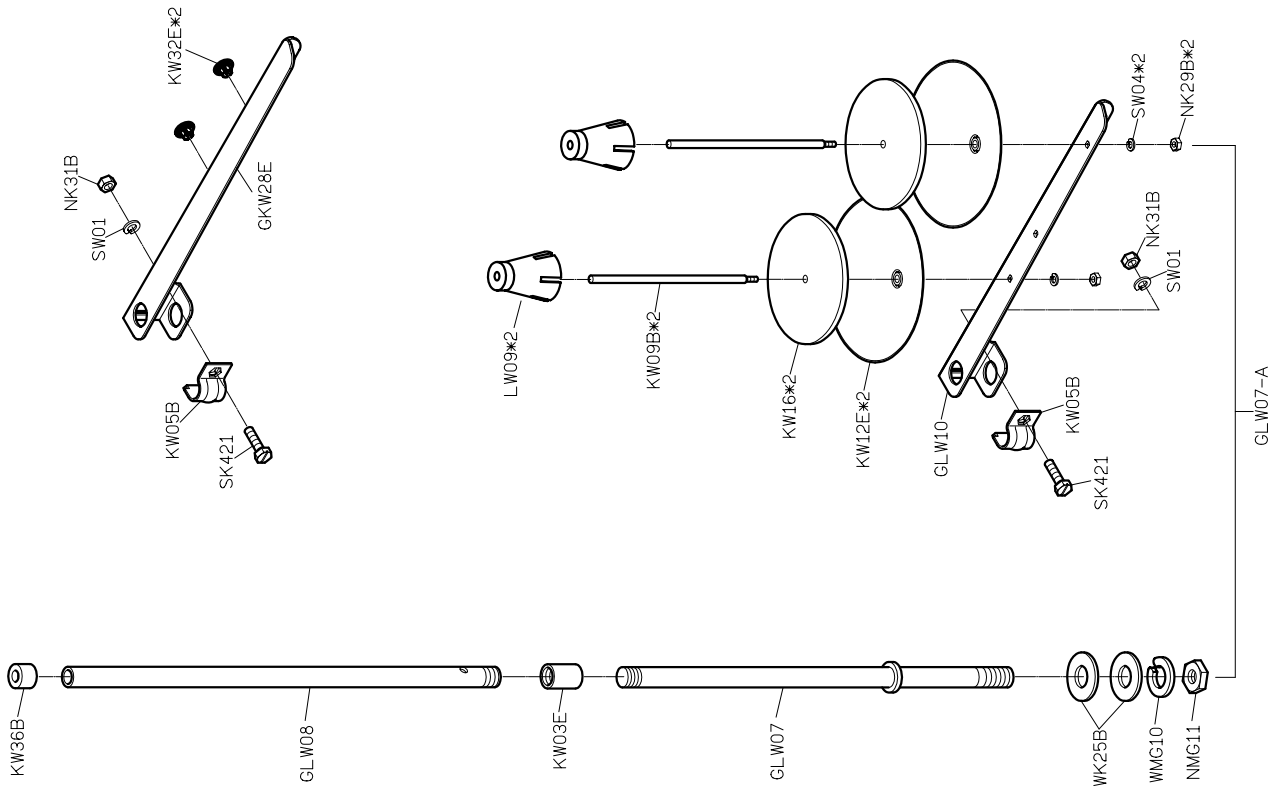
KZ23

BY124-A



FOR PK533A

PARTS LIST FOR THREAD STAND GROUP





PK533

高林股份有限公司 KAULIN MFG. CO., LTD.