

MODEL : DLN-5410N SERIES

List No : 0904-07

# PARTS LIST

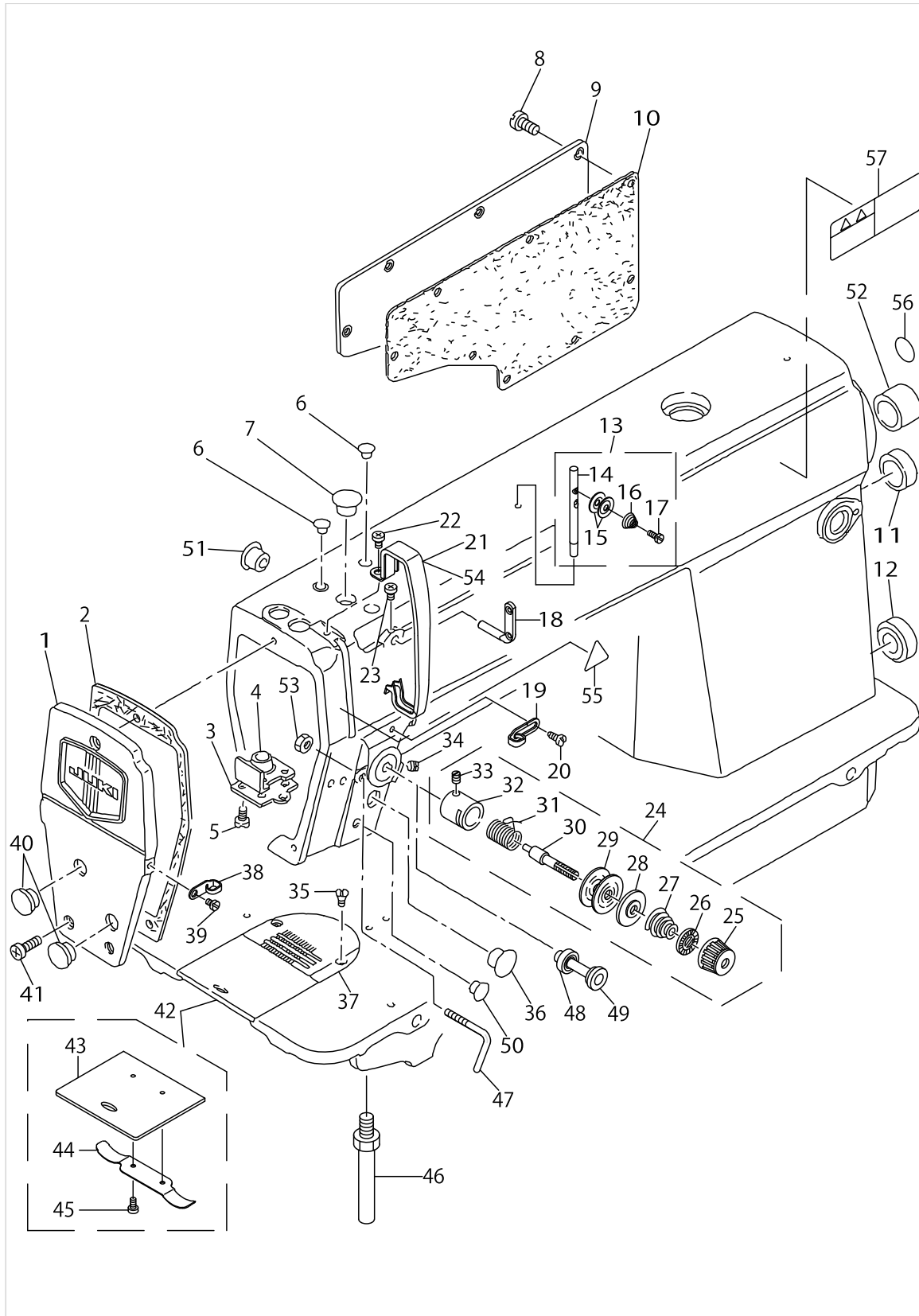
Published:09/10/2017

## CONTENTS

---

MACHINE FRAME & MISCELLANEOUS COVER COMPONENTS .....	1
MAIN SHAFT & THREAD TAKE-UP LEVER COMPONENTS .....	5
NEEDLE BAR, UPRIGHT SHAFT & HOOK DRIVING SHAFT COMPONENTS .....	7
HAND LIFTER COMPONENTS .....	9
FEED MECHANISM COMPONENTS.....	11
NEEDLE BAR FRAME COMPONENTS.....	15
OIL LUBRICATION COMPONENTS .....	17
OIL RESERVOIR COMPONENTS .....	19
BELT COVER & BOBBIN WINDER COMPONENTS .....	21
THREAD STAND COMPONENTS.....	23
EXCLUSIVE PARTS FOR DLN-5410NH.....	25
EXCLUSIVE PARTS FOR DLN-5410NL.....	27
LIST FOR INFORMATION OF CHANGE.....	29
HOW TO MAKE USE OF THIS PARTS LIST .....	30

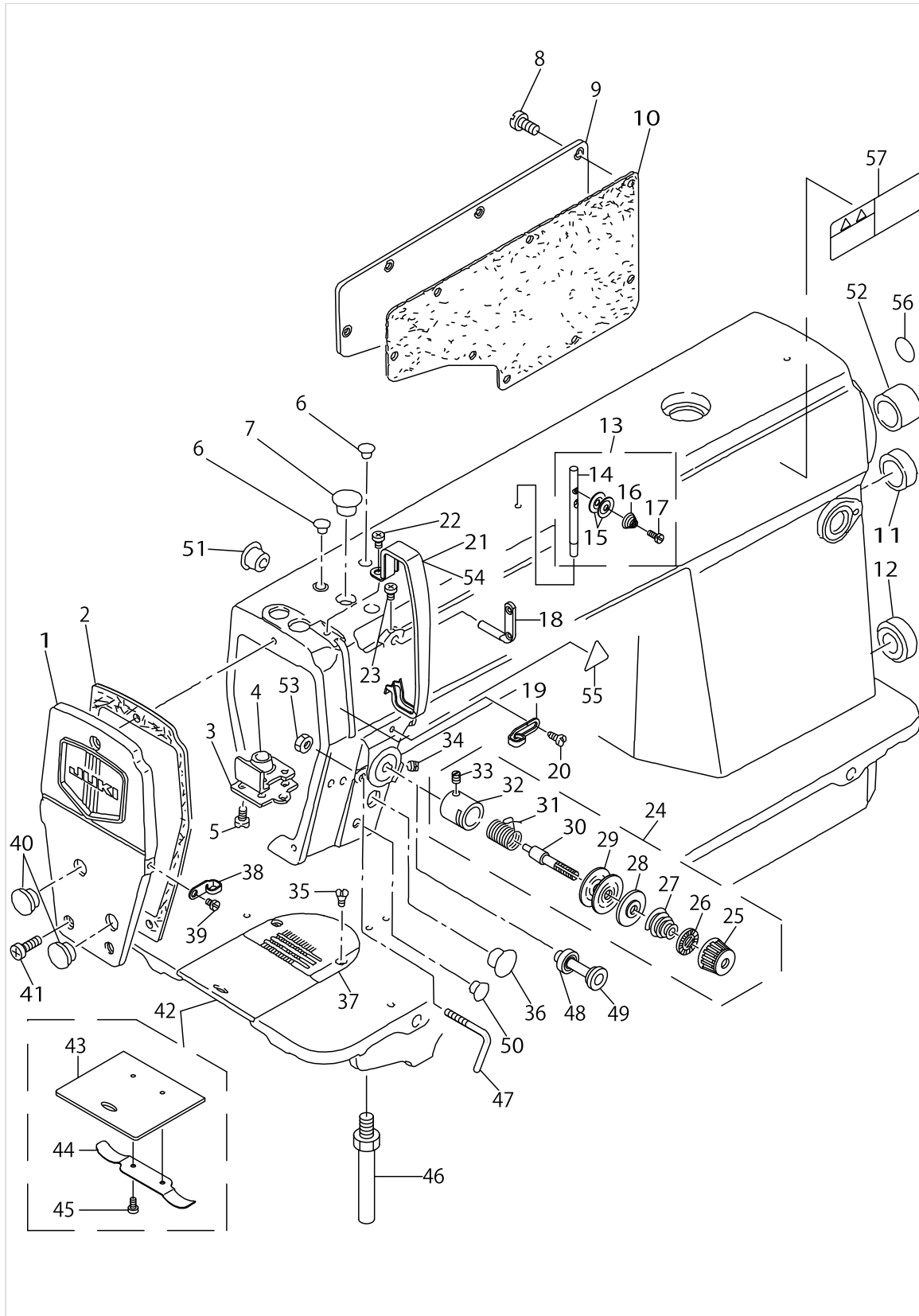
MACHINE FRAME & MISCELLANEOUS COVER COMPONENTS



MACHINE FRAME & MISCELLANEOUS COVER COMPONENTS

No.	Parts No.	Parts name	Remarks	Level	Cons	Qty
1	11325750	FACE PLATE ASM.				1
2	11300506	FACE PLATE GASKET				1
3	11300407	PRESSER BAR SUPPORT				1
4	11300605	GASKET				1
5	SS1120710SP	SCREW 3/16-28 L=6.7				4
6	TA0850604R0	RUBBER PLUG				2
7	TA1250705R0	RUBBER PLUG				1
8	SS4120915SP	SCREW 3/16-28 L=9				8
9	22900401	WINDOW PLATE				1
10	11003308	GASKET				1
11	TA2000502R0	RUBBER PLUG				1
12	TA2101002R0	RUBBER PLUG				1
13	22932552	NEEDLE THREAD GUIDE PIN ASM.				1
14	22932503	THREAD GUIDE ROD		*		1
15	22932602	THREAD GUIDE DISK		*		2
16	22932701	THREAD GUIDE DISK SPRING		*		1
17	SD0380552SL	HINGE SCREW D=3.8 H=5.5		*		1
18	22920706	TWO EYELET				1
19	22920508	ARM THREAD GUIDE A				1
20	22921001	SCREW				1
21	22900609	THREAD TAKE-UP LEVER COVER				1
22	SS4120615SP	SCREW 3/16-28 L=6				1
23	SS4120615SP	SCREW 3/16-28 L=6				1
24	22945356	THREAD TENSION ASM.				1
25	22921308	THREAD TENSION NUT		*		1
26	22921407	ROTATION STOPPER		*		1
27	22921704	THREAD TENSION SPRING, A		*		1
28	22921803	DISK STOPPER		*		1
29	22921506	THREAD TENSION DISK		*		2
30	22921209	THREAD TENSION POST		*		1
31	22921605	THREAD TAKE-UP SPRING		*		1
32	22945307	THREAD TENSION POST BASE		*		1
33	SS8090670SP	SCREW 9/64-40 L= 5.5		*		1
34	SS8150710TP	SCREW 15/64-28 L=7				1
35	SS2110920TP	SCREW 11/64-40 L=8.5				2
36	TA1250504R0	RUBBER PLUG				1
37	11300308	THROAT PLATE				1
38	22920607	ARM THREAD GUIDE B				1
39	SS6110610TP	SCREW 11/64-40 L=6				1
40	TA1250406R0	RUBBER PLUG D=12.5 L=4				2
41	SS4121015SP	SCREW 3/16-28 L=10				3
42	22901250	SLIDE PLATE ASM.				1
43	22901201	SLIDE PLATE		*		1
44	22901300	SLIDE PLATE SPRING		*		1
45	SS6060210SP	SCREW 3/32-56 L= 1.9		*		2
46	22901003	BED SCREW STUD				4
47	22972608	ARM THREAD GUIDE C				1

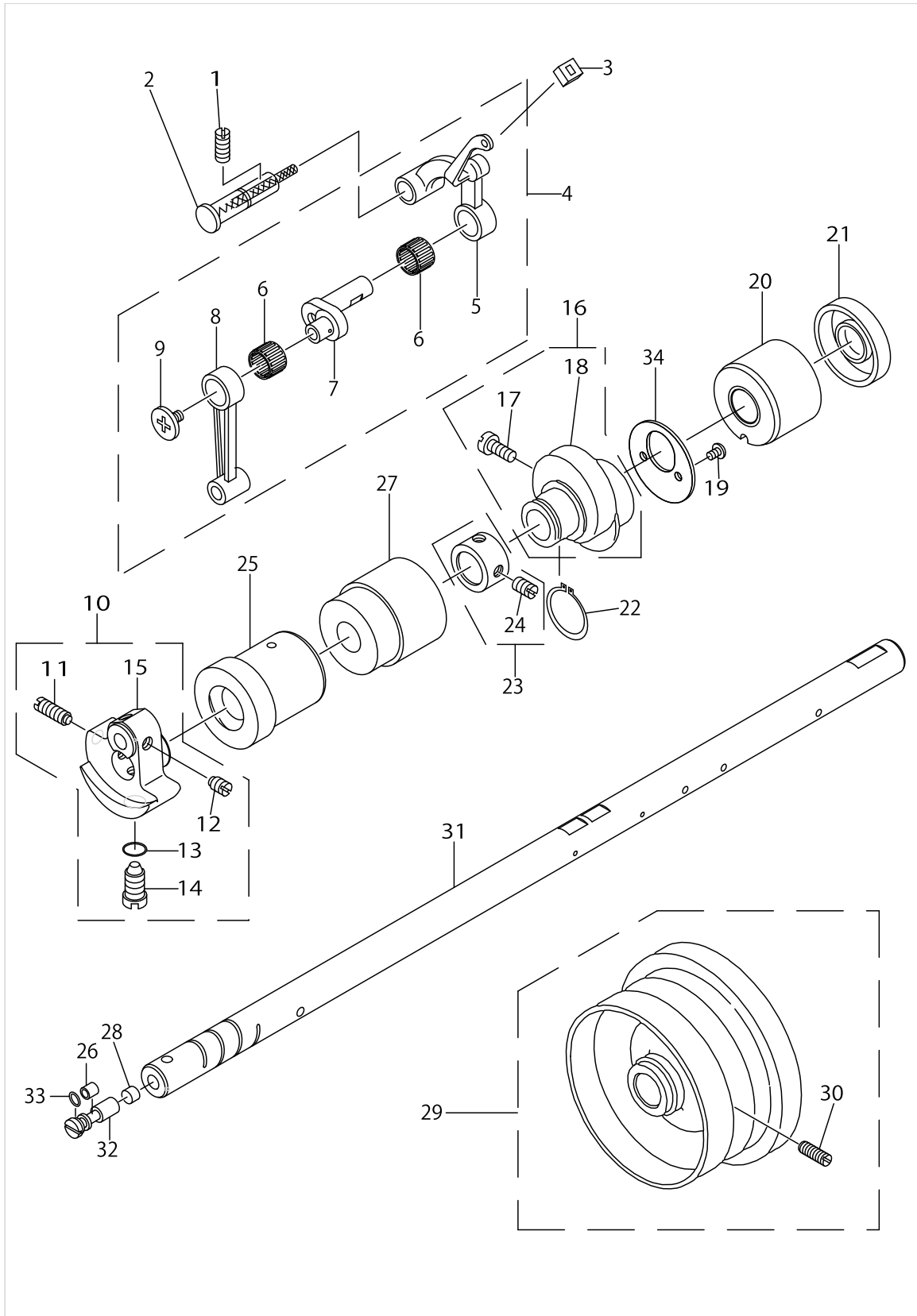
MACHINE FRAME & MISCELLANEOUS COVER COMPONENTS



MACHINE FRAME & MISCELLANEOUS COVER COMPONENTS

No.	Parts No.	Parts name	Remarks	Level	Cons	Qty
48	B31334150A0	TENSION RELEASE PIN CAP ASM.				1
49	B3136415000	CAP RING				1
50	TA0850604R0	RUBBER PLUG				1
51	TA1250504R0	RUBBER PLUG				1
52	TA2101002R0	RUBBER PLUG				1
53	NS6090310SP	NUT 9/64-40				1
54	22901904	THREAD TAKE-UP LEVER COVER	FOR JE			1
55	CM300200001	ATTENTION SEAL				1
56	22901805	GROUND MARK				1
57	CM301300001	SAFETY LABEL				1

# MAIN SHAFT & THREAD TAKE-UP LEVER COMPONENTS

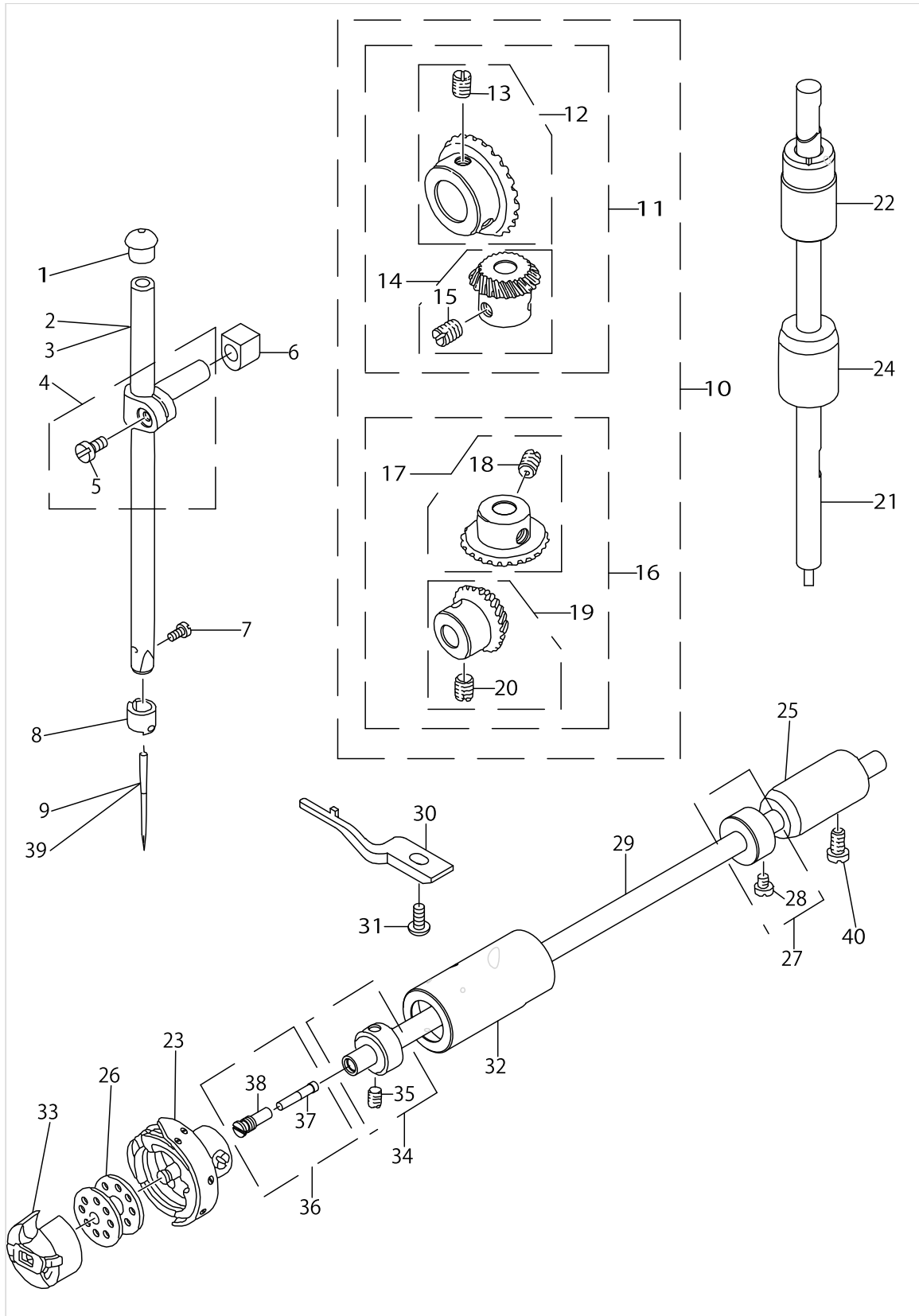


MAIN SHAFT & THREAD TAKE-UP LEVER COMPONENTS

No.	Parts No.	Parts name	Remarks	Level	Cons	Qty
1	SS8151150TP	SCREW 15/64-28 L=10.5				1
2	11017357	THREAD TAKE-UP CRANK SHAFT ASM.				1
3	22919203	OIL PROTECTING RUBBER				1
4	11039070	THREAD TAKE-UP LEVER ASM.				1
5	11039062	THREAD TAKE-UP LEVER ASM.		*		1
6	B1905541B00	NEEDLE BEARING	SELECTIVE PARTS	*		2
7	11005204	NEEDLE BAR CRANK		*		1
8	B1408552000	NEEDLE BAR CRANK ROD		*		1
9	B1903552000	LEFT SCREW		*		1
10	22903157	COUNTER WEIGHT ASM.				1
11	SS8681650TP	SCREW 9/32-28 L=16		*		1
12	SS8660610TP	SCREW 1/4-40 L=6		*		2
13	RO044240100	RUBBER RING		*		1
14	SS7681650TP	SCREW 9/32-28 L=16		*		1
15	22903108	COUNTER WEIGHT		*		1
16	11302353	FEED DRIVE ECCENTRIC CAM ASM.				1
17	SS6661110SP	SCREW 1/4-40 L=11		*		2
18	11302304	FEED DRIVE ECCENTRIC CAM		*		1
19	SS4090615SP	SCREW 9/64-40 L=6				2
20	11002409	MAIN SHAFT BUSHING, REAR				1
21	11002508	OIL SEAL				1
22	RC1850001KP	SNAP RING 18.5				1
23	22904155	MAIN SHAFT THRUST COLLAR ASM.				1
24	SS8660610TP	SCREW 1/4-40 L=6		*		2
25	11300902	BUSHING, FRONT				1
26	B1215552000	OIL ADJUSTING COLLAR				1
27	11202306	BUSHING, INTERMEDIATE				1
28	11002904	ROLLER FELT				1
29	11071362	FLYWHEEL ASM.				1
30	SS8151550SP	SCREW 15/64-28 L=15		*		2
31	22903009	MAIN SHAFT				1
32	22903900	ADJUSTING PIN				1
33	RO029180100	RUBBER RING				1
34	22910103	THRUST COLLAR				1



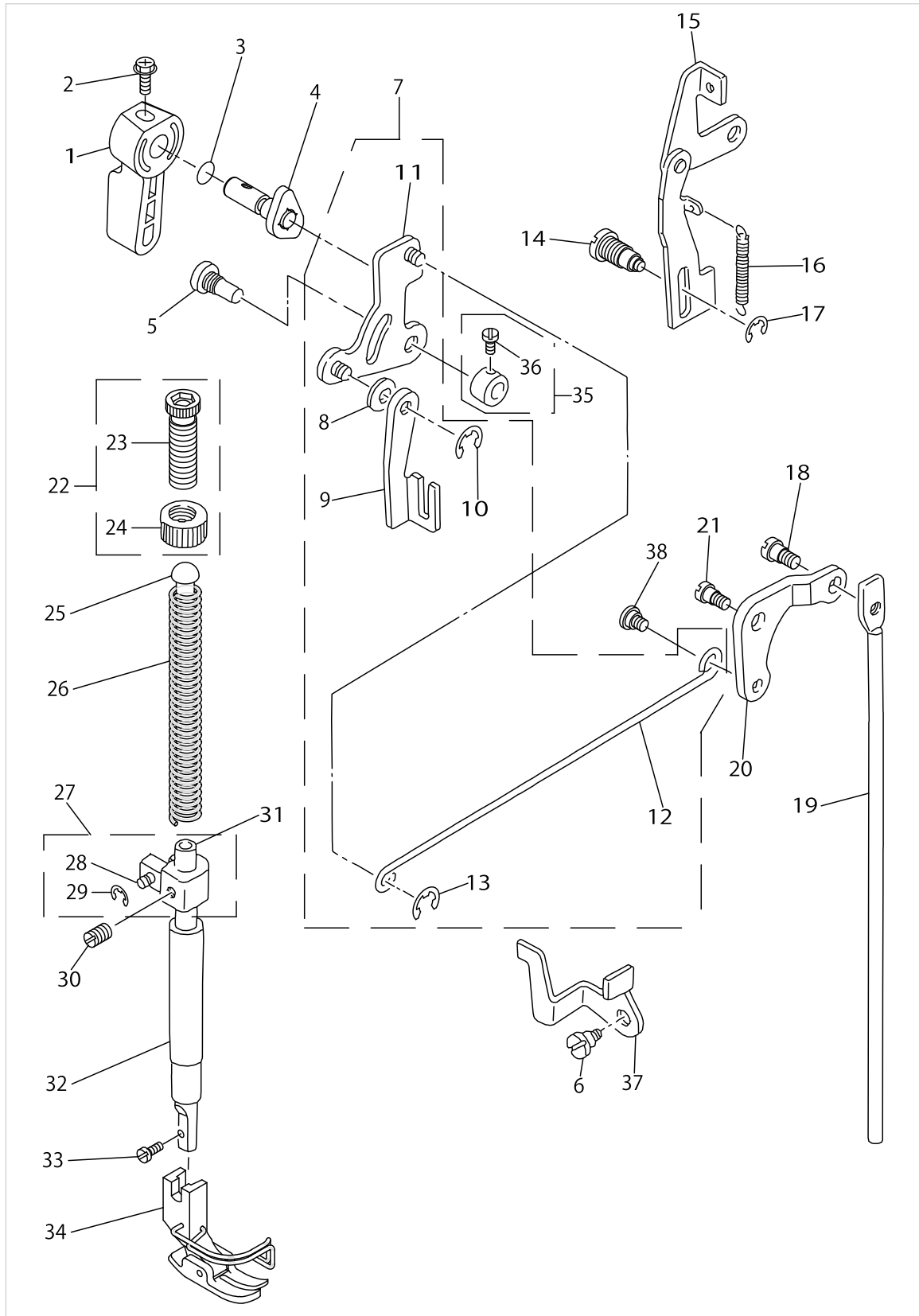
NEEDLE BAR, UPRIGHT SHAFT & HOOK DRIVING SHAFT COMPONENTS



NEEDLE BAR, UPRIGHT SHAFT & HOOK DRIVING SHAFT COMPONENTS

No.	Parts No.	Parts name	Remarks	Level	Cons	Qty
1	TA1250804R0	RUBBER PLUG				1
2	11301009	NEEDLE BAR, A				1
3	11301108	NEEDLE BAR, B	FOR JE			1
4	22906457	NEEDLE BAR HOLDER ASM.				1
5	SS6090670TP	SCREW 9/64-40 L=6		*		1
6	B1414226000	SLIDE BLOCK				1
7	SS7080510TP	SCREW 1/8-44 L=4.5				1
8	B1418552A00	NEEDLE THREAD GUIDE A				1
9	MDB100B1400	NEEDLE DBX1 #14				1
10	B13061550C0	GEAR & PINION ASM.				1
11	B13061550B0	GEAR & PINION ASM., UPPER		*		1
12	B13050120A0	GEAR ASM.		*		1
13	SS8660810TP	SCREW 1/4-40 L=8		*		2
14	B13061550A0	PINION ASM.		*		1
15	SS8660810TP	SCREW 1/4-40 L=8		*		2
16	B13071550B0	GEAR & PINION ASM., LOWER		*		1
17	B13071550A0	GEAR ASM. LARGE		*		1
18	SS8660810TP	SCREW 1/4-40 L=8		*		2
19	B13081550A0	PINION ASM.		*		1
20	SS8660810TP	SCREW 1/4-40 L=8		*		2
21	22905004	UPRIGHT SHAFT				1
22	22905103	UPRIGHT SHAFT BUSHING, UPPER				1
23	B18304150A0	HOOK ASM.				1
24	11004207	UPRIGHT SHAFT BUSHING, LOWER				1
25	11015807	BUSHING, REAR				1
26	22932909	BOBBIN				1
27	22917157	THRUST COLLAR ASM., REAR				1
28	SS6110420TP	SCREW 11/64-40 L=4.8		*		2
29	22916001	HOOK DRIVING SHAFT				1
30	22916407	BOBBIN CASE POSITIONING FINGER				1
31	SS4110915TP	SCREW 11/64-40 L=9				1
32	22916100	HOOK DRIVING SHAFT BUSH, FRONT				1
33	B18370120A0	BOBBIN CASE ASM.				1
34	22917058	THRUST COLLAR ASM., FRONT				1
35	SS8110410TP	SCREW 11/64-40 L= 3.5		*		2
36	22916555	OIL SEAL SCREW ASM.				1
37	11015906	OIL WICK		*		1
38	22916506	SET SCREW		*		1
39	MC200500900	NEEDLE 134 90	FOR JE			1
40	SS4120915SP	SCREW 3/16-28 L=9				1

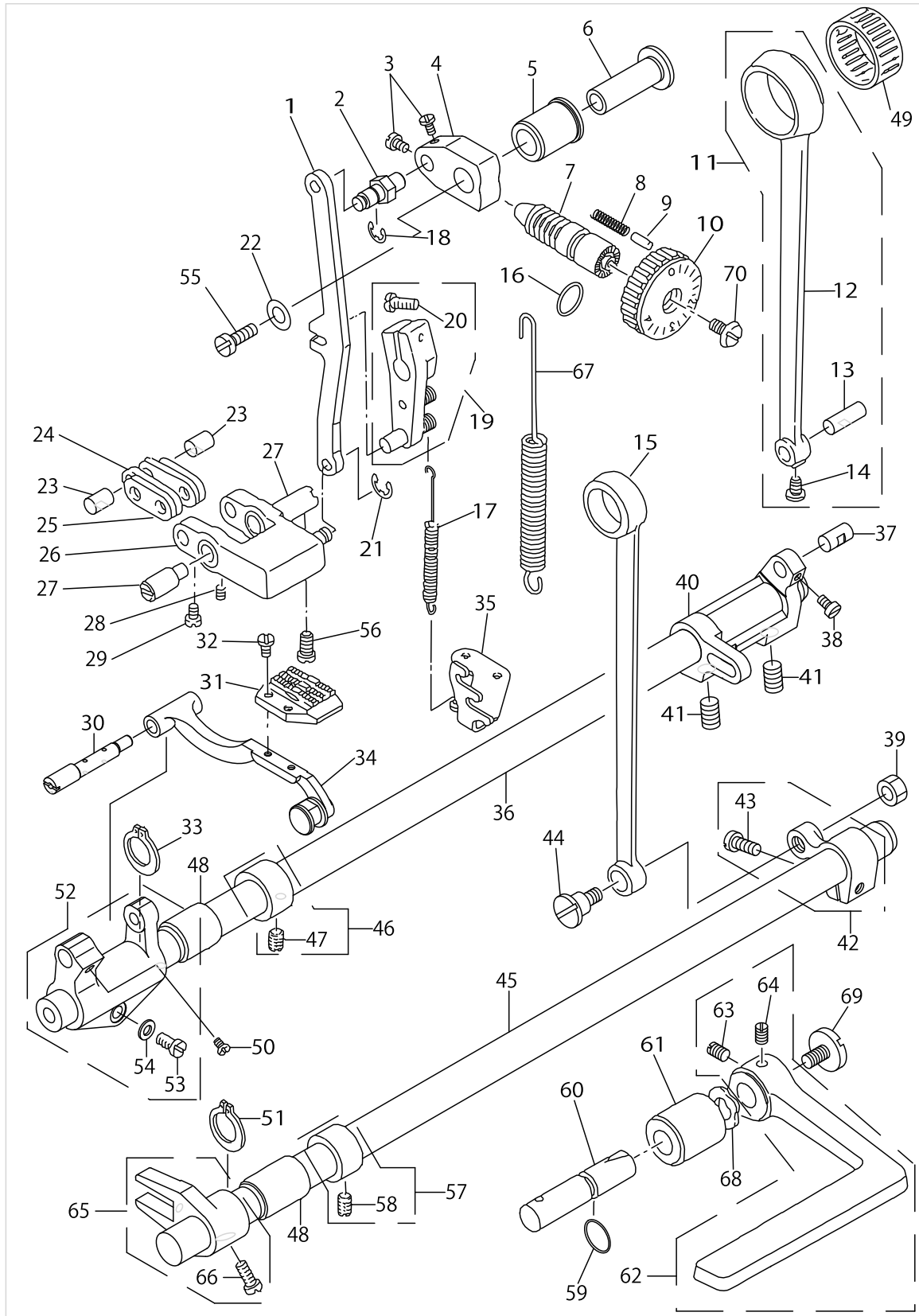
# HAND LIFTER COMPONENTS



HAND LIFTER COMPONENTS

No.	Parts No.	Parts name	Remarks	Level	Cons	Qty
1	22907802	HAND LIFTER				1
2	B1521555000	SCREW				1
3	RO037180100	RUBBER RING				1
4	22908552	HAND LIFTER CAM ASM.				1
5	11301702	LINK SHAFT				1
6	SD0640261SP	HINGE SCREW D=3.65 H=2.6				1
7	11301652	LIFTING LEVER ASM.				1
8	WP0650876SD	WASHER 6.5X13X0.8		*		1
9	11301603	LIFTING LEVER		*		1
10	RE0500000K0	E-RING		*		1
11	11006350	HAND LIFTER LINK ASM.		*		1
12	11006905	LIFTING LEVER CONNECTING ROD		*		1
13	RE0500000K0	E-RING		*		1
14	11306107	TENSION RELEASE PLATE SHAFT				1
15	11305653	TENSION RELEASE PLATE ASM.				1
16	11305901	SPRING				1
17	RE0300000K0	E-RING 3				1
18	SD0600322SD	HINGE SCREW D=6 H=3.2				1
19	11205408	CONNECTING ROD				1
20	11205309	LIFTING LEVER LINK				1
21	SD0720331SP	HINGE SCREW D= 7.24 H= 3.3				1
22	22907554	FEED REGULATOR SCREW NUT ASM.				1
23	22907505	PRESSER SPRING REGULATOR		*		1
24	22907604	PRESSER SPRING REGULATOR NUT		*		1
25	22907703	PRESSER GUIDE BAR				1
26	22907406	PRESSER SPRING				1
27	11301355	NEEDLE BAR GUIDE BRACKET ASM.				1
28	11301405	PIN		*		1
29	RE0300000K0	E-RING 3		*		2
30	SS8660610TP	SCREW 1/4-40 L=6				1
31	40017805	PRESSER BAR				1
32	40060989	PRESSER BAR BUSHING LOWER				1
33	SS7091110TP	SCREW 9/64-40 L=10.5				1
34	D1524415BBC	PRESSER FOOT ASM.				1
35	CS064061ASP	THRUST COLLAR ASM.				1
36	SS7090620TP	SCREW 9/64-40 L=6.1		*		1
37	11305703	TENSION RELEASE LINK, A				1
38	22908909	HINGE SCREW				1

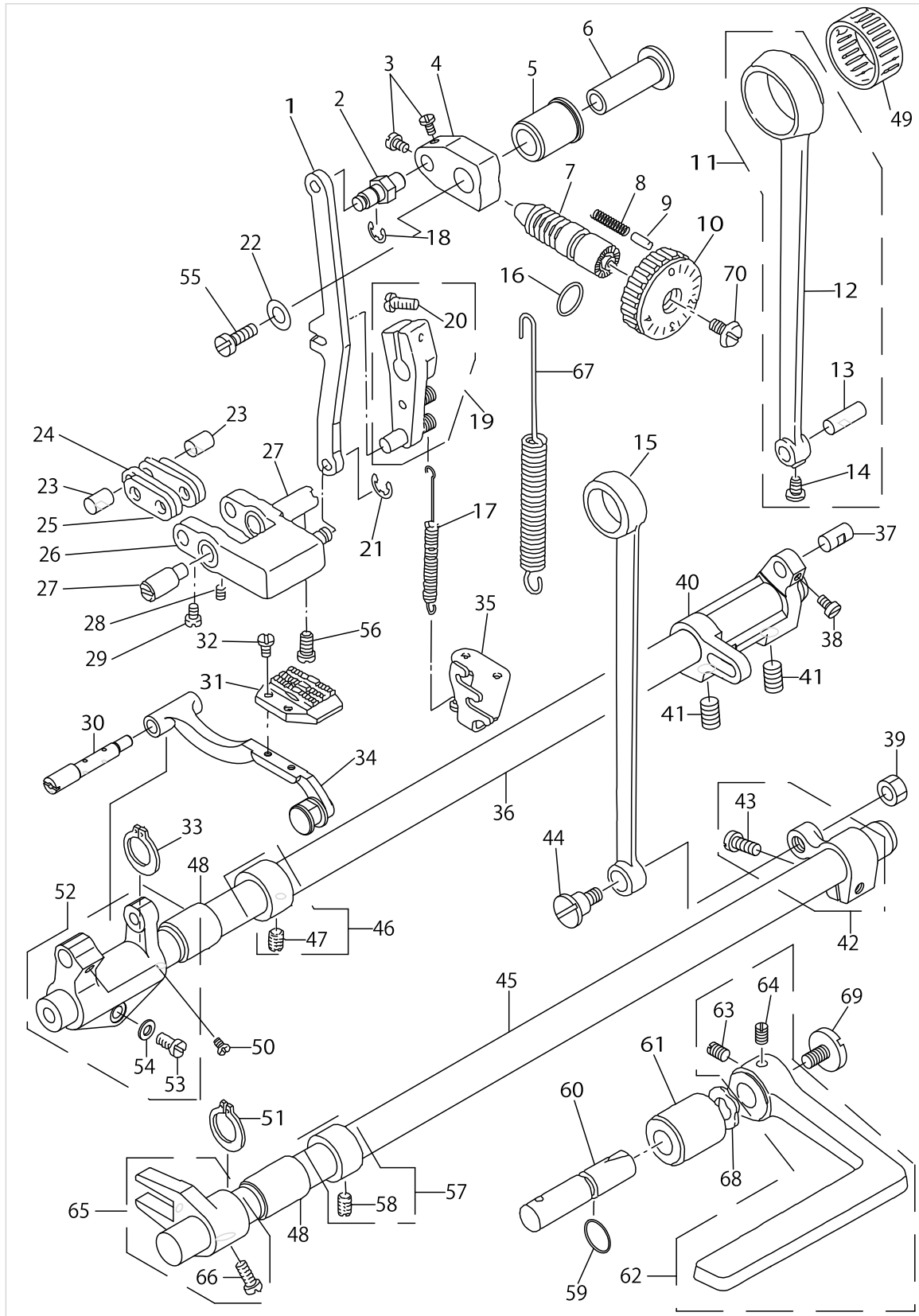
FEED MECHANISM COMPONENTS



FEED MECHANISM COMPONENTS

No.	Parts No.	Parts name	Remarks	Level	Cons	Qty
1	22971105	FEED REGULATOR ROD				1
2	22971204	FEED REGULATOR BASE PIN				1
3	SS6090560TP	SCREW 9/64-40 L=4.5				2
4	11303328	FEED REGULATOR BUSHING				1
5	22911705	FEED REGULATOR BUSHING				1
6	11385127	FEED REGULATOR SHAFT				1
7	22911804	FEED REGULATOR SCREW				1
8	22912109	FEED REGULATOR PIN SPRING				1
9	22912000	FEED REGULATOR PIN				1
10	11326204	FEED DIAL				1
11	40081220	ROCKERSHAFTCONNECTINGRODASM.				1
12	11302411	ROCKER SHAFT CONNECTING ROD		*		1
13	22911101	WALKING FOOT PIN C		*		1
14	SS6090620TP	SCREW		*		1
15	22915003	CONNECTING ROD				1
16	RO092270200	RUBBER RING				1
17	11305000	SPRING				1
18	RE0500000K0	E-RING				1
19	22971550	FEED LEVER ARM ASM.				1
20	SS7121410TP	SCREW 3/16-28 L=14		*		1
21	RE0500000K0	E-RING				1
22	WP0702026SP	WASHER 7X15X2				1
23	22910905	WALKING FOOT PIN A				2
24	22910707	CONNECTING LINK B				2
25	22910608	CONNECTING LINK A				2
26	11303161	FEED ADJUST LINK ASM.				1
27	22910806	ADJUST LINK FULCRUM SHAFT A				2
28	SS8150710TP	SCREW 15/64-28 L=7				1
29	SS6090620TP	SCREW				2
30	22940803	FEED BAR SHAFT				1
31	D1609415B00	FEED DOG				1
32	SS4080620TP	SCREW 1/8-44 L=6				2
33	RC0150001KP	RETAINING RING 13.8				1
34	22971857	FEED BASE ASM.				1
35	22970602	FEED SPRING HOOK				1
36	22912901	FEED ROCKER SHAFT				1
37	22911002	WALKING FOOT PIN B				1
38	SS6090620TP	SCREW				1
39	NS6680410SP	NUT 9/32-28				1
40	11302502	FEED ROCKER SHAFT CRANK				1
41	SS8681130SP	SCREW 9/32-28 L=11				2
42	22915151	FEED ARM COMPL.				1
43	SS7121610SP	SCREW 3/16-28 L=15.5		*		1
44	SD1000801SH	HINGE SCREW D=10 H=8				1
45	22915201	FEED DRIVING SHAFT				1
46	CS147121ASH	THRUST COLLAR ASM.D=14.72 W=12				1
47	SS8660610TP	SCREW 1/4-40 L=6		*		2

FEED MECHANISM COMPONENTS

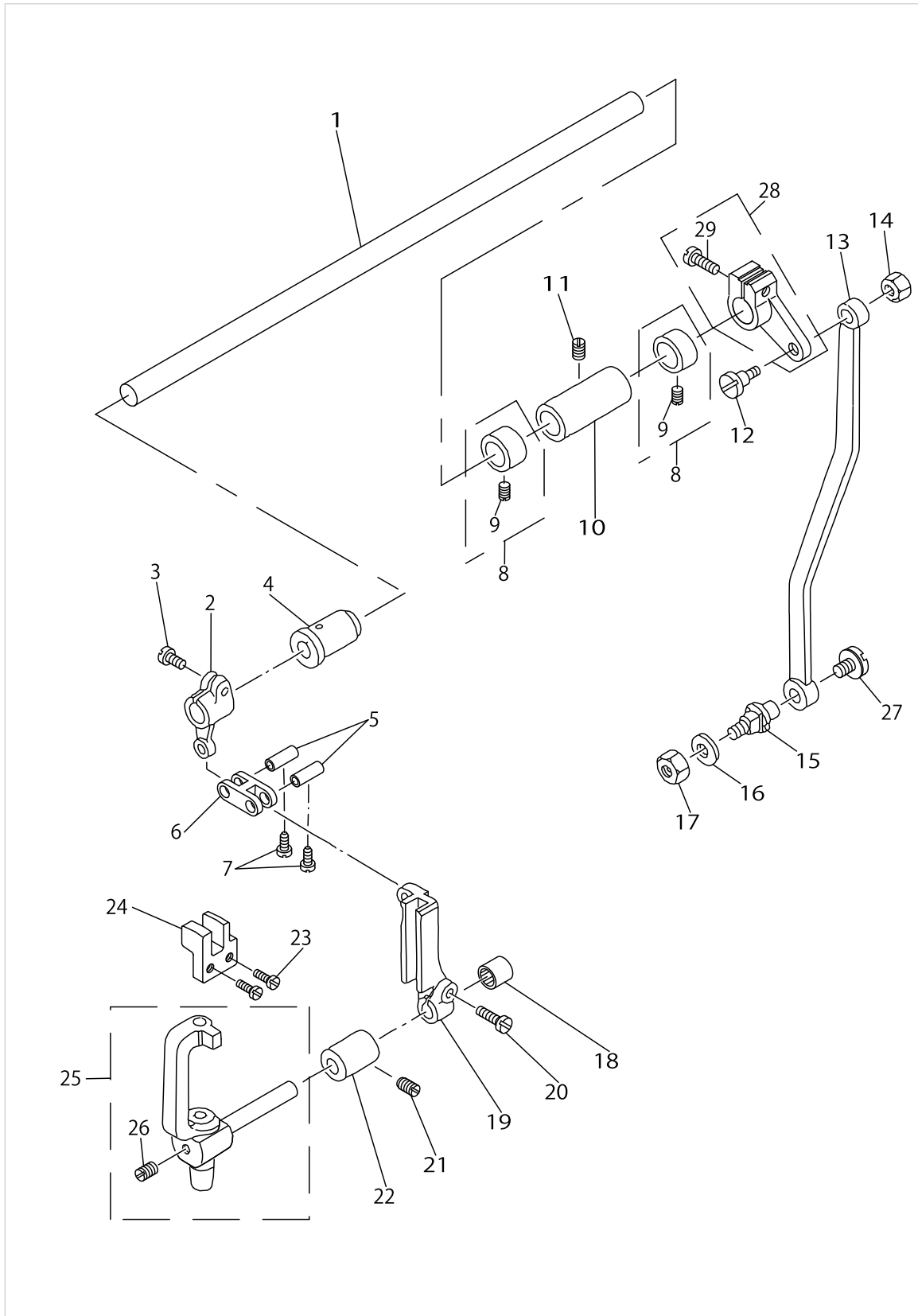


FEED MECHANISM COMPONENTS

No.	Parts No.	Parts name	Remarks	Level	Cons	Qty
48	22913008	FEED ROCKER SHAFT BUSHING				2
49	B1636581C00	NEEDLE BEARING	SELECTIVE PARTS			1
50	SS7110740TP	SCREW 11/64-40 L=7				1
51	RC0150001KP	RETAINING RING 13.8				1
52	22940654	FEED ROCKER ASM.				1
53	SS7121410TP	SCREW 3/16-28 L=14		*		1
54	WP0480856SP	WASHER 4.8X8.4X0.8		*		1
55	SS9661120CP	SCREW 1/4-40 L=10.5				1
56	SS6151220SP	SCREW 15/64-28 L=11.5				1
57	CS147121ASH	THRUST COLLAR ASM.D=14.72 W=12				1
58	SS8660610TP	SCREW 1/4-40 L=6		*		2
59	RO078190100	RUBBER RING				1
60	22967202	FEED REVERSE SHAFT				1
61	22912802	FEED LEVER SHAFT BUSHING				1
62	22912752	FEED LEVER ASM.				1
63	SS8661030SP	SCREW 1/4-40 L=10		*		1
64	SS8661040TP	SCREW 1/4-40 L=10		*		1
65	22915359	DRIVING SHAFT CRANK ASM.				1
66	SS7111120SP	SCREW 11/64-40 L=10.5		*		1
67	11302619	SPRING				1
68	WZ1250300K0	WAVED WASHER 12.5X17X0.3				1
69	SS7620750SP	SCREW 3/16-32 L= 6.5				1
70	SS6121860SP	SCREW 3/16-28 L=18				1



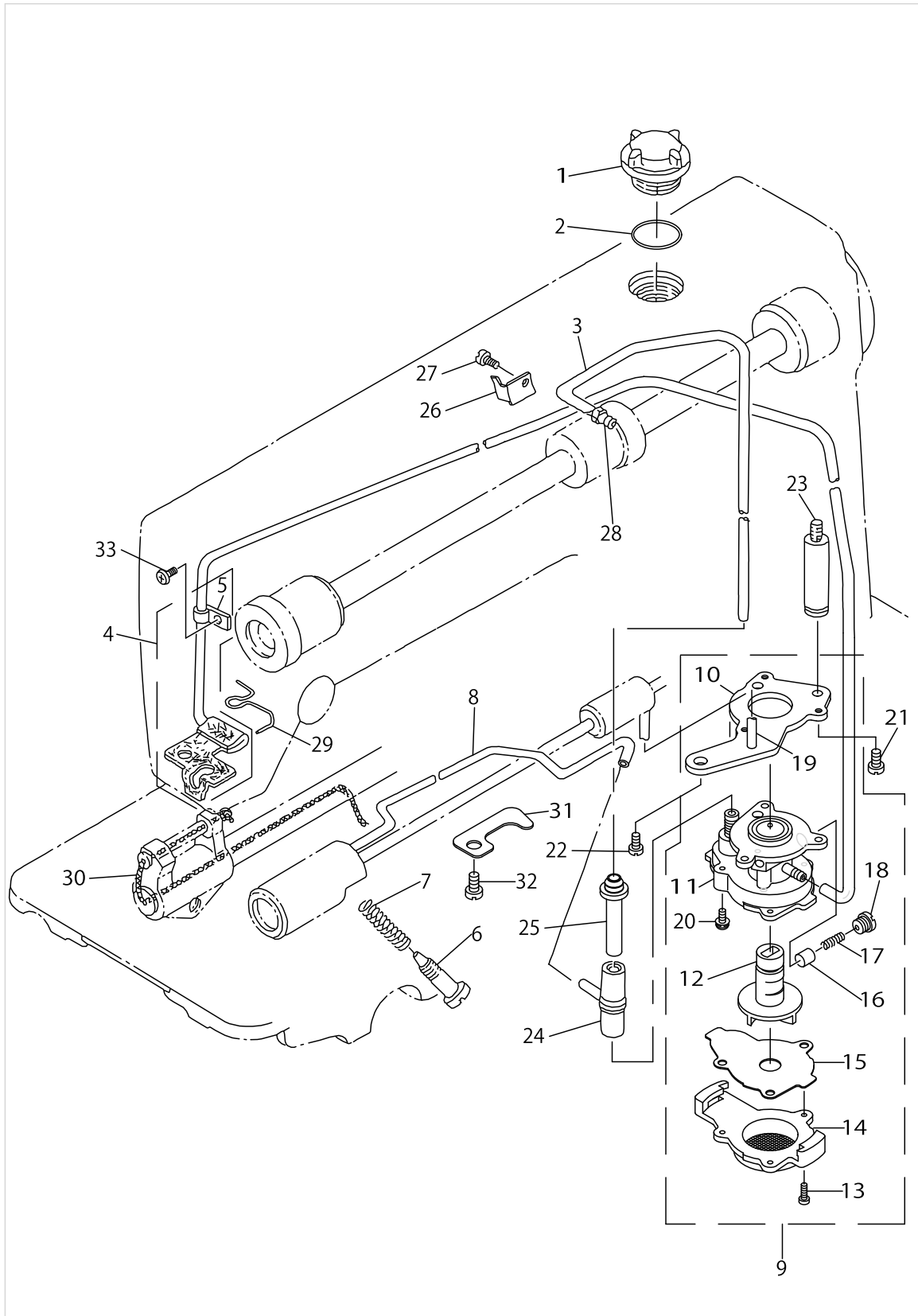
# NEEDLE BAR FRAME COMPONENTS



NEEDLE BAR FRAME COMPONENTS

No.	Parts No.	Parts name	Remarks	Level	Cons	Qty
1	11304409	CONNECTING SHAFT				1
2	11304003	DRIVING CRANK, FRONT				1
3	SS6121220TP	SCREW 3/16-28 L=11.5				1
4	11211000	ROCK SHAFT BUSHING, FRONT				1
5	B1412352B00	NEEDLE BAR LINK PIN	SELECTIVE PART			2
6	B2906415000	DRIVING LINK				1
7	SS6090660TP	SCREW 9/64-40 L=6				2
8	CS120101BSH	THRUST COLLAR ASM.				2
9	SS8660410SP	SCREW 1/4-40 L= 4.2		*		4
10	11210903	ROCK SHAFT BUSHING, REAR				1
11	SS8120740SP	SCREW 3/16-28 L=7				1
12	SD0790501SP	HINGE SCREW D=7.94 H=5				1
13	11304201	CONNECTING ROD				1
14	NS6150310SP	NUT 15/64-28				1
15	11304300	CONNECTING ROD SHAFT				1
16	WP0621016SD	WASHER 6.2X13X1				1
17	NS6150430SP	NUT 15/64-28				1
18	SB309000400	BEARING				1
19	11303807	SLIDE BLOCK GUIDE				1
20	SS6121610SP	SCREW 3/16-28 L=15.5				1
21	SS8120740SP	SCREW 3/16-28 L=7				1
22	11214509	BUSHING				1
23	SS6090810TP	SCREW 9/64-40 L=7.5				2
24	11303906	NEEDLE BAR FRAME GUIDE				1
25	11303567	NEEDLE ROD ROCKING BASE ASM.				1
26	SS8110310SP	SCREW 11/64-40 L= 2.8		*		1
27	SS6110640SP	SCREW 11/64-40 L=6				1
28	11304151	SHAFT ARM ASM. (REAR)				1
29	SS7121410SP	SCREW 3/16-28 L=14		*		1

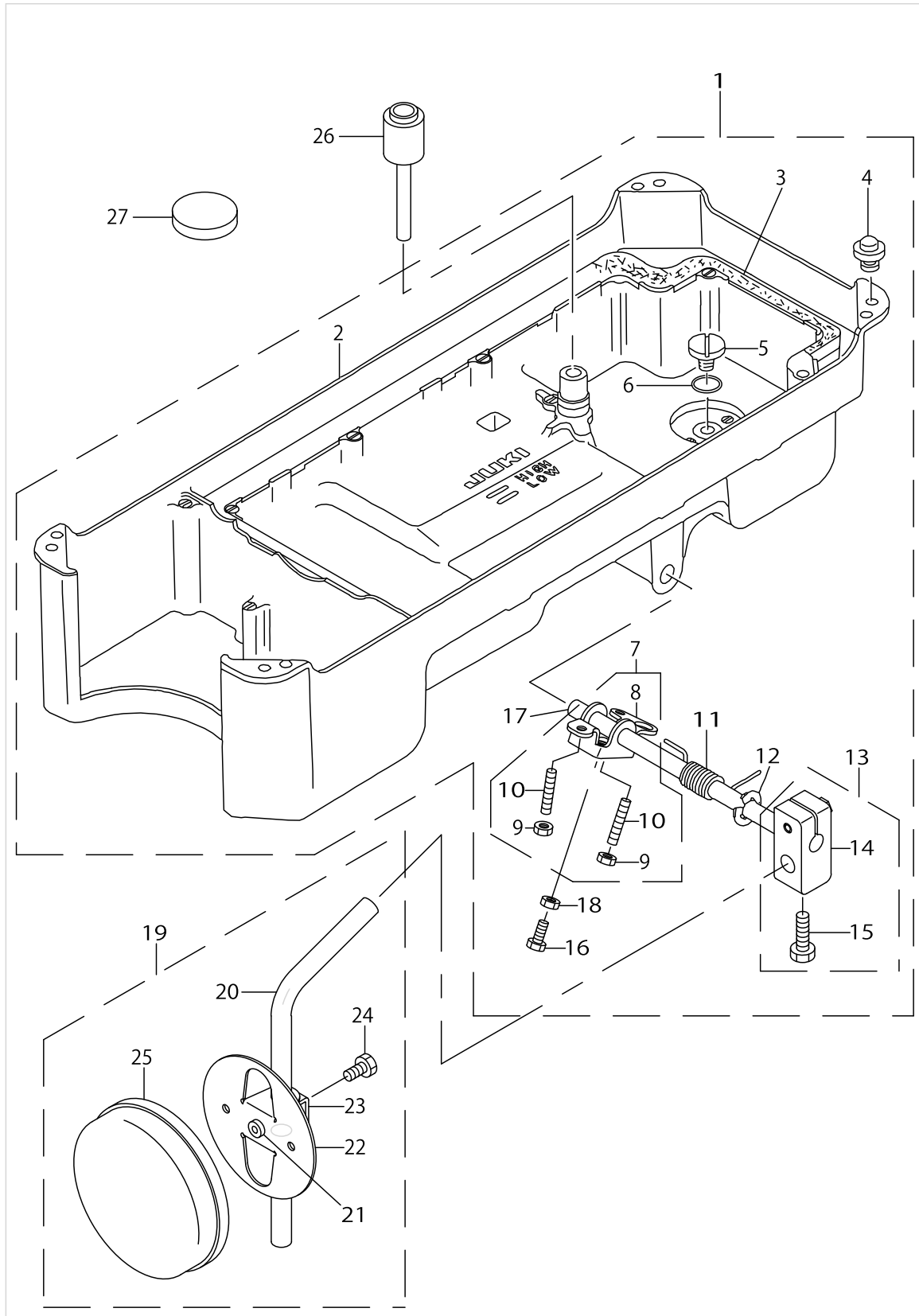
OIL LUBRICATION COMPONENTS



OIL LUBRICATION COMPONENTS

No.	Parts No.	Parts name	Remarks	Level	Cons	Qty
1	22924708	OIL SIGHT WINDOW				1
2	RO195240100	RUBBER RING				1
3	BT0600402EA	OIL TUBE				0.27
4	11307154	OIL RETURN TUBE ASM.				1
5	B3536122000	HOLDER		*		1
6	22925002	OIL REGULATOR SCREW				1
7	22924906	OIL REGULATOR SCREW SPRING				1
8	11307352	OIL WICK ASM.				1
9	22923056	OIL PUMP ASM.				1
10	22923304	PUMP BODY INSTALLING PLATE		*		1
11	22923007	PUMP BODY		*		1
12	22923700	IMPELLER		*		1
13	SE4301041SR	SCREW D=3 L=10		*		3
14	22923205	PUMP BODY COVER		*		1
15	22923809	PUMP BODY SUPPORT PLATE		*		1
16	22923403	PLUNGER		*		1
17	22923601	PLUNGER SPRING		*		1
18	22923502	PLUNGER SCREW		*		1
19	22923908	HOOK DRIVING SHAFT OILING PIPE		*		1
20	SL4030851SF	SCREW M3 L=8		*		3
21	SS6111010TP	SCREW 11/64-40 L= 9.5				1
22	SS4150915SP	SCREW 15/64-28 L=9				1
23	22924005	PUMP BODY STRUT				1
24	22924609	RUBBER JOINT				1
25	11221504	OIL TUBE JOINT				1
26	11222007	HOLDER				1
27	SS6080340SP	SCREW 1/8-44 L=2.9				1
28	SQ1150501SD	CONNECTING SCREW				1
29	11307006	OIL FELT PRESSER				1
30	CQ252000000	OIL WICK				0.3
31	22924807	PIPE HOLDER, LOWER				1
32	SS4120615SP	SCREW 3/16-28 L=6				1
33	SS4120615SP	SCREW 3/16-28 L=6				1

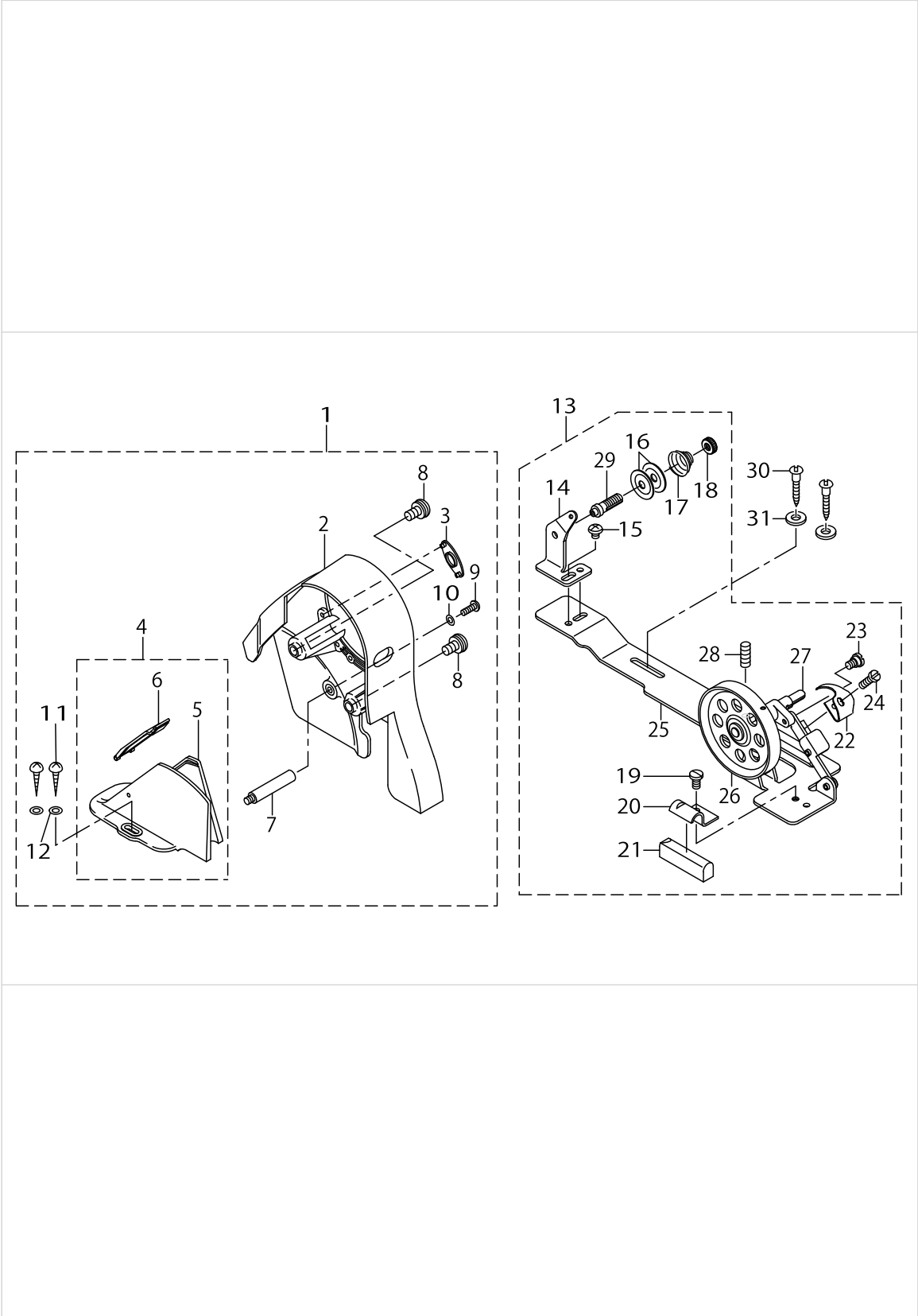
# OIL RESERVOIR COMPONENTS



OIL RESERVOIR COMPONENTS

No.	Parts No.	Parts name	Remarks	Level	Cons	Qty
1	11047057	OIL RESERVOIR ASM.				1
2	11023017	OIL RESERVOIR		*		1
3	11024700	GASKET		*		1
4	11047107	RUBBER CUSHION		*		4
5	SS6700710SH	SCREW 5/16-24 L=7		*		1
6	RO098240100	RUBBER RING		*		1
7	22932156	KNEE LIFTER ROTATION ARM ASM.		*		1
8	22932107	KNEE LIFTER ROTATION ARM		*		1
9	NM6060001SE	NUT M6		*		2
10	SM8063012TR	SCREW M6 L=30		*		2
11	22932206	SPRING		*		1
12	RE1000000K0	E-RING 10		*		1
13	22932453	BRACKET ASM.		*		1
14	22932404	BRACKET		*		1
15	22934707	BRACKET SCREW		*		2
16	SM9062563TR	SCREW M6 L=25		*		1
17	22932305	KNEE PRESS CROSS SHAFT		*		1
18	NM6060001SE	NUT M6		*		1
19	22934251	KNEE PAD PLATE ASM.				1
20	22934608	KNEE PAD UPRIGHT SHAFT		*		1
21	22934400	KNEE PAD PLATE RUBBER		*		1
22	22934202	KNEE PAD PLATE		*		1
23	22934301	KNEE PAD PLATE SUPPORT		*		1
24	SM9061203SE	SCREW M6 L=12		*		1
25	22934509	KNEE PAD PLATE COVER		*		1
26	11024304	KNEE PRESS LIFTER ROD				1
27	B8228125000	OIL RESERVOIR MAGNET				1

BELT COVER & BOBBIN WINDER COMPONENTS

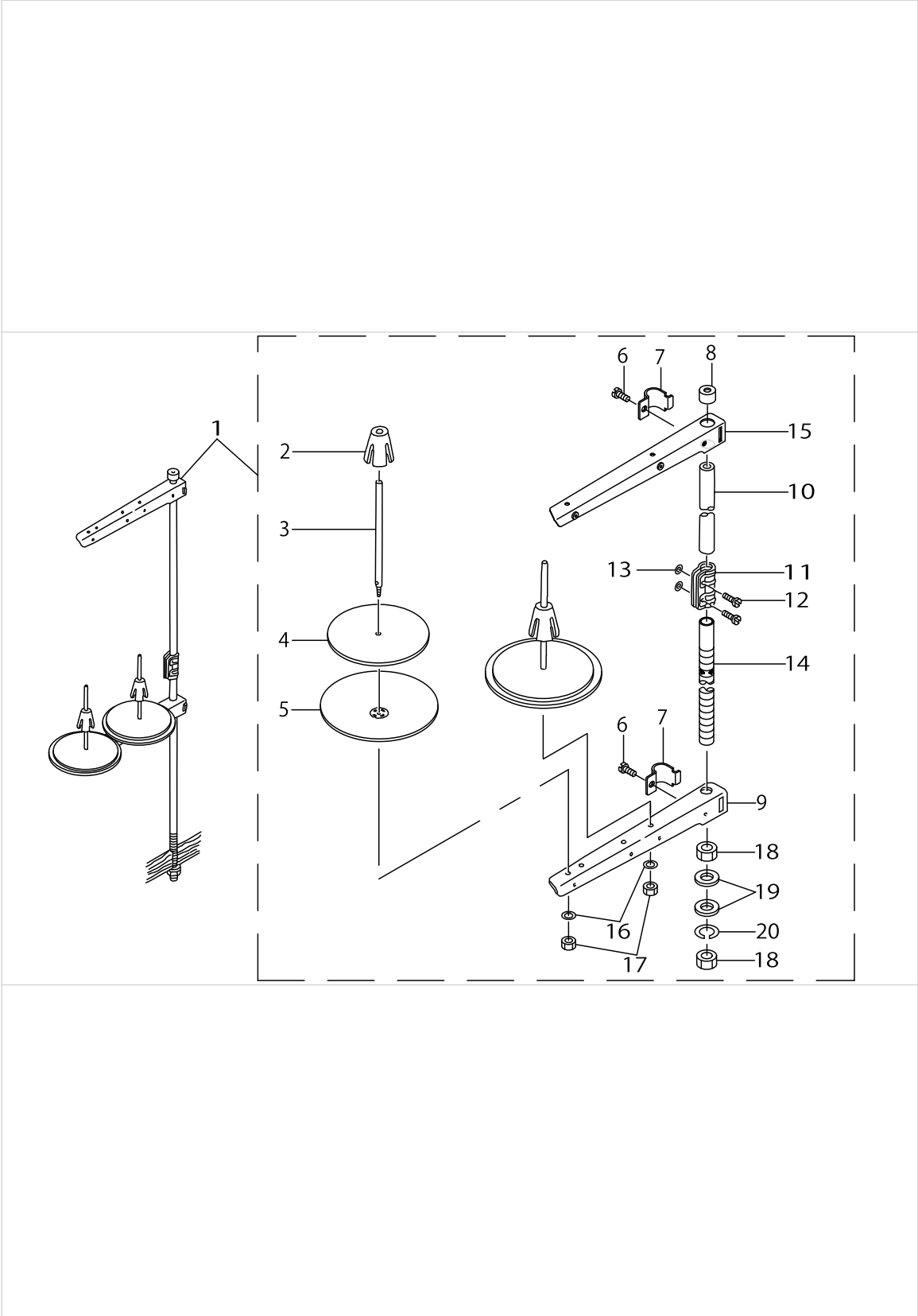


BELT COVER & BOBBIN WINDER COMPONENTS

No.	Parts No.	Parts name	Remarks	Level	Cons	Qty
1	22933451	BELT COVER ASM.				1
2	22933402	BELT COVER A		*		1
3	22933501	BELT COVER A CAP		*		1
4	22933659	BELT COVER B COMPL.		*		1
5	22933600	BELT COVER B		*		1
6	22933758	BELT COVER B LID ASM.		*		1
7	22933907	BELT COVER STRUT		*		1
8	22934004	SET SCREW		*		2
9	SS4121415SP	SCREW 3/16-28 L=14		*		1
10	WP0501016SD	WASHER 5X10.5X1		*		1
11	SK3412000SC	WOOD SCREW D=4.1 L=20		*		2
12	WP0450826SC	WASHER 4.5X10X0.8		*		2
13	22927354	BOBBIN WINDER COMPL.				1
14	22928501	THREAD TENSION POST BASE		*		1
15	SS4110515SP	SCREW 11/64-40 L=5		*		1
16	22928907	THREAD TENSION DISK		*		2
17	22929004	THREAD TENSION SPRING		*		1
18	22928808	NUT		*		1
19	SS7110350SP	SCREW 11/64-40 L=3.5		*		1
20	22928402	CONTROL RUBBER HOLDING PLATE		*		1
21	22928303	CONTROL RUBBER		*		1
22	22928105	BOBBIN PRESSER		*		1
23	SD0490261SP	HINGE SCREW D=4.9 H=2.6		*		1
24	SS7081310SP	SCREW 1/8-44 L=12.5		*		1
25	22927305	BOBBIN WINDER BASE		*		1
26	22927404	BOBBIN WINDER		*		1
27	22927602	BOBBIN WINDER SPINDLE		*		1
28	SS8110510SP	SCREW 11/64-40 L=5		*		1
29	22928709	THREAD TENSION POST		*		1
30	SK3412000SC	WOOD SCREW D=4.1 L=20				2
31	WP0450826SC	WASHER 4.5X10X0.8				2



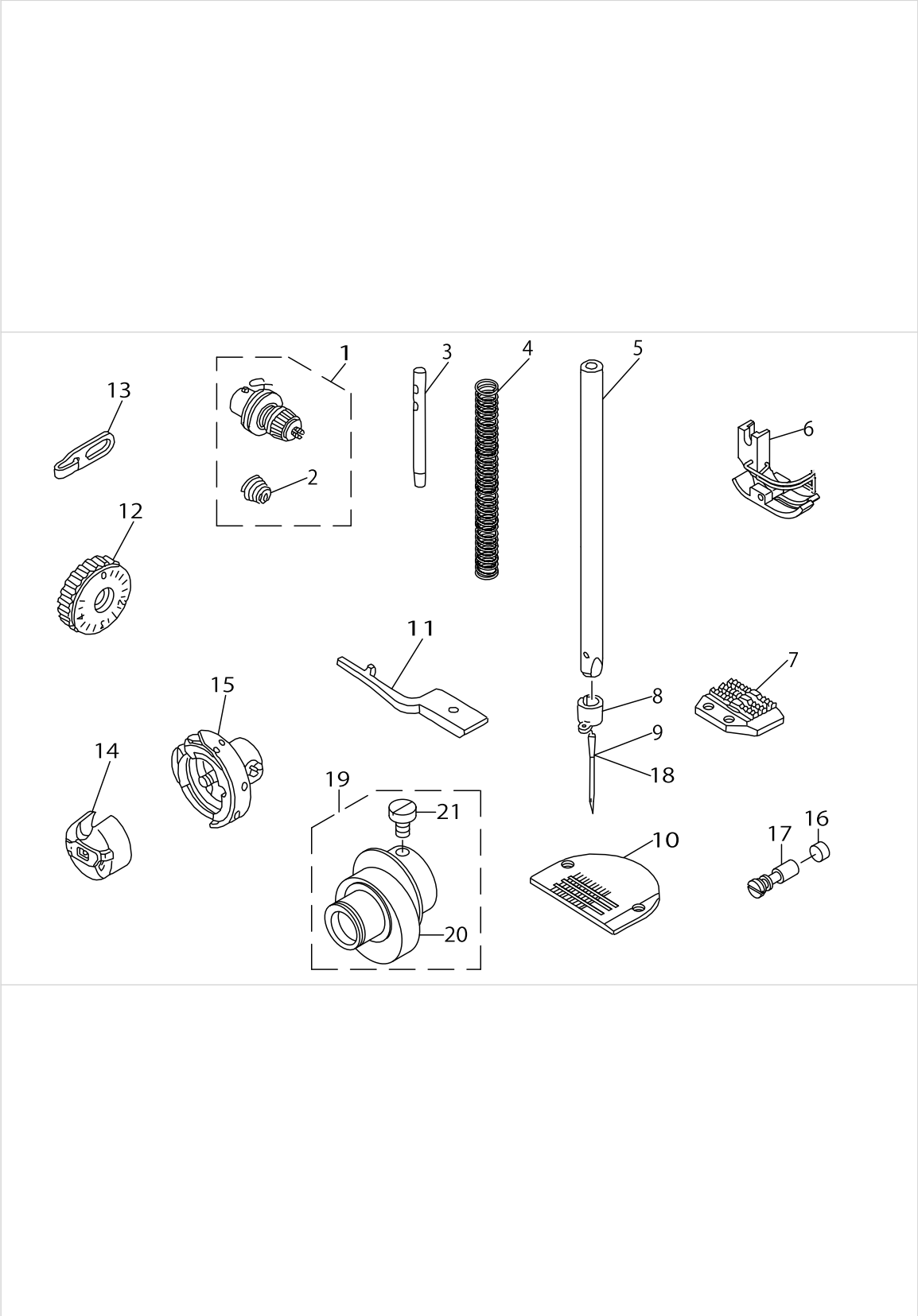
THREAD STAND COMPONENTS



THREAD STAND COMPONENTS

No.	Parts No.	Parts name	Remarks	Level	Cons	Qty
1	22930358	THREAD STAND ASM.				1
2	22931109	SPOOL RETAINER		*		2
3	22931000	SPOOL PIN		*		2
4	22930903	SPOOL REST CUSHION		*		2
5	22930804	SPOOL REST		*		2
6	SM6061610SC	SCREW M6 L=16		*		2
7	22930705	THREAD GUIDE ARM JOINT		*		2
8	22931406	SPOOL REST ROD RUBBER CAP		*		1
9	22930507	SPOOL REST ARM		*		1
10	22930408	SPOOL REST ROD, UPPER		*		1
11	22931307	SPOOL REST ROD JOINT		*		1
12	SM4051405SE	SCREW M5 L=14		*		2
13	NM6050001SE	NUT M5		*		2
14	22930309	SPOOL REST ROD, LOWER		*		1
15	22930556	THREAD STANDING ARM ASM.		*		1
16	WS0510002KN	SPRING WASHER		*		2
17	NM6050001SE	NUT M5		*		2
18	NM6160511SE	NUT M16X1.5		*		2
19	WP1612616SE	WASHER 16.1X30X2.6		*		2
20	WS1643202KR	SPRING WASHER		*		1

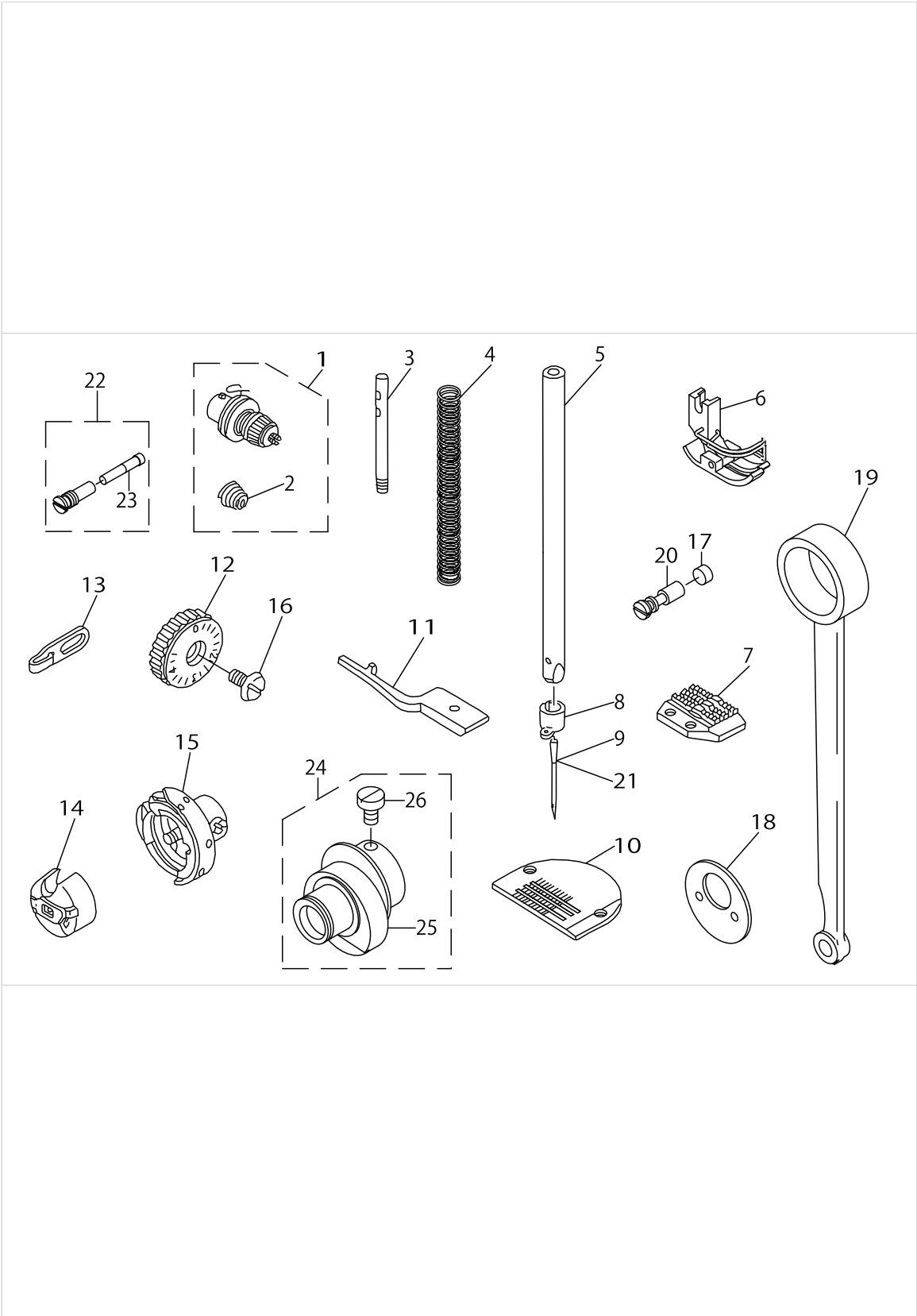
EXCLUSIVE PARTS FOR DLN-5410NH



EXCLUSIVE PARTS FOR DLN-5410NH

No.	Parts No.	Parts name	Remarks	Level	Cons	Qty
1	22962054	THREAD TENSION ASM.				1
2	22962055	THREAD TENSION SPRING		*		1
3	22958300	THREAD GUIDE PIN				1
4	B1505552000A	PRESSER SPRING				1
5	11320801	NEEDLE BAR				1
6	B1524041EB0	PRESSER FOOT ASM.				1
7	11322203	FEED DOG, H				1
8	B1418415H00	NEEDLE BAR THREAD GUIDE				1
9	MDB100B2100	NEEDLE DBX1 #21				1
10	B1109415H0B	THROAT PLATE (H)				1
11	11091709	POSITIONING FINGER				1
12	11326303	FEED DIAL				1
13	11091006	ARM THREAD GUIDE (HA)				1
14	11038759	BOBBIN CASE ASM.				1
15	11321452	LUBRICATING BOBBIN ASM.				1
16	B1226552000	ROLLER FELT				1
17	B1213552000A	OIL ADJUSTING PIN				1
18	MC200501400	NEEDLE 134 140	FOR JE			1
19	11322450	FEED ECCENTRIC CAM H ASM.				1
20	11322401	FEED ECCENTRIC CAM H		*		1
21	SS6661110SP	SCREW 1/4-40 L=11		*		2

EXCLUSIVE PARTS FOR DLN-5410NL



EXCLUSIVE PARTS FOR DLN-5410NL

No.	Parts No.	Parts name	Remarks	Level	Cons	Qty
1	22962054	THREAD TENSION ASM.				1
2	22962005	THREAD TENSION SPRING		*		1
3	B1114012000	THREAD GUIDE PIN				1
4	B1505552000A	PRESSER SPRING				1
5	11320801	NEEDLE BAR				1
6	B1524041EB0	PRESSER FOOT ASM.				1
7	11322203	FEED DOG, H				1
8	B1418415H00	NEEDLE BAR THREAD GUIDE				1
9	MDB100B2100	NEEDLE DBX1 #21				1
10	B1109415H0B	THROAT PLATE (H)				1
11	11091709	POSITIONING FINGER				1
12	11326451	FEED DIAL ASM.				1
13	11091006	ARM THREAD GUIDE (HA)				1
14	D1837415DAL	BOBBIN CASE ASM.				1
15	11321452	LUBRICATING BOBBIN ASM.				1
16	SS6121050SP	SCREW 3/16-28 L= 9.5				1
17	B1226552000	ROLLER FELT				1
18	11324209	THRUST COLLAR				1
19	11324100	ROCKER SHAFT CONNECTING ROD				1
20	B1213552000A	OIL ADJUSTING PIN				1
21	MC200501400	NEEDLE 134 140	FOR JE			1
22	11404753	OIL SEAL SCREW				1
23	11404704	OIL WICK		*		1
24	11324050	FEED DRIVE ECCENTRIC CAM ASM.				1
25	11324001	FEED DRIVE ECCENTRIC CAM		*		1
26	SS6661110SP	SCREW 1/4-40 L=11		*		2



## HOW TO MAKE USE OF THIS PARTS LIST

### 1.Explanation of codes

1)"\*"mark.....means this part is changed from the previous parts book.

As to the details of the change, refer to the "List for information of change".

2)"#01".....refer to "Note" explanation at bottom of page.

### 2.Codes on the "Qty" column

- Each numeral indicates the number of parts required.
- "0.1" and "2.5" indicate the length (in meters) of the respective parts.

3.Parentheses mean that the corresponding part is a subpart that constructs an assembly part.

4.Dotted lines on the Figures indicate assembly parts.

### 1."注記"欄の記号説明

1) "\*"印.....前回のパーツブックに比較して今回変更された部品を意味します。

変更内容は、"変更情報リスト"を参照してください。

2) "#01".....ページ下の"注記"の説明を参照してください。

2.数量欄の数字は、個数を表し、0.1、2.5等の数値は、長さ（単位メートル）を表します。

3.数量欄の（ ）は、組部品を構成している子部品であることを意味します。

4.イラストページの-----枠は、組構成であることを意味します。



# NUMERICAL INDEX OF PARTS

PART NO	PAGE	REF NO.	PART NO	PAGE	REF NO.	PART NO	PAGE	REF NO.
11002409	6	20	11302353	6	16	22901250	2	42
11002508	6	21	11302411	12	12	22901300	2	44
11002904	6	28	11302502	12	40	22901805	4	56
11003308	2	10	11302619	14	67	22901904	4	54
11004207	8	24	11303161	12	26	22903009	6	31
11005204	6	7	11303328	12	4	22903108	6	15
11006350	10	11	11303567	16	25	22903157	6	10
11006905	10	12	11303807	16	19	22903900	6	32
11015807	8	25	11303906	16	24	22904155	6	23
11015906	8	37	11304003	16	2	22905004	8	21
11017357	6	2	11304151	16	28	22905103	8	22
11023017	20	2	11304201	16	13	22906457	8	4
11024304	20	26	11304300	16	15	22907406	10	26
11024700	20	3	11304409	16	1	22907505	10	23
11038759	26	14	11305000	12	17	22907554	10	22
11039062	6	5	11305653	10	15	22907604	10	24
11039070	6	4	11305703	10	37	22907703	10	25
11047057	20	1	11305901	10	16	22907802	10	1
11047107	20	4	11306107	10	14	22908552	10	4
11071362	6	29	11307006	18	29	22908909	10	38
11091006	26	13	11307154	18	4	22910103	6	34
11091006	28	13	11307352	18	8	22910608	12	25
11091709	26	11	11320801	26	5	22910707	12	24
11091709	28	11	11320801	28	5	22910806	12	27
11202306	6	27	11321452	26	15	22910905	12	23
11205309	10	20	11321452	28	15	22911002	12	37
11205408	10	19	11322203	26	7	22911101	12	13
11210903	16	10	11322203	28	7	22911705	12	5
11211000	16	4	11322401	26	20	22911804	12	7
11214509	16	22	11322450	26	19	22912000	12	9
11221504	18	25	11324001	28	25	22912109	12	8
11222007	18	26	11324050	28	24	22912752	14	62
11300308	2	37	11324100	28	19	22912802	14	61
11300407	2	3	11324209	28	18	22912901	12	36
11300506	2	2	11325750	2	1	22913008	14	48
11300605	2	4	11326204	12	10	22915003	12	15
11300902	6	25	11326303	26	12	22915151	12	42
11301009	8	2	11326451	28	12	22915201	12	45
11301108	8	3	11385127	12	6	22915359	14	65
11301355	10	27	11404704	28	23	22916001	8	29
11301405	10	28	11404753	28	22	22916100	8	32
11301603	10	9	22900401	2	9	22916407	8	30
11301652	10	7	22900609	2	21	22916506	8	38
11301702	10	5	22901003	2	46	22916555	8	36
11302304	6	18	22901201	2	43	22917058	8	34

## NUMERICAL INDEX OF PARTS

PART NO	PAGE	REF NO.	PART NO	PAGE	REF NO.	PART NO	PAGE	REF NO.
22917157	8	27	22930556	24	15	22971105	12	1
22919203	6	3	22930705	24	7	22971204	12	2
22920508	2	19	22930804	24	5	22971550	12	19
22920607	2	38	22930903	24	4	22971857	12	34
22920706	2	18	22931000	24	3	22972608	2	47
22921001	2	20	22931109	24	2	40017805	10	31
22921209	2	30	22931307	24	11	40060989	10	32
22921308	2	25	22931406	24	8	40081220	12	11
22921407	2	26	22932107	20	8	B1109415H0B	26	10
22921506	2	29	22932156	20	7	B1109415H0B	28	10
22921605	2	31	22932206	20	11	B1114012000	28	3
22921704	2	27	22932305	20	17	B1213552000A	26	17
22921803	2	28	22932404	20	14	B1213552000A	28	20
22923007	18	11	22932453	20	13	B1215552000	6	26
22923056	18	9	22932503	2	14	B1226552000	26	16
22923205	18	14	22932552	2	13	B1226552000	28	17
22923304	18	10	22932602	2	15	B13050120A0	8	12
22923403	18	16	22932701	2	16	B13061550A0	8	14
22923502	18	18	22932909	8	26	B13061550B0	8	11
22923601	18	17	22933402	22	2	B13061550C0	8	10
22923700	18	12	22933451	22	1	B13071550A0	8	17
22923809	18	15	22933501	22	3	B13071550B0	8	16
22923908	18	19	22933600	22	5	B13081550A0	8	19
22924005	18	23	22933659	22	4	B1408552000	6	8
22924609	18	24	22933758	22	6	B1412352B00	16	5
22924708	18	1	22933907	22	7	B1414226000	8	6
22924807	18	31	22934004	22	8	B1418415H00	26	8
22924906	18	7	22934202	20	22	B1418415H00	28	8
22925002	18	6	22934251	20	19	B1418552A00	8	8
22927305	22	25	22934301	20	23	B1505552000A	26	4
22927354	22	13	22934400	20	21	B1505552000A	28	4
22927404	22	26	22934509	20	25	B1521555000	10	2
22927602	22	27	22934608	20	20	B1524041EB0	26	6
22928105	22	22	22934707	20	15	B1524041EB0	28	6
22928303	22	21	22940654	14	52	B1636581C00	14	49
22928402	22	20	22940803	12	30	B18304150A0	8	23
22928501	22	14	22945307	2	32	B18370120A0	8	33
22928709	22	29	22945356	2	24	B1903552000	6	9
22928808	22	18	22958300	26	3	B1905541B00	6	6
22928907	22	16	22962005	28	2	B2906415000	16	6
22929004	22	17	22962054	26	1	B31334150A0	4	48
22930309	24	14	22962054	28	1	B3136415000	4	49
22930358	24	1	22962055	26	2	B3536122000	18	5
22930408	24	10	22967202	14	60	B8228125000	20	27
22930507	24	9	22970602	12	35	BT0600402EA	18	3

NUMERICAL INDEX OF PARTS

PART NO	PAGE	REF NO.	PART NO	PAGE	REF NO.	PART NO	PAGE	REF NO.
CM300200001	4	55	SE4301041SR	18	13	SS7091110TP	10	33
CM301300001	4	57	SK3412000SC	22	30	SS7110350SP	22	19
CQ252000000	18	30	SL4030851SF	18	20	SS7110740TP	14	50
CS064061ASP	10	35	SM4051405SE	24	12	SS7111120SP	14	66
CS120101BSH	16	8	SM6061610SC	24	6	SS7121410SP	16	29
CS147121ASH	12	57	SM8063012TR	20	10	SS7121410TP	12	53
CS147121ASH	14	57	SM9061203SE	20	24	SS7121410TP	14	53
D1524415BBC	10	34	SM9062563TR	20	16	SS7121610SP	12	43
D1609415B00	12	31	SQ1150501SD	18	28	SS7620750SP	14	69
D1837415DAL	28	14	SS1120710SP	2	5	SS7681650TP	6	14
MC200500900	8	39	SS2110920TP	2	35	SS8090670SP	2	33
MC200501400	26	18	SS4080620TP	12	32	SS8110310SP	16	26
MC200501400	28	21	SS4090615SP	6	19	SS8110410TP	8	35
MDB100B1400	8	9	SS4110515SP	22	15	SS8110510SP	22	28
MDB100B2100	26	9	SS4110915TP	8	31	SS8120740SP	16	21
MDB100B2100	28	9	SS4120615SP	2	23	SS8150710TP	2	34
NM6050001SE	24	17	SS4120615SP	18	33	SS8150710TP	12	28
NM6060001SE	20	18	SS4120915SP	2	8	SS8151150TP	6	1
NM6160511SE	24	18	SS4120915SP	8	40	SS8151550SP	6	30
NS6090310SP	4	53	SS4121015SP	2	41	SS8660410SP	16	9
NS6150310SP	16	14	SS4121415SP	22	9	SS8660610TP	6	24
NS6150430SP	16	17	SS4150915SP	18	22	SS8660610TP	10	30
NS6680410SP	12	39	SS6060210SP	2	45	SS8660610TP	12	58
RC0150001KP	12	51	SS6080340SP	18	27	SS8660610TP	14	58
RC0150001KP	14	51	SS6090560TP	12	3	SS8660810TP	8	20
RC1850001KP	6	22	SS6090620TP	12	38	SS8661030SP	14	63
RE0300000K0	10	29	SS6090660TP	16	7	SS8661040TP	14	64
RE0500000K0	10	13	SS6090670TP	8	5	SS8681130SP	12	41
RE0500000K0	12	21	SS6090810TP	16	23	SS8681650TP	6	11
RE1000000K0	20	12	SS6110420TP	8	28	SS9661120CP	14	55
RO029180100	6	33	SS6110610TP	2	39	TA0850604R0	2	50
RO037180100	10	3	SS6110640SP	16	27	TA0850604R0	4	50
RO044240100	6	13	SS6111010TP	18	21	TA1250406R0	2	40
RO078190100	14	59	SS6121050SP	28	16	TA1250504R0	2	51
RO092270200	12	16	SS6121220TP	16	3	TA1250504R0	4	51
RO098240100	20	6	SS6121610SP	16	20	TA1250705R0	2	7
RO195240100	18	2	SS6121860SP	14	70	TA1250804R0	8	1
SB309000400	16	18	SS6151220SP	14	56	TA2000502R0	2	11
SD0380552SL	2	17	SS6661110SP	6	17	TA2101002R0	2	52
SD0490261SP	22	23	SS6661110SP	26	21	TA2101002R0	4	52
SD0600322SD	10	18	SS6661110SP	28	26	WP0450826SC	22	31
SD0640261SP	10	6	SS6700710SH	20	5	WP0480856SP	14	54
SD0720331SP	10	21	SS7080510TP	8	7	WP0501016SD	22	10
SD0790501SP	16	12	SS7081310SP	22	24	WP0621016SD	16	16
SD1000801SH	12	44	SS7090620TP	10	36	WP0650876SD	10	8

## NUMERICAL INDEX OF PARTS

PART NO	PAGE	REF NO.
WP0702026SP	12	22
WP1612616SE	24	19
WS0510002KN	24	16
WS1643202KR	24	20
WZ1250300K0	14	68