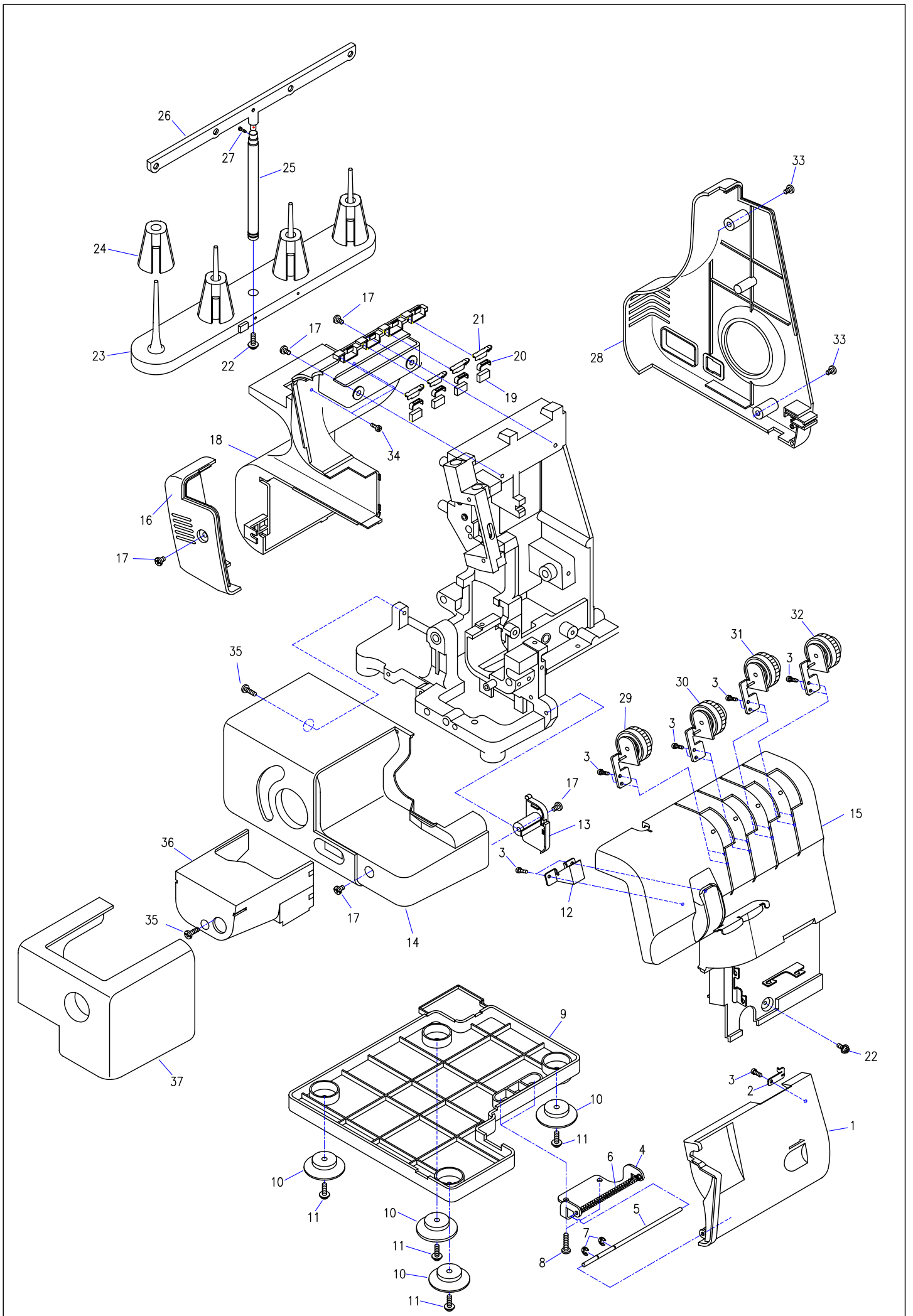


PARTS LIST



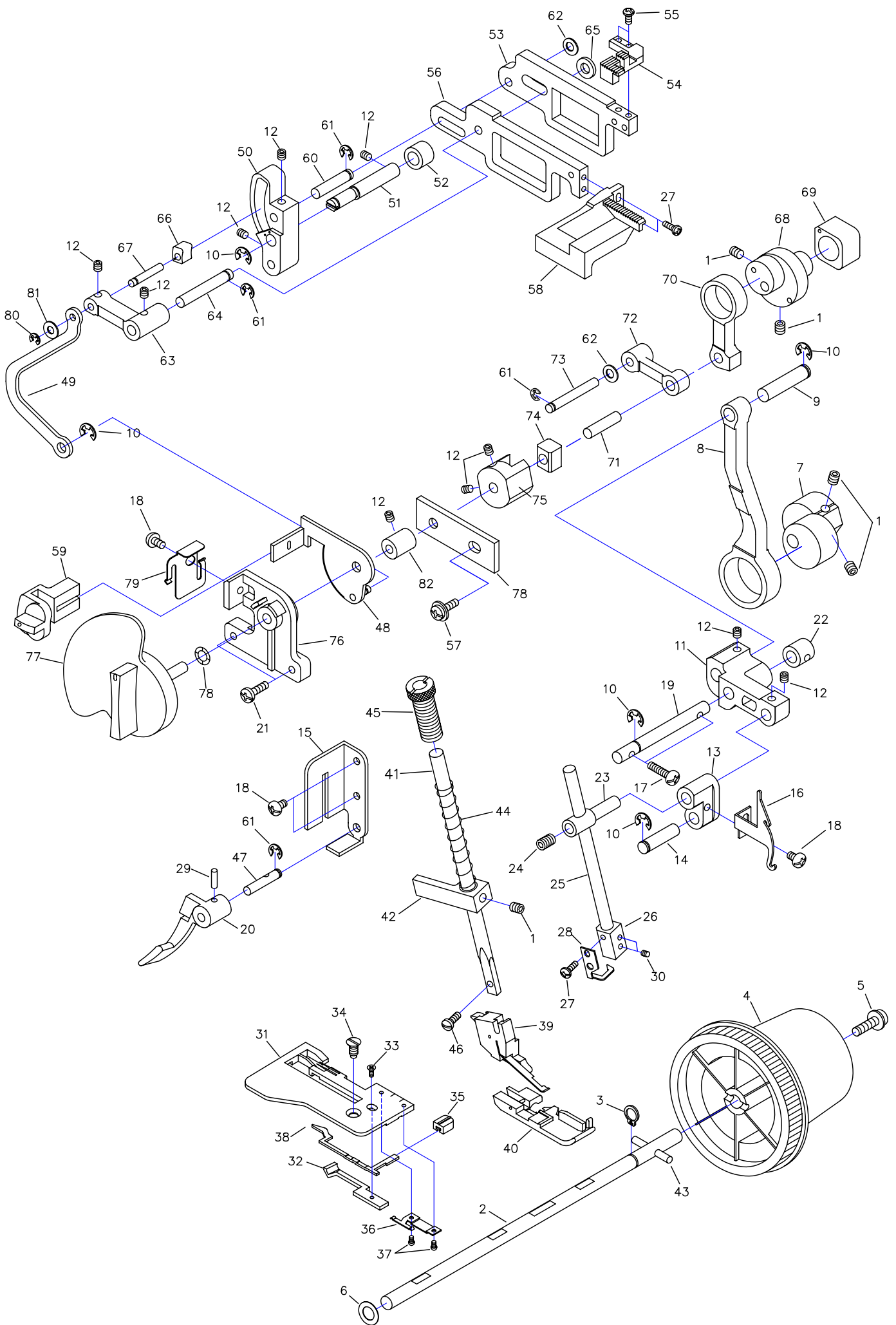
CONTENTS

1. PRINCIPAL PARTS.....	2
2. NEEDLE BAR, FEED BAR AND PRESSER HOLDER.....	4
3. KNIFE AND LOOPER.....	6
4. LAMP, MOTOR AND ACCESSORY.....	8



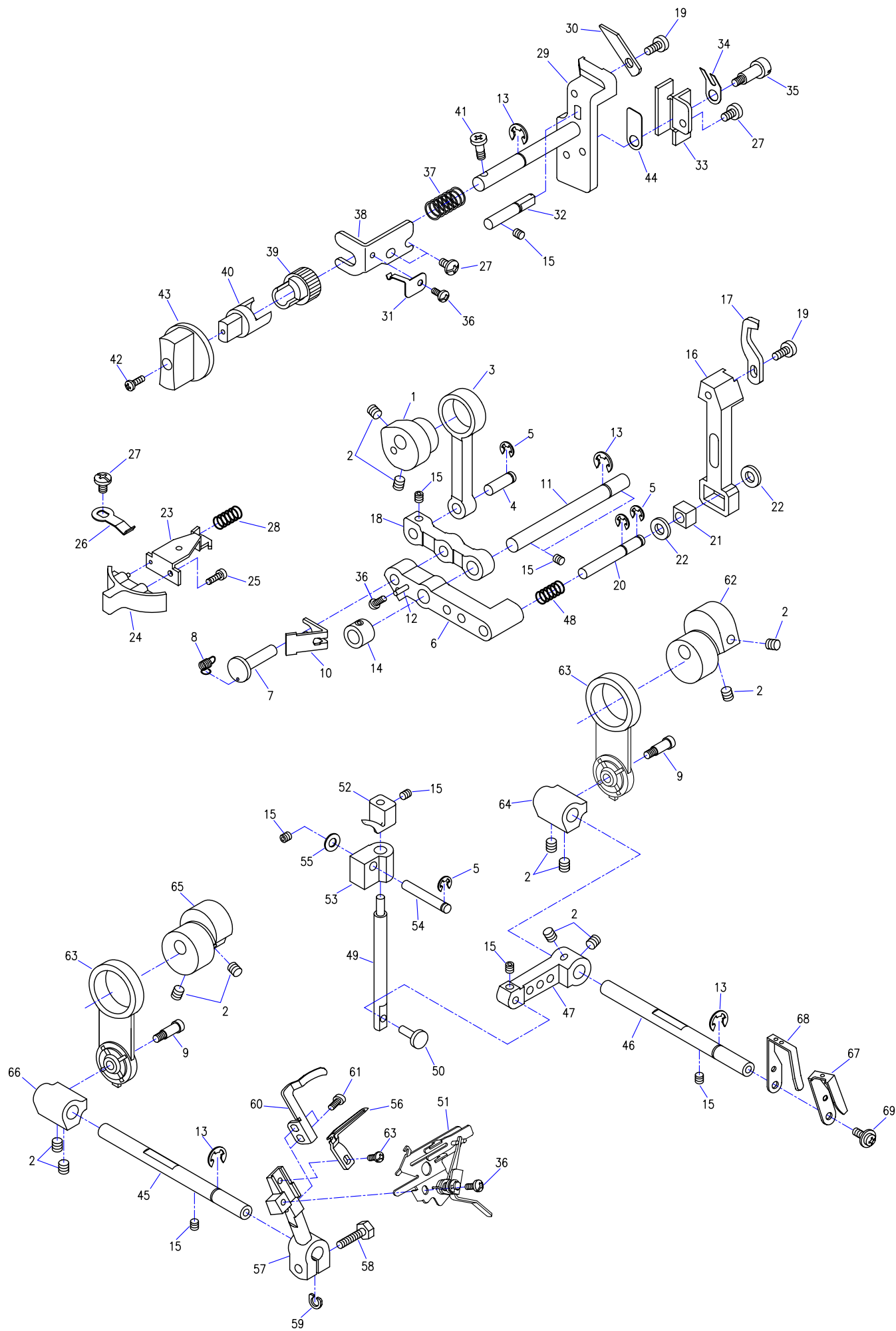
(2) NEEDLE BAR, FEED BAR AND PRESSER HOLDER

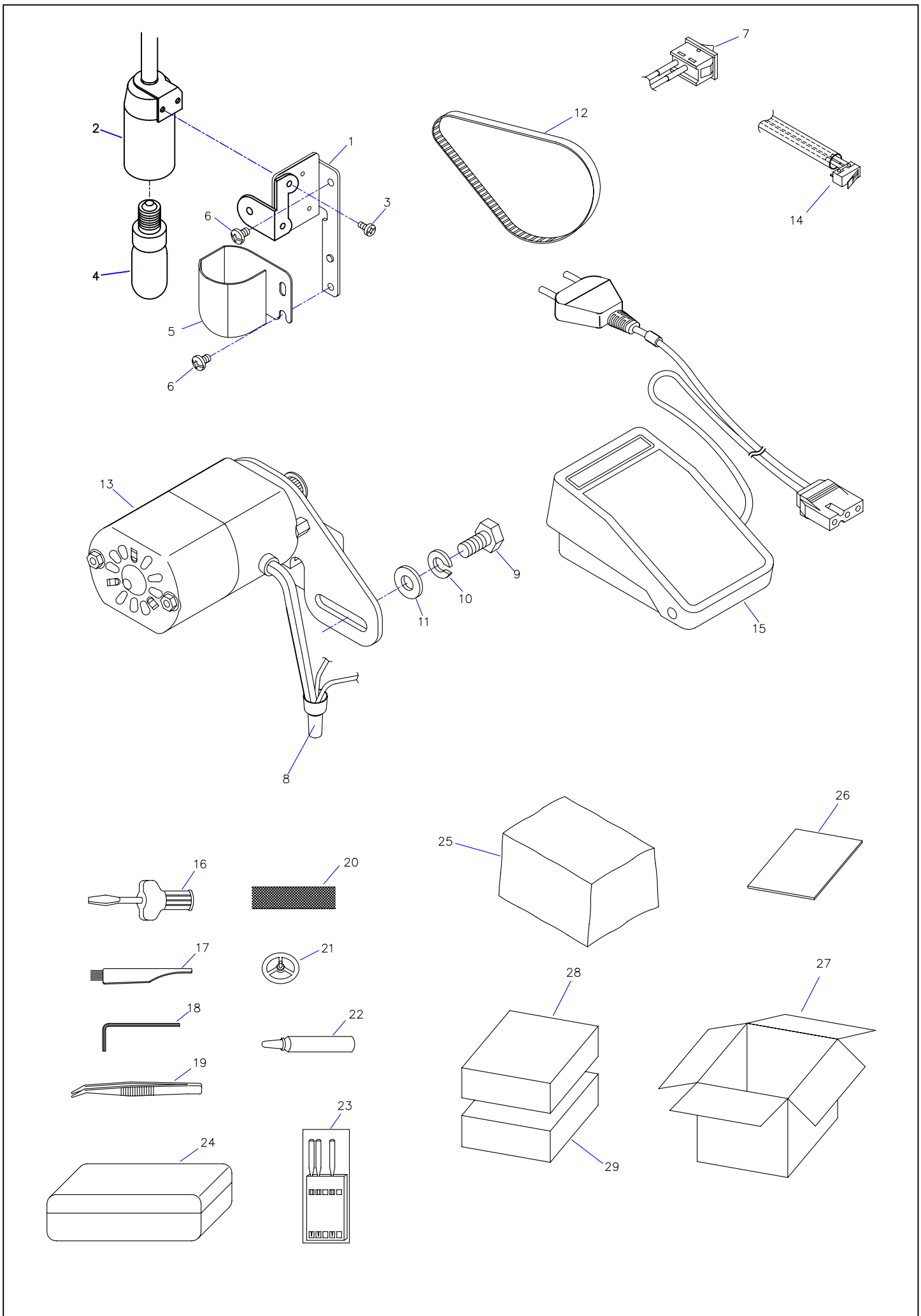
No.	PARTS No.	PARTS NAME	No.	PARTS No.	PARTS NAME
1	JR-TG119	Set screw M5*5	51	JR-TC113	Feed bar lever shaft
2	JR-TC101	Driving shaft assembly	52	JR-TC127	Collar
3	JR-TH105	Stop ring	53	JR-TE123	Main feed bar
4	JR-TD108-2	Timing pulley	54	JR-TB104	Main feed dog
5	JR-TG114	Set screw M5*14	55	JR-TG104	Set screw M3*5
6	JR-TI112	Washer	56	JR-TE124	Differential feed bar
7	JR-TE110	Needle bar eccentric wheel	57	JR-TG112	Set screw M4*8
8	JR-TE109	Needle bar rod	58	JR-TB122	Differential feed dog
9	JR-TC110	Rod shaft	59	JR-TD125	Differential control lever
10	JR-TH103	Stop ring	60	JR-TC115	Differential link shaft
11	JR-TE108	Needle bar driving lever	61	JR-TH102	Stop ring
12	JR-TG118	Set screw M4*4	62	JR-TI104	Washer
13	JR-TE107	Needle bar connecting link	63	JR-TE129	Differential adjusting link
14	JR-TC111	Needle bar rod shaft B	64	JR-TC114	Horizontal lever shaft
15	JR-TF119	Presser bar guide plate	65	JR-TI106	Washer
16	JR-TF104	Thread take-up	66	JR-TE128	Differential feed adjusting block
17	JR-TG133	Set screw M4*15	67	JR-TC118	Differential adjusting link shaft
18	JR-TG108	Set screw M4*6	68	JR-TE125	Feed eccentric wheel
19	JR-TC109	Needle bar shaft	69	JR-TE126	Vertical feed block
20	JR-TD205	Presser lifter lever	70	JR-TE131	Feed link
21	JR-TG110	Set screw M4*12	71	JR-TC143	Feed link shaft
22	JR-TE150	Collar	72	JR-TE144	Feed bar link
23	JR-TC108	Needle bar connecting stud	73	JR-TC115	Differential link shaft
24	JR-TG120	Set screw M6*6	74	JR-TE133	Feed adjusting block
25	JR-TC107	Needle bar	75	JR-TE132	Feed adjusting lever
26	JR-TE141	Needle clamp	76	JR-TA102	Feed base
27	JR-TG106	Set screw M3*8	77	JR-TD124	Feed dial
28	JR-TF142	Needle bar thread guide	78	JR-TF198	Set plate
29	JR-TG131	Spring pin 2.5*10	79	JR-TF137	Dial plate spring
30	JR-TG124	Set screw M3*3	80	JR-TH101	Stop ring
31	JR-TB103	Needle plate	81	JR-TI103	Washer
32	JR-TF132	Fixed needle guide	82	JR-TE148	Collar
33	JR-TG102	Set screw M2*3			
34	JR-TG122	Set screw SM4.37			
35	JR-TF133-1	Stitch finger lever			
36	JR-TF134	Stitch presser plate			
37	JR-TG101	Set screw M2*3			
38	JR-TF133	Stitch tongue			
39	JR-TB101	Presser holder assembly			
40	JR-TB102	Presser foot assembly			
41	JR-TC112	Presser bar			
42	JR-TE111	Presser bar guide bracket			
43	JR-TG129	Spring pin 4*25			
44	JR-TJ111	Presser bar spring			
45	JR-TC134	Presser adjusting screw			
46	JR-TG121	Set screw SM3.57*8			
47	JR-TC145	Presser lifter shaft N			
48	JR-TF136	Differential adjusting lever assembly			
49	JR-TF138	Differential adjusting link			
50	JR-TE127	Feed bar lever			



(3) KNIFE AND LOOPER

No.	PARTS No.	PARTS NAME	No.	PARTS No.	PARTS NAME
1	JR-TE134	Upper knife eccentric wheel	51	JR-TF162	Underlooper thread guide assembly
2	JR-TG119	Set screw M5*5	52	JR-TK101	Overlooper
3	JR-TE135	Upper knife link A	53	JR-TE119	Overlooper shaft guide
4	JR-TC121	Upper knife link shaft	54	JR-TC105	Overlooper shaft guide shaft
5	JR-TH102	Stop ring	55	JR-TI105	Washer
6	JR-TE137	Upper knife arm assembly	56	JR-TK102	Underlooper
7	JR-TC120	Connect pin	57	JR-TL101	Underlooper lever
8	JR-TJ106	Connect pin spring	58	JR-TG123	Set screw M5*16
9	JR-TC131	Looper rod stud shaft	59	JR-TI114	Washer
10	JR-TF131	Cancel plate	60	JR-TF141	Movable needle guard
11	JR-TC119	Upper knife fulcrum shaft	61	JR-TG104	Set screw M3*6
12	JR-TG128	Spring pin 2.5*14	62	JR-TE116	Overlooper rod eccentric wheel
13	JR-TH104	Stop ring	63	JR-TEA112	Looper rod assembly
14	JR-TC127	Collar	64	JR-TE117	Overlooper driving lever
15	JR-TG118	Set screw M4*4	65	JR-TE122	Underlooper rod eccentric wheel
16	JR-TE138	Upper knife holder	66	JR-TE121	Underlooper driving lever
17	JR-TF123	Upper blade	67	JR-TF140	Looper thread take-up B
18	JR-TE136	Upper knife arm assembly B	68	JR-TF139	Looper thread take-up A
19	JR-TG109	Set screw	69	JR-TG112	Set screw M4*8
20	JR-TC122	Upper knife arm shaft			
21	JR-TE139	Upper blade block			
22	JR-TI106	Washer			
23	JR-TF129	Lever plate assembly			
24	JR-TD126	Blade lever			
25	JR-TG116	Screw M3P1.06*8			
26	JR-TF130	Lever plate spring			
27	JR-TG108	Set screw M4*6			
28	JR-TJ110	Lever spring			
29	JR-TB107	Lower blade holder			
30	JR-TF122	Lower blade			
31	JR-TF128	Plate spring			
32	JR-TC123	Lower blade guide shaft			
33	JR-TF124	Upper knife holder guide			
34	JR-TF126	Upper blade holder plate spring			
35	JR-TC129	Upper knife holder guide shaft			
36	JR-TG105	Set screw M3*6			
37	JR-TJ105	Lower blade spring			
38	JR-TF127	Dial plate			
39	JR-TD129	Blade control dial plate			
40	JR-TD128	Blade control dial assembly			
41	JR-TG130	Blade control shaft			
42	JR-TG117	Screw M3P1.06*10			
43	JR-TD127	Stitch width lever			
44	JR-TF125	Upper knife presser plate			
45	JR-TC106	UL lever shaft			
46	JR-TC102	OL lever shaft			
47	JR-TE118	Overlooper shaft lever			
48	JR-TJ104	Upper knife holder spring			
49	JR-TC104	Overlooper shaft			
50	JR-TC103	Overlooper lower shaft			







HSO-747

高林股份有限公司 KAULIN MFG. CO., LTD.

The specification and/or appearances of the equipment described in this parts list are subject to change because of modification without previous notice.