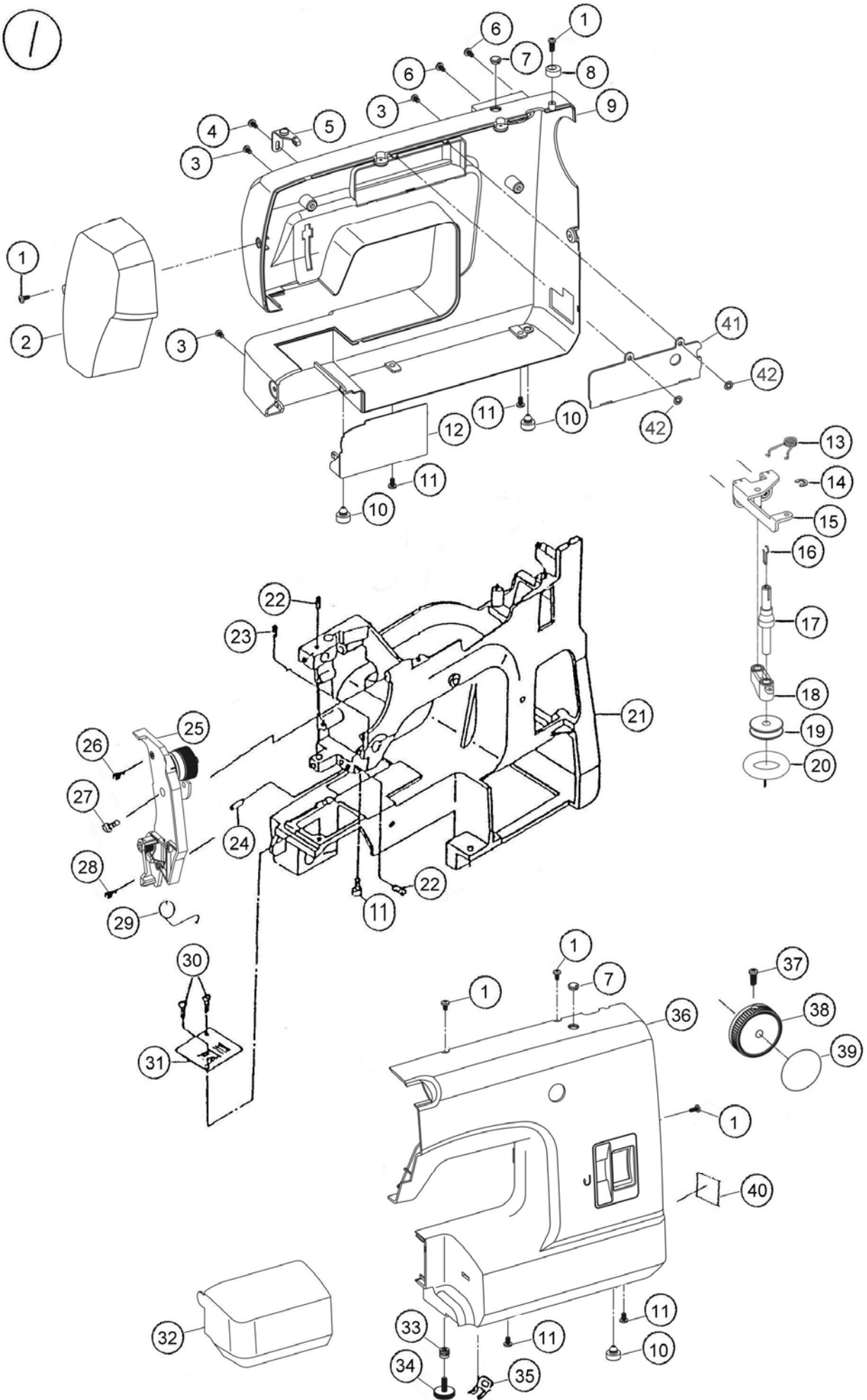


PARTS LIST

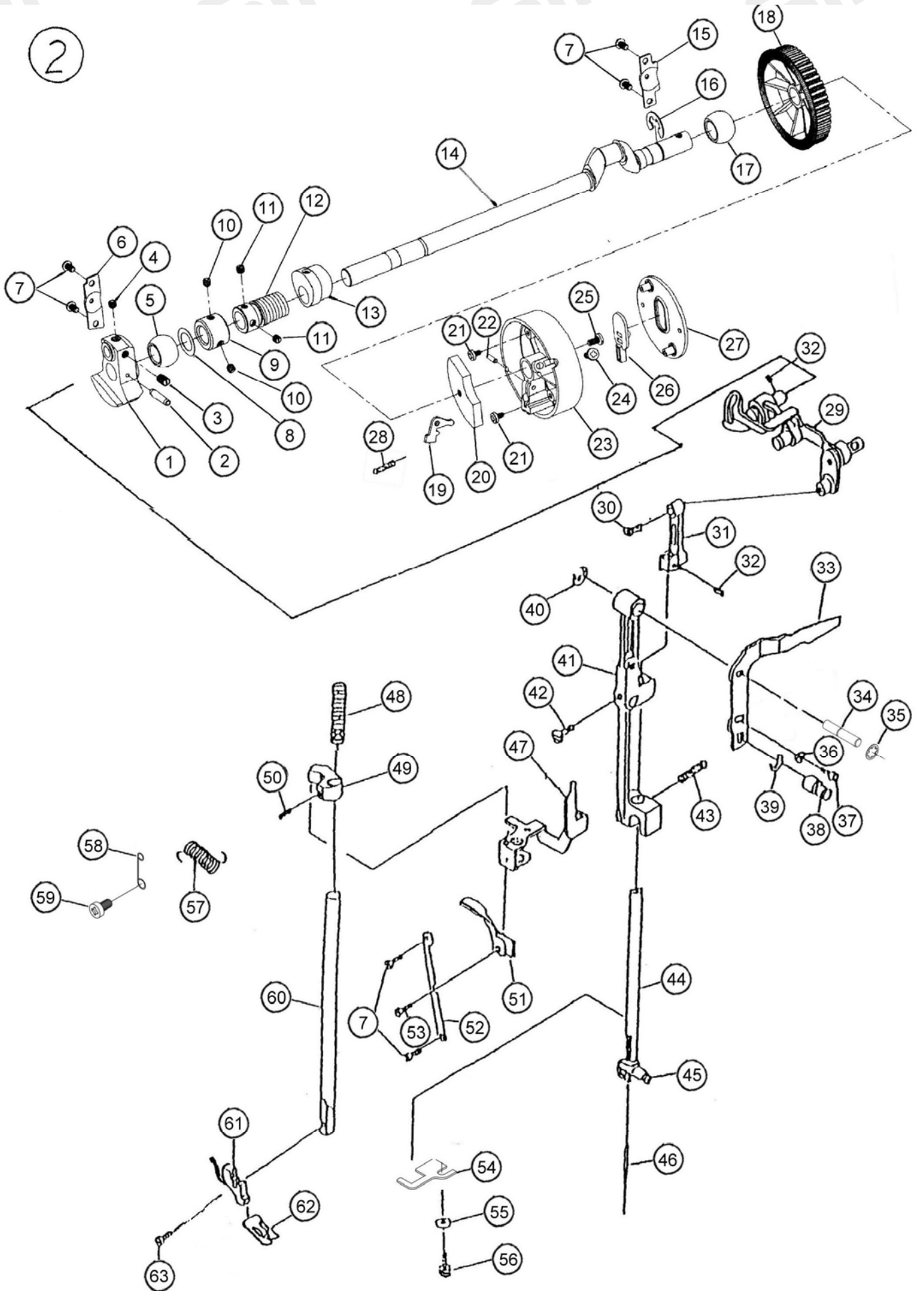


1



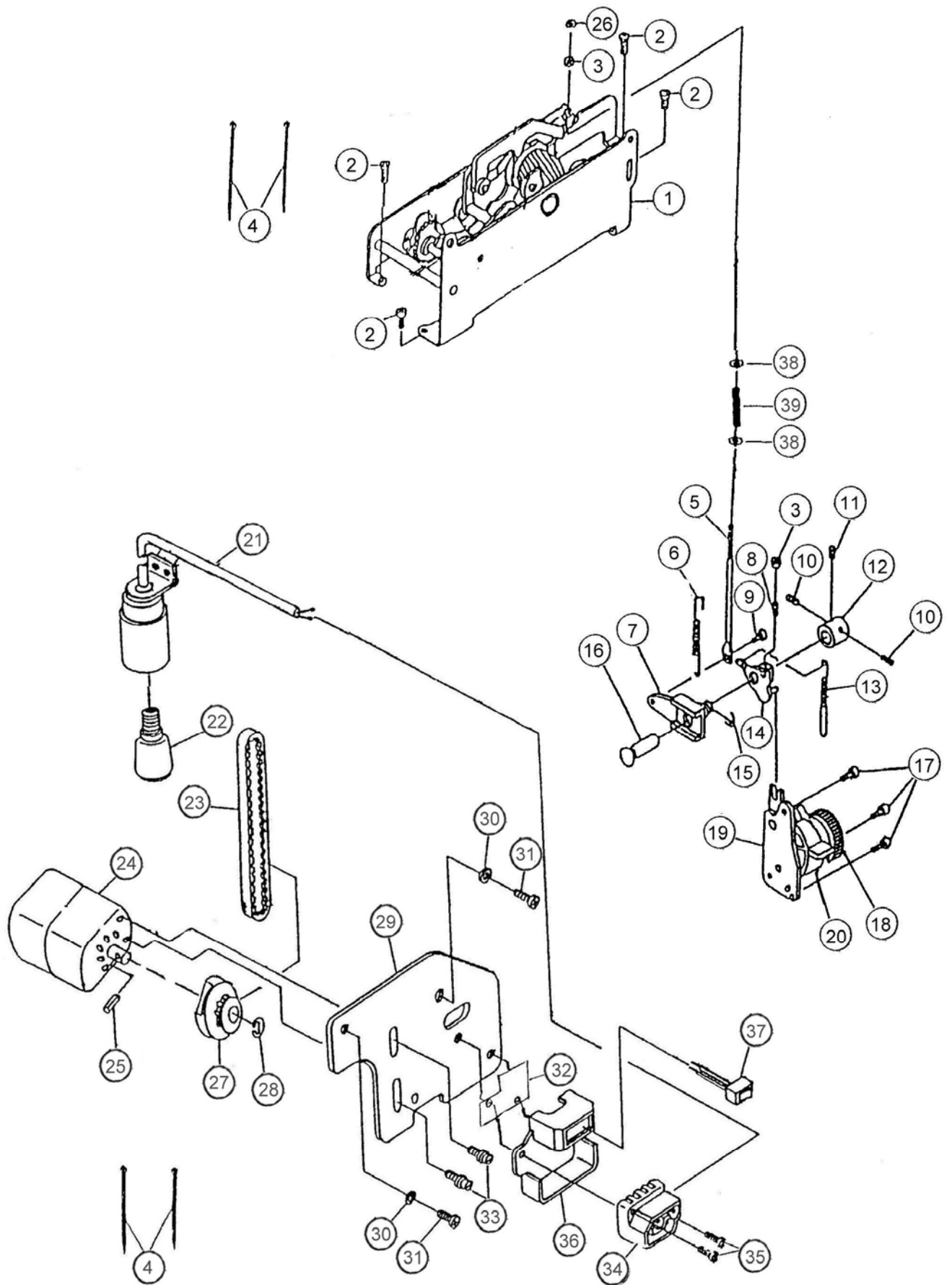
ref	no.	part no.	name of parts
01		SP-000011222	SET SCREW
02		SP-220118000	FACE PLATE
03		SP-301008000	SET SCREW
04		SP-000011211	SET SCREW
05		SP-220501004	THREADER BASE COMP.
06		SP-000016032	SCREW
07		SP-250125058	ADJUSTING HOLE PLUG
08		SP-220062008	BOBBIN STOPER
09		SP-220055008	REAR COVER
10		SP-250020007	RUBBER
11		SP-250087002	SET SCREW
12		SP-220037004	REAR COVER
13		SP-250045008	BOBBIN WINDER SPRING C
14		SP-000000309	SNAP RING 5D
15		SP-220015006	WINDER FIXED PLATE
16		SP-301022000	BOBBIN WINDER SHAFT PIN
17		SP-220014005	BOBBIN CRANK
18		SP-220013004	BOBBIN WINDER
19		SP-353029008	COIL
20		SP-353030002	RUBBER RING
21		SP-250507003	250 ARM/BED
22		SP-301046000	SET SCREW
23		SP-301087003	SET SCREW
24		SP-250013007	LEAD SHAFT
25		SP-220617004	UPPER TENSION COMP.
26		SP-355026001	SET SCREW
27		SP-301008000	SET SCREW
28		SP-260035006	SET SCREW
29		SP-230008007	TENSION CHECK SPRING
30		SP-301261003	SET SCREW
31		SP-250006007	NEEDLE PLATE
32		SP-220036003	EXTENSION TABLE PLATE
33		SP-220060006	NUT
34		SP-250023103	ADJUSTING FOOT
35		SP-353049004	PANEL FIXATION
36		SP-220120108	FRONT COVER (DRAWING)
37		SP-370048006	HINGED SCREW
38		SP-260027038	SELECTOR DIAL
39		SP-220095309	SELECT DIAL INDICATED PLATE
40		SP-220163000	RATING PLATE
41		SP-220061007	HANDLE COVER
42		SP-000012201	SNAP RING

2



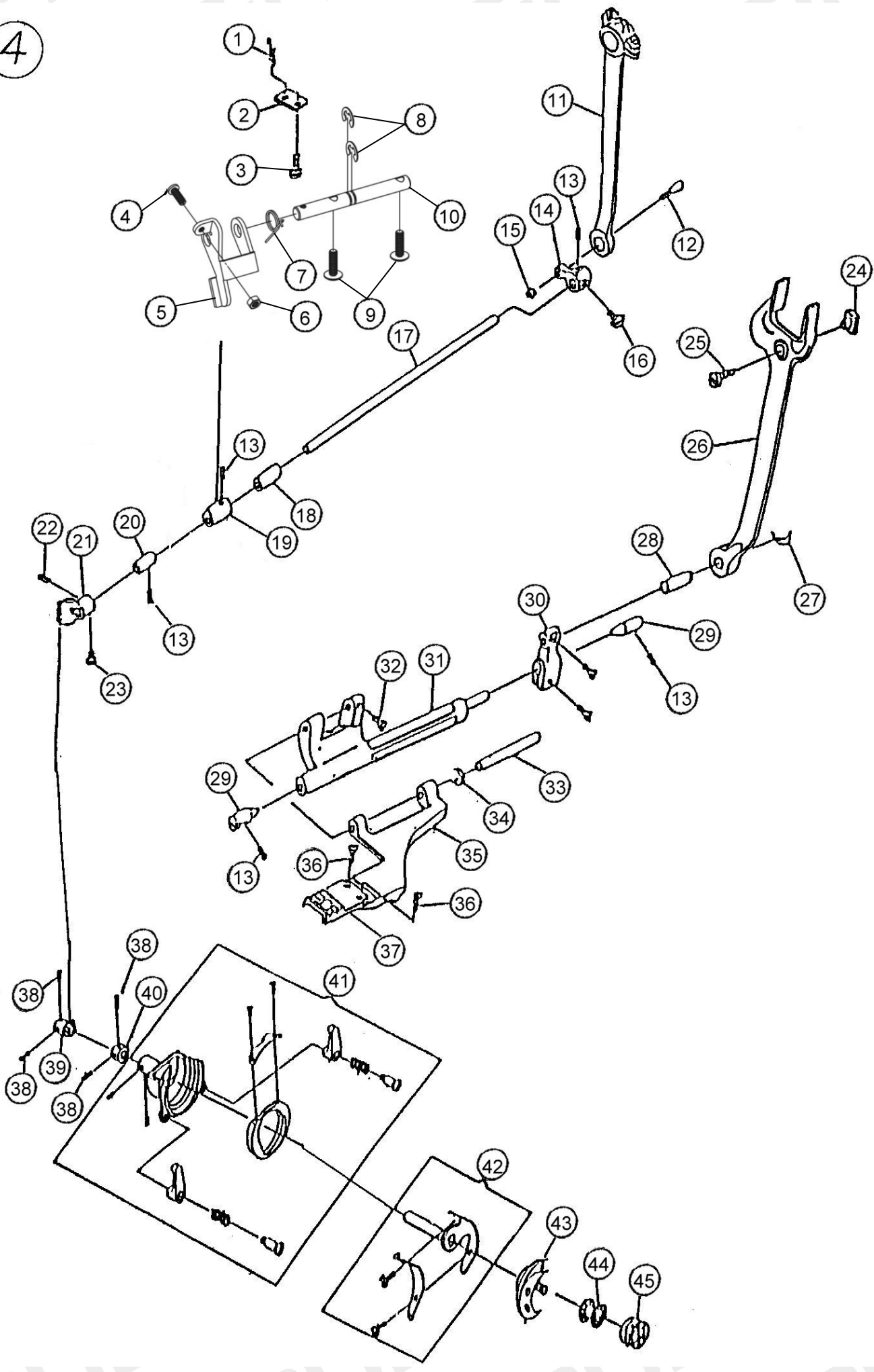
ref	no. part no.	name of parts
---	-----	-----
01	SP-301083009	THREAD TAKE-UP CRANK
02	SP-000003508	SPRING PIN 4*20
03	SP-301084000	SET SCREW
04	SP-301068008	SET SCREW
05	SP-250002003	FRONT BUSHING
06	SP-250004005	FRONT BUSHING BRACKET
07	SP-301008000	SET SCREW
08	SP-301086002	NYLON WASHER
09	SP-301340306	COLLAR
10	SP-301087003	SET SCREW
11	SP-301093002	UPPER SHAFT SET SCREW
12	SP-370265001	UPPER SHAFT GEAR (12 PATTERN)
13	SP-370504005	SELECT CAM COMP
14	SP-220001009	UPPER SHAFT
15	SP-250005006	REAR BUSHING BRACKET
16	SP-000000907	E RING UPPER SHAFT
17	SP-250002003	FRONT BUSHING
18	SP-220002000	MOTOR BELT
19	SP-220004002	WHEEL TRANSPORT PLATE
20	SP-220008006	BALANCE PLATE
21	SP-000011222	SET SCREW
22	SP-220005003	TRANSPORT PIN
23	SP-220003012	HAND WHEEL
24	SP-000016032	SCREW
25	SP-250087002	SET SCREW
26	SP-220006015	CLUTCH BUTTON
27	SP-220007016	WHEEL COVER
28	SP-610100000	SPRING
29	SP-301544003	TAKE-UP LEVER CAMP
30	SP-301100003	SET SCREW
31	SP-301503000	NEEDLE HOLDER
32	SP-301046000	SET SCREW
33	SP-370011000	ZIGZAG DRIVING PLATE
34	SP-220028002	SUPPORTER
35	SP-000012326	RING
36	SP-301245001	WASHER
37	SP-301016001	SET SCREW
38	SP-301045009	ECCENTRIC PIN
39	SP-000000206	SNAP RING 4D
40	SP-000000309	SNAP RING 5D
41	SP-250089004	NEEDLE BAR SUPPORTER
42	SP-301016001	SET SCREW
43	SP-301047001	SPRING
44	SP-260042006	NEEDLE BAR
45	SP-260502009	NEEDLE CLAMP COMP
46	SP-301244206	NEEDLE
47	SP-230010002	TENSION RELEASE LEVER *A
48	SP-290026007	SPRING
49	SP-301252001	GUIDE BRACKET
50	SP-301087003	SET SCREW
51	SP-370154006	PRESSER BAR LIFTER
52	SP-250007008	PRESSURE BAR LIFTER
53	SP-301070003	HINGED SCREW
54	SP-220030007	NEEDLE BAR STOPPING PLATE
55	SP-301245001	WASHER
56	SP-301049003	SET SCREW
57	SP-370147006	SPRING
58	SP-271094007	TENSION SPRING SETTER
59	SP-301037008	SET SCREW
60	SP-301061001	PRESSER BAR
61	SP-301522005	PRESSER FOOT HOLDER
62	SP-353012008	ZIGZAG PRESSER FOOT
63	SP-610012004	SET SCREW

3



ref	no. part no.	name of parts
01	SP-220605548	PATTERN COMP. (12 PATTERN)
02	SP-301008000	SET SCREW
03	SP-301151009	NUT
04	SP-351047006	BAND
05	SP-370042000	STRETCH STITCH ROD
06	SP-301155003	SPRING
07	SP-250081109	ADJUSTER
08	SP-301289007	SET SCREW
09	SP-301154002	HINGED SCREW
10	SP-301046000	SET SCREW
11	SP-301087003	SET SCREW
12	SP-301153104	COLLAR
13	SP-370045003	SPRING
14	SP-270284003	ADJUSTING PLATE
15	SP-000000505	SNAP RING 9D
16	SP-301152000	FEED REGULATOR SHAFT
17	SP-301008000	SET SCREW
18	SP-230003792	STITCH LENGTH DIAL
19	SP-270655294	STITCH LENGTH DIAL COMP.
20	SP-380024052	REVERSE BUTTON
21	SP-220801007	LIGHT CORD COMP.
22	SP-650816103	LIGHT BULB
23	SP-301285106	BELT
24	SP-230813003	MOTOR COMP.
25	SP-000003807	SPRING PIN 2*14
26	SP-250146000	NUT
27	SP-301555007	MOTOR WHEEL COMP.
28	SP-000000103	SNAP RING 3D
29	SP-260025003	MOTOR BRACKET
30	SP-450063008	SPRING WASHER
31	SP-301143008	SET SCREW
32	SP-260050007	INSULATED PLATE
33	SP-000063023	SET SCREW
34	SP-000063034	RECEPTACLE
35	SP-000063001	SCREW
36	SP-260026037	SWITCH FIXED PLATE
37	SP-250831009	SWITCH COMP
38	SP-370044002	WASHER
39	SP-370043001	ROD SPRING

4



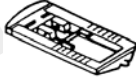
ref no.	part no.	name of parts
01	SP-301181008	FEED DOG BASE SPRING
02	SP-301197007	SPRING HOLDER
03	SP-301185002	SET SCREW
04	SP-220012003	SET SCREW
05	SP-220011002	DROP FEED CRANK
06	SP-301151009	NUT
07	SP-301195005	SPRING
08	SP-000000309	SNAP RING 5D
09	SP-250010004	SET SCREW
10	SP-220010001	UP/DOWN SHAFT
11	SP-301512002	CRANK ROD COMP
12	SP-301106009	TAPER SCREW
13	SP-301087003	SET SCREW
14	SP-353014000	LOWER SHAFT BRACKET
15	SP-301107000	NUT
16	SP-353015001	SCREW
17	SP-301109002	LOWER SHAFT
18	SP-301110006	LOWER SHAFT FRONT BUSHING
19	SP-301182102	FEED LIFTING CAM
20	SP-301111100	LOWER SHAFT REAR BUSHING
21	SP-301113009	OSCILLATING SHAFT GEAR
22	SP-301115001	SET SCREW
23	SP-301114000	SET SCREW
24	SP-301147002	FORKED ROD SLIDE BLOCK
25	SP-301146001	FORKED ROD SLIDE BLOCK DRAFT
26	SP-301145000	FORKED ROD
27	SP-000000402	SNAP RING 6D
28	SP-301179003	CONNECTING PIN
29	SP-301241007	CENTER PIN B
30	SP-301517007	FEED ROCK CRANK
31	SP-301171005	FEED ROCK SHAFT
32	SP-301131003	SET SCREW
33	SP-301173007	FEED DOG BASE SHAFT
34	SP-000000206	SNAP RING 4D
35	SP-301172006	FEED DOG BASE
36	SP-301175009	SET SCREW
37	SP-301174008	FEED DOG
38	SP-301046000	SET SCREW
39	SP-301130105	BEVEL GEAR
40	SP-301129101	COLLAR
41	SP-301542207	HOOK RACE BODY COMP.
42	SP-301541000	HOOK RACE SHAFT COMP.
43	SP-301132406	HOOKPANEL
44	SP-610081004	BOBBIN
45	SP-301515304	BOBBIN CASE

ACCESSORIES

1



2



3



4



5



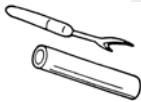
6



7



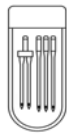
8



9



10



11



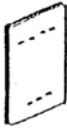
12



13



14



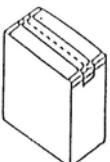
15



16



17



1. All purpose foot (On machine): SP-353012008

2. Buttonhole foot (Plastic): SP-303401003

3. Zipper foot: SP-301438003

4. Bobbin (Plastic): SP -610081004

5. Screw driver: SP-301439004

6. Needle plate screw driver: SP-660403001

7. Felt: SP-301403009

8. Buttonhole cutter: SP-303403201

9. Feed cover plate (Plastic): SP-220401003

10. # 14 Needle: SP-301244206

Twin Needle: SP-301408107

11. Spool pin (A) (Plastic): SP-220405007

12. Spool pin (B) (Plastic): SP-220406008

13. Low shank adapter(On machine): SP-301522005

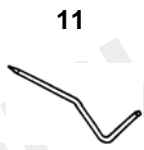
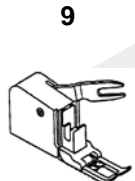
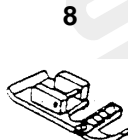
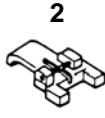
14. INSTRUCTION MANUAL: 220435006

15. DUST COVER: SP-353435805

16. CONTROLLER COMP: SP-230814004

17. CARTON: SP-220717005

ACCESSORIES (OPTION)



1. Hemmer foot: SP-301405001
2. Button sewing foot (Plastic): SP-301406002
3. Blind hem foot: SP-353431007
4. Satin stitch foot (Plastic): SP-301447005
5. Embroidery foot: SP-380413007
6. Quilting foot: SP-301404000
7. Overcasting foot: SP-303404006
8. Cording foot: SP-353432008
9. Walking foot: SP-280416007
10. Gathering foot: 280415006
11. Quilting guide: SP-301434009
12. Seam guide: SP-301433008
13. Side cutter: SP-680461009



HSM-2212

高林股份有限公司 KAULIN MFG. CO., LTD.

The specification and/or appearances of the equipment described in this parts list are subject to change because of modification without previous notice.