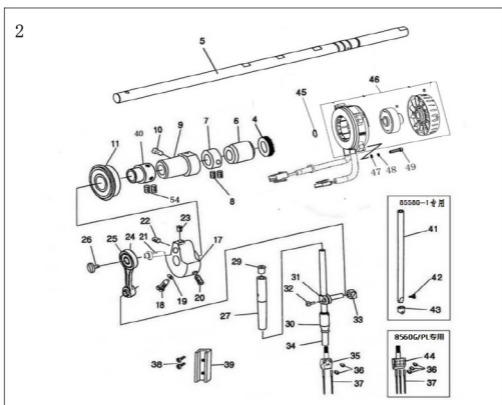


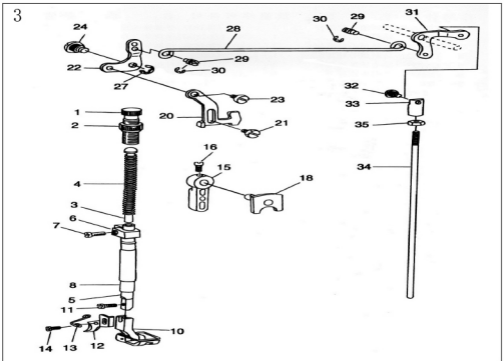
一、机壳分组件 Arm bed components

序号NO.	公司件号 Part NO.	名称 PartName	零件描述 Description	数量 Number
1	303829	机壳部件 (8558G, 8560G, 8560G-PI)	arm bed complete (8558G, 8560G, 8560G-PI)	1
	305911	机壳部件 (8560G-PL)	arm bed complete (8560G-PL)	1
2	116513002	底座支承螺钉	bed screw stud	2
3	12512001	底座支承板	bed support	1
4	300972	后盖板	side plate	1
5	12523001	后盖板垫	gasket	1
6	101511001	后盖板螺钉	side plate screw	9
7	303967	面板部件	face plate ass	1
8	12822001	面板垫	face plate gasket	1
9	101511001	面板螺钉	screw	3
10	10122003	面板调节螺孔塞	rubber plug	2
11	12515001	凸轮盖压板	can cover latch	1
12	12527001	凸轮盖压板弹簧	spring	1
13	12512002	凸轮盖压板弹簧座	spring suspension	1
14	125511004	凸轮盖压板座螺钉	screw	1
15	12515002	附件安装板	attachment installing plate	1
18	125515008	附件安装板螺钉	screw	1
19	1251500300	凸轮盖部件	can cover ass	1
	12515008	凸轮盖 (8558G: 1/4", 1/8", 3/16", -1, -2)	can cover (8558G: 1/4", 1/8", 3/16", -1, -2)	1
20	12515011	凸轮盖 (8558G-3/8", 8560G-PL)	can cover (8558G-3/8", 8560G-PL)	1
	12615001	凸轮盖 (8560G, 8560G-PI)	can cover (8560G, 8560G-PI)	1
21	12512004	凸轮盖托板	can cover	1
22	12512005	凸轮盖弹簧	spring	1
23	101511019	凸轮盖弹簧螺钉	screw	4
24	12515006	凸轮盖导轮	can cover guide	1
25	201511002	凸轮盖导轮螺钉	screw	1
26	1251500500	推板部件	bed slide ass	1
27	12615002	推板	bed slide	1
28	12512006	推板簧	spring	1
29	101511019	推板簧螺钉	screw	2
30	12515006	推板导轮	bed slide guide	1
31	201511002	推板导轮螺钉	screw	1
32	12512007	推板锁簧	bed slide lock spring	1
33	101511004	推板锁簧螺钉	screw	2
34	12509001	推板簧把手	latcn	1
35	101511027	推板簧把手螺钉	screw	1
37	40122016	上轴套油线孔塞	rubber plug	2
38	10122004	针杆曲柄螺孔塞	rubber plug	1
39	12523022	送料针调节器螺孔塞	rubber plug	1
40	12522003	抽穿轴孔塞	rubber plug	1
41	12522004	下轴套孔塞	rubber plug	1
	1251201000	卷边器部件 (8558G-1/4")	folder (8558G-1/4")	1
42	1251206200	卷边器部件 (8558G-1/8", 8560G, 8560G-PL, 8560G-PI)	folder (8558G-1/8", 8560G, 8560G-PL, 8560G-PI)	1
	1251206400	卷边器部件 (8558G-3/8")	folder (8558G-3/8")	1
	1251206300	卷边器部件 (8558G-3/16")	folder (8558G-3/16")	1
43	12512013	卷边器垫块	gasket	1
44	125511006	卷边器螺钉	screw	2
45	11253700100	电控部件 (8558)	electronic control module	1
45	11263300100	电控部件 (8560)	electronic control module	1
46	413513012	电控螺钉	screw	4
47	101511005	线钩螺钉	screw	3
48	40230011	LED灯	LED lamp	1
49	12612014	LED灯线夹	LED clamp	3
50	12512054	线夹	clamp	1



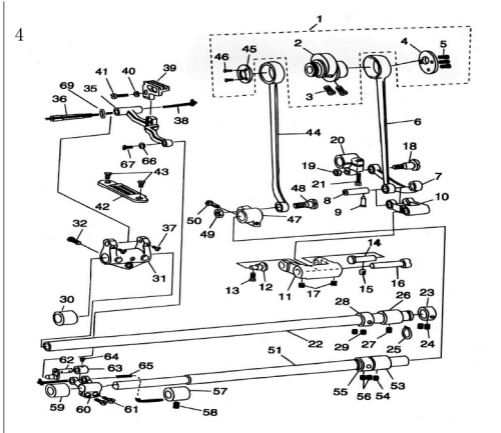
二、上轴针杆组件 Main shaft & needle bar components

序号 NO.	公司件号 Part NO.	名称 PartName	零件描述 Description	数量 Number
4	I25220900	上轴油封组件	main shaft oil seal ass	1
	I2502022	上轴(直驱)	main shaft	1
	I2502023	上轴(自动抽压脚)	main shaft	1
5	I2602007	上轴(8560G-PL直驱)	main shaft	1
	I2602008	上轴(8560G-PL自动抽压脚)	main shaft	1
6	I250300500	上轴后轴套零件	main shaft bushing, rear	1
7	I0108001	上轴挡圈	main shaft thrust collar	1
8	I01515007	上轴挡圈螺钉	screw	2
9	I2503004	上轴中轴套	main shaft bushing, intermediate	1
10	I01515006	上轴中轴螺钉	screw	1
11	B10003	轴承6004ZZN	bearing 6004zzn	1
13	I0122012	上轴孔塞	roller felt	1
14	I2526026	曲柄油量调节销	Crank oil adjusting pin	1
15	I2522024	曲柄油量调节衬套	Rubber bushing	1
16	I2522025	曲柄油量调节销O型圈	O-Rubber ring	1
	I2504001	针杆曲柄	counterweight ass	1
	I2604006	针杆曲柄(8560G-PL)	counterweight ass	1
	I2604008	针杆曲柄(8560G-PH)	counterweight ass	1
18	I01511003	针杆曲柄定位螺钉	screw	1
19	GR1472	定位螺钉O型圈	O-Rubber ring	1
20	I01515004	针杆曲柄紧固螺钉	screw	1
21	I2620003	针杆连杆柄	needle crank	1
22	I01515002	针杆连杆紧固螺钉	screw	1
23	I01515002	针杆连杆销螺钉	screw	1
24	I250501000	针杆连杆组件	needle bar crank rod ass	1
25	B04008	针杆连杆轴承	needle roller bearing	1
26	I01517001	针杆连杆左装螺钉	left twist screw	1
27	I2503009	针杆上衬套	needle bar bushing upper	1
29	I0122013	针杆上衬套孔塞	rubber plug	1
30	I0103023	针杆下衬套	needle bar bushing, lower	1
31	I0138002	针杆连接柱	needle bar connection ass	1
32	I01511005	针杆连接柱螺钉	screw	1
33	I0109001	针杆连接柱滑块	crank slide block	1
34	I2602002	针杆	needle bar	1
	I2534001	针夹(8558G-1/4")	needle clamp(8558G-1/4")	1
	I2534002	针夹(8558G-1/8")	needle clamp(8558G-1/8")	1
35	I2534004	针夹(8558G-3/8")	needle clamp(8558G-3/8")	1
	I2534003	针夹(8558G-3/16")	needle clamp(8558G-3/16")	1
	I2534006	针夹(8558G-2)	needle clamp(8558G-2)	1
36	I25515007	支杆螺钉	screw	2
37	I2617005	机针	needle	2
38	I01511008	滑块导轨螺钉	screw SM11/64*40 L=8	2
39	I0109002	针杆连接柱滑块导轨	needle bar guide	1
40	I220300100	上轴轴承套	main shaft bearing bushing	1
41	I1402035	针杆(8558G-1)	needle bar	1
42	I01511006	支杆螺钉	screw	1
43	I0113002	针杆线勾	needle bar frame thread	1
	I2634002	针夹(8560G, 8560G-PL)	needle clamp(8560G, 8560G-PL)	1
44	I2634005	针夹(8560G-PH)	needle clamp(8560G-PH)	1
45	H03001	卡簧	motor stator	1
46	I0133045	电机组件	motor rotor	1
47	I3628013	垫圈	washer	3
48	H03002	弹性垫圈	washer	3
49	I14513001	螺钉	screw	4
54	S10009	螺钉	screw	2



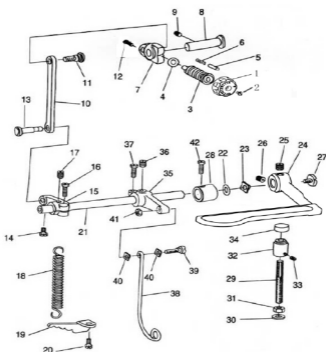
三、压料分组件 Presser bar components

序号 NO.	公司件号 Part NO.	名称 PartName	零件描述 Description	数量 Number
1	I0111034	调压螺钉	presser spring regulator	1
	I1388S3003	调压螺钉(8560G-PH)	presser spring regulator(8560G-PH)	1
	I0111036	调压螺母	nut	1
2	I1388S16005	调压螺母(8560G-PH)	nut(8560G-PH)	1
3	I0102003	调压导杆	presser bar guide bar	1
4	I0127005	调压簧	presser spring	1
5	I2502002	压杆	presser bar	1
6	I2509002	压杆导架	presser guide bracket ass	1
7	I10511005	压杆导架螺钉	screw	1
8	I0103012	压杆衬套	presser bar bushing, low	1
	I251600100	压脚部件(8558G-1/4")	presser foot ass(8558G-1/4")	1
	I251600400	压脚部件(8558G-1/8")	presser foot ass(8558G-1/8")	1
	I251600500	压脚部件(8558G-3/16")	presser foot ass(8558G-3/16")	1
	I251600600	压脚部件(8558G-3/8")	presser foot ass(8558G-3/8")	1
10	I251601000	压脚部件(8558G-1)	presser foot ass(8558G-1)	1
	I251601100	压脚部件(8558G-2)	presser foot ass(8558G-2)	1
	I261600800	压脚部件(8560G)	presser foot ass(8560G)	1
	I261600900	压脚部件(8560G-PH)	presser foot ass(8560G-PH)	1
	I261601000	压脚部件(8560G-PL)	presser foot ass(8560G-PL)	1
11	I01511009	压脚螺钉	screw	1
12	I2519001	切线刀	thread knife	1
13	I2527003	切线刀导钩	thread knife guide	1
14	201511002	切线刀导钩螺钉	screw	1
15	I251100100	压脚扳手组件	hand lifter ass	1
16	I01511001	压脚扳手螺钉	screw	1
18	I251000100	压脚扳手凸轮部件	hand lifter cam ass	1
20	I2512057	压脚升降板	lifting lever	1
21	I25230003	升降板轴位螺钉	hinge screw	1
22	I2512014	抬压脚前杆	lifting link forlifting level	1
23	I25230001	前杆轴位螺钉	hinge screw	1
24	I25211001	前杆轴位销	hinge pin	1
27	H05013	挡圈	snap ring	1
28	I2512015	抬压脚拉杆	lifting lever connecting rod	1
29	I25211002	抬压脚拉杆螺钉	screw	2
30	H05003	抬压脚拉杆开口挡圈	snap ring	2
31	I2512016	抬压脚后杆	lifting lever link rear	1
32	I25230004	后杆轴位螺钉	hinge screw	1
33	I2526003	抬压脚顶杆接头	swivel	1
34	I2512017	抬压脚顶杆	lifting lever connecting rod, vertical	1
35	I10516006	抬压脚顶杆螺母	nut	1



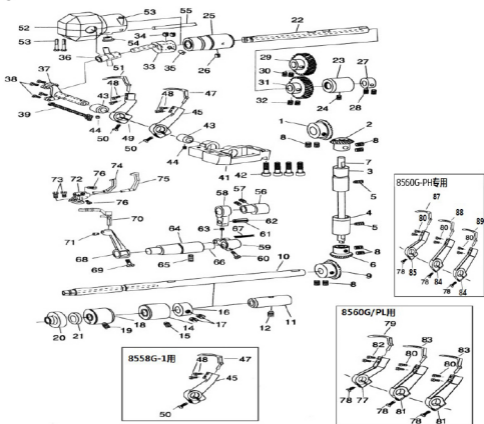
四、送料分组件 Feed mechanism components

序号 NO.	公司件号 Part NO.	名称 PartName	零件描述 Description	数量 Number
1	I25100030	送料偏心轮部件	feed eccentric cam ass	1
2	I2510004	送料偏心轮	feed eccentric cam ass	1
3	I01511013	送料偏心轮螺钉	screw	2
4	I2512018	送料偏心轮盖板	feed eccentric cam thrust washer	1
5	I25517001	偏心轮盖板螺钉	screw	3
6	I2505001	送料大连杆	feed rocker shaft connecting rod	1
7	I2505002	送料小连杆	connecting rod	1
8	I2526004	送料连杆销	connecting pin	1
9	I25511009	送料连杆销螺钉	screw	1
10	I2504002	送料摆杆	feed driving rocker ass	1
11	I2501003	送料摆杆座	reed driving rocker	1
12	I2526005	送料摆杆座左销	hinge stud	1
13	I01511020	送料摆杆座左销螺钉	screw	1
14	I2526006	送料摆杆座右销	hinge pin	1
15	I25511010	送料摆杆座右销螺钉	screw	1
16	I2526007	送料摆杆销	hinge pin	1
17	I25515005	送料摆杆销螺钉	screw	2
18	I25520002	送料曲柄轴位螺钉	hinge screw	1
19	409516015	送料曲柄轴位螺母	nut	1
20	I2504003	送料曲柄	feed rocker shaft crank	1
21	I01511016	送料曲柄螺钉	screw	1
22	I2502004	送料轴	feed rocker shaft	1
23	I2508002	送料轴挡圈	thrust collar	1
24	401515006	送料轴挡圈螺钉	screw	2
25	H03001	送料轴轴挡圈	retaining ring	1
26	I2503012	送料轴后轴套	bushing rear	1
27	409515004	送料轴后轴套螺钉	screw	1
28	I2508002	送料轴挡圈	thrust collar	1
29	401515006	送料轴挡圈螺钉	screw	2
30	I2503013	送料轴前轴套	feed rocker shaft bushing , front	1
31	I2507001	牙架座	feed rocker	1
32	I01511016	牙架座螺钉	screw	1
35	I2507002	牙架	washer	1
36	I2526008	牙架轴	feed bar shaft	1
37	I25511003	牙架轴螺钉	screw	2
38	I0123008	油线	oil wick	1
39	I2514001	送料牙 (85580-1/4")	reed dog(85580-1/4")	1
	I2514002	送料牙 (85580-1/8")	reed dog(85580-1/8")	1
	I2514003	送料牙 (85580-3/16")	reed dog(85580-3/16")	1
	I2514004	送料牙 (85580-3/8")	reed dog(85580-3/8")	1
	I2514006	送料牙 (85580-1, 85580-2)	reed dog(85580-1, 85580-2)	1
	I2614002	送料牙 (8560G)	reed dog(8560G)	1
	I2614004	送料牙 (8560G-PL)	reed dog(8560G-PL)	1
40	I2614006	送料牙 (8560G-PH)	reed dog(8560G-PH)	1
	H01005	送料牙挡圈	washer	1
41	I16511005	送料牙螺钉	screw	1
42	I2515007	针板 (85580-1/4")	throat plate(85580-1/4")	1
	I2515009	针板 (85580-1/8")	throat plate(85580-1/8")	1
	I2515010	针板 (85580-3/16")	throat plate(85580-3/16")	1
	I2515012	针板 (85580-3/8")	throat plate(85580-3/8")	1
	I2515016	针板 (85580-1)	throat plate(85580-1)	1
	I2515017	针板 (85580-2)	throat plate(85580-2)	1
	I2615004	针板 (8560G)	throat plate(8560G)	1
	I2605004	针板 (8560G-PL)	throat plate(8560G-PL)	1
43	I2615007	针板 (8560G-PH)	throat plate(8560G-PH)	1
	I25517002	针板螺钉	screw	2
44	I2505003	拾牙连杆	feed driving shaft connecting ro	1
45	I2512019	拾牙连杆凸轮盖	feed driving eccentric thrust wa	1
46	201511007	拾牙连杆凸轮盖螺钉	screw	2
47	I2504004	拾牙后曲柄	feed driving shaft crank rear	1
48	I25520002	拾牙连杆轴位螺钉	hinge screw	1
49	409516015	拾牙连杆轴位螺母	nut	1
50	I01511016	拾牙后曲柄紧固螺钉	screw	1
51	I2502005	拾牙轴	feed driving shaft	1
53	I2503012	拾牙轴后轴套部件	bushing ,rear	1
54	I01515010	拾牙轴后轴套螺钉	screw	1
55	I0108003	拾牙轴后轴套挡圈	thrust collar	1
56	I01515002	后轴套挡圈螺钉	screw	2
57	I2503017	拾牙轴中轴套	bushing, intermediate	1
58	I01515010	拾牙轴中轴套螺钉	screw	1
59	I2503020	拾牙轴前轴套	feed rocker shaft bushing, front	1
60	I2504005	拾牙轴前曲柄	feed rocker shaft crank	1
61	201511026	拾牙轴前曲柄螺钉	screw	2
62	I2505004	牙架连杆	feed bar link	1
63	I2508003	牙架连杆挡圈	thrust collar	1
64	I25515003	牙架连杆挡圈螺钉	screw	2
65	I0423004	油线	oil wick	1
66	I2528001	牙架连杆衬孔垫圈	counter-bore washer	1
67	I25517006	牙架连杆垫圈螺钉	screw	1
69	I2528003	牙架轴挡圈	feed bar shaft washer	1



五、送料调节分组件 Feed regulating components

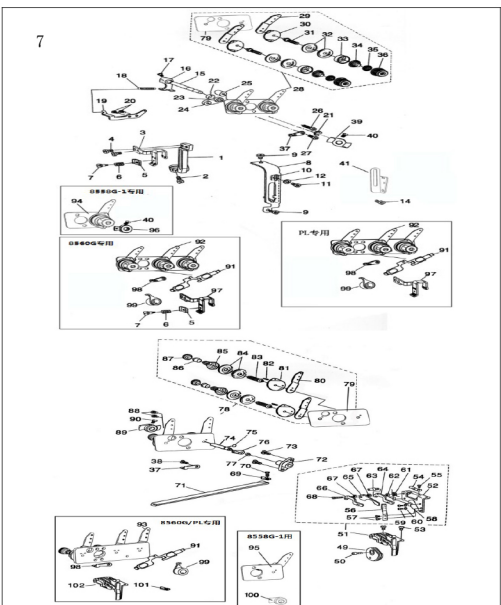
序号 NO.	公司件号 Part NO.	名称 PartName	零件描述 Description	数量 Number
1	125110090	送料距旋钮部件(JACO)	stitch dial arm	1
2	101S11022	送料距旋钮螺钉	screw	1
3	12526030	送料调节螺钉	feed regulating screw	1
4	001940	送料调节螺钉O形圈	o-rubber ring	1
5	10126015	送料距锁合销	stitch dial lock pin	1
6	10127010	送料距锁合销簧	stitch dial lock spring	1
7	12504006	送料调节器	feed regulation	1
8	12526011	送料调节器销	hinge pin	1
9	101S15006	送料调节器销螺钉	screw	1
10	12505005	送料调节器连杆	feed regulator connecting rod	1
11	12526020	调节器连杆轴	regulator connecting shaft	1
12	116S11017	调节器连杆轴螺母	nut	2
13	12526012	拉簧调节曲柄销	tension spring suspension stud	1
14	116S11017	拉簧调节曲柄销螺钉	screw	1
15	12504007	拉簧调节曲柄	tension spring suspension crank	1
16	101S11021	调节曲柄紧固螺钉	clamp screw	1
17	101S15006	调节曲柄定位螺钉	screw	1
18	12527004	倒送料轴拉簧	tension spring	1
19	12512020	拉簧固定板	suspension bracket	1
20	101S11008	拉簧固定板螺钉	screw	1
21	12502006	倒送料轴	reverse feed control lever shaft	1
22	001014	倒送料轴O形圈	rubber ring ,large	1
23	W03010	倒送料轴弹性垫圈10	waved washer	1
24	303297	倒送料扳手	reverse feed control lever	1
25	101S15011	倒送料扳手定位螺钉	screw	1
26	101S15007	倒送料扳手螺钉	screw	1
27	125S11015	倒送料轴端螺钉	end screw	1
28	12508006	倒送料轴挡圈	thrust collar	1
29	125S30007	倒送料轴挡圈杆	screw	1
30	W01015	挡块螺钉垫圈	washer	1
31	208S10006	挡块螺钉螺母	nut	1
32	300975	倒送料轴挡块	lever stopper	1
33	125S15004	倒送料轴挡块螺钉	screw	1
34	12522009	倒送料轴挡块橡胶垫	rubber cushion	1
35	12504008	倒送料曲柄	control lever crank, rear	1
36	101S15006	倒送料曲柄定位螺钉	screw	1
37	101S11021	倒送料曲柄螺钉	screw	1
38	12512021	倒送料连杆	feed driving rocker arm connecti	1
39	125S30006	倒送料连杆轴位螺钉	screw	1
40	W04002	倒送料连杆轴位垫圈	washer	2
41	401S16004	倒送料连杆轴位螺母	nut	1
42	101S11020	倒送料轴挡圈螺钉	screw	1



六、弯针勾线分组件 Looper thread retainer components

序号 NO.	公司件号 Part NO.	名称 PartName	零件描述 Description	数量 Number
1	10125004	上轴伞齿轮	gear arm	1
2	10125003	整轴上伞齿轮	pinion arm	1
3	12503021	整轴上轴套	bushing, upper	1
4	125030230	整轴下轴套部件	bushing, lower	1
5	101S15001	整轴轴套螺钉	screw	2
6	10125003	整轴下伞齿轮	gear arm	1
7	12502007	整轴	upright, shaft	1
8	101S15007	伞齿轮螺钉	bushing, front arm, screw	8
9	12525001	下轴伞齿轮	gear arm	1
10	12503008	下轴	lower shaft arm	1
11	12503025	下轴后轴套	bushing, rear	1

12	101S15010	下轴后轴套螺钉	screw	1
14	125002600	下轴中轴套部件	bushing, intermediate	1
15	101S15001	下轴中轴套螺钉	screw	1
16	12506005	下轴挡圈	thrust collar asm	1
17	101S15007	下轴挡圈螺钉	screw	2
18	1250003200	下轴轴套部件	bushing, front	1
19	101S15001	下轴轴套螺钉	screw	1
20	12500046	下轴前轴套油封套	looper thread guard bushing	1
21	1252200700	下轴前轴套油封组件	looper thread guard bushing asm	1
22	12502009	弯针轴	looper rocket shaft/r	1
23	1250002600	弯针轴后轴套部件	bushing, intermediate	1
24	101S15010	弯针后轴套螺钉	screw	1
25	1250003800	弯针轴前轴套部件	bushing, front	1
26	101S15001	弯针轴前轴套螺钉	screw	1
27	12506005	弯针轴挡圈	thrust collar asm	1
28	101S15007	弯针轴挡圈螺钉	screw	2
29	12525002	主动弯针齿轮	gear asm, upper	1
30	101S15007	主动弯针齿轮螺钉	screw	2
31	12525003	被动弯针齿轮	gear asm, lower	1
32	101S15007	被动弯针齿轮螺钉	screw	2
33	12504009	弯针曲柄	looper crank asm	1
34	101S15007	弯针曲柄螺钉	screw	2
35	125030008	弯针曲柄调节螺钉	screw	1
36	1250402100	弯针摆轴十字接头组件	Trumblon asm	1
37	1250201000	弯针摆轴部件	looper rocker shaft asm	1
38	209S1009	弯针摆轴螺钉	screw	4
39	10423004	油线	oile wick	1
41	12501005	弯针架座	looper mounting base	1
42	125S13001	弯针架座螺钉	screw	4
44	401S15006	弯针摆轴轴套螺钉	screw	2
45	12504012	左弯针曲柄	looper holder asm(left)	1
47	12517001	左弯针	looper(left)	1
48	209S1012	弯针螺钉	screw	4
49	12504013	右弯针曲柄	looper holder asm. (right)	1
50	101S11016	弯针曲柄螺钉	screw	2
51	12517002	右弯针	looper(right)	1
52	1251202200	弯针曲柄罩壳部件	crank cover asm	1
53	125S11007	曲柄罩壳螺钉	screw	3
54	GR1462	曲柄罩壳孔塞	Rubber plug	1
55	12921002	接管3X5	vinyl tube	1
56	12510005	护针凸轮	needle guard cam asm	1
57	101S15007	护针凸轮螺钉	screw	2
58	12505007	护针连杆	needle guard crank rod	1
59	12504014	护针叉形曲柄	rear needle guard rocker fork	1
60	101S11020	护针叉形曲柄螺钉	screw	1
61	12526014	护针曲柄销	pin	1
62	10423004	油线	oil wick	1
63	401S15006	护针曲柄销螺钉	screw	1
64	12500043	护针轴套	bushing	1
65	101S15010	护针轴套螺钉	screw	1
66	12500012	护针轴	needle guard driving shaft asm	1
67	10128008	护针轴油线	oil wick	1
68	12504015	护针曲柄	rear needle guard rocker arm asm	1
69	101S11016	护针曲柄螺钉	screw	1
70	12517003	摆动护针 (8558G: 1/4", 1/8", 3/8", 3/16")	driving needle guard(8558G:1/4", 1/8", 3/8", 3/16")	1
	12517009	摆动护针 (8558G-1)	driving needle guard(8558G-1)	1
	12517010	摆动护针 (8558G-2)	driving needle guard(8558G-2)	1
	13017003	摆动护针 (8560G, 8560G-PL)	driving needle guard(8560G, 8560G-PL)	1
	13017006	摆动护针 (8560G-PH)	driving needle guard(8560G-PH)	1
71	209S1009	摆动护针杆螺钉	screw	1
72	12501006	护针杆座	needle guard base	1
73	101S11011	护针杆座螺钉	screw	2
74	12517004	左固定护针杆	counter needle guard, left	1
	13017007	左固定护针杆 (8560G-PH)	counter needle guard, left(8560G-PH)	1
	13005001	右固定护针杆 (8560G, 8560G-PL)	counter needle guard, right (8560G, 8560G-PL)	1
75	12517005	右固定护针杆	counter needle guard, right	1
	12517011	右固定护针杆 (8558G-2)	counter needle guard, right(8558G-2)	1
	13017008	右固定护针杆 (8560G-PH)	counter needle guard, right(8560G-PH)	1
76	101S11005	左右固定护针杆螺钉	screw	2
77	13004003	右弯针曲柄	looper holder asm. (right)	1
78	120S11001	弯针曲柄螺钉	screw	3
79	12517002	右弯针	looper(right)	1
80	201S11007	左弯针螺钉	screw (left)	4
81	13004002	左弯针曲柄	looper holder asm(left)	2
82	209S1012	右弯针螺钉	screw(right)	2
83	12517001	左弯针	looper(left)	2
84	13004009	右弯针曲柄 (8560G-PH)	looper holder asm, right(8560G-PH)	1
85	13004010	左弯针曲柄 (8560G-PH)	looper holder asm, left(8560G-PH)	2
86	201S11007	弯针螺钉 (8560G-PH)	screw(8560G-PH)	6
87	13017010	左弯针 (8560G-PH)	looper, left(8560G-PH)	1
88	13017011	中弯针 (8560G-PH)	looper, right(8560G-PH)	1
89	13017009	右弯针 (8560G-PH)	looper, right(8560G-PH)	1

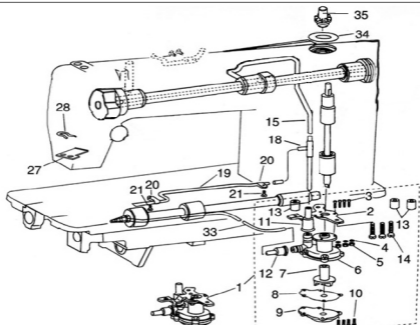


七、挑线、松线、夹线组件

Thread take-up, tension, and tension releasing assembly complete

序号NO.	公司件号 Part NO.	名称 PartName	零件描述 Description	数量 Number
1	1250008	挑线连杆	thread take-up lever	1
2	209S11021	挑线连杆螺钉	screw	1
3	12512025	挑线杆	thread take-up	1
4	101S11005	挑线杆紧固螺钉	screw	2
5	12512026	挑线杆夹线板	tension plate	1
6	12527014	挑线杆夹线簧	tension spring	1
7	125S11018	挑线杆夹线板轴螺钉	screw	1
8	12512027	挑线杆护罩	thread take up lever guard	1
9	401S11031	挑线杆护罩螺钉	screw	2
10	12512028	挑线调节板	take-up thread tension lever	1
11	112S11014	挑线调节板螺钉	screw	1
12	W01006	调节板螺钉垫圈	washer	1
14	401S11031	中间导线钩螺钉	screw	1
15	12502021	松线轴	tension release shaft	1
16	1250401600	底线松线曲柄部件	tension release arm asm	1
17	101S11012	底线松线曲柄螺钉	screw	1
18	12527015	后杆杆簧固定板	suspension bracket	1
19	12512031	后杆杆簧固定板螺钉	screw	2
20	112S11014	后杆杆簧固定板螺母	nut	1
21	809013	松线轴挡圈	snap ring	1
22	901027	松线轴O型圈	Oil seal ring	1
23	12509004	松线轴环	tension release shaft spacer	1
24	12509011	夹线器A安装垫	spacer(A) for installing plate	1
25	12509006	夹线器B安装垫	spacer(B) for installing plate	1
26	125S30010	夹线器上安装垫螺钉	screw	1
27	125S30010	夹线器下安装垫螺钉	screw	1
28	1251300600	面线夹线器部件	needle thread tension asm	1
29	12512032	面线单面导线板	needle thread tension guide plate	2
30	12512033	面线双面导线板	tension thread tension guide	2
31	125S30003	夹线螺钉	looper thread tension post	2
32	10112005	面线夹线板	tension disc	4
33	12511004	面线松线座	tension disc presser ruber	2
34	10127002	面线夹线簧	tension spring	2
35	10112007	面线止动板	tension disc stopper	2
36	12511009	面线夹线螺母	tension nut	2
37	12512035	导线钩	frame thread guide	2
38	112S11014	导线钩螺钉	screw	1
39	12504017	面线松线爪	tension release latch	1
40	101S11012	面线松线爪螺钉	screw	1
41	12512050	中间导线钩	frame thread eyelet	1
42	12612010	中间导线钩(三针)	frame thread eyelet(three needles)	1
49	1251000600	底线打线凸轮	looper thread take-up cam	1
50	125S17094	底线打线凸轮定位螺钉	screw	1
51	1251300200	凸轮导线钩部件	looper thread guide plate	1
52	12512040	凸轮导线架	thread guide plate	1
53	112S11014	凸轮导线架螺钉	screw	2
54	12512041	底线双线圈导线钩	looper thread guide asm	1
55	125S11004	底线双线圈导线钩螺钉	screw	1
56	12512042	底线导线止动簧	thread guide stopper spring	1
57	125S11004	底线导线止动簧螺钉	screw	2
58	12527007	底线断线钢丝	cut-off wire	1
59	101S11027	底线断线钢丝螺钉	screw	2
60	W01005	底线断线钢丝螺钉垫圈	washer	2
61	12527008	底线导线簧	thread guide spring	1
62	114S16004	凸轮过线螺钉螺母	nut	1
63	125S30002	凸轮过线螺钉	thread guide stud	1
64	12512043	凸轮导线钩(右)	looper thread guide, right	1
65	12512044	凸轮断线爪	cut-off plate	1
66	12512045	凸轮导线钩(左)	looper thread guide, left	1
67	12509007	凸轮导线环	collar	2
68	125S11005	凸轮导线钩螺钉	screw	1
69	12512046	底线导线钩	looper thread guide	1
70	409S17001	底线导线钩螺钉	screw	1
71	12512047	底线导线管	looper thread guide tube	1
72	12504018	松线轴套	tension release shaft bushing	1
73	125S11020	松线轴套螺钉	screw	2
74	12502014	底线松线轴	looper thread release shaft	1
75	901004	底线松线轴O型圈	rubber ring	1
76	1250401900	底线松线轴曲柄部件	tension release arm asm	1
77	114S16004	底线松线轴轴螺母	nut	1
78	1251300700	底线夹线器部件	lower thread tension asm	1
79	12512055	夹线器安装板	tension installing plate	2
80	12512049	底线单面导线板	looper thread tension control pl	2
81	12512050	底线双面导线板	thread guide	2
82	F01009	底线夹线板止动销	spring pin	2
83	125S30003	夹线螺钉	looper thread tension post	2
84	12512051	底线夹线板	tension disc	4
85	12527009	底线夹线簧	looper thread tension spring	2
86	12509008	底线夹线止动圈	tension spring bushing	2
87	125S16001	底线夹线螺母	tension post nut	2
88	401S11031	夹线器安装板螺钉	screw	2
89	12504020	底线松线爪	looper thread release latch	1
90	101S11012	底线松线爪螺钉	screw	1
91	12612004	松线器推板	Thread release Slide plate	1
92	1261301700	面线夹线器部件(三针)	needle thread tension asm(three needles)	1
93	1261301800	底线夹线器部件(三针)	lower thread tension asm(three needles)	1
94	1251300800	面线夹线器部件(85586-1)	needle thread tension asm(85586-1)	1
95	1251300900	底线夹线器部件(85586-1)	lower thread tension asm(85586-1)	1
96	12504022	面线松线爪	tension release latch	1
97	12638001	挑线杆	thread take-up	1
98	12613001	导线钩	frame thread guide	1
99	1260400400	松线爪组件	tension release latch	1
100	12504023	底线松线爪	looper thread release latch	1
101	12613006	底线导线钩	looper thread guide	1
102	1261300200	凸轮导线钩部件(三针)	looper thread guide plate(three needles)	1

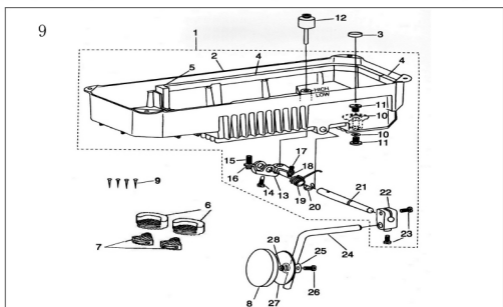
8



八、润滑分组件 Lubrication

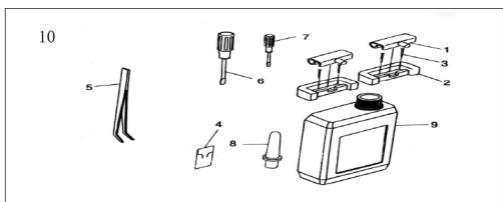
序号NO.	公司件号 Part NO.	名称 PartName	零件描述 Description	数量 Number
1	1252000100	油泵部件	lubrication oil pump asm	1
2	12512052	油泵安装板	oil pump installing base	1

3	125S30011	油泵安装螺钉	screw	4
4	GR150	油泵安装垫圈	washer	3
5	GL138	油泵安装螺母	Nut	3
6	125S000200	油泵体部件	washer	1
7	125S0003	油泵叶轮	oil pump impeller	1
8	12512053	油泵叶轮托板	oil pump impeller cover	1
9	125S000400	油泵盖部件	lubricating oil pump cover	1
10	125S00012	油泵盖螺钉	screw	4
11	125S0002	上轴供油管接头	rubber joint	1
12	125S0003	下轴供油管接头	rubber joint	1
13	12500011	油泵垫圈	Collar	3
14	125S0009	油泵螺钉	screw	3
15	12521002	上轴供油管	Main shaft oil tube	1
16	125S0004	齿轮供油管橡皮接头	Oil sight window base	1
19	12521003	齿轮供油管	gear oil pipe	1
20	12512054	齿轮供油管夹	holder	2
21	101S11025	凸轮供油管夹螺钉	screw	2
27	10423002	回油毡	oil felt	1
33	12521004	下轴供油管	oil tube	1
34	10122019	油窗O形圈	O-rubber ring	1
35	11211004	油窗	oil sight window	1



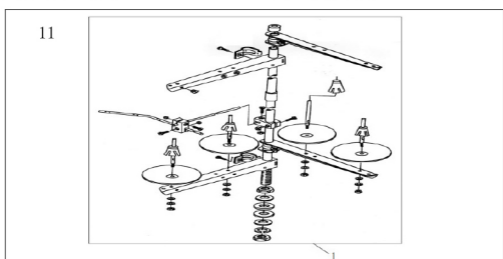
九、油盘、膝抬压脚分组件 Oil reservoir & knee lifter components

序号 NO.	公司件号 Part NO.	名称 PartName	零件描述 Description	数量 Number
1	1250100700	油盘部件	oil reservoir asm	1
2	12501009	油盘	oil reservoir	1
3	10131001	油盘磁铁	oil reservoir magnet	1
4	12522018	油盘侧面垫	gasket	2
5	12522019	油盘端面垫	gasket	1
6	10122023	机头防震垫块(大)	Cushion(big)	2
7	10122022	机头防震垫块(小)	Cushion(small)	2
8	10122024	膝板板状垫	knee press plate cover	1
9	101S30010	油盘螺钉	nail	4
10	10122001	排油螺钉O形圈	oil drain cap gasket	2
11	101S11028	排油螺钉	oil drain screw	2
12	125S1004	抬压脚顶销	knee press lifter rod	1
13	12512059	抬压脚双向曲柄	lifting	1
14	101S12002	双向曲柄螺钉	positioning screw	1
15	101S15012	双向曲柄限位螺钉	positioning screw	2
16	101S16004	双向曲柄限位螺母	nut	2
17	101S15012	双向曲柄限位螺钉	positioning screw	2
18	101S16004	双向曲柄限位螺母	nut	2
19	10127016	双向曲柄扭簧	spring	1
20	005010	抬压脚轴开口凸圈	thrust ring	1
21	12502015	抬压脚轴	knee press rod	1
22	10101008	抬压脚撑板杆节头	bearing bracket	1
23	101S12003	撑板杆节头螺钉	clamp screw	2
24	10112028	撑板杆	knee lifter plate rod	1
25	10112030	撑板板节头	knee press plate cover joint	1
26	101S12004	撑板板节头螺钉	screw	1
27	10112029	撑板板	knee press plate	1
28	10122025	撑板板垫	Rubber	1



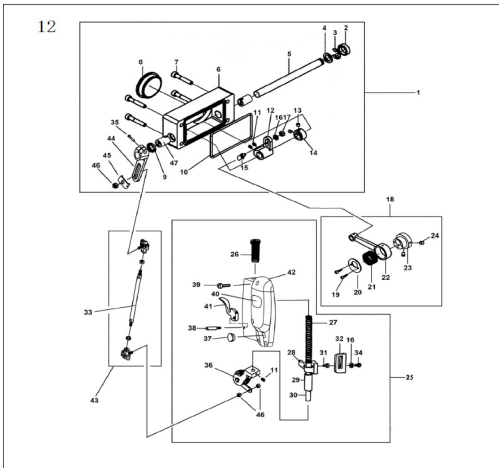
十、机头附件 Machine head accessories

序号 NO.	公司件号 Part NO.	名称 PartName	零件描述 Description	数量 Number
1	1011203100	机头连接钩部件	machine hinge plate asm	2
2	10122060	机头连接钩座	machine hinge plate	2
3	101S30010	机头连接钩座钉	nail	4
4	12617005	机针	needle	1包
5	20131051	镊子	tweezer	1
6	101S1003	螺丝刀(中)	screw driver(M)	1
7	101S1004	螺丝刀(小)	screw driver(S)	1
8	10111011	机头支柱	machine rest pin	1
9	20131037	油筒部件	lubricating unit case asm	1



十一、线架分组件 Quadruple-thread spool stand sam

序号NO.	公司件号 Part NO.	名称 PartName	零件描述 Description	数量 Number
1	2113101800	线架组件(四线)	Spool stand complete	1
1	2113102700	线架组件(六线)	Spool stand complete	1



十二、后拖轮装置 Puller device mechanism

序号NO.	公司件号 Part NO.	名称 PartName	零件描述 Description	数量 Number
1		后盖框组件	Bracket Assembly	1
2	30522019	油封	Plug	1
3	805011	GB/T896-1986卡簧	O-Ring	1
4	30128015	浮动连杆轴垫圈	Washer	1
5	30502945	拖轮轴	Shaft	1
6	301175	后盖	Bracket	1
7	207513004	螺钉 (M6X35)	Screw M6X35	4
8	30522069	油封	Plug	1
9	20122021	油封	Plug	1
10	30522070	后盖密封圈	O Ring	1
11	510029	螺钉M6x0.75X5	Screw M6X0.75X5	3
12	30504035	曲柄	Crank	1
13	509008	螺钉M5X5	Screw M5X5	2
14	30508001	挡圈	Collar	1
15	30128006	连杆销	Pin Screw	1
16	30128009	连杆轴垫圈	Washer	2
17	301004	螺母M5X5	Nut	1
18		拖轮偏心轮组件	Puller Eccentric Assembly	1
19	101511006	螺钉SM1/8"X44 L=4.5	Screw SM1/8"X44 L=4.5	2
20	40612050	固定板	Thrust collar	1
21	807036	滚针轴承	Needle Bearing	1
22	12605003	主轴连杆	Connection	1
23	12610001	主轴偏心轮	Eccentric	1
24	116514004	螺钉SM1/4"X40 L=6	Screw SM1/4"X40 L=6	2
25		面板组件	Face Plate Arm Assembly	1
26	40603019	调压螺钉1/2X28	Presser Adjust Screw1/2X28	1
27	12627004	弹簧	Spring	1
28	40609009	压脚轴连接块	Presser Bar Clamp	1
29	40603021	拉杆轴下套	Presser Bar Bush, D	1
30	40602016	拖轮轴	Puller Presser Bar	1
31	505038	压脚连接块螺钉M5X8	Screw M5X8	1
32	12612007	连接片	Link	1
33	12602003	拉杆轴	Presser Bar	1
34	409511013	连接片螺钉 SM5/64"X28	screw SM5/64"X28	1
35	505019	螺钉M6X16	Screw M6X16	1
36	4061400800	拖轮组件	Puller	1
37	10122003	面板调节螺孔盖	Rubber Plug	2
38	40602013	固定销子	Pin	1
39	101511001	螺钉SM5/16"X28 L=9	Screw SM5/16"X28 L=9	3
40	10137002	商标牌	Plate With Trademark	1
41	40601031	拖轮抓手	Presser Foot Lifter	1
42	12601004	面板	Face Plate Arm	1
43	4060402400	拉杆组件	Presser Rod Assy	1
44	12604007	调节曲柄	Clutch Lifter	1
45	40612048	刻度指示板	Degree Plate	1
46	402516003	螺母	Nut	3
47	20109020	浮动连杆轴套	Bush	2

杰克缝纫机股份有限公司 杰克缝纫机 全球销量遥遥领先

公司地址(Address of Company) :
中国浙江省台州市椒江区三甲东环大道东段1008号
NO.1008, DONGHAI AVENUE EAST, JIAOJIANG DISTRICT,TAIZHOU QTY, ZHEJIANG
邮编(Zip Code) : 318000
国内销售部(Domestic Trade Department) :
电话(TEL) : 0086-0576-88177788 88177789
传真(FAX) : 0086-0576-88177758
国际贸易部(International Trade Department) :
电话(TEL) : 0086-0576-88177782 88177774
传真(FAX) : 0086-0576-88177787
服务热线 : 400-8876858
http://www.chinajack.com



www.chinajack.com
2019.10

资料如有更改, 恕不另行通知, 以实物为准。
You will be not informed if the file has been revised. Please set sample as standard.