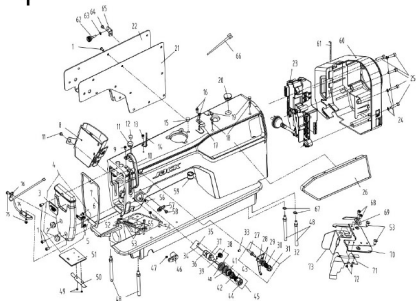
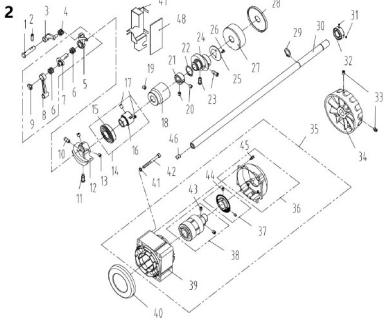


1



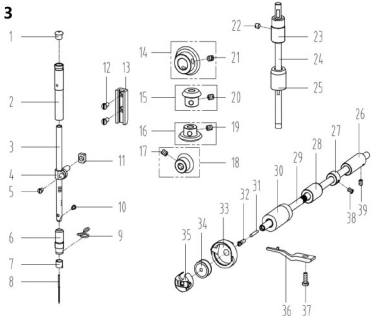
#### 1. 机壳、外装部件/Machine Frame & Miscellaneous Cover Components

序号 NO	公司件号 Part NO	名称 PartName	零件描述 Description	数量 Number
1	101511001	螺钉SM3/16"×28 L=9	Screw SM3/16"×28 L=9	14
2	10122003	胶板调节孔螺塞	Rubber plug	2
3	115037001	商标牌	Head card	1
4	930000553	面板(喷漆)	Face plate asm	1
5	13813005	左线钩	Thread guide left	1
6	101511007	螺钉SM11/64"×40 L=6	Screw SM11/64"×40 L=6	1
7	115022002	面板垫	Face plate gasket	1
8	11283001200	脚踏开关组件(脚座)	Three switch components	1
9	101511004	螺钉SM3/16"×28 L=7	Screw SM3/16"×28 L=7	2
10	13812018	挑线杆防护罩	Thread take-up lever cover	1
11	10122004	针杆白胶螺孔塞	Rubber plug	1
12	10122005	挑线连杆销螺孔塞	Rubber plug	1
13	101511004	螺钉SM3/16"×28 L=7	Screw SM3/16"×28 L=7	1
14	13512004	三孔线钩	3-hole thread guide	1
15	10122005	挑线连杆销螺孔塞	Rubber plug	1
16	114511015	螺钉SM9/64"×40 L=6	Screw SM9/64"×40 L=6	2
17	11419001	剃线刀	Knife	1
18	138505001	螺钉M3 L=12	Screw M3 L=12	2
19	13822001	操作屏孔塞	Rubber plug	2
20	20722002	油圈	Rubber plug	1
21	112822001	后盖板垫	Side plate gasket	1
22	930000520	后盖板(喷漆)	Side plate	1
23	11283002800	一体机电控组件(壳邦)	Electronic control box	1
24	W01009	GB/T97.1-1985垫圈 5	Washer 5	3
25	114513001	螺钉(内六角)M5 L=20	Screw M5 L=20	5
26	11283002300	一体机电控面板组件(壳邦)	Control panel	1
27	13810008	小夹线器螺柱	Thread tension post	1
28	13812066	过线板	Thread tension guide plate	1
29	14112017	小夹线板	Thread tension disk	2
30	11227001	小夹线弹簧	Thread tension spring	1
31	141516019	小夹线器螺母	Thread tension nut	1
32	1411300400	小夹线器组件	Thread tension asm	1
33	138508006	螺钉SM3/16"×28 L=7	Screw SM3/16"×28 L=7	1
34	11326012	松线钉	Tension release pin	1
35	101515005	螺钉SM9/64"×40 L=5.5	Screw SM9/64"×40 L=5.5	1
36	10122014	挑线簧调节座O型圈	Rubber ring	1
37	10103011	挑线簧调节座	Thread tension base	1
38	10127001	挑线簧	Thread take-up spring	1
39	141530001	夹线螺钉	Thread tension post	1
40	14112015	夹线板	Thread tension disk	2
41	14112016	松线板	Disk stopper	1
42	10127002	夹线弹簧	Thread tension spring A	1
43	10112007	夹线制动板	Thread disk rotating stopper	1
44	141516013	夹线螺母	Thread tension nut	1
45	1411300300	夹线器组件	Thread tension asm	1
46	11493000300	电子夹线器组件	Nest less e-device	1
47	207514007	螺钉M4 L=6	Screw M4 L=6	1
48	101512001	底板支柱	Machine head stud	4
49	101511019	螺钉SM3/32"×56 L=2	Screw SM3/32"×56 L=2	2
50	10127009	推板簧	Slide plate spring	1
51	10115002	推板	Slide plate	1
52	12815001	针板1/8"	Needle plate (1/8")	1
	12815002	针板1/4"	Needle plate (1/4")	1
53	104517002	螺钉SM11/64"×40 L=6.5	Screw SM11/64"×40 L=6.5	4
54	11413011	固定式喂线钩	Thread guide	1
55	401516001	螺母SM9/64"×40	Nut SM9/64"×40	1
56	101515010	螺钉SM15/64"×28 L=10.5	Screw SM15/64"×28 L=10.5	1
57	10113004	右线钩	Thread guide right	1
58	101511007	螺钉SM11/64"×40 L=6	Screw SM11/64"×40 L=6	1
59	13822028	橡皮塞(二孔)	Rubber plug	1
60	115026002	电控罩夹销	Pin	1
61	138530007	侧盖螺钉	Screw	1
62	H05002	GB/T896-1986卡簧3	Snap ring 3	1
63	S04010	GB/T65-1985螺钉M4 L=5.5	Screw M4 L=5.5	1
64	13812109	侧盖固定板	Fixed plate	1
65	113811004	尼龙扎带	Cable band	6
66	W02004	垫片	Washer	2
67	401511040	螺钉SM9/64"×40 L=5	Screw SM9/64"×40 L=5	2
68	12812002	碎布屑导向U	Waste material U	1
69	12815004	辅助针板	Throat plate	1
70	12812026	碎布屑导向	Waste material	1
71	101511019	螺钉SM3/32"×56 L=2	Screw SM3/32"×56 L=2	2
72	12812028	碎布屑下料挡板	Blanking baffle	1
73	11283001600	面板LED灯	LED lamp	1
74	S05190	螺钉M3 L=6	Screw M3 L=6	2
75	195100014	U型线夹	U clip	1



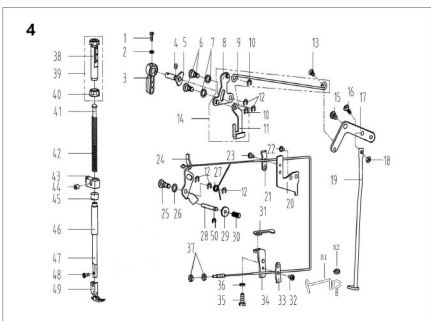
## 2. 上轴、挑线部件 / Main Shaft & Thread Take-up Components

序号 NO	公司件号 Part NO	名称 PartName	零件描述 Description	数量 Number
1	12226001	挑线连杆销	Thread take-up connecting rod pin	1
2	101515001	螺钉SM15x64"x28 L=15	Screw SM15x64"x28 L=15	1
3	12205001	挑线连杆	Needle bar crank rod	1
4	B04020	GB/T 276深沟球轴承695ZZ	Beating	1
5	1223800100	挑线杆分组件	Thread take-up lever asm	1
6	B04008	GB/278轴承698ZZ	Beating	2
7	13810012	挑线曲柄	Thread take-up crank	1
8	12205002	针杆连杆组件	Needle bar cradle rod	1
9	101517001	挑线曲柄螺钉SM9/64"x40 (左旋) L=4	Screw SM9/64"x40 (left hand) L=4.8	1
10	101515004	螺钉SM9/32"x28 L=16	Screw SM9/32"x28 L=16	1
11	101511003	螺钉SM9/32"x28 L=16	Screw SM9/32"x28 L=16	1
12	12804001	针杆曲柄	Needle bar crank	1
13	101515002	螺钉SM1/4"x40 L=6	Screw SM1/4"x40 L=6	2
14	1220300100	上轴前套组件	Main shaft front bushing	1
15	B10003	轴承	beating	1
16	12203001	主轴前套	Main shaft front bushing	1
17	S10009	螺钉M6 L=8	Screw M6 L=8	2
18	101515006	螺钉SM15/64"x28 L=7	Screw SM15/64"x28 L=7	1
19	12203002	主轴中轴套	Main shaft bushing mid	1
20	101514001	螺钉SM1/4"x40 L=6	Screw SM1/4"x40 L=6	4
21	10108001	上轴轴套	Main shaft thrust collar	2
22	H03002	挡圈20	Snap ring 20	1
23	101511013	螺钉SM1/4"x40 L=13	Screw SM1/4"x40 L=13	2
24	400092	送料偏心轮	Feed eccentric cam	1
25	10112017	送料偏心轮盖板	Cover plate	1
26	113511003	螺钉SM9/64"x40 L=5	Screw SM9/64"x40 L=5	2
27	13803002	上轴后轴套	The rear axle sleeve	1
28	10122105	上轴后套挡油封	Oil seal	1
29	H03001	GB/T894.1-1986挡圈15	Snap ring 15	1
30	112802004	上轴	Main shaft	1
31	S10026	GB/T80-1985螺钉M3 L=3	Screw M3 L=3	2
32	115008001	电机防尘套	Motor dust jacket	1
33	S10009	螺钉M6 L=8	Screw M6 L=8	2
34	302830	手轮(喷漆)	Handwheel	1
35	113833087	光电伺服电机(配套)	Motor	1
36	955100172	电机罩壳组件(配轴套)	Motor cover asm	1
37	95100116	电机光栅组件(配轴套)	Motor grating sensor asm	1
38	95100182	电机转子总成	Motor rotor	1
39	95100171	电机定子总成	Motor stator	1
40	13811060	电机绝缘防护罩	Motor insulation shield	1
41	W02058	GB 93-1987弹簧d5	Spring washer 5	3
42	S05901	螺钉M5 L=50	Screw M5 L=50	3
43	S09113	内螺钉M6 L=6	Screw M6 L=6	2
44	S09022	螺钉M3 L=4	Screw M3 L=4	2
45	951515011	螺钉组合件M3 L=12	Screw asm M3 L=12	5
46	10122012	上轴孔塞	Rubber plug	1
47	115012007	防油罩	Oil shield	1
48	14123001	防油罩油棉	Oil cotton	1



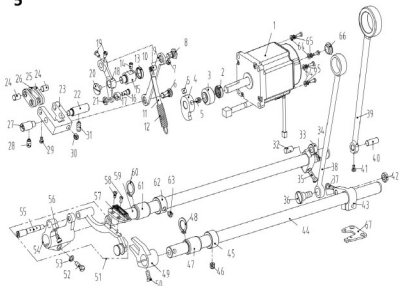
### 3. 针杆、空轴、下轴部件/Needle bar & Upright Shaft & Hook Driving Shaft Components

1	10122013	针杆上衬套孔塞	Rubber plug	1
2	14103009	针杆上衬套	Needle bar bushing upper	1
3	12802008	针杆	Needle bar	1
4	10138002	针杆连接柱	Needle bar connecting rod	1
5	101511005	螺钉SM9/64"x40 L=6	Screw SM9/64"x40 L=6	1
6	10103010	针杆下衬套	Needle bar bushing lower	1
7	12813002	针杆线勾	Needle bar thread guide	1
8	10117001	钩针DB×1 #14	Needle DB×1 #14	1
9	10413001	针杆下衬套线勾	Lower bushing thread guide	1
10	104511006	螺钉SM1/8"x44 L=4.5	Screw SM1/8"x44 L=4.5	1
11	10109001	针杆连接柱滑块	Slide block	1
12	101511008	螺钉SM11/64"x40 L=8	Screw SM11/64"x40 L=8	2
13	10109002	针杆接头滑块导轨	Needle bar guide	1
14	10425004	上轴伞齿轮	Upper shaft bevel gear	1
15	10425003	密轴上伞齿轮	Upper small bevel gear asm	1
16	10425002	密轴下伞齿轮	Lower large bevel gear asm	1
17	101515014	螺钉SM1/4"x40 L=7	Screw SM1/4"x40 L=7	2
18	10425001	下轴伞齿轮	Hook drive shaft bevel gear	1
19	101515014	螺钉SM1/4"x40 L=7	Screw SM1/4"x40 L=7	2
20	101515014	螺钉SM1/4"x40 L=7	Screw SM1/4"x40 L=7	2
21	101515014	螺钉SM1/4"x40 L=7	Screw SM1/4"x40 L=7	2
22	113511036	螺钉SM15/64"x28 L=4.7	Screw SM15/64"x28 L=4.7	1
23	10403020	密轴上轴套	Upright shaft bushing upper	1
24	10102007	密轴	Upright shaft	1
25	10403013	密轴下轴套	Upright shaft bushing lower	1
26	10403019	下轴后轴套	Hook driving shaft bushing back	1
27	10108002	下轴轴套	Hook driving shaft snap ring	1
28	113803006	下轴中套	Lower shaft middle bushing	1
29	13802061	下轴	Hook driving shaft	1
30	11303001	下轴前轴套	Hook driving shaft bushing front	1
31	13823001	下轴限油芯	Oil wick	1
32	101530005	下轴限油螺钉	Set screw	1
33	11418003	广源中摩科旋梭(扩大螺距范围)	Hook asm(Hirose)	1
34	10118003	梭心	Bobbin	1
35	11218504	梭壳	Bobbin case asm	1
36	10112016	旋梭定位钩	Finger positioner	1
37	116511005	螺钉SM11/64"x40 L=13	Screw SM11/64"x40 L=13	1
38	101511012	螺钉SM11/64"x40 L=4.8	Screw SM11/64"x40 L=4.8	2
39	113514020	螺钉SM11/64"x40 L=6	Screw SM11/64"x40 L=6	1



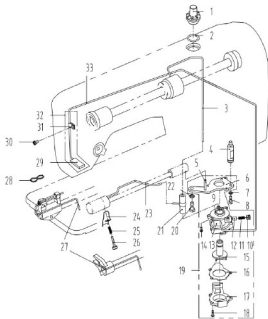
### 4. 压料分组件/Presser Bar Components

序号 NO	公司件号	Part NO	名称 PartName	零件描述 Description	数量 Number
1	101511010		螺钉SM9/64"x40 L=11	Screw SM9/64"x40 L=11	1
2	10128002		压脚板手螺钉垫圈	Washer	1
3	13811029		压脚板手	Hand lifter	1
4	O01004		O型圈	Rubber ring	1
5	1381000200		压脚板手凸轮分部件	Hand lifter cam asm.	1
6	101520001		前杠杆螺紋销	Screw	2
7	10128015		螺紋銷橡胶垫圈	Washer	2
8	1381203000		抬压脚前杠杆分部件	Lift front lever component	1
9	10112013		抬压脚拉杆	Knee lifter pull rod	1
10	H05003		GB/T896-1986挡圈 5	Snap ring 5	2
11	10112010		压脚升降板	Lifting plate	1
12	11329020		挡圈5	Snap ring 5	5
13	101520004		抬压脚前杠杆螺钉SM3/16"x32	Hinge Screw SM3/16"x32	1
14	1381203200		抬压脚前杠杆组件	Knee lifter lever asm	1
15	101520003		后杠杆轴位螺钉SM15/64"x28	Hinge screw SM15/64"x28	1
16	128520003		抬压脚后杠杆轴位螺钉SM11/64"x40	Hinge Screw SM11/64"x40	1
17	112812019圆形更改		抬压脚后杠杆	Knee lifter back lever	1
18	112516008		螺母SM11/64"x40	Nut SM11/64"x40	1
19	12812032		抬压脚连接杆	Knee lifter connecting rod	1
20	11212009		松线导管上支架	Wire release bracket upper	1
21	11212008		松线导管压板	Wire release press plate	1
22	101511004		螺钉SM3/16"x28 L=7	Screw SM3/16"x28 L=7	1
23	113511004		螺钉M4 L=8	Screw M4 L=8	1
24	11281201800		松线顶板组件	Wire release plate asm	1
25	101520002		松线顶板螺紋销	Wire release plate pin	1
26	10128015		螺紋銷橡胶垫圈	Washer	1
27	11427009		松线顶板复位簧	Reset spring	1
28	10126003		松线轴钉	Thread release supporting pin	1
29	10128001		松线轴钉垫片	Washer	1
30	10127003		松线轴钉弹簧	Spring	1
31	10112022		旋梭供油管压板	Tube press plate	1
32	113511004		螺钉M4 L=8	Screw M4 L=8	1
33	11212008		松线导管压板	Wire presser	1
34	11312001		松线导管下支架	Wire release bracket lower	1
35	116530003		螺钉SM15/64"x28 L=14.5	Screw SM15/64"x28 L=14.5	1
36	W02004		弹性垫圈	Spring washer	1
37	113512001		螺母M5	Nut M5	2
38	13811027		调压螺钉SM1/2"x28	Press regulating screw SM1/2"x28	1
39	1381102700		调压螺钉组件	Presser regulating screw nut asm	1
40	13811028		调压螺母	Press regulating nut	1
41	10102003		调压导杆	Press regulating guide bar	1
42	113827010		调压簧	Press regulating spring	1
43	13809030		压杆导架	Presser bar guide bracket	1
44	101515007		螺钉SM1/4"x40 L=8	Screw SM1/4"x40 L=8	1
45	10122112		压杆的油套	Pressure bar oil cover	1
46	10103012		压杆衬套	Presser bar bushing lower	1
47	12802002		压杆	Presser bar	1
48	101511009		螺钉SM9/64"x40 L=10.5	Screw SM9/64"x40 L=10.5	1
49	1281600200		活压脚部件 (1/8")	Presser foot asm (1/8")	1
	1281600300		活压脚部件 (3/16")	Presser foot asm (3/16")	1
50	H05012		挡圈4	Snap ring 4	1
51	115027001		拉线固定簧	Spring	1
52	409516020		螺母SM15/64"x28	Nut SM15/64"x28	1



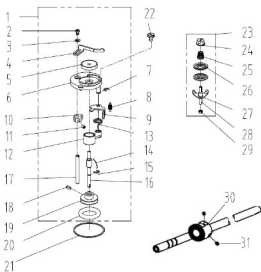
### 5. 送料部件/Feed Mechanism Components

序号 NO	公司件号	Part NO	名称	PartName	零件描述	Description	数量	Number
1	115033006		步进电机 (众邦)		Stepper motor (Z)		1	
2	114922002		步进电机轴套密封O10×Φ16×5		Stepper motor bushing oil seal		1	
3	114903001		步进电机轴套		Stepper motor bushing		1	
4	115410001		针距凸轮		Needle pitch cam		1	
5	S10028		螺钉M5 L=6		Screw M5 L=6		2	
6	114926001		针距曲柄销		Needle gage crank pin		1	
7	114516004		螺母SM11/64"×40		Nut SM11/64"×40		1	
8	115426001		针距曲柄销		Needle gage crank pin		1	
9	115405001		针距调节连杆		Needle pitch adjusting link		1	
10	114530007		弹簧固定螺钉		Spring mounting screw		1	
11	115421001		油管		Tubing		1	
12	115427001		针距复位簧		Pitch reset spring		1	
13	20628023		防油塞		Oil proof plug		1	
14	138508006		螺钉SM3/16"×28 L=7		Screw SM3/16"×28 L=7		1	
15	115426003		针距曲柄支撑销		Pitch crank support pin		1	
16	136520003		滚轮螺钉		Roller screw		1	
17	13609002		滚轮		Roller		1	
18	115404003		针距曲柄		Needle gage crank pin		1	
19	101511005		螺钉SM9/64"×40 L=6		Screw SM9/64"×40 L=6		2	
20	101511023		送料调节器轴端螺钉		Feed regulator shaft end screw		1	
21	136517005		滚轮螺母		Roller nut		1	
22	10126010		送料摆动板右销		Right pin		1	
23	114901001		送料摆动板座		Feed shaking plate		1	
24	10126007		短接轴连接杆销		Connecting pin		2	
25	10109005		送料短摆动板		Feed short shaking plate		2	
26	10109004		送料长摆动板		Feed long shaking plate		2	
27	10126009		送料摆动板左销		Left pin		1	
28	101515001		螺钉SM15/64"×28 L=10.5		Screw SM15/64"×28 L=10.5		1	
29	101511005		螺钉SM9/64"×40 L=6		Screw SM9/64"×40 L=6		2	
30	101514001		螺钉SM1/4"×40 L=6		Screw SM1/4"×40 L=6		1	
31	113514010		螺钉SM15/64"×28 L=12		Screw SM15/64"×28 L=12		1	
32	10126011		送料曲柄销		Feed rocker crank pin		1	
33	10104002		送料曲柄		Feed rocker shaft crank		1	
34	101511005		螺钉SM9/64"×40 L=6		Screw SM9/64"×40 L=6		1	
35	101511016		螺钉SM3/16"×28 L=14		Screw SM3/16"×28 L=14		1	
36	101520005		拾牙连杆轴位螺钉SM9/32"×28		hinge screw SM9/32"×28		1	
37	101511016		螺钉SM3/16"×28 L=14		Screw SM3/16"×28 L=14		1	
38	115405003		拾牙连杆		Connecting rod		1	
39	115405002		送料连杆		Rocker shaft connecting rod		1	
40	10126006		送料连杆销		Connecting rod pin		1	
41	101511005		螺钉SM9/64"×40 L=6		Screw SM9/64"×40 L=6		1	
42	101516003		拾牙连杆轴位螺母 SM9/32"×28		Hinge screw SM9/32"×28		1	
43	10104004		拾牙后曲柄		Feed driving shaft crank		1	
44	13802001		拾牙轴		Feed driving shaft		1	
45	10108003		送料轴挡圈		Feed rocker shaft snap ring		1	
46	101515002		螺钉SM1/4"×40 L=6		Screw SM1/4"×40 L=6		2	
47	10403015		轴套		Bushing		1	
48	H03001		GB/T894.1-1986挡圈 15		Snap ring 15		1	
49	10104003		拾牙叉形曲柄		Snap ring 15		1	
50	116511005		螺钉SM11/64"×40 L=13		Screw SM11/64"×40 L=13		1	
51	11380700300		牙架组件		Feed bar asm		1	
52	1138NS30004		螺钉SM11/64"×40 L=13		Screw SM11/64"×40 L=13		1	
53	10128003		牙架座螺钉垫圈		Washer		1	
54	480095		牙架座		Feed bar bed		1	
55	10401007		牙架销(自制)		Feed bar pin		1	
56	101511025		螺钉SM11/64"×40 L=7		Screw SM11/64"×40 L=7		1	
57	12814001		送料牙		Feed dog		1	
	12814002		送料牙 (1/4")		Feed dog (H)		1	
58	101511018		螺钉 SM1/8"×44 L=6		Screw SM1/8"×44 L=6		2	
59	10102008		送料轴		Feed rocker shaft		1	
60	H03001		GB/T894.1-1986挡圈 15		Snap ring 15		1	
61	10403015		轴套		Bushing		1	
62	10108003		送料轴挡圈		Feed rocker shaft snap ring		1	
63	101515002		螺钉SM1/4"×40 L=6		Screw SM1/4"×40 L=6		2	
64	10128003		垫片		washer		4	
65	W03002		弹簧垫圈		Spring washer		4	
66	10122003		盖板调节孔橡皮塞		Rubber plug		1	
67	13812081		拉簧固定板		Spring fixing plate		1	



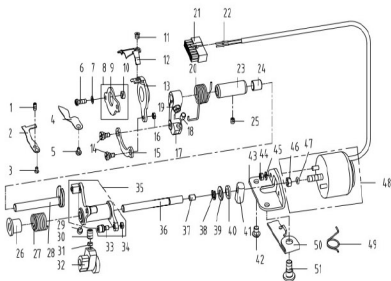
## 6. 润滑部件/Oil Lubrication Components

序号 NO	公司件号 Part NO	名称 PartName	零件描述 Description	数量 Number
1	11211004	油窗	Oil sight window	1
2	10122019	油窗O形圈	Rubber ring	1
3	14121001	上轴供油管	Main shaft oil tube	1
4	112530005	油泵连接螺柱	Oil pump connecting stud	1
5	10121001	供油管	Hook oil tube	1
6	10112020	油泵安装板	Oil pump installing base	1
7	W03002	弹簧垫圈 5	Spring washer 5	1
8	209512001	螺钉SM11/64"×40 L=10.5	Screw SM11/64"×40 L=10.5	1
9	10103022	油泵体衬套	Oil pump bushing	1
10	101530007	螺钉M7X0.75 L=5	Screw M7X0.75 L=5	1
11	10127013	柱塞簧	Plunger spring	1
12	10122018	回油柱塞	Plunger	1
13	10120001	油泵体	Oil pump	1
14	504093	油泵螺钉M3 L=6	Screw M3 L=6	3
15	10111003	油泵叶轮	Oil pump impeller	1
16	10112021	油泵叶轮托板	Oil pump impeller cover	1
17	10111007	油泵盖	Lubricating oil pump cover	1
18	101530006	螺钉ST2.9 L=10	Screw ST2.9 L=10	3
19	1012000100	油泵分部件	Lubricating oil pump component	1
20	116530003	螺钉SM15/64"×28 L=14.5	Screw SM15/64"×28 L=14.5	1
21	10136001	供油管接头	Rubber joint	1
22	W02004	GB/T93-1987垫圈M6	Spring Washer M6	1
23	13821015	驱动供油管	Hook driving shaft oil tube	1
24	11312031	挡油罩	Oil shield cover	1
25	13827014	油量调节螺钉弹簧	Spring	1
26	113530001	螺钉SM11/64"×40 L=19	Screw SM11/64"×40 L=19	1
27	10423005	油线	Oil wick	1
28	10127015	回油毡夹	Oil felt clamp	1
29	10123006	回油毡	Oil felt felt	1
30	101511004	螺钉SM3/16"×28 L=7	Screw SM3/16"×28 L=7	1
31	10112023	回油管夹	Oil tube clamp	1
32	11502100100	回油管组件	Oil return tube component	1
33	115021002	回油管	Oil return tube	1



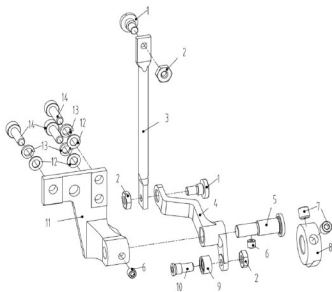
## 7. 绕线部件/ Winding Components

序号 NO	公司件号 Part NO	名称 PartName	零件描述 Description	数量 Number
1	1383103900	绕线器组件	Bobbin winder asm	1
2	114511008	螺钉M4 L=6	Screw M4 L=6	1
3	W01142	垫圈4	Washer 4	1
4	10113030	压线控制板	Thread press control plate	1
5	10111120	绕线衬垫	Winding pad	1
6	13831101	绕线器装置底座	Bobbin winder bed	1
7	H05006	开口挡圈5	Snap ring 5	1
8	10127061	复位板拉簧	Spring	1
9	13812110	调节板	Regulating plate	1
10	10110030	绕线凸轮	Bobbin winder cam	1
11	509045	螺钉M5 L=5	Screw M5 L=5	1
12	1380510600	绕线器连杆组件	Bobbin winder connecting rod	1
13	13827103	调线复位簧	Spring	1
14	10127060	弹簧	Spring	1
15	GB/T 896-1986	开口挡圈4	Snap ring 4	1
16	13802111	绕线器主轴	Bobbin winder main shaft	1
17	13802026	绕线凸轮轴	Bobbin winder cam shaft	1
18	509103	螺钉M4 L=4	Screw M4 L=4	2
19	13831102	绕线轮	Bobbin winder wheel	1
20	O01110	O形圈	Ring	1
21	11422062	密封垫	Washer	1
22	114511003	螺钉SM3/16"×28 L=10	Screw SM3/16"×28 L=10	3
23	1411300600	底线夹线器	Bobbin thread tension asm	1
24	141516019	夹线螺母	Thread tension nut	1
25	11427006	小夹线弹簧	Spring	1
26	14112015	夹线板	Thread tension disk	2
27	11413022	夹线过线板	Thread tension guide plate	1
28	112513004	夹线螺钉	Screw	1
29	114516001	螺母SM11/64"×40	Nut SM11/64"×40	1
30	11435013	绕线器驱动轮	Driving wheel	1
31	S10009	螺钉M6 L=8	Screw M6 L=8	2



## 8. 剪线部件/Thread Trimmer Components

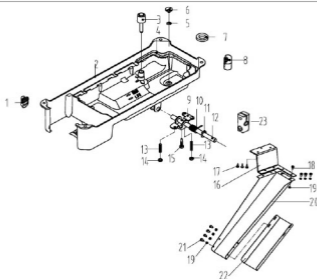
序号 NO	公司件号 Part NO	名称 PartName	零件描述 Description	数量 Number
1	113515002	螺钉SM1/8"x44 L=9.5	Screw SM1/8"x44 L=9.5	1
2	11319001	定刀	Secant knife	1
3	113517001	螺钉SM9/64"x40	Screw SM9/64"x40	1
4	11312003	护针片	Needle guard patch	1
5	201511009	螺钉SM9/64"x40 L=5.5	Screw SM9/64"x40 L=5.5	1
6	113511001	螺钉SM11/64"x40 L=12	Screw SM11/64"x40 L=12	2
7	10128003	牙架座螺钉垫圈	Washer	2
8	1381203100	刀架压板组件	Knife bracket press component	1
9	13812031	刀架压板	Knife bracket press	1
10	13803012	短套	Short bushing	2
11	113517002	螺钉SM11/64"x40 L=4.4	Screw SM11/64"x40 L=4.4	2
12	11319002	活动刀	Motorial knife	1
13	11307001	剪线刀架	Knife bracket	1
14	113520001	螺钉SM11/64"x40	Hinge Screw SM11/64"x40	2
15	11312005	剪线连杆	Connecting rod	1
16	114516004	螺母SM11/64"x40	Nut SM11/64"x40	1
17	11304001	剪线驱动曲柄	Crank	1
18	113822014	驱动曲柄止动块	Crank driver stopper block	1
19	S05004	螺钉M5 L=14	Screw M5 L=14	1
20	11327001	剪线复位弹簧	Spring	1
21	11230004	14孔接线器	Plug	1
22	11230005	电线插针	Pin	1
23	11303003	切线轴套	Thread cutting shaft bushing	1
24	11503005	驱动曲柄轴衬套	Crank drive shaft bushing	1
25	113514020	螺钉SM11/64"x40 L=6	Screw SM11/64"x40 L=6	1
26	11322002	田黄盖	Spring cover	1
27	11327002	弹簧	Spring	1
28	11304002	切线凸轮曲柄轴	Crank shaft	1
29	101514001	螺钉SM1/4" x40 L=6	Screw SM1/4" x40 L=6	1
30	116514005	螺钉SM1/4" x40 L=10	Screw SM1/4" x40 L=10	2
31	11309030	凸轮顶柱	Push rod	2
32	11310004	剪线凸轮	Cam	1
33	11324001	滚柱	Rolling pin	1
34	1138N516001	螺母SM11/64"x40	Nut SM11/64"x40	1
35	1130400500	剪线驱动组件	Thread trimmer drive asm	1
36	11302002	剪线驱动轴	Shaft	1
37	11322001	驱动曲柄止动块	Positioning block	1
38	H05013	GB/T896-1986挡圈6	Snap ring 6	1
39	10112003	针杆曲柄护板	Counter weight protecting	1
40	11322003	电磁铁缓冲器	Solenoid cushion rubber	1
41	11309001	切线电磁铁顶销	Solenoid pin	1
42	101511026	螺钉SM15/64"x28 L=9	Screw SM15/64"x28 L=9	1
43	11312006	切线电磁铁支架	Solenoid bracket	1
44	N01005	螺母M4	Nut M4	2
45	W02002	GB/T93-1987 弹簧垫圈4	Washer 4	2
46	112516006	螺母SM1/4"x40	Nut SM1/4"x40	1
47	113822005	垫圈	Washer	1
48	11503000400	剪线电磁铁组件	Thread trimmer solenoid asm.	1
49	11327003	弹簧	Spring	1
50	11312007	松线座	Thread release bed	1
51	113520002	螺钉SM1/4"x28	Screw SM1/4"x28	1



## 9. 步进抬压脚部件/Stepping Auto Lifter Components

序号 NO	公司件号 Part NO	名称 PartName	零件描述 Description	数量 Number
1	1150N520001	抬压脚顶杆螺钉	Presser foot lifter screw	2
2	136517005	滚轮螺母	Roller nut	3
3	115412001	自动抬压脚顶杆	Automatic presser foot lifter	1
4	115404002	抬压脚驱动曲柄	Driving crank of presser foot	1
5	115426002	抬压脚驱动曲柄销	Lifting presser foot to drive crank pin	1
6	S10014	螺钉M5 L=4	Screw M5 L=4	2
7	S10028	螺钉M5 L=6	Screw M5 L=6	2
8	115410002	抬压脚凸轮	Presser foot cam	1
9	13609002	滚轮	Roller	1
10	136520003	滚轮螺钉	Roller screw	1
11	115401001	抬压脚曲柄支架	Crank bracket for presser foot lifting	1
12	10128003	垫片	washer	3
13	W03002	弹簧垫圈 5	Spring washer 5	3
14	409S11020	螺钉SM3/16" x28 L=15.5	Screw SM3/16" x28 L=15.5	3

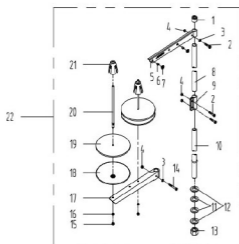
## 10



10. 油盘、膝抬压脚分组件/Oil Reservoir &amp; Knee Lifter Components

序号 NO	公司件号 Part NO	名称 PartName	零件描述 Description	数量 Number
1	10122022	油盘座垫	Oil reservoir rubber cushion	2
2	12801006	油盘	Oil reservoir	1
3	10111005	抬压脚顶杆	Knee lifter push rod	1
4	10122020	油盘垫	Oil Reservoir gasket	1
5	10122021	O形圈	Rubber ring	1
6	101511028	螺钉SM5/16"×24 L=7	Screw SM5/16"×24 L=7	1
7	10131001	油盘磁铁	Oil reservoir magnet	1
8	10122023	油盘支架	Oil reservoir rubber cushion	2
9	10112027	抬压脚双向曲柄	Knee lifter crank	1
10	10127016	双向曲柄弹簧	Knee lifter spring	1
11	H05010	GB/T896-1986挡圈10	Snap ring 10	1
12	10102011	抬压脚轴	Knee lifter shaft	1
13	101515012	螺钉M6 L=30	Screw M6 L=30	2
14	101516004	螺母M6 L=4	Nut M6 L=4	2
15	101512002	螺钉M6 L=26	Screw M6 L=26	1
16	301012	导屑滑板支架	Wood material chute holder	1
17	128530001	螺钉M4 L=16	Wood screwM4 L=16	3
18	513001	螺钉M4 L=10	Screw M4 L=10	4
19	N01015	螺母M4	Nut M4	8
20	301011	导屑滑板	Wood material chate	1
21	513002	螺钉M4 L=8	Screw M4 L=8	4
22	301015	导屑连接滑板	Waste material cube	1
23	10101008	抬压脚轴杆节头	Bearing bracket	1

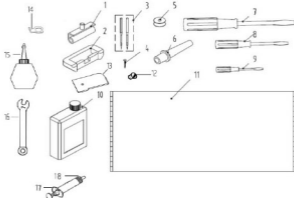
## 11(1)



11. 机头附件(1)-线架组件/Machine Head Accessories (1)-Thread Stand Components

序号 NO	公司件号 Part NO	名称 PartName	零件描述 Description	数量 Number
1	20131019	线架杆顶部防护橡皮	Spool rest rod rubber cap	1
2	S04050	螺栓M5 L=16	Screw M5 L=16	3
3	W01047	垫圈M5	Washer M5	2
4	N01034	螺母M5	Nut M5	4
5	13831022	上线架过线杆	Spool rest arm upper	1
6	10113011	过线圈(内)	Thread guide ring	2
7	10113010	过线圈(外)	Thread guide ring	2
8	13831019	线架杆上节	Spool rest rod upper	1
9	13831021	线架杆接头	Spool rest rod joint	1
10	13831020	线架杆下节	Spool rest rod lower	1
11	10122106	橡胶垫圈	Spool rest rod rubber ring	2
12	W01048	垫圈M16	Washer M16	2
13	N02008	螺母 M16	Spool rest rod nut M16	1
14	S04051	螺栓M5	Spool rest arm lower screw M5	1
15	N01034	螺母M5	Nut M5	2
16	W03002	弹簧垫圈 5	Spring washer 5	2
17	13831023	下线架过线杆	Spool rest arm lower	1
18	13831024	线盘	Spool rest	2
19	20131010	线盘垫	Spool rest cushion	2
20	20131006	线盘钉	Spool pin	2
21	13831025	线盘防松垫	Spool retainer	2
22	1383100300	线架组件	Thread stand asm.	1

## 11(2)

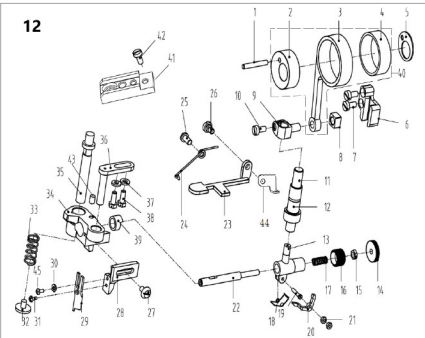


11. 机头附件 (2) /Machine Head Accessories (2)

序号 NO	公司件号 Part NO	名称 PartName	零件描述 Description	数量 Number
1	1011203100	机头连接钩部件	Hinge component	2
2	10122060	机头连接钩座	Head connecting rubber cushion	2
3	10117001	机针DB×1#14	NeedleDB×1#14	4
4	101530010	机头连接钩座钉 (P19)	Nail (p19)	6
5	10118003	梭心	Bobbin	2
6	10111011	机头支柱	Machine head rest pin	1
7	20731047	螺丝刀 (大)	Screw driver (large)	1
8	10131003	螺丝刀 (中)	Screw driver (medium)	1

## 11. 机头附件 (2) /Machine Head Accessories (2)

序号 NO	公司件号 Part NO	名称 PartName	零件描述 Description	数量 Number
9	10131004	螺丝刀 (小)	Screw driver (small)	1
10	1011101200	油箱部件	Oiler component	1
11	114310001	防尘罩	Dust cover	1
12	305511005	螺钉SM9/64"×40 L=4	Screw SM9/64"×40 L=4	1
13	12815006	针板盖	Needle plate cover	1
14	12812004	压板弹簧	Spring	1
15	20131038	小油壶	Oiler component	1
16	20131042	扳手 (7mm)	Wrench (7mm)	1
17	11411029	注射器	Syringe	1
18	11431038	进口黄油	Butter	0.003Kg



## 12. 切刀专用部件 Knife Components

序号 NO	公司件号 Part NO	名称 PartName	零件描述 Description	数量 Number
1	12726001	切刀凸轮销	Pin	1
2	12710002	切刀凸轮	Knife cam	1
3	12705003	切刀连杆	Knife connecting rod	1
4	1272400100	切刀连杆轴承	Knife connecting rod bearing	1
5	12812005	切刀凸轮盖板	Cover plate	1
6	12809001	切刀滑块导轨	Slide block guide rail	1
7	101511020	螺钉SM11/64"×40 L=10.5	Screw SM11/64"×40 L=10.5	2
8	12809002	切刀滑块	Slide block	1
9	12804002	切刀轴连接柱	Knife driving stud connection asm	1
10	209511009	螺钉SM9/64"×40 L=9.5	Screw SM9/64"×40 L=9.5	1
11	12802006	切刀轴	Knife shaft	1
12	12803001	切刀轴衬套	Bushing	1
13	12804003	切刀离合支架	Knife driving rod clutch bracket	1
14	12811001	切刀离合旋钮	Knob	1
15	201516003	螺母SM11/64"×40	Nut SM11/64"×40	1
16	12801002	切刀离合帽盖	Cap	1
17	12827001	切刀离合弹簧	Spring	1
18	12827002	切刀放松杆簧	Spring	1
19	12826002	切刀放松杆销	Pin	1
20	12805001	切刀放松杆	Knife release rod	1
21	N01018	六角螺母M2.5	Nut M2.5	2
22	12826001	切刀离合销	Knife driving rod clutch pin	1
23	12812031	切刀座下压手柄	Knife bed component pull down handle	1
24	12827008	扭力弹簧	Spring	1
25	128511001	螺钉M3/16"×28 L=14	Screw SM3/16"×28 L=14	1
26	128520005	切刀手柄轴位螺钉SM11/64"×40	Axial Screw SM11/64"×40	1
27	128517001	螺钉SM11/64"×40 L=8	Screw SM11/64"×40 L=8	1
28	12801004	切刀架	Knife bracket	1
29	112819002 图形更改	上切刀	Knife	1
30	W01188 图形更改	平垫圈3.2×7×0.8	Press plate	1
31	101511018	螺钉SM1/8"×44 L=6	Screw SM1/8"×44 L=6	1
32	101511023	螺钉SM3/16"×28 L=6.5	Screw SM3/16"×28 L=6.5	1
33	112827001	切刀座复位簧	Spring	1
34	1280100300	切刀座部件	Knife bed component	1
35	12802021	切刀座轴	Knife bed shaft	1
36	12805004	切刀座导杆	Knife bed guide rod	1
37	12828001	切刀座导杆螺钉垫圈	Washer	2
38	209512001	螺钉SM11/64"×40 L=8	Screw SM11/64"×40 L=8	2
39	12803003	切刀座部件右套	Knife bed component bushing right	1
40	1270500300	切刀连杆组件	Knife connecting rod asm	1
41	12804004	定刀片固定架	Secant knife fixed mount	1
42	101511008	螺钉SM11/64"×40 L=8	Screw SM11/64"×40 L=8	1
43	125515003	螺钉SM11/64"×40 L=5	Screw SM11/64"×40 L=5	1
44	112812012	电线压板	Wire clamp	1
45	301517002	偏心轴螺钉	Screw SM1/8"×44 L=6	1

## 杰克缝纫机股份有限公司

杰克缝纫机  
全球销量遥遥领先

公司地址(Address of Company):

中国浙江省台州市椒江区三甲东大道东段1008号  
NO.1008, DONGHAI AVENUE EAST, JIAOJIANG DISTRICT,TAIZHOU CITY, ZHEJIANG

邮编( Zip Code ): 318000

国内销售部(Domestic Trade Department):

电话(TEL): 0086-0576-8817778 8817779

传真(FAX): 0086-0576-8817778

国际贸易部(International Trade Department):

电话(TEL): 0086-0576-8817778 8817774

传真(FAX): 0086-0576-8817778

服务热线: 400-8876858

http://www.chinajack.com

资料如有更改, 恕不另行通知, 以实物为准。

You will be not informed if the file has been revised.Please set sample as standard.

日期: 2021.06.23



请扫描下方二维码