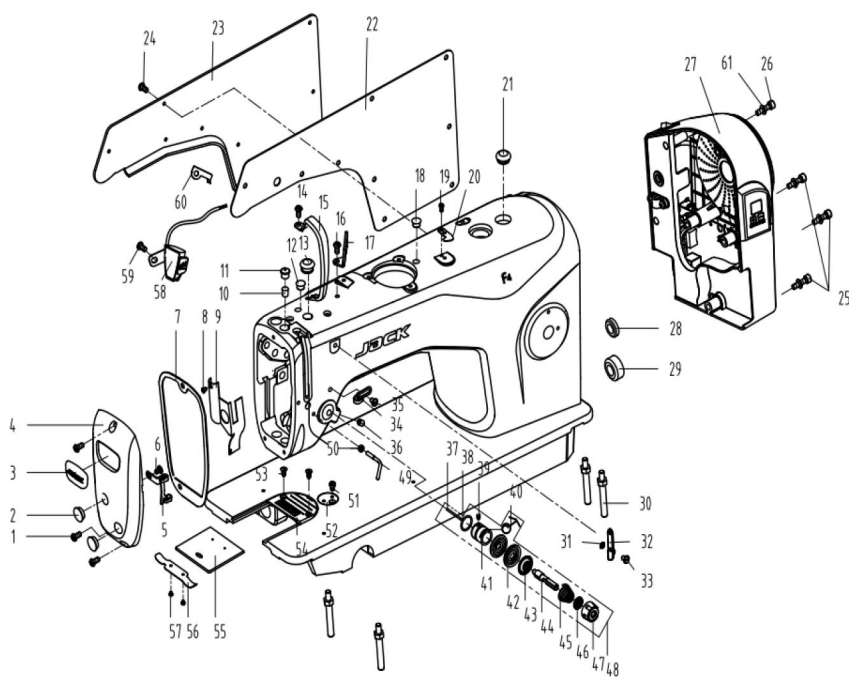


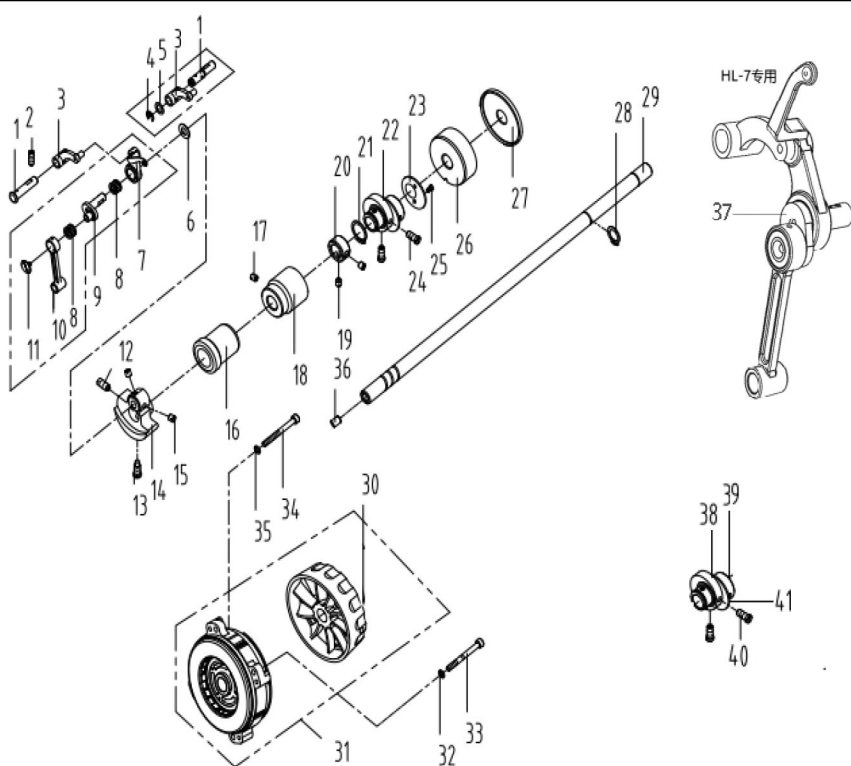
1



#### 1. 机壳、外装分组件/Machine Frame & Miscellaneous Cover Components

序号 NO	公司件号	Part NO	名称	PartName	零件描述	Description	数量	Number
1	101S11001		螺钉SM3/16"×28 L=9		Screw SM3/16"×28 L=9		3	
2	10122003		面板调节孔螺塞		Rubber plug		2	
3	13837002		商标牌		Head card		1	
4	10112071		面板		Face plate		1	
5	13813005		左线钩		Thread guide left		1	
6	101S11007		螺钉SM11/64"×40 L=6		Screw SM11/64"×40 L=6		1	
7	10122114		面板垫		Face plate gasket		1	
8	101S11027		螺钉SM1/8"×44 L=3.4		Screw SM1/8"×44 L=3.4		1	
9	11412082		面部防油板		Face oil shield asm		1	
10	10123002		针杆上毡塞		Rubber plug		1	
11	10122013		针杆上衬套孔塞		Rubber plug		1	
12	10122005		挑线连杆销螺孔塞		Rubber plug		1	
13	10122004		针杆曲柄螺孔塞		Rubber plug		1	
14	101S11004		螺钉SM3/16"×28 L=7		Screw SM3/16"×28 L=7		1	
15	13812018		挑线杆防护罩		Thread take-up lever cover		1	
16	101S11004		螺钉SM3/16"×28 L=7		Screw SM3/16"×28 L=7		1	
17	13512004		三孔线勾		3-hole thread guide		1	
18	10122005		挑线连杆销螺孔塞		Rubber plug		1	
19	114S11015		螺钉SM9/64"×40 L=6		Screw SM9/64"×40 L=6		2	
20	11419001		割线刀		Knife		1	
21	20722002		油塞		Rubber plug		1	
22	10122113		后窗板垫		Side plate gasket		1	
23	10112070		后窗板		Side plate		1	
24	101S11001		螺钉SM3/16"×28 L=9		Screw SM3/16"×28 L=9		11	
25	114S30001		螺栓M5 L=25		Screw M5 L=25		3	
26	114S13001		螺钉M5 L=20		Screw M5 L=20		1	
27	10133100		平缝一体机控制器		Electronic control box		1	
28	10122006		送料调节器孔塞		Rubber plug		1	
29	10122007		下轴工艺孔塞		Rubber plug		1	
30	101S12001		底板支柱		Machine head stud Electronic		4	
31	W06001		双面内垫圈		Washer		1	
32	10113041		二眼线勾		2-hole thread guide		1	
33	206S11002		螺钉SM9/64"×40 L=10		Screw SM9/64"×40 L=10		1	
34	10113004		右线钩		Thread guide right		1	
35	101S11007		螺钉SM11/64"×40 L=6		Screw SM11/64"×40 L=6		1	
36	101S15010		螺钉SM15/64"×28 L=10.5		Screw SM15/64"×28 L=10.5		1	
37	10126030		松线钉		Tension release pin		1	
38	10122014		挑线簧调节座O型圈		Rubber ring		1	
39	101S15005		螺钉SM9/64"×40 L=5.5		Screw SM9/64"×40 L=5.5		1	
40	10127001		挑线簧		Thread take-up spring		1	
41	10127031		挑线簧 (厚料)		Thread take-up spring (H)		1	
42	10103011		挑线簧调节座		Thread tension base		1	
43	10112005		夹线板		Thread tension disk		2	
44	10112006		松线板		Disk stopper		1	
45	101S30002		夹线螺钉		Thread tension post		1	
46	10127002		夹线弹簧		Thread tension spring		1	
47	11427050		夹线弹簧 (厚料)		Thread tension spring (H)		1	
48	10112007		夹线制动板		Thread disk rotating stopper		1	
49	138S16013		夹线螺母		Thread tension nut		1	
50	1381300500		夹线器组件		Thread tension asm		1	
51	1381300700		夹线器组件 (厚料)		Thread tension asm (H)		1	
52	11413011		固定式缓线钩		Thread guide		1	
53	401S16001		螺母SM9/64"×40		Nut SM9/64"×40		1	
54	101s11002		螺钉SM11/64"×40 L=5.5		Screw SM11/64"×40 L=5.5		1	
55	13812111		卷边器座		Ruler stop seat		1	
56	101S17002		螺钉SM11/64"×40 L=5		Screw SM11/64"×40 L=5		2	
57	11414006		针板		Needle plate		1	
58	10815001		针板 (-7)		Needle plate (-7)		1	
59	11315001		针板 (厚料)		Needle plate (H)		1	
60	13615003		针板 (HL-7)		Needle plate (HL-7)		1	
61	10115002		推板		Slide plate		1	
62	10127009		推板簧		Slide plate spring		1	
63	101S11019		螺钉SM3/32"×56 L=2		Screw SM3/32"×56 L=2		2	
64	1013001900		LED开关灯组件		Auto reverse feed switch asm		1	
65	101S11001		螺钉SM3/16"×28 L=9		Screw SM3/16"×28 L=9		1	
66	10113051		电线压板		Cord hold		1	
67	W01009		垫圈 5		Washer 5		4	

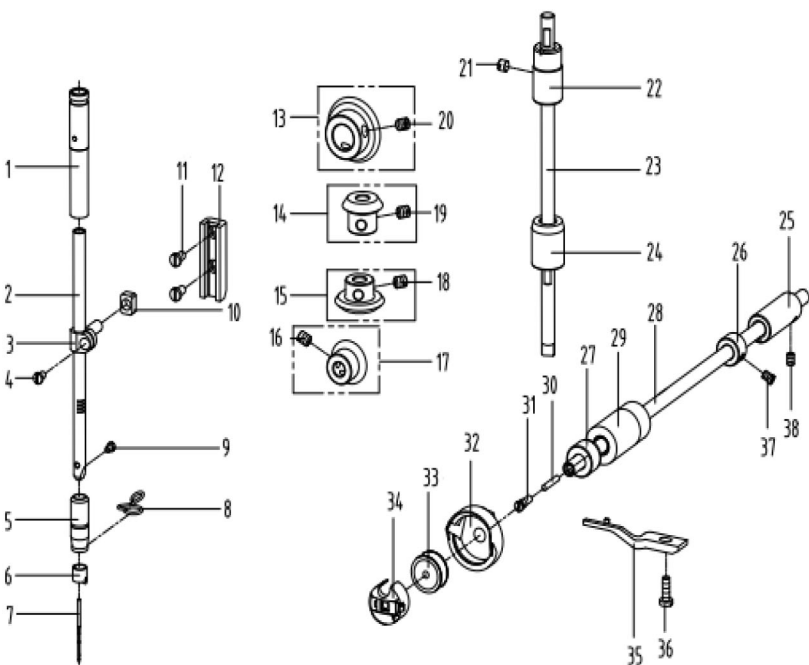
2



## 2. 上轴挑线分组件/Main Shaft & Thread Take-up Components

序号 NO	公司件号 Part NO	名称 PartName	零件描述 Description	数量 Number
1	10126001	挑线连杆销 (厚料)	Thread take-up connecting rod pin (H)	1
	11326013	挑线连杆销	Thread take-up connecting rod pin	1
	11326010	挑线连杆销 (-7)	Thread take-up connecting rod pin (-7)	1
2	101S15001	螺钉SM15/64"x28 L=15	Screw SM15/64"x28 L=15	1
3	10105001	挑线连杆 (厚料)	Thread take-up connecting rod (H)	1
	11305010	挑线连杆	Thread take-up connecting rod	1
4	H05013	挡圈6	Snap ring 6	1
5	11328010	垫片	Washer	1
6	10112003	针杆曲柄护板	Needle bar crank protecting plate	1
7	1013800100	挑线杆分组件	Thread take-up lever asm	1
	1133800200	挑线杆组件 (厚料、-7)	Thread take-up lever asm (H & -7)	1
8	10124001	挑线杆滚针轴承	Needle bearing	1
9	11310012	挑线曲柄分部件	Thread take-up crank	1
	1011000400	挑线曲柄分部件 (厚料)	Thread take-up crank (H)	1
	11310010	挑线曲柄分部件 (-7)	Thread take-up crank (-7)	1
10	10105002	针杆连杆	Needle bar connecting rod	1
11	101S17001	螺钉SM9/64"x40 (左旋) L=4.8	Screw SM9/64"x40 (left hand) L=4.8	1
12	101S15004	螺钉SM9/32"x28 L=16	Screw SM9/32"x28 L=16	1
13	101S11003	螺钉SM9/32"x28 L=16	Screw SM9/32"x28 L=16	1
14	10404001	针杆曲柄	Needle bar crank	1
	11404035	针杆曲柄 (厚料、-7)	Needle bar crank (H & -7)	1
15	101S15002	螺钉SM1/4"x40 L=6	Screw SM1/4"x40 L=6	2
16	1010300400	上轴前轴套组件	Main shaft bushing front	1
17	101S15006	螺钉SM15/64"x28 L=7	Screw SM15/64"x28 L=7	1
18	12203002	主轴中轴套	Main shaft bushing mid	1
19	101S14001	螺钉SM1/4"x40 L=6	Screw SM1/4"x40 L=6	2
20	10108001	上轴挡圈	Main shaft thrust collar	1
21	H03002	挡圈20	Snap ring 20	1
22	11310014	送料偏心轮	Feed eccentric cam	1
	400006	送料偏心轮 (厚料)	Feed eccentric cam (H)	1
23	10112017	送料偏心轮盖板	Cover plate	1
24	101S11013	螺钉SM1/4"x40 L=13	Screw SM1/4"x40 L=13	2
25	113S11003	螺钉SM9/64"x40 L=5	Screw SM9/64"x40 L=5	2
26	10103026	上轴后轴套	Main shaft bushing rear	1
27	10122105	上轴后套挡油油封	Oil seal	1
28	H03001	挡圈15	Snap ring 15	1
29	10102026	上轴	Main shaft	1
30	303560	手轮	Handwheel	1
31	10133045	平缝一体机电机	Motor	1
32	W03002	弹垫5	Spring washer 5	3
33	114S13001	螺钉M5 L=20	Screw M5 L=20	3
34	S05218	螺钉M5 L=22	Screw M5 L=22	1
35	W03002	弹垫5	Spring washer 5	1
36	10122012	上轴孔塞	Rubber plug	1
37	1013800300	挑线杆大组件 (HL专用)	Thread take-up lever asm (HL)	1
38	1011001100	抬牙凸轮组件 (HL专用)	Cam (HL)	1
39	1011001200	送料凸轮组件 (HL专用)	Cam (HL)	1
40	135S15007	螺钉SM11/64"x40 (HL专用)	Screw SM11/64"x40 (HL)	6
41	13528002	凸轮隔离片 (HL专用)	Cam plate (HL)	1

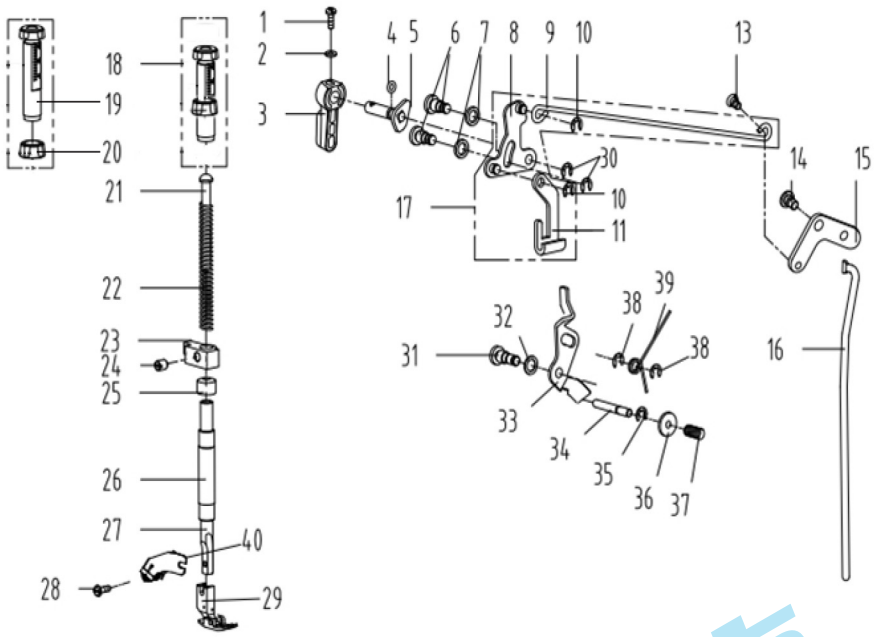
3



### 3. 针杆、竖轴、下轴部件 Needle bar & Upright Shaft & Hook Driving Shaft Components

序号 NO	公司件号 Part NO	名称 PartName	零件描述 Description	数量 Number
1	10103009	针杆上衬套	Needle bar bushing upper	1
2	10102002	针杆	Needle bar	1
	10102021	针杆 (厚料)	Needle bar (H)	1
3	10138002	针杆连接柱	Needle bar connecting rod	1
	13505003	针杆连接柱 (HL)	Needle bar connecting rod (HL)	1
4	101S11005	螺钉 SM9/64"x40 L=6	Screw SM9/64"x40 L=6	1
5	10103010	针杆下衬套	Needle bar bushing lower	1
	10103023	针杆下衬套 (厚料、-7)	Needle bar bushing lower (H & -7)	1
6	10113002	针杆线勾	Needle bar thread guide	1
	11412063	针杆线勾 (厚料)	Needle bar thread guide (H)	1
7	10117001	机针DBx1#14	Needle DBx1#14	1
	10117002	机针DPx5#21 (厚料)	Needle DPx5#21 (H)	1
8	10413001	针杆下衬套线勾	Lower bushing thread guide	1
	10113009	针杆下轴套线勾 (厚料、-7)	Lower bushing thread guide (H & -7)	1
9	101S11006	螺钉SM1/8"x44 L=4.5	Screw SM1/8"x44 L=4.5	1
10	10109001	针杆连接柱滑块	Slide block	1
11	101S11008	螺钉SM11/64"x40 L=8	Screw SM11/64"x40 L=8	2
12	10109002	针杆接头滑块导轨	Needle bar guide	1
13	10425004	上轴伞齿轮	Upper shaft bevel gear	1
14	10425003	竖轴上伞齿轮	Upper small bevel gear asm	1
15	10425002	竖轴下伞齿轮	lower large bevel gear asm	1
16	101S15007	螺钉SM1/4"x40 L=7	Screw SM1/4"x40 L=7	2
17	10425001	下轴伞齿轮	Hook drive shaft bevel gear	1
18	101S15007	螺钉SM1/4"x40 L=7	Screw SM1/4"x40 L=7	2
19	101S15007	螺钉SM1/4"x40 L=7	Screw SM1/4"x40 L=7	2
20	101S15007	螺钉SM1/4"x40 L=7	Screw SM1/4"x40 L=7	2
21	101S15006	螺钉SM15/64"x28 L=4.7	Screw SM15/64"x28 L=4.7	1
22	10403014	竖轴上轴套	Upright shaft bushing upper	1
23	10102007	竖轴	Upright shaft	1
24	10403013	竖轴下轴套	Upright shaft bushing lower	1
25	10103079	下轴后轴套	Hook driving shaft bushing back	1
26	10108002	下轴挡圈	Hook driving shaft snap ring	1
27	10122015	下轴油封	Thrust collar	1
28	10102006	下轴	Hook driving shaft	1
	12202003	下轴 (HL)	Hook driving shaft (HL)	1
29	10103078	下轴前轴套	Hook driving shaft bushing front	1
30	10123009	下轴限油芯	Oil wick	1
31	101S30005	下轴限油螺钉SM3/16"x32	set screw SM3/16"x32	1
32	10118006	旋梭	Hook asm	1
	10118007	旋梭 (厚料)	Hook asm (H)	1
	10818001	旋梭 (HL)	Hook asm (HL)	1
33	10118003	梭心	Bobbin	1
	10818501	大梭心 (HL)	Bobbin (HL)	1
34	10118021	梭壳	Bobbin case asm	1
	10818502	梭壳 (HL)	Bobbin case asm (HL)	1
35	10112016	旋梭定位钩	Finger postioner	1
	10112032	旋梭定位钩 (厚料)	Finger postioner (H)	1
36	101S11011	螺钉SM11/64"x40 L=13	Screw SM11/64"x40 L=13	1
37	101S11012	螺钉SM11/64"x40 L=4.8	Screw SM11/64"x40 L=4.8	2
38	101S15006	螺钉SM11/64"x40 L=7	Screw SM11/64"x40 L=7	1

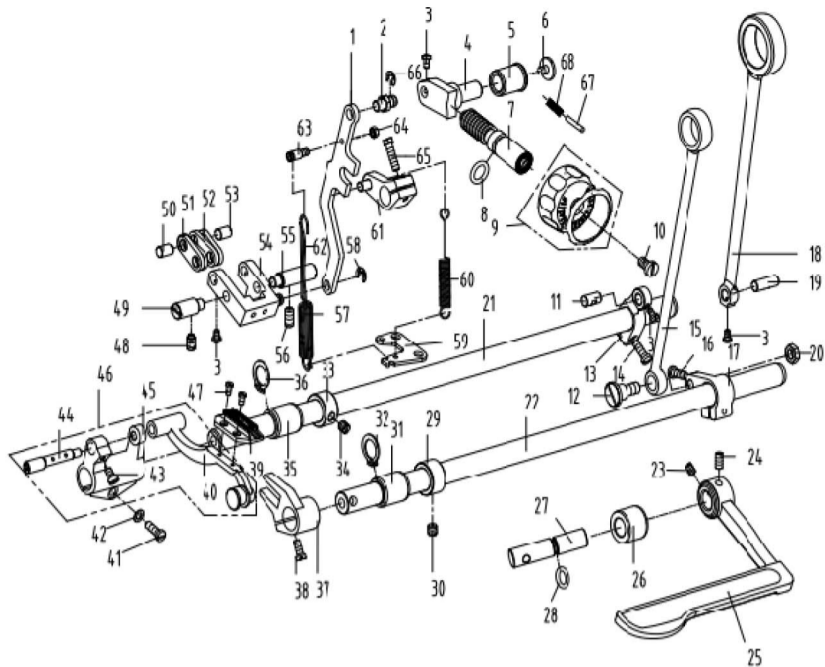
4



#### 4. 压料分组件/Presser Bar Components

序号 NO	公司件号 Part NO	名称 PartName	零件描述 Description	数量 Number
1	101S11010	螺钉SM9/64*x40 L=11	Screw SM9/64*x40 L=11	1
2	10128002	压脚扳手螺钉垫圈	Washer	1
3	13811029	压脚扳手	Hand lifter	1
4	O01004	O型圈	Rubber ring	1
5	1011000200	压脚扳手凸轮分部件	Hand lifter cam asm.	1
6	101S20001	前杠杆螺纹销	Screw	2
7	10128015	螺纹销橡胶垫圈	Washer	2
8	1011200100	抬压脚前杠杆分部件	Lift front lever component	1
9	10112013	抬压脚拉杆	Knee lifter pull rod	1
10	H05003	挡圈5	Snap ring 5	2
11	10112010	压脚升降板	Lifting plate	1
13	101S20004	螺钉SM3/16*x32	Hinge Screw SM3/16*x32	1
14	101S20003	螺钉SM15/64*x28	Hinge screw SM15/64*x28	1
15	10112014	抬压脚后杠杆	Knee lifter back lever	1
16	10112015	抬压脚顶杆	Knee lifter connecting rod	1
17	1011200200	抬压脚前杠杆组件	Knee lifter lever asm	1
18	11381101800	调压螺钉组件	Presser regulating screw nut asm	1
19	1138NS30003	调压螺钉 (厚料)	Press regulating screw (H)	1
20	1138NS16005	调压螺母 (厚料)	Press regulating nut (H)	1
21	10102003	调压导杆	Press regulating guide bar	1
22	113827010	调压簧	Press regulating spring	1
	10127024	调压簧 (厚料)	Press regulating spring (H)	1
23	13809030	压杆导架	Presser bar guide bracket	1
24	101S15007	螺钉SM1/4*x40 L=8	Screw SM1/4*x40 L=8	1
25	10122112	压杆防油套	Pressure bar oil cover	1
26	10103012	压杆衬套	Presser bar bushing	1
27	10102004	压杆	Presser bar	1
28	101S11009	螺钉SM9/64*x40 L=10.5	Screw SM9/64*x40 L=10.5	1
	1131600600	压脚组件	Presser foot asm	1
29	1131600100	压脚组件 (厚料)	Presser foot asm (H)	1
	1131600300	压脚组件 (HL)	Presser foot asm (HL)	1
30	11329020	挡圈 5	Snap ring 5	5
31	101S20002	松线顶板螺纹销	Wire release plate pin	1
32	10128015	螺纹销橡胶垫圈	Washer	1
33	10112012	松线顶板	Wire release plate asm	1
34	10126003	松线辅钉	Thread release supporting pin	1
35	H05012	松线辅钉挡圈	Snap ring	1
36	10128001	松线辅钉垫片	Washer plate	1
37	10127003	松线辅钉弹簧	Spring	1
38	H05003	挡圈5	Snap ring 5	2
39	10127008	松线顶板复位簧	Spring	1
40	1011900100	割线刀组件	Knife	1

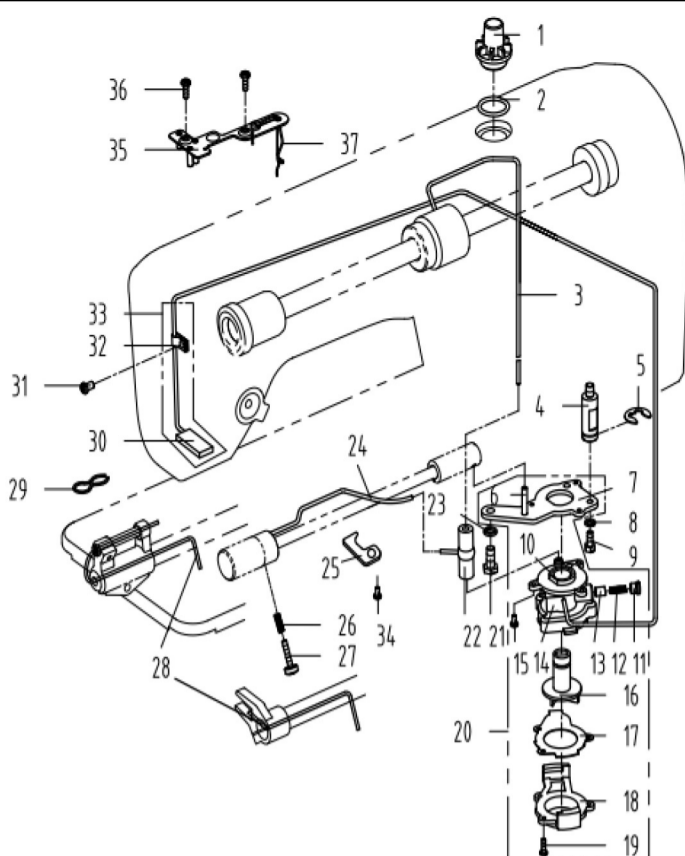




## 5. 送料分组件/Feed Mechanism Components

序号 NO	公司件号 Part NO	名称 PartName	零件描述 Description	数量 Number
1	10105007	倒送料连杆	Reverse feed connecting rod	1
2	11426021	倒送料连杆销	Connecting rod pin	1
2	11326011	倒送料连杆销 (-7)	Connecting rod pin (-7)	1
3	101511005	螺钉SM9/64"x40 L=6	Screw SM9/64"x40 L=6	6
4	10101053	送料调节器	Feed regulator	1
5	10403017	送料调节器轴套	Feed regulator bushing	1
6	101511023	螺钉SM3/16"x28 L=6.5	Screw SM3/16"x28 L=6.5	1
7	10126045	标盘螺钉	Feed regulator stud	1
8	10122016	送料调节螺钉O形圈	Rubber ring	1
9	1011107000	标盘旋钮组件	Knob component	1
9	1011107100	标盘旋钮组件 (-7)	Knob component (-7)	1
10	101511022	螺钉SM3/16"x28 L=18	Screw SM3/16"x28 L=18	1
11	10126011	送料曲柄销	Feed rocker crank pin	1
12	101520005	螺钉SM9/32"x28 L=13.5	Screw SM9/32"x28 L=13.5	1
13	10104002	送料曲柄	Feed rocker shaft crank	1
13	11304010	送料曲柄 (-7)	Feed rocker shaft crank (-7)	1
13	10104009	送料曲柄 (HL)	Feed rocker shaft crank (HL)	1
14	101511016	螺钉SM3/16"x28 L=14	Screw SM3/16"x28 L=14	1
15	400093	抬牙连杆	Connecting rod	1
16	101511016	螺钉SM3/16"x28 L=14	Screw SM3/16"x28 L=14	1
17	10104004	抬牙后曲柄	Feed driving shaft crank	1
18	400091	送料连杆	Rocker shaft connecting rod	1
18	400083	送料连杆 (-7)	Rocker shaft connecting rod (-7)	1
18	10105052	送料连杆 (HL)	Rocker shaft connecting rod (HL)	1
19	10126006	送料连杆销	Connecting rod pin	1
20	101516003	螺母SM9/32"x28 L=4	Hinge Screw SM9/32"x28 L=4	1
21	10102008	送料轴	Feed rocker shaft	1
22	11202001	抬牙轴	Feed driving shaft	1
23	101515006	螺钉SM15/64"x28 L=7	Screw SM15/64"x28 L=7	1
24	101515013	螺钉SM15/64"x28 L=10	Screw SM15/64"x28 L=10	1
25	10131086	倒缝扳手	Reverse feed lever	1
26	10103024	倒送料轴轴套	Reverse feed shaft bushing back	1
27	10102023	倒缝送料轴	Reverse feed shaft	1
28	10122017	倒送料轴O形圈	Rubber ring	1
29	10108003	送料轴挡圈	Feed rocker shaft snap ring	4
30	101515002	螺钉SM1/4"x40 L=6	Screw SM1/4"x40 L=6	2
31	10403015	轴套	Bushing	1
32	H03001	挡圈15	Snap ring 15	2
33	10108003	送料轴挡圈	Feed rocker shaft snap ring	1
34	101515002	螺钉SM1/4"x40 L=6	Screw SM1/4"x40 L=6	2
35	10403015	轴套	Bushing	1
36	H03001	挡圈15	Snap ring 15	1
37	10104007	抬牙叉形曲柄	Driving shaft crank	1
37	10804003	抬牙叉形曲柄 (厚料, -7)	Driving shaft crank (H & -7)	1
38	116511005	螺钉SM11/64"x40 L=13	Screw SM11/64"x40 L=13	1
38	101511020	螺钉SM11/64"x40 L=10.5 (厚料, -7)	Screw SM11/64"x40 L=10.5 (H & -7)	1
39	11414002	送料牙	Feed dog	1
39	11314001	送料牙 (厚料, -H-7)	Feed dog (H & -H-7)	1
39	10814001	送料牙 (-7)	Feed dog (-7)	1
39	10114051	送料牙 (HL)	Feed dog (HL)	1
40	470060	牙架	Feed bar asm	1
41	101511016	螺钉SM3/16"x28 L=14	Screw SM3/16"x28 L=14	1
42	10128003	牙架座螺钉垫圈	Washer	1
43	101511025	螺钉SM11/64"x40 L=7	Screw SM11/64"x40 L=7	1
44	10401007	牙架销	Feed bar pin	1
45	480095	牙架座	Feed bar bed	1
46	11380700300	牙架组件 (成品)	Feed bar asm	1
47	101511018	螺钉SM1/8"x44 L=6	Screw SM1/8"x44 L=6	2
48	101515010	螺钉SM15/64"x28 L=10.5	Screw SM15/64"x28 L=10.5	1
49	10126009	送料摆动板左销	Left pin	1
50	10126007	短摆动板连杆销	Connecting pin	1
51	10109005	送料短摆动板	Feed short shaking plate	1
52	10109004	送料长摆动板	Feed long shaking plate	1
53	10126007	短摆动板连杆销	Connecting pin	1
54	1010100200	送料摆动板座分部件	Feed shaking plate bed components	1
55	10126010	送料摆动板座右销	Right pin	1
56	101515010	螺钉SM15/64"x28 L=10.5	Screw SM15/64"x28 L=10.5	1
57	11427011	送料调节弹簧	Spring	1
58	11329020	挡圈5	Snap ring 5	1
59	11412081	拉簧固定板	Pull spring fixing plate	1
60	10127011	倒送料拉簧	Reverse feed pull spring	1
61	1140402700	倒送料曲柄组件	Feed reverse crank asm	1
61	1130402800	倒送料曲柄组件 (-7)	Feed reverse crank asm (-7)	1
62	11321005	油管	Tube	1
63	114530007	螺钉SM11/64"x40 L=7.5	Screw SM11/64"x40 L=7.5	1
64	114516004	螺母SM11/64"x40 L=3	Nut SM11/64"x40 L=3	1
65	S01102	螺钉SM3/16"x28 L=18	Screw SM3/16"x28 L=18	1
66	11329020	挡圈5	Snap ring 5	1
67	10126015	送料距锁合销	Pin	1
68	10127010	送料距锁合簧	Spring	1

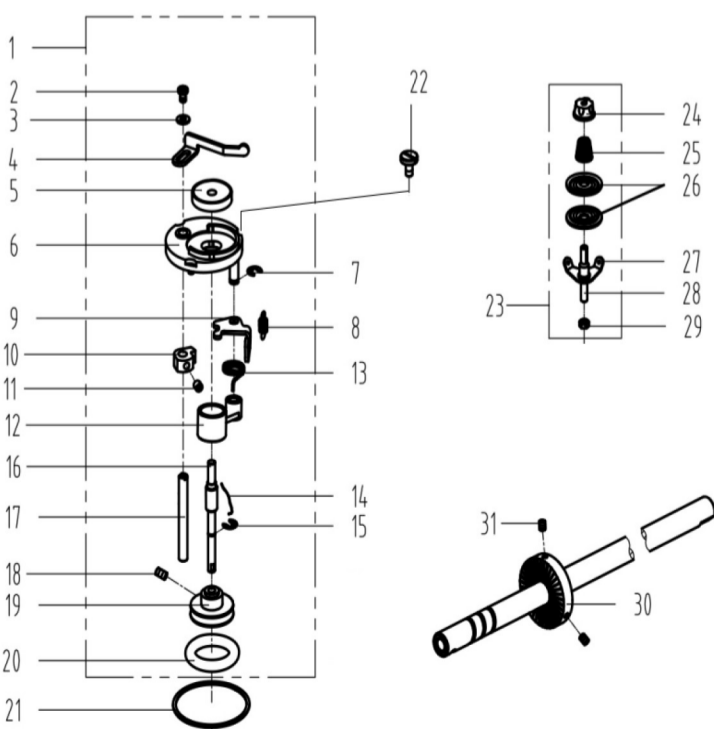
6



## 6. 润滑、油量检测组件/Oil Lubrication &amp; Oil Measuring Components

序号 NO	公司件号 Part NO	名称 PartName	零件描述 Description	数量 Number
1	11211004	油窗	Oil sight window	1
2	10122019	油窗O形圈	Rubber ring	1
3	11421008	上轴供油管	Main shaft oil tube	1
4	101S30008	油泵连接螺母	Oil pump connecting stud	1
5	11329010	开口挡圈10	Snap ring 10	1
6	10121001	下轴供油管	Hook driving shaft oil tube	1
7	10112020	油泵安装板	Oil pump installing base	1
8	W03002	弹垫	Spring washer	1
9	101S11011	螺钉SM11/64"×40 L=9.5	Screw SM11/64"×40 L=9.5	1
10	10103022	油泵体衬套	Oil pump bushing	1
11	101S30007	柱塞螺钉	Plunger Screw	1
12	10127013	柱塞簧	Plunger spring	1
13	10122018	回油柱塞	Plunger	1
14	10120001	油泵体	Oil pump	1
15	S04093	螺钉M3 L=6	Screw M3 L=6	3
16	10111003	油泵叶轮	Oil pump impeller	1
17	10112021	油泵叶轮托板	Oil pump impeller cover	1
18	10111007	油泵盖	Lubricating oil pump cover	1
19	101S30006	螺钉ST2.9 L=10	Screw ST2.9 L=10	3
20	1012000100	油泵分部件	Lubricating oil pump component	1
21	101S11026	螺钉SM15/64"×28 L=9	Screw SM15/64"×28 L=9	1
22	10136001	供油管接头	Rubber joint	1
23	W02004	弹垫M6	Spring Washer M6	1
24	10121009	供油管	Hook oil tube	1
25	10112022	旋接供油管压板	Tube holder	1
26	10127014	油量调节螺钉弹簧	Spring	1
27	101S30009	油量调节螺钉	Oil volume adjusting screw	1
28	10423005	油线	Oil wick	1
29	10127015	回油毡夹	Oil felt clamp	1
30	10123006	回油毡	Oil felt felt	1
31	101S11004	螺钉SM3/16"×28 L=7	Screw SM3/16"×28 L=7	1
32	10127015	回油毡夹	Oil tube clamp	1
33	11502100100	回油管部件	Oil return tube component	1
34	101S11026	螺钉SM15/64"×28 L=9	Screw SM15/64"×28 L=9	1
35	10112025	油线固定板	Oil wick fixing plate	1
36	101S11010	螺钉SM9/64"×40 L=11	Screw SM9/64"×40 L=11	2
37	10123010	油线	Oil wick	1

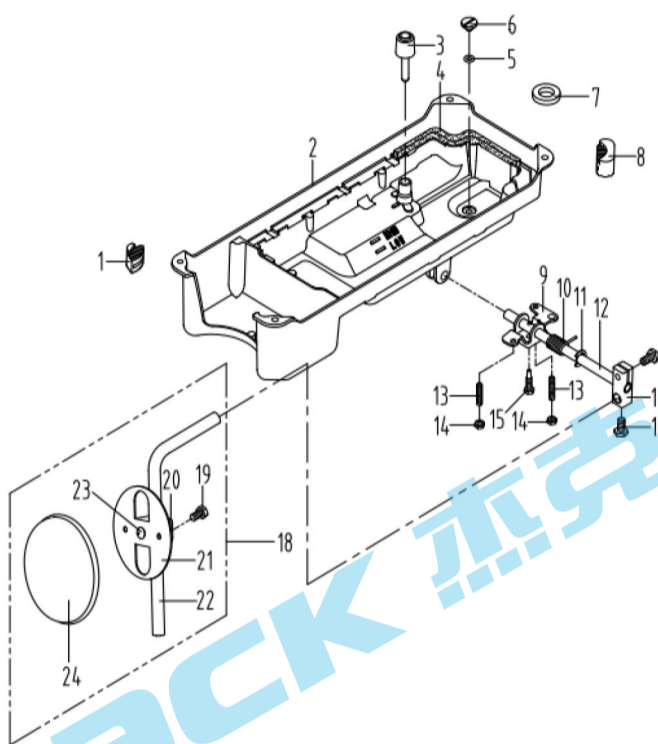
7



## 7. 绕线器组件/ Bobbin Components

序号 NO	公司件号	Part NO	名称	PartName	零件描述	Description	数量	Number
1	1383103900		绕线器组件		Bobbin winder asm		1	
2	114511008		螺钉M4 L=6		Screw M4 L=6		1	
3	W01142		垫圈4		Washer 4		1	
4	10113030		压线控制板		Thread press control plate		1	
5	10111120		绕线衬垫		Winding pad		1	
6	13831101		绕线器装置主座		Bobbin winder bed		1	
7	H05006		开口挡圈5		Snap ring		1	
8	10127061		复位板拉簧		Spring		1	
9	13812110		调节板		Regulating plate		1	
10	10110030		绕线凸轮		Bobbin winder cam		1	
11	S09045		螺钉M5 L=5		Screw M5 L=5		1	
12	1380510600		绕线器连杆组件		Bobbin winder connecting rod		1	
13	13827103		满线复位簧		Spring		1	
14	10127060		弹簧		Spring		1	
15	H05909		开口挡圈4		Snap ring 4		1	
16	13802111		绕线器主轴		Bobbin winder main shaft		1	
17	13802026		绕线凸轮轴		Bobbin winder cam shaft		1	
18	S09103		螺钉M4 L=4		Screw M4 L=4		2	
19	13831102		绕线轮		Bobbin winder wheel		1	
20	O01110		O型圈		Ring		1	
21	11422062		密封垫		Washer		1	
22	114511003		螺钉SM3/16"×28 L=10		Screw SM3/16"×28 L=10		3	
23	1381300600		底线夹线器		Bobbin thread tension asm.		1	
24	138s16019		夹线螺母		Thread tension nut		1	
25	11427006		小夹线弹簧		Spring		1	
26	10112005		夹线板		Thread tension disk		2	
27	11413022		夹线过线板		Thread tension guide plate		1	
28	112513004		夹线螺钉		Screw		1	
29	114516001		螺母SM11/64"×40		Nut SM11/64"×40		1	
30	11435013		绕线器驱动轮		Driving wheel		1	
31	S10009		螺钉M6 L=8		Screw M6 L=8		2	

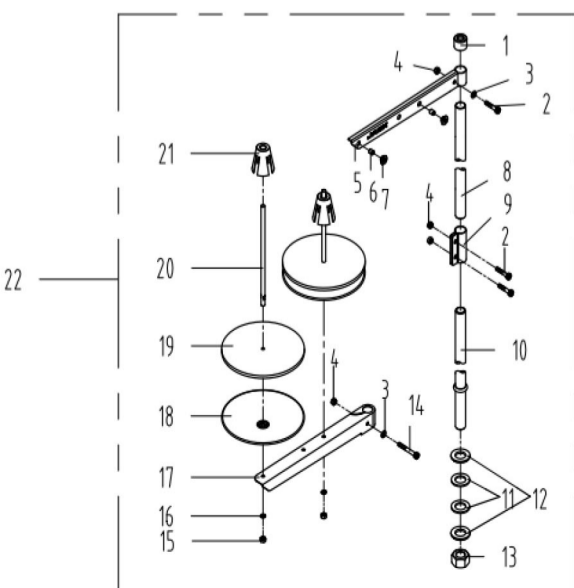
8



## 8. 油盘、膝抬压脚分组件/Oil Ceservoir & Knee Lifter Components

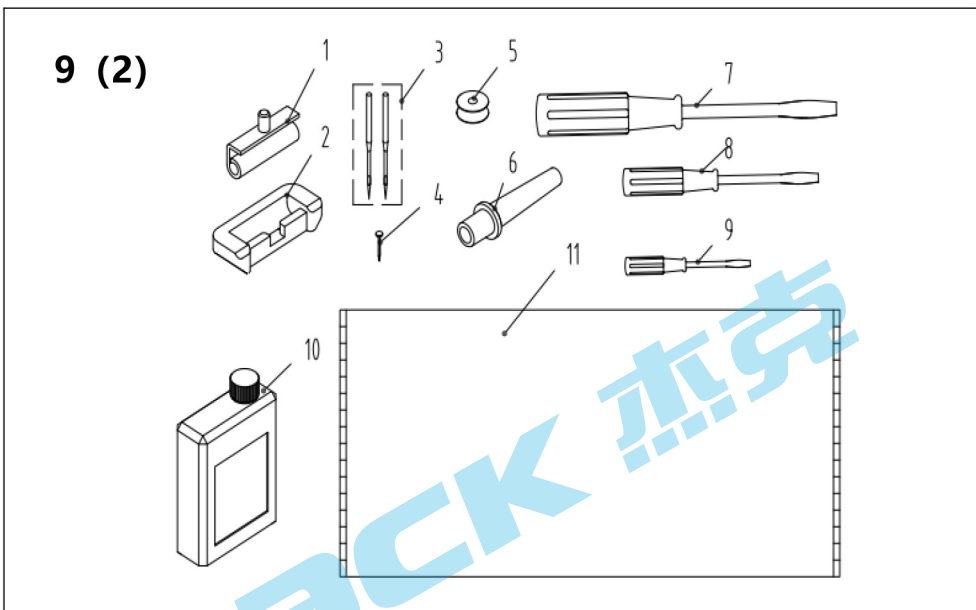
序号 NO	公司件号	Part NO	名称	PartName	零件描述	Description	数量	Number
1	10122022		油盘座垫		Oil reservoir rubber cushion		2	
2	13801020		油盘		Oil reservoir		1	
3	10111005		抬压脚顶杆		Knee lifter push rod		1	
4	10122020		油盘垫		Oil Reservoir gasket		1	
5	10122021		O形圈		Rubber ring		1	
6	101511028		螺钉SM5/16"×24 L=7		Screw SM5/16"×24 L=7		1	
7	10131001		油盘磁铁		Oil reservoir magnet		1	
8	10122023		油盘支架		Oil reservoir rubber cushion		2	
9	10112027		抬压脚双向曲柄		Knee lifter crank		1	
10	10127016		双向曲柄扭簧		Knee lifter spring		1	
11	H05010		挡圈10		Snap ring 10		1	
12	10102011		抬压脚轴		Knee lifter shaft		1	
13	101515012		螺钉M6 L=30		Screw M6 L=30		2	
14	101516004		螺母M6 L=4		Nut M6 L=4		2	
15	101512002		螺钉M6 L=26		Screw M6 L=26		1	
16	10101008		抬牙脚操纵杆节头		Bearing bracket		1	
17	101512003		螺钉M8 L=16		Screw M8 L=16		1	
18	1011202800		操纵杆组件		Knee press plate asm		1	
19	101512004		螺钉M6 L=11		Screw M6 L=11		1	
20	10112030		操纵杆节头		Knee press plate holder		1	
21	10112029		操纵板		Knee press plate		1	
22	10112028		操纵杆		Knee press plate rod		1	
23	10122025		操纵杆垫		Rubber		1	
24	10122024		操纵板软垫		Knee press plate cover		1	

9 (1)



## 9. 机头附件 (1) /Machine Head Accessories (1)

序号 NO	公司件号	Part NO	名称	PartName	零件描述	Description	数量	Number
1	20131019		棒帽		Stick cap		1	
2	S04050		螺栓M5 L=16		Screw M5 L=16		3	
3	W01047		平垫圈5		Washer 5		2	
4	N01034		螺母M5		Nut M5		4	
5	13831022		上线架过线杆		Spool rest arm upper		1	
6	10113011		过线圈 (内)		Thread guide ring		2	
7	10113010		过线圈 (外)		Thread guide ring		2	
8	13831019		线架杆上节		Spool rest rod upper		1	
9	13831021		线架杆接头		Spool rest rod joint		1	
10	13831020		线架杆下节		Spool rest rod lower		1	
11	10122106		橡胶垫圈		Spool rest rod rubber ring		2	
12	W01052		平垫圈16		Washer 16		2	
13	N02008		螺母M16		Nut M16		1	
14	S04051		螺栓M5 L=31.5		Screw M5 L=31.5		1	
15	N01034		螺母M5		Nut M5		2	
16	W03002		弹簧垫圈 5		Spring washer 5		2	
17	13831023		下线架过线杆		Spool rest arm lower		1	
18	13831024		线盘		Spool rest		2	
19	20131010		线盘垫		Spool rest cushion		2	
20	20131006		线拖棒		Spool support rod		2	
21	13831025		线固定套		Spool fixed seat		2	
22	1383100300		线架组件		Thread stand asm.		1	



## 9. 机头附件 (2) /Machine Head Accessories (2)

序号 NO	公司件号	Part NO	名称	PartName	零件描述	Description	数量	Number
1	1011203100		机头连接钩部件		Hinge component		2	
2	10122060		机头连接钩座		Head connecting rubber cushion		2	
3	10117012		机针 DBx1#14		Needle DBx1#14		10	
	10117002		机针 DP×5#21 (厚料)		Needle DP×5#21 (H)		4	
4	101530010		机头连接钩座钉 (P19)		Shoe spike (p19)		6	
5	10118003		梭心		Bobbin		2	
	10818501		大梭心 (HL)		Bobbin (HL)		2	
6	10111011		机头支柱		Machine head rest pin		1	
7	20731047		螺丝刀 (大)		Screw driver (large)		1	
8	10131003		螺丝刀 (中)		Screw driver (medium)		1	
9	10131004		螺丝刀 (小)		Screw driver (small)		1	
10	1381101200		油箱部件		Oiler component		1	
11	114131001		防尘罩		Dust cover		1	

## 杰克缝纫机股份有限公司

杰克缝纫机  
全球销量遥遥领先

公司地址(Address of Company) :

中国浙江省台州市椒江区三甲东海大道东段1008号

NO.1008, DONGHAI AVENUE EAST, JIAOJIANG DISTRICT,TAIZHOU CITY, ZHEJIANG

邮编( Zip Code ): 318000

国内销售部(Domestic Trade Department):

电话(TEL): 0086-0576-88177788 88177789

传真(FAX): 0086-0576-88177758

国贸销售部(International Trade Department):

电话(TEL): 0086-0576-88177782 88177774

传真(FAX): 0086-0576-88177787

服务热线: 400-8876858

<http://www.chinajack.com>

资料如有更改, 恕不另行通知, 以实物为准。

You will be not informed if the file has been revised.Please set sample as standard.

日期: 2020.12



请您扫下杰克服务号