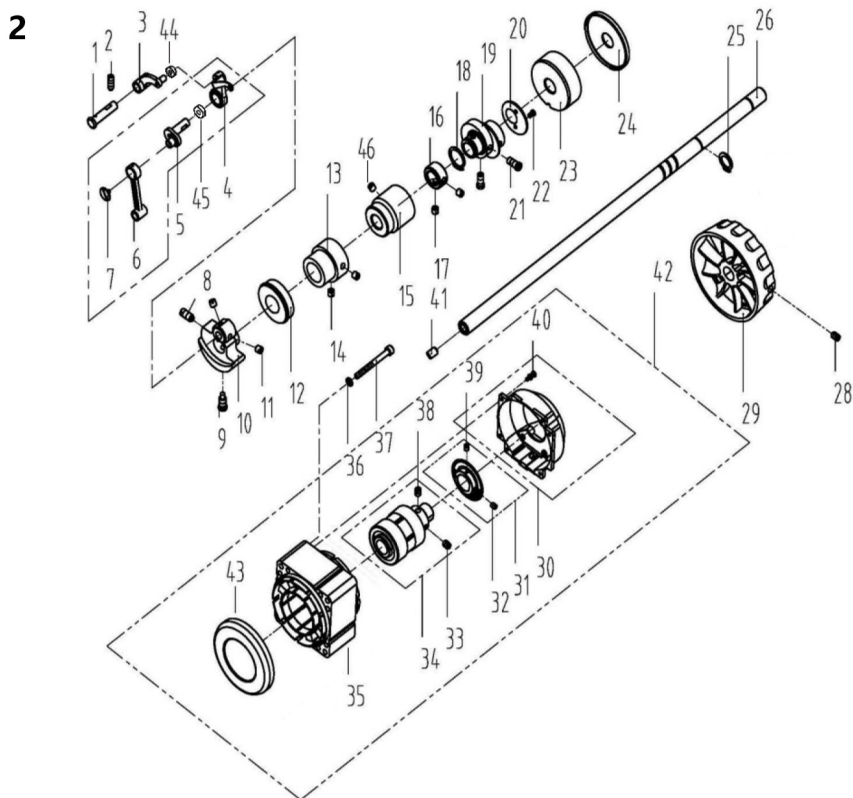


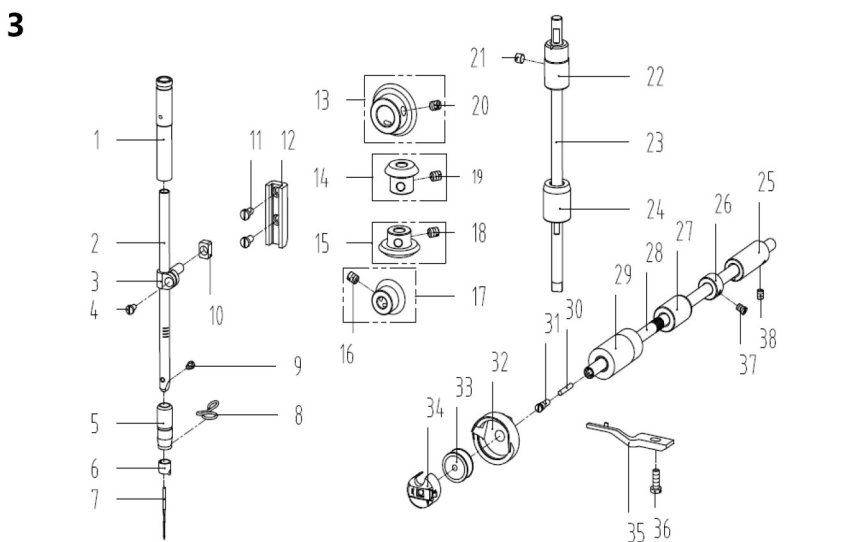
1. 机壳、外装分组件/Machine Frame & Miscellaneous Cover Components

序号 NO	公司件号 Part NO	名称 PartName	零件描述 Description	数量 Number
1	101S11001	螺钉SM3/16*×28 L=9	Screw SM3/16*×28 L=9	3
2	10122003	面板调节孔螺塞	Rubber plug	2
3	13837002	商标牌	Head card	1
4	12801030	面板	Face plate	1
5	13813005	左线钩	Thread guide left	1
6	101S11007	螺钉SM11/64*×40 L=6	Screw SM11/64*×40 L=6	1
7	12822006	面板垫	Face plate gasket	1
8	10122013	针杆上衬套孔塞	Rubber plug	1
9	10122005	挑线连杆销螺孔塞	Rubber plug	1
10	10122004	针杆曲柄螺孔塞	Rubber plug	1
11	101S11004	螺钉SM3/16*×28 L=7	Screw SM3/16*×28 L=7	1
12	13812018	挑线杆防护罩	Thread take-up lever cover	1
13	101S11004	螺钉SM3/16*×28 L=7	Screw SM3/16*×28 L=7	1
14	13512004	三孔线勾	Three-hole thread guide	1
15	10122005	挑线连杆销螺孔塞	Rubber plug	1
16	114511015	螺钉SM9/64*×40 L=6	Screw SM9/64*×40 L=6	2
17	11419001	割线刀	Knife	1
18	20722002	油塞	Rubber plug	1
19	13822001	操作屏孔塞	Rubber plug	2
20	13822007	后窗板垫	Side plate gasket	1
21	12812016	后窗板	Side plate	1
22	101S11001	螺钉SM3/16*×28 L=9	Screw SM3/16*×28 L=9	11
23	11283301900 11283000600	一体机电控罩壳组件 一体机电控罩壳组件 (5559G+)	Electronic control box Electronic control box (5559G+)	1 1
24	W01009	GB/T97.1-1985垫圈 5	Washer 5	2
25	114513001	螺钉M5 L=20	Screw M5 L=20	3
26	114530001	螺栓M5 L=25	Screw M5 L=25	1
27	13833013 11383300100	一体机电控组件 一体机电控组件 (5559G+)	Electronic control box Electronic control box (5559G+)	1 1
28	10122006	送料调节器孔塞	Rubber plug	1
29	10122007	下轴工艺孔塞	Rubber plug	1
30	138505001	螺钉M3 L=12	Screw M3 L=12	2
31	12833045 11283000500	一体机电控面板组件 一体机电控面板组件 (5559G+)	Control panel Control panel (5559G+)	1 1
32	101S12001	底板支柱	Machine head stud	4
33	13822002	装饰条	Decorative article	1
34	101S11004	螺钉SM3/16*×28 L=7	Screw SM3/16*×28 L=7	2
35	1411300400	小夹线器组件	Thread tension asm.	1
36	138516019	小夹线器螺母	Thread tension nut	1
37	11227001	小夹线弹簧	Thread tension spring	1
38	14112017	小夹线板	Thread tension disk	2
39	13810008	小夹线器螺柱	Thread tension post	1
40	138508006	螺钉SM3/16*×28 L=7	Screw SM3/16*×28 L=7	1
41	13812066	过线板	Thread tension guide plate	1
42	11322014	橡皮塞	Rubber plug	1
43	10113004	右线钩	Thread guide right	1
44	101S11007	螺钉SM11/64*×40 L=6	Screw SM11/64*×40 L=6	1
45	101S15010	螺钉SM15/64*×28 L=10.5	Screw SM15/64*×28 L=10.5	1
46	11326012	松线钉	Tension release pin	1
47	10122014	挑线簧调节座O型圈	Rubber ring	1
48	101S15005	螺钉SM9/64*×40 L=5.5	Screw SM9/64*×40 L=5.5	1
49	10103011	挑线簧调节座	Thread tension base	1
50	10127001	挑线簧	Thread take-up spring	1
51	14112015	夹线板	Thread tension disk	2
52	14112016	松线板	Disk stopper	1
53	141S30001	夹线螺钉	Thread tension post	1
54	10127002	夹线弹簧	Thread tension spring A	1
55	10112007	夹线制动板	Thread disk rotating stopper	1
56	141S16013	夹线螺母	Thread tension nut	1
57	1411300300	夹线器组件	Thread tension asm.	1
58	1383002700	电子夹线器组件	Nest less e-device	1
59	207S14007	螺钉M4 L=6	Screw M4 L=6	1
60	11413011	固定式螺线钩	Thread guide	1
61	401S16001	螺母SM9/64*×40	Nut SM9/64*×40	1
62	10115002	推板	Slide plate	1
63	10127009	推板簧	Slide plate spring	1
64	101S11019	螺钉SM3/32*×56 L=2	Screw SM3/32*×56 L=2	2
65	13812109	侧盖固定板	Fixed plate	1
66	S04010	螺钉M4 L=5.5	ScrewM4 L=5.5	1
67	H05002	卡簧3	Circlip 3	1
68	138530007	侧盖螺钉	Screw	1
69	12922015	橡皮塞	Rubber plug	1
70	13826009	罩壳台阶销	Pin	1
71	14011009	一体机电控后侧盖	Side cover	1
72	14123001	防油罩油棉	Oil cotton	1
73	14112004	防油罩	Oil preventing plate	1
74	114130006	无线通信模块 (5559G+)	RF wireless data communication module (5559G+)	1
75	112830006	U型线夹 (5559G+)	U clip (5559G+)	1
76	113833074	二维码标签纸 (5559G+)	Label paper (5559G+)	1
77	104S17002	螺钉SM11/64*×40 L=6.5	Screw SM11/64*×40 L=6.5	2
78	12815001 12815002	针板1/8 针板1/4	Needle plate Needle plate (1/4)	1 1
79	104S17002	螺钉SM11/64*×40 L=6.5	Screw SM11/64*×40 L=6.5	2
80	401S11040	螺钉SM9/64*×40 L=5	Screw SM9/64*×40 L=5	2
81	12812002	碎屑屑导向U	Waste material U	1
82	12815004	辅助针板	Throat plate	1
83	12812028	碎屑屑下料挡板	Blanking baffle	1
84	101S11019	螺钉SM3/32*×56 L=2	Screw SM3/32*×56 L=2	2
85	12812026	碎屑屑导向	Waste material	1



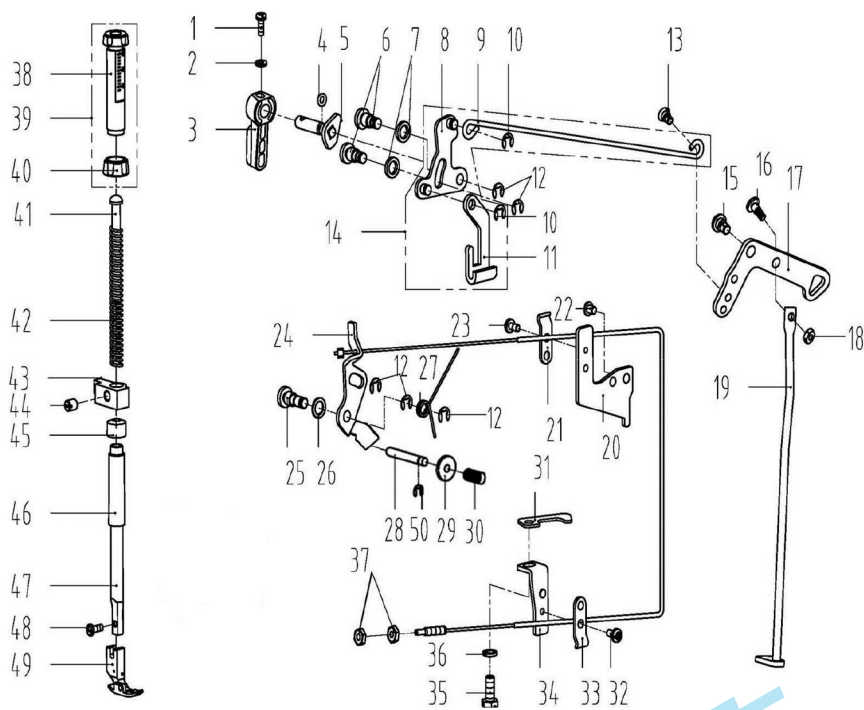
2. 上轴挑线分组件/Main Shaft & Thread Take-up Components

序号 NO	公司件号	Part NO	名称	PartName	零件描述	Description	数量	Number
1	12226001		挑线连杆销	Thread take-up connecting rod pin			1	
2	101S15001		螺钉SM15x64"x28 L=15	Screw SM15x64"x28 L=15			1	
3	12205001		挑线连杆	Needle bar crank rod			1	
4	1223800100		挑线杆分组件	Thread take-up lever asm			1	
5	13810012		挑线曲柄	Thread take-up crank			1	
6	12205002		针杆连杆组件	Needle bar cradle rod			1	
7	101S17001		螺钉SM9/64"x40 L=6	Screw SM9/64"x40 L=6			1	
8	101S15004		螺钉SM9/32"x28 L=16	Screw SM9/32"x28 L=16			1	
9	101S11003		螺钉SM9/32"x28 L=16	Screw SM9/32"x28 L=16			1	
10	12804001		针杆曲柄	Needle bar crank			1	
11	101S15002		螺钉SM1/4"x40 L=6	Screw SM1/4"x40 L=6			2	
12	B10003		轴承	Beating			1	
13	1220300100		上轴前套	Main shaft front bushing			1	
14	S10009		螺钉M6 L=8	Screw M6 L=8			2	
15	12803005		主轴中轴套	Main shaft bushing mid			1	
16	10108001		上轴挡圈	Main shaft thrust collar			1	
17	101S14001		螺钉SM1/4"x40 L=6	Screw SM1/4"x40 L=6			1	
18	H03002		挡圈20	Snap ring 20			1	
19	11310014		送料偏心轮	Feed eccentric cam			1	
20	10112017		送料偏心轮盖板	Cover plate			1	
21	101S11013		螺钉SM1/4"x40 L=13	Screw SM1/4"x40 L=13			2	
22	113S11003		螺钉SM9/64"x40 L=5	Screw SM9/64"x40 L=5			2	
23	13803002		上轴后轴套	Main shaft bushing back			1	
24	10122105		上轴后套挡油封	Oil seal			1	
25	H03001		GB/T894.1-1986挡圈15	Snap ring 15			1	
26	12802020		上轴	Main shaft			1	
28	S10009		螺钉M6 L=8	Screw M6 L=8			2	
29	113835001		手轮	Handwheel			1	
30	95100172		电机罩壳组件	Motor cover asm.			1	
31	95100116		电机光栅组件	Motor grating sensor asm			1	
32	S09022		螺钉M3 L=4	Screw M3 L=4			1	
33	S09113		螺钉M6 L=6	Screw M6 L=6			1	
34	95100182		电机转子总成	Motor rotor			1	
35	95100171		电机定子总成	Motor stator			1	
36	W02058		弹垫5	Spring washer 5			3	
37	S05901		螺钉M5 L=50	Screw M5 L=50			3	
38	S09113		螺钉M6 L=6	Screw M6 L=6			1	
39	S09022		螺钉M3 L=4	Screw M3 L=4			1	
40	951S15011		螺钉组合件M3 L=12	Screw M3 L=12			5	
41	10122012		上轴孔塞	Rubber plug			1	
42	113830001		光电伺服电机	Motor			1	
43	13811060		电机绝缘防护罩	Motor insulation shield			1	
44	B04020		GB/T 276深沟球轴承695ZZ	Beating			1	
45	B04008		GB/T 278轴承698ZZ	Beating			2	
46	101S15006		螺钉SM15/64"x28 L=7	Screw SM15/64"x28 L=7			1	



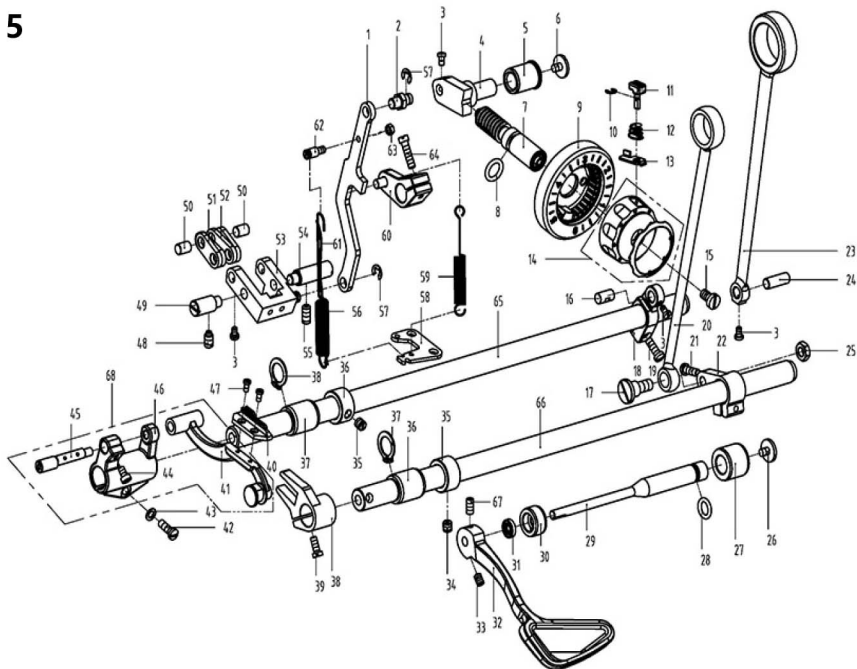
3. 针杆、竖轴、下轴部件/Needle bar & Upright Shaft & Hook Driving Shaft Components

序号 NO	公司件号 Part NO	名称 PartName	零件描述 Description	数量 Number
1	10103009	针杆上衬套	Needle bar bushing upper	1
2	12802008	针杆	Needle bar	1
3	10138002	针杆连接柱	Needle bar connecting rod	1
4	101S11005	螺钉SM9/64"x40 L=6	Screw SM9/64"x40 L=6	1
5	10103010	针杆下衬套	Needle bar bushing lower	1
6	12813002	针杆线勾	Needle bar thread guide	1
7	10117001	机针DB×1#14	NeedleDB×1#14	1
8	10113009	针杆下衬套线勾	Lower bushing thread guide	1
9	104S11006	螺钉SM1/8"x44 L=4.5	Screw SM1/8"x44 L=4.5	1
10	10109001	针杆连接柱滑块	Slide block	1
11	101S11008	螺钉SM11/64"x40 L=8	Screw SM11/64"x40 L=8	2
12	10109002	针杆接头滑块导轨	Needle bar guide	1
13	10425004	上轴伞齿轮	Upper shaft bevel gear	1
14	10425003	竖轴上伞齿轮	Upper small bevel gear asm	1
15	10425002	竖轴下伞齿轮	Lower large bevel gear asm	1
16	101S15014	螺钉SM1/4"x40 L=7	Screw SM1/4"x40 L=7	2
17	10425001	下轴伞齿轮	Hook drive shaft bevel gear	1
18	101S15014	螺钉SM1/4"x40 L=7	Screw SM1/4"x40 L=7	2
19	101S15014	螺钉SM1/4"x40 L=7	Screw SM1/4"x40 L=7	2
20	101S15014	螺钉SM1/4"x40 L=7	Screw SM1/4"x40 L=7	2
21	113S11036	螺钉SM15/64"x28 L=4.7	Screw SM15/64"x28 L=4.7	1
22	10403020	竖轴上轴套	Upright shaft bushing upper	1
23	10102007	竖轴	Upright shaft	1
24	10403013	竖轴下轴套	Upright shaft bushing lower	1
25	10403019	下轴后轴套	Hook driving shaft bushing back	1
26	10108002	下轴挡圈	Hook driving shaft snap ring	1
27	113803006	下轴中套	Lower shaft middle bushing	1
28	11304003	下轴	Hook driving shaft	1
29	11303001	下轴前轴套	Hook driving shaft bushing front	1
30	13823001	下轴限油芯	Oil wick	1
31	101S30005	下轴限油螺钉	Set screw	1
32	11418003	旋梭	Hook asm	1
33	10118003	梭心	Bobbin	1
34	11218504	梭壳	Bobbin case asm	1
35	10112016	旋梭定位钩	Finger postioner	1
36	101S11011	螺钉SM11/64×40 L=9.5	Screw SM11/64×40 L=9.5	1
37	101S11012	螺钉SM11/64"×40 L=4.8	Screw SM11/64"×40 L=4.8	2
38	113S14020	螺钉SM11/64"×40 L=6	Screw SM11/64"×40 L=6	1



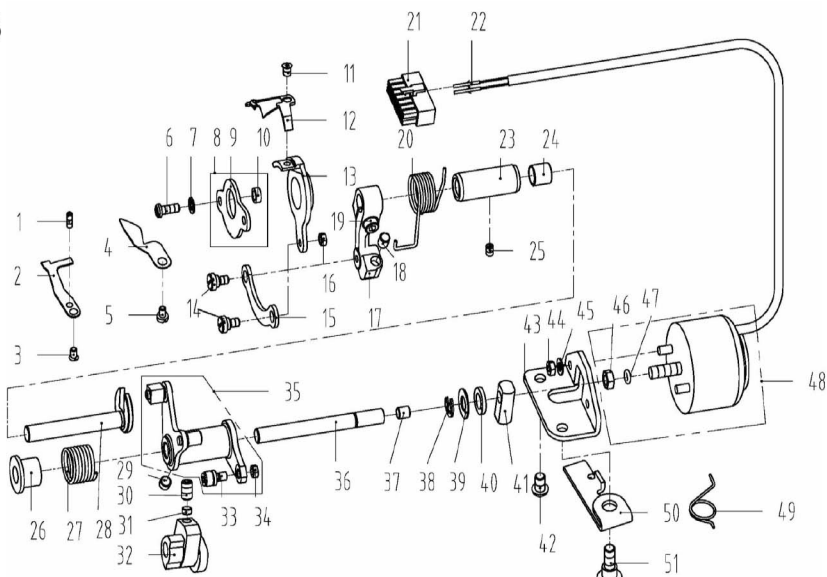
4. 压料分组件/Presser Bar Components

序号 NO	公司件号 Part NO	名称 PartName	零件描述 Description	数量 Number
1	101S11010	螺钉SM9/64*40 L=11	Screw SM9/64*40 L=11	1
2	10128002	压脚板手螺钉垫圈	Washer	1
3	13811029	压脚板手	Hand lifter	1
4	O01004	O型圈	Rubber ring	1
5	1381000200	压脚板手凸轮分部件	Hand lifter cam asm.	1
6	101S20001	前杠杆螺钉销	Screw	2
7	10128015	螺纹销橡胶垫圈	Washer	2
8	1381203000	抬压脚前杠杆分部件	Lift front lever component	1
9	10112013	抬压脚拉杆	Knee lifter pull rod	1
10	H05003	GB/T896-1986挡圈 5	Snap ring 5	2
11	10112010	压脚升降板	Lifting plate	1
12	11329020	挡圈5	Snap ring 5	5
13	101S20004	抬压脚拉杆螺钉SM3/16*32	Hinge Screw SM3/16*32	1
14	1381203200	抬压脚前杠杆组件	Knee lifter lever asm	1
15	101S20003	后杠杆轴位螺钉SM15/64*28	Hinge screw SM15/64*28	1
16	128S20003	抬压脚顶杆轴位螺钉SM11/64*40	Hinge Screw SM11/64*40	1
17	12812033	抬压脚后杠杆	Knee lifter back lever	1
18	112S16008	螺母SM11/64*40	Nut SM11/64*40	1
19	12812032	抬压脚顶杆	Knee lifter connecting rod	1
20	11212009	松线导管上支架	Wire release bracket upper	1
21	11212008	松线导管压板	Wire release press plate	1
22	101S11004	螺钉SM3/16*28 L=7	Screw SM3/16*28 L=7	1
23	113S11004	螺钉M4 L=8	Screw M4 L=8	1
24	11281200800	松线顶板组件	Wire release plate asm	1
25	101S20002	松线顶板螺纹销	Wire release plate pin	1
26	10128015	螺纹销橡胶垫圈(厚)	Washer	1
27	11427009	松线顶板复位簧	Reset spring	1
28	10126003	松线辅钉	Thread release supporting pin	1
29	10128001	松线辅钉垫片	Washer	1
30	10127003	松线辅钉弹簧	Spring	1
31	10112022	旋梭供油管压板	Tube press plate	1
32	113S11004	螺钉M4 L=8	Screw M4 L=8	1
33	11212008	松线导管压板	Wire presser	1
34	11312001	松线导管下支架	Wire release bracket lower	1
35	116S30003	螺钉SM15/64*28 L=14.5	Screw SM15/64*28 L=14.5	1
36	W02004	弹性垫圈	Spring washer	1
37	113S12001	螺母M5	Nut M5	2
38	113811018	调压螺钉	Press regulating screw	1
39	11381101800	调压螺钉组件	Presser regulating screw nut asm	1
40	13811028	调压螺母	Press regulating nut	1
41	10102003	调压导杆	Press regulating guide bar	1
42	113827010	调压簧	Press regulating spring	1
43	13809030	压杆导架	Presser bar guide bracket	1
44	101S15007	螺钉SM1/4*40 L=8	Screw SM1/4*40 L=8	1
45	10122112	压杆防油套	Pressure bar oil cover	1
46	10103012	压杆衬套	Presser bar bushing,lower	1
47	12802002	压杆	Presser bar	1
48	101S11009	螺钉SM9/64*40 L=10.5	Screw SM9/64*40 L=10.5	1
49	1281600200	活压脚部件(1/8")	Presser foot asm (1/8")	1
49	1281600300	活压脚部件(3/16")	Presser foot asm (3/16")	1
50	H05012	挡圈4	Snap ring 4	1



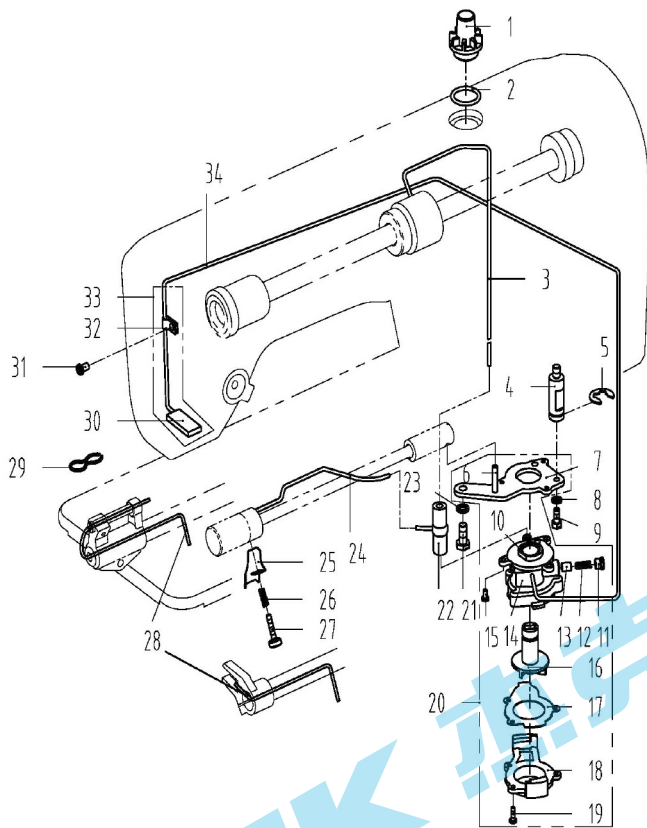
5. 送料分组件/Feed Mechanism Components

序号 NO	公司件号 Part NO	名称 PartName	零件描述 Description	数量 Number
1	11405015	倒送料连杆	Reverse feed connecting rod	1
2	11426021	倒送料连杆销	Connecting rod pin	1
3	101S11005	螺钉SM9/64"x40 L=6	Screw SM9/64"x40 L=6	6
4	11401015	送料调节器	Feed regulator	1
5	11403043	送料调节器轴套	Feed regulator bushing	1
6	101S11023	螺钉SM3/16"x28 L=6.5	Screw SM3/16"x28 L=6.5	1
7	13826005	标盘螺栓	Feed regulator stud	1
8	10122016	送料调节螺钉O形圈	Rubber ring	1
9	13811008	固定表盘	Fixing dial plate	1
10	H05018	GB/T896-1986挡圈3.5	Snap ring 3.5	2
11	13811009	标盘按钮	Dial plate button	1
12	13827002	按钮复位簧	Spring	1
13	13812010	上限位片	Upper limit patch	1
14	1381100700	标盘旋钮组件	Knob component	1
15	101S11022	螺钉SM3/16"x28 L=18	Screw SM3/16"x28 L=18	1
16	10126011	送料曲柄销	Feed rocker crank pin	1
17	101S20005	抬牙连杆轴位螺钉SM9/32"x28	Hinge Screw SM9/32"x28	1
18	10104002	送料曲柄	Feed rocker shaft crank	1
19	101S11016	螺钉SM3/16"x28 L=14	Screw SM3/16"x28 L=14	1
20	400093	抬牙连杆	Connecting rod	1
21	101S11016	螺钉 SM3/16"x28 L=14	Screw SM3/16"x28 L=14	1
22	10104004	抬牙后曲柄	Feed driving shaft crank	1
23	400091	送料连杆	Rocker shaft connecting rod	1
24	10126006	送料连杆销	Connecting rod pin	1
25	101S16003	螺母SM9/32"x28	Hinge Screw SM9/32"x28	1
26	101S11023	螺钉SM3/16"x28 L=6.5	Screw SM3/16"x28 L=6.5	1
27	13803021	倒送料轴后轴套	Reverse feed shaft bushing back	1
28	13822003	倒送料轴O形圈	Rubber ring	1
29	13802010	倒送料轴	Reverse feed shaft	1
30	13803020	倒送料轴中套	Reverse feed shaft bushing mid	1
31	13822056	倒送料轴中套油封	Mid bushing oil seal	1
32	13831055	倒送料轴	Reverse feed lever	1
33	138S10010	螺钉M5 L=8	Screw M5 L=8	1
34	101S15002	螺钉SM1/4"x40 L=6	Screw SM1/4"x40 L=6	4
35	10108003	送料轴挡圈	Feed rocker shaft snap ring	2
36	10403015	轴套	Bushing	2
37	H03001	GB/T894.1-1986挡圈 15	Snap ring 15	2
38	10104003	抬牙叉形曲柄	Driving shaft crank	1
39	101S11020	螺钉SM11/64"x40 L=10.5	Screw SM11/64"x40 L=10.5	1
40	12814001	送料牙	Feed dog	1
40	12814002	送料牙 (1/4)	Feed dog (1/4)	1
41	470060	牙架	Feed bar asm	1
42	101S11016	螺钉SM3/16"x28 L=14	Screw SM3/16"x28 L=14	1
43	10128003	牙架座螺钉垫圈	Washer	1
44	101S11025	螺钉SM11/64"x40 L=7	Screw SM11/64"x40 L=7	1
45	10401007	牙架销	Feed bar pin	1
46	480095	牙架座	Feed bar bed	1
47	101S11018	螺钉SM1/8"x44 L=6	Screw SM1/8"x44 L=6	2
48	101S15010	螺钉SM15/64"x28 L=10.5	Screw SM15/64"x28 L=10.5	1
49	10126009	送料摆动板座左销	Left pin	1
50	10126007	短摆动板连杆销	Connecting pin	2
51	10109005	送料短摆动板	Feed short shaking plate	2
52	10109004	送料长摆动板	Feed long shaking plate	2
53	1400100600	摆动板座分部件	Shaking plate bed components	1
54	10126010	送料摆动板座右销	Right pin	1
55	113S14010	螺钉SM15/64"x28 L=12	Screw SM15/64"x28 L=12	1
56	11427011	送料调节弹簧	Spring	1
57	11329020	开口挡圈5	Snap ring 5	2
58	13812081	拉簧固定板	Pull spring fixing plate	1
59	13827006	倒送料拉簧	Reverse feed pull spring	1
60	1140402700	倒送料曲柄组件	Feed reverse crank asm.	1
61	11321005	油管	Tube	1
62	114S30007	螺钉SM11/64"x40 L=7.5	Screw SM11/64"x40 L=7.5	1
63	114S16004	螺母SM11/64"x40	Nut SM11/64"x40	1
64	S01102	螺钉SM3/16"x28 L=18	Screw SM3/16"x28 L=18	1
65	10102008	送料轴	Feed rocker shaft	1
66	11202001	抬牙轴	Feed driving shaft	1
67	S10035	螺钉M5 L=8	Screw M5 L=8	1
68	11380700300	牙架组件 (成品)	Feed bar asm	1



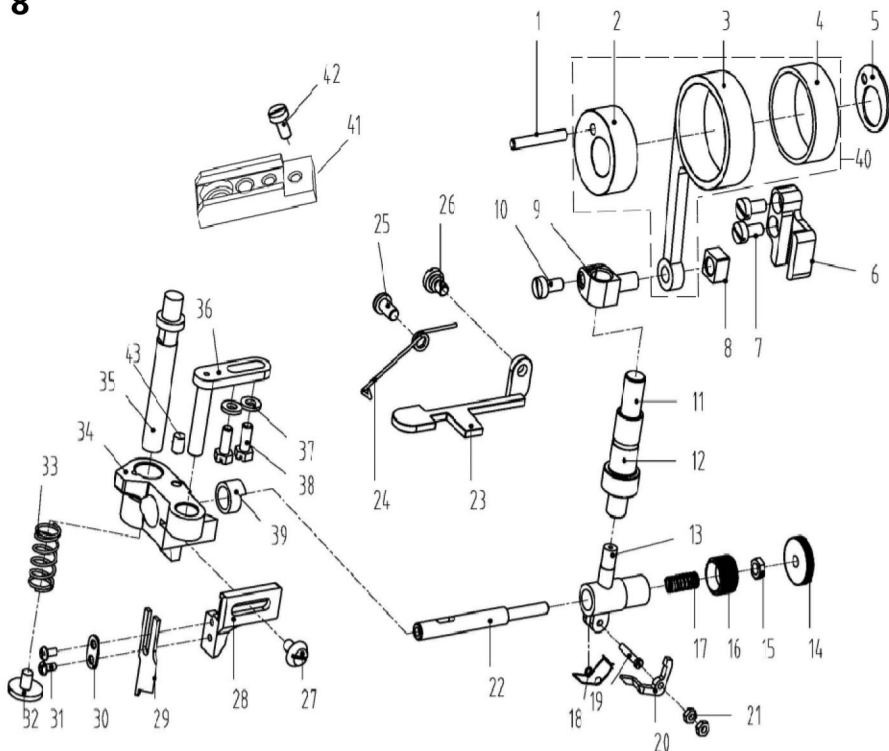
6. 切线装置部件/Thread Trimmer Components

序号 NO	公司件号 Part NO	名称 PartName	零件描述 Description	数量 Number
1	113S15002	螺钉SM1/8"x44 L=9.5	Screw SM1/8"x44 L=9.5	1
2	115019001	定刀	Secant knife	1
3	113S17001	螺钉SM9/64"x40 L=6	Screw SM9/64"x40 L=6	1
4	11312003	护针片	Needle guard patch	1
5	201S11009	螺钉SM9/64"x40 L=5.5	Screw SM9/64"x40 L=5.5	1
6	113S11001	螺钉SM11/64"x40 L=12	Screw SM11/64"x40 L=12	2
7	10128003	牙架座螺钉垫圈	Washer	2
8	1381203100	刀架压板组件	Knife bracket press component	1
9	13812031	刀架压板	Knife bracket press	1
10	13803012	短套	Short bushing	2
11	113S17002	螺钉SM11/64"x40 L=4.4	Screw SM11/64"x40 L=4.4	2
12	11319002	活动刀	Motiorial knife	1
13	11307001	剪线刀架	Knife bracket	1
14	113S20001	连杆螺钉SM11/64"x40	Hinge Screw SM11/64"x40	2
15	11312005	连杆	Connecting rod	1
16	114S16004	螺母SM11/64"x40	Nut SM11/64"x40	1
17	11304001	曲柄	Crank	1
18	113822014	驱动曲柄止动块	Crank driver stopper block	1
19	S05004	螺钉M5 L=14	Screw M5 L=14	1
20	11327001	弹簧	Spring	1
21	11230004	14孔接线器	Plug	1
22	11230005	电线插针	Pin	1
23	12803008	切线轴套	Thread cutting shaft bushing	1
24	11503005	驱动曲柄轴衬套	Crank drive shaft bushing	1
25	113S14020	螺钉SM11/64"x40 L=6	Screw SM11/64"x40 L=6	1
26	11322002	扭簧端盖	Spring cover	1
27	11327002	弹簧	Spring	1
28	12802015	切线凸轮曲柄轴	Crank shaft	1
29	101S14001	螺钉SM1/4"x40 L=6	Screw SM1/4"x40 L=6	1
30	116S14005	螺钉SM1/4"x40 L=10	Screw SM1/4"x40 L=10	2
31	11309030	凸轮顶柱	Push rod	2
32	11310004	凸轮	Cam	1
33	11324001	滚柱	Roolling pin	1
34	1138NS16007	螺母SM11/64"x40	Nut SM11/64"x40	1
35	1130400500	剪线驱动组件	Thread trimmer drive asm	1
36	11302002	轴	Shaft	1
37	11322001	驱动曲柄止动块	Positioning block	1
38	H05013	GB/T896-1986挡圈6	Snap ring 6	1
39	10112003	针杆曲柄护板	Cunter weight protecting	1
40	11322003	电磁铁缓冲片	Solenoid cushion rubber	1
41	11309001	切线电磁铁顶销	Solenoid pin	1
42	101S11026	螺钉SM15/64"x28 L=9	Screw SM15/64"x28 L=9	1
43	11312006	切线磁铁支架	Solenoid bracket	1
44	N01005	螺母 M4	Nut M4	2
45	W02018	GB/T93-1987弹簧垫圈4	Washer 4	2
46	112S16006	螺母SM1/4"X40	Nut SM1/4"X40	1
47	113822005	垫圈	Washer	1
48	1383003300	剪线电磁铁组件	Thread trimmer solenoid asm.	1
49	11327003	弹簧	Spring	1
50	11312007	松线座	Thread release bed	1
51	113S20002	螺钉SM1/4"x28 L=13	Screw SM1/4"x28 L=13	1



7. 润滑组件/Oil Lubrication Components

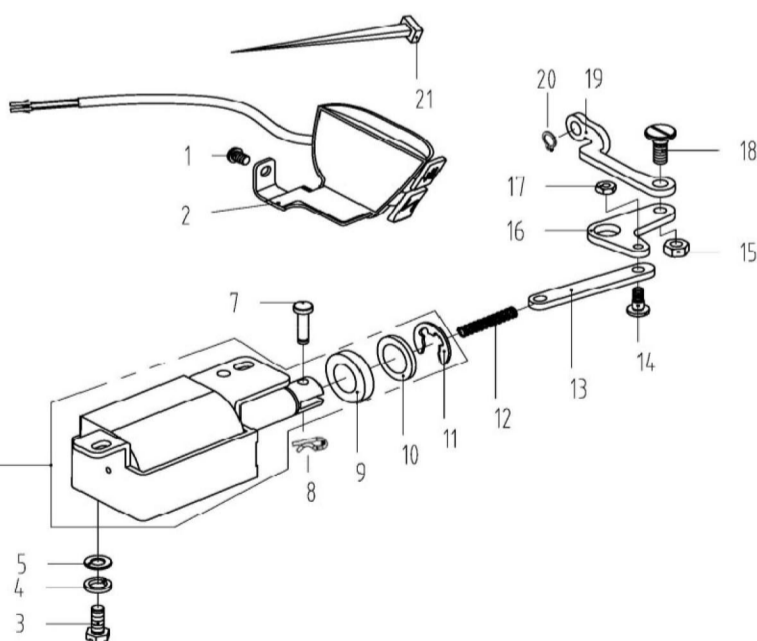
序号 NO	公司件号	Part NO	名称	PartName	零件描述	Description	数量	Number
1	11211004		油窗		Oil sight window		1	
2	10122019		油窗O形圈		Rubber ring		1	
3	14121001		上轴供油管		Main shaft oil tube		1	
4	112530005		油泵连接螺柱		Oil pump connecting stud		1	
5	11329010		开口挡圈10		Snap ring 10		1	
6	10121001		下轴供油管		Hook driving shaft oil tube		1	
7	10112020		油泵安装板		Oil pump installing base		1	
8	W03002		弹垫		Spring washer		1	
9	209512001		螺钉SM11/64*×40 L=10.5		Screw SM11/64*×40 L=10.5		1	
10	10103022		油泵体衬套		Oil pump bushing		1	
11	101530007		螺钉M7×0.75 L=5		Screw M7×0.75 L=5		1	
12	10127013		柱塞簧		Plunger spring		1	
13	10122018		回油柱塞		Plunger		1	
14	10120001		油泵体		Oil pump		1	
15	S04093		螺钉M3 L=6		Screw M3 L=6		3	
16	10111003		油泵叶轮		Oil pump impeller		1	
17	10112021		油泵叶轮托板		Oil pump impeller cover		1	
18	10111007		油泵盖		Lubricating oil pump cover		1	
19	101530006		螺钉ST2.9 L=10		Screw ST2.9 L=10		3	
20	1012000100		油泵分部件		Lubricating oil pump component		1	
21	116530003		螺钉SM15/64*×28 L=14.5		Screw SM15/64*×28 L=14.5		1	
22	10136001		供油管接头		Rubber joint		1	
23	W02004		GB/T93-1987弹垫M6		Spring Washer M6		1	
24	13821015		供油管		Hook oil tube		1	
25	11312031		挡油罩		Oil shield cover		1	
26	13827014		油量调节螺钉弹簧		Spring		1	
27	113530001		螺钉SM11/64*×40 L=19		Screw SM11/64*×40 L=19		1	
28	10423005		油线		Oil wick		1	
29	10127015		回油毡夹		Oil felt clamp		1	
30	10123006		回油毡		Oil felt felt		1	
31	101511004		螺钉SM3/16*×28 L=7		Screw SM3/16*×28 L=7		1	
32	10112023		回油管夹		Oil tube clamp		1	
33	10121007		回油管部件		Oil return tube component		1	
34	10121008		回油管		Oil return tube		1	



8. 切刀专用部件 Knife Components

序号 NO	公司件号 Part NO	名称 PartName	零件描述 Description	数量 Number
1	12726001	切刀凸轮销	Pin	1
2	12710002	切刀凸轮	Knife cam	1
3	12705003	切刀连杆	Knife connecting rod	1
4	1272400100	切刀连杆轴承	Knife connecting rod bearing	1
5	12812005	切刀凸轮盖板	Cover plate	1
6	12809001	切刀滑块导轨	Slide bolck guide rail	1
7	101511020	螺钉SM11/64*×40 L=10.5	Screw SM11/64*×40 L=10.5	2
8	12809002	切刀滑块	Slide bolck	1
9	12804002	切刀轴连接柱	Knife driving stud connection asm	1
10	209511009	螺钉SM9/64*×40 L=9.5	Screw SM9/64*×40 L=9.5	1
11	12802006	切刀轴	Knife shaft	1
12	12803001	切刀轴衬套	Bushing	1
13	12804003	切刀离合支架	Knife driving rod clutch bracket	1
14	12811001	切刀离合销旋扭	Knob	1
15	201516003	螺母SM11/64*×40	Nut SM11/64*×40	1
16	12801002	切刀离合销盖	Cap	1
17	12827001	切刀离合销簧	Spring	1
18	12827002	切刀放松杆簧	Spring	1
19	12826002	切刀放松杆销	Pin	1
20	12805001	切刀放松杆	Knife release rod	1
21	N01018	六角螺母M2.5	Nut M2.5	2
22	12826001	切刀离合销	Knife driving rod clutch pin	1
23	12812031	切刀座下压手柄	Knife bed component pull down handle	1
24	12827008	扭力弹簧	Spring	1
25	128511001	螺钉M3/16*×28 L=14	Screw SM3/16*×28 L=14	1
26	128520005	切刀手柄轴位螺钉SM11/64*×40	Axial Screw SM11/64*×40	1
27	128517001	螺钉SM11/64*×40 L=8	Screw SM11/64*×40 L=8	1
28	12801004	切刀架	Knife bracket	1
29	112819001	上切刀	Knife	1
30	12812006	上切刀压板	Press plate	1
31	101511018	螺钉SM1/8*×44 L=6	Screw SM1/8*×44 L=6	2
32	101511023	螺钉SM3/16*×28 L=6.5	Screw SM3/16*×28 L=6.5	1
33	112827001	切刀座复位簧	Spring	1
34	1280100300	切刀座部件	Knife bed component	1
35	12802021	切刀座轴	Knife bed shaft	1
36	12805004	切刀座导杆	Knife bed guide rod	1
37	12828001	切刀座导杆螺钉垫圈	Washer	2
38	209512001	螺钉SM11/64*×40 L=8	Screw SM11/64*×40 L=8	2
39	12803003	切刀座部件右套	Knife bed component bushing right	1
40	1270500300	切刀连杆组件	Knife connecting rod asm	1
41	12804004	定刀片固定架	Secant knife fixed mount	1
42	101511008	螺钉SM11/64*×40 L=8	Screw SM11/64*×40 L=8	1
43	125515003	螺钉SM11/64*×40 L=5	Screw SM11/64*×40 L=5	1

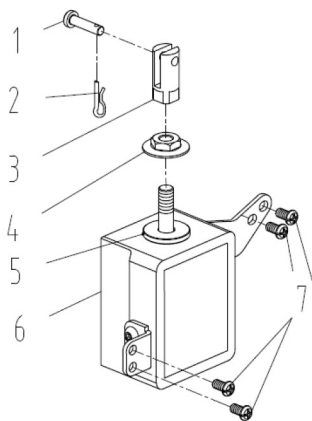
9



9. 自动倒送料开关组件/Automatic Reverse Feed Components

序号 NO	公司件号 Part NO	名称 PartName	零件描述 Description	数量 Number
1	101511004	螺钉SM3/16*×28 L=7	Screw SM3/16*×28 L=7	1
2	11283000800	双开关组件	Auto reverse feed switch asm	1
3	116530003	螺钉SM15/64*×28 L=14.5	Screw SM15/64*×28 L=14.5	2
4	W02004	GB/T93-1987弹垫M6	Spring washer M6	2
5	11628005	拾牙叉固定螺钉垫圈	Washer	2
6	1383003400	自动倒送料电磁铁	Auto reverse feed solenoid	1
7	11326005	销子	Snap ring	1
8	113829001	R形弹性开口销φ1.5	Cotter pin	1
9	11322040	橡胶垫片	Washer	1
10	11328031	垫片	Snap ring	1
11	H05014	GB/T896-1986开口挡圈12	Plunger spring 12	1
12	11227006	自动倒送料连杆顶簧	Auto reverse feed connecting rod	1
13	13812034	自动倒送料连杆	Hinge Screw SM11/64*×40	1
14	112520002	曲柄短螺母SM11/64*×40	Nut SM1/4*×28	1
15	112516007	曲柄长螺母SM1/4*×28	Auto reverse feed crankSM1/4*×28	1
16	11204003	自动倒送料曲柄	Nut SM11/64*×40	1
17	112516008	曲柄短螺母SM11/64*×40	Hinge Screw SM1/4*×28	1
18	112520001	曲柄长螺母SM1/4*×28	Auto reverse feed pull shaft	1
19	114112024	自动倒送料拉杆	Auto reverse feed pull shaft	1
20	14029003	轴用弹性挡圈7	External Circlips 7	1
21	113811004	尼龙扎带	Cable band	4

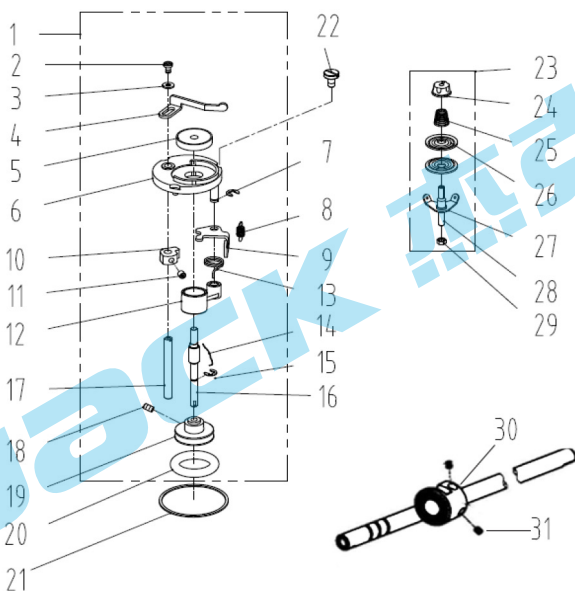
10



10 自动抬压脚组件/Auto Lifter Components

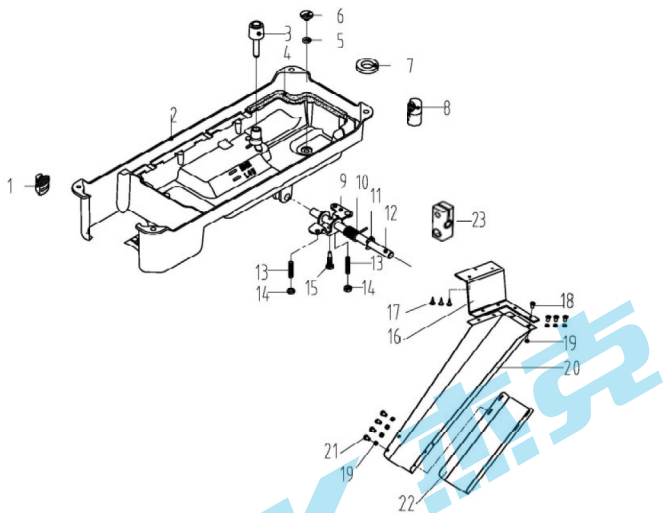
序号 NO	公司件号 Part NO	名称 PartName	零件描述 Description	数量 Number
1	11326005	销子	Pin	1
2	113829001	R形弹性开口销φ1.5	Cotter pin	1
3	11326006	电磁铁接头	Solenoid connector	1
4	113516004	法兰螺母M8	Flange nuts M8	1
5	11322008	电磁铁上垫片	Washer	1
6	11383001300	电磁铁组件	Solenoid asm	1
7	101511001	螺钉SM3/16"×28 L=9	Screw SM3/16"×28 L=9	4

11



11. 绕线器组件/ Bobbin Components

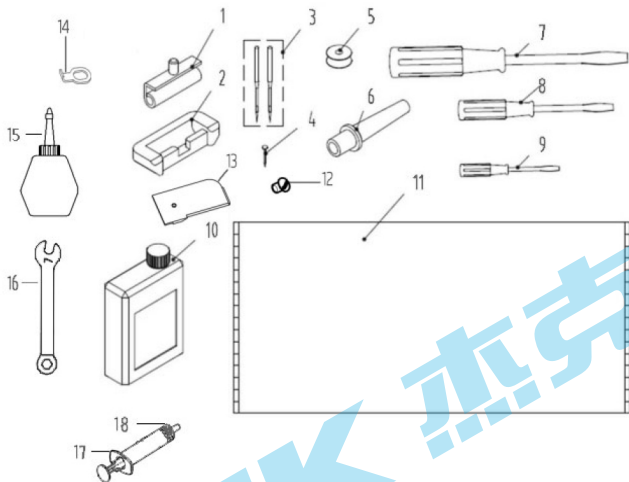
序号NO	公司件号 Part NO	名称 PartName	零件描述 Description	数量 Number
1	1383103900	绕线器组件	Bobbin winder asm	1
2	114511008	螺钉M4 L=6	Screw M4 L=6	1
3	W01142	垫圈4	Washer	1
4	10113030	压线控制板	Thread press control plate	1
5	10111120	绕线衬垫	Winding pad	1
6	13831101	绕线器装置主座	Bobbin winder bed	1
7	H05006	开口挡圈5	Snap ring 5	1
8	10127061	复位板拉簧	Spring	1
9	13812110	调节板	Regulating plate	1
10	10110030	绕线凸轮	Bobbin winder cam	1
11	S09045	螺钉M5 L=5	Screw M5 L=5	1
12	1380510600	绕线器连杆组件	Bobbin winder connecting rod	1
13	13827103	满线复位簧	Spring	1
14	10127060	弹簧	Spring	1
15	H05909	开口挡圈4	Snap ring 4	1
16	13802111	绕线器主轴	Bobbin winder main shaft	1
17	13802026	绕线凸轮轴	Bobbin winder cam shaft	1
18	S09103	螺钉M4 L=4	Screw M4 L=4	2
19	13831102	绕线轮	Bobbin winder wheel	1
20	O01110	O型圈	Ring	1
21	11422062	密封垫	Washer	1
22	114511003	螺钉SM3/16"×28 L=10	Screw SM3/16"×28 L=10	3
23	1411300600	底线夹线器	Bobbin thread tension asm	1
24	141516019	夹线螺母	Thread tension nut	1
25	11427006	小夹线弹簧	Spring	1
26	14112015	夹线板	Thread tension disk	2
27	11413022	夹线过线板	Thread tension guide plate	1
28	112513004	夹线螺钉	Screw	1
29	114516001	螺母SM11/64"×40	Nut SM11/64"×40	1
30	12801005	切刀连杆平衡锤	Balance	1
31	402511012	螺钉SM15/64"×28 L=9	Screw SM15/64"×28 L=9	2



12. 油盘、膝抬压脚分组件/Oil Ceservoir & Knee Lifter Components

序号 NO	公司件号	Part NO	名称	PartName	零件描述	Description	数量	Number
1	10122022		油盘座垫		Oil reservoir rubber cushion		2	
2	12801006		油盘		Oil reservoir		1	
3	10111005		抬压脚顶杆		Knee lifter push rod		1	
4	10122020		油盘垫		Oil Reservoir gasket		1	
5	10122021		O形圈		Rubber ring		1	
6	101511028		螺钉SM5/16"×24 L=7		Screw SM5/16"×24 L=7		1	
7	10131001		油盘磁铁		Oil reservoir magnet		1	
8	10122023		油盘支架		Oil reservoir rubber cushion		2	
9	10112027		抬压脚双向曲柄		Knee lifter crank		1	
10	10127016		双向曲柄扭簧		Knee lifter spring		1	
11	H05010		GB/T896-1986挡圈10		Snap ring 10		1	
12	10102011		抬压脚轴		Knee lifter shaft		1	
13	101515012		螺钉M6 L=30		Screw M6 L=30		2	
14	101516004		螺母M6 L=4		Nut M6 L=4		2	
15	101512002		螺钉M6 L=26		Screw M6 L=26		1	
16	301012		导屑滑板支架		Wood material chute holder		1	
17	128530001		导屑滑板支架木螺钉M4x16		Wood screwM4x16		3	
18	S13001		螺钉M4 L=10		Screw M4 L=10		4	
19	N01015		螺母M4		Nut M4		8	
20	301011		导屑滑板		Wood material chate		1	
21	S13002		螺钉M4 L=8		Screw M4 L=8		4	
22	301015		导屑连接滑板		Waste material cute		1	
23	10101008		抬压脚操纵杆节头		Bearing bracket		1	

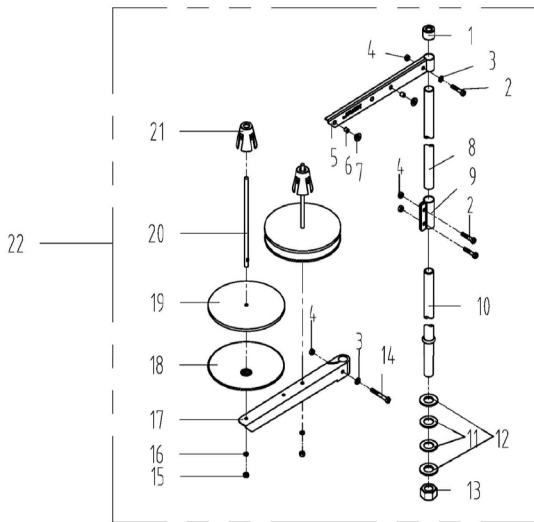
13 (1)



13. 机头附件 (1) /Machine Head Accessories (1)

序号 NO	公司件号	Part NO	名称	PartName	零件描述	Description	数量	Number
1	1011203100		机头连接钩部件		Hinge component		2	
2	10122060		机头连接钩座		Head connecting rubber cushion		2	
3	10117001		机针DB×1#14		NeedleDB×1#14		4	
4	101530010		机头连接钩座钉 (P19)		Nail (p19)		6	
5	10118003		梭心		Bobbin		2	
6	10111011		机头支柱		Machine head rest pin		1	
7	20731047		螺丝刀 (大)		Screw driver (large)		1	
8	10131003		螺丝刀 (中)		Screw driver (medium)		1	
9	10131004		螺丝刀 (小)		Screw driver (small)		1	
10	1011101200		油箱部件		Oiler component		1	
11	114131001		防尘罩		Dust cover		1	
12	305S11005		螺钉SM9/64*×40 L=4		Screw SM9/64*×40 L=4		1	
13	12815006		针板盖		Needle plate cover		1	
14	12812004		压板弹簧		Spring		1	
15	20131038		小油壶		Oiler component		1	
16	20131042		扳手 (7mm)		Wrench (7mm)		1	
17	11411029		注射器		Syringe		1	
18	11431038		进口黄油		Butter		0.003Kg	

13 (2)



13. 机头附件 (2) -线架组件/Machine Head Accessories (12)-Thread Stand Components

序号 NO	公司件号	Part NO	名称	PartName	零件描述	Description	数量	Number
1	20131019		线架杆顶防护橡皮		Spool rest rod rubber cap		1	
2	S04050		十字槽凹穴六角头螺栓 M5 L=16		Screw M5 L=16		3	
3	W01047		垫圈M5		Washer M5		2	
4	N01034		螺母M5		Nut M5		4	
5	13831022		上线架过线杆		Spool rest arm upper		1	
6	10113011		过线圈 (内)		Thread guide ring		2	
7	10113010		过线圈(外)		Thread guide ring		2	
8	13831019		线架杆上节		Spool rest rod upper		1	
9	13831021		线架杆接头		Spool rest rod joint		1	
10	13831020		线架杆下节		Spool rest rod lower		1	
11	10122106		橡胶垫圈		Spool rest rod rubber ring		2	
12	W01052		垫圈M16		Washer M16		2	
13	N02008		螺母 M16		Spool rest rod nut M16		1	
14	S04051		十字槽凹穴六角头螺栓 M5		Spool rest arm lower screw M5		1	
15	N01034		螺母 M5		Nut M5		2	
16	W03002		弹簧垫圈 M5		Spring washer M5		2	
17	13831023		下线架过线杆		Spool rest arm lower		1	
18	13831024		线盘		Spool rest		2	
19	20131010		线盘垫		Spool rest cushion		2	
20	20131006		线盘钉		Spool pin		2	
21	13831025		线团防松散		Spool retainer		2	
22	1383100300		线架组件		Thread stand asm.		1	

杰克缝纫机股份有限公司

杰克缝纫机
全球销量遥遥领先

公司地址(Address of Company) : 中国浙江省台州市椒江区三甲东海大道东段1008号
NO.1008, DONGHAI AVENUE EAST, JIAOJIANG DISTRICT,TAIZHOU CITY, ZHEJIANG
邮编(Zip Code): 318000

国内销售部(Domestic Trade Department):
电话(TEL): 0086-0576-88177788 88177789
传真(FAX): 0086-0576-88177758

国贸部(International Trade Department):
电话(TEL): 0086-0576-88177782 88177774
传真(FAX): 0086-0576-88177787

服务热线: 400-8876858
<http://www.chinajack.com>

资料如有更改, 恕不另行通知, 以实物为准。

You will be not informed if the file has been revised.Please set sample as standard.

日期: 2020.12



请扫描下方二维码