
开头语

衷心感谢您购买本公司产品！使用缝纫机之前，请认真阅读此说明书。本说明书介绍了缝纫机日常使用、维护与安全的有关注意事项。请您仔细加以保管，以便日后查阅。如产品规格或外观经过改良可能会与说明书略有不同，恕不另行通知。

PROLOGUE

Thanking you for your purchase our products sincerely, please reading the manual book before operation, the book introduce some points how to operate, maintenance, and safe. Please keep it carefully for reading in the further; you will be not informed if the file has been revised. Please set sample as standard.

IMPORTANT SAFETY INSTRUCTIONS

Putting sewing systems into operation is prohibited until it has been ascertained that the sewing systems in which these sewing machines will be built into, have conformed with the safety regulations in your country. Technical service for those sewing systems is also prohibited.

1. Observe the basic safety measures, including, but not limited to the following ones, whenever you use the machine.
2. Read all the instructions, including, but not limited to this instruction Manual before you use the machine. In addition, keep this Instruction Manual so that you may read it at anytime when necessary.
3. Use the machine after it has been ascertained that it conforms with safety rules/standards valid in your country.
4. All safety devices must be in position when the machine is ready for work or in operation. The operation without the specified safety devices is not allowed.
5. This machine shall be operated by appropriately-trained operators.
6. For your personal protection, we recommend that you wear safety glasses.
7. For the following, turn off the power switch or disconnect the power plug of the machine from the receptacle.
 - 7-1 For threading needle(s), looper, spreader etc. and replacing bobbin.
 - 7-2 For replacing part(s) of needle, presser foot, throat plate, leeper, spreader, feed dog, needle guard, folder, cloth guide etc.
 - 7-3 For repair work,
 - 7-4 When leaving the working place of when the working place is unattended.
 - 7-5 When using clutch motors without applying brake, it has to be waited until the motor stopped totally.
8. If you should allow oil, grease, etc. used with the machine and devices to come in contact with your eyes or skin or swallow any of such liquid by mistake, immediately wash the contacted areas and consult a medical doctor.

9. Tampering with the live parts and devices, regardless of whether the machine is powered, is prohibited.
10. Repair, remodeling and adjustment works must only be done by appropriately trained technicians or specially skilled personnel. Only spare parts designated by **JACK** can be used for repairs.
11. General maintenance and inspection works have to be done by appropriately trained personnel
12. Repair and maintenance works of electrical components shall be conducted by qualified electric technicians or under the audit and guidance of specially skilled personnel. Whenever you find a failure of any of electrical components, immediately stop the machine.
13. Before making repair and maintenance works on the machine equipped with pneumatic parts such as an air cylinder, the air compressor has to be detached from the machine and the compressed air supply has to be cut off. Existing residual air pressure after disconnecting the air compressor from the machine has to be expelled. Exceptions to this are only adjustments and performance checks done by appropriately trained technicians or specially skilled personnel.
14. Periodically clean the machine throughout the period of use.

15. Grounding the machine is always necessary for the normal operation of the machine. The machine has to be operated in an environment that is free from strong noise sources such as high-frequency welder.
16. An appropriate power plug has to be attached to the machine by electric technicians. Power plug has to be connected to a grounded receptacle.

17. The machine is only allowed to be used for the purpose intended. Other used are not allowed.
18. Remodel or modify the machine in accordance with the safety rules/standards while taking all the effective safety measures. **JACK** assumes no responsibility for damage caused by remodeling or modification of the machine.

19. Warning hints are marked with the two shown symbols.



Danger of injury to operator or service staff



Items requiring special attention



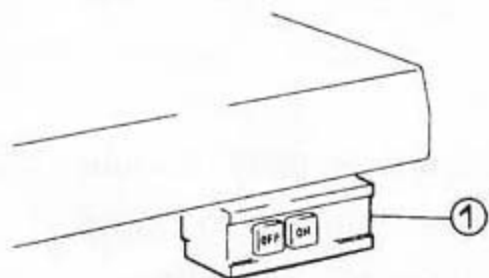
为了安全

对于缝纫机本身及各种装置，我们充分考虑到它的安全性。请遵照基本的操作方法，安全的进行工作

- 拆除为保证安全所设置的装置、零件的情况下使用，是非常危险的，请绝对不要拆除后使用。
- 缝纫机在使用时，请不要在缝纫机台板上放置工具及缝纫时不必要的物品。
- 在对缝纫机进行检修、调节、清扫、穿线、换针等时，为防止发生事故，务必请切断电源。在确定即使踩缝纫机踏板，缝纫机也不动之后，再进行操作。

注意

使用离合式马达的情况下，在关掉电源①后因惯性作用马达仍会继续旋转。这时如不注意踩动缝纫机踏板②时，缝纫机会突然动作，这是很危险的。请在关掉电源后，仍继续踩动踏板②，直至缝纫机完全停下来为止。



- 在离开缝纫机台时，务必请关掉电源。
- 停电时也请务必关掉电源。
- 为了总是安全地、运转良好的使用缝纫机，日常的检点是不可缺少的。请予以注意。



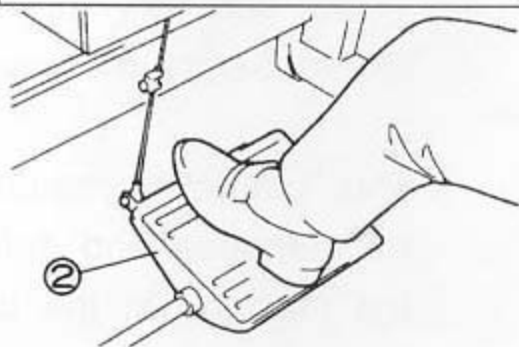
CAUTION

OBSERVE THESE SAFETY PRECAUTIONS
Though JACK takes the utmost care to produce safe sewing machines and devices, operators should follow these basic safety rules.

- To prevent accidents, do not remove safety devices or parts while operating the machine.
- Do not leave tools or other unnecessary objects on the machine table while operating the machine.
- Before maintenance, adjusting, cleaning, threading or replacing the needle, and to prevent accidents, be sure the power is turned off. Check that the machine will not operate when the pedal is pressed.

Note

In case a clutch type motor is used, it will keep on rotating by inertia after turning off power supply. ① If the machine pedal ② is stepped on inadvertently, it is dangerous because the machine will move unexpectedly. keep on stepping on the pedal ② until the machine comes to a stop after turning off power supply.



- Turn the power off before leaving the machine table.
- In the event of a power failure, be sure to turn the machine off.
- Check that the machine is securely grounded.

重要安全事项

此缝纫机在有的国家（设置场所）由于该国的安全规定而被禁止使用。
同时，技术服务也同样被禁止。

1. 使用此缝纫机时，必须遵守包括如下项目的基本安全措施。
2. 使用此缝纫机之前，请阅读本使用说明书在内的所有指示文件。
同时应将此使用说明书妥善保管，以便能够随时查阅。
3. 此缝纫机应与贵国的有关安全规定一起使用。
4. 使用此缝纫机和缝纫机动作中，所有的安全装置应安装到规定的位置。
没有安装规定的安全装置的缝纫机禁止使用。
5. 此缝纫机应由接受过培训的操作人员来操作。
6. 使用缝纫机时，建议戴安全防护眼镜。
7. 发生下列情况时，应立即关掉电源开关，或拔下电源线插头。
 - 7-1 机针、弯针、分离器等穿线和调整挑线机构时。
 - 7-2 更换机针、压脚、针板、弯针、分离器、送布牙、护针器、支架、布导向器等时。
 - 7-3 修理时。
 - 7-4 工作场所无人了或离开工作场所时。
 - 7-5 使用离合马达时，请等待马达完全停止之后再行。
8. 缝纫机以及附属装置使用的机油、润滑脂等液体流入眼睛或沾到皮肤上时，或被误饮时，应立即清洗有关部份并去医院治疗。

9. 禁止用手触摸打开了缝纫机开关通电的零件或装置。
10. 有关缝纫机的修理、改造、调整应由受过专门训练的技术人员或专家进行。
11. 一般的维修保养应由受过训练的人员来进行。
12. 有关缝纫机的电气方面的修理、维修应由有资格的电气技术人员或专家的监督和指导下进行。
13. 修理、保养有关空气、气缸等压缩空气的零件时，应切断空气压缩机供气源后再进行。
如有残留压缩空气时，应放掉压缩空气。
但，受过相当训练的技术人员或专家进行有关调整或确认动作时除外。
14. 缝纫机在使用期间应定期进行清扫。

15. 为了正常安全运转，应安装地线。同时应在不受高频焊接机等强噪音源影响的环境下使用。
16. 电源插头应用具有电气专门知识的人来安装。电源插头必须连接到接地插座上。

17. 缝纫机指定用途以外不能使用。
18. 对缝纫机的改造、变更应符合安全规格，并采取有效的安全措施。
另外，对于有关改造和变更，JACK 公司概不负责。

19. 本使用说明书上采用以下 2 个警告符号。





有损伤操作人员、维修人员的危险。



安全上需要特别加以注意的事项。

运转缝纫机前的注意事项

 危险	1. 为了防止发生触电事故，请不要在打开电源的状态下，打开电气箱盖以及触摸电气箱内的零件。
 注意	<ol style="list-style-type: none">1. 为了防止人身事故的发生，请不要在卸下皮带防护罩、手指防护器等安全装置的状态下运转缝纫机。2. 为了防止被卷入机器的人身事故，缝纫机运转中请不要将手指、头发、衣服靠近皮带轮、V形皮带、马达、也不要东西放到机器上面。3. 为了防止人身事故的发生，打开电源时以及缝纫机运转中，请不要把手指放到机针附近和切刀附近。3. 为了防止人身事故的发生，缝纫机运转中请不要把手指放到挑线杆外罩内。5. 缝纫机操作中，弯针高速地摆动。为了防止手受到伤害，运转中请绝对不要把手靠近弯针。6. 为了防止人身事故的发生，放倒缝纫机或返回原来位置时，要注意不要夹住手。6. 为了防止突然的启动造成人身事故，放倒缝纫机时，或卸皮带罩和V形皮带时，请一定关掉电源。8. 使用伺服马达时，缝纫机停止马达无声音。为了防止意外的启动造成人身事故，请注意不要忘记关电源9. 为了防止触电事故，卸下电源地线的状态，请不要运转缝纫机。10. 为了防止触电和损坏电气零件，拔电源的插头时，请先关掉机器电源开关。

运转缝纫机前的注意事项





注意

为了防止机械的错误动作或损伤，请确认如下项目。

- 最初使用缝纫机之前，请把机器打扫干净。
- 清除运送中积存的灰尘，并加油。
- 请确认电压设定是否正确。
- 请确认电源插头是否正确连接。
- 电压规格不同时，请绝对不要使用。
- 确认缝纫机的转动方向，请注意不要让缝纫反向转动。

FOR SAFE OPERATION

	1. To avoid electrical shock hazards, neither open the cover of the electrical box for the motor nor touch the components mounted inside the electrical box.
	<ol style="list-style-type: none">1. To avoid personal injury, never operate the machine with any of the belt cover, finger guard or safety devices removed.2. To prevent possible personal injuries caused by being caught in the machine, keep your fingers, head and clothes away from the handwheel, V belt and the motor while the machine is operation. In addition, place nothing around them.3. To avoid personal injury, never put your hand under the needle when you turn "ON" the power switch or operate the machine.4. To avoid personal injury, never put your fingers into the thread take-up cover while the machine is in operation.5. The hook rotates at a high speed while the machine is in operation. To prevent possible injury to hands, be sure to keep your hands away from the vicinity of the hook during operation. In addition, be sure to turn OFF the power to the machine when replacing the bobbin.6. To avoid possible personal injuries, be careful not to allow your fingers in he machine when tiling/raising the machine head.7. To avoid possible accidents because of abrupt start of the machine, turn off the power to the machine when tilting the machine head or removing the belt cover and the V belt.8. If your machine is equipped with a servo-motor, the motor does not produce noise while the machine is at rest. To avoid possible accidents due to abrupt start of the machine, be sure to turn OFF the power to the machine.9. To avoid electrical shock hazards, never operate the sewing machine with the ground wire for the power supply removed.10. To prevent possible accidents because of electric shock or damaged electrical component(s), turn OFF the power switch in prior to the connection/disconnection of the power plug

BEFORE OPERATION



CAUTION:

To avoid malfunction and damage of the machine, confirm the following.

- Befor you put the machine into operation for the first time the set-up, clean it thoroughly.
- Remove all dust gathering during transportation and oil it well.
- Confirm that the power plug has been properly connected to the power supply.
- Never use the machine in the state where the voltage type is different from the designated one.
- The direction of rotation of the sewing machine is counterclockwise as observed from the handwheel side. Be careful not rotate it in reverse direction.

目录

COTENTS

○ 台板加工图 Schematic diagram of the machine table	1
○ 缝纫机的安装方法 Installing machine head	2
○ 缝纫机的旋转方向及转数 The machine speed and the turning direction	3
○ 供油 Lubrication	4
○ 手动供油 Manual lubrication	5
○ 压脚压力的调节 Presser foot pressure	6
○ 差动比的调节 Diff. feed ratio	7
○ 针脚长度的调节 Stitch length	8
○ 线状态的调节 Thread tention	9
○ 缝纫机的清扫 Cleaning the machine	10
○ 换针 Replacing the needle	11
○ 检查机油的循环 Checking the oil circulation	12
○ 换机油 Checking the oil	13
○ 下刀片的更换 Replacing the lower knife	14
○ 调整标准参数表 Adjustment dimensions	15
○ 机针标准 针号对照表 Standard needle Comparison table of epuivalent sizes	16
○ 标准度量零件表 Gauge Parts List	17-67

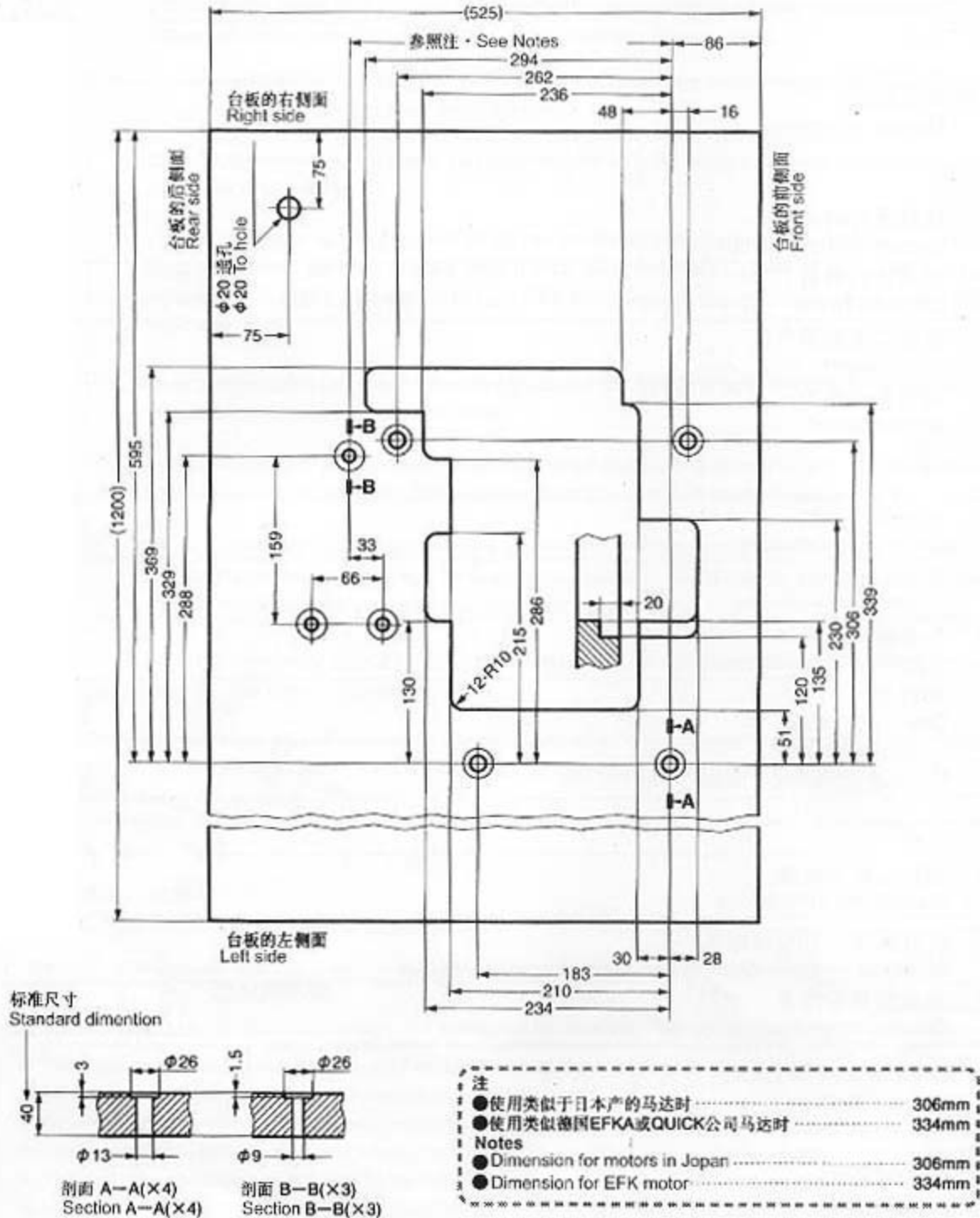
在使用之前
BEFORE OPERATING

台板加工图

Schematic diagram of the machine table

请参照下图进行台板的加工。

Cut the table referring to the diagram.

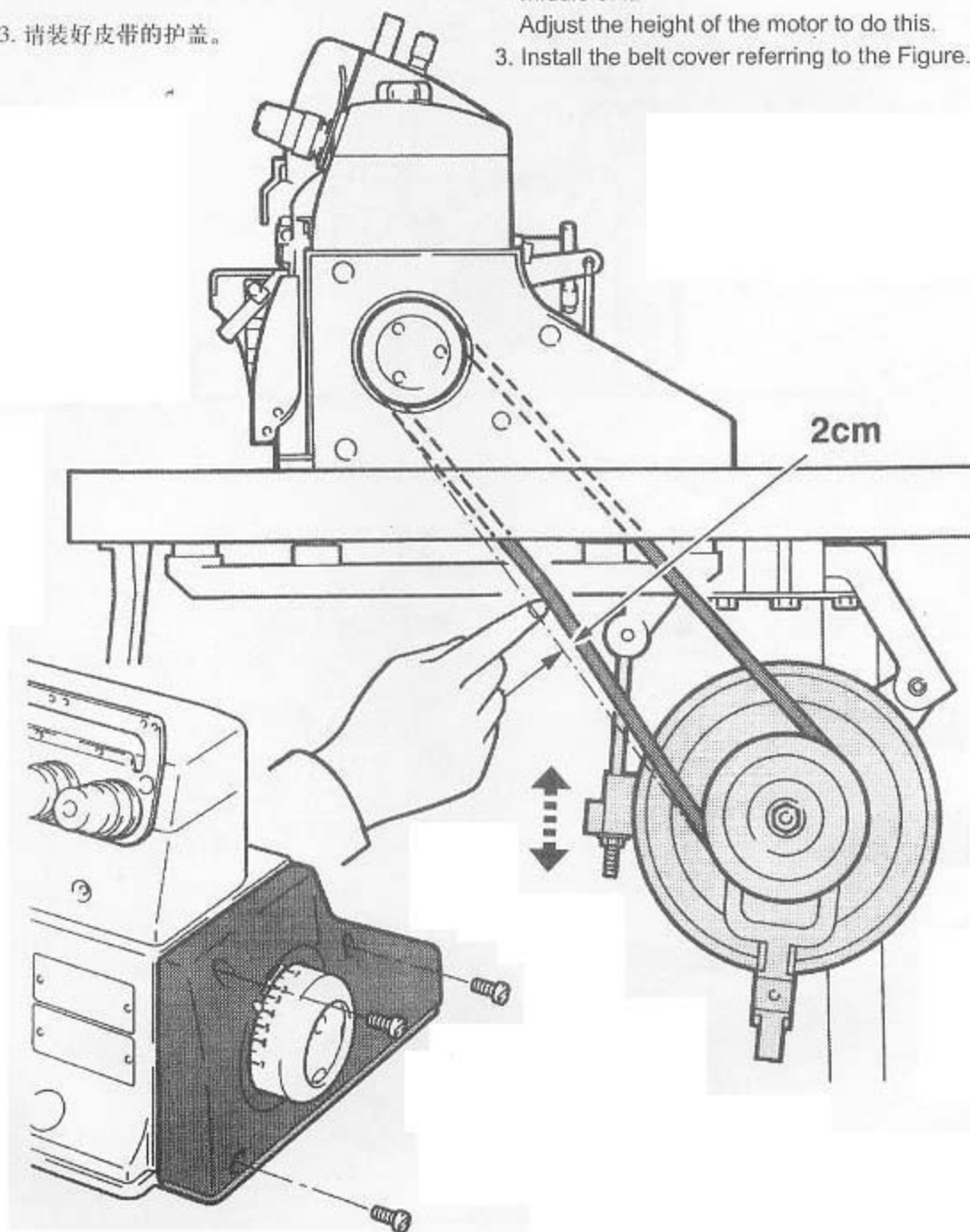


在使用之前
BEFORE OPERATING

缝纫机的安装方法 Installing the machine head

1. 将缝纫机装于台板之上，给缝纫机侧皮带轮和马达侧皮带轮装上V形皮带。
2. 将马达高低调整到用手按压皮带中间，约有2cm左右的松弛量为好。
3. 请装好皮带的护盖。

1. Mount the machine head on the machine rest board.
2. Adjust the tension of the belt so that it can be about 2cm bent inward when you press the middle of it.
Adjust the height of the motor to do this.
3. Install the belt cover referring to the Figure.

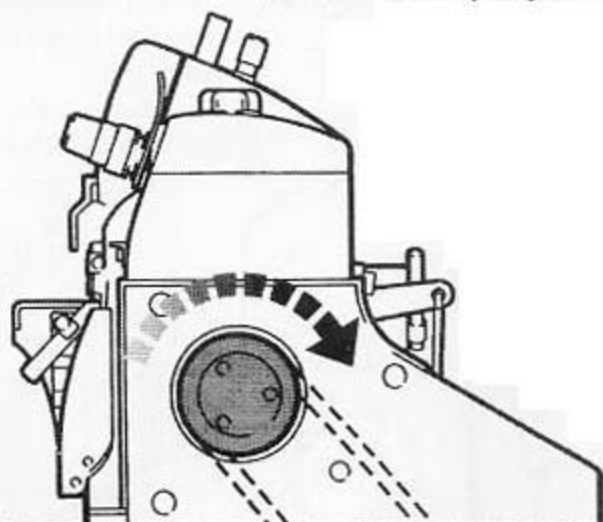


在使用之前
BEFORE OPERATING

缝纫机的旋转方向及转数 The machine speed and turning direction

缝纫机的旋转方向，从皮带轮侧看是向右转的。

The machine pulley rotates clockwise as seen from the machine pulley side.



参照下表选用与所使用的缝纫机对应的转数

Check your machine type and run it at appropriate speed as listed in the table below.

缝纫机机型 Modelo de máquina	最高旋转数 (r.p.m) Velocidad máxima (r.p.m)
JK796/788-5-36	6,500
JK796/788-5-38	6,500
JK796/788-5-48	5,500
JK796/788-5-48P2	5,000
JK796/788-5-70	6,500
JK796/788-5-86	5,500
JK796/788-5-355	6,000
JK796/788-3-01	7,000
JK796/788-4-13	6,500
JK796/788-3-16S2	6,500
JK796/788-3-17	7,000
JK796/788-4-23B	6,000
JK796/788-3-54A	5,000
JK796/788-3-55A	5,000
JK796/788-3-180	7,000
JK796/788-3-181	6,500

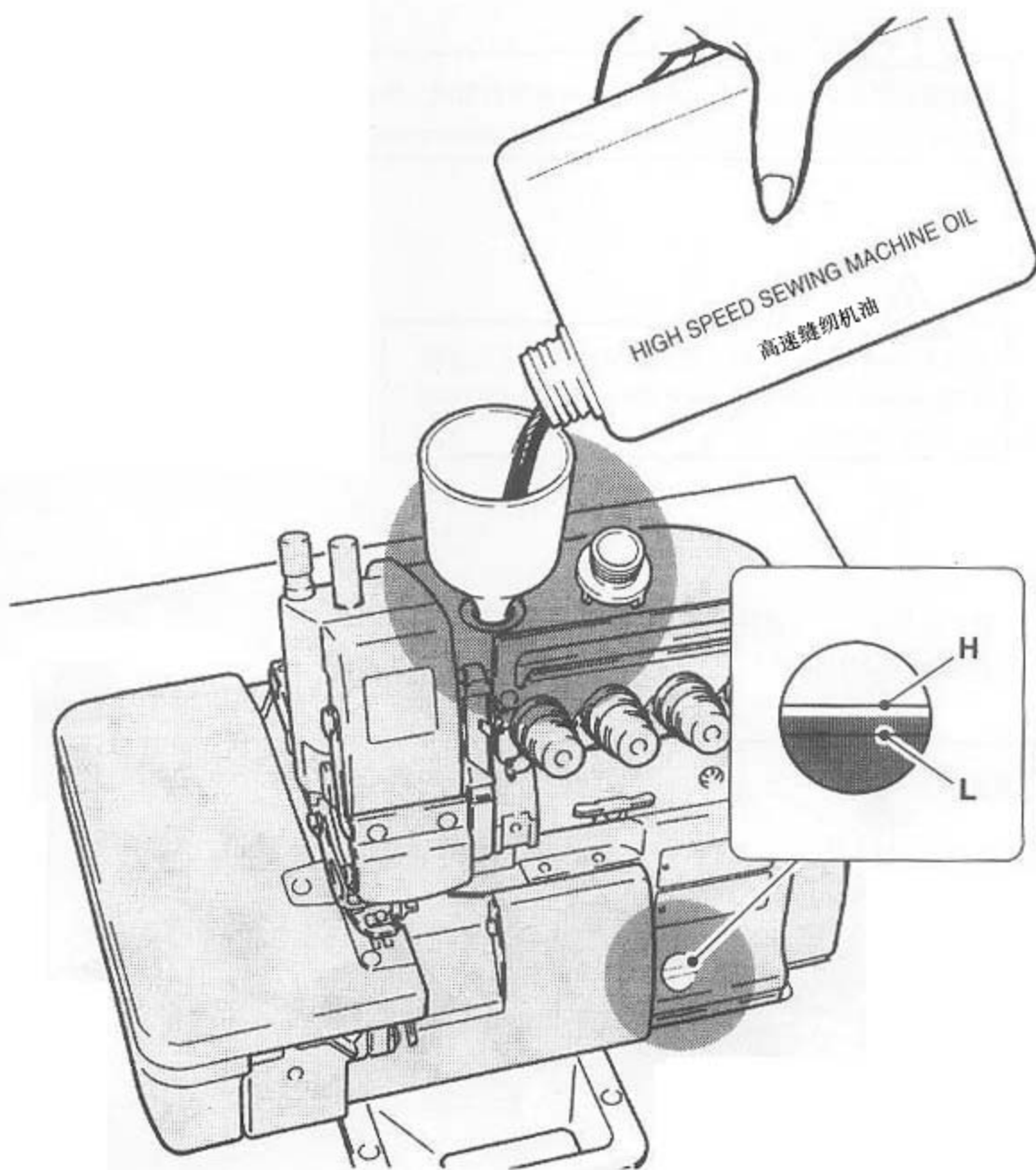
在使用之前
BEFORE OPERATING

供油 Lubrication

加油量是使油面处于H线与L线之间为好。
当油面低于L线时，就要及时补充机油。
机油请使用杰克公司指定的 [HIGH SPEED SEWING MACHINE OIL] (ISO粘度与 VG22 相同)。

After filling the oil pan, the oil surface should lie between (H) and (L) lines.
Add oil, when the oil surface reaches or goes below (L).

Note: Use JACK recommended [HIGH SPEED SEWING MACHINE OIL]. (ISO VG22)



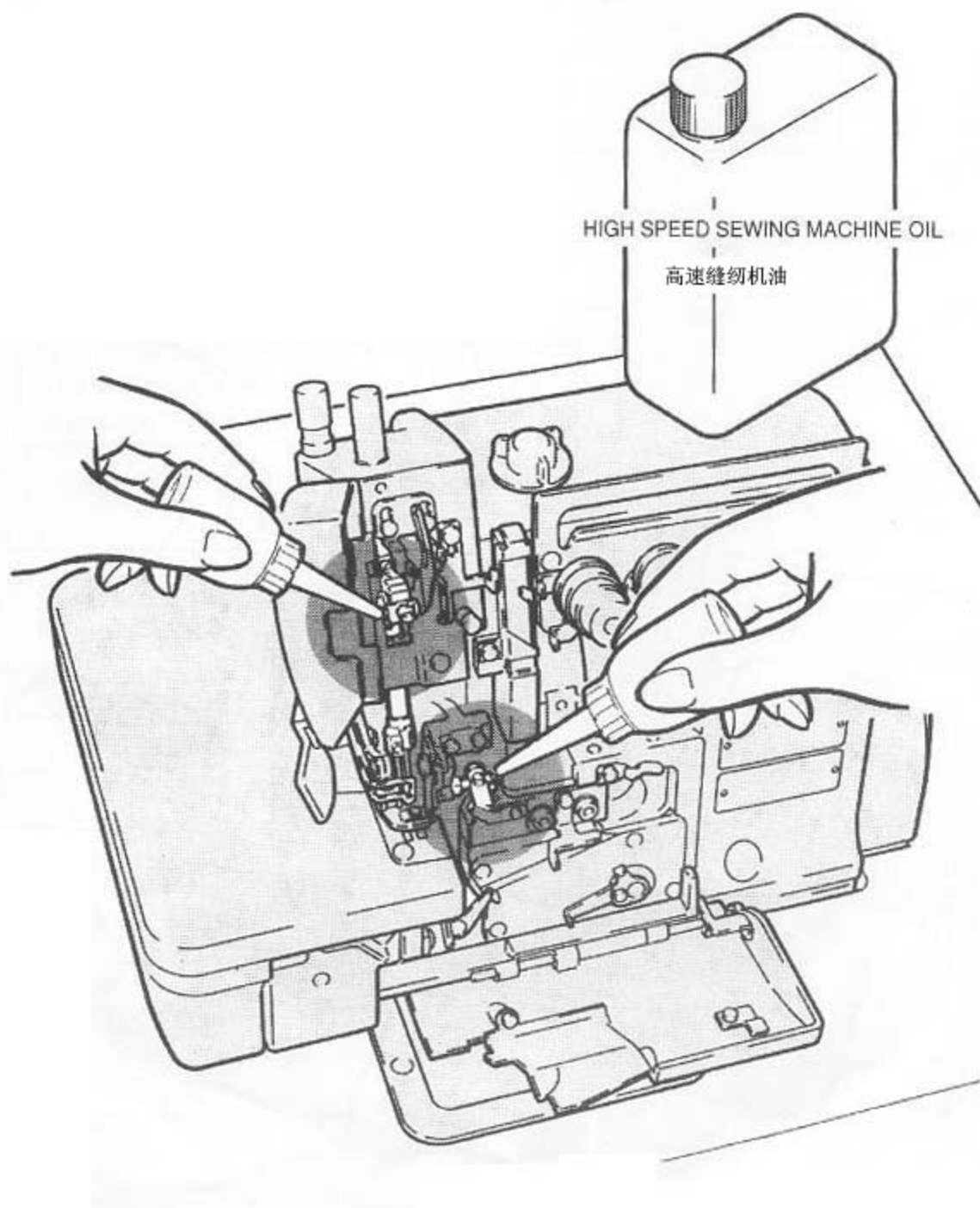
在使用之前
BEFORE OPERATING

手动供油 Manual lubrication

手动给油是在缝纫机最初开始使用时。或相当一段时间没使用了时，请供给2~3滴油。机油请使用 公司指定的 [HIGH SPEED SEWING MACHINE OIL] (ISO 粘度 VG22 相同)。

Apply 2 or 3 drops of oil by hand when the machine is used for the first time or has been left unused for some time.

Note: Use recommended [HIGH SPEED SEWING MACHINE OIL]. (ISO VG22)

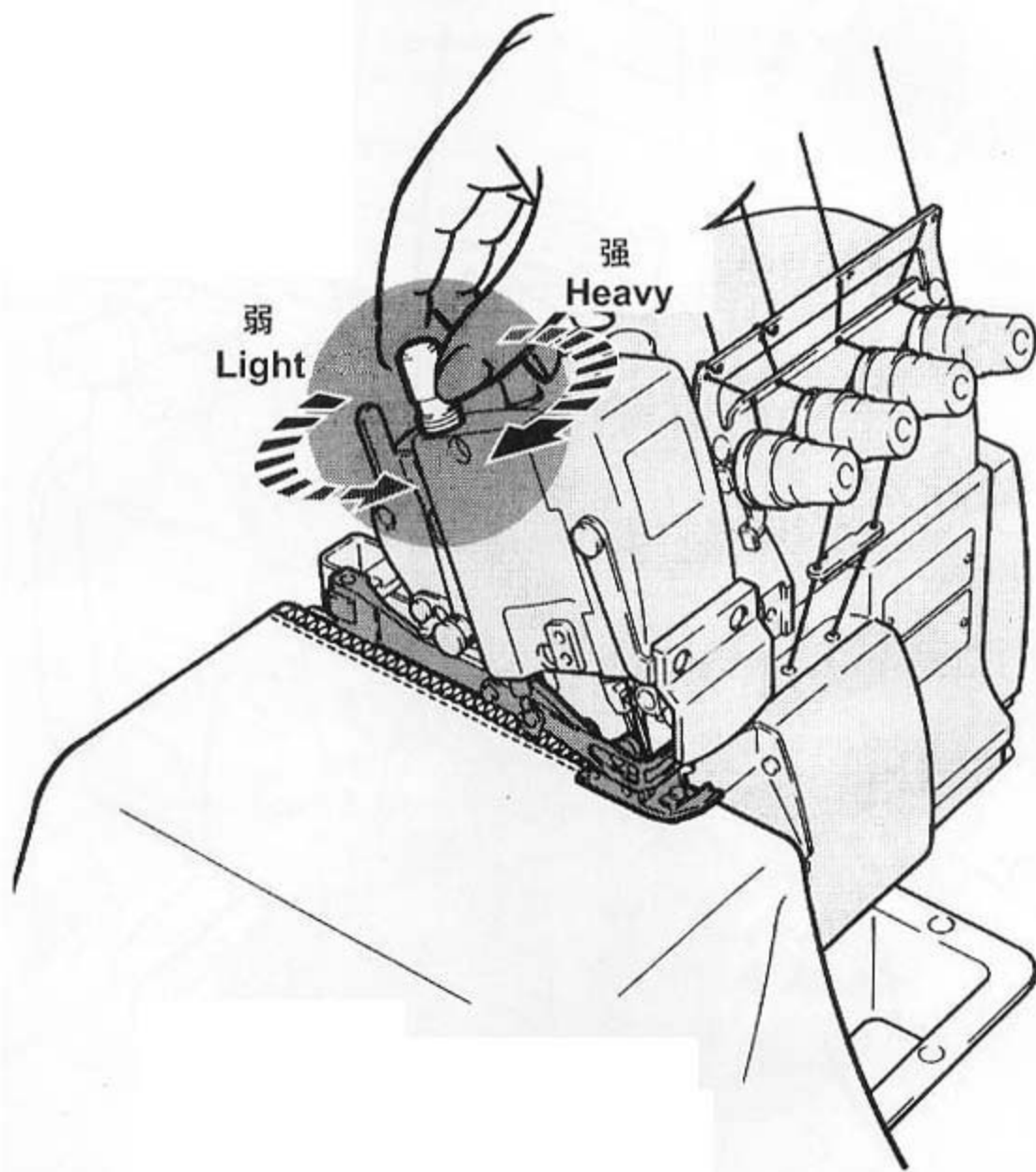


试缝
TEST SEWING

压脚压力的调节 Adjusting the presser foot pressure

压脚压力的调节可旋转螺帽进行调节。在送布状态良好并能取得均匀针脚的范围內，尽可能使用较弱的压力为好。

Turn adjusting screw to adjust the presser foot pressure. It should be as light as possible, yet be sufficient to obtain the proper stitch formation.



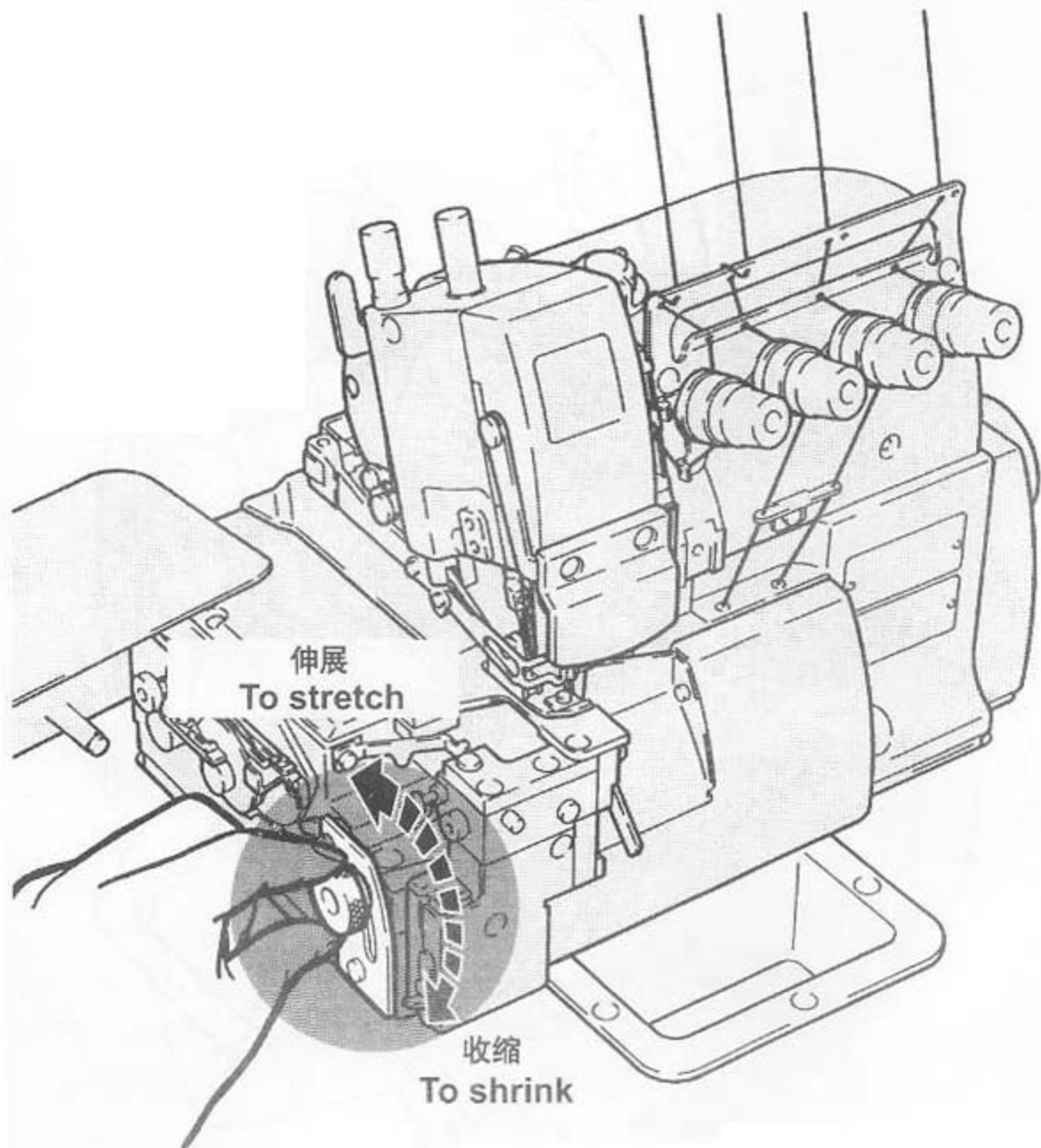
试缝
TEST SEWING

差动比的调节 Adjusting the diff. feed ratio

差动比的调节是松开螺母后，上下移动来进行调节。调节完后，将螺母拧紧。

Loosen the nut and move the lever up and down to obtain the correct differential feed ratio.

Tighten the nut after positioning the lever as desired.



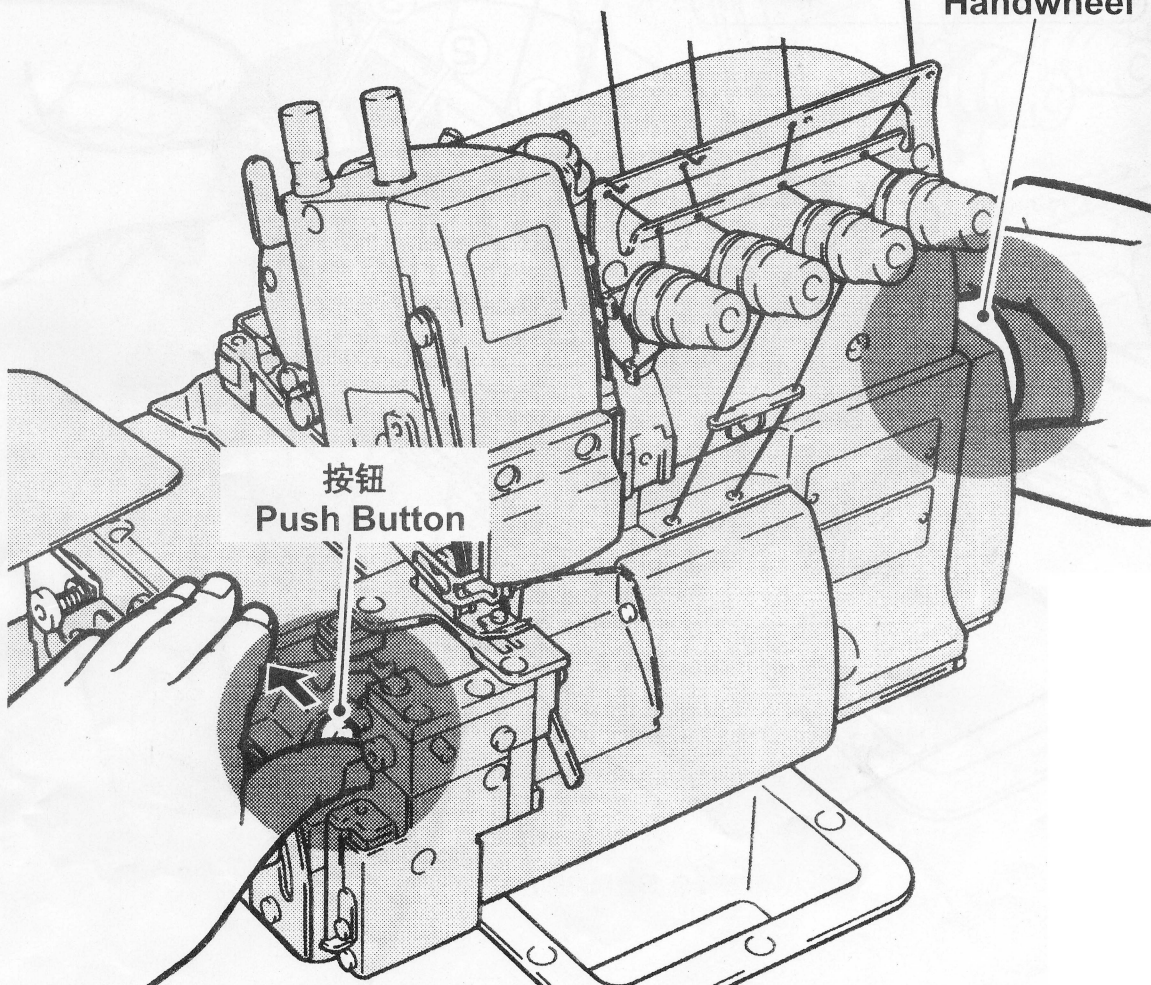
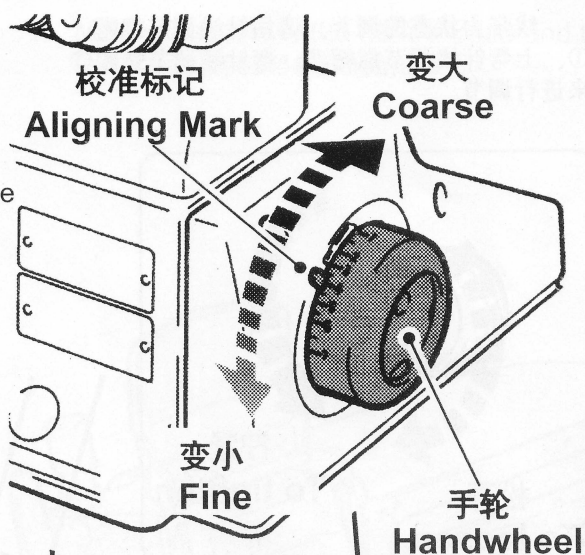
针脚长度的调节 Adjusting the stitch length

1. 摁住按钮，旋转手轮，按钮会陷进更深处。
2. 这时边摁住按钮，边转动手轮，使校准标记号对准所希望的数值。

- ① While pressing the push button, turn the handwheel to seek the position at which the push button goes further into the depth.
- ② Then, keeping the push button pressed, turn the handwheel and set the desired scale to the aligning mark.

注：针脚长度的调节务必请在调节差动比之后进行。

Note: Stitch length adjustment must only be made after the differential feed ratio has been changed.

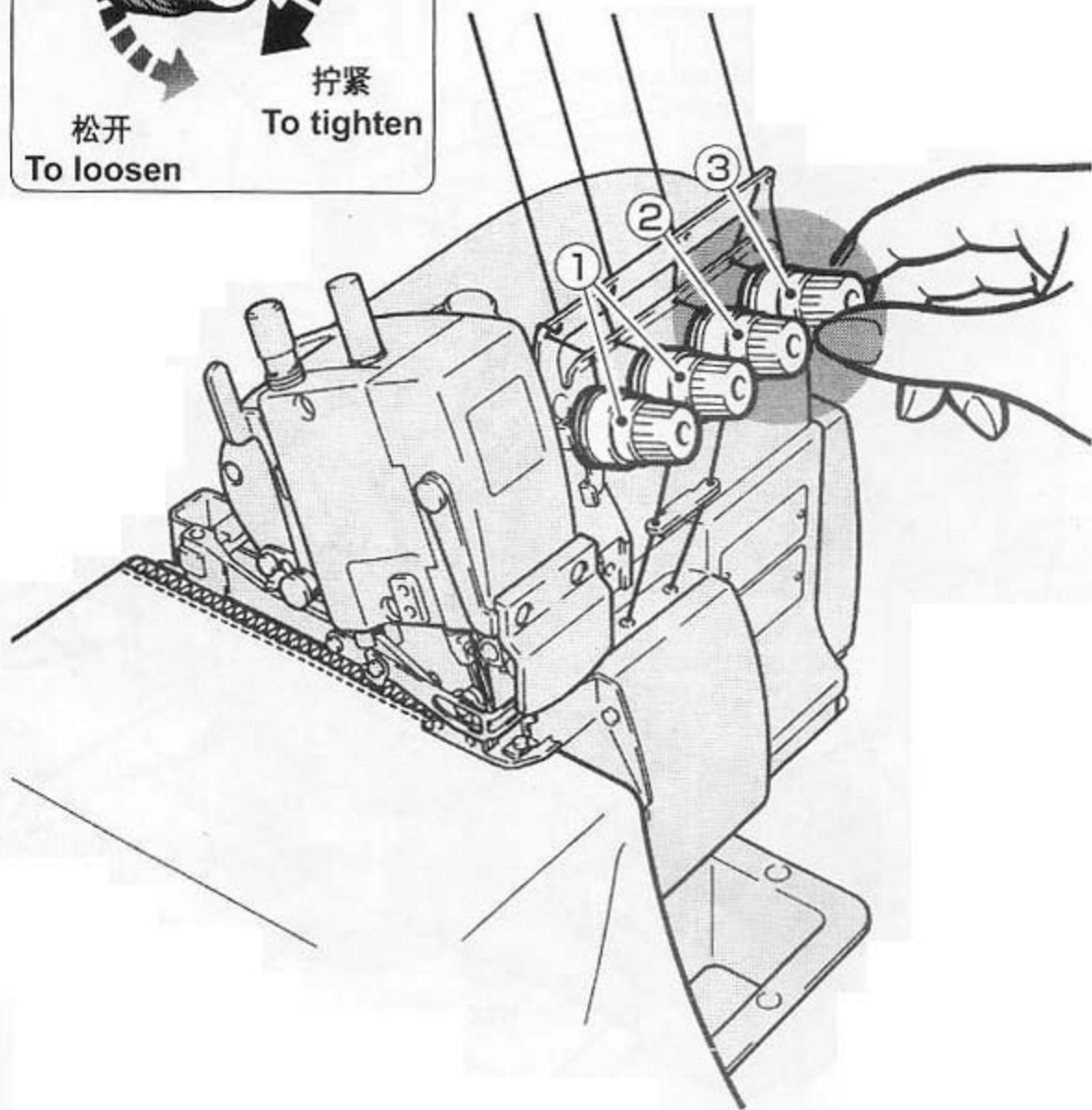


试缝
TEST SEWING

线状态的调节 Adjusting the thread tension

线张力状态的调节，请用针线调节螺帽①、上弯针线调节螺帽②、弯针线调节螺帽③来进行调节。

Make tension adjustments with the needle thread knob ①, the upper looper knob ②, and the lower looper knob ③.

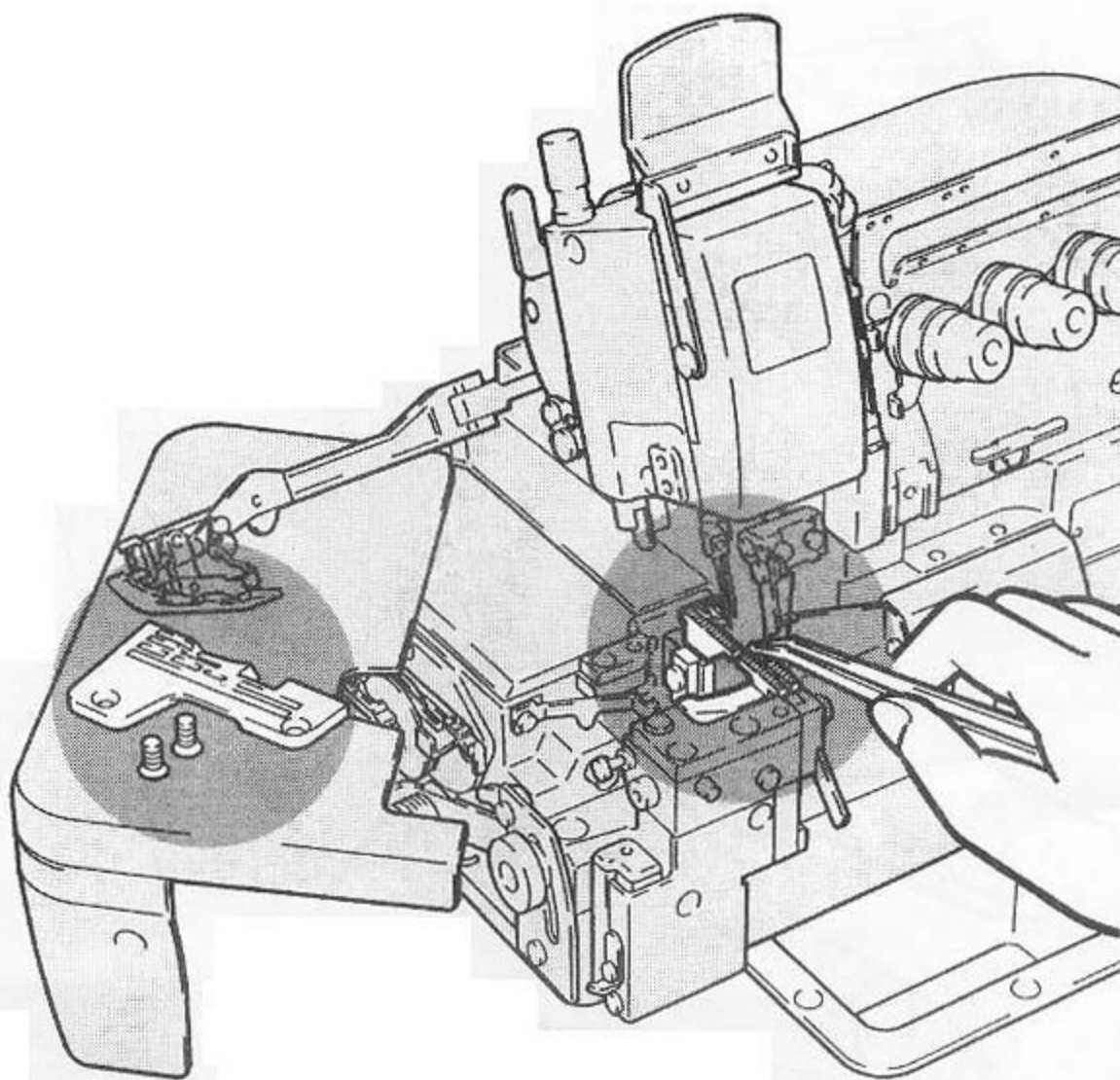


使用中的保养
MAINTENANCE
DURING USE

缝纫机的清扫 Cleaning the machine

缝纫机的清扫，以针板槽及送布牙周围为主。

Mainly the slots of the needle plate and the feed rows should be cleaned.



换针

Replacing the needle

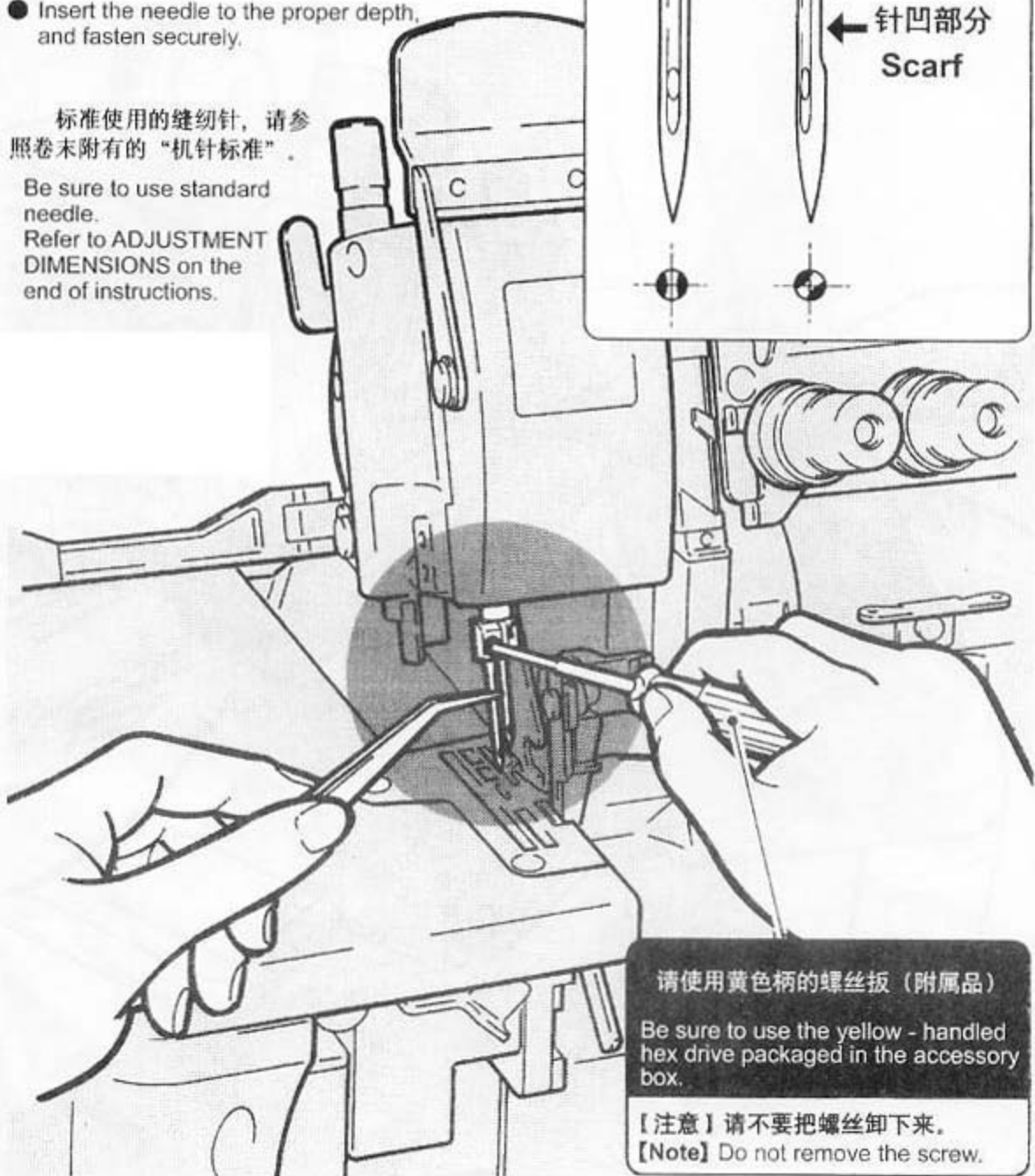
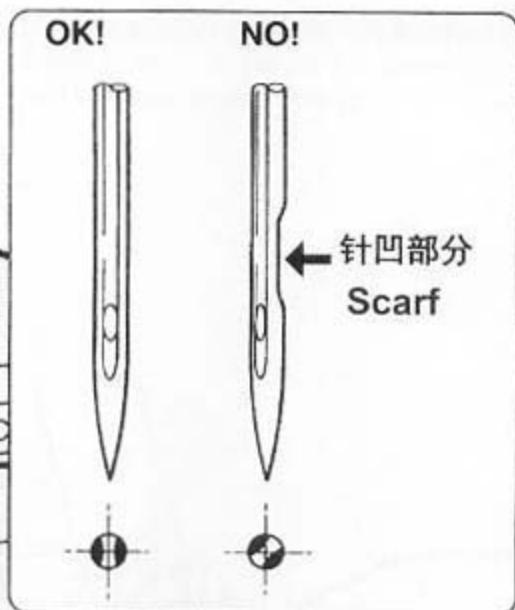
准确辨认针的前后，请将针凹向着后方，即背向操作者进行安装。

针要牢固的插到孔的最深处。

- Check the needle carefully to see that the scarf is turned to the rear of the machine.
- Insert the needle to the proper depth, and fasten securely.

标准使用的缝纫针，请参照卷末附有的“机针标准”。

Be sure to use standard needle.
Refer to ADJUSTMENT DIMENSIONS on the end of instructions.



请使用黄色柄的螺丝扳（附属品）

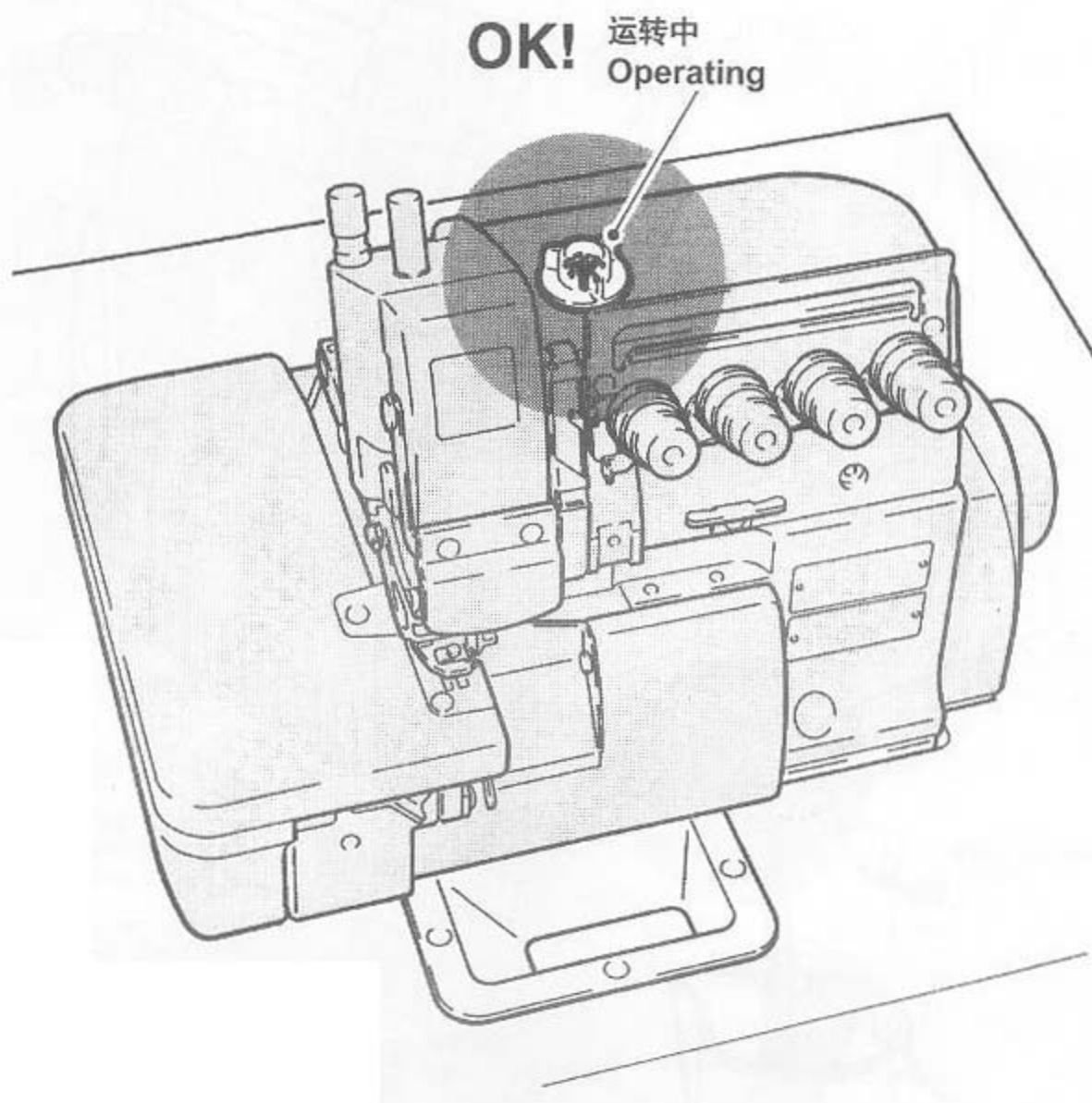
Be sure to use the yellow - handled hex drive packaged in the accessory box.

【注意】请不要把螺丝卸下来。

【Note】Do not remove the screw.

使用中的保养
MAINTENANCE
DURING USE

检查机油的循环 Checking the oil circulation



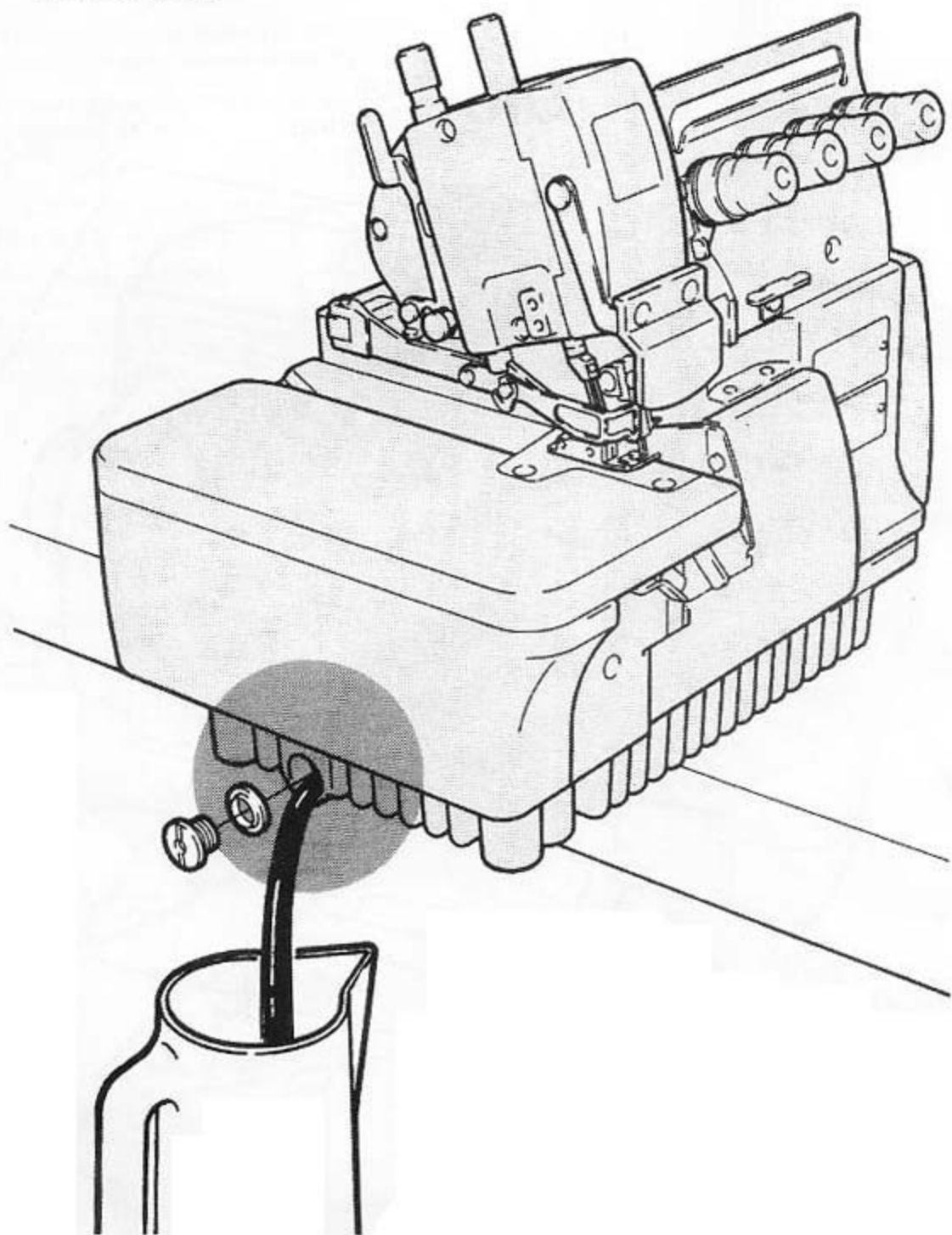
使用中的保养
MAINTENANCE
DURING USE

换机油 Replacing the oil

机油的更换，请在使用开始1个月后更换一次，然后，每6个月更换一次。

供油请参见第4页。

Replacing the oil one month after the first use and every six months thereafter. (See p 4.)



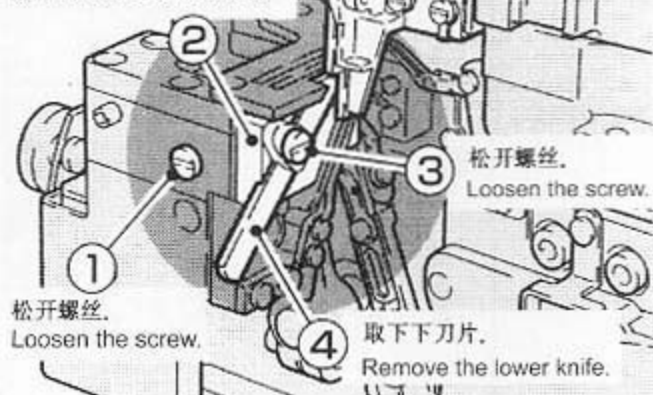
下刀片的更换 Replacing the lower knife

卸下下刀片

To remove the lower knife

把下刀架推向左边，
用螺丝①暂时固定。

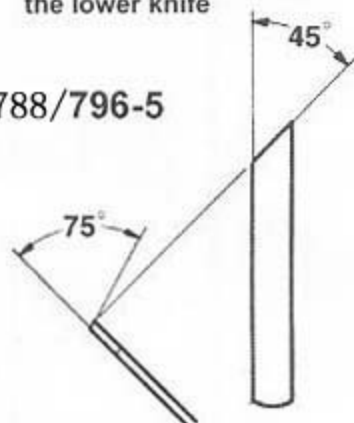
Temporarily screw ①
after sliding the lower
knife holder to the left.



下刀片正确的研磨角度

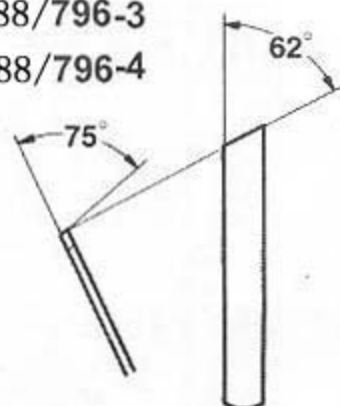
Correct angles to resharpen
the lower knife

JK788/796-5



JK788/796-3

JK788/796-4



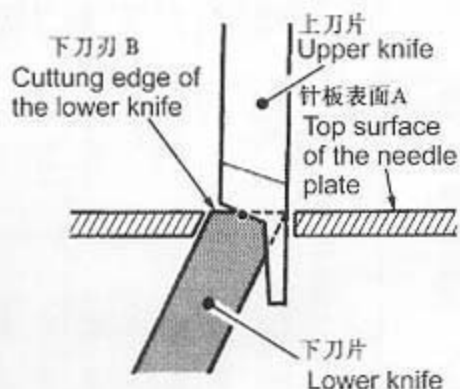
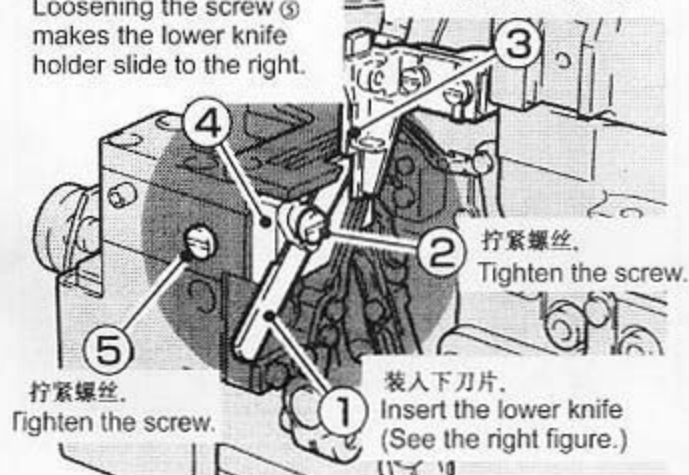
安装下刀片

To replace the lower knife

松开螺丝③，下刀架则
向右移动。
Loosening the screw ③
makes the lower knife
holder slide to the right.

转动手轮将上刀移动对准如
右图所示位置。

Turn the handwheel as the
drawing on the right figure.



使针板表面A与下刀刃B处于相同水平位置。





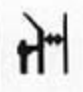


Level of [A] = Level of [B]

装好下刀片后进行剪线，确认剪切状况。







Check cutting action of knife

JK788/796-5调整标准参数表 Adjustment dimentionions

(mm)

								
JK788/796-5-36	10.6	3.9	5.1	0.9~1.1	5.5	1.5		
JK788/796-5-38	10.6	3.9	5.1	0.9~1.1	5.5	1.5		
JK788/796-5-48	10.1	3.9	5.1	0.9~1.1	5.5	1.5		
JK788/796-5-48P2	10.1	3.9	5.1	0.9~1.1	5.0	1.5		
JK788/796-5-70	10.6	3.9	5.1	0.9~1.1	5.5	1.5		
JK788/796-5-86	12.0	3.6	5.1	0.9~1.1	5.5	1.5		
JK788/796-6-355	12.0	3.6	5.8	0.9~1.1	5.5	1.5		

JK788/796-3,4调整标准参数表 Adjustment dimentionions

							
JK788/796-3-01	10.1	4.2	5.1	0.9~1.1	5.5		
JK788/796-4-13	10.4	4.2	5.8	0.9~1.1	5.5		
JK788/796-3-16S2	10.1	4.2	5.1	0.9~1.1	5.5		
JK788/796-3-17	10.1	4.2	5.1	0.9~1.1	5.5		
JK788/796-4-23B	11.6	4.2	5.8	0.9~1.1	7.0		
JK788/796-3-54A	10.1	4.2	5.1	0.9~1.1	6.0		
JK788/796-3-55A	10.4	4.2	5.8	0.9~1.1	5.5		
JK788/796-3-180	10.1	4.2	5.1	0.9~1.1	5.5		
JK788/796-3-181	10.4	4.2	5.8	0.9~1.1	5.5		

JK788/796-5 机针标准

Standard needle

	Organ DC X 27
JK788/796-5-36	11
JK788/796-5-38	14
JK788/796-5-48	14
JK788/796-5-48P2	14
JK788/796-5-70	14
JK788/796-5-86	21
JK788/796-5-355	11

JK788/796-3,4 机针标准

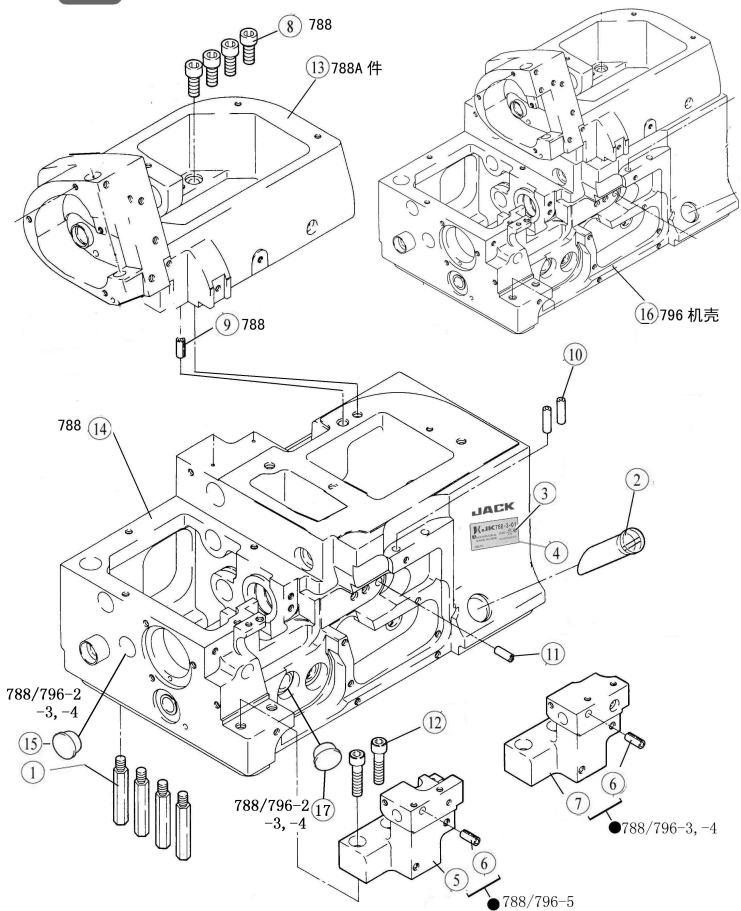
Standard needle

	Organ DC X 27
JK788/796-3-01	9
JK788/796-4-13	9
JK788/796-3-16S2	11
JK788/796-3-17	9
JK788/796-4-23B	14
JK788/796-3-54A	14
JK788/796-3-55A	9
JK788/796-3-180	9
JK788/796-3-181	9

JK788/796 针号对照表

Comparison table for needle sizes

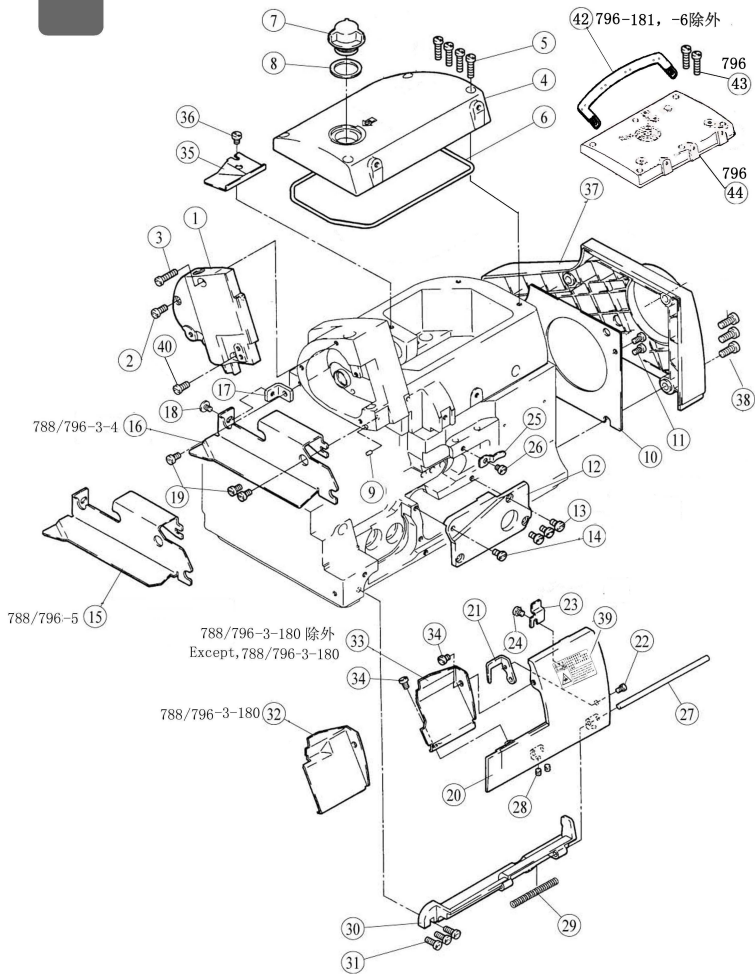
日本针号(Organ) Japanese size (Organ)	#	9	11	14	16	18	21
德国针号(Schmetz) Metric size(Schmetz)	Nm	65	75	90	100	110	130



* 该系列产品有任何技术更改恕不另行通知

第一部件 机壳部件(Frame Assembly)

序号 Ref.No	公司件号 Part No	参考件号 Ref. Part. no	名称	Description	数量 (Number)		
					三线	四线	五线
					Three-thread	Four-thread	Five-thread
1	206S30001	270047	支柱	Bed pin	4	4	4
2	20611001	204003	油标	Oil sight gauge	1	1	1
3	R03001		铆钉2.5×4	Rivet	2	2	2
4	20531024		机型牌	brand	1	1	1
5	20609002	209538	五线下刀座	Bracket	0	0	1
6	P03010		销5.5×6	Pin	1	1	1
7	20609001	209537	三四线下刀座	Bracket	1	1	0
8	S05019	4510	螺钉M6×16.3	Screw	4	4	4
9	P03010		销5.5×6	Pin	1	1	1
10	20513008	240325A	过线管	Pipe	2	2	2
11	P03010		销5.5×6	Pin	1	1	1
12	S05016	4511	螺钉M6×25	Screw	2	2	2
13	300029		A件	later shell upper knot	1	1	1
14	300028		机壳	Machine frame	1	1	1
15	20622012	240310	油封	Plug	1	1	0
16	300032		796机壳	796 machine frame	1	1	1
17	10122006		送料调节器孔塞	Plug	1	1	0

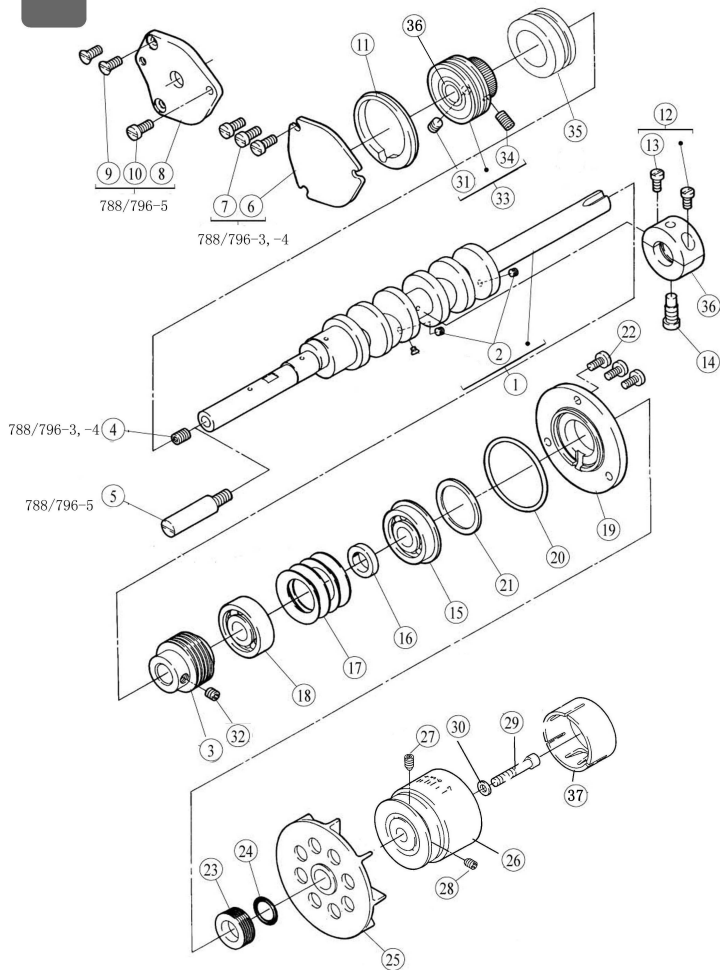


第二部件 机壳机罩部件(Cover Assemblies)

序号 Ref.No	公司件号 Part No	参考件号 Ref. Part. no	名称	Description	数量 (Number)		
					三线	四线	五线
					Three-thread	Four-thread	Five-thread
1	300030		B件	Side cover	1	1	1
2	S01010	7020	螺钉M4×8	Screw	1	1	1
3	S01032	7024	螺钉M4×17.5	Screw	1	1	1
4	300160	209512-PD	788机头上盖	Top cover	1	1	1
5	S01032	7024	螺钉M4×17.5	Screw	4	4	4
	S01003	7021	螺钉	Screw	6	6	6
6	20622002	209579	上盖密封垫	Gasket	1	1	1
	20522001		上盖密封垫	Gasket	1	1	1
7	20611002	206457	油窗	Oil singt window	1	1	1
8	20622001	206682	油窗垫	Gasket	1	1	1
9	20623001	209702	机头油塞	Sponge	1	1	1
10	20612005	209551	机壳右盖板	Fan cover	1	1	1
11	S01010	7019	螺钉M4×8	Screw	2	2	2
12	20601005	209518	上弯针前盖板	Cover	1	1	1
13	S01010	7019	螺钉M4×8	Screw	3	3	3
14	S01035	7082	螺钉M4×7.5	Screw	1	1	1
15	20612002	209633A	三四线缝台挡料板	Fabric guard	1	1	0
16	20612003	209634	五线缝台挡料板	Fabric guard	0	0	1
17	20612010	209736	缝台连接板	Bracket	1	1	0
18	206S11012	7232	螺钉M4×5.5	Screw	1	1	0
19	S01002	7018	螺钉M4×6.5	Screw	3	3	3
20	300163		752前盖板	Front cover	1	1	1
	300472		752-02*250前盖板	788-02*250Front cover	1	1	1
21	20612009	270018A	前盖板固定块	Latch	1	1	1
22	S01006	7009	螺钉M3×4.5	Screw	1	1	1
23	20612006	209680	前罩板卡簧	Latch	1	1	1
24	S01031	7017	螺钉M4×4.7	Screw	1	1	1
25	20612004	210044	前罩板卡簧1	Flat spring	1	1	1
26	S01031	7017	螺钉M4×4.7	Screw	1	1	1
27	20626001	240043	铰链销	Pin	1	1	1
28	S10007	4543	螺钉M4×4	Screw	2	2	2
29	20627001	240301	铰链销弹簧	Sping	1	1	1
30	20601007	209516	铰链	Hinge	1	1	1
31	S01003	7021	螺钉M4×12	Screw	3	3	3
32	20612007	209664A	三四线前左挡板	Front cover(center)	1	1	0
33	20612008	209665	五线前左挡板	Front cover(center)	0	0	1
	20501018		挡板(包兜机)	Front cover(center)	0	0	1
34	S01002	7018	螺钉M4×6.5	Screw	1	1	1
35	20612001	209657	固定板	Oil guard	1	1	1
36	S01002	7018	螺钉M4×6.5	Screw	1	1	1
37	20611003	209550-PB	皮带轮护罩	Belt cover	1	1	1
38	S01013	7176	螺钉M6×14	Screw	3	3	3
39	20131063		警告牌	brand	1	1	1
40	S01003	7021	螺钉M4×12	Screw	1	1	1
41	20612062	303448	垫片	Washer	1	1	0
42	20501002		796大过线架	Thread guide supporter	1	1	1
43	S01035	7082	螺钉M4×7.5	Screw	1	1	1
44	300473		796上盖	Top cover	1	1	1

第三部件 机罩部件(Cover Assemblies)

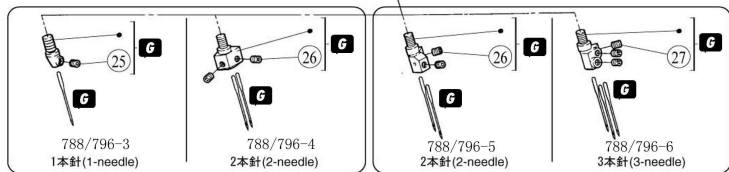
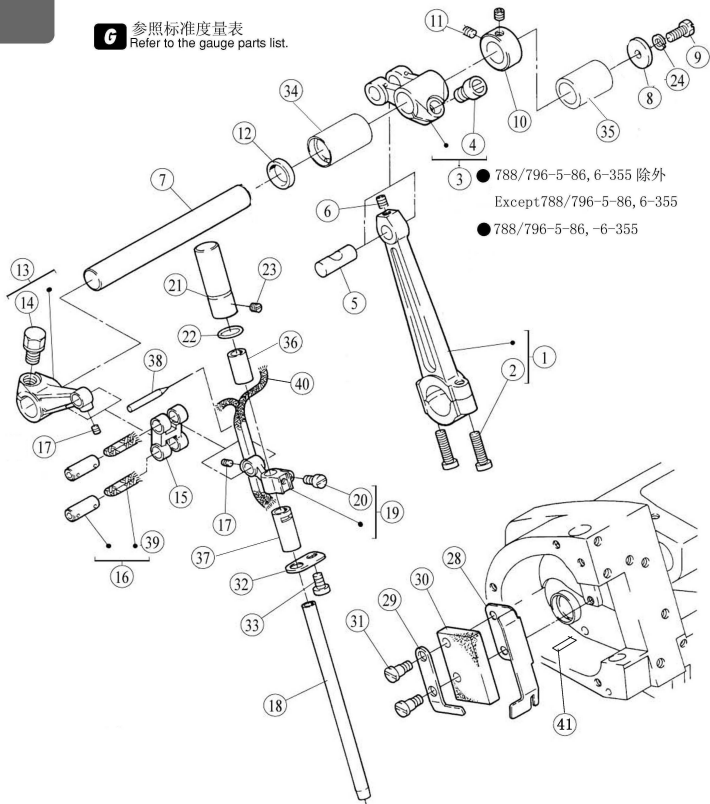
序号 Ref.No	公司件号 Part No	参考件号 Ref.Part. no	名称	Description	数量 (Number)		
					三线	四线	五线
					Three-thread	Four-thread	Five-thread
1	20612011	209687	后窗板	Cover plate	1	1	1
2	S01010	7019	螺钉M4×8	Screw	4	4	2
	S01003	7021	螺钉M4×12	Screw	0	0	2
3	20601008	209517	左盖板	Bed cover plate	1	1	1
4	L02001		螺栓M4×8	Screw	4	4	4
5	20601009	209513-PD	针杆前罩	Needle bar cover	1	1	1
6	20626002	209641	针杆前罩销	Pin	1	1	1
7	S10007	4543	螺钉M4×4	Screw	1	1	1
8	20612012	209645	针杆前罩簧	Spring	1	1	1
9	S01031	7017	螺钉M4×4.7	Screw	1	1	1
10	206S30002	209636	针板座卡簧螺钉	Screw	1	1	1
11	20611004	209618	三四线观察镜	Eye guard	1	1	0
12	20611005	209619	五线观察镜	Eye guard	0	0	1
13	S01034	7062	螺钉M3×5.7	Screw	2	2	2
14	W01011	202875	垫片	Washer	2	2	2
15	20601010	209651	支架	Bracket	1	1	1
16	20622003	240305	减震垫	Cushion rubber	1	1	1
17	206S20004	7066	螺钉M4×3.7	Screw	1	1	1
18	20628022	210307	垫片	Washer	2	2	2
19	20612015	209543	下刀座前盖板	Front cover	1	1	1
20	S02005	7077	螺钉M4×4.5	Screw	2	2	2
21	20512016		五线48缝台	Cloth plate	0	0	1
22	2. 061E+09	209576-91	缝台组件	Cloth plate	0	0	1
23	20603016	270042	缝台轴套	Bushing	1	1	1
24	S10008	4538	螺钉M4×6.5	Screw	1	1	1
25	20628022	210307	垫片	Washer	1	1	1
26	206S20004	7066	螺钉M4×3.7	Screw	1	1	1
27	20627002	270043	缝台簧	Lever	1	1	1
28	20627003	270044	缝台扭簧	Spring	1	1	1
29	206S20006	7172	螺钉M4×5.5	Screw	1	1	1
30	20612019	270045	缝台簧固定板	Bracket	1	1	1
31	20622003	240305	减震垫	Cushion rubber	1	1	1
32	S04005	7023A	螺钉M4×15.5	Screw	1	1	1
33	N01001		螺母M4	Nut	1	1	1
34	20511009	209547-PB	缝台裙子	Side cover	1	1	1
35	S01002	7018	螺钉M4×6.5	Screw	2	2	2
36	20528017	240343	垫片	Washer	2	2	2
37	S01033	7025	螺钉M4×20.5	Screw	1	1	1
38	20531023		商标牌	brand	1	1	1
39	20622003	240305	减震垫	Cushion rubber	1	1	1
40	20612014	270048	限位板	Latch	1	1	1
41	S01022	7008	螺钉M3×4	Screw	1	1	1
42	20612016	270049	下刀座前垫护板	Latch	1	1	1
43	206S11008	7180	螺钉SM9/64×40	Screw	1	1	1
44	20622003	240305	减震垫	Cushion rubber	1	1	1
45	20612013	209644	前盖板	Face plate	1	1	1
46	S01035	7082	螺钉M4×7.5	Screw	1	1	1
47	20612017	209571-91	三四线缝台	Cloth plate assembly	1	1	0
48	20512001		缝台盖	Cloth plate	1	1	0
49	20511006		缝台裙子	Side cover	1	1	0
50	30137005		警告牌	brand	1	1	1



第四部件 主轴部件(Main Shaft Assemblies)

序号 Ref.No.	公司件号 Part No.	参考件号 Ref. Part. No	名称	Description	数量 (Number)		
					三线	四线	五线
					Three-thread	Four-thread	Five-thread
1	20602003	209686-91	主轴	Crankshaft	1	1	1
2	206S14001	1459	螺钉SM9/64×40×3.2	Screw	2	2	2
3	20625002	209613-D	蜗杆	Worm	1	1	1
4	S10009	4541	螺钉M6×8	Screw	1	1	0
5	20602002	270510	主轴接轴	Pin	0	0	1
6	20612020	209608	三四线左盖板	Left cover	1	1	0
7	S01010	7020	螺钉M4×8	Screw	3	3	0
8	20612021	209609	五线左盖板	Left cover	0	0	1
9	S02004	7044	螺钉M4×8	Screw	0	0	2
10	S01010	7020	螺钉M4×8	Screw	0	0	1
11	20622004	209581	左盖承盖油封	Gasket	1	1	1
12	20603006	209671-92	主轴中轴套	Bushing	1	1	1
13	S01029	7013	螺钉M3.5×7.5	Screw	2	2	2
14	206S30003	209637	主轴中套螺钉	Screw	1	1	1
15	B01006	240551	轴承6201RZ	Bearing	1	1	1
16	20628002	204019A	主轴后垫圈	Spacer	1	1	1
17	20628021	204018	碟簧	Sping wsasher	4	4	4
18	B01007	240552	轴承	Bearing	1	1	1
19	20601011	209606	主轴后挡板	Right cover	1	1	1
20	20622005	240340	主轴后板油封	O Ring	1	1	1
21	20628001	209607	主轴橡胶垫片	Plate	1	1	1
22	S01010	7020	螺钉M4×8	Screw	3	3	3
23	20608001	208476	螺旋型挡圈	Oil seal	1	1	1
24	20622006	208272	螺旋型挡圈油封	O Ring	1	1	1
25	20601012	209481	风扇	Fan	1	1	1
26	20501027	270504-PD	皮带轮	Strap ring	1	1	1
27	S12004	4556	螺钉M6×10	Screw	1	1	1
28	S10009	4541	螺钉M6×8	Screw	1	1	1
29	207S13004	004523	螺钉M6×16.3	Screw	1	1	1
30	W02004	240293	垫圈6	Washer	1	1	1
31	S10002	4514	螺钉M5×5	Screw	1	1	1
32	S10002	4514	螺钉M5×5	Screw	1	1	1
33	20625001	209591-91-1	外齿圈轴承组件	Ball bearing assembly	1	1	1
34	S10010	4572	螺钉M5×10	Screw	1	1	1
35	20603005	209523	主轴前套	Sleeve	1	1	1
36	B03002	209591-91-02	轴承6202RZ	Bearing	1	1	1
37	20501005	270526	皮带轮罩	Cover	1	1	1

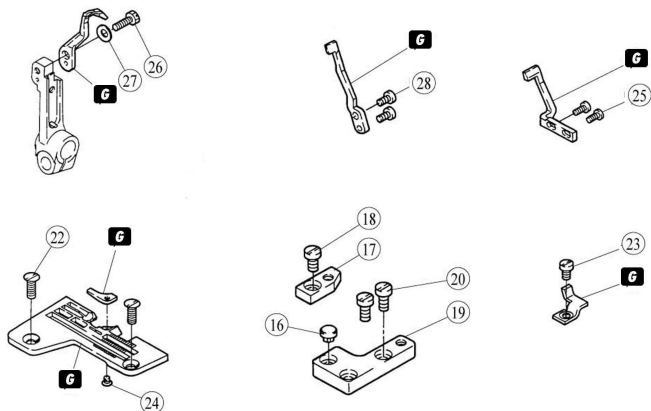
G 参照标准度量表
Refer to the gauge parts list.



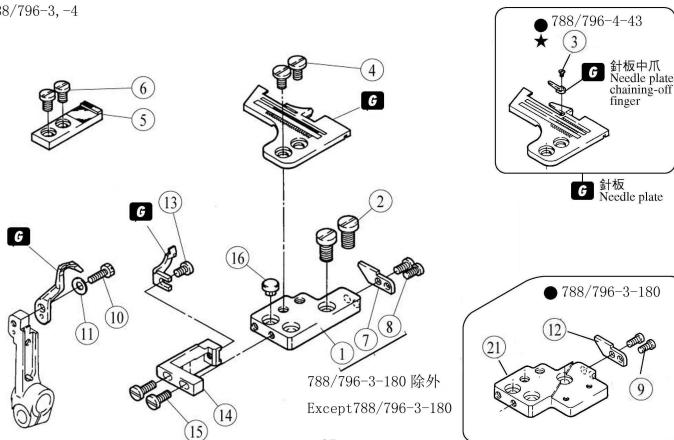
第五部件 针杆部件(Needle Bar Assemblies)

序号 Ref.No	公司件号 Part No.	参考件号 Ref. Part. No	名称	Description	数量 (Number)		
					三线	四线	五线
					Three-thread	Four-thread	Five-thread
1	20605001	209544-92	针杆连杆	Rod	1	1	1
2	S04005	7023A	螺钉M4×15.5	Screw	2	2	2
3	20604001	209552-92	上轴曲柄	Crank	1	1	1
	20604002	209553-92	上轴曲柄	Crank	1	1	1
4	S05018	4533	螺钉M6×0.75×12	Screw	1	1	1
5	20626003	271001	送料大连杆销	Pin	1	1	1
6	S10008	4538	螺钉M3×6	Screw	1	1	1
7	20602004	209582	轴	Shaft	1	1	1
8	20628006	240338	垫片	Washer	1	1	1
9	206S30018	7174	螺钉	Screw	1	1	1
10	20608002	240537	上轴挡圈	Collar	1	1	1
11	S10007	4543	螺钉M4×4	Screw	2	2	2
12	20622007	208250	上轴左套油封	Oil seal	1	1	1
13	2060400400	209567-92	针杆曲柄	Lever	1	1	1
14	206S30014	7150	螺钉M6×0.75×12	Screw	1	1	1
15	20604003	208425	针杆连杆曲柄	Link needle bar drive	1	1	1
16	20626005	209690-91	针杆曲柄销	Pin	2	2	2
17	206S30011	4545	螺钉M3×4	Screw	2	2	2
18	20602006	208903-C	针杆	Needle bar	1	1	1
19	20609003	209566-92	针杆轧头	Needle bar clamp	1	1	1
20	S01029	7013	螺钉M3.5×7.5	Screw	1	1	1
21	20603017	209640	针杆套	Cap	1	1	1
22	20622008	240129	针杆O型圈	O Ring	1	1	1
23	S10007	4543	螺钉M4×4	Screw	1	1	1
24	20528012	202286	垫片	Washer	1	1	1
25	206S14002	5292-HV	螺钉SM1/8×44×3	Screw	1	0	0
26	206S14002	5293-HV	螺钉SM1/8×44×3	Screw	0	2	2
27	206S14002	5294-HV	螺钉SM1/8×44×3	Screw	0	0	(732-355) 3
28	20612024	209647	针杆硅油底板	Cover	1	1	1
29	20612023	209648	针杆硅油压板	Cover	1	1	1
30	20623003	209642	针杆油垫	Felt	1	1	1
31	206S20007	7192	螺钉M4×5.2	Screw	2	2	2
32	20612022	209646	针杆下板	Cover	1	1	1
33	S01002	7018	螺钉M4×6.5	Screw	1	1	1
34	20603001	209524	上轴左套筒	Sleeve	1	1	1
35	20603002	209525	上轴右套筒	Sleeve	1	1	1
36	20603014	204625A	针杆上轴套	Sleeve	1	1	1
37	20603015	204628A	针杆下轴套	Sleeve	1	1	1
38	20626004	240190	油线销	Pin	1	1	1
39	20523004	209690-91	油线	Oil wick	0.25M	0.25M	0.25M
40	20123021		油线	Oil wick	0.08M	0.08M	0.08M
41	20621001	204195	回油管	Oil tube	1	1	1

788/796-5



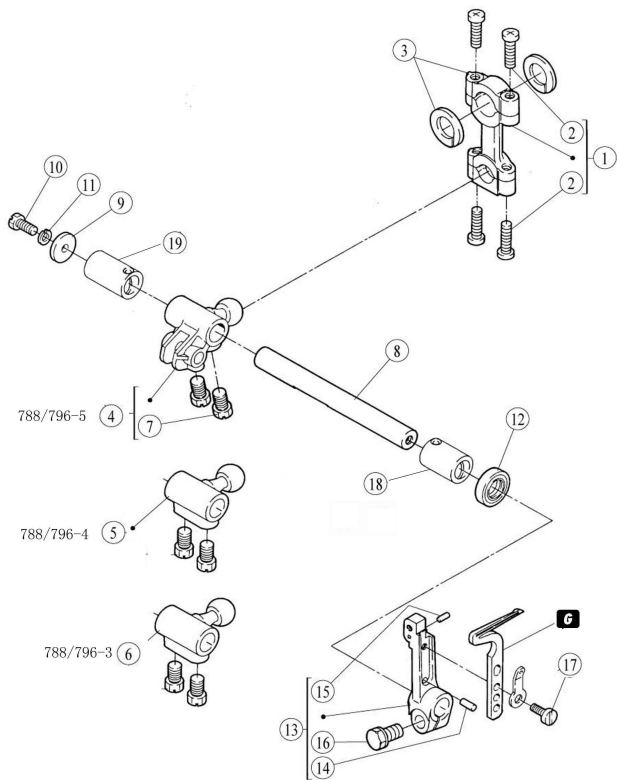
788/796-3, -4



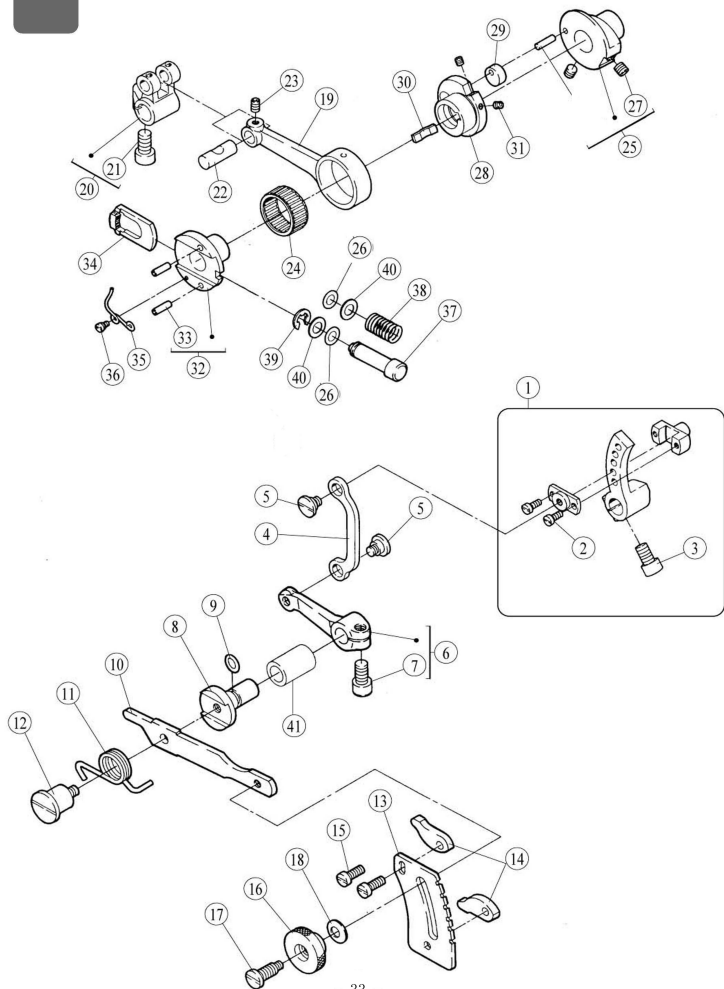
第六部件 护针部件(Support Needle Assemblies)							
序号 Ref.No	公司件号 Part No	参考件号 Ref. Part. no	名称	Description	数量 (Number)		
					三线	四线	五线
					Three-thread	Four-thread	Five-thread
1	20609006	209539	针板垫块	Bracket	1	1	0
2	S01010	7020	螺钉M4×8	Screw	2	2	0
3	206S30021	5330	螺钉	Screw	0	1	0
4	206S11005	4009	螺钉SM11/64×40	Screw	2	2	0
5	20609004	208935	针板固定座	Support needle plate	1	1	0
6	S01010	7020	螺钉M4×8	Screw	2	2	0
7	20609005	204631A	针板固定板	Bracket	1	1	0
8	S01028	7012	螺钉M3.5×5.7	Screw	2	2	0
9	205S30005	007267	挡板螺钉	Screw	2	0	0
10	206S12002	5501	螺钉SM9/64×40	Screw	1	1	0
11	20128032	210930	护针垫圈	Spring washer	1	1	0
12	20609005	204631A	针板固定板	Bracket	1	0	0
13	S01028	7012	螺钉M3.5×5.7	Screw	1	1	0
14	20601015	204636B	护针架	Bracket	1	1	0
15	S01030	7014	螺钉M3.5×9.7	Screw	2	2	0
16	20622003	240305	减震垫	Cushion rubber	1	1	1
17	20609007	209541	五线针板固定块	Bracket	0	0	1
18	S01010	7019	螺钉M4×8	Screw	0	0	1
19	20609008	209540	五线针板垫块	Bracket	0	0	1
20	S01010	7019	螺钉M4×8	Screw	0	0	2
21	20501006	209539	针板垫块	Bracket	1	0	0
22	206S17001	5484-HC	螺钉SM11/64×40	Screw	0	0	2
23	S01027	7010	螺钉M3×6	Screw	0	0	1
24	206S30022	5315	螺钉	Screw	0	0	1
25	S01027	7010	螺钉SM3/32×56	Screw	0	0	2
26	206S12002	5501	螺钉SM9/64×40	Screw	0	0	1
27	20128032	210930	护针垫圈	Spring washer	0	0	1
28	S01027	7010	螺钉M3×6	Screw	0	0	2

第七部件 上弯针部件(Upper Looper Assemblies)

序号 Ref.No	公司件号 Part No	参考件号 Ref. Part. no	名称	Description	数量 (Number)		
					三线	四线	五线
					Three-thread	Four-thread	Five-thread
1	20605002	209546-92	弯针连杆	Rod	1	1	1
2	S04005	7023A	螺钉M4×15.5	Screw	4	4	4
3	20628007	209660	连杆垫片	Washer	2	2	2
4	20604005	209560-92	0号球曲柄	Crank	1	0	1
	20604008	209562-92	2号球曲柄	Crank	0	1	1
5	L02005	7369	螺钉M6×0.75×9	Screw	2	2	2
6	20602018	209583	轴	Shaft	1	1	1
7	20628006	240338	垫圈	Washer	1	1	1
8	206S30018	7174	螺钉M5×10	Screw	1	1	1
9	20528012	202286	上弯针垫圈	Spring washer	1	1	1
10	20622019	210586A	油封	Oil seal	1	1	1
11	S01002	7018	螺钉M4×6.5	Screw	1	1	1
12	20602007	209568-92	上弯针摆杆	Lever	1	1	1
13	206S30014	7150	螺钉M6×0.75×12	Screw	1	1	1
14	2060200800	209587-91	上弯针滑杆组件	Upper looper holder	1	1	1
15	20623005	179130-05	上弯针滑杆套油毡	Felt	1	1	1
16	20626006	179136A	上弯针滑杆销	Pin	1	1	1
17	206S30011	4545	螺钉M3×4	Screw	1	1	1
18	20609009	209589	上弯针滑杆固定块	Base/upper looper	1	1	1
19	S05019	4510	螺钉M6×16.3	Screw	2	2	2
20	20623009	209643	海棉塞	Filter	0.006M	0.006M	0.006M
21	20612025	209590	上弯针过线挡板	Cover	1	1	1
22	206S17002	7039	螺钉SM3/32×56	Screw	1	1	1
23	206S11004	001998-2	螺钉SM9/64×40	Screw	1	1	1
24	20626007	209703-91	上弯针滑杆过油器	Pin	1	1	1
25	20626020	210214	过油器滚珠	Plug	1	1	1
26	S10007	4543	螺钉M4×4	Screw	1	1	1
27	20603011	209528	上弯针后套	Sleeve	1	1	1
28	20603010	270004	上弯针前套	Sleeve	1	1	1
29	20623001	209702	机头油塞	Felt	0.025M	0.025M	0.025M
30	20523004	209690-91	BRC-752油线	Oil week	0.03M	0.03M	0.03M
31	206S11007	7033	螺钉	Screw	1	1	1



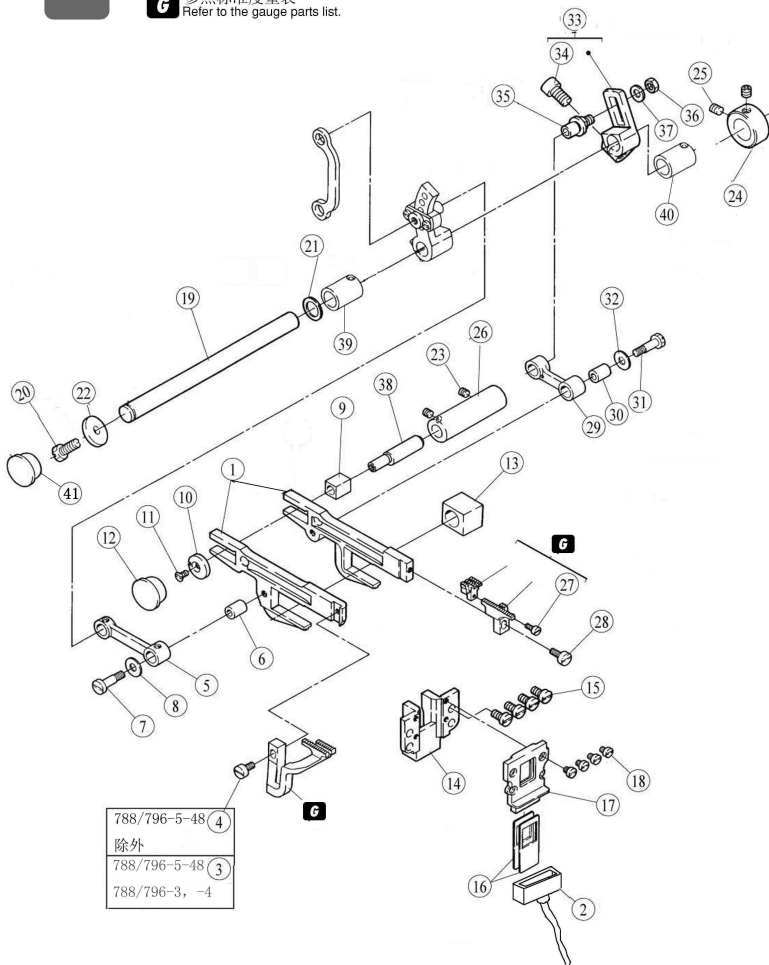
第八部件 下弯针部件(Lower Looper Assemblies)							
序号 Ref.No	公司件号 Part No	参考件号 Ref. Part. no	名称	Description	数量 (Number)		
					三线	四线	五线
					Three-thread	Four-thread	Five-thread
1	20605002	209546-92	弯针连杆	Rod	1	1	1
2	S04005	7023A	螺钉M4×15.5	Screw	4	4	4
3	20628007	240484	连杆垫片	Washer	2	2	2
4	20604007	209563-92	五线球曲柄	Crank	0	0	1
5	20604008	209562-92	2号球曲柄	Crank	0	1	0
6	20604006	204787-1	1号球曲柄	Crank	1	0	0
7	L02005	7369	螺钉M6×0.75×9	Screw	2	2	2
8	20602018	209583	轴	Shaft	1	1	1
9	20628006	240338	垫圈	Washer	1	1	1
10	206S30018	7174	螺钉M5×10	Screw	1	1	1
11	20528012	202286	垫圈	Spring washer	1	1	1
12	20622019	210586A	油封	Oil seal	1	1	1
13	20604009	209007-91	下弯针架	Lower looper holder	1	1	1
14	20626008	208259	下弯针架销	Pin	1	1	1
15	20626009	209083	下弯针架上销	Pin	1	1	1
16	205S30036	5284	螺钉	Screw	1	1	1
17	206S11002	1175-3	螺钉SM9/64×40	Screw	1	1	1
18	20603010	270004	下弯针轴前套	Sleeve	1	1	1
19	20603011	209528	下弯针轴后套	Sleeve	1	1	1



第九部件 差动送布部件(Differential Feed Assemblies)

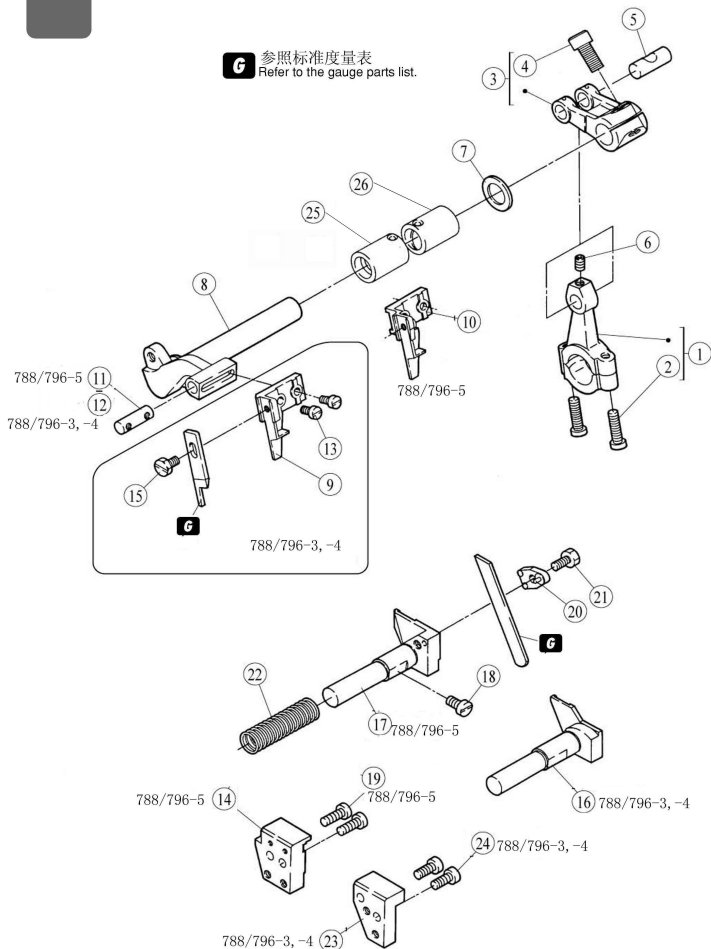
序号 Ref.No	公司件号 Part No	参考件号 Ref. Part. no	名称	Description	数量 (Number)		
					三线	四线	五线
					Three-thread	Four-thread	Five-thread
1	2060401100	209556-91-01	香蕉曲柄组件	Crank	1	1	1
2	206S11013	7011	螺钉M3×8	Screw	2	2	2
3	S05018	4533	螺钉M6×0.75×12	Screw	1	1	1
4	20605005	204140A	差动连杆	Link/Dlef feed	1	1	1
5	206S20003	7058	螺钉M5×3.2	Screw	2	2	2
6	20604013	209570-92	差动曲柄	Lever	1	1	1
7	S05018	4533	螺钉M6×0.75×12	Screw	1	1	1
8	20602010	272533A	差动轴	Shaft	1	1	1
9	20622010	204185	差动轴O型圈	O ring	1	1	1
10	20612027	209649	差动扳手	Lever	1	1	1
11	20627006	272534	差动扳手定位簧	Spring	1	1	1
12	206S20005	7161	螺钉M5×8.5	Screw	1	1	1
13	20612028	209650	差动固定板	Regulator plate	1	1	1
14	20609010	204143A	固定板定位块	Stopper	2	2	2
15	S01003	7021	螺钉M4×12	Screw	2	2	2
16	206S16001	252069A	差动扳手螺母	Nut	1	1	1
17	206S30010	7059	螺钉SM11/64×40	Screw	1	1	1
18	20628009	211301	碟簧	Spring washer	1	1	1
19	20605003	209594	送料大连杆	Rod	1	1	1
20	20605004	209555-92	送料摇杆	Crank	1	1	1
21	S05018	4533	螺钉M6×0.75×12	Screw	1	1	1
22	20626003	271001	送料大连杆销	Pin	1	1	1
23	S10008	4538	螺钉M3×6	Screw	1	1	1
24	B07008	240012	轴承K20×24×10	Needle bearing	1	1	1
25	2061000100	20592-91	送布固定组件	Regulator	1	1	1
26	20622009	200020	开针轴O型圈	O ring	2	2	2
27	S10002	4514	螺钉M5×5	Screw	2	2	2
28	20610003	272501	送布凸轮	Eccentric	1	1	1
29	20610002	210129	小偏心	Guide/Feed eccentric	1	1	1
30	20629001	210130	弹簧片	Flat spring	1	1	1
31	S10001	4535	螺钉M3×4	Screw	2	2	2
32	20610005	272504-91	送料偏心	Eccentric Assenbly	1	1	1
33	20626011	240436	送料偏心开口销	Sping pin	2	2	2
34	20610004	272502	U型槽	Ratchet	1	1	1
35	20627004	272503	送料偏心弹簧	Sping	1	1	1
36	205S30031	7038	螺钉M2×3	Screw	1	1	1
37	20602009	209639	开针轴	Push button	1	1	1
38	20627005	240517	开针轴弹簧	Sping	1	1	1
39	20629006	202522	卡簧	Ring	1	1	1
40	20628008	240484	开针轴垫片	Washer	2	2	2
41	20603009	270006	差动轴套筒	Sleeve	1	1	1

G 参照标准度量表
Refer to the gauge parts list.



第十部件 送料部件(Feed Dog Assemblies)							
序号 Ref.No	公司件号 Part No	参考件号 Ref. Part. no	名称	Description	数量 (Number)		
					三线	四线	五线
					Three-thread	Four-thread	Five-thread
1	2060600100		牙架组件	Differential feed bar	1	1	1
2	20621005		回油管	Vitta	1	1	1
3	206S11003	1189	螺钉SM9/64×40×6	Screw	1	1	1
4	206S11002	1175-3	螺钉SM9/64×40×10	Screw	1	1	1
5	20605006	204122	左牙叉连杆	Link/differential feed	1	1	1
6	20626013	204114	牙叉连杆销	Bushing	1	1	1
7	206S12001	5231	螺钉SM11/64×40×18	Screw	1	1	1
8	20628012	204115	牙叉连杆垫片	Washer	1	1	1
9	20609011	205857	牙架偏心轴滑块	Block/feed bar guide	1	1	1
10	20628013	204439A	小偏心垫片	Washer	1	1	1
11	S02007	7041	螺钉M3×5	Screw	1	1	1
12	20622012	240310	油封	Plug	1	1	1
13	20603019	204810	抬牙滑块	Block/feed bar lift	1	1	1
14	20606003	209595	牙架挡块	Guide/feed bar	1	1	1
15	S01010	7019	螺钉M4×8	Screw	4	4	4
16	20622013	208109	防油隔板	Oil shield/feed bar guide	3	3	3
17	20601017	209519	防油柄	Guide/feed bar oil seal	1	1	1
18	S01006	7009	螺钉M3×4.5	Screw	4	4	4
19	20602011	209584	送料轴	Shaft	1	1	1
20	S01035	7082	螺钉M4×7.5	Screw	1	1	1
21	20628011	240311	送料轴垫圈	Washer	1	1	1
22	20528018	204107	垫片	Washer	1	1	1
23	S10007	4543	螺钉M4×4	Screw	2	2	2
24	20608003	208101	挡圈	Collar	1	1	1
25	205S30037	5084	螺钉	Screw	2	2	2
26	20609012	209673	调压套筒	Bushing	1	1	1
27	206S11009	5492	螺钉SM3/32×56×6	Screw	1	1	1
28	206S11001	1175-2	螺钉SM9/64×40×8	Screw	1	1	1
29	20605007	204111A	右牙叉连杆	Link/main feed	1	1	1
30	20626013	204114	牙叉连杆销	Bushing	1	1	1
31	206S12001	5231	螺钉SM11/64×40×18	Screw	1	1	1
32	20628012	204115	牙叉连杆垫片	Washer	1	1	1
33	20604014	209564-92	送料曲柄	Crank	1	1	1
34	S05018	4533	螺钉M6×0.75×12	Screw	1	1	1
35	20626012	209677	送布曲柄螺钉销	Pin	1	1	1
36	N01004	4805	螺母M5	Nut	1	1	1
37	20528015	202045	送布曲柄销垫圈	Washer	1	1	1
38	20602012	209672	调牙轴	Feed bar pin	1	1	1
39	20603007	209530	送布轴前套	Sleeve	1	1	1
40	20603008	209531	送布轴后套	Sleeve	1	1	1
41	20628023	208173	送布轴油封	Plug	1	1	1

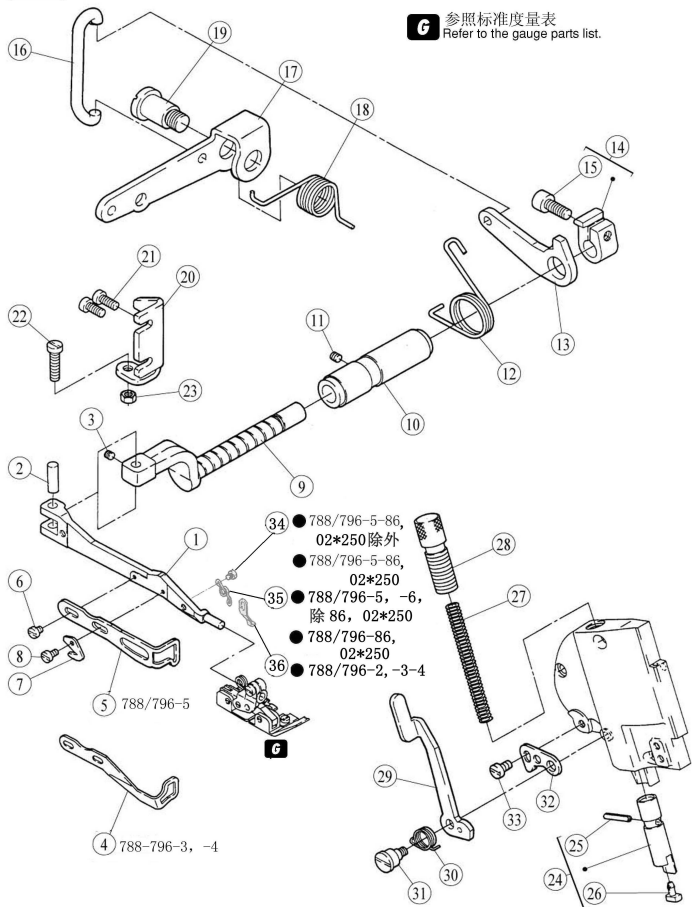
G 参照标准量表
Refer to the gauge parts list.



第十一部件 切刀部件(Trimming Assemblies)

序号 Ref.No.	公司件号 Part No.	参考件号 Ref. Part. no	名称	Description	数量 (Number)		
					三线	四线	五线
					Three-thread	Four-thread	Five-thread
1	20605008	209545-92	上刀连杆	Rod	1	1	1
2	S04005	7023A	螺钉M4×15.5	Screw	2	2	2
3	20602013	209554-92	上刀曲柄	Crank	1	1	1
4	S05018	4533	螺钉M6×0.75×12	Screw	1	1	1
5	20626003	271001	曲柄销	Pin	1	1	1
6	S10008	4538	螺钉M3×6	Screw	1	1	1
7	20628014	208235	上刀架垫片	Washer	1	1	1
8	20619001	209598	上刀架	Uppwer knife lever	1	1	1
9	20609013	204638	上刀座	Uppwer knife clamp	1	1	0
10	20609014	208402	上刀座	Uppwer knife clamp	0	0	1
11	20626014	209674	三四线上刀曲柄轴销	Pin	1	1	0
12	20626015	209675	上刀曲柄销	Pin	0	0	1
13	S01029	7013	螺钉M3.5×7.5	Screw	2	2	2
14	20601019	209667	五线角板	Guide	0	0	1
15	201S12001	5088	螺钉SM9/64×40×8	Screw	1	1	1
16	20604015	208851	下刀架	Lower knife holder	1	1	0
17	20604016	209542	下刀架	Lower knife holder	0	0	1
18	S01010	7019	螺钉M4×8	Screw	1	1	1
19	S01003	7021	螺钉M4×12	Screw	0	0	2
20	20101026	210184	下刀架压板	Clamp/Lower knife	1	1	1
21	201S12005	2193	螺钉SM11/64×40×8.5	Screw	1	1	1
22	20627007	204158	下刀架弹簧	Spring	1	1	1
23	20601018	209666	三四线角板	Guide	1	1	0
24	S01003	7021	螺钉M4×12	Screw	2	2	0
25	20603003	209532	上刀轴前轴套	Sleeve	1	1	1
26	20603004	209533	上刀轴后轴套	Sleeve	1	1	1

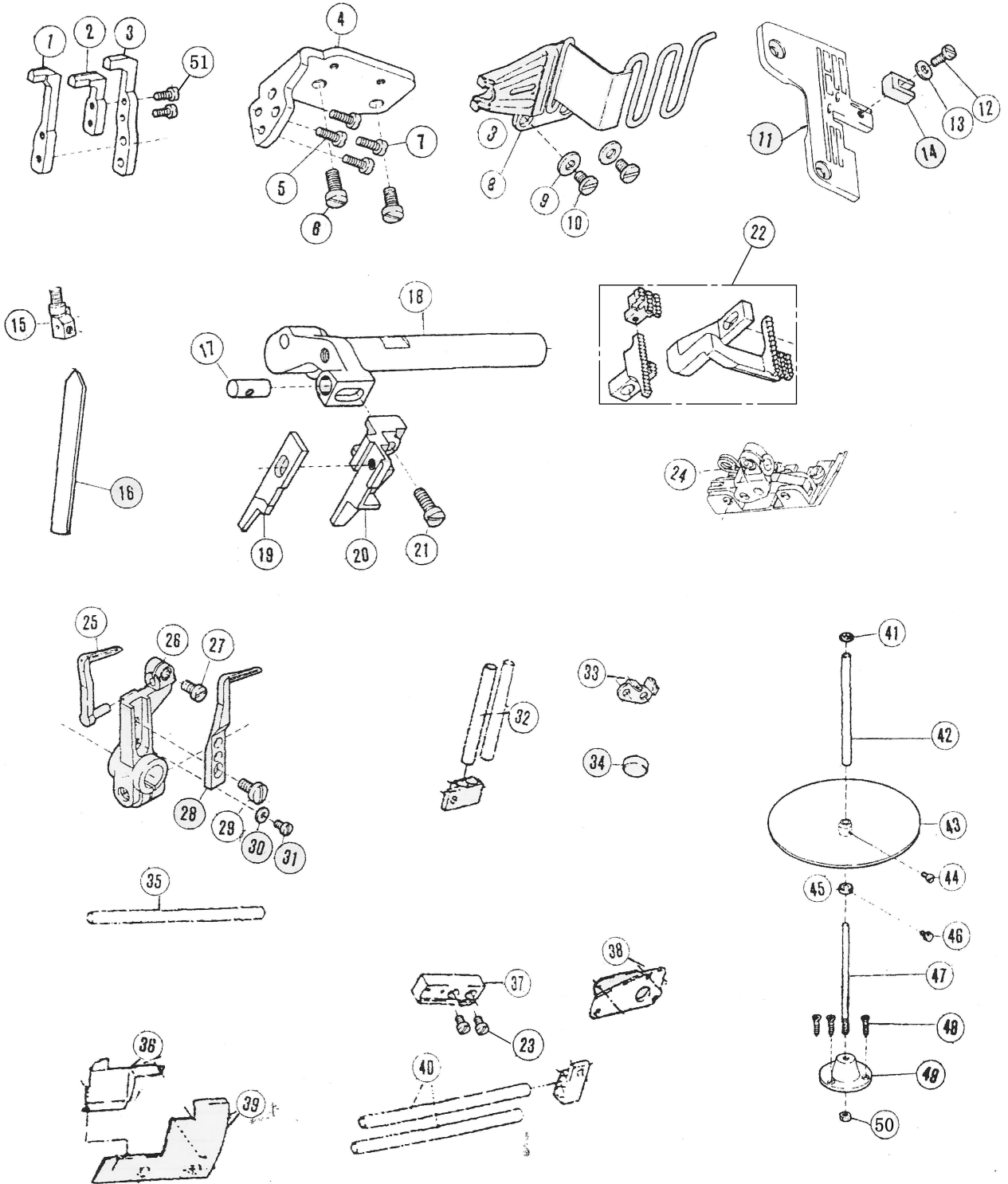
G 参照标准度量表
Refer to the gauge parts list.



第十二部件 压脚架部件(Presser Fot Assemblies)

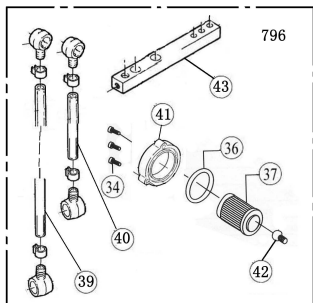
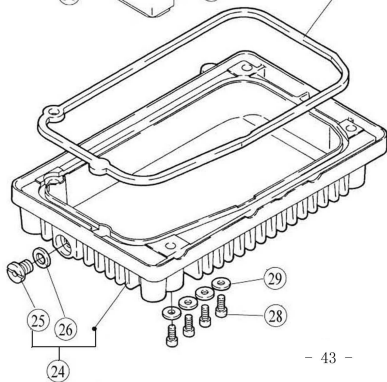
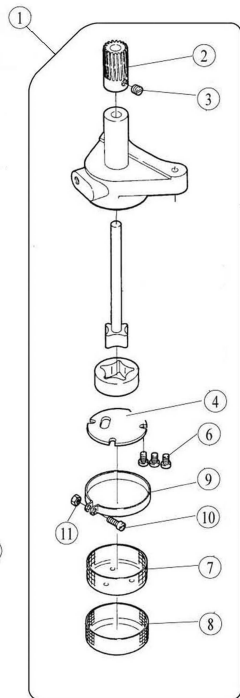
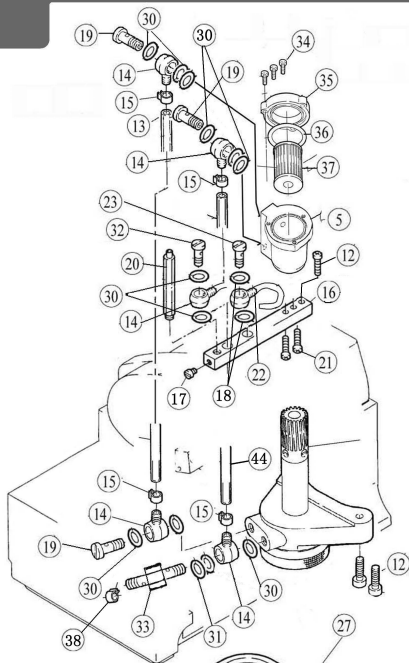
序号 Ref.No	公司件号 Part No	参考件号 Ref. Part. no	名称	Description	数量 (Number)		
					三线	四线	五线
					Three-thread	Four-thread	Five-thread
1	20616002	209678	压脚臂	Presser arm	1	1	1
2	20626016	208549	压脚臂连杆销	Pin	1	1	1
3	S10011	4594	螺钉M4×0.5×4	Screw	1	1	1
4	20612032	209471	三四线护手	Finger guard	1	1	0
5	20612033	209472	五线护手	Finger guard	0	0	1
6	S01022	7008	螺钉M3×4	Screw	1	1	1
7	20619005	202451	割线刀	Chain cutter	1	1	1
8	S01006	7009	螺钉M3×4.5	Screw	1	1	1
9	20602014	209596	压脚轴	Shaft	1	1	1
10	20603020	209597	压脚轴套筒	Bushing	1	1	1
11	S10007	4543	螺钉M4×4	Screw	1	1	1
12	20627009	274005	小杠杆扭簧	Sping	1	1	1
13	20612030	274004	抬压脚小杠杆	Lever	1	1	1
14	20608004	274003-92	抬压脚复位圈	Collar	1	1	1
15	S05017	4534	螺钉M6×0.75×13.5	Screw	1	1	1
16	20616001	274006	压脚吊勾	Link	1	1	1
17	20612029	209452	抬牙脚杠杆	Lever/Foot lift	1	1	1
18	20627008	209458	杠杆复位位簧	Sping	1	1	1
19	206S20001	7060	螺钉M10×1.5×8.5	Screw	1	1	1
20	20612031	209676	压脚角板	Stopper	1	1	1
21	S01010	7020	螺钉M4×8	Screw	2	2	2
22	S01023	7175	螺钉M5×24	Screw	1	1	1
23	N01004	4805	螺母M5	Nut	1	1	1
24	20602015	209603-91	压杆	Presser bar	1	1	1
25	P03006	205584	销4.5×18	Spring pin	1	1	1
26	20611006	274013	压杆减震块	Pin	1	1	1
27	20627011	208773	压杆簧	Spring	1	1	1
28	206S30004	209638	压杆调节螺柱	Screw	1	1	1
29	20612034	274016A	压杆扳手	Lever	1	1	1
30	20627010	274017	压杆扳手扭簧	Spring	1	1	1
31	206S30017	7171	螺钉M4×4.2	Screw	1	1	1
32	20612035	209652	压杆扳手限位板	Stopper	1	1	1
33	S01002	7130	螺钉M4×6.5	Screw	1	1	1
34	S01006	7009	螺钉	Screw	1	1	1
	206S20008	7365	螺钉	Screw	0	0	1
35	20127016		压脚弹簧	Spring	1	1	1
	20627012	208913	压脚弹簧	Spring	0	0	1
36	20612036	208547	压脚限位板	Stopper	1	1	1

JK788 包兜机专用件



第十三部件 包兜机(02*250)专用件部件 (Appropriate Assemblies for 02*250)

序号 Ref.No	公司件号 Part No	参考件号 Ref. Part. no	名称	Description	数量 (Number)
1	20517007		右后护针档	Ringt needle guard	1
2	20517008		左后护针档	Left needle guard	1
3	20517009		右后护针档	Ringt needle guard	1
4	20501015		护针档座	Needle guard bracket	1
5	S01027	7010	螺钉	Screw	2
6	S01010	7019	螺钉M4×8	Screw	2
7	S01027	7010	螺钉	Screw	2
8	20501016		卷具组件	Binder assemblies	1
9	20528009		垫片	Washer	2
10	S01028	7012	螺钉M3.5×6	Screw	2
11	20515006		针板	Throat plate	1
12	S01009		螺钉	Screw	1
13	20528010		垫片	Washer	1
14	20512012		缝料挡板	Cloth guide plate	1
15	20534002		针夹头	Needle clamp	1
16	20519003		下刀	Lower knife	1
17	20526001		上刀架销	Pin	1
18	20502002		上刀架轴	Upper knife frame rock shaft	1
19	20519004		上刀	Upper knife	1
20	20501017		上刀座	Upper knife holder	1
21	S01010	7019	螺钉M4×8	Screw	1
22	20506006		牙齿	Feed dog	1
23	S01010	7019	螺钉M4×8	Screw	2
24	20516007		压脚组件	Presser foot assemblies	1
25	20517010		右弯针	Needle guard	1
26	20504001		弯针架	Looper holder	1
27	205S30029		螺钉	Screw	1
28	20517021	209685-C	前弯针	Front looper holder	1
29	206S11003	1189	螺钉SM9/64×40×6	Screw	1
30	20528011		垫片	Washer	1
31	205S30030		螺钉	Screw	1
32	20512013		过线管组件	Thread pipe assemblies	1
33	20512014		过线件	Thread guide	1
34	10122006		油封	Oil seal	2
35	20503002		上弯针轴	Upper looper shaft	1
36	20501018		挡板	Front cover(center)	1
37	20501019		卷具架座	Binder bracket	1
38	20501020		上弯针密封板	Cover	1
39	20501021		前盖板	Front cover	1
40	20513006		过线管组件	Thread pipe assemblies	1
41	20531001	000406	固定棒帽	Rubber seal	1
42	20531002	000405	过线架	Spool pin	1
43	20531003	000404	托盘	Spool tray	1
44	20531004	004012	螺母	Nut	1
45	20531005	000407	螺钉	Screw	1
46	20531006	000408	螺钉	Screw	1
47	20531007	000409	固定棒	Bar	1
48	20531008	004908	螺钉	Screw	3
49	20531009	000410-SA	带子架座	Bracket	1
50	20531010	004818	螺钉	Screw	1
51	S01010	7019	螺钉	Screw	2

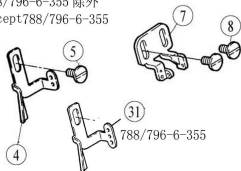


796

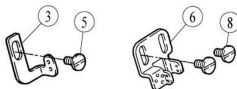
第十四部件 油泵部件(Lubrication Assemblies)

序号 Ref.No.	公司件号 Part No.	参考件号 Ref. Part. no	名称	Description	数量 (Number)		
					三线	四线	五线
					Three-thread	Four-thread	Five-thread
1	2062000200	209610-91	油泵组件	Pump	1	1	1
2	20620001	209612D	油泵蜗轮	Worm wheel	1	1	1
3	S10002	4514	螺钉M5×5	Screw	1	1	1
4	20620005	212982A	油泵盖	Pump cover	1	1	1
5	20601022	205341	油缸	Tank	1	1	1
6	S01028	7012	螺钉M3.5×5.7	Screw	3	3	3
7	20620007	209408	油泵滤油网	Filter (inside)	1	1	1
8	20620008	209409	油泵滤油网	Filter (inside)	1	1	1
9	20620006	209410	油泵卡碰	Clamp	1	1	1
10	206S11013	7011	螺钉M3×8	Screw	1	1	1
11	206S16003	48000	螺母	Nut	1	1	1
12	S04005	7023A	螺钉	Screw	3	3	3
13	2032100400		油管	Oil tube	2	2	2
14	20636001	200136	油管接头	Joint	5	5	5
15	20629002	202199	油管卡簧	Clamp	5	5	5
16	20601020	209654	油管架	Oil distributor	1	1	1
17	S01002	4514	螺钉	Screw	1	1	1
18	20122034		垫片	Washer	2	2	2
19	206S30009	240328	过油螺钉	Joint screw	3	3	3
20	206S30008	209656	油管架支柱	Screw	1	1	1
21	S04005	7023A	螺钉M4×15.5(788)	Screw	2	2	2
22	20521013		喷油管	Oil tube	1	1	1
23	301S30012		过油螺钉	Joint screw	1	1	1
24	20601021	209688-9	油盘	Oil reservoir	1	1	1
25	201S11031	5318B	螺钉SM3/8×28×12	Screw	1	1	1
26	20528014	202287A	垫圈	Washer	1	1	1
27	20622015	209578	油盘油封	Gasket	1	1	1
28	S05019	4531	螺钉M5×11.5	Screw	4	4	4
29	20628018	240339	垫片	Washer	4	4	4
30	20122033		垫片	Washer	10	10	10
31	20528015	202045	垫片	Washer	1	1	1
32	206S30007	274586	过油螺钉	Joint screw	1	1	1
33	20521007	274592	铜油嘴	Joint screw	1	1	1
34	S01003	7021	螺钉M4×12	Screw	3	3	3
35	20501028		滤油器盖	Filter element cover	1	1	1
36	001010	206431	O型圈 38.7X3.55	O ring	1	1	1
37	20136001	206233	滤油器	Filter element	1	1	1
38	20129002		卡簧	Sape ring	1	1	1
39	2032100400		油管	Oil tube	1	1	1
40	20521012		油管	Oil tube	1	1	1
41	300140		滤油器盖	Filter element cover	1	1	1
42	20121013		滤油器接头	Oil cljerner joint	1	1	1
43	20501003		供油棒	Oil distributor	1	1	1
44	20621006		针杆回油管	Oil tube	1	1	1

788/796-5
 788/796-6-355 除外
 Except 788/796-6-355

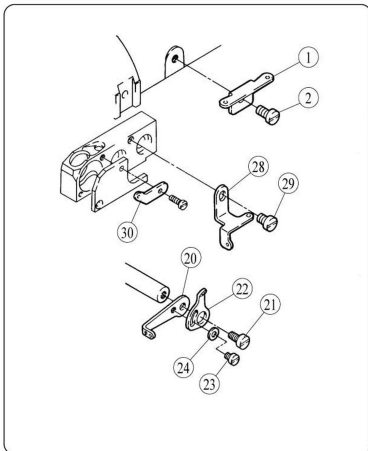
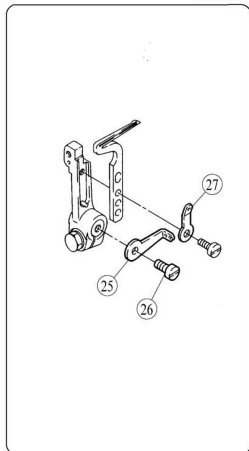
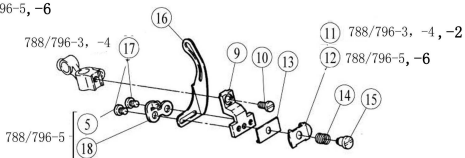


788/796-3, -4, -2, -6



19 ● 788/796-3, -4, -2

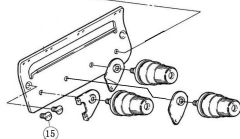
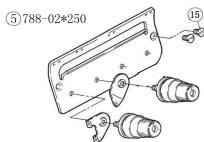
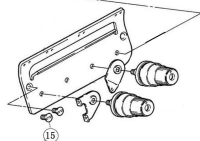
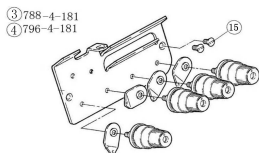
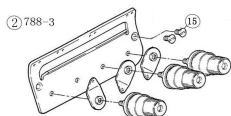
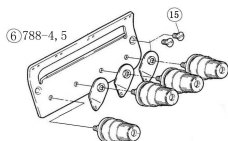
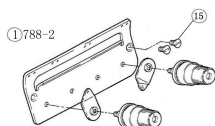
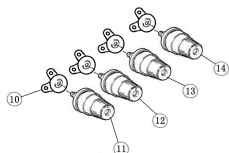
● 788/796-5, -6



第十五部件 过线部件(Thread Guide Assemblies)

序号 Ref.No	公司件号 Part No	参考件号 Ref. Part. no	名称	Description	数量 (Number)		
					三线	四线	五线
					Three-thread	Four-thread	Five-thread
1	20613010	209621	弯针过线	Thread guide	1	1	1
2	S01010	7019	螺钉M4×8	Screw	1	1	1
3	20613002	209628	机针过线	Needle thead guide	1	1	0
4	20613005	209629	过线	Thread guide	0	0	1
5	S01035	7367	螺钉M4×7.5	Screw	1	1	1
6	20613003	209713	三四线上过线	Needle thead guide	1	1	0
7	20613004	208778	五线上过线	Thread guide	0	0	1
8	S01035	7367	螺钉M4×7.5	Screw	2	2	2
9	20601023	209679	压线板架	Thread retainer	1	1	1
10	205S30038	5359	螺钉	Screw	1	1	1
11	20612046	200041A	三四线压线板	Thread retainer	1	1	0
12	20612047	200041	五线压线板	Thread retainer	0	0	1
13	20612048	202495	压线过线板	Guide	1	1	1
14	20627013	209728	压线弹簧	Spring	1	1	1
15	206S20008	7365	螺钉M3×2.5	Screw	1	1	1
16	20612049	209681	护线板	Needle thead take-up	1	1	1
17	206S30019	7366	螺钉M3×2.5	Screw	2	2	0
18	20613007	209684	五线过线	Thread guide	0	0	1
19	2061204600	200041ZJ	三四线压线板组件	Thread retainer	1	1	0
	2061204700	200041AZJ	五线压线板组件	Thread retainer	0	0	1
20	20613013	209624	弯针过线	Thead take-up	1	1	1
21	S01010	7019	螺钉M4×8	Screw	1	1	1
22	20613014	209625	上弯针铤线	Thead take-up	1	1	1
23	S01022	7008	螺钉M3×4	Screw	1	1	1
24	W01011	202875	垫圈	Washer	1	1	1
25	20613009	209626	弯针过线	Thead take-up	1	1	1
26	S01010	7019	螺钉M4×8	Screw	1	1	1
27	20613008	210353	弯针架过线	Thread guide	1	1	1
28	20613012	209623	机针过线	Thread guide	1	1	1
29	S01002	7018	螺钉M4×6.5	Screw	1	1	1
30	20613011	209683	上弯针过线	Thread guide	1	1	1
31	20613006	209712	六线过线	Thread guide	0	0	六线1个

796

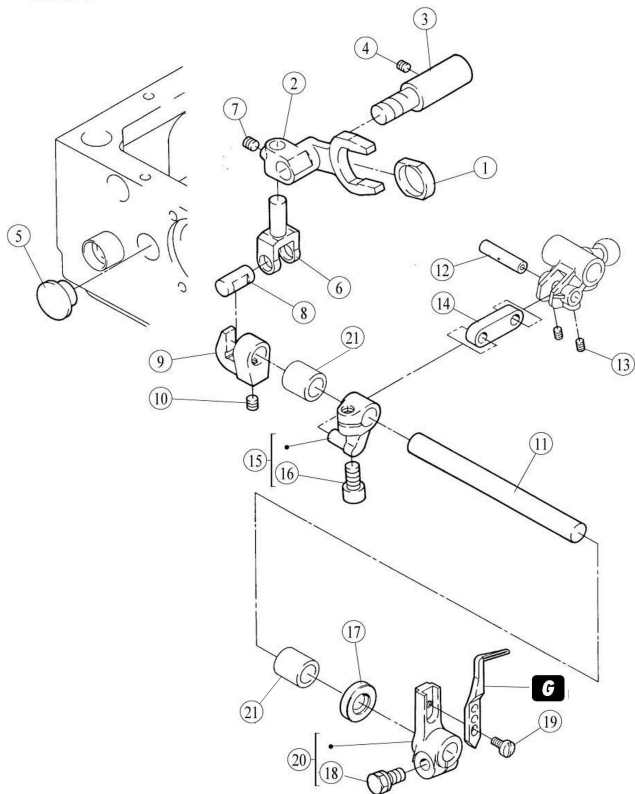


第十六部件 夹线器部件(Tension Spring Assemblies)

序号 Ref.No	公司件号 Part No	参考件号 Ref. Part. no	名称	Description	数量 (Number)		
					三线	四线	五线
					Three-thread	Four-thread	Five-thread
1	2061600500		夹线器组件	Tension spring assembly	(788-2)1	0	0
2	2061600600		夹线器组件	Tension spring assembly	1	0	0
3	2061600700		夹线器组件	Tension spring assembly	0	1	0
4	206S30016	7170	螺钉M4×4.5	Screw	2	2	2
5	2061600900		夹线器组件	Tension spring assembly	(02*250)1	0	0
6	3011600600		夹线器组件	Tension spring assembly	0	1	1
7	2061600800		夹线器组件	Tension spring assembly	0	0	1
8	2061601000		夹线器组件	Tension spring assembly	0	0	(6-355)1
15	206S30016		螺钉M4×4.5	Screw	2	2	2
	796-2				二线		
10	20513002		过线板	Thread guide	2	0	0
11	2071100400		夹线器	Tension spring	1		
14	2071100500		夹线器	Tension spring	1	0	0
	796-3						
10	20513002		过线板	Thread guide	3	0	0
11	2071100400		夹线器	Tension spring	1	0	0
13	2071100700		夹线器	Tension spring	1	0	0
14	2071100500		夹线器	Tension spring	1	0	0
	796-02*250				02*250		
10	20513002		过线板	Thread guide	2	0	0
11	2071100400		夹线器	Tension spring	1	0	0
12	2071100300		夹线器	Tension spring	1	0	0
	796-4, -5						
10	20513002		过线板	Thread guide	4	0	0
11	2071100400		夹线器	Tension spring	1	0	0
12	2071100300		夹线器	Tension spring	1	0	0
13	2071100700		夹线器	Tension spring	1	0	0
14	2071100500		夹线器	Tension spring	1	0	0

G 参照标准度量表
Refer to the gauge parts list.

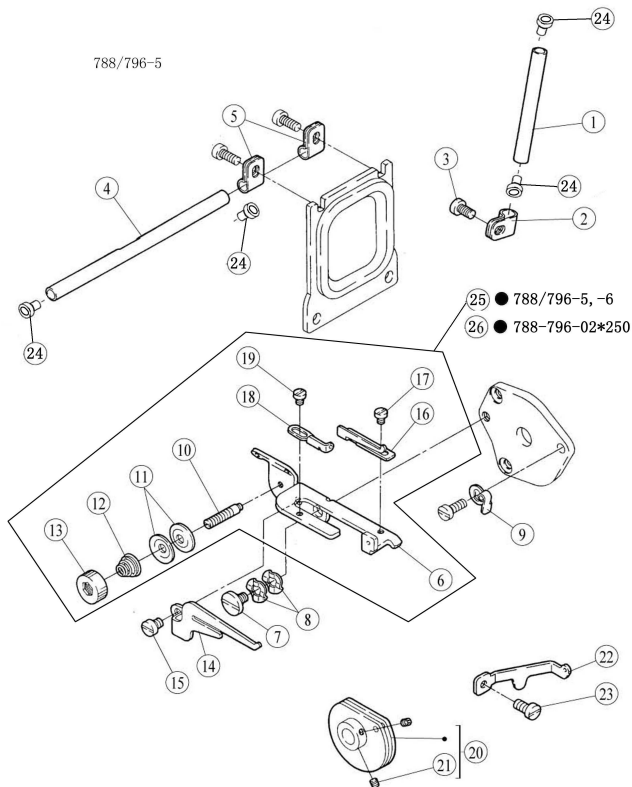
788/796-5



十七部件 五线推移轴部件 (Five-thread Process Shaft Assemblies)

序号 Ref.No	公司件号 Part No	参考件号 Ref. Part. no	名称	Description	数量 (Number)		
					三线	四线	五线
					Three-thread	Four-thread	Five-thread
1	20609016	209600	五线滑块	Block	0	0	1
2	20604018	209599	五线叉形曲柄	Lever	0	0	1
3	20602016	209586	五线推移轴	Shaft	0	0	1
4	S10002	4514	螺钉M5×5	Screw	0	0	1
5	20622012	240310	油封	Plug	0	0	1
6	20601024	209601	五线推移连接柱	Pin	0	0	1
7	S10002	4514	螺钉M5×5	Screw	0	0	1
8	20626017	273504	五线销	Pin	0	0	1
9	20604019	209602	链线弯针左曲柄	Holder	0	0	1
10	S10002	4514	螺钉M5×5	Screw	0	0	1
11	20602019	209585	轴	Shaft	0	0	1
12	20626018	208195	五线弯针球曲柄销	Pin	0	0	1
13	206S30011	4545	螺钉M3×4	Screw	0	0	2
14	20609017	208194	连板	Link/Looper drive	0	0	1
15	20604020	209569-92	链线弯针曲柄	Crank	0	0	1
16	S05018	4533	螺钉M6×0.75×12	Screw	0	0	1
17	20622019	210586A	油封	Oil seal	0	0	1
18	205S30036	5284	螺钉M6×0.75×12	Screw	0	0	1
19	206S11001	1175-2	螺钉	Screw	0	0	1
20	20602017	209689-92	五线弯针架	Looper holder	0	0	1
21	20603013	209534	链线弯针套筒	Sleeve	0	0	2

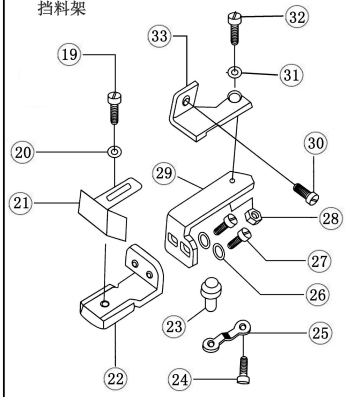
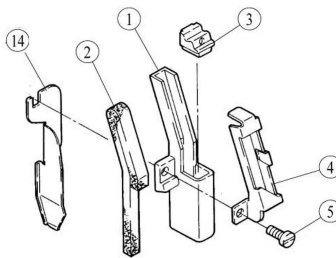
788/796-5



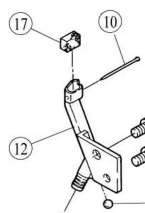
第十八部件 打线凸轮部件(Cam Assemblies)

序号 Ref.No	公司件号 Part No	参考件号 Ref. Part. no	名称	Description	数量 (Number)		
					三线	四线	五线
					Three-thread	Four-thread	Five-thread
1	20613015	209699	过线管	Thread guide pipe	0	0	1
2	20629003	206115	过线管夹	Bracket	0	0	1
3	S01010	7019	螺钉M4×8	Screw	0	0	1
4	20613016	209631	过线管	Thread guide pipe	0	0	1
5	20629003	206115	过线管夹	Bracket	0	0	2
6	20612057	275033A	打线凸轮架	Bracket	0	0	1
7	206S20004	7066	螺钉M4×3.7	Screw	0	0	1
8	20128015	210307	波形垫圈	washer	0	0	2
9	20629005	275037	卡簧	Flat spring	0	0	1
10	206S30015	7167	螺钉M3×2	Screw	0	0	1
11	20612055	137108	小夹线片	Tension disc	0	0	2
12	3012016	211388	夹线簧	Spring	0	0	1
13	206S16004	275034	夹线螺母	Nut	0	0	1
14	20612056	275035	分线板	Thread guide	0	0	1
15	S01031	7017	螺钉M4×4.7	Screw	0	0	1
16	20629004	275036	打线架卡簧	Thread guide	0	0	1
17	S01022	7008	螺钉M3×4	Screw	0	0	1
18	20613017	275039	凸轮架过线	Thread guide	0	0	1
19	S01022	7008	螺钉M3×4	Screw	0	0	1
20	20612058	179498-92	打线凸轮	Looper thread take-up	0	0	1
21	S10005	4554	螺钉M3×3	Screw	0	0	2
22	20613018	209630	过线	Thread guide	0	0	1
23	S01010	7019	螺钉M4×8	Screw	0	0	1
24	20611010	219600	导线管套	Thread guide pipe bushing	0	0	4
25	2061205700		打线凸轮架组件	Bracket assemblies	0	0	1
26	2061205900		打线凸轮架组件	Bracket assemblies	0	0	1

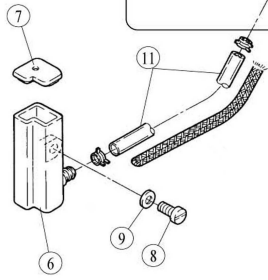
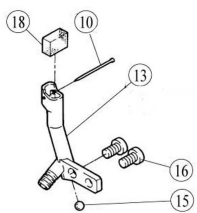
796 专用
挡料架



788/796-3, -4

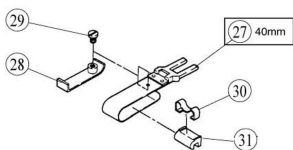
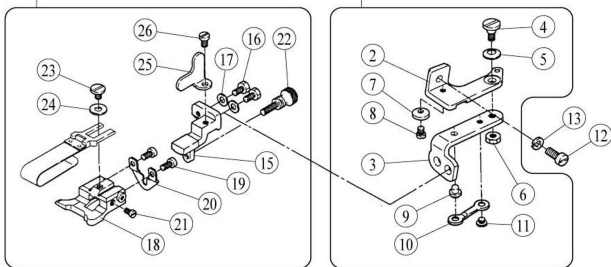


788/796-5

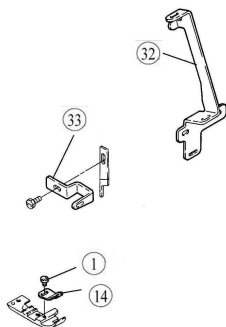


第十九部件 硅油盒部件(Oil Reservoir Assemblies)

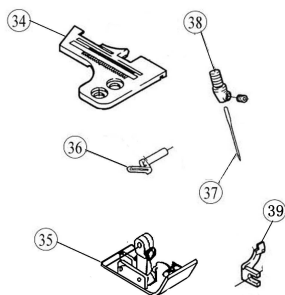
序号 Ref.No	公司件号 Part No	参考件号 Ref. Part. no	名称	Description	数量 (Number)		
					三线	四线	五线
					Three-thread	Four-thread	Five-thread
1	20622017	209614	上硅油盒壳	Oil reservoir(Upper)	1	1	1
2	20623009	209643	油毡	Felt	1	1	1
3	20622018	209615	上硅油盒盖	Cover	1	1	1
4	20612061	209627	上硅油固定壳	Thread guide	1	1	1
5	S01010	7020	螺钉M4×8	Screw	1	1	1
6	20611011	209616	下回油盒	Oil reservoir(Lower)	1	1	1
7	20522002	209617	下硅油壳盖	Cover	1	1	1
8	S01003	7021	螺钉M4×8	Screw	1	1	1
9	20612062	303448	油管螺钉垫片	Washer	1	1	1
10	20626019	210766	油毡固定销	Pin	1	1	1
11	20621004	200155	硅油管	Clamp	1	1	1
12	2050102200	209662ZJ	三四下硅油盒组件	Needle thread lubricator	1	1	0
13	2060402100	209614ZJ	五线下硅油盒组件	Needle thread lubricator	0	0	1
14	20612060	209697	上硅油盒底板	Needle thread lubricator	1	1	1
15	20617003	210214	下硅油固定滚珠	Plug	1	1	1
16	S01010	7020	螺钉M4×8	Screw	2	2	2
17	20623010	240178	油毡	Oil felt	1	1	0
18	20623009	209643	油毡	Oil felt	0	0	1
19	201S11009		螺钉	Screw	1	1	1
20	20128020		垫圈	Washer	1	1	1
21	20112054		挡料板	Snap plate	1	1	0
	20112055		挡料板	Snap plate	0	0	1
22	20112056		挡料板座	Snap plate bracket	1	1	1
23	20126020		铰链销	Hinge pin	1	1	1
24	201S11011		铰链簧螺钉	Hinge spring screw	1	1	1
25	20112053		铰链弹簧	Hinge spring	1	1	1
26	20128020		垫圈	Washer	2	2	2
27	201S12001	5088	铰链螺钉	Hinge screw	2	2	2
28	201S16003		螺母	Nut	1	1	1
29	20112051		送料支架	Cloth guide holder	1	1	1
30	201S11016		送料支架螺钉	screw	1	1	1
31	20128027		垫圈	Washer	1	1	1
32	201S20002		螺钉	screw	1	1	1
33	20112052		铰链	Hinge plate	1	1	1



788/796-4-13



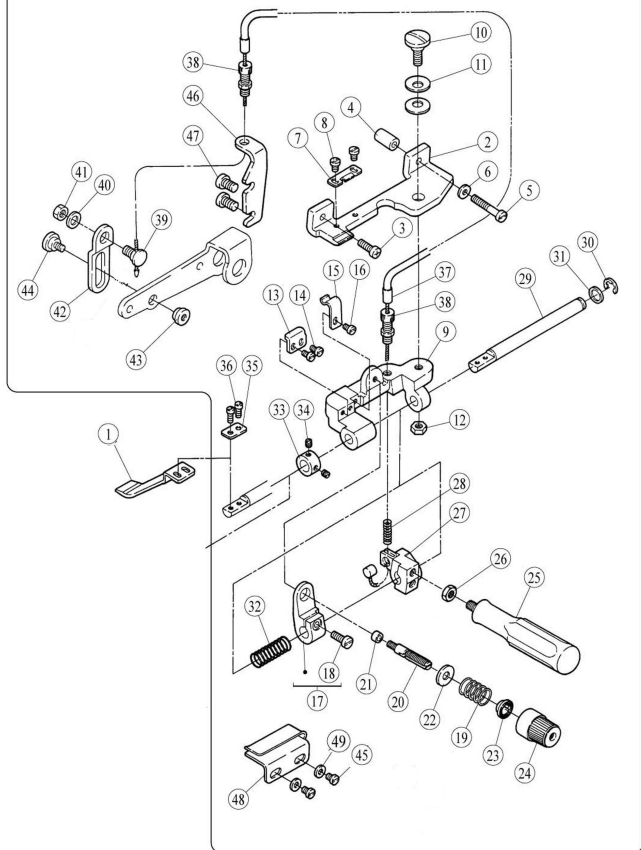
788/796-2



第二十部件 专用件部件 (Appropriative Assemblies)

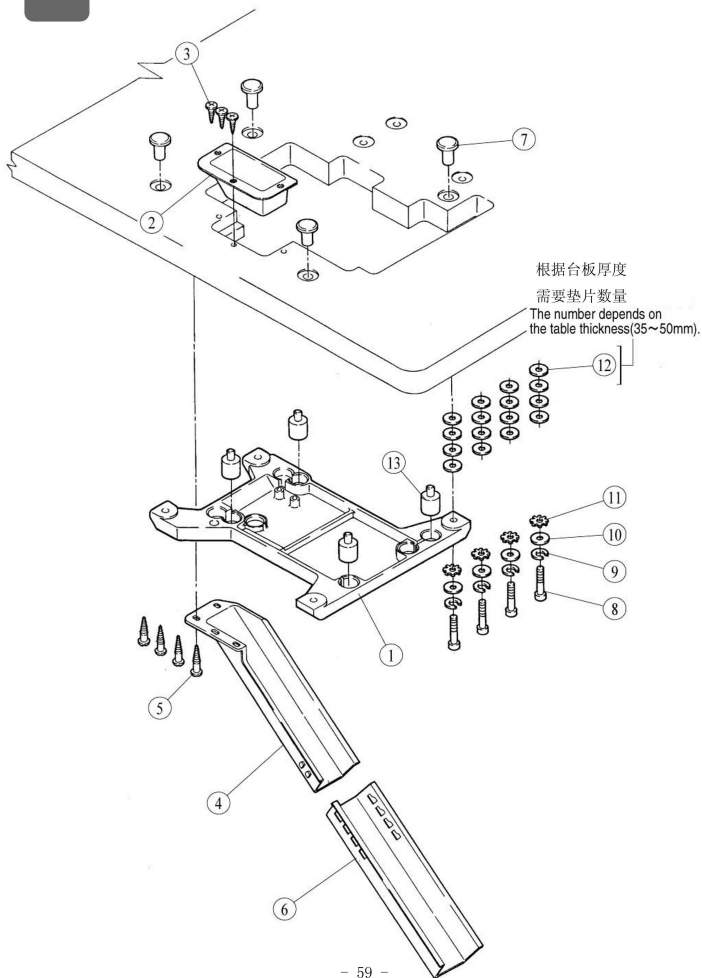
序号 Ref.No	公司件号 Part No	参考件号 Ref. Part. no	名称	Description	数量 (Number)		
					三线	四线	五线
					Three-thread	Four-thread	Five-thread
1	206S11014	1333	螺钉	Screw	0	1	0
2	20612045	201265B	角板	Corner plate	1	0	0
3	20612046	210681	角板	Corner plate	1	0	0
4	206S11015	1231	螺钉	Screw	1	0	0
5	20628018	240339	垫片	Washer	1	0	0
6	206S11019	003044	螺母	Nut	1	0	0
7	20628019	202875	垫片	Washer	1	0	0
8	206S11016	5089	螺钉	Screw	1	0	0
9	206S11017	5030	螺钉	Screw	1	0	0
10	20612047	210684	连接板	plate	1	0	0
11	206S11018	5157	螺钉	Screw	1	0	0
12	S01010	7020	螺钉4×8	Screw	1	0	0
13	W02002	201252	垫圈4	Washer	1	0	0
14	20612053	209622	压脚挡板	Fabric guide	0	1	0
15	20612043	210584	支架	Bracket	1	0	0
16	201S12001	5088	螺钉	Screw	2	0	0
17	20628017	210585	垫片	Washer	2	0	0
18	20612041	204683	固定块	Bracket	1	0	0
19	206S11018	5157	螺钉	Screw	2	0	0
20	20612042	204460	挡板	Plate	1	0	0
21	206S11011	7105	螺钉	Screw	1	0	0
22	206S11012	7232	螺钉	Screw	1	0	0
23	206S11010	5077	螺钉	Screw	1	0	0
24	20628016	201156	垫片	Washer	1	0	0
25	20612044	211600	角板	Corner plate	1	0	0
26	206S11013	7011	螺钉	Screw	1	0	0
27	20612040	208532	导向片	plate	1	0	0
28	20612048	202495	挡板	plate	1	0	0
29	20628020	5299	螺钉	Screw	1	0	0
30	20612049	209681	弹簧片	Spring	1	0	0
31	20612050	303312A	垫块	Bracket	1	0	0
32	20531026	209635	带条上导板	Bracket	0	1	0
33	20531027	205319	带条调整板	Guide	0	1	0
			BRC-752		二线		
34	20515003		二线针板	Throat plate	1	0	0
35	20516004		二线压脚	Presser foot form	1	0	0
36	20517002		二线弯针	Looper	1	0	0
37	20117014		机针	Needle	1	0	0
38	20634001	209670-92	针夹头	Needle clamp	1	0	0
39	20517020	204634	前护针板	Needle guard	1	0	0

788/796-5-48



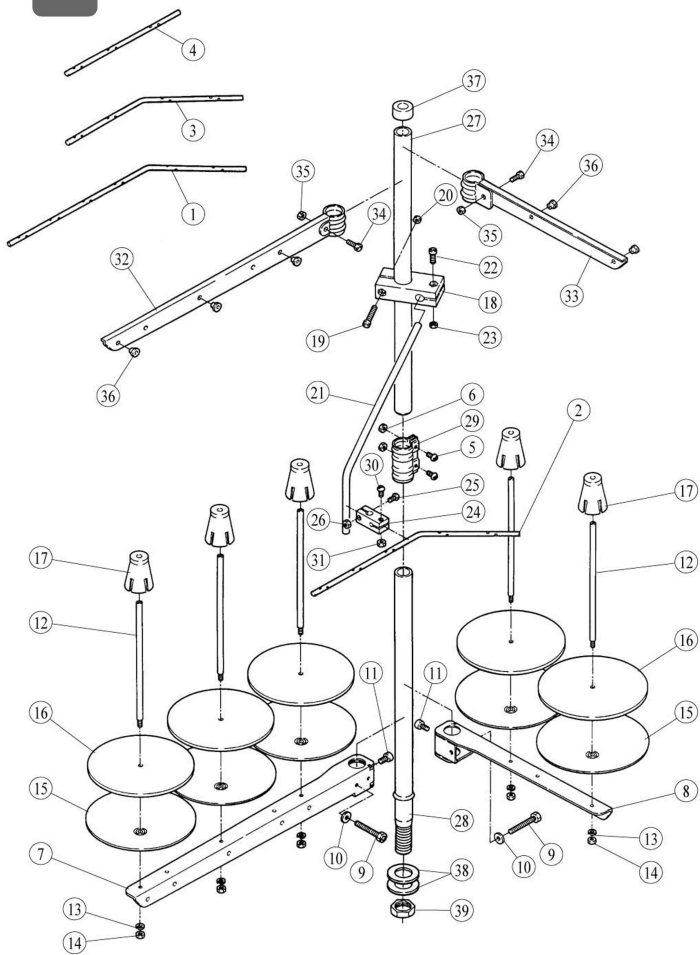
第二十一部件 BRC-732-48专用件部件(Appropriative Assemblies For 48)

序号 Ref.No	公司件号 Part No	参考件号 Ref. Part. No	名称	Description	数量 (Number)		
					三线	四线	五线
					Three-thread	Four-thread	Five-thread
1	20521006	275525	打褶器	Blade	0	0	1
2	20521002	275515	打褶器连接板	Bracket	0	0	1
3	S01007	007022A	螺钉M4×13.5	Screw	0	0	1
4	20528004	240332	连接板垫片	Spacer	0	0	1
5	205S30018	007191	连接板右侧螺钉	Screw	0	0	1
6	20528005	200098	连接板右侧垫片	Washer	0	0	1
7	20501012	210947	支架	Flat spring	0	0	1
8	206S11004	5328	支架螺钉	Screw	0	0	2
9	20521004	275516	打褶器支座	Bracket	0	0	1
10	205S30017	007160	连接板固定螺钉	Screw	0	0	1
11	20528003	204888	连接板垫片	Spring washer	0	0	2
12	205S16002	004806	连接固定螺母	Nut	0	0	1
13	20521003	210945	小连接板	Bracket	0	0	1
14	205S30020	005328	小连接板螺钉	Screw	0	0	2
15	20527005	210946	支架弹簧板	Flat spring	0	0	1
16	206S11004	5328	支架螺钉	Screw	0	0	1
17	20501013	275517-92	打褶皱座	Spring guide	0	0	1
18	205S30024	007021	螺钉	Screw	0	0	1
19	20529003	210940	调压簧	Spring	0	0	1
20	201S30016	005082A	螺钉SM11/64×40×21.5	Screw	0	0	1
21	20503001	210944	调压螺钉套	Washer	0	0	1
22	20528008	204091	夹线器垫片	Washer	0	0	1
23	30111006	208448	调压止动套	Ratchet	0	0	1
24	301S16006	208447-UA	调压螺母	Nut	0	0	1
25	20511008	275518	手柄	Lever	0	0	1
26	205S30021	004806	连接固定螺母	Nut	0	0	1
27	20511007	275520	手柄座	Bracket	0	0	1
28	20527006	240320	弹簧	Spring	0	0	1
29	20502001	275521	打褶器轴	Shaft	0	0	1
30	20629006	202522	卡簧	Ring	0	0	1
31	20528006	207045	垫片	Washer	0	0	1
32	20527007	240323	弹簧	Spring	0	0	1
33	20529002	206225	挡圈	Collar	0	0	1
34	S10009	001457-1	螺钉M6×8	Screw	0	0	2
35	20521005	210955	方板	Washer	0	0	1
36	205S30023	005029	螺钉	Screw	0	0	2
37	2051200900	212435	松线组件	Cable	0	0	1
38	205S30013	212436	支座接头螺钉	Cable support	0	0	2
39	205S30011	007099	带孔螺钉	Screw	0	0	1
40	20528008	202433	垫片	Washer	0	0	1
41	205S16002	004806	螺母	Nut	0	0	1
42	20512008	275522	吊板	Latch	0	0	1
43	205S16003	179765-15	螺母	Nut	0	0	1
44	205S30012	007164	吊板螺钉	Screw	0	0	1
45	S01028	007012	螺钉M3.5×6	Screw	0	0	2
46	20512007	209693	支座接头板	Bracket	0	0	1
47	205S30010	007052	支板紧固螺钉	Screw	0	0	2
48	20512011	210961	卷边器	Gloth guide	0	0	1
49	20528007	137906	垫片	Washer	0	0	2



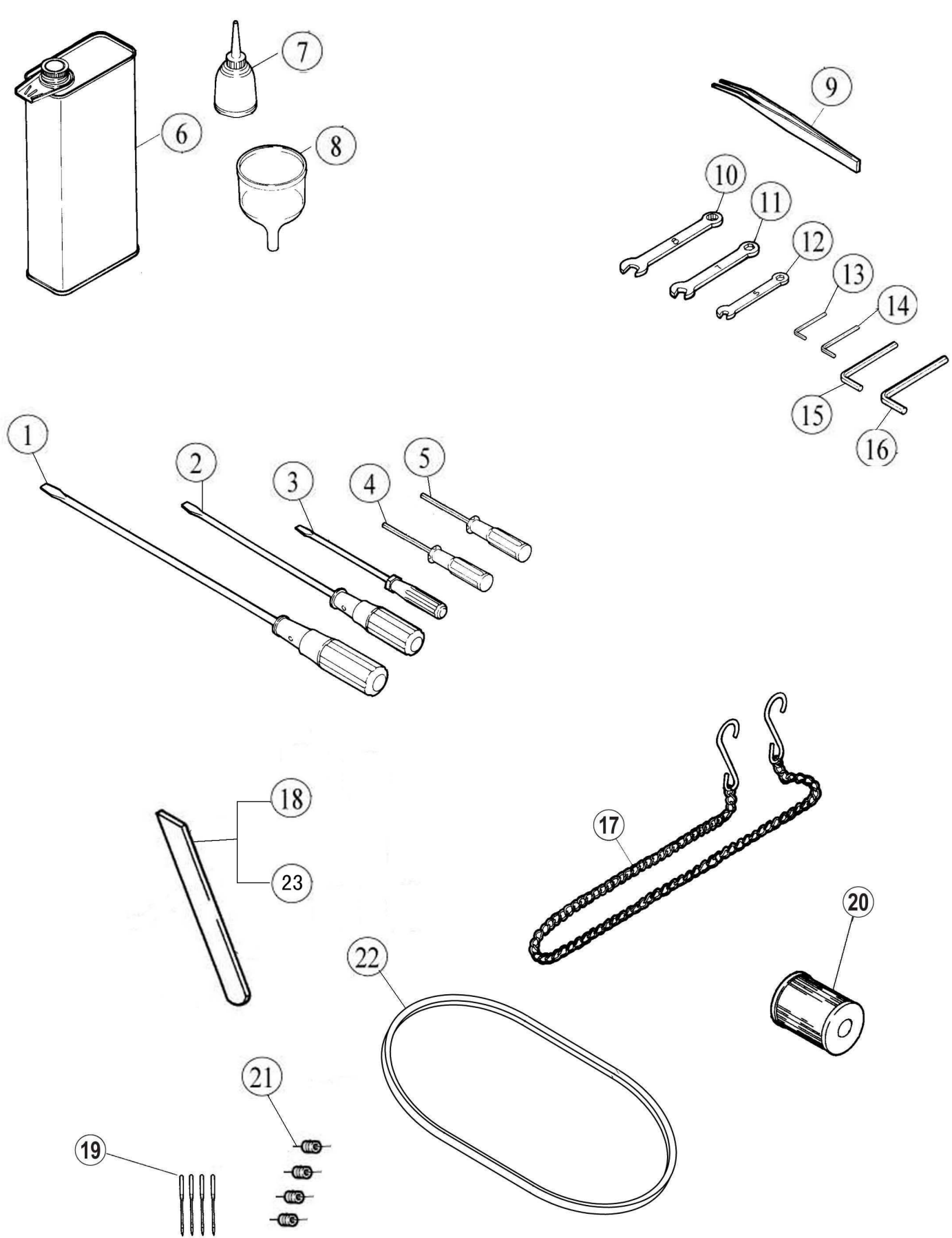
第二十二部件 托盘部件 (Machine Rest Board Assemblies)

序号 Ref.No	公司件号 Part No	参考件号 Ref. Part. no	名称	Description	数量 (Number)		
					三线	四线	五线
					Three-thread	Four-thread	Five-thread
1	20631005	205466	托盘	Machine rest board	1	1	1
2	20631002	205470-PA	接料盒	Waste funnel	1	1	1
3	206S30012	4904	木螺钉ST4×19	Screw	3	3	3
4	20631008	205468-PA	挑料桶	Waste chute top	1	1	1
5	206S30013	4905	木螺钉ST4×19	Screw	4	4	4
6	20631009	205469-PA	挑料桶	Waste chute extension	1	1	1
7	20631001	206336	螺钉固定头	Nut	4	4	4
8	S05017	4575	螺钉M8×55	Screw	4	4	4
9	20631007	201477	卡簧	Spring washer	4	4	4
10	20631003	240565	垫片	Washer	4	4	4
11	20631006	240304	花垫片	Washer	4	4	4
12	20631003	240565	垫片	Washer	16	16	16
13	20631004	205473	托盘减震垫	Cushion rubber	4	4	4



第二十三部件 线架部件 (Thread Spool Assemblies)

序号 Ref.No	公司件号 Part No	参考件号 Ref. Part. no	名称	Description	数量 (Number)		
					三线	四线	五线
					Three-thread	Four-thread	Five-thread
1	20631020	000293	过线棒	Thread guide(6-spool)	0	0	1个(六线用)
2	30113019	000293A	过线棒	Thread guide(5-spool)	0	0	1
3	20631019	000293B	过线棒	Thread guide(4-spool)	0	1	0
4	20631018	000293C	过线棒	Thread guide(3-spool)	1	0	0
5	206S16008	4021	螺钉	Screw	2	2	2
6	N01004	4805	螺母M5	Nut	2	2	2
7	20631029	000505-PA	长线架	Thread hanger	1	0	1
8	20631026	000505APA	短线架	Thread hanger	1	2	1
9	206S30025	7102	螺钉	Screw	0	2	2
10	20631032	000512	垫片	Washer	1	2	2
11	206S30024	4022	螺钉	Screw	1	2	2
12	20631023	000380A	线棒	Spool pin	3	4	5
13	20631031	201252	垫片	Spring washer	3	4	5
14	206S16006	4803	螺母	Nut	3	4	5
15	20631025	000381-PA	托盘垫	Spool seat disc	3	4	5
16	20631024	000507	线托盘	Spool mat	3	4	5
17	20631021	000382-PA	线固定套	Spool cushion	3	4	5
18	20631015	000383-PA	棒架	Holder	1	1	1
19	206S30027	4014	螺钉	Screw	1	1	1
20	206S16006	4803	螺母	Nut	1	1	1
21	20631022	000384	导线棒	Thread guide arm	1	1	1
22	206S30023	4012	螺钉	Screw	1	1	1
23	206S16006	4803	螺母	Nut	1	1	1
24	20631017	000233-PA	固定器	Holder	1	1	1
25	206S30023	4012	螺钉	Screw	1	1	1
26	206S16006	4803	螺母	Screw	1	1	1
27	20631012	000502-PA	线架上棒	Column pipe (upper)	1	1	1
28	20631027	000503-PA	线架下棒	Column pipe (lower)	1	1	1
29	20631016	000504-PA	锁紧卡固	Joint	1	1	1
30	206S30023	4012	螺钉	Screw	1	1	1
31	206S16006	4803	螺母	Nut	1	1	1
32	20631013	000527-PA	长过线架	Thread hanger	1	0	1
33	20631014	000527APA	短过线架	Thread hanger	1	2	1
34	206S16008	4021	螺钉	Screw	1	2	2
35	N01004	4805	螺母M5	Nut	1	2	2
36	20631030	000506	过线套	Thread eyelet	3	4	5
37	20631011	000386	棒帽	Rod cap	1	1	1
38	20631028	000509	垫片	Washer	2	2	2
39	206S16007	4835	螺母	Nut	1	1	1





型号	间距		针板	牙齿组件	压脚组件	上弯针	下弯针	连线弯针				
	GAUGE											
MACHINE TYPE /SPEC	NG	SW										
JK-788/796-5-36	3	4	20615001	20514008	20516012	20517014	20617005	20517012				
JK-788/796-5-38	3	4	20615001	20514009	20516012	20517014	20617005	20517012				
JK-788/796-5-48	3	4	20615002	20506001 20506002	20516016	20517014	20617005	20517012				
JK-788/796-5-70	5	5	20615003	20514010	20516014	20517014	20617005	20517012				
JK-788/796-5-86	5	6	20515009	20514011	20516015	20517015	20617005	20517021				
JK-788/796-6-355	3×2	4	20615004	20514008	20516017	20517019	20617005	20517012				



型号	间距		上刀	下刀	可移动护针架		全连线护针架		针夹	机针				
	GAUGE				UPPER KNIFE	LOWER KNIFE	OVERLOCK NEEDLE GUARD						CHAINSTITCH NEEDLE	
	NG	SW					前	后					前	后
MACHINE TYPE /SPEC	NG	SW			FRONT	REAR	FRONT	REAR	NEEDLE HOLDER	NEEDLE				
JK-788/796-5-36	3	4	20619002	20619004	20615017	20615012	20615015	20615016	20634003	20117013				
JK-788/796-5-38	3	4	20619002	20619004	20615017	20615012	20615015	20615016	20634003	20117013				
JK-788/796-5-48	3	4	20619002	20619004	20615017	20615012	20615015	20615016	20634003	20117013				
JK-788/796-5-70	5	5	20619002	20619004	20615013	20615012	20517013	20517016	20534003	20117013				
JK-788/796-5-86	5	6	20619002	20619004	20615013	20615012	20517013	20517016	20534003	20117014				
JK-788/796-6-355	3×2	4	20619002	20619004	20615013	20615012	20615015	20517016	20534001	20117012				



型号	间距		针板	牙齿组件	压脚组件	上弯针	下弯针					
	GAUGE											
MACHINE TYPE /SPEC	NG	SW										
JK-788/796-3-01	—	4	20515010	20514004	20516011	20517018	20617005					
JK-788/796-4-13	2	4	20615009	20514007	20516013	20517019	20617005					
JK-788/796-16S2	—	1.5	20615006	20514004	20516009	20517018	20617005					
JK-788/796-3-17	—	4	20615007	20514007	20516018	20517018	20617005					
JK-788/796-3-54A	—	4	20515007	20514004	20516018	20517018	20617005					
JK-788/796-4-55A	2	4	20615010	20514007	20516013	20517019	20617005					
JK-788/796-3-180	—	4	20515001	20514004	20516011	20517018	20617005					
JK-788/796-4-181	2	4	20515002	20501022	20516002	20517019	20617005					



型号	间距		上刀	下刀	护针架		针夹	机针						
	GAUGE				UPPER KNIFE	LOWER KNIFE							NEEDLE GUARD	
	NG	SW											前	后
MACHINE TYPE /SPEC	NG	SW			FRONT	REAR	NEEDLE HOLDER	NEEDLE						
JK-788/796-3-01	—	4	20619002	20619003	20517020	20615012	20634001	20117012						
JK-788/796-4-13H	2	4	20619002	20619003	20615011	20615012	20634002	20117011						
JK-788/796-16S2	—	1.5	20619002	20619003	20517020	20615012	20634001	20117012						
JK-788/796-3-17	—	4	20619002	20619003	20517020	20615012	20634001	20117012						
JK-788/796-3-54A	—	4	20619002	20619003	20517020	20615012	20634001	20117012						
JK-788/796-4-55A	2	4	20619002	20619003	20615011	20615012	20634002	20117011						
JK-788/796-3-180	—	4	20619002	20619003	20517020	20615012	20634001	20117012						
JK-788/796-4-181	2	4	20619002	20619003	20615011	20615012	20634002	20117011						