

MODEL : DLN-5410N-7/DLN-5410NH-7/DLN-5410NJ-7

List No : 0900-12

# PARTS LIST

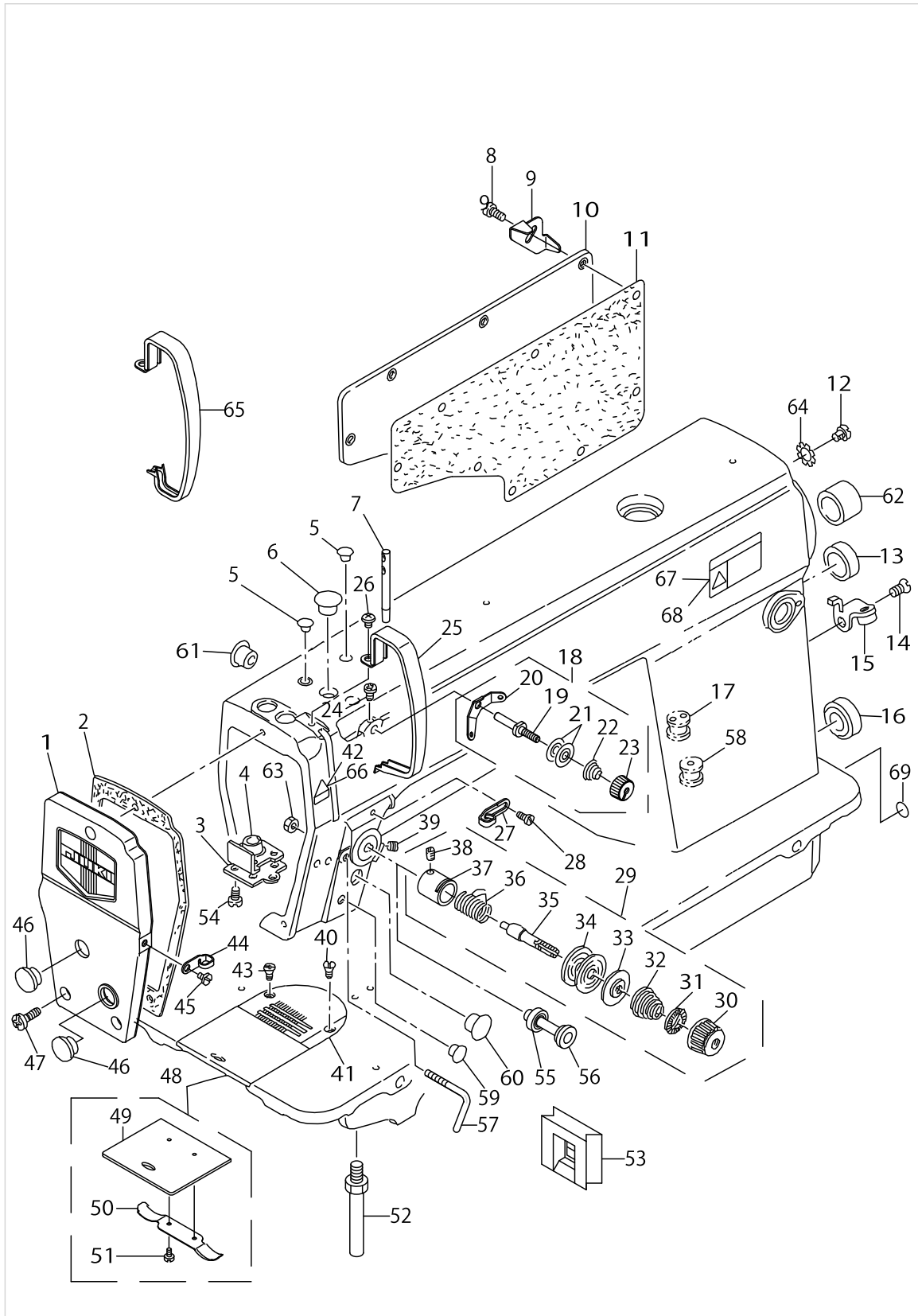
Published:09/10/2017

## CONTENTS

---

MACHINE FRAME & MISCELLANEOUS COVER COMPONENTS .....	1
MAIN SHAFT COMPONENTS .....	5
NEEDLE BAR, UPRIGHT SHAFT & HOOK DRIVING SHAFT COMPONENTS .....	7
HAND LIFTER COMPONENTS .....	9
FEED MECHANISM COMPONENTS.....	13
THREAD TRIMMER COMPONENTS .....	17
NEEDLE BAR FRAME COMPONENTS.....	21
AUTOMATIC REVERSE FEED MECHANISM COMPONENTS .....	23
WIPER COMPONENTS.....	25
OIL LUBRICATION COMPONENTS .....	27
OIL RESERVOIR COMPONENTS .....	29
BELT COVER & BOBBIN COMPONENTS.....	31
THREAD STAND COMPONENTS.....	33
EXCLUSIVE PARTS FOR DLN-5410NH-7.....	35
EXCLUSIVE PARTS FOR DLN-5410NJ-7.....	37
LIST FOR INFORMATION OF CHANGE (1).....	41
LIST FOR INFORMATION OF CHANGE (2).....	42
HOW TO MAKE USE OF THIS PARTS LIST .....	43

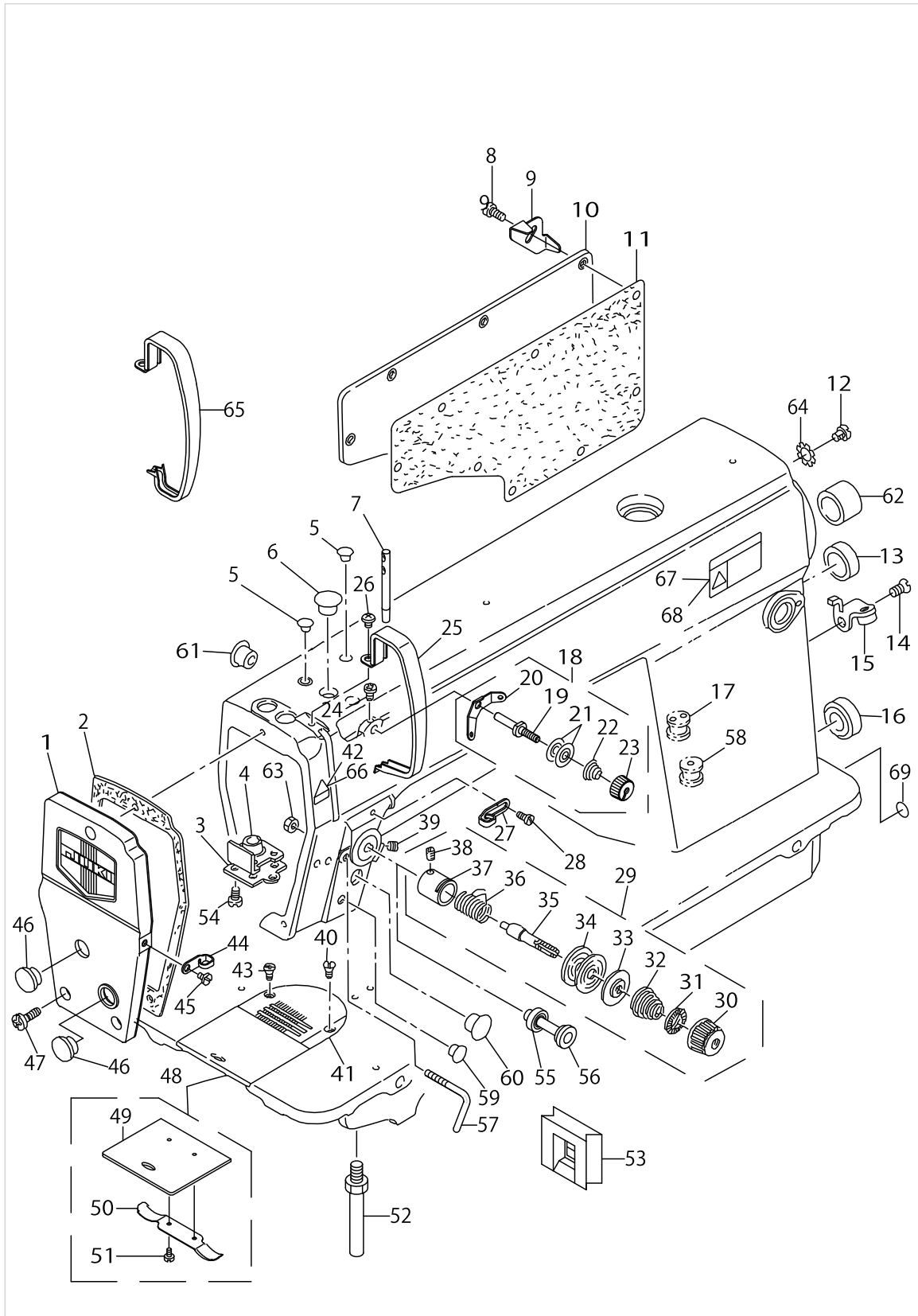
# MACHINE FRAME & MISCELLANEOUS COVER COMPONENTS



MACHINE FRAME & MISCELLANEOUS COVER COMPONENTS

No.	Parts No.	Parts name	Remarks	Level	Cons	Qty
1	11325750	FACE PLATE ASM.				1
2	11300506	FACE PLATE GASKET				1
3	11300407	PRESSER BAR SUPPORT				1
4	11300605	GASKET				1
5	TA0850604R0	RUBBER PLUG				2
6	TA1250705R0	RUBBER PLUG				1
7	22958300	NEEDLE THREAD GUIDE PIN				1
8	SS4120915SP	SCREW 3/16-28 L=9				8
9	22954705	CORD FIXING METAL FITTING	FOR DLN-5410N-7-0B,-WB			1
10	22900401	WINDOW PLATE				1
11	11003308	SIDE PLATE PACKING				1
12	SS4120615SP	SCREW 3/16-28 L=6				1
13	TA2000502R0	RUBBER PLUG				1
14	SS1120710SP	SCREW 3/16-28 L=6.7				1
15	11095254	LEVER STOPPER ASM.	FOR DLN-5410N-7-0B,-WB			1
16	TA2101002R0	RUBBER PLUG				1
17	40111022	MAGNET CORD RUBBER	FOR DLN-5410N-7-0B,-WB			1
18	22945463	THREAD TENSION ASM. NO.1				1
19	22945414	THREAD TENSION POST		*		1
20	22945604	THREAD TENSION GUIDE		*		1
21	22945802	THREAD TENSION DISK		*		2
22	22945505	THREAD TENSION SPRING		*		1
23	22945703	THREAD TENSION NUT		*		1
24	SS4120615SP	SCREW 3/16-28 L=6				1
25	22900609	THREAD TAKE-UP LEVER COVER				1
26	SS4120615SP	SCREW 3/16-28 L=6				1
27	22920508	ARM THREAD GUIDE A				1
28	22921001	SCREW				1
29	22945356	THREAD TENSION ASM.				1
30	22921308	THREAD TENSION NUT		*		1
31	22921407	ROTATION STOPPER		*		1
32	22921704	THREAD TENSION SPRING A		*		1
33	22921803	DISK STOPPER		*		1
34	22921506	THREAD TENSION DISK		*		2
35	22921209	THREAD TENSION POST		*		1
36	22921605	THREAD TAKE-UP SPRING		*		1
37	22945307	THREAD TENSION POST BASE		*		1
38	SS8090670SP	SCREW 9/64-40 L=5.5		*		1
39	SS8150710TP	SCREW 15/64-28 L=7				1
40	SS2110920TP	SCREW 11/64-40 L=8.5				1
41	11300308	THROAT PLATE				1
42	CM300200001	ATTENTION SEAL	FOR JE			1
43	SS2110915SP	SCREW 11/64-40 L=8.5				1
44	22920607	ARM THREAD GUIDE B				1
45	SS6110610TP	SCREW 11/64-40 L=6				1
46	TA1250406R0	RUBBER PLUG D=12.5 L=4				2
47	SS4121015SP	SCREW 3/16-28 L=10				3

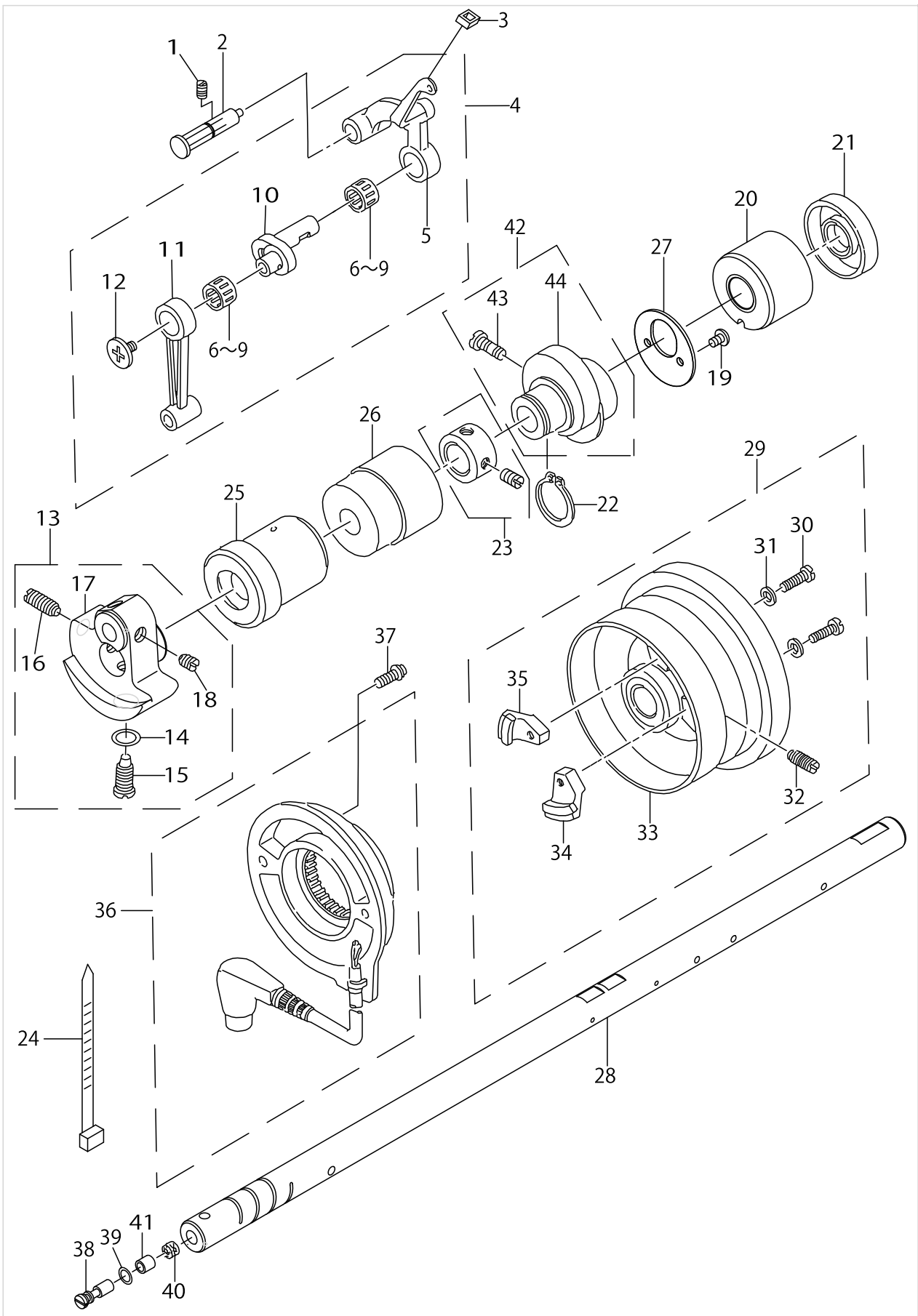
MACHINE FRAME & MISCELLANEOUS COVER COMPONENTS



MACHINE FRAME & MISCELLANEOUS COVER COMPONENTS

No.	Parts No.	Parts name	Remarks	Level	Cons	Qty
48	22901250	SLIDE PLATE ASM.				1
49	22901201	SLIDE PLATE		*		1
50	22901300	SLIDE PLATE SPRING		*		1
51	SS6060210SP	SCREW 3/32-56 L=1.9		*		2
52	22901003	BED SCREW STUD				4
53	22935407	BED OIL SHIELD RUBBER				1
54	SS1120710SP	SCREW 3/16-28 L=6.5				4
55	B31334150A0	TENSION RELEASE PIN CAP ASM.				1
56	B3136415000	CAP RING				1
57	22972608	ARM THREAD GUIDE C				1
58	11030202	RUBBER BUSHING	FOR DLN-5410N-7-00,-W0			1
59	TA0850604R0	RUBBER PLUG				1
60	TA1250504R0	RUBBER PLUG				1
61	TA1250504R0	RUBBER PLUG				1
62	TA2101002R0	RUBBER PLUG				1
63	NS6110310SP	NUT 11/64-40				1
64	WT0530002KS	TOOTHED WASHER D=5.3				1
65	11415205	THREAD TAKE-UP LEVER COVER(JE)	FOR JE			1
66	CM3002000B1	LABEL(16)	FOR USE IN JAPAN			1
67	CM300200101	SAFETY LABEL 1(SMALL).	FOR USE IN JAPAN			1
68	CM3002001A1	SAFETY LABEL 3(SMALL).	EXCEPT JE & USE IN JAPAN			1
69	22901805	GROUND MARK				1

MAIN SHAFT COMPONENTS

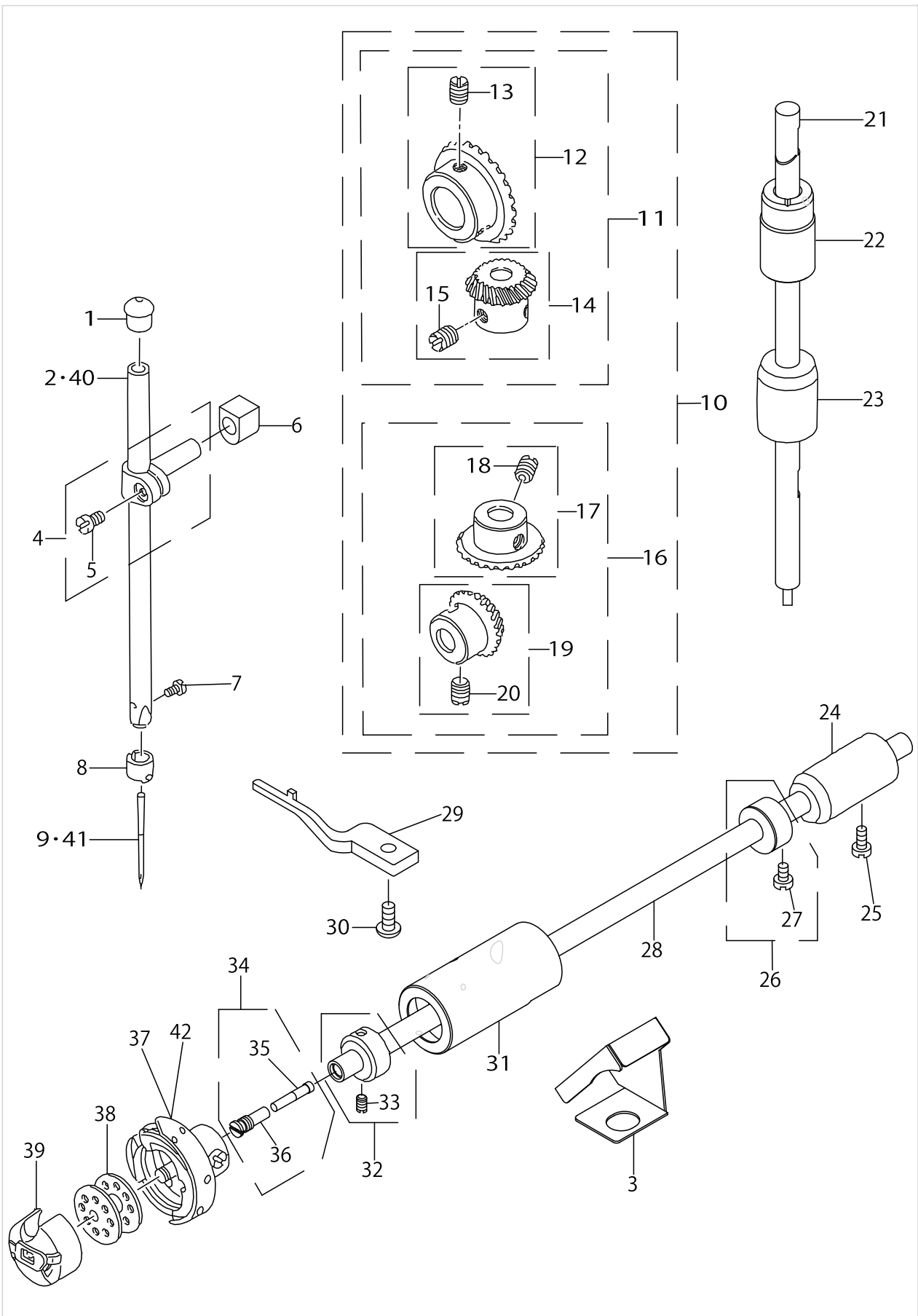


MAIN SHAFT COMPONENTS

No.	Parts No.	Parts name	Remarks	Level	Cons	Qty
1	SS8151150TP	SCREW 15/64-28 L=10.5				1
2	11017357	THREAD TAKE-UP CRANK SHAFT ASM.				1
3	22919203	OIL PROTECTING RUBBER				1
4	22918072	THREAD TAKE-UP LEVER COMPL.				1
5	22918064	THREAD TAKE-UP LEVER ASM.		*		1
6	22918403	NEEDLE BEARING A	SELECTIVE PARTS	*		2
7	22918502	NEEDLE BEARING B	SELECTIVE PARTS	*		2
8	22918601	NEEDLE BEARING C	SELECTIVE PARTS	*		2
9	22918700	NEEDLE BEARING D	SELECTIVE PARTS	*		2
10	22918106	NEEDLE BAR CRANK		*		1
11	22906606	NEEDLE BAR CRANK ROD		*		1
12	22918304	LEFT SCREW		*		1
13	40106606	COUNTER_WEIGHT_ASM.				1
14	RO044240100	RUBBER RING		*		1
15	SS7681650TP	SCREW 9/32-28 L=16		*		1
16	SS8681650TP	SCREW 9/32-28 L=16		*		1
17	40106607	COUNTER_WEIGHT		*		1
18	SS8660610TP	SCREW 1/4-40 L=6		*		2
19	SS4090615SP	SCREW 9/64-40 L=6				2
20	11002409	MAIN SHAFT BUSHING REAR				1
21	40105231	OIL SEAL				1
22	RC1850001KP	SNAP RING 18.5				1
23	22904155	MAIN SHAFT THRUST COLLAR ASM.				1
24	EA9500B0100	CABLE BAND				1
25	11300902	BUSHING FRONT				1
26	11202306	BUSHING INTERMEDIATE				1
27	22910103	THRUST COLLAR				1
28	22903009	MAIN SHAFT				1
29	11071461	HAND WHEEL ASM.				1
30	SS6111210SP	SCREW 11/64-40 L=12		*		2
31	WP0450801SD	WASHER 4.5X10X0.8		*		2
32	SS8151550SP	SCREW 15/64-28 L=15		*		2
33	11071453	HAND WHEEL ASM.		*		1
34	M40071100AA	MAGNET FITTING BASE A ASM.		*		1
35	M40071100AB	MAGNET FITTING BASE B ASM.		*		1
36	22937965	DYNAMO STATOR				1
37	SL4051001MZ	SCREW M5 L=9.6				2
38	B1213552000A	OIL ADJUSTING PIN				1
39	RO029180100	RUBBER RING				1
40	11002904	ROLLER FELT				1
41	B1215552000	OIL ADJUSTING COLLAR				1
42	11302353	FEED DRIVE ECCENTRIC CAM ASM.				1
43	SS6661110SP	SCREW 1/4-40 L=11		*		2
44	11302304	FEED DRIVE ECCENTRIC CAM		*		1



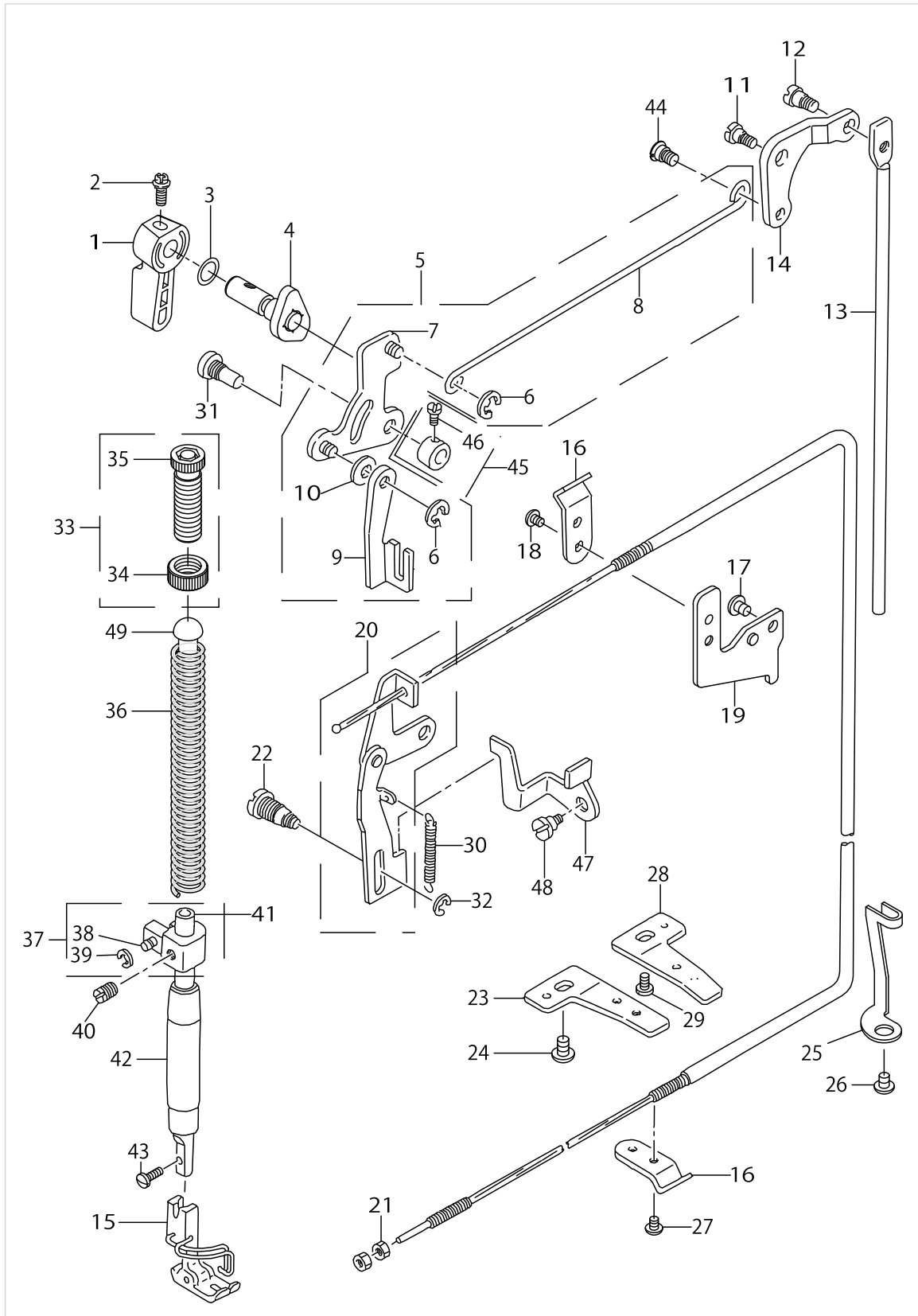
NEEDLE BAR, UPRIGHT SHAFT & HOOK DRIVING SHAFT COMPONENTS



NEEDLE BAR, UPRIGHT SHAFT & HOOK DRIVING SHAFT COMPONENTS

No.	Parts No.	Parts name	Remarks	Level	Cons	Qty
1	TA1250804R0	RUBBER PLUG				1
2	11301009	NEEDLE BAR A				1
3	22942601	OIL SHIELD				1
4	22906457	NEEDLE BAR HOLDER ASM.				1
5	SS6090670TP	SCREW 9/64-40 L=6		*		1
6	B1414226000	SLIDE BLOCK				1
7	SS7080510TP	SCREW 1/8-44 L=4.5				1
8	B1418552A00	NEEDLE THREAD GUIDE A				1
9	MDB100B1400	NEEDLE DBX1 #14				1
10	B13061550C0	GEAR & PINION ASM.				1
11	B13061550B0	GEAR & PINION ASM. UPPER		*		1
12	B13050120A0	GEAR ASM.		*		1
13	SS8660810TP	SCREW 1/4-40 L=8		*		2
14	B13061550A0	PINION ASM.		*		1
15	SS8660810TP	SCREW 1/4-40 L=8		*		2
16	B13071550B0	GEAR & PINION ASM. LOWER		*		1
17	B13071550A0	GEAR ASM. LARGE		*		1
18	SS8660810TP	SCREW 1/4-40 L=8		*		2
19	B13081550A0	PINION ASM.		*		1
20	SS8660810TP	SCREW 1/4-40 L=8		*		2
21	22905004	UPRIGHT SHAFT				1
22	22905103	UPRIGHT SHAFT BUSHING UPPER				1
23	11004207	UPRIGHT SHAFT BUSHING LOWER				1
24	22916308	HOOK DRIVING SHAFT BUSH REAR				1
25	SS4120915SP	SCREW 3/16-28 L=9				1
26	22917157	THRUST COLLAR ASM. REAR				1
27	SS6110420TP	SCREW 11/64-40 L=4.8		*		2
28	22916001	HOOK DRIVING SHAFT				1
29	11038809	BOBBIN CASE HOLDER				1
30	SS4110915TP	SCREW 11/64-40 L=9				1
31	22916100	HOOK DRIVING SHAFT BUSH FRONT				1
32	22917058	THRUST COLLAR ASM. FRONT				1
33	SS8110410TP	SCREW 11/64-40 L=3.5		*		2
34	22916555	OIL SEAL SCREW ASM.				1
35	11015906	OIL WICK		*		1
36	22916506	SET SCREW		*		1
37	11141355	HOOK ASM.				1
38	22932909	BOBBIN				1
39	11038759	BOBBIN CASE ASM.				1
40	11301108	NEEDLE BAR B	FOR JE			1
41	MC200500900	NEEDLE 134 90	FOR JE			1
42	11038650	HOOK ASM.	FOR JH,USE IN JAPAN			1

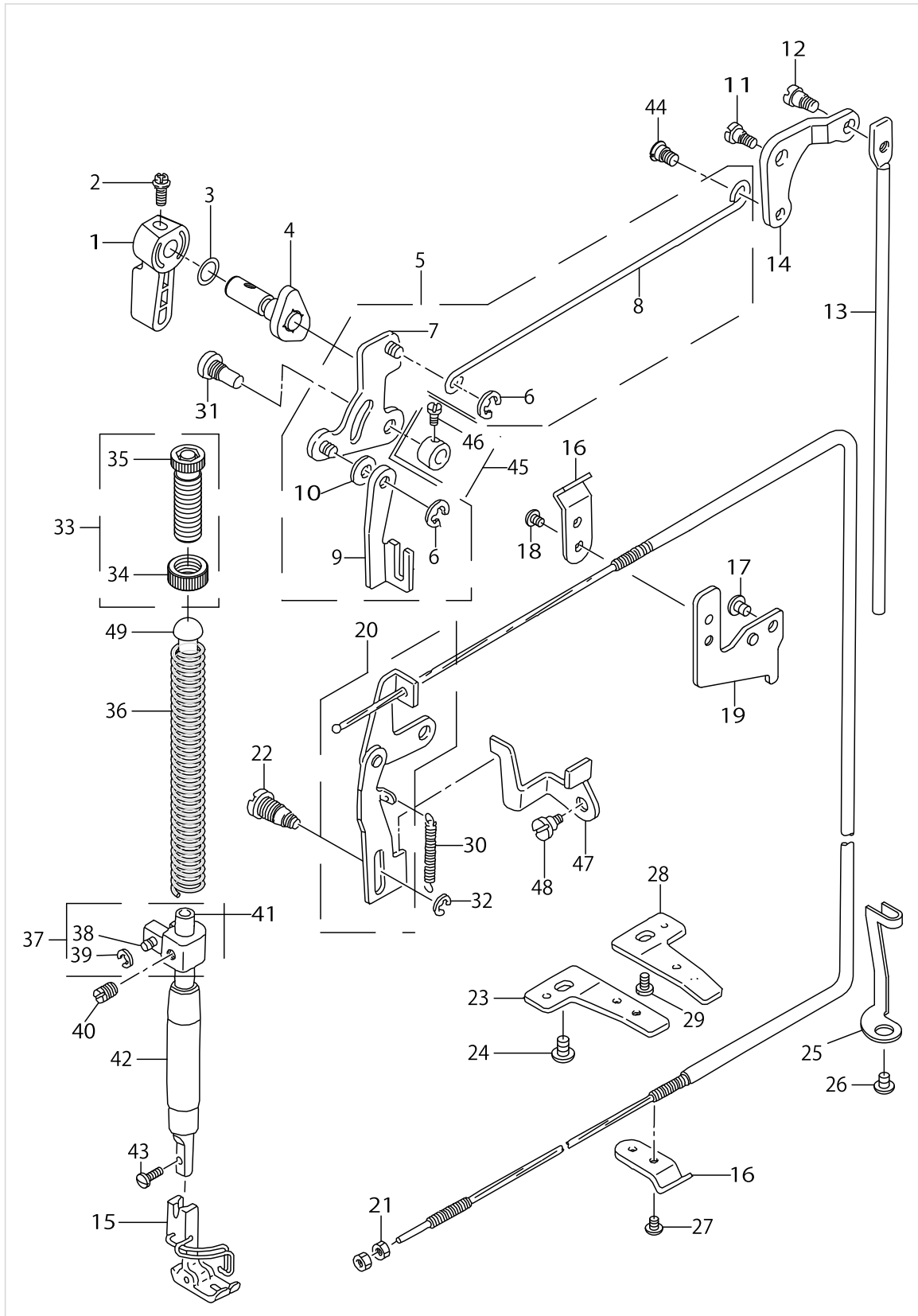
HAND LIFTER COMPONENTS



HAND LIFTER COMPONENTS

No.	Parts No.	Parts name	Remarks	Level	Cons	Qty
1	22907802	HAND LIFTER				1
2	B1521555000	SCREW				1
3	RO037180100	RUBBER RING				1
4	22908552	HAND LIFTER CAM ASM.				1
5	11301652	LIFTING LEVER ASM.				1
6	RE0500000K0	E-RING		*		2
7	22908156	LIFTING LINK ASM.		*		1
8	22908305	KNEE LIFTER SIDE ROD		*		1
9	11301603	LIFTING LEVER		*		1
10	WP0650876SD	WASHER 6.5X13X0.8		*		1
11	SD0720331SP	HINGE SCREW D=7.24 H=3.3				1
12	SD0600322SD	HINGE SCREW D=6 H=3.2				1
13	11205408	CONNECTING ROD				1
14	11205309	LIFTING LEVER LINK				1
15	D1524415BBC	PRESSER FOOT ASM.				1
16	22944508	WIRE PRESSER A				2
17	SS4120615SP	SCREW 3/16-28 L=6				1
18	SS4110515SP	SCREW 11/64-40 L=5				1
19	22944607	WIRE PRESSER BASE UPPER				1
20	11312055	WIRE CABLE ASM.				1
21	NS6620310SP	NUT 3/16-32				2
22	11306107	TENSION RELEASE PLATE SHAFT				1
23	22944706	WIRE PRESSER BASE LOWER	FOR DLN-5410N-7-00			1
24	SS4150915SP	SCREW 15/64-28 L=9	FOR DLN-5410N-7-00			1
25	11306206	WIRE CABLE HOLDER				1
26	SS4120615SP	SCREW 3/16-28 L=6				1
27	SS4110515SP	SCREW 11/64-40 L=5				1
28	22962807	WIRE PRESSER PLATE B	FOR DLN-5410N-7-0B,-WB			1
29	SS7110740TP	SCREW 11/64-40 L=7	FOR DLN-5410N-7-0B,-WB			1
30	11305901	SPRING				1
31	11301702	LINK SHAFT				1
32	RE0300000KP	E-RING				1
33	22907554	PRESSER SPRING REG NUT ASM.				1
34	22907604	PRESSER SPRING REGULATOR NUT		*		1
35	22907505	PRESSER SPRING REGULATOR		*		1
36	22907406	PRESSER SPRING				1
37	11301355	NEEDLE BAR GUIDE BRACKET ASM.				1
38	11301405	PIN		*		1
39	RE0300000K0	E-RING 3		*		2
40	SS8660610TP	SCREW 1/4-40 L=6				1
41	40017805	PRESSER BAR				1
42	40060989	PRESSER BAR BUSHING LOWER				1
43	SS7091110TP	SCREW 9/64-40 L=10.5				1
44	22908909	HINGE SCREW				1
45	CS064061ASP	THRUST COLLAR ASM.				1
46	SS7090620TP	SCREW 9/64-40 L=6.1		*		1
47	11305703	TENSION RELEASE LINK A				1

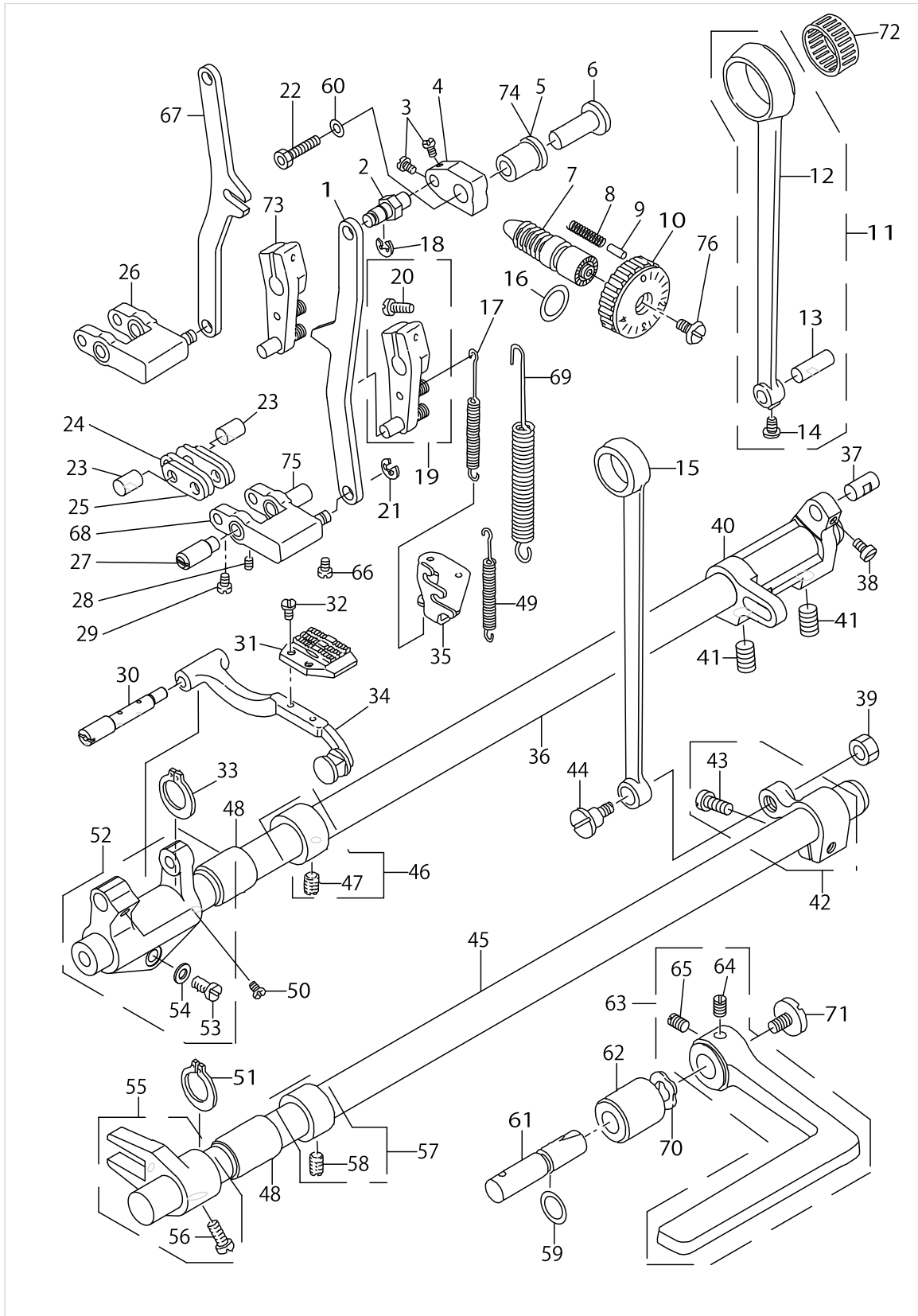
# HAND LIFTER COMPONENTS



## HAND LIFTER COMPONENTS

No.	Parts No.	Parts name	Remarks	Level	Cons	Qty
48	SD0640261SP	HINGE SCREW D=3.65 H=2.6				1
49	22907703	PRESSER GUIDE BAR				1

FEED MECHANISM COMPONENTS

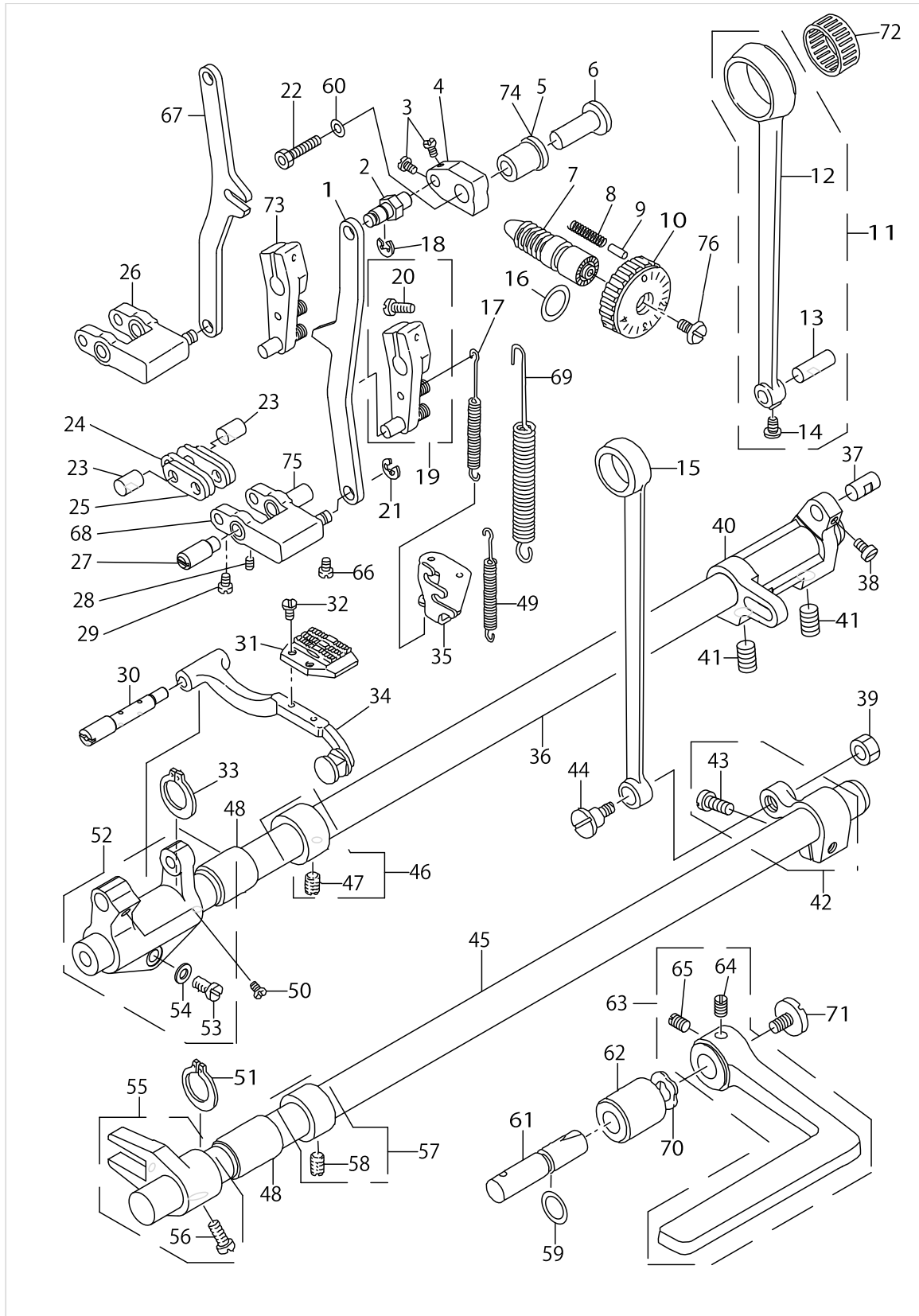


FEED MECHANISM COMPONENTS

No.	Parts No.	Parts name	Remarks	Level	Cons	Qty
1	11314507	FEED ADJUST ROD	FOR DLN-5410N-7-0B,-WB			1
2	22971204	FEED REGULATOR BASE PIN				1
3	SS6090560TP	SCREW 9/64-40 L=4.5				2
4	11303328	FEED REGULATOR BUSHING				1
5	11009800	FEED REGULATOR BUSHING	FOR DLN-5410N-7-0B,-WB			1
6	11385127	FEED REGULATOR SHAFT				1
7	22911804	FEED REGULATOR SCREW				1
8	22912109	FEED REGULATOR PIN SPRING				1
9	22912000	FEED REGULATOR PIN				1
10	11326204	FEED DIAL				1
11	40081220	ROCKERSHAFTCONNECTINGRODASM.				1
12	11302411	ROCKER SHAFT CONNECTING ROD		*		1
13	22911101	WALKING FOOT PIN C		*		1
14	SS6090620TP	SCREW		*		1
15	22915003	CONNECTING ROD				1
16	RO092270200	RUBBER RING				1
17	11302700	SPRING	FOR DLN-5410N-7-0B,-WB			1
18	RE0500000K0	E-RING				1
19	11302254	FEED REVERSE ARM ASM.	FOR DLN-5410N-7-00			1
20	SS7121410TP	SCREW 3/16-28 L=14		*		1
21	RE0500000K0	E-RING				1
22	SS9661120CP	SCREW 1/4-40 L=10.5				1
23	22910905	WALKING FOOT PIN A				2
24	22910707	CONNECTING LINK B				2
25	22910608	CONNECTING LINK A				2
26	11303161	FEED ADJUST LINK ASM.	FOR DLN-5410N-7-00			1
27	22910806	ADJUST LINK FULCRUM SHAFT A				1
28	SS8150710TP	SCREW 15/64-28 L=7				1
29	SS6090620TP	SCREW				2
30	22940803	FEED BAR SHAFT				1
31	D1609415B00	FEED DOG				1
32	SS4080620TP	SCREW 1/8-44 L=6				2
33	RC0150001KP	RETAINING RING 13.8				1
34	22940753	FEED BAR ASM.				1
35	22970602	FEED SPRING HOOK				1
36	22912901	FEED ROCKER SHAFT				1
37	22911002	WALKING FOOT PIN B				1
38	SS6090620TP	SCREW				1
39	NS6680410SP	NUT 9/32-28				1
40	11302502	FEED ROCKER SHAFT CRANK				1
41	SS8681130SP	SCREW 9/32-28 L=11				2
42	22915151	FEED ARM ASM.				1
43	SS7121610SP	SCREW 3/16-28 L=15.5		*		1
44	SD1000801SH	HINGE SCREW D=10 H=8				1
45	22915201	FEED DRIVING SHAFT				1
46	CS147121ASH	THRUST COLLAR ASM.D=14.72 W=12				1
47	SS8660610TP	SCREW 1/4-40 L=6		*		2



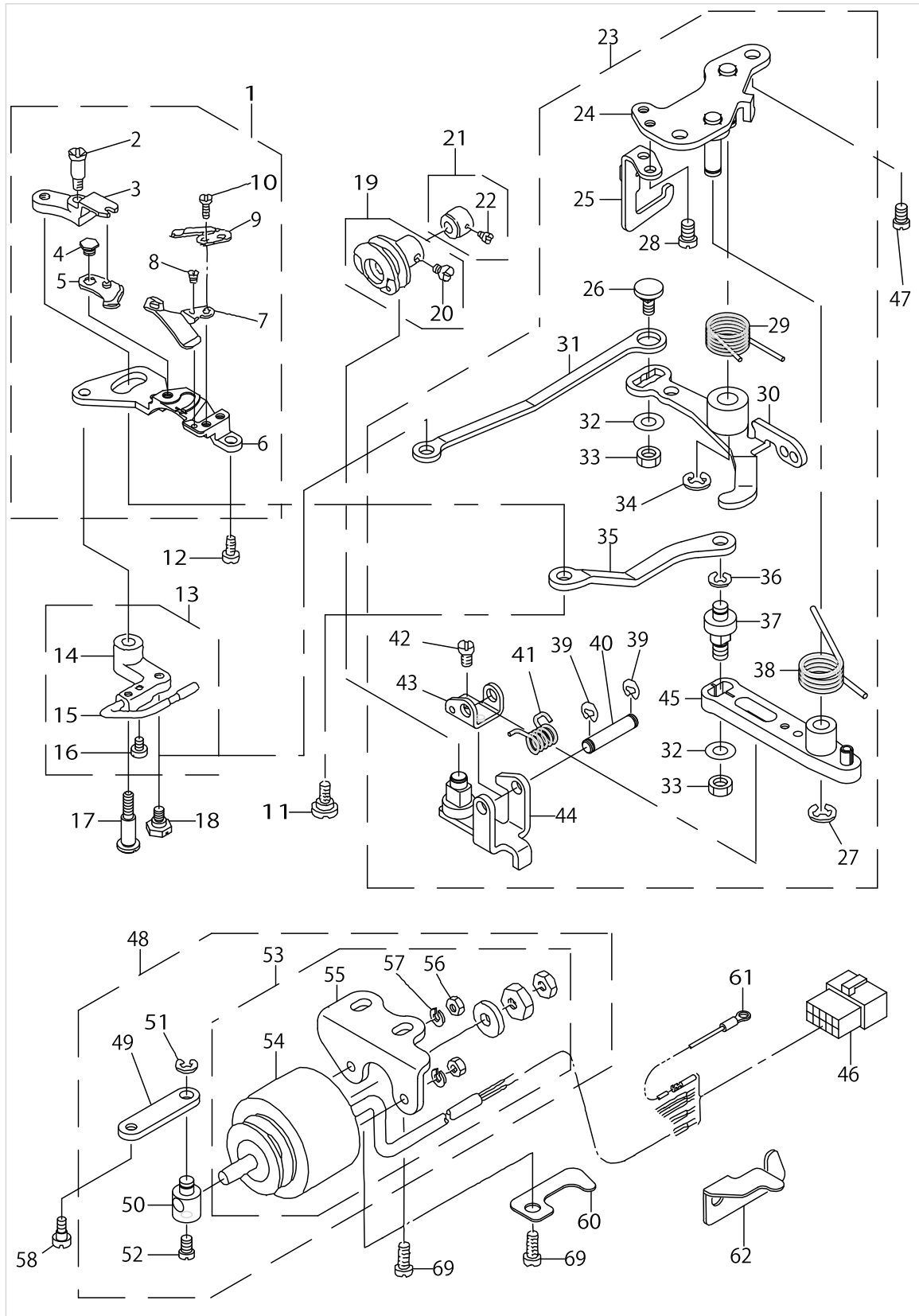
FEED MECHANISM COMPONENTS



FEED MECHANISM COMPONENTS

No.	Parts No.	Parts name	Remarks	Level	Cons	Qty
48	22913008	FEED ROCKER SHAFT BUSHING				2
49	11305000	SPRING	FOR DLN-5410N-7-00			1
50	SS7110740TP	SCREW 11/64-40 L=7				1
51	RC0150001KP	RETAINING RING 13.8				1
52	22940654	FEED ROCKER ASM.				1
53	SS7121410TP	SCREW 3/16-28 L=14		*		1
54	WP0480856SP	WASHER 4.8X8.4X0.8		*		1
55	22915359	DRIVING SHAFT CRANK ASM.				1
56	SS7111120SP	SCREW 11/64-40 L=10.5		*		1
57	CS147121ASH	THRUST COLLAR ASM. D=14.72 W=12				1
58	SS8660610TP	SCREW 1/4-40 L=6		*		2
59	RO078190100	RUBBER RING				1
60	WP0702026SP	WASHER 7X15X2				1
61	22967202	FEED LEVER SHAFT				1
62	22912802	FEED LEVER SHAFT BUSHING				1
63	22912752	FEED LEVER ASM.				1
64	SM8061050TP	SCREW		*		1
65	SM8061010TP	SCREW M6 L=10		*		1
66	SS6151220SP	SCREW 15/64-28 L=11.5				1
67	22971105	FEED REGULATOR ROD	FOR DLN-5410N-7-00			1
68	11314267	FEED ADJUST LINK ASM.	FOR DLN-5410N-7-0B,-WB			1
69	11302619	SPRING				1
70	WZ1250300K0	WAVED WASHER 12.5X17X0.3	FOR DLN-5410N-7-00			1
71	SS7620750SP	SCREW 3/16-32 L=6.5				1
72	B1636581C00	NEEDLE BEARING	SELECTIVE PARTS			1
73	11311057	FEED REVERSE ARM ASM.	FOR DLN-5410N-7-0B,-WB			1
74	22911705	FEED REGULATOR BUSHING	FOR DLN-5410N-7-00			1
75	40010395	ADJUSTING LINK FULCRUM SHAFT B	FOR DLN-5410N-7-0B,-WB			1
76	SS6121860SP	SCREW 3/16-28 L=18				1

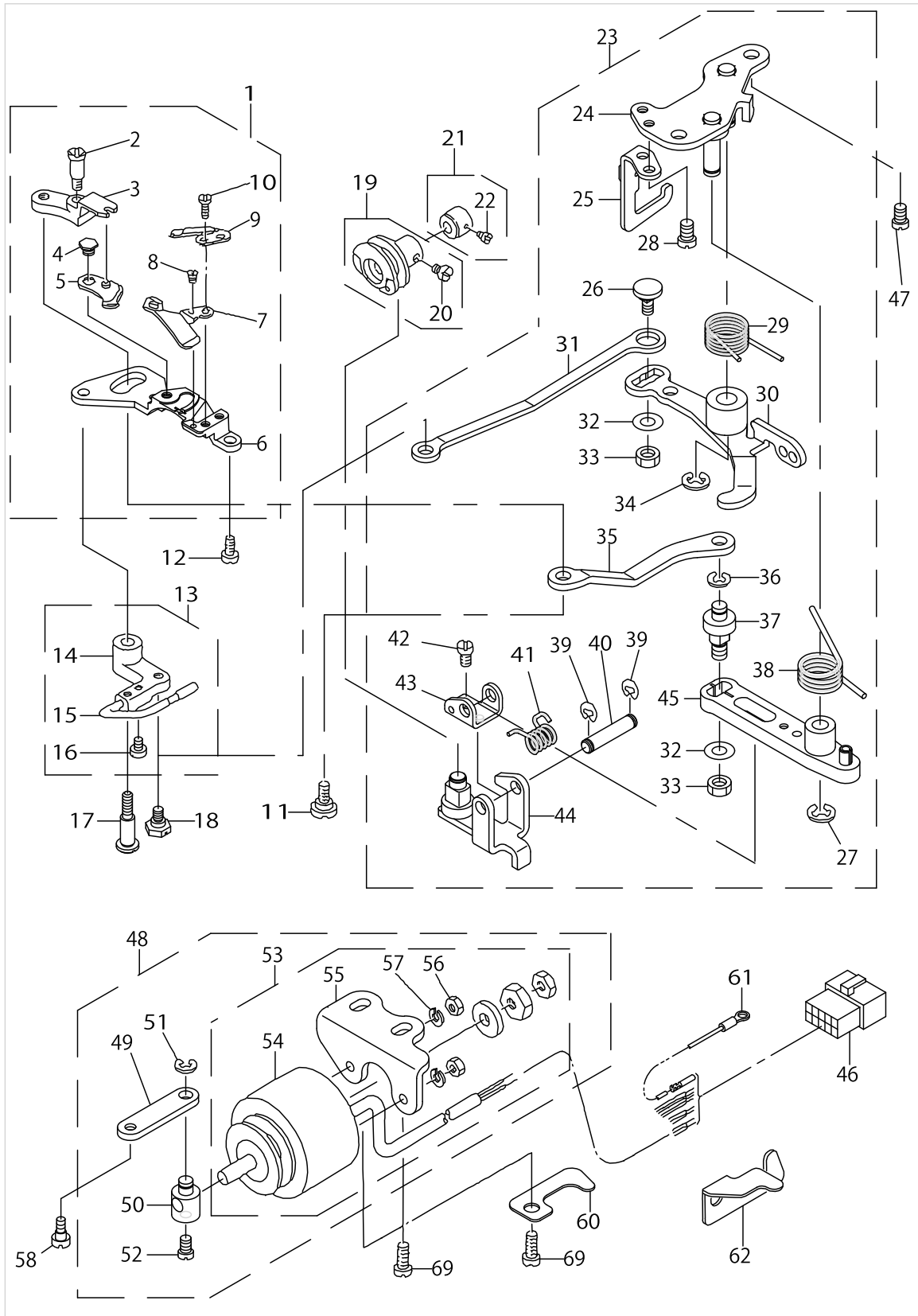
# THREAD TRIMMER COMPONENTS



THREAD TRIMMER COMPONENTS

No.	Parts No.	Parts name	Remarks	Level	Cons	Qty
1	11313251	KNIFE UNIT				1
2	SD0460703TP	HINGE SCREW D=4.6 H=7		*		1
3	11232105	FORKED BASE FOR KNIFE		*		1
4	SD0500095TH	HINGE SCREW D=5 H=0.85		*		1
5	11313053	MOVING KNIFE ASM.		*		1
6	22947907	KNIFE MOUNTING BASE		*		1
7	11313103	THREAD GUIDE FOR KNIFE		*		1
8	SS2060210SP	SCREW 3/32-56 L=2.3		*		1
9	D2406555D0H	COUNTER KNIFE		*		1
10	SS4080620TP	SCREW 1/8-44 L=6		*		2
11	SD0640631TP	HINGE SCREW D=6.35 H=6.3				1
12	SS4110715SP	SCREW 11/64-40 L=7				1
13	22950257	PICKER ARM ASM.				1
14	22950208	PICKER ARM		*		1
15	22950356	HOOK THREAD PRESSER ASM.		*		1
16	SS6090510TP	SCREW 9/64-40 L=5.0		*		2
17	SD0641451SP	HINGE SCREW D=6.35 H=14.5				1
18	SD0630275SP	HINGE SCREW D=6.35 H=2.7				1
19	22950851	THREAD TRIMMER CAM ASM.				1
20	SS6660610TP	SCREW 1/4-40 L=6		*		2
21	22950950	CAM COLLAR ASM.				1
22	SS8110520TP	SCREW 11/64-40 L=4.5		*		1
23	22949762	THREAD TRIMMER DRIVING UNIT				1
24	22949754	BASE PLATE ASM.		*		1
25	22950703	DRIVING ARM STOPPER		*		1
26	22950000	PICKER LINK PIN		*		1
27	RE0600000K0	E-RING 6		*		1
28	SS4110715SP	SCREW 11/64-40 L=7		*		2
29	22949408	CLUTCH SPRING		*		1
30	40087245	CLUTCH PLATE ASM.		*		1
31	22950109	PICKER LINK		*		1
32	WP0621016SH	WASHER		*		1
33	NS6150430SP	NUT 15/64-28		*		2
34	RE0600000K0	E-RING 6		*		1
35	22948301	MOVING KNIFE LINK		*		1
36	RE0500000K0	E-RING		*		1
37	22948400	MOVING KNIFE LINK PIN		*		1
38	22949309	KNIFE RETURN SPRING B		*		1
39	RE0400000K0	E-RING 4		*		2
40	22949101	ROLLER FULCRUM SHAFT		*		1
41	22949200	ROLLER RETURN SPRING		*		1
42	SS7090610SP	SCREW 9/64-40 L=6		*		1
43	22949002	ROLLER ARM SEAT		*		1
44	11040953	ROLLER ARM ASM.		*		1
45	11040854	KNIFE DRIVING ARM ASM.		*		1
46	HK034610140	HOUSING 14P				1
47	SS4150915SP	SCREW 15/64-28 L=9				2

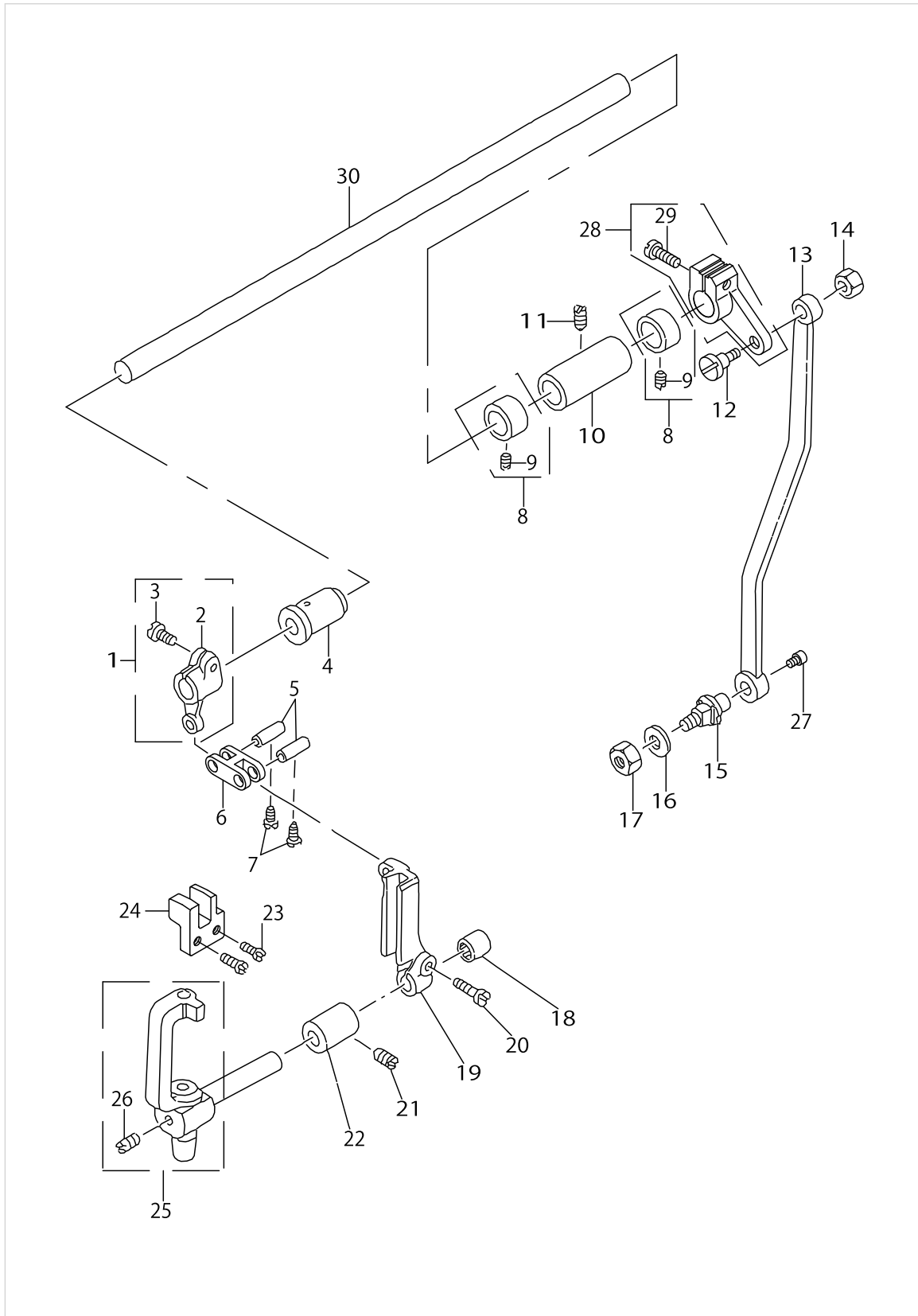
# THREAD TRIMMER COMPONENTS



THREAD TRIMMER COMPONENTS

No.	Parts No.	Parts name	Remarks	Level	Cons	Qty
48	22951164	SOLENOID UNIT				1
49	22949903	CLUTCH LINK		*		1
50	22951008	SOLENOID PIN		*		1
51	RE0500000K0	E-RING		*		1
52	SS6110710TP	SCREW 11/64-40 L=6.5		*		1
53	40106930	THREAD TRIMMER SOLENOID ASM.		*		1
54	40106931	THREAD TRIMMER SOLENOID		*		1
55	22951404	SOLENOID BASE		*		1
56	NM6040001SE	NUT M4		*		2
57	WS0410002KR	SPRING WASHER M4		*		2
58	SD0600361SP	HINGE SCREW D=6 H=3.6				1
59	SS4151215SP	SCREW 15/64-28 L=12				2
60	22924807	PIPE HOLDER LOWER	FOR DLN-5410N-7-00			1
61	22951552	GROUND WIRE ASM.				1
62	22962708	TUBE HOLDER LOWER	FOR DLN-5410N-7-0B,-WB			1

NEEDLE BAR FRAME COMPONENTS

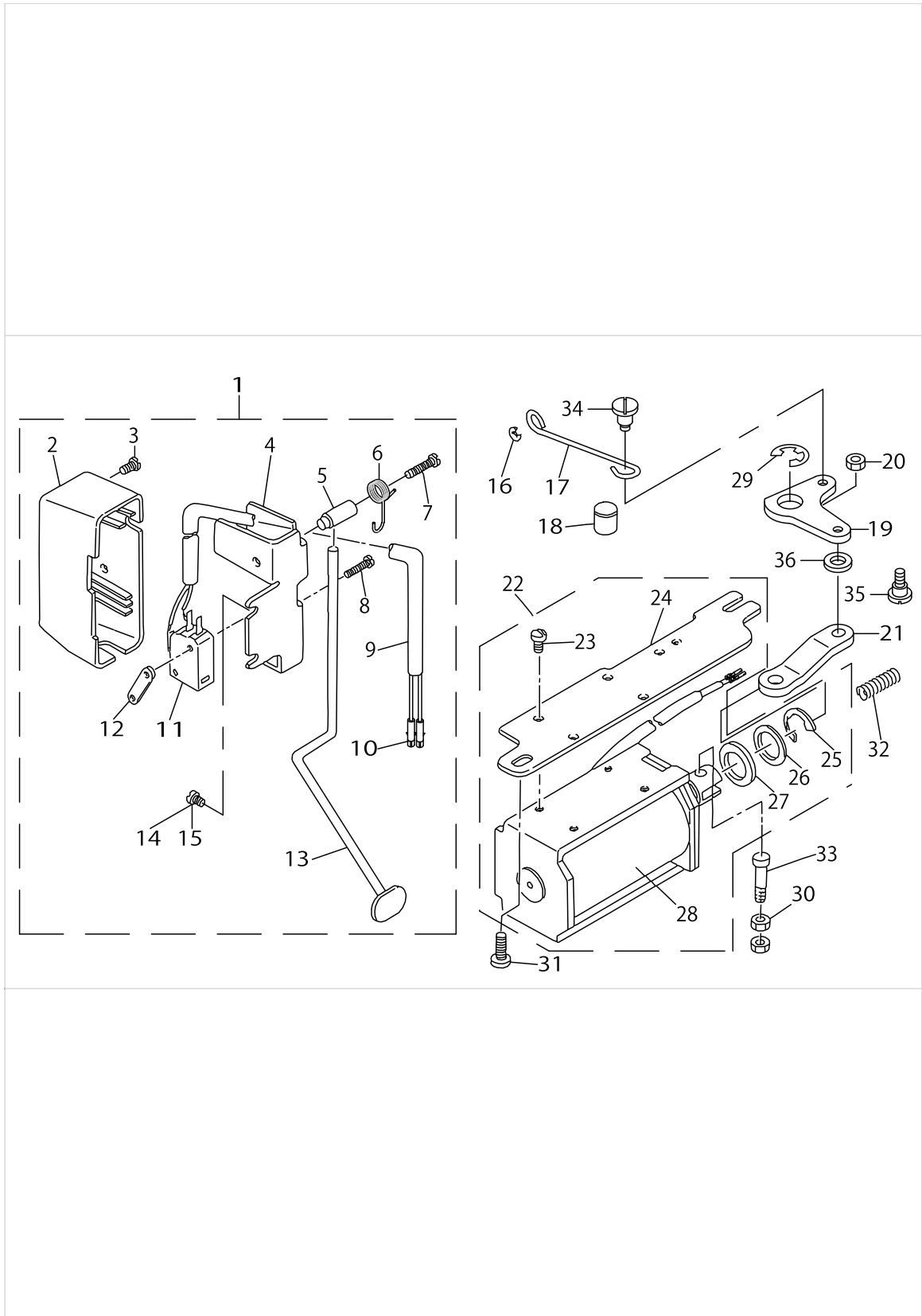


NEEDLE BAR FRAME COMPONENTS

No.	Parts No.	Parts name	Remarks	Level	Cons	Qty
1	11304052	SHAFT ARM ASM. (FRONT)				1
2	11304003	DRIVING CRANK FRONT		*		1
3	SS6121220TP	SCREW 3/16-28 L=11.5		*		1
4	11211000	ROCK SHAFT BUSHING FRONT				1
5	B1412352B00	NEEDLE BAR LINK PIN	SELECTIVE PARTS			2
6	B2906415000	DRIVING LINK				1
7	SS6090660TP	SCREW 9/64-40 L=6				2
8	CS120101BSH	THRUST COLLAR ASM.				2
9	SS8660410SP	SCREW 1/4-40 L=4.2		*		4
10	11210903	ROCK SHAFT BUSHING REAR				1
11	SS8120740SP	SCREW 3/16-28 L=7				1
12	SD0790501SP	HINGE SCREW D=7.94 H=5				1
13	11304201	CONNECTING ROD				1
14	NS6150310SP	NUT 15/64-28				1
15	11304300	CONNECTING ROD SHAFT				1
16	WP0621016SD	WASHER 6.2X13X1				1
17	NS6150430SP	NUT 15/64-28				1
18	SB309000400	BEARING				1
19	11303807	SLIDE BLOCK GUIDE				1
20	SS6121610SP	SCREW 3/16-28 L=15.5				1
21	SS8120740SP	SCREW 3/16-28 L=7				1
22	11214509	BUSHING				1
23	SS6090810TP	SCREW 9/64-40 L=7.5				2
24	11303906	NEEDLE BAR FRAME GUIDE				1
25	11303567	NEEDLE ROD ROCKING BASE ASM.				1
26	SS8110310SP	SCREW 11/64-40 L=2.8		*		1
27	SS6110640SP	SCREW 11/64-40 L=6				1
28	11304151	SHAFT ARM ASM. (REAR)				1
29	SS7121410SP	SCREW 3/16-28 L=14		*		1
30	11304409	CONNECTING SHAFT				1



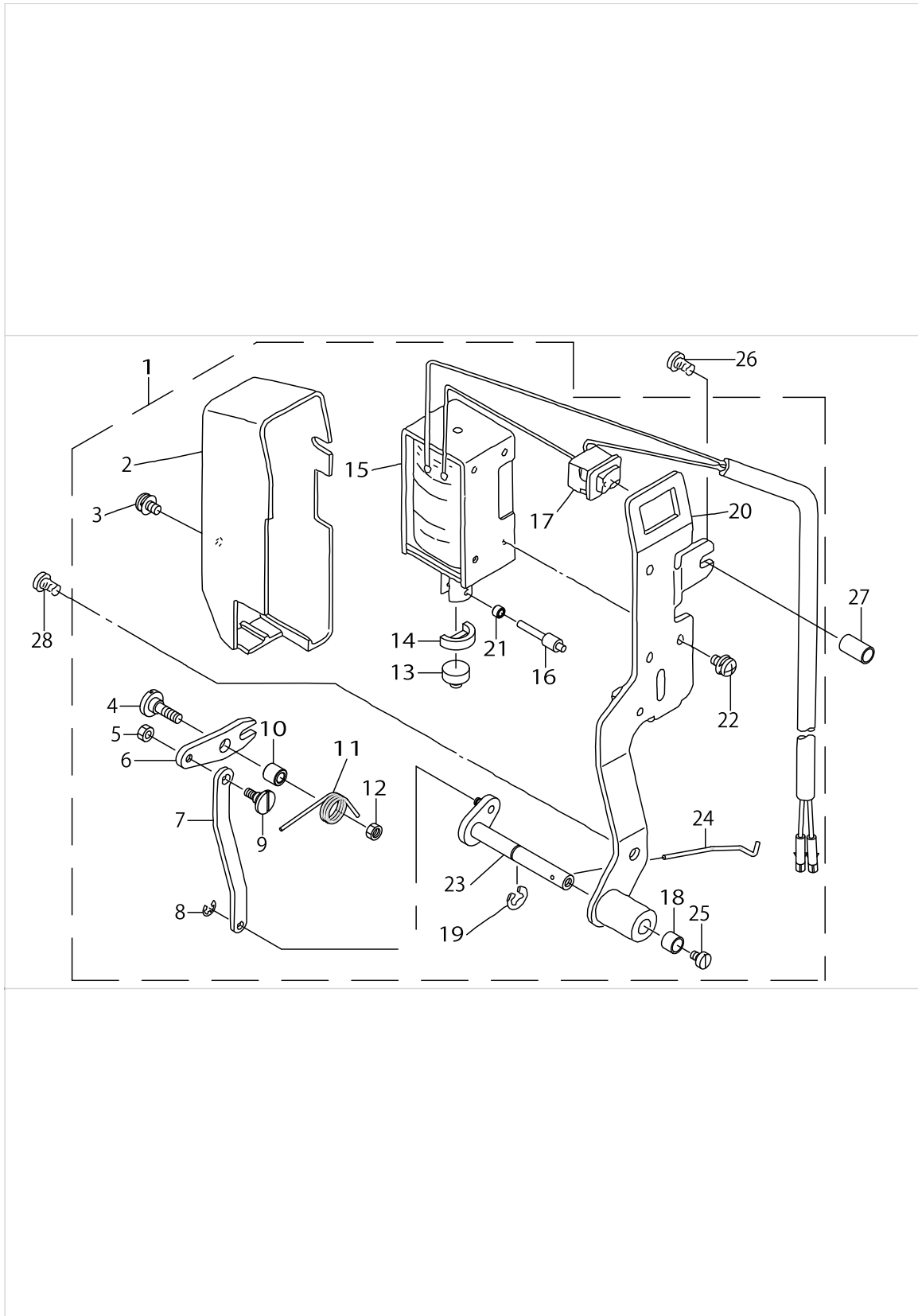
AUTOMATIC REVERSE FEED MECHANISM COMPONENTS



AUTOMATIC REVERSE FEED MECHANISM COMPONENTS

No.	Parts No.	Parts name	Remarks	Level	Cons	Qty
1	11327053	BACKWARD FEED SWITCH ASM.				1
2	22954606	REVERSE FEED SWITCH COVER		*		1
3	SM4040655SP	SCREW M4 L=6		*		1
4	22954101	REVERSE FEED SWITCH BASE		*		1
5	22954200	REVERSE FEED SWITCH SHAFT		*		1
6	22954309	REVERSE FEED SWITCH SPRING		*		1
7	SM4041655SP	SCREW M4 L=16		*		1
8	SM4031501SC	SCREW M3 L=15		*		2
9	HW500070000	2-CORE CABTYRE CORD		*		1.31
10	HK03464000B	PIN CONTACT		*		2
11	HA001900000	MICROSWITCH		*		1
12	11102308	MICRO SWITCH PLATE		*		1
13	11326808	REVERSE FEED CONTROL LEVER		*		1
14	SS4120615SP	SCREW 3/16-28 L=6	FOR DLN-5410N-7-0B			1
15	SS4120915SP	SCREW 3/16-28 L=9				1
16	RE0500000KP	E-RING 5				1
17	11101300	REVERSE FEED CONNECTING SHAFT				1
18	22962609	REVERSE FEED BASE COLLAR				1
19	11101508	REVERSE FEED LINK				1
20	NS6110420SP	NUT 11/64-40				1
21	22962500	REVERSE FEED CONNECTING LINK H				1
22	40090750	SOLENOID MOUNTING BASE ASM.				1
23	SS7110740TP	SCREW 11/64-40 L=7		*		4
24	40090752	SOLENOID INSTALLING PLATE		*		1
25	RE1200000K0	E-RING 12		*		1
26	WP1703001SC	WASHER 17X30X3		*		1
27	D2468555B00	RUBBER PLUNGER		*		1
28	40090751	REVERSE FEED SOLENOID		*		1
29	RE0900000K0	E-RING 9				1
30	NS6110420SP	NUT 11/64-40				2
31	SS4150915SP	SCREW 15/64-28 L=9				1
32	11217601	WALKING FOOT SPRING				1
33	22962906	PLUNGER ARM PIN				1
34	SD0700451TP	HINGE SCREW D=7 H=4.5				1
35	SD0700711TP	HINGE SCREW D=7 H=7.1				1
36	WP0722316SH	WASHER				1

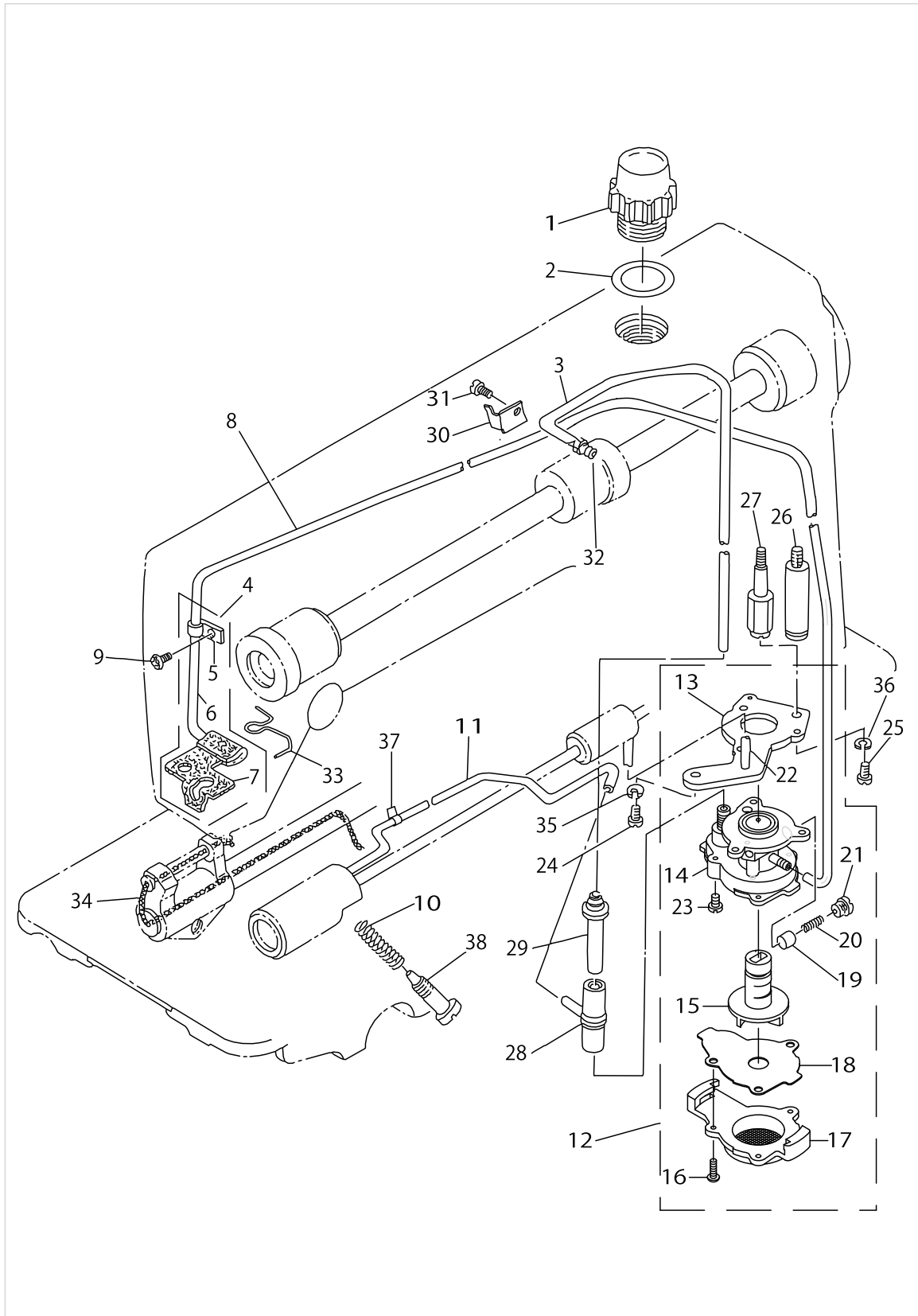
# WIPER COMPONENTS



WIPER COMPONENTS

No.	Parts No.	Parts name	Remarks	Level	Cons	Qty
1	11327558	WIPER ASM.				1
2	22955504	WIPER COVER		*		1
3	SL4030631SC	SCREW M3X6		*		1
4	SD0650321TP	HINGE SCREW D=6.5 H=3.2		*		1
5	NS6090310SP	NUT 9/64-40		*		1
6	22956106	WIPER LINK A		*		1
7	22956403	WIPER LINK B		*		1
8	RE0250000K0	E-RING 2.5		*		1
9	22956908	WIPER LINK B HINGE SCREW		*		1
10	22956205	WIPER HINGE SCREW COLLAR		*		1
11	22956304	WIPER SPRING		*		1
12	NS6110310SP	NUT 11/64-40		*		1
13	22955900	WIPER RUBBER A		*		1
14	22956007	WIPER RUBBER B		*		1
15	40106936	WIPER SOLENOID ASM.		*		1
16	22957104	WIPER SOLENOID SHAFT		*		1
17	HA00600000A	SWITCH		*		1
18	22956809	WIPER COLLAR		*		1
19	RE0500000K0	E-RING		*		1
20	11110152	WIPER BASE ASM.		*		1
21	22957203	WIPER LINK COLLAR		*		1
22	SL4030641SE	SCREW		*		3
23	11315058	WIPER DRIVING SHAFT ASM.		*		1
24	22957005	WIPER		*		1
25	SS6090540SP	SCREW 9/64-40 L=5.0		*		1
26	SS6121840SP	SCREW 3/16-28 L=18				1
27	11315108	COLLAR				1
28	SS4120915SP	SCREW 3/16-28 L=9				1

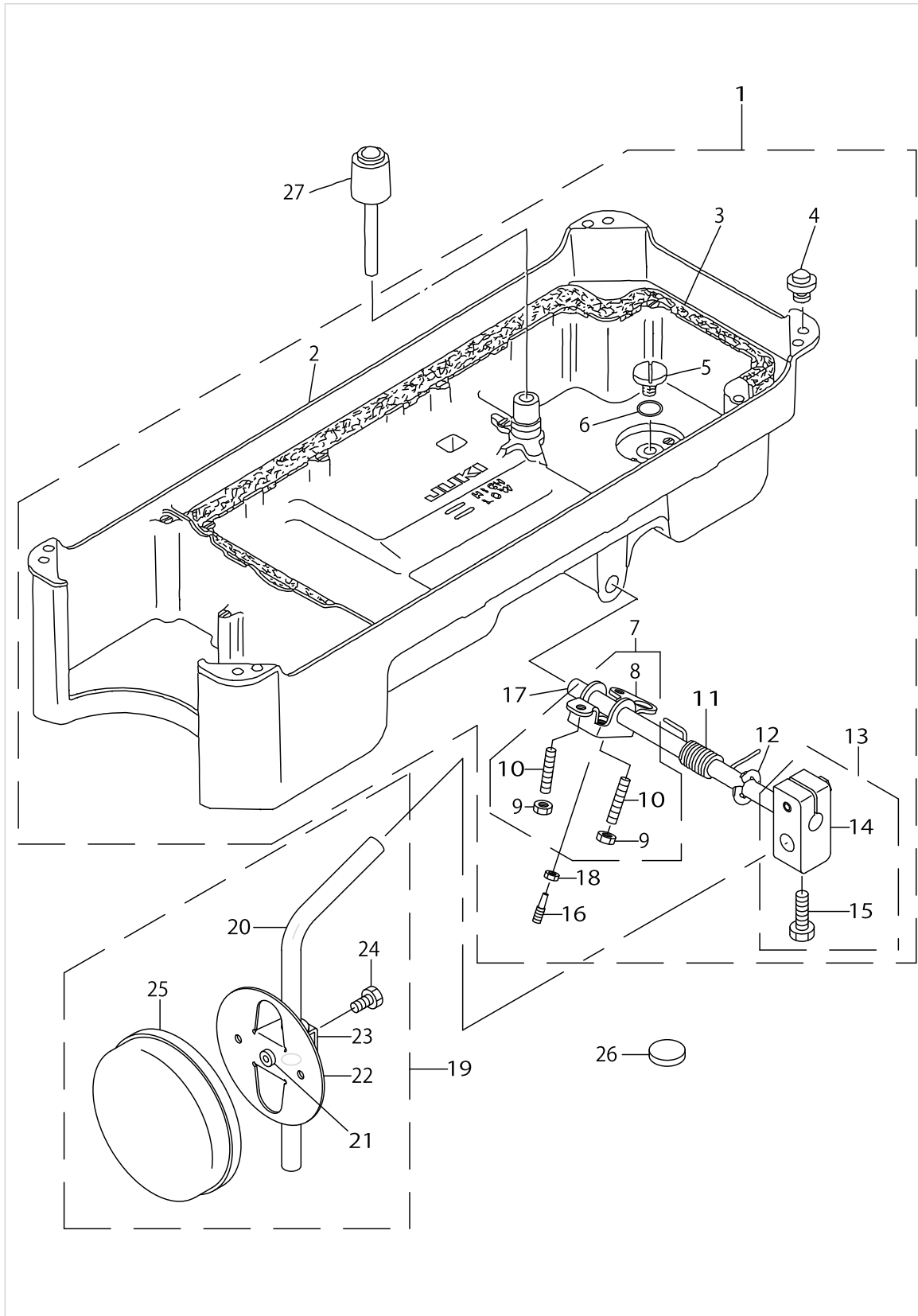
OIL LUBRICATION COMPONENTS



OIL LUBRICATION COMPONENTS

No.	Parts No.	Parts name	Remarks	Level	Cons	Qty
1	22947006	OIL SIGHT WINDOW				1
2	RO195240100	RUBBER RING				1
3	BT0600402EA	OIL TUBE				0.27
4	11307154	OIL RETURN TUBE ASM.				1
5	B3536122000	HOLDER		*		1
6	11307204	FELT B		*		1
7	11307105	FELT A		*		1
8	BT0500300EA	OIL TUBE				0.69
9	SS4120615SP	SCREW 3/16-28 L=6				1
10	22924906	OIL REGULATOR SCREW SPRING				1
11	11307352	OIL WICK ASM.				1
12	22923056	OIL PUMP ASM.				1
13	22923312	OIL PUMP INSTALLING BASE		*		1
14	22923015	OIL PUMP		*		1
15	22923700	IMPELLER		*		1
16	SE4301041SR	SCREW D=3 L=10		*		3
17	22923205	PUMP BODY COVER		*		1
18	22923809	PUMP BODY SUPPORT PLATE		*		1
19	22923403	PLUNGER		*		1
20	22923601	PLUNGER SPRING		*		1
21	22923502	PLUNGER SCREW		*		1
22	22923908	HOOK DRIVING SHAFT OILING PIPE		*		1
23	SL4030851SF	SCREW M3 L=8		*		3
24	SS4150915SP	SCREW 15/64-28 L=9				1
25	SS6111010TP	SCREW 11/64-40 L=9.5				1
26	22924005	PUMP BODY STRUT	FOR DLN-5410N-7-00			1
27	11231503	OIL PUMP SUPPORT	FOR DLN-5410N-7-0B,-WB			1
28	22924609	RUBBER JOINT				1
29	11221504	OIL TUBE JOINT				1
30	11222007	HOLDER				1
31	SS6080340SP	SCREW 1/8-44 L=2.9				1
32	SQ1150501SD	CONNECTING SCREW				1
33	11307006	OIL FELT PRESSER				1
34	CQ252000000	OIL WICK				0.3
35	WS0451040KP	SPRING WASHER 4.5X8.5X1	FOR DLN-5410N-7-0B,-WB			1
36	WS0651310KP	SPRING WASHER 6.5X11X1.3	FOR DLN-5410N-7-0B,-WB			1
37	EA9500B0200	CABLE BAND 150				1
38	22925002	OIL REGULATOR SCREW				1

OIL RESERVOIR COMPONENTS

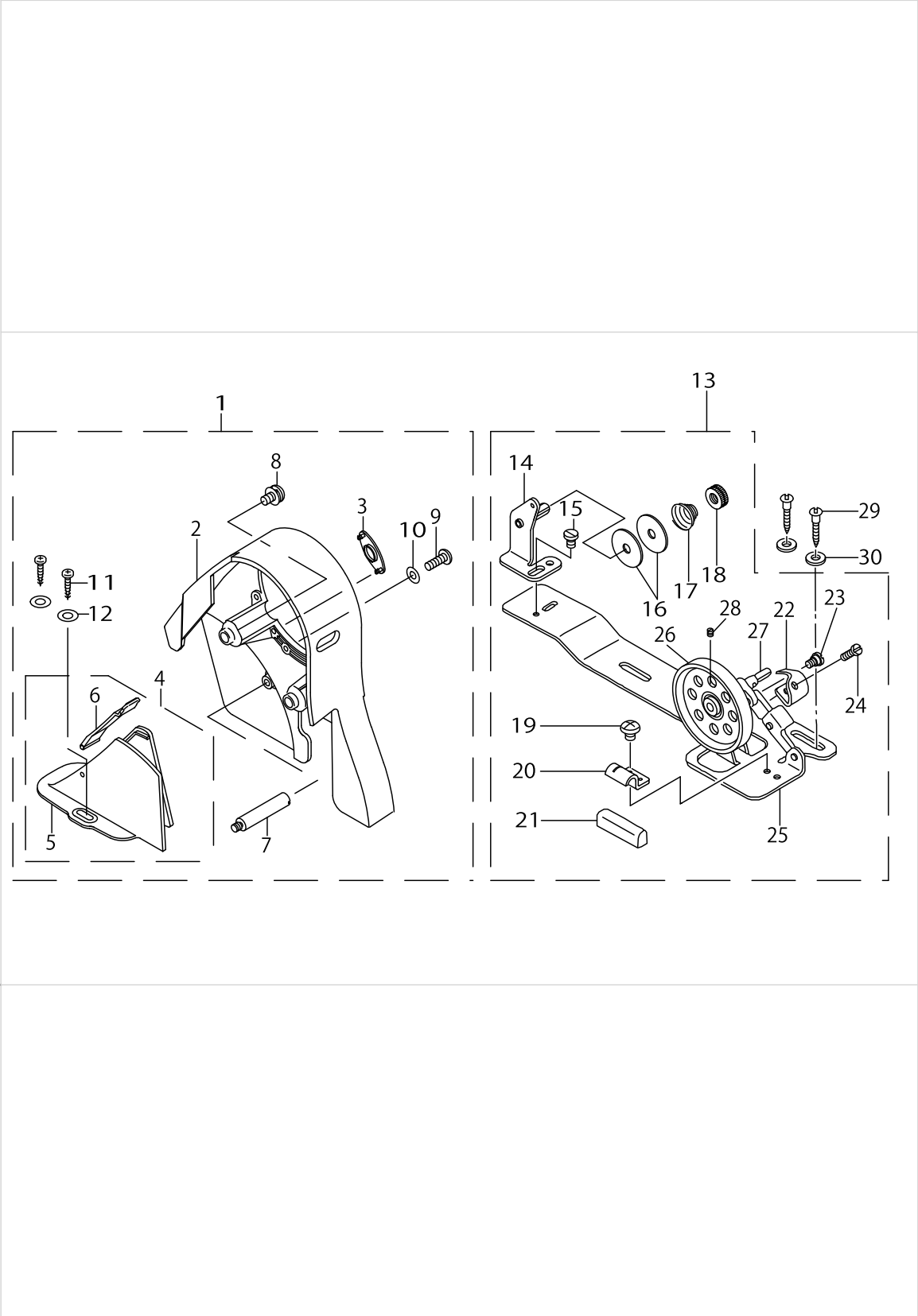


OIL RESERVOIR COMPONENTS

No.	Parts No.	Parts name	Remarks	Level	Cons	Qty
1	11047057	OIL RESERVOIR ASM.				1
2	11023017	OIL RESERVOIR		*		1
3	11024700	GASKET		*		1
4	11047107	RUBBER CUSHION		*		4
5	SS6700710SH	SCREW 5/16-24 L=7		*		1
6	RO098240100	RUBBER RING		*		1
7	22932156	KNEE LIFTER ROTATION ARM ASM.		*		1
8	22932107	KNEE LIFTER ROTATION ARM		*		1
9	NM6060001SE	NUT M6		*		2
10	SM8063012TR	SCREW M6 L=30		*		2
11	22932206	SPRING		*		1
12	RE1000000K0	E-RING 10		*		1
13	22932453	BRACKET ASM.		*		1
14	22932404	BRACKET		*		1
15	22934707	BRACKET SCREW		*		2
16	40101720	SCREW_M6		*		1
17	22932305	KNEE PRESS CROSS SHAFT		*		1
18	NM6060001SE	NUT M6		*		1
19	22934251	KNEE PAD PLATE ASM.				1
20	22934608	KNEE PAD UPRIGHT SHAFT		*		1
21	22934400	KNEE PAD PLATE RUBBER		*		1
22	22934202	KNEE PAD PLATE		*		1
23	22934301	KNEE PAD PLATE SUPPORT		*		1
24	SM9061203SE	SCREW M6 L=12		*		1
25	22934509	KNEE PAD PLATE COVER		*		1
26	B8228125000	OIL RESERVOIR MAGNET				1
27	22931703	KNEE LIFTER PUSH ROD				1



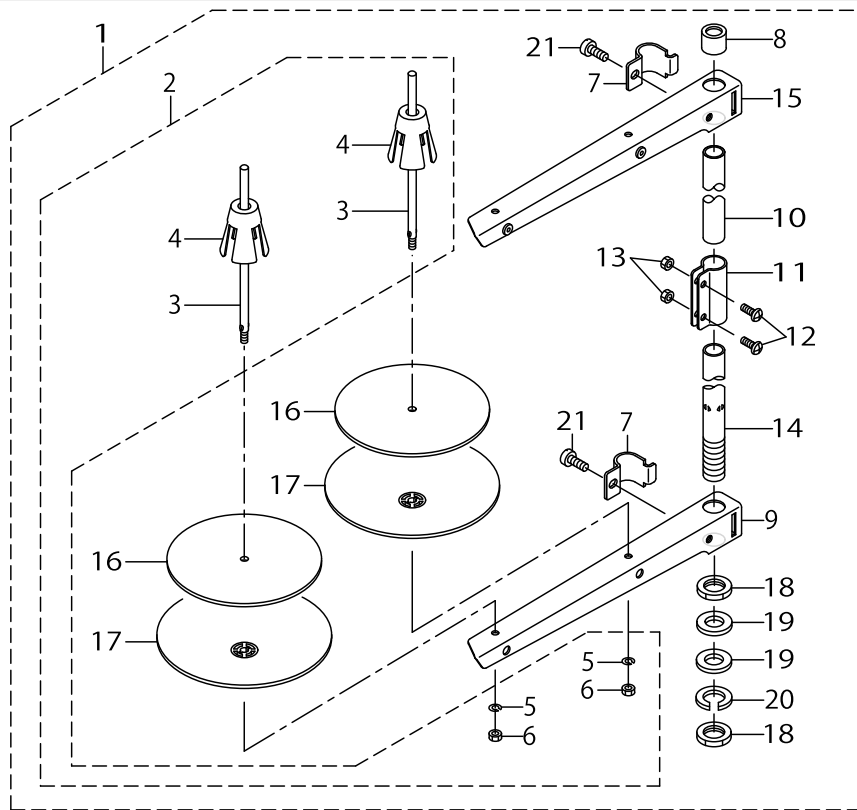
BELT COVER & BOBBIN COMPONENTS



BELT COVER & BOBBIN COMPONENTS

No.	Parts No.	Parts name	Remarks	Level	Cons	Qty
1	22933451	BELT COVER ASM.				1
2	22933402	BELT COVER A		*		1
3	22933501	BELT COVER A CAP		*		1
4	22933659	BELT COVER B COMPL.		*		1
5	22933600	BELT COVER B		*		1
6	22933758	BELT COVER B LID ASM.		*		1
7	22933907	BELT COVER STRUT		*		1
8	22934004	SET SCREW		*		2
9	SS4121415SP	SCREW 3/16-28 L=14		*		1
10	WP0501016SD	WASHER 5X10.5X1		*		1
11	SK3412000SC	WOOD SCREW D=4.1 L=20		*		2
12	WP0450826SC	WASHER 4.5X10X0.8		*		2
13	22927354	BOBBIN WINDER COMPL.				1
14	22928501	THREAD TENSION POST BASE		*		1
15	SS4110515SP	SCREW 11/64-40 L=5		*		1
16	22928907	THREAD TENSION DISK		*		2
17	22929004	THREAD TENSION SPRING		*		1
18	22928808	NUT		*		1
19	SS7110350SP	SCREW 11/64-40 L=3.5		*		1
20	22928402	CONTROL RUBBER HOLDING PLATE		*		1
21	22928303	CONTROL RUBBER		*		1
22	22928105	BOBBIN PRESSER		*		1
23	SD0490261SP	HINGE SCREW D=4.9 H=2.6		*		1
24	SS7081310SP	SCREW 1/8-44 L=12.5		*		1
25	22927305	BOBBIN WINDER BASE		*		1
26	22927404	BOBBIN WINDER		*		1
27	22927602	BOBBIN WINDER SPINDLE		*		1
28	SS8110510SP	SCREW 11/64-40 L=5		*		1
29	SK3412000SC	WOOD SCREW D=4.1 L=20				2
30	WP0450826SC	WASHER 4.5X10X0.8				2

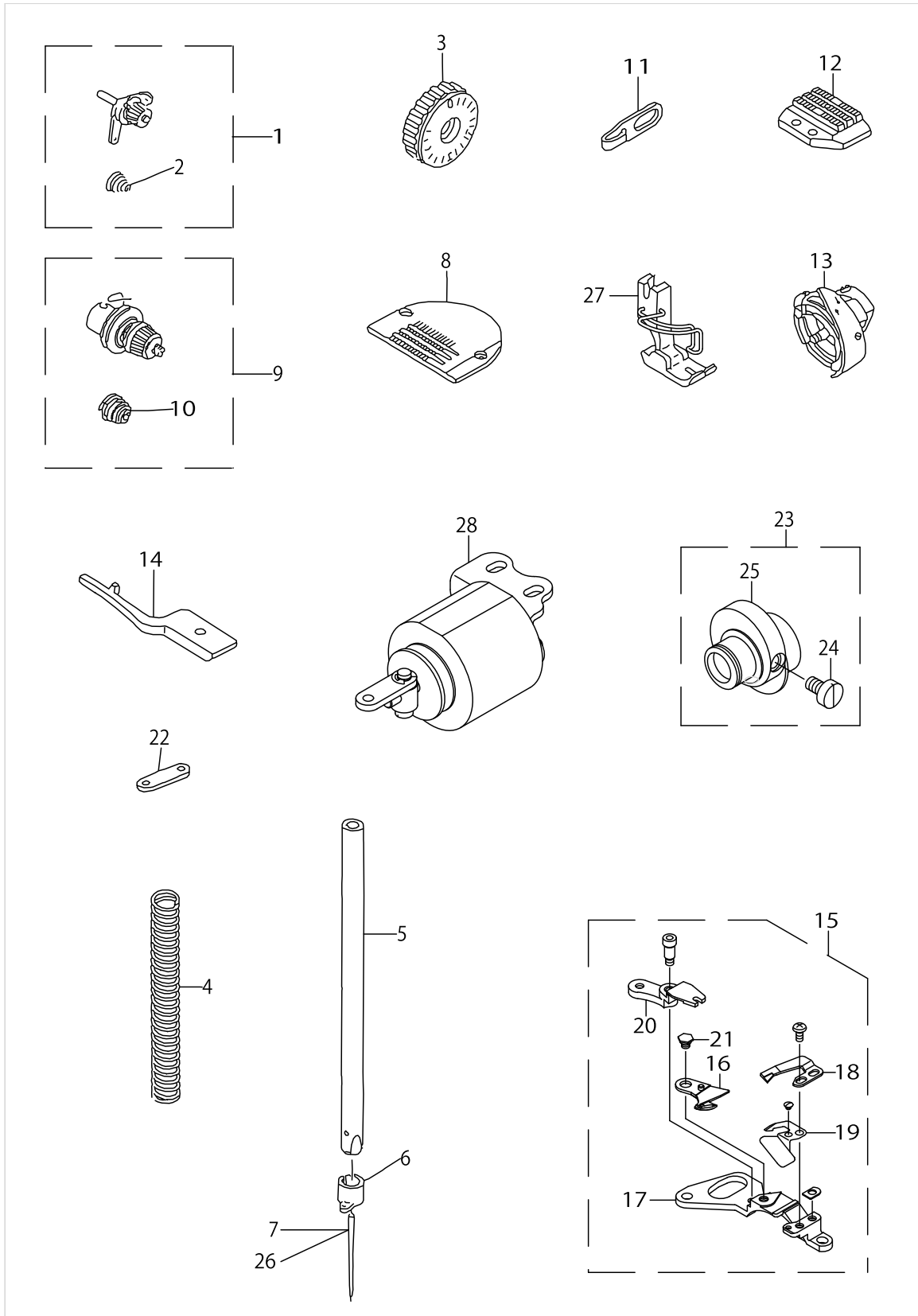
THREAD STAND COMPONENTS



THREAD STAND COMPONENTS

No.	Parts No.	Parts name	Remarks	Level	Cons	Qty
1	22930358	THREAD STAND ASM.				1
2	40062684	SPOOL PIN ASM.		*		1
3	22931000	SPOOL PIN		*		2
4	22931109	SPOOL RETAINER		*		2
5	WS0510002KN	SPRING WASHER		*		2
6	NM6050001SE	NUT M5		*		2
7	22930705	THREAD GUIDE ARM JOINT		*		2
8	22931406	SPOOL REST ROD RUBBER CAP		*		1
9	22930507	SPOOL REST ARM		*		1
10	22930408	SPOOL REST ROD UPPER		*		1
11	22931307	SPOOL REST ROD JOINT		*		1
12	SM4051405SE	SCREW M5 L=14		*		2
13	NM6050001SE	NUT M5		*		2
14	22930309	SPOOL REST ROD LOWER		*		1
15	22930556	THREAD STANDING ARM ASM.		*		1
16	22930903	SPOOL REST CUSHION		*		2
17	22930804	SPOOL REST		*		2
18	NM6160511SE	NUT M16X1.5		*		2
19	WP1612616SE	WASHER 16.1X30X2.6		*		2
20	WS1643202KR	SPRING WASHER		*		1
21	SM6061610SC	SCREW M6 L=16		*		2

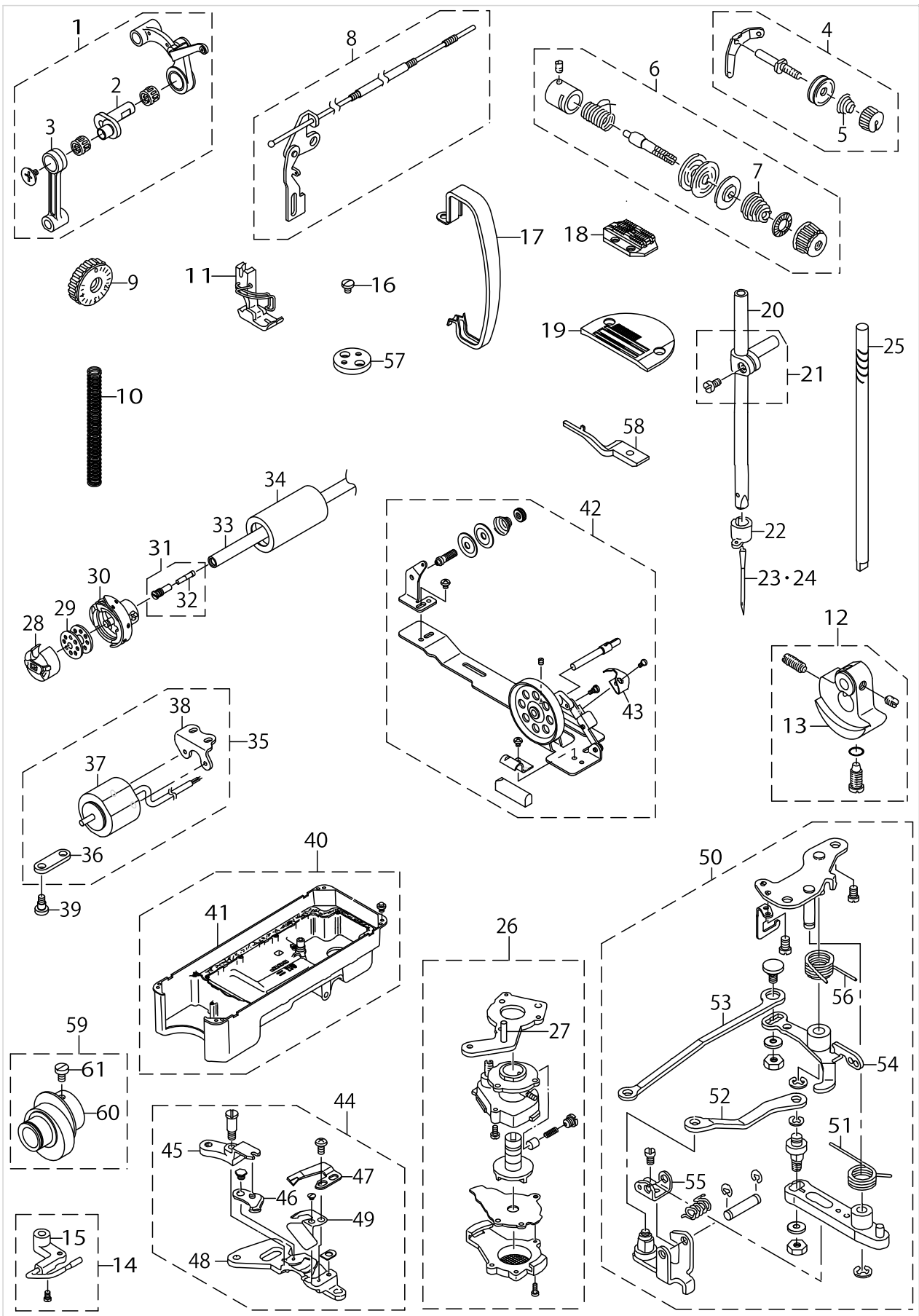
EXCLUSIVE PARTS FOR DLN-5410NH-7



EXCLUSIVE PARTS FOR DLN-5410NH-7

No.	Parts No.	Parts name	Remarks	Level	Cons	Qty
1	22963458	THREAD TENSION ASM.				1
2	22963409	THREAD TENSION SPRING		*		1
3	11326303	FEED DIAL				1
4	B1505552000A	PRESSER SPRING				1
5	11320801	NEEDLE BAR				1
6	B1418415H00	NEEDLE BAR THREAD GUIDE				1
7	MDB100B2100	NEEDLE DBX1 #21				1
8	B1109415H0B	THROAT PLATE (H)				1
9	22962054	THREAD TENSION ASM.				1
10	22962005	THREAD TENSION SPRING		*		1
11	11091006	ARM THREAD GUIDE (HA)				1
12	11322203	FEED DOG H				1
13	11321452	LUBRICATING BOBBIN ASM.				1
14	22962401	POSITIONING FINGER H				1
15	11095551	KNIFE UNIT				1
16	11409257	MOVING KNIFE J ASM.		*		1
17	11095502	KNIFE MOUNT BASE		*		1
18	40089755	FIX KNIFE		*		1
19	23645401	THREAD GUIDE FOR KNIFE H		*		1
20	11095601	KNIFE BRANCH		*		1
21	SD0500131TP	HINGE SCREW D=5 H=1.25		*		1
22	11094604	CLUTCH LINK				1
23	11322450	FEED ECCENTRIC CAM H ASM.				1
24	SS6661110SP	SCREW 1/4-40 L=11		*		2
25	11322401	FEED ECCENTRIC CAM H		*		1
26	MC200501300	NEEDLE 134 NM130	FOR JE			1
27	B1524041EB0	PRESSER FOOT ASM.				1
28	11096559	SOLENOID UNIT				1

EXCLUSIVE PARTS FOR DLN-5410NJ-7

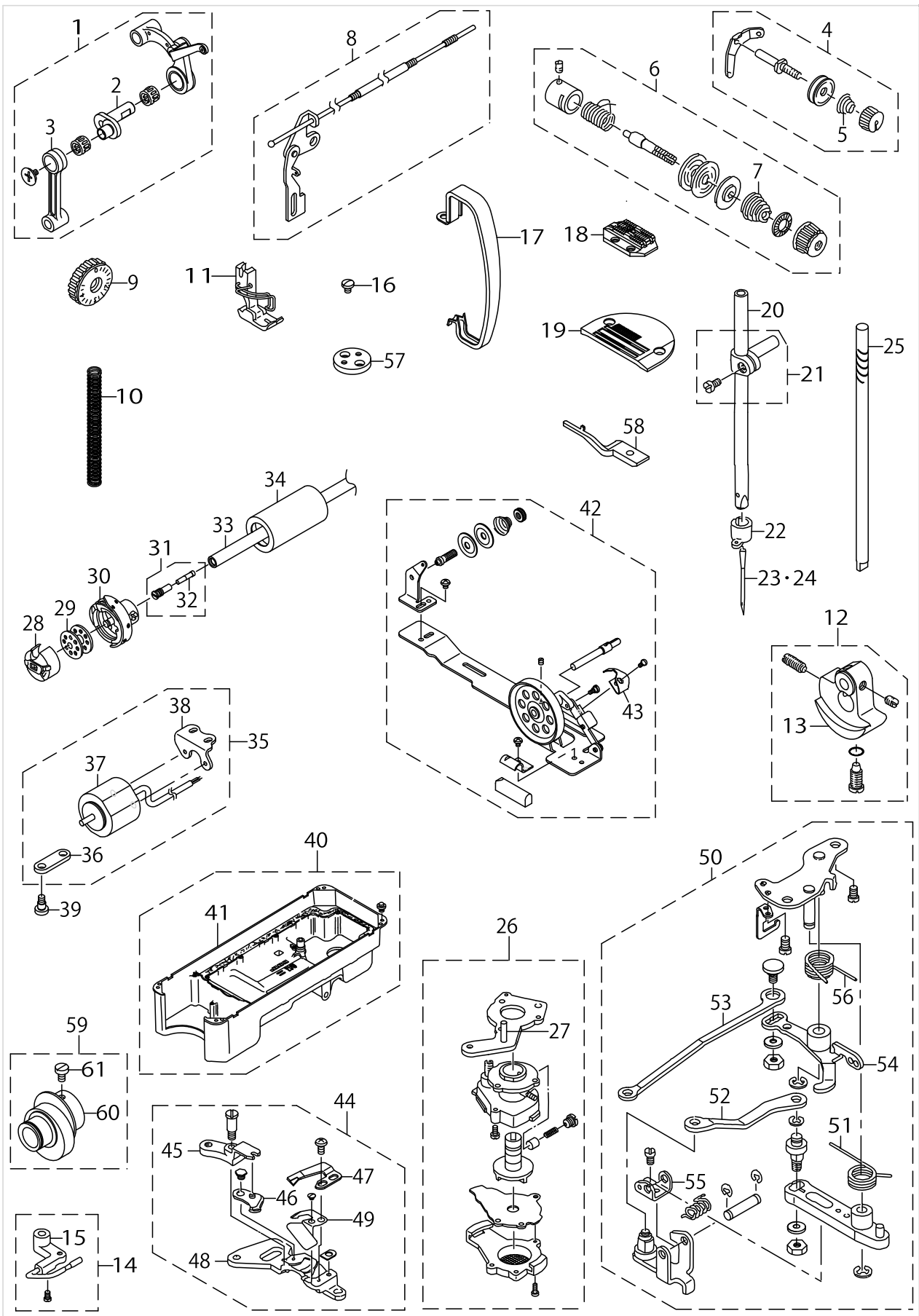


EXCLUSIVE PARTS FOR DLN-5410NJ-7

No.	Parts No.	Parts name	Remarks	Level	Cons	Qty
1	11308459	THREAD TAKE-UP LEVER COMPL.				1
2	11308400	NEEDLE BAR CRANK J		*		1
3	11308301	NEEDLE BAR CRANK ROD		*		1
4	22963458	THREAD TENSION ASM.				1
5	22963409	THREAD TENSION SPRING		*		1
6	22962054	THREAD TENSION ASM.				1
7	22962005	THREAD TENSION SPRING		*		1
8	11308657	THREAD TENSION RELEASE WIRE				1
9	11326303	FEED DIAL				1
10	B1505552000A	PRESSER SPRING				1
11	B1524041EB0	PRESSER FOOT ASM.				1
12	40057179	COUNTER WEIGHT ASM.				1
13	40057178	COUNTER WEIGHT		*		1
14	11408655	PICKER ARM ASM.				1
15	11408606	PICKER ARM		*		1
16	SS7110540SP	SCREW 11/64-40 L=5				2
17	11415205	THREAD TAKE-UP LEVER COVER(JE)				1
18	D1609415B0H	FEED DOG				1
19	B1109415H0B	THROAT PLATE (H)				1
20	11308103	NEEDLE BAR J				1
21	11308251	NEEDLE ROD HOLDER ASM.				1
22	B1418415H00	NEEDLE BAR THREAD GUIDE				1
23	MDB100B2100	NEEDLE DBX1 #21				1
24	MC200501300	NEEDLE 134 NM130	FOR JE			1
25	11401403	UPRIGHT SHAFT				1
26	11404555	LUBRICATING OIL PUMP ASM.				1
27	11404605	HOOK DRIVING SHAFT OIL TUBE		*		1
28	B1837201SA0	BOBBIN CASE ASM.				1
29	40021610	BOBBIN				1
30	D1830560EA0	HOOK ASM.				1
31	11404753	OIL SEAL SCREW				1
32	11404704	OIL WICK		*		1
33	11403300	HOOK DRIVING SHAFT				1
34	40021613	HOOK DRIVING SHAFT BUSH FRONT				1
35	11407459	SOLENOID UNIT				1
36	11407707	CLUTCH LINK		*		1
37	40090753	THREAD TRIMMER SOLENOID		*		1
38	11407608	SOLENOID BASE		*		1
39	SD0600452TP	HINGE SCREW D=6 H=4.5				1
40	11142064	OIL RESERVOIR ASM.				1
41	11142056	OIL RESERVOIR ASM.		*		1
42	11415866	BOBBIN WINDER COMPL.				1
43	11415908	POSITIONING FINGER		*		1
44	11409554	KNIFE UNIT				1
45	11409703	FEED FORKED		*		1
46	11409257	MOVING KNIFE J ASM.		*		1
47	40089755	FIX KNIFE		*		1



EXCLUSIVE PARTS FOR DLN-5410NJ-7



EXCLUSIVE PARTS FOR DLN-5410NJ-7

No.	Parts No.	Parts name	Remarks	Level	Cons	Qty
48	11409505	INSTALLING BASE		*		1
49	11095403	KNIFE THREAD GUIDE		*		1
50	11407053	THREAD TRIMMER DRIVING UNIT				1
51	11041605	KNIFE RETURN SPRING		*		1
52	11407103	MOVING KNIFE LINK		*		1
53	11407202	PICKER LINK		*		1
54	11407855	CLUTCH PLATE ASM.		*		1
55	11094307	ROLLER ARM BRACKET		*		1
56	11094406	SPRING		*		1
57	22902605	RULER STOP SEAT				1
58	40102871	POSITIONING FINGER				1
59	11322450	FEED ECCENTRIC CAM H ASM.				1
60	11322401	FEED ECCENTRIC CAM H		*		1
61	SS6661110SP	SCREW 1/4-40 L=11		*		2

LIST FOR INFORMATION OF CHANGE (1)

As to the place changed, refer to the corresponding Rev.No.  
 When previous parts(Obsoleted part)and new parts(Added parts)are  
 not interchangeable with each other:  
 In this case, even obsoleted parts(D.)can be ordered with the  
 obsoleted part number, so select the parts with changed dates and  
 place your orders.

変更箇所は、該当Rev.No.版をご参照ください。  
 部品の互換性がない変更の場合は、削除された品番でも、ご注文できます。

29133006  
 No.0900-12 Rev.No.

\*A:Added parts追加部品/D:Obsoleted parts削除部品/E:Erratum訂正

* Rev. No.	Page 頁	Ref. No.	Parts No. 品番	* Rev. No.	Page 頁	Ref. No.	Parts No. 品番
D 11	2	17	111-00104	A 12	2	17	401-11022
D 11	2	42	M6002-350-AAF				
D 11	2	66	M6002-350-AAC				
D 11	2	67	M6002-350-AAL				
D 11	2	68	M6002-350-AAA				
D 11	2	69	SS-4121215-SP				
D 11	2	70	WP-0501016-SD				
D 11	4	4	110-39070	A 12	4	4	229-18072
D 11	4	5	110-39062	A 12	4	5	229-18064
D 11	4	6	B1905-541-B00	A 12	4	6	229-18403
				A 12	4	7	229-18502
				A 12	4	8	229-18601
				A 12	4	9	229-18700
D 11	4	7	110-05204	A 12	4	10	229-18106
D 11	4	8	B1408-552-000	A 12	4	11	229-06606
D 11	4	9	B1903-552-000	A 12	4	12	229-18304
D 11	4	10	229-03157	A 12	4	13	401-06606
D 11	4	12	229-03108	A 12	4	17	401-06607
D 11	4	21	110-02508	A 12	4	21	401-05231
D 11	8	28	112-30901	A 12	8	28	229-62807
D 11	12	6	110-40300	A 12	12	6	229-47907
D 11	12	11	HK-0346400-0B				
D 11	12	13	110-42553	A 12	12	13	229-50257
D 11	12	14	110-42504	A 12	12	14	229-50208
D 11	12	19	110-42850	A 12	12	19	229-50851
D 11	12	23	110-42264	A 12	12	23	229-49762
D 11	12	26	110-42306	A 12	12	26	229-50000
D 11	12	30	110-41852	A 12	12	30	400-87245
D 11	12	49	110-43957	A 12	12	49	229-51164
D 11	12	52	110-43205				
				A 12	12	53	401-06930
D 11	12	53	110-43908	A 12	12	54	401-06931
D 11	12	55	WP-0450000-SD	A 12	12	57	WS-0410002-KR
D 11	12	56	NM-6040000-SN	A 12	12	56	NM-6040001-SE
D 11	12	57	110-43304				
D 11	12	58	NS-6660410-SH				

LIST FOR INFORMATION OF CHANGE (2)

* Rev. No.	Page 頁	Ref. No.	Parts No. 品番	* Rev. No.	Page 頁	Ref. No.	Parts No. 品番
D 11	12	59	NS-6660430-SP				
				A 12	14	1	113-04052
D 11	15	22	113-14754	A 12	15	22	400-90750
D 11	15	24	110-95106	A 12	15	24	400-90752
D 11	15	28	112-28400	A 12	15	28	400-90751
D 11	15	29	HK-0346400-0B				
D 11	16	15	111-10301	A 12	16	15	401-06936
D 11	16	17	HA-0005900-00	A 12	16	17	HA-0060000-0A
D 11	16	18	HW-2003900-00				
D 11	16	19	HW-5000700-00				
D 11	16	23	HK-0346400-0B				
D 11	20	16	SM-9061853-SR	A 12	20	16	401-01720
D 11	20	18	NM-6060001-SE				
				A 12	22	2	400-62684
D 11	24	1	110-73954	A 12	24	1	229-63458
D 11	24	2	110-93606	A 12	24	2	229-63409
D 11	24	14	110-93804	A 12	24	14	229-62401
D 11	24	18	114-09604	A 12	24	18	400-89755
D 11	24	19	110-95403	A 12	24	19	236-45401
D 11	24	26	110-93366				
D 11	24	27	110-94307				
D 11	24	28	110-94406				
D 11	24	30	M6003-350-AAF				
D 11	24	31	M6003-350-AAA				
D 11	24	32	M6003-350-AAD				
D 11	24	34	110-94851	A 12	24	28	110-96559
D 11	24	35	114-07608				
D 11	26	4	110-73954	A 12	26	4	229-63458
D 11	26	5	110-93606	A 12	26	5	229-63409
D 11	26	12	M6002-350-AAL				
D 11	26	37	110-96500	A 12	26	37	400-90753
D 11	26	47	114-09604	A 12	26	47	400-89755
D 11	26	49	114-09802	A 12	26	49	110-95403
D 11	26	57	M6003-350-AAA				
D 11	26	58	400-21622	A 12	26	58	401-02871

## HOW TO MAKE USE OF THIS PARTS LIST

### 1.Explanation of codes

1)"\*"mark.....means this part is changed from the previous parts book.

As to the details of the change, refer to the "List for information of change".

2)"#01".....refer to "Note" explanation at bottom of page.

### 2.Codes on the "Qty" column

- Each numeral indicates the number of parts required.
- "0.1" and "2.5" indicate the length (in meters) of the respective parts.

3.Parentheses mean that the corresponding part is a subpart that constructs an assembly part.

4.Dotted lines on the Figures indicate assembly parts.

### 1."注記"欄の記号説明

1) "\*"印.....前回のパーツブックに比較して今回変更された部品を意味します。

変更内容は、"変更情報リスト"を参照してください。

2) "#01".....ページ下の"注記"の説明を参照してください。

2.数量欄の数字は、個数を表し、0.1、2.5等の数値は、長さ（単位メートル）を表します。

3.数量欄の（ ）は、組部品を構成している子部品であることを意味します。

4.イラストページの-----枠は、組構成であることを意味します。

# NUMERICAL INDEX OF PARTS

PART NO	PAGE	REF NO.	PART NO	PAGE	REF NO.	PART NO	PAGE	REF NO.
11002409	6	20	11222007	28	30	11308301	38	3
11002904	6	40	11231503	28	27	11308400	38	2
11003308	2	11	11232105	18	3	11308459	38	1
11004207	8	23	11300308	2	41	11308657	38	8
11009800	14	5	11300407	2	3	11311057	16	73
11015906	8	35	11300506	2	2	11312055	10	20
11017357	6	2	11300605	2	4	11313053	18	5
11023017	30	2	11300902	6	25	11313103	18	7
11024700	30	3	11301009	8	2-40	11313251	18	1
11030202	4	58	11301108	8	2-40	11314267	16	68
11038650	8	42	11301355	10	37	11314507	14	1
11038759	8	39	11301405	10	38	11315058	26	23
11038809	8	29	11301603	10	9	11315108	26	27
11040854	18	45	11301652	10	5	11320801	36	5
11040953	18	44	11301702	10	31	11321452	36	13
11041605	40	51	11302254	14	19	11322203	36	12
11047057	30	1	11302304	6	44	11322401	36	25
11047107	30	4	11302353	6	42	11322401	40	60
11071453	6	33	11302411	14	12	11322450	36	23
11071461	6	29	11302502	14	40	11322450	40	59
11091006	36	11	11302619	16	69	11325750	2	1
11094307	40	55	11302700	14	17	11326204	14	10
11094406	40	56	11303161	14	26	11326303	36	3
11094604	36	22	11303328	14	4	11326303	38	9
11095254	2	15	11303567	22	25	11326808	24	13
11095403	40	49	11303807	22	19	11327053	24	1
11095502	36	17	11303906	22	24	11327558	26	1
11095551	36	15	11304003	22	2	11385127	14	6
11095601	36	20	11304052	22	1	11401403	38	25
11096559	36	28	11304151	22	28	11403300	38	33
11101300	24	17	11304201	22	13	11404555	38	26
11101508	24	19	11304300	22	15	11404605	38	27
11102308	24	12	11304409	22	30	11404704	38	32
11110152	26	20	11305000	16	49	11404753	38	31
11141355	8	37	11305703	10	47	11407053	40	50
11142056	38	41	11305901	10	30	11407103	40	52
11142064	38	40	11306107	10	22	11407202	40	53
11202306	6	26	11306206	10	25	11407459	38	35
11205309	10	14	11307006	28	33	11407608	38	38
11205408	10	13	11307105	28	7	11407707	38	36
11210903	22	10	11307154	28	4	11407855	40	54
11211000	22	4	11307204	28	6	11408606	38	15
11214509	22	22	11307352	28	11	11408655	38	14
11217601	24	32	11308103	38	20	11409257	36	16
11221504	28	29	11308251	38	21	11409257	38	46

# NUMERICAL INDEX OF PARTS

PART NO	PAGE	REF NO.	PART NO	PAGE	REF NO.	PART NO	PAGE	REF NO.
11409505	40	48	22913008	16	48	22925002	28	38
11409554	38	44	22915003	14	15	22927305	32	25
11409703	38	45	22915151	14	42	22927354	32	13
11415205	4	65	22915201	14	45	22927404	32	26
11415205	38	17	22915359	16	55	22927602	32	27
11415866	38	42	22916001	8	28	22928105	32	22
11415908	38	43	22916100	8	31	22928303	32	21
22900401	2	10	22916308	8	24	22928402	32	20
22900609	2	25	22916506	8	36	22928501	32	14
22901003	4	52	22916555	8	34	22928808	32	18
22901201	4	49	22917058	8	32	22928907	32	16
22901250	4	48	22917157	8	26	22929004	32	17
22901300	4	50	22918064	6	5	22930309	34	14
22901805	4	69	22918072	6	4	22930358	34	1
22902605	40	57	22918106	6	10	22930408	34	10
22903009	6	28	22918304	6	12	22930507	34	9
22904155	6	23	22918403	6	6~9	22930556	34	15
22905004	8	21	22918502	6	6~9	22930705	34	7
22905103	8	22	22918601	6	6~9	22930804	34	17
22906457	8	4	22918700	6	6~9	22930903	34	16
22906606	6	11	22919203	6	3	22931000	34	3
22907406	10	36	22920508	2	27	22931109	34	4
22907505	10	35	22920607	2	44	22931307	34	11
22907554	10	33	22921001	2	28	22931406	34	8
22907604	10	34	22921209	2	35	22931703	30	27
22907703	12	49	22921308	2	30	22932107	30	8
22907802	10	1	22921407	2	31	22932156	30	7
22908156	10	7	22921506	2	34	22932206	30	11
22908305	10	8	22921605	2	36	22932305	30	17
22908552	10	4	22921704	2	32	22932404	30	14
22908909	10	44	22921803	2	33	22932453	30	13
22910103	6	27	22923015	28	14	22932909	8	38
22910608	14	25	22923056	28	12	22933402	32	2
22910707	14	24	22923205	28	17	22933451	32	1
22910806	14	27	22923312	28	13	22933501	32	3
22910905	14	23	22923403	28	19	22933600	32	5
22911002	14	37	22923502	28	21	22933659	32	4
22911101	14	13	22923601	28	20	22933758	32	6
22911705	16	74	22923700	28	15	22933907	32	7
22911804	14	7	22923809	28	18	22934004	32	8
22912000	14	9	22923908	28	22	22934202	30	22
22912109	14	8	22924005	28	26	22934251	30	19
22912752	16	63	22924609	28	28	22934301	30	23
22912802	16	62	22924807	20	60	22934400	30	21
22912901	14	36	22924906	28	10	22934509	30	25

## NUMERICAL INDEX OF PARTS

PART NO	PAGE	REF NO.	PART NO	PAGE	REF NO.	PART NO	PAGE	REF NO.
22934608	30	20	22954309	24	6	40087245	18	30
22934707	30	15	22954606	24	2	40089755	36	18
22935407	4	53	22954705	2	9	40089755	38	47
22937965	6	36	22955504	26	2	40090750	24	22
22940654	16	52	22955900	26	13	40090751	24	28
22940753	14	34	22956007	26	14	40090752	24	24
22940803	14	30	22956106	26	6	40090753	38	37
22942601	8	3	22956205	26	10	40101720	30	16
22944508	10	16	22956304	26	11	40102871	40	58
22944607	10	19	22956403	26	7	40105231	6	21
22944706	10	23	22956809	26	18	40106606	6	13
22945307	2	37	22956908	26	9	40106607	6	17
22945356	2	29	22957005	26	24	40106930	20	53
22945414	2	19	22957104	26	16	40106931	20	54
22945463	2	18	22957203	26	21	40106936	26	15
22945505	2	22	22958300	2	7	40111022	2	17
22945604	2	20	22962005	36	10	B1109415H0B	36	8
22945703	2	23	22962005	38	7	B1109415H0B	38	19
22945802	2	21	22962054	36	9	B1213552000A	6	38
22947006	28	1	22962054	38	6	B1215552000	6	41
22947907	18	6	22962401	36	14	B13050120A0	8	12
22948301	18	35	22962500	24	21	B13061550A0	8	14
22948400	18	37	22962609	24	18	B13061550B0	8	11
22949002	18	43	22962708	20	62	B13061550C0	8	10
22949101	18	40	22962807	10	28	B13071550A0	8	17
22949200	18	41	22962906	24	33	B13071550B0	8	16
22949309	18	38	22963409	36	2	B13081550A0	8	19
22949408	18	29	22963409	38	5	B1412352B00	22	5
22949754	18	24	22963458	36	1	B1414226000	8	6
22949762	18	23	22963458	38	4	B1418415H00	36	6
22949903	20	49	22967202	16	61	B1418415H00	38	22
22950000	18	26	22970602	14	35	B1418552A00	8	8
22950109	18	31	22971105	16	67	B1505552000A	36	4
22950208	18	14	22971204	14	2	B1505552000A	38	10
22950257	18	13	22972608	4	57	B1521555000	10	2
22950356	18	15	23645401	36	19	B1524041EB0	36	27
22950703	18	25	40010395	16	75	B1524041EB0	38	11
22950851	18	19	40017805	10	41	B1636581C00	16	72
22950950	18	21	40021610	38	29	B1837201SA0	38	28
22951008	20	50	40021613	38	34	B2906415000	22	6
22951164	20	48	40057178	38	13	B31334150A0	4	55
22951404	20	55	40057179	38	12	B3136415000	4	56
22951552	20	61	40060989	10	42	B3536122000	28	5
22954101	24	4	40062684	34	2	B8228125000	30	26
22954200	24	5	40081220	14	11	BT0500300EA	28	8



# NUMERICAL INDEX OF PARTS

PART NO	PAGE	REF NO.	PART NO	PAGE	REF NO.	PART NO	PAGE	REF NO.
BT0600402EA	28	3	RC0150001KP	16	51	SL4030851SF	28	23
CM300200001	2	42	RC1850001KP	6	22	SL4051001MZ	6	37
CM3002000B1	4	66	RE0250000K0	26	8	SM4031501SC	24	8
CM300200101	4	67	RE0300000K0	10	39	SM4040655SP	24	3
CM3002001A1	4	68	RE0300000KP	10	32	SM4041655SP	24	7
CQ252000000	28	34	RE0400000K0	18	39	SM4051405SE	34	12
CS064061ASP	10	45	RE0500000K0	10	6	SM6061610SC	34	21
CS120101BSH	22	8	RE0500000K0	14	21	SM8061010TP	16	65
CS147121ASH	14	57	RE0500000K0	18	51	SM8061050TP	16	64
CS147121ASH	16	57	RE0500000K0	20	51	SM8063012TR	30	10
D1524415BBC	10	15	RE0500000K0	26	19	SM9061203SE	30	24
D1609415B00	14	31	RE0500000KP	24	16	SQ1150501SD	28	32
D1609415B0H	38	18	RE0600000K0	18	34	SS1120710SP	2	54
D1830560EA0	38	30	RE0900000K0	24	29	SS1120710SP	4	54
D2406555D0H	18	9	RE1000000K0	30	12	SS2060210SP	18	8
D2468555B00	24	27	RE1200000K0	24	25	SS2110915SP	2	43
EA9500B0100	6	24	RO029180100	6	39	SS2110920TP	2	40
EA9500B0200	28	37	RO037180100	10	3	SS4080620TP	14	32
HA001900000	24	11	RO044240100	6	14	SS4080620TP	18	10
HA00600000A	26	17	RO078190100	16	59	SS4090615SP	6	19
HK034610140	18	46	RO092270200	14	16	SS4110515SP	10	27
HK03464000B	24	10	RO098240100	30	6	SS4110515SP	32	15
HW500070000	24	9	RO195240100	28	2	SS4110715SP	18	28
M40071100AA	6	34	SB309000400	22	18	SS4110915TP	8	30
M40071100AB	6	35	SD0460703TP	18	2	SS4120615SP	2	26
MC200500900	8	9-41	SD0490261SP	32	23	SS4120615SP	10	26
MC200501300	36	26	SD0500095TH	18	4	SS4120615SP	24	14
MC200501300	38	23-24	SD0500131TP	36	21	SS4120615SP	28	9
MDB100B1400	8	9-41	SD0600322SD	10	12	SS4120915SP	2	8
MDB100B2100	36	7	SD0600361SP	20	58	SS4120915SP	8	25
MDB100B2100	38	23-24	SD0600452TP	38	39	SS4120915SP	24	15
NM6040001SE	20	56	SD0630275SP	18	18	SS4120915SP	26	28
NM6050001SE	34	13	SD0640261SP	12	48	SS4121015SP	2	47
NM6060001SE	30	18	SD0640631TP	18	11	SS4121415SP	32	9
NM6160511SE	34	18	SD0641451SP	18	17	SS4150915SP	10	24
NS6090310SP	26	5	SD0650321TP	26	4	SS4150915SP	18	47
NS6110310SP	4	63	SD0700451TP	24	34	SS4150915SP	24	31
NS6110310SP	26	12	SD0700711TP	24	35	SS4150915SP	28	24
NS6110420SP	24	30	SD0720331SP	10	11	SS4151215SP	20	59
NS6150310SP	22	14	SD0790501SP	22	12	SS6060210SP	4	51
NS6150430SP	18	33	SD1000801SH	14	44	SS6080340SP	28	31
NS6150430SP	22	17	SE4301041SR	28	16	SS6090510TP	18	16
NS6620310SP	10	21	SK3412000SC	32	29	SS6090540SP	26	25
NS6680410SP	14	39	SL4030631SC	26	3	SS6090560TP	14	3
RC0150001KP	14	51	SL4030641SE	26	22	SS6090620TP	14	38

NUMERICAL INDEX OF PARTS

PART NO	PAGE	REF NO.	PART NO	PAGE	REF NO.
SS6090660TP	22	7	SS8151550SP	6	32
SS6090670TP	8	5	SS8660410SP	22	9
SS6090810TP	22	23	SS8660610TP	6	18
SS6110420TP	8	27	SS8660610TP	10	40
SS6110610TP	2	45	SS8660610TP	14	58
SS6110640SP	22	27	SS8660610TP	16	58
SS6110710TP	20	52	SS8660810TP	8	20
SS6111010TP	28	25	SS8681130SP	14	41
SS6111210SP	6	30	SS8681650TP	6	16
SS6121220TP	22	3	SS9661120CP	14	22
SS6121610SP	22	20	TA0850604R0	2	59
SS6121840SP	26	26	TA0850604R0	4	59
SS6121860SP	16	76	TA1250406R0	2	46
SS6151220SP	16	66	TA1250504R0	4	61
SS6660610TP	18	20	TA1250705R0	2	6
SS6661110SP	6	43	TA1250804R0	8	1
SS6661110SP	36	24	TA2000502R0	2	13
SS6661110SP	40	61	TA2101002R0	2	62
SS6700710SH	30	5	TA2101002R0	4	62
SS7080510TP	8	7	WP0450801SD	6	31
SS7081310SP	32	24	WP0450826SC	32	30
SS7090610SP	18	42	WP0480856SP	16	54
SS7090620TP	10	46	WP0501016SD	32	10
SS7091110TP	10	43	WP0621016SD	22	16
SS7110350SP	32	19	WP0621016SH	18	32
SS7110540SP	38	16	WP0650876SD	10	10
SS7110740TP	10	29	WP0702026SP	16	60
SS7110740TP	16	50	WP0722316SH	24	36
SS7110740TP	24	23	WP1612616SE	34	19
SS7111120SP	16	56	WP1703001SC	24	26
SS7121410SP	22	29	WS0410002KR	20	57
SS7121410TP	14	53	WS0451040KP	28	35
SS7121410TP	16	53	WS0510002KN	34	5
SS7121610SP	14	43	WS0651310KP	28	36
SS7620750SP	16	71	WS1643202KR	34	20
SS7681650TP	6	15	WT0530002KS	4	64
SS8090670SP	2	38	WZ1250300K0	16	70
SS8110310SP	22	26			
SS8110410TP	8	33			
SS8110510SP	32	28			
SS8110520TP	18	22			
SS8120740SP	22	21			
SS8150710TP	2	39			
SS8150710TP	14	28			
SS8151150TP	6	1			