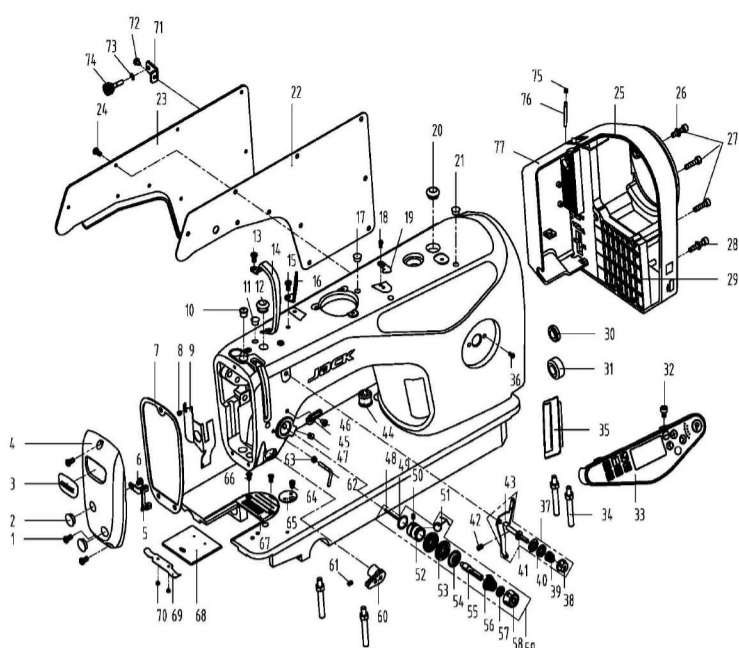
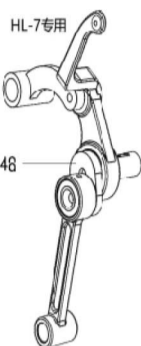
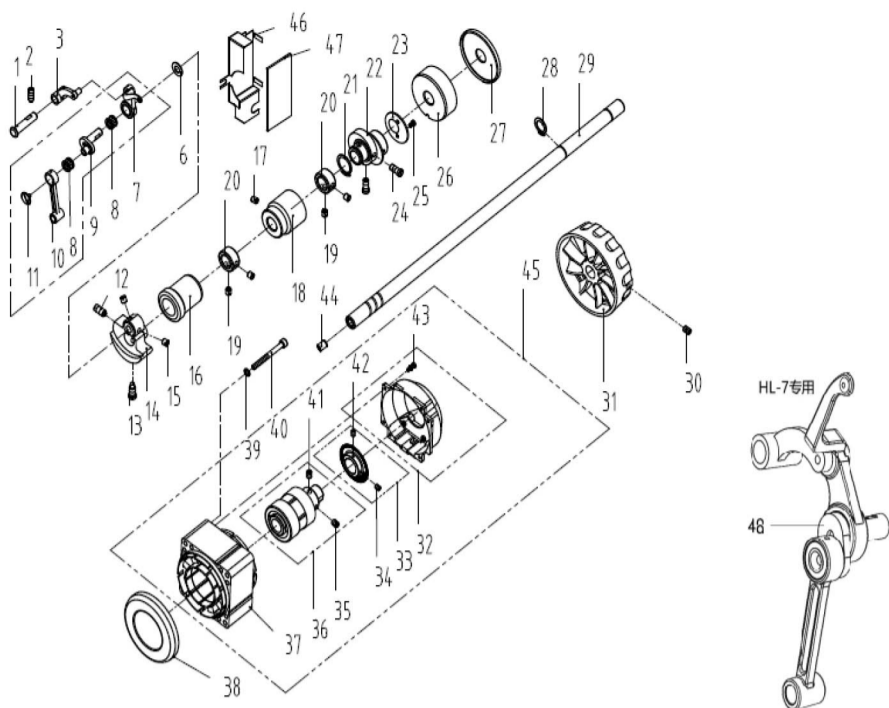


1



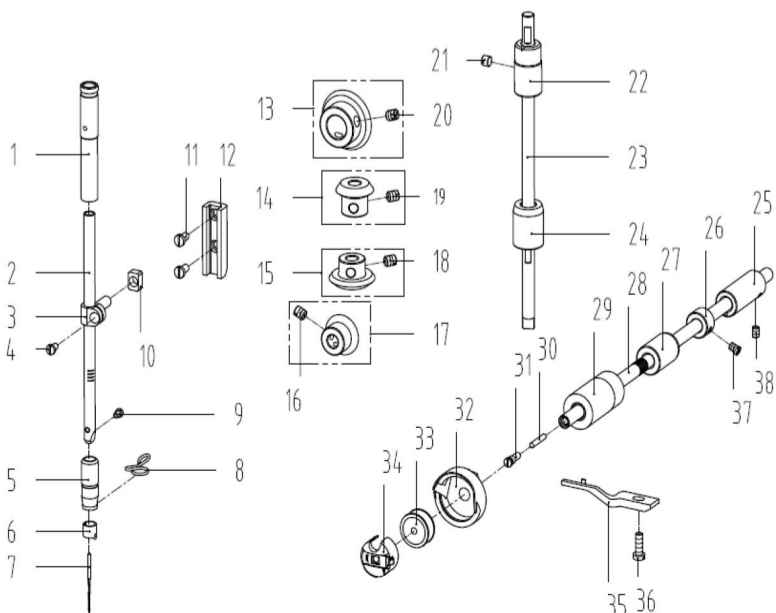
1. 机壳、外装分组件/Machine Frame & Miscellaneous Cover Components

序号 NO	公司件号 Part NO	名称 PartName	零件描述 Description	数量 Number
1	101S11001	螺钉SM3/16"×28 L=9	Screw SM3/16"×28 L=9	3
2	10122003	面板调节孔螺塞	Rubber plug	2
3	13837002	商标牌	Head card	1
4	13801012	面板	Face plate	1
5	13813005	左线钩	Thread guide left	1
6	101S11007	螺钉SM11/64"×40 L=6	Screw SM11/64"×40 L=6	1
7	13822006	面板垫	Face plate gasket	1
8	101S11027	螺钉SM1/8"×44 L=3.4	Screw SM1/8"×44 L=3.4	1
9	10412007	面部防油板	Face oil shield asm	1
	11412082	面部防油板(厚料)	Face oil shield asm (H)	1
10	10122013	针杆上衬套孔塞	Rubber plug	1
11	10122005	挑线连杆销螺孔塞	Rubber plug	1
12	10122004	针杆曲柄螺孔塞	Rubber plug	1
13	101S11004	螺钉SM3/16"×28 L=7	Screw SM3/16"×28 L=7	1
14	13812018	挑线杆防护罩	Thread take-up lever cover	1
15	101S11004	螺钉SM3/16"×28 L=7	Screw SM3/16"×28 L=7	1
16	13512004	三孔线钩	Three-hole thread guide	1
17	10122005	挑线连杆销螺孔塞	Rubber plug	1
18	114S11015	螺钉SM9/64"×40 L=6	Screw SM9/64"×40 L=6	2
19	11419001	割线刀	Knife	1
20	20722002	油塞	Rubber plug	1
21	13822001	操作屏孔塞	Rubber plug	2
22	13822007	后窗垫	Side plate gasket	1
23	13812011	后窗板	Side plate	1
24	101S11001	螺钉SM3/16"×28 L=9	Screw SM3/16"×28 L=9	11
25	11383001900	一体机电控罩壳组件(鲍麦克斯)	Electronic control box	1
26	W01009	GB/T97.1-1985垫圈 5	Washer 5	2
27	114S13001	螺钉M5 L=20	Screw M5 L=20	3
28	114S30001	螺钉M5 L=25	Screw M5 L=25	1
	13833024	一体机电控组件(琦星)	Electronic control box (Q)	1
29	13833042	一体机电控组件(鲍麦克斯)	Electronic control box	1
	13833101	一体机电控组件(众邦)	Electronic control box (Z)	1
30	10122006	送料调节器孔塞	Rubber plug	1
31	10122007	下轴工艺孔塞	Rubber plug	1
32	138S05001	螺钉M3 L=12	Screw M3 L=12	2
	13833018	一体机电控面板组件(琦星)	Control pane (Q)	1
33	13833041	一体机电控面板组件(鲍麦克斯)	Control panel	1
	13833102	一体机电控面板组件(众邦)	Control pane (Z)	1
34	101S12001	底板支柱	Machine head stud	2
35	13822002	装饰条	Decorative article	1
36	101S11004	螺钉SM3/16"×28 L=7	Screw SM3/16"×28 L=7	2
37	1411300400	小夹线器组件	Thread tension asm.	1
38	141S16019	小夹线器螺母	Thread tension nut	1
39	11227001	小夹线弹簧	Thread tension spring	1
40	14112017	小夹线板	Thread tension disk	2
41	13810008	小夹线器螺柱	Thread tension post	1
42	138S08006	螺钉SM3/16"×28 L=7	Screw SM3/16"×28 L=7	1
43	13812066	过线板	Thread tension guide plate	1
44	13822028	橡皮塞(二孔)	Rubber plug (two-hole)	1
	11232014	橡皮塞(三孔) (-4)	Rubber plug (three-hole) (-4)	1
45	10113004	右线钩	Thread guide right	1
46	101S11007	螺钉SM11/64"×40 L=6	Screw SM11/64"×40 L=6	1
47	101S15010	螺钉SM15/64"×28 L=10.5	Screw SM15/64"×28 L=10.5	1
48	10126002	松线钉	Tension release pin	1
49	10122014	挑线簧调节座O型圈	Rubber ring	1
50	101S15005	螺钉SM9/64"×40 L=5.5	Screw SM9/64"×40 L=5.5	1
	10127021	挑线簧	Thread take-up spring	1
	10127022	挑线簧(厚料)	Thread take-up spring (H)	1
52	10103011	挑线簧调节座	Thread tension base	1
53	14112015	夹线板	Thread tension disk	2
54	14112016	松线板	Disk stopper	1
55	141S30001	夹线螺钉	Thread tension Screw	1
	10127020	夹线弹簧	Thread tension spring	1
56	10127019	夹线弹簧(厚料)	Thread tension spring (H)	1
57	10112007	夹线制动板	Thread disk rotating stopper	1
58	141S16013	夹线螺母	Thread tension nut	1
	1411300300	夹线器组件	Thread tension asm	1
59	1411300500	夹线器组件(厚料)	Thread tension asm (H)	1
60	1383002700	电子夹线器组件	Nest less e-device	1
61	207S14007	螺钉M4 L=6	Screw M4 L=6	1
62	11413011	固定式缓线钩	Thread guide	1
63	401S16001	螺母SM9/64"×40	Nut SM9/64"×40	1
64	101S11002	螺钉SM11/64"×40 L=5.5	Screw SM11/64"×40 L=5.5	1
65	13812111	卷边器座	Ruler stop seat	1
66	104S17002	螺钉SM11/64"×40 L=6.5	Screw SM11/64"×40 L=6.5	2
	11414006	针板	Needle plate	1
67	11315001	针板(厚料)	Needle plate (-H)	1
	10815001	针板(-7)	Needle plate (-7)	1
	13615003	针板(HL-7)	Needle plate (HL-7)	1
68	10115002	推板	Slide plate	1
69	10127009	推板簧	Slide plate spring	1
70	101S11019	螺钉SM3/32"×56 L=2	Screw SM3/32"×56 L=2	2
71	13812109	侧盖固定板	Fixed plate	1
72	s04010	螺钉M4 L=5.5	Screw M4 L=5.5	1
73	H05002	GB/T 896-1986卡簧3	Snap ring 3	1
74	138S30007	螺钉SM3/16"×28 L=16.5	Screw SM3/16"×28 L=16.5	1
75	12922015	橡皮塞	Rubber plug	1
76	13826009	罩壳台阶销	Pin	1
77	14011009	一体机电控后侧盖(鲍麦克斯)	Side cover	1



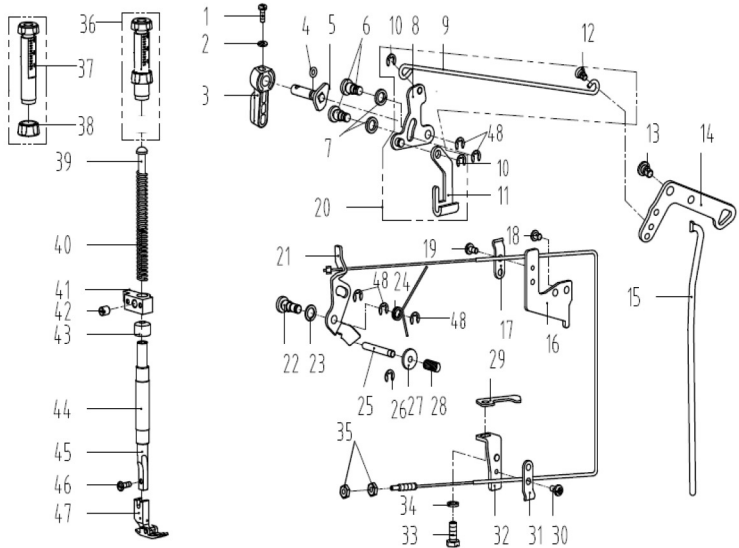
2. 上轴挑线分组件/Main Shaft & Thread Take-up Components

序号 NO	公司件号 Part NO	名称 PartName	零件描述 Description	数量 Number
1	11326013	挑线连杆销	Thread take-up connecting rod pin	1
	10126001	挑线连杆销 (厚料)	Thread take-up connecting rod pin (H)	1
2	101S15001	螺钉SM15/64"x28 L=15	Screw SM15/64"x28 L=15	1
3	10105001	挑线连杆 (厚料)	Thread take-up connecting rod (H)	1
	11305010	挑线连杆	Thread take-up connecting rod	1
6	10112003	针杆曲柄护板	Needle bar crank protecting plate	1
7	1013800100	挑线杆分组件	Thread take-up lever asm	1
8	1133800200	挑线杆组件 (厚料)	Thread take-up lever asm (H)	1
	10124001	挑线杆滚针轴承	Needle bearing	2
9	11310012	挑线曲柄分部件	Thread take-up crank	1
	1011000400	挑线曲柄分部件 (厚料)	Thread take-up crank (H)	1
	11310010	挑线曲柄分部件 (H-M)	Thread take-up crank (H-M)	1
10	10105002	针杆连杆	Needle bar connecting rod	1
11	101S17001	螺钉SM9/64"x40 (左旋) L=4.8	Screw SM9/64"x40 (left hand) L=4.8	1
12	101S15004	螺钉SM9/32"x28 L=16	Screw SM9/32"x28 L=16	1
13	101S11003	螺钉SM9/32"x28 L=16	Screw SM9/32"x28 L=16	1
14	10404001	针杆曲柄	Needle bar crank	1
	11404035	针杆曲柄 (厚料)	Needle bar crank (H)	1
15	101S15002	螺钉SM1/4"x40 L=6	Screw SM1/4"x40 L=6	2
16	1140300200	上轴前轴套组件	Main shaft bushing front	1
17	101S15006	螺钉SM15/64"x28 L=7	Screw SM15/64"x28 L=7	1
18	12203002	主轴中轴套	Main shaft bushing mid	1
19	101S14001	螺钉SM1/4"x40 L=6	Screw SM1/4"x40 L=6	4
20	10108001	上轴挡圈	Main shaft thrust collar	2
21	H03002	挡圈20	Snap ring 20	1
22	11310014	送料偏心轮	Feed eccentric cam	1
	400006	送料偏心轮 (厚料)	Feed eccentric cam (H)	1
	400811	送料偏心轮(H-M)	Feed eccentric cam (H-M)	1
23	10112017	送料偏心轮盖板	Cover plate	1
	10812002	送料偏心轮盖板 (厚料、H-M)	Cover plate (H & H-M)	1
24	101S11013	螺钉SM1/4"x40 L=13	Screw SM1/4"x40 L=13	2
25	113S11003	螺钉SM9/64"x40 L=5	Screw SM9/64"x40 L=5	2
26	13803002	上轴后轴套	The rear axle sleeve	1
27	10122105	上轴后套挡油油封	Oil seal	1
28	H03001	GB/T894.1-1986挡圈15	Snap ring 15	1
29	13802060	上轴	Main shaft	1
30	S10009	螺钉M5 L=8	Screw M5 L=8	2
31	113835001	手轮	Handwheel	1
32	195100018	电机罩壳组件 (琦星)	Motor cover asm (Q)	1
	95100172	电机罩壳组件	Motor cover asm	1
33	95100116	电机光栅组件	Motor grating sensor asm	1
	95100117	电机光栅组件 (琦星)	Motor grating sensor asm (Q)	1
34	S09022	螺钉M3 L=4	Screw M3 L=4	1
35	S09113	螺钉M6 L=6	Screw M6 L=6	1
36	95100182	电机转子总成	Motor rotor	1
37	13811060	电机绝缘防护罩	Motor insulation shield	1
38	95100171	电机定子总成	Motor stator	1
39	W02058	弹垫5	Spring washer 5	3
40	S05901	螺钉M5 L=50	Screw M5 L=50	3
41	S09113	螺钉M6 L=6	Screw M6 L=6	1
42	S09022	螺钉M3 L=4	Screw M3 L=4	1
43	951S15011	螺钉M3 L=12	Screw M3 L=12	5
44	10122012	上轴孔塞	Rubber plug	1
45	113830001	光电伺服电机	Motor	1
	113833073	光电伺服电机 (琦星)	Motor (Q)	1
46	14112004	防油罩	Oil shield	1
47	14123001	防油罩油棉	Oil cotton	1
48	1013800300	挑线杆大组件 (HL专用)	Thread take-up lever asm (HL)	1



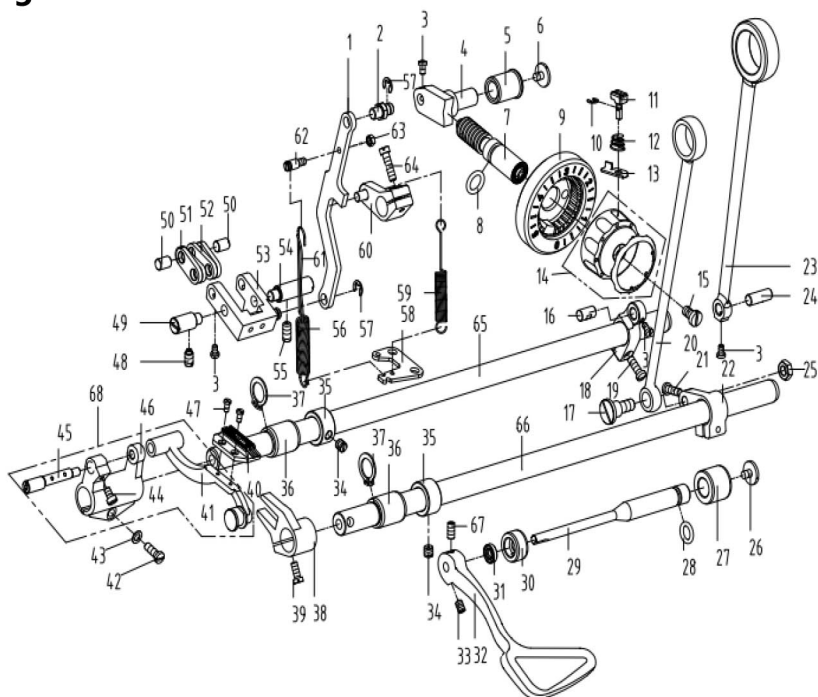
3. 针杆、竖轴、下轴部件 & Upright Shaft & Hook Driving Shaft Components

序号 NO	公司件号 Part NO	名称 PartName	零件描述 Description	数量 Number
1	10103009	针杆上衬套	Needle bar bushing upper	1
2	11402039	针杆	Needle bar	1
	10102021	针杆 (厚料)	Needle bar (H)	1
3	10138002	针杆连接柱	Needle bar connecting rod	1
	13505003	针杆连接柱 (HL)	Needle bar connecting rod (HL)	1
4	101S11005	螺钉SM9/64"x40 L=6	Screw SM9/64"x40 L=6	1
5	10103010	针杆下衬套	Needle bar bushing lower	1
	11303023	针杆下衬套 (厚料)	Needle bar bushing lower (H)	1
6	10113002	针杆线勾	Needle bar thread guide	1
	11412063	针杆线勾 (厚料)	Needle bar thread guide (H)	1
7	10117001	机针 DBx1#14	Needle DBx1#14	1
	10117002	机针 DPx5#21 (厚料)	Needle DPx5#21 (H)	1
8	10413001	针杆下衬套线勾	Lower bushing thread guide	1
	10113009	针杆下轴套线勾 (厚料)	Lower bushing thread guide (H)	1
9	104S11006	螺钉SM11/8"x44 L=4.5	Screw SM11/8"x44 L=4.5	1
10	10109001	针杆连接柱滑块	Slide block	1
11	101S11008	螺钉SM11/64"x40 L=8	Screw SM11/64"x40 L=8	2
12	10109002	针杆接头滑块导轨	Needle bar guide	1
13	10425004	上轴伞齿轮	Upper shaft bevel gear	1
14	10425003	竖轴上伞齿轮	Upper small bevel gear asm	1
15	10425002	竖轴下伞齿轮	Lower large bevel gear asm	1
16	101S15014	螺钉SM1/4"x40 L=7	Screw SM1/4"x40 L=7	2
17	10425001	下轴伞齿轮	Hook drive shaft bevel gear	1
18	101S15014	螺钉SM1/4"x40 L=7	Screw SM1/4"x40 L=7	2
19	101S15014	螺钉SM1/4"x40 L=7	Screw SM1/4"x40 L=7	2
20	101S15014	螺钉SM1/4"x40 L=7	Screw SM1/4"x40 L=7	2
21	113511036	螺钉SM15/64"x28 L=4.7	Screw SM15/64"x28 L=4.7	1
22	10403020	竖轴上轴套	Upright shaft bushing upper	1
23	10102007	竖轴	Upright shaft	1
24	10403013	竖轴下轴套	Upright shaft bushing lower	1
25	10403019	下轴后轴套	Hook driving shaft bushing back	1
26	10108002	下轴挡圈	Hook driving shaft snap ring	1
27	113803006	下轴中套	Lower shaft middle bushing	1
28	13802061	下轴	Hook driving shaft	1
29	11303001	下轴前轴套	Hook driving shaft bushing front	1
30	13823001	下轴限油芯	Oil wick	1
31	101S30005	下轴限油螺钉	Set screw	1
32	11418003	广濂中厚料旋梭 (扩大缝切范围)	Hook asm (Hirose)	1
	11418007	精品旋梭 (国产)	Hook asm (China)	1
	11418002	德盛有尾巴厚料旋梭 (方德款)	Hook asm (China Desheng) (H)	1
	13618003	大旋梭 (HL)	Hook asm (HL)	1
	13818001	国产德盛旋梭(-P)	Hook asm (-P)	1
33	10118003	梭心	Bobbin	1
	10818501	大梭心 (HL)	Big Bobbin (HL)	1
	13818002	梭芯 (-P)	Bobbin (-P)	1
34	11218504	梭壳	Bobbin case asm	1
	13618001	梭壳 (HL)	Bobbin case asm (HL)	1
	13818003	梭壳 (-P)	Bobbin case asm (-P)	1
	10112016	旋梭定位钩	Finger postioner	1
35	10112032	旋梭定位钩 (厚料)	Finger postioner (H)	1
36	116511005	螺钉SM11/64"x40 L=13	Screw SM11/64"x40 L=13	1
37	101S11012	螺钉SM11/64"x40 L=4.8	Screw SM11/64"x40 L=4.8	2
38	113514020	螺钉SM11/64"x40 L=6	Screw SM11/64"x40 L=6	1



4. 压料分组件/Presser Bar Components

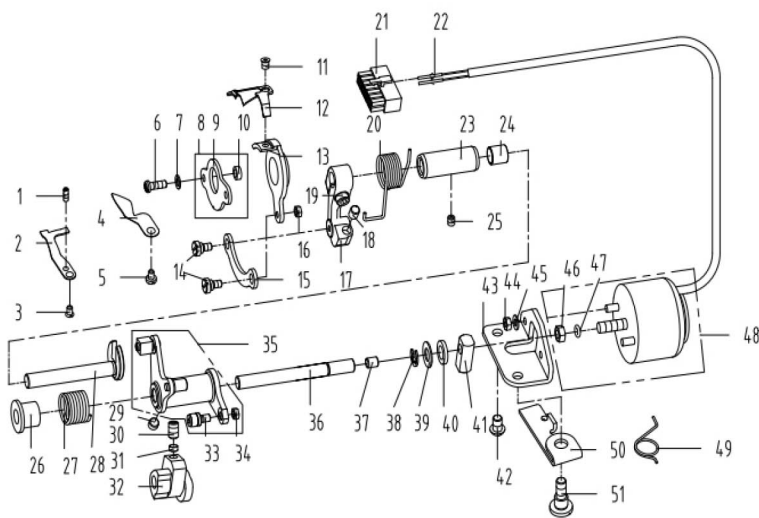
序号 NO	公司件号 Part NO	名称 PartName	零件描述 Description	数量 Number
1	101S11010	螺钉SM9/64"x40 L=11	Screw SM9/64"x40 L=11	1
2	10128002	压脚扳手螺钉垫圈	Washer	1
3	13811029	压脚扳手	Hand lifter	1
4	O01004	O型圈	Rubber ring	1
5	1381000200	压脚扳手凸轮分部件	Hand lifter cam asm	1
6	101S20001	前杠杆螺栓销	Screw	2
7	10128015	螺栓销橡胶垫圈	Washer	2
8	1381203000	抬压脚前杠杆分部件	Lift front lever component	1
9	10112013	抬压脚拉杆	Knee lifter pull rod	1
10	H05003	GB/T896-1986挡圈 5	Snap ring 5	2
11	10112010	压脚升降板	Lifting plate	1
12	101S20004	螺钉SM3/16"x32 L=3.8	Hinge Screw SM3/16"x32 L=3.8	1
13	101S20003	螺钉SM15/64"x28 L=6.4	Hinge screw SM15/64"x28 L=6.4	1
14	12812033	抬压脚后杠杆	Knee lifter back lever	1
15	13812028	抬压脚顶杆	Knee lifter connecting rod	1
16	11212009	松线导管上支架	Wire release bracket upper	1
17	11212008	松线导管压板	Wire release press plate	1
18	101S11004	螺钉SM3/16"x28 L=7	Screw SM3/16"x28 L=7	1
19	113S11004	螺钉M4 L=8	Screw M4x8	1
20	1381203200	抬压脚前杠杆组件	Knee lifter lever asm	1
21	1141206000	松线顶板组件	Wire release plate asm	1
	11381201100	松线顶板组件 (-4)	Wire release plate asm (-4)	1
22	101S20002	松线顶板螺栓销	Wire release plate pin	1
23	10128015	螺栓销橡胶垫圈	Washer	1
24	11427009	松线顶板复位簧	Reset spring	1
25	10126003	松线辅钉	Thread release supporting pin	1
26	H05012	挡圈 4	Snap ring 4	1
27	10128001	松线辅钉垫片	Washer	1
28	10127003	松线辅钉弹簧	Spring	1
29	10112022	旋梭供油管压板	Tube press plate	1
30	113S11004	螺钉M4 L=8	Screw M4 L=8	1
31	11212008	松线导管压板	Wire presser A	1
32	11312001	松线导管下支架	Wire release bracket lower	1
33	116S30003	螺钉SM15/64"x28 L=14.5	Screw SM15/64"x28 L=14.5	1
34	W02004	弹性垫圈	Spring washer	1
35	113S12001	螺母 SM3/16"x32	Nut SM3/16"x32	2
36	11381101800	调压螺钉组件	Presser regulating screw nut asm	1
37	1138NS30003	调压螺钉 (厚料)	Press regulating screw (H)	1
38	1138NS16005	调压螺母 (厚料)	Press regulating nut (H)	1
39	10102003	调压导杆	Press regulating guide bar	1
40	113827010	调压簧	Press regulating spring	1
	10127024	调压簧 (厚料)	Press regulating spring (H)	1
41	13809030	压杆导架	Presser bar guide bracket	1
42	101S15007	螺钉SM1/4"x40 L=8	Screw SM1/4"x40 L=8	1
43	10122112	压杆防油套	Pressure bar oil cover	1
44	10103012	压杆衬套	Presser bar bushing,lower	1
45	10102004	压杆	Presser bar	1
46	101S11009	螺钉SM9/64"x40 L=10.5	Screw SM9/64"x40 L=10.5	1
47	1131600600	压脚组件	Presser foot asm	1
	1131600300	压脚组件 (厚料)	Presser foot asm (H)	1
48	11329020	挡圈 5	Snap ring 5	5



5. 送料分组件/Feed Mechanism Components

序号 NO	公司件号 Part NO	名称 PartName	零件描述 Description	数量 Number
1	11405015	倒送料连杆	Reverse feed connecting rod	1
	11305015	倒送料连杆 (-7)	Reverse feed connecting rod (-7)	1
2	11426021	倒送料连杆销	Connecting rod pin	1
	11326011	倒送料连杆销 (-7)	Connecting rod pin (-7)	1
3	101511005	倒送料连杆销 (HL)	Connecting rod pin (HL)	1
4	11401015	螺钉SM9/64"x40 L=6	Screw SM9/64"x40 L=6	6
5	11403043	送料调节器轴套	Feed regulator bushing	1
6	101511023	螺钉SM3/16"x28 L=6.5	Screw SM3/16"x28 L=6.5	1
7	13826005	标盘螺钉	Feed regulator stud	1
8	10122016	送料调节螺钉O形圈	Rubber ring	1
	13811008	固定表盘	Fixing dial plate	1
9	13811013	固定表盘 (厚料)	Fixing dial plate (H)	1
	13811050	固定表盘 (-7)	Fixing dial plate (-7)	1
10	H05018	GB/T896-1986挡圈3.5	Snap ring 3.5	1
11	13811009	标盘按钮	Dial plate button	1
12	13827002	按钮复位簧	Spring	1
13	13812010	上限位片	Upper limit patch	1
14	1381100700	标盘旋钮组件	Knob component	1
15	101511022	螺钉SM3/16"x28 L=18	Screw SM3/16"x28 L=18	1
16	10126011	送料曲柄销	Feed rocker crank pin	1
17	101520005	螺钉SM9/32"x28	Hinge Screw SM9/32"x28	1
18	10104002	送料曲柄	Feed rocker shaft crank	1
	11304010	送料曲柄 (-7)	Feed rocker shaft crank (-7)	1
19	101511016	螺钉SM3/16"x28 L=14	Screw SM3/16"x28 L=14	1
20	400093	抬牙连杆	Connecting rod	1
21	101511016	螺钉SM3/16"x28 L=14	Screw SM3/16"x28 L=14	1
22	10104004	抬牙后曲柄	Feed driving shaft crank	1
	400091	送料连杆	Rocker shaft connecting rod	1
23	400083	送料连杆 (-7)	Rocker shaft connecting rod (-7)	1
	13805002	送料连杆 (H)	Rocker shaft connecting rod (H)	1
24	10126006	送料连杆销	Connecting rod pin	1
25	101516003	螺母SM9/32"x28	Screw SM9/32"x28	1
26	101511023	螺钉SM3/16"x28 L=6.5	Screw SM3/16"x28 L=6.5	1
27	13803021	倒送料轴后轴套	Reverse feed shaft bushing back	1
28	13822003	倒送料轴O形圈	Rubber ring	1
29	13802010	倒送料轴	Reverse feed shaft	1
30	13803020	倒送料轴中套	Reverse feed shaft bushing mid	1
31	13822056	倒送料轴中套油封	Mid bushing oil seal	1
32	13831055	倒送料扳手	Reverse feed lever	1
33	138510010	螺钉M5 L=8	Screw M5X8	1
34	101515002	螺钉SM1/4"x40 L=6	Screw SM1/4"x40 L=6	4
35	10108003	送料轴挡圈	Feed rocker shaft snap ring	2
36	10403015	轴套	Bushing	2
37	H03001	GB/T894.1-1986挡圈15	Snap ring 15	2
	10104007	抬牙叉形曲柄	Driving shaft crank	1
38	10804003	抬牙叉形曲柄 (厚料, -7)	Driving shaft crank(H & -7)	1
39	116511005	螺钉SM11/64"x40 L=13	Screw SM11/64"x40 L=13	1
	101511020	螺钉SM11/64"x40 L=10.5 (厚料, -7)	Screw SM11/64"x40 L=10.5(H & -7)	1
40	11414002	送料牙	Feed dog	1
	11314001	送料牙 (厚料)	Feed dog(H)	1
	11414001	送料牙 (-7)	Feed dog (-7)	1
41	470060	牙架	Feed bar asm	1
42	101511016	螺钉SM3/16"x28 L=14	Screw SM3/16"x28 L=14	1
43	10128003	牙架座螺钉垫圈	Washer	1
44	101511025	螺钉SM11/64"x40 L=7	Screw SM11/64"x40 L=7	1
45	10401007	牙架销	Feed bar pin	1
46	480095	牙架座	Feed bar bed	1
47	101511018	螺钉SM1/8"x44 L=6	Screw SM1/8"x44 L=6	2
48	101515010	螺钉SM15/64"x28 L=10.5	Screw SM15/64"x28 L=10.5	1
49	10126009	送料摆动板左销	Left pin	1
50	10126007	短摆动板连杆销	Connecting pin	2
51	10109005	送料短摆动板	Feed short shaking plate	2
	13505024	送料短摆动板 (厚料)	Feed short shaking plate (H)	2
52	10109004	送料长摆动板	Feed long shaking plate	2
53	1400100600	摆动板座分部件	Shaking plate bed components	1
54	10126010	送料摆动板座右销	Right pin	1
55	113514010	螺钉SM15/64"x28 L=12	Screw SM15/64"x28 L=12	1
56	11427011	送料调节弹簧	Spring	1
57	11329020	挡圈 5	Snap ring 5	2
58	13812081	拉簧固定板	Pull spring fixing plate	1
59	13827006	倒送料拉簧	Reverse feed pull spring	1
60	1140402700	倒送料曲柄组件	Feed reverse crank asm	1
	1130402800	倒送料曲柄组件 (-7)	Feed reverse crank asm (-7)	1
61	11321005	油管	Tube	1
62	114530007	螺钉SM11/64"x40 L=6.5	Screw SM11/64"x40 L=6.5	1
63	114516004	螺母SM11/64"x40	Nut SM11/64"x40	1
64	S01102	螺钉SM3/16"x28 L=18	Screw SM3/16"x28 L=18	1
65	10102008	送料轴	Feed rocker shaft	1
66	13802001	抬牙轴	Feed driving shaft	1
67	S10035	螺钉M5 L=8	Screw M5 L=8	1
68	11380700300	牙架组件 (成品)	Feed bar asm	1

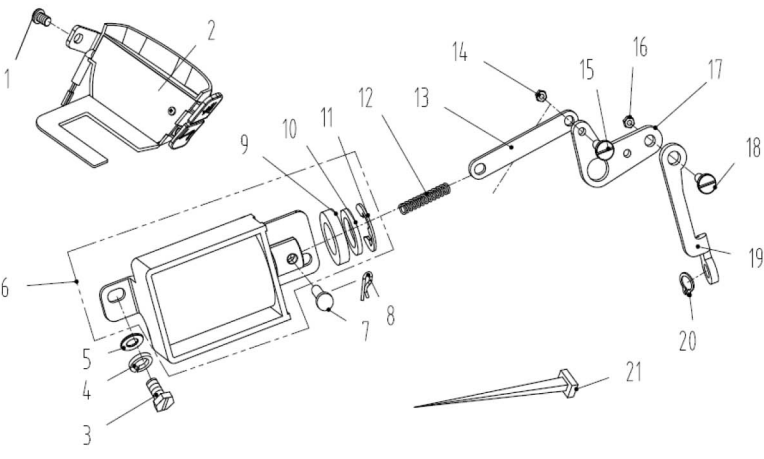
6



6. 切线装置部件/Thread Trimmer Components

序号 NO	公司件号 Part NO	名称 PartName	零件描述 Description	数量 Number
1	113515002	螺钉SM11/8"x44 L=9.5	Screw SM11/8"x44 L=9.5	1
2	115019001	定刀	Secant knife	1
	113819001	定刀 (HL)	Secant knife (HL)	1
3	113517001	螺钉SM9/64"x40 L=8	Screw SM9/64"x40 L=8	1
4	11312003	护针片	Needle guard patch	1
	113812008	护针片 (HL)	Needle guard patch (HL)	1
5	201511009	螺钉SM9/64"x40 L=5.5	Screw SM9/64"x40 L=5.5	1
6	113511001	螺钉SM11/64"x40 L=12	Screw SM11/64"x40 L=12	2
7	10128003	牙架座螺钉垫圈	Washer	2
8	1381203100	刀架压板组件	Knife bracket press component	1
9	13812031	刀架压板	Knife bracket press	1
10	13803012	短套	Short bushing	2
11	113517002	螺钉SM11/64"x40 L=4.4	Screw SM11/64"x40 L=4.4	2
	11319002	活动刀	Motiorial knife	1
12	11319003	活动刀 (厚料)	Motiorial knife (H)	1
	113819003	活动刀 (HL)	Motiorial knife (HL)	1
13	11307001	剪线刀架	Knife bracket	1
	113807001	剪线刀架 (HL)	Knife bracket (HL)	1
14	113520001	连杆螺钉SM11/64"x40	Hinge Screw SM11/64"x40	2
15	11312005	连杆	Connecting rod	1
16	114516004	螺母SM11/64"x40	Nut SM11/64"x40	1
17	11304001	曲柄	Crank	1
18	113822014	驱动曲柄止动块	Crank driver stopper block	1
19	S05004	螺钉M5 L=14	Screw M5 L=14	1
20	11327001	弹簧	Spring	1
21	11230004	14孔接线器	Plug	1
22	11230005	电线插针	Pin	1
23	11303003	切线轴套	Thread cutting shaft bushing	1
	14103003	剪线轴套 (HL)	Thread cutting shaft bushing (HL)	1
24	11503005	驱动曲柄轴衬套	Crank drive shaft bushing	1
25	113514020	螺钉SM11/64"x40 L=6	Screw SM11/64"x40 L=6	1
26	11322002	招簧端盖	Spring cover	1
27	11327002	弹簧	Spring	1
28	11304002	切线凸轮曲柄轴	Crank shaft	1
29	101514001	螺钉SM1/4"x40 L=6	Screw SM1/4"x40 L=6	1
30	116514005	螺钉SM1/4"x40 L=10	Screw SM1/4"x40 L=10	2
31	11309030	凸轮顶柱	Push rod	2
32	11310004	凸轮	Cam	1
	11310011	凸轮 (厚料)	Cam (H)	1
33	11324001	滚柱	Roolling pin	1
34	1138NS16007	螺母SM11/64"x40	Nut SM11/64"x40	1
35	1130400500	剪线驱动组件	Thread trimmer drive asm	1
36	11302002	轴	Shaft	1
37	11322001	驱动曲柄止动块	Positioning block	1
38	H05013	GB/T896-1986挡圈6	Snap ring 6	1
39	10112003	针杆曲柄护板	Cunter weight protecting	1
40	11322003	电磁铁缓冲垫	Solenoid cushion rubber	1
41	11309001	切线电磁铁顶销	Solenoid pin	1
42	101511026	螺钉SM15/64"x28 L=9	Screw SM15/64"x28 L=9	1
43	11312006	切线磁铁支架	Solenoid bracket	1
44	N01005	螺母M4	Nut M4	2
45	W02018	GB/T93-1987 弹簧垫圈4	Washer 4	2
46	112516006	螺母SM1/4"x40	Nut SM1/4"x40	1
47	113822005	垫圈	Washer	1
48	1383003300	剪线电磁铁组件	Thread trimmer solenoid asm	1
49	11327003	弹簧	Spring	1
50	11312007	松线座	Thread release bed	1
51	113520002	螺钉SM1/4"x28 L=13	Screw SM1/4"x28 L=13	1

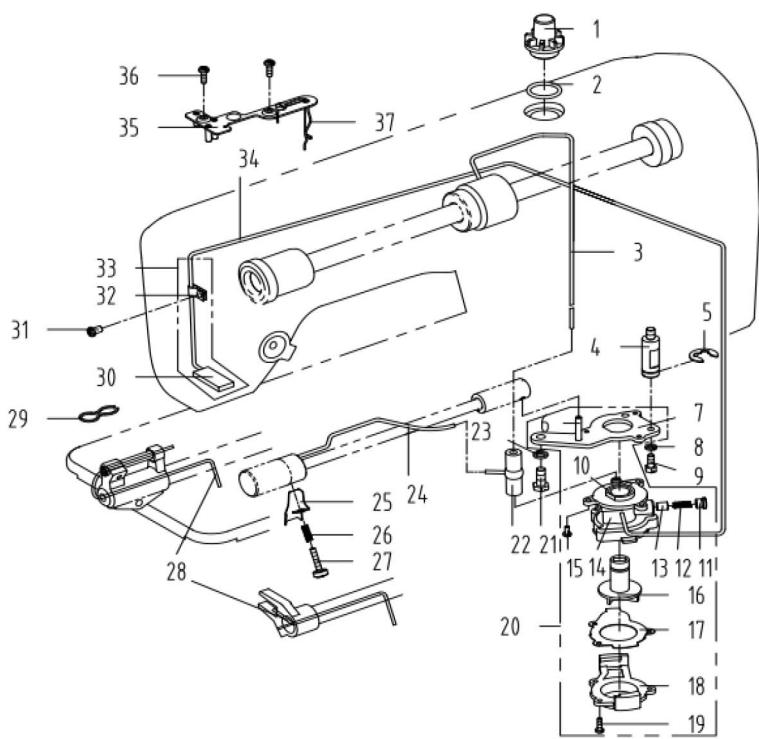
7



7. 自动倒送料开关组件/Automatic Reverse Feed Components

序号 NO	公司件号 Part NO	名称 PartName	零件描述 Description	数量 Number
1	101511004	螺钉SM3/16"x28 L=7	Screw SM3/16"x28 L=7	1
2	1383004700	双开关组件	Auto reverse feed switch asm	1
3	116530003	螺钉SM15/64"x28 L=14.5	Screw SM15/64"x28 L=14.5	2
4	W02004	GB/T93-1987弹垫M6	Spring washer M6	2
5	11628005	抬牙叉固定螺钉垫圈	Washer	2
6	1383003500	自动倒送料电磁铁	Auto reverse feed solenoid	1
7	11326005	销子	Pin	1
8	113829001	R形弹性开口销φ1.5	Cotter pin	1
9	11322040	橡胶垫片	Rubber plunger	1
10	11328031	垫片	Washer	1
11	H05014	GB/T896-1986开口挡圈	Snap ring	1
12	11227006	自动倒送料连杆顶簧	Plunger spring	1
13	13812034	自动倒送料连杆	Auto reverse feed connecting rod	1
14	112516008	螺母SM11/64"x40	Nut SM11/64"x40	1
15	112520002	开槽圆柱头轴位螺钉SM11/64"x40	Hinge Screw SM11/64"x40	1
16	112516007	螺母SM1/4"x28	Nut SM1/4"x28	1
17	11204003	自动倒送料曲柄	Auto reverse feed crank	1
18	112520001	开槽圆柱头轴位螺钉SM1/4"x28	Hinge Screw SM1/4"x28	1
19	114112024	自动倒送料拉杆	Auto reverse feed pull shaft	1
20	14029003	轴用弹性挡圈7	External Circlips 7	1
21	113811004	尼龙扎带	Cable band	6

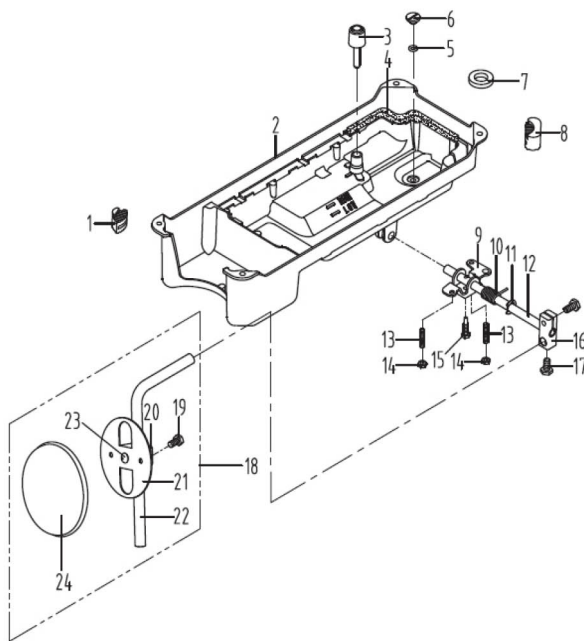
8



8. 润滑组件/Oil Lubrication Components

序号 NO	公司件号 Part NO	名称 PartName	零件描述 Description	数量 Number
1	11211004	油窗	Oil sight window	1
2	10122019	油窗O形圈	Rubber ring	1
3	14121001	上轴供油管	Main shaft oil tube	1
4	112530005	油泵连接螺柱	Oil pump connecting stud	1
5	11329010	开口挡圈10	Snap ring 10	1
6	10121001	供油管	Hook oil tube	1
7	10112020	油泵安装板	Oil pump installing base	1
8	W03002	弹垫	Spring washer	1
9	209512001	螺钉SM11/64"×40 L=10.5	Screw SM11/64"×40 L=10.5	1
10	10103022	油泵体衬套	Oil pump bushing	1
11	101530007	螺钉M7×0.75 L=3.8	Plunger Screw M7×0.75 L=3.8	1
12	10127013	柱塞簧	Plunger spring	1
13	10122018	回油柱塞	Plunger	1
14	10120001	油泵体	Oil pump	1
15	S04093	螺钉M3 L=6	Screw M3 L=6	3
16	10111003	油泵叶轮	Oil pump impeller	1
17	10112021	油泵叶轮托板	Oil pump impeller cover	1
18	10111007	油泵盖	Lubricating oil pump cover	1
19	101530006	螺钉ST2.9 L=10	Screw ST2.9 L=10	3
20	1012000100	油泵分部件	Lubricating oil pump component	1
21	116530003	螺钉SM15/64"×28 L=14.5	Screw SM15/64"×28 L=14.5	1
22	10136001	供油管接头	Rubber joint	1
23	W02004	GB/T93-1987弹垫M6	Spring Washer M6	1
24	13821015	旋梭供油管	Hook driving shaft oil tube	1
	113821001	旋梭供油管 (HL)	Hook driving shaft oil tube (HL)	1
25	11312031	挡油罩	Oil shield cover	1
26	13827014	油量调节螺钉弹簧	Spring	1
27	113530001	螺钉SM11/64"×40 L=19	Screw SM11/64"×40 L=19	1
28	10423005	油线	Oil wick	1
29	10127015	回油毡夹	Oil felt clamp	1
30	10123006	回油毡	Oil felt felt	1
31	101511004	螺钉SM3/16"×28 L=7	Screw SM3/16"×28 L=7	1
32	10112023	回油管夹	Oil tube clamp	1
33	11502100100	回油管部件	Oil return tube component	1
34	115021002	回油管	Oil return tube	1
35	10112025	油线固定板	Oil wick fixing plate	1
36	101511010	螺钉SM9/64"×40 L=11	Screw SM9/64"×40 L=11	2
37	10123010	油线	Oil wick	1

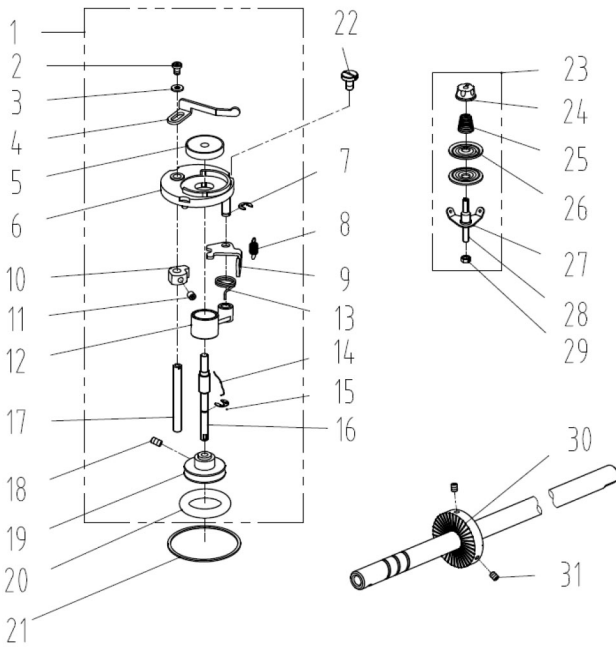
9



9. 油盘、膝压脚分组件/Oil Reservoir & Knee Lifter Components

序号 NO	公司件号 Part NO	名称 PartName	零件描述 Description	数量 Number
1	10122022	油盘座垫	Oil reservoir rubber cushion	2
2	13801020	油盘	Oil Reservoir	1
3	10111005	抬压脚顶杆	Knee lifter push rod	1
4	10122020	油盘垫	Oil Reservoir gasket	1
5	10122021	O型圈	Rubber ring	1
6	101511028	螺钉SM5/16"×24 L=7	Screw SM5/16"×24 L=7	1
7	10131001	油盘磁铁	Oil reservoir magnet	1
8	10122023	油盘支架	Oil reservoir rubber cushion	2
9	10112027	抬压脚双向曲柄	Knee lifter crank	1
10	10127016	双向曲柄扭簧	Knee lifter spring	1
11	H05010	挡圈10	Snap ring 10	1
12	10102011	抬压脚轴	Knee lifter shaft	1
13	101515012	螺钉M6 L=30	Screw M6 L=30	2
14	101516004	螺母M6 L=4	Nut M6 L=4	2
15	101512002	螺钉M6 L=26	Screw M6 L=26	1
16	10101008	抬压脚操纵杆节头	Bearing bracket	1
17	101512003	螺钉M8 L=16	Screw M8 L=16	2
18	1011202800	操纵杆组件	Knee press plate asm	1
19	101512004	螺钉M6 L=11	Screw M6 L=11	1
20	10112030	操纵杆节头	Knee press plate holder	1
21	10112029	操纵板	Knee press plate	1
22	10112028	操纵杆	Knee lifter plate rod	1
23	10122025	操纵杆垫	Rubber	1
24	10122024	操纵板软垫	Knee press plate cover	1

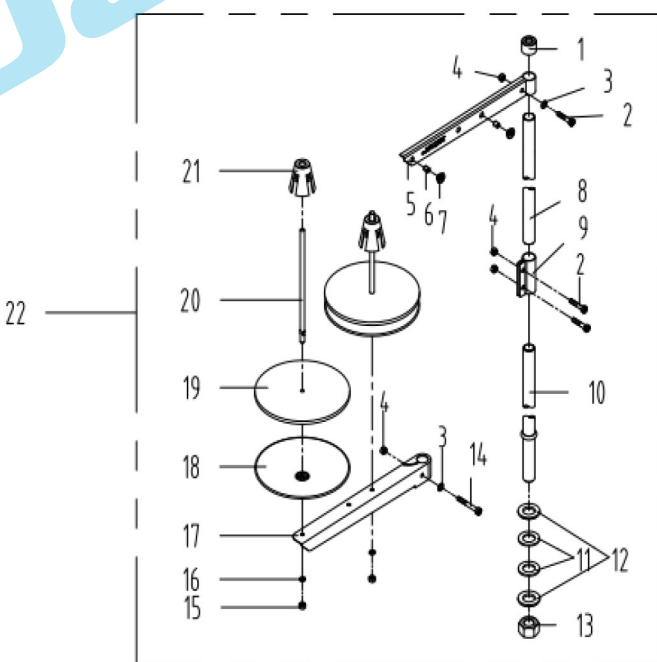
10



10. 绕线器组件/ Bobbin Components

序号 NO	公司件号 Part NO	名称 PartName	零件描述 Description	数量 Number
1	1383103900	绕线器组件	Bobbin winder asm	1
2	114511008	螺钉M4 L=6	Screw M4 L=6	1
3	W01142	垫圈4	Washer	1
4	10113030	压线控制板	Thread press control plate	1
5	10111120	绕线衬垫	Winding pad	1
6	13831101	绕线器装置主座	Bobbin winder bed	1
7	H05006	开口挡圈5	Snap ring	1
8	10127061	复位板拉簧	Spring	1
9	13812110	调节板	Regulating plate	1
10	10110030	绕线凸轮	Bobbin winder cam	1
11	S09045	螺钉M5 L=5	Screw M5 L=5	1
12	1380510600	绕线器连杆组件	Bobbin winder connecting rod	1
13	13827103	满线复位簧	Spring	1
14	10127060	弹簧	Spring	1
15	H05909	开口挡圈4	Snap ring	1
16	13802111	绕线器主轴	Bobbin winder main shaft	1
17	13802026	绕线凸轮轴	Bobbin winder cam shaft	1
18	S09103	螺钉M4 L=4	Screw M4 L=4	2
19	13831102	绕线轮	Bobbin winder wheel	1
20	O01110	O型圈	Ring	1
21	11422062	密封垫	Washer	1
22	114511003	螺钉SM3/16"×28 L=10	Screw SM3/16"×28 L=10	3
23	1411300600	底线夹线器	Bobbin thread tension asm	1
24	141516019	夹线螺母	Thread tension nut	1
25	11427006	小夹线弹簧	Spring	1
26	14112015	夹线板	Thread tension disk	2
27	11413022	夹线过线板	Thread tension guide plate	1
28	112513004	夹线螺钉	Screw	1
29	114516001	螺母SM11/64"×40	Nut SM11/64"×40	1
30	11435013	绕线器驱动轮	Driving wheel	1
31	S10009	螺钉M6 L=8	Screw M6 L=8	2

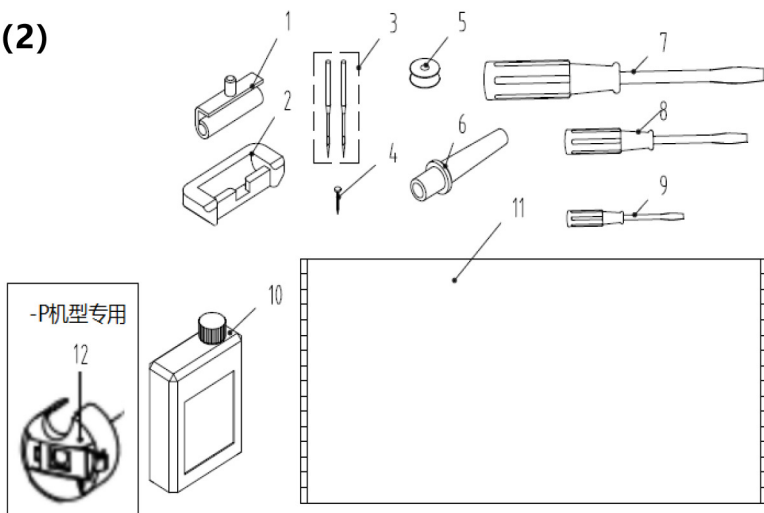
11 (1)



11. 机头附件 (1) -线架组件/Machine Head Accessories (1)-Thread Stand Components

序号 NO	公司件号 Part NO	名称 PartName	零件描述 Description	数量 Number
1	20131019	线架杆顶防护橡皮	Spool rest rod rubber cap	1
2	S04050	螺栓M5 L=16	Screw M5 L=16	3
3	W01047	垫圈M5	Washer M5	2
4	N01034	螺母M5	Nut M5	4
5	13831022	上线架过线杆	Spool rest arm upper	1
6	10113011	过线圈 (内)	Thread guide ring	2
7	10113010	过线圈 (外)	Thread guide ring	2
8	13831019	线架杆上节	Spool rest rod upper	1
9	13831021	线架杆接头	Spool rest rod joint	1
10	13831020	线架杆下节	Spool rest rod lower	1
11	10122106	橡胶垫圈	Spool rest rod rubber ring	2
12	W01052	垫圈M16	Washer M16	2
13	N02008	螺母M16	Spool rest rod nut M16	1
14	S04051	螺栓M5 L=31.5	Screw M5 L=31.5	1
15	N01034	螺母M5	Nut M5	2
16	W03002	弹簧垫圈 5	Spring washer 5	2
17	13831023	下线架过线杆	Spool rest arm lower	1
18	13831024	线盘	Spool rest	2
19	20131010	线盘垫	Spool rest cushion	2
20	20131006	线盘钉	Spool pin	2
21	13831025	线团防松垫	Spool retainer	2
22	1383100300	线架组件	Thread stand asm.	1

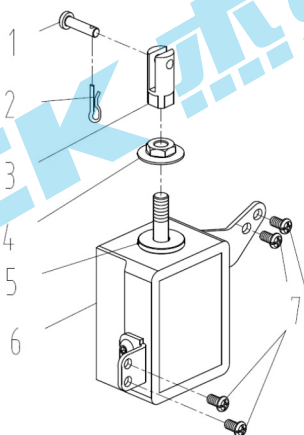
11 (2)



11. 机头附件 (2) /Machine Head Accessories (2)

序号 NO	公司件号 Part NO	名称 PartName	零件描述 Description	数量 Number
1	1011203100	机头连接钩部件	Hinge component	2
2	10122060	机头连接钩座	Head connecting rubber cushion	2
3	10117001	机针 DBx1#14	Needle DBx1#14	4
	10117002	机针 DPx5#21 (厚料)	Needle DPx5#21 (H)	4
4	101S30010	机头连接钩座钉 (P19)	Shoe spike (p19)	6
5	10118003	梭心	Bobbin	2
	10818501	大梭心 (HL)	Big Bobbin (HL)	2
	13818002	梭芯 (-P)	Big Bobbin (-P)	10
6	115011003	机头支柱	Machine head rest pin	1
7	20731047	螺丝刀 (大)	Screw driver (big)	1
8	10131003	螺丝刀 (中)	Screw driver (medium)	1
9	10131004	螺丝刀 (小)	Screw driver (small)	1
10	1381101200	油箱部件	Oiler component	1
11	114131001	防尘罩	Dust cover	1
12	13818003	梭壳 (-P机型专用)	Bobbin case asm (-P)	1

12. 自动抬压脚组件 (-4选配)



12. 自动抬压脚组件 (-4选配) /Auto Lifter Components (-4 Optional)

序号 NO	公司件号 Part NO	名称 PartName	零件描述 Description	数量 Number
1	11326005	销子	Pin	1
2	113829001	R形弹性开口销φ1.5	Cotter pin	1
3	11326006	电磁铁接头	Solenoid connector	1
4	113S16004	法兰螺母M8	Flange nuts M8	1
5	11322008	电磁铁上垫片	Washer	1
6	11383001300	电磁铁组件	Solenoid asm	1
7	101S11001	螺钉SM3/16"×28 L=9	Screw SM3/16"×28 L=9	4

杰克缝纫机股份有限公司

杰克缝纫机
全球销量遥遥领先

公司地址(Address of Company) :

中国浙江省台州市椒江区三甲东海大道东段1008号
NO.1008, DONGHAI AVENUE EAST, JIAOJIANG DISTRICT,TAIZHOU CITY, ZHEJIANG
邮编(Zip Code): 318000

国内销售部(Domestic Trade Department):
电话(TEL): 0086-0576-88177788 88177789
传真(FAX): 0086-0576-88177758

国际贸易部(International Trade Department):
电话(TEL): 0086-0576-88177782 88177774
传真(FAX): 0086-0576-88177787

服务热线: 400-8876858
http://www.chinajack.com

资料如有更改, 恕不另行通知, 以实物为准。

You will be not informed if the file has been revised.Please set sample as standard.

日期: 2020.12



请您扫下杰克服务号

http://www.chinajack.com