

ISO9001 认证



国家高新技术企业

清洁生产

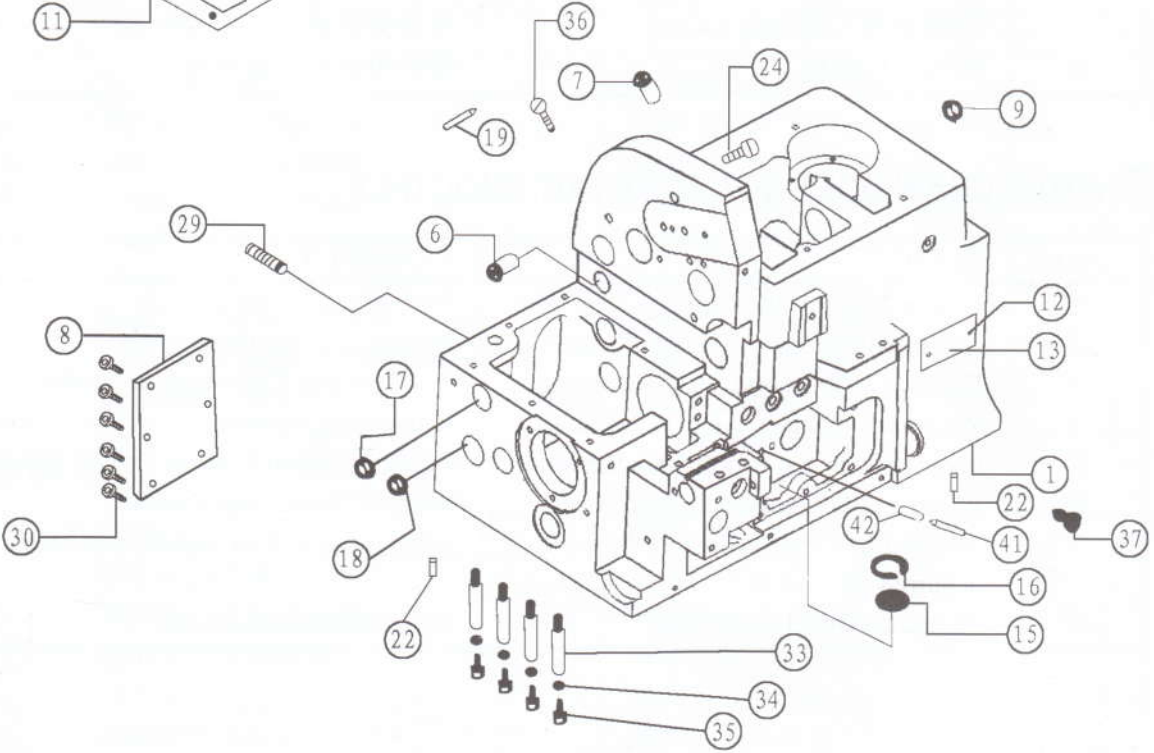
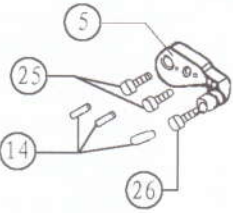
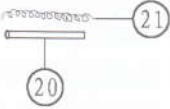
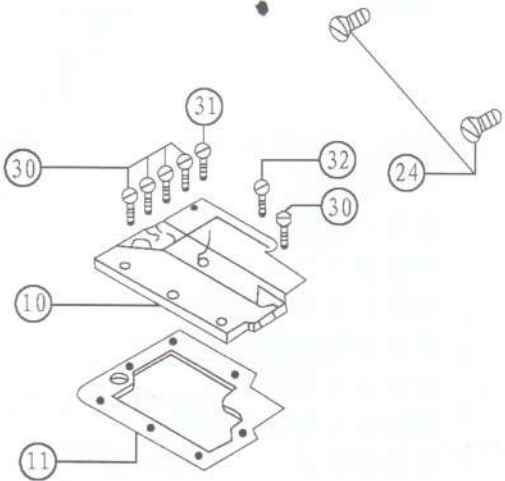
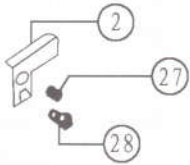
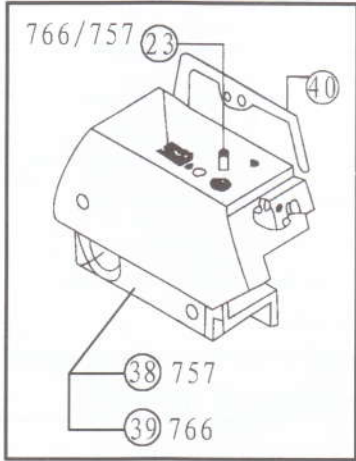
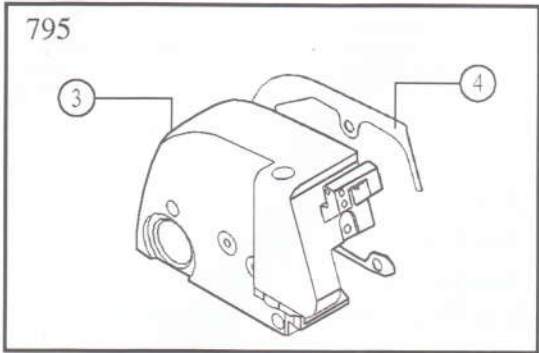
JK 768/795/766/747

User Guide

产品使用说明书

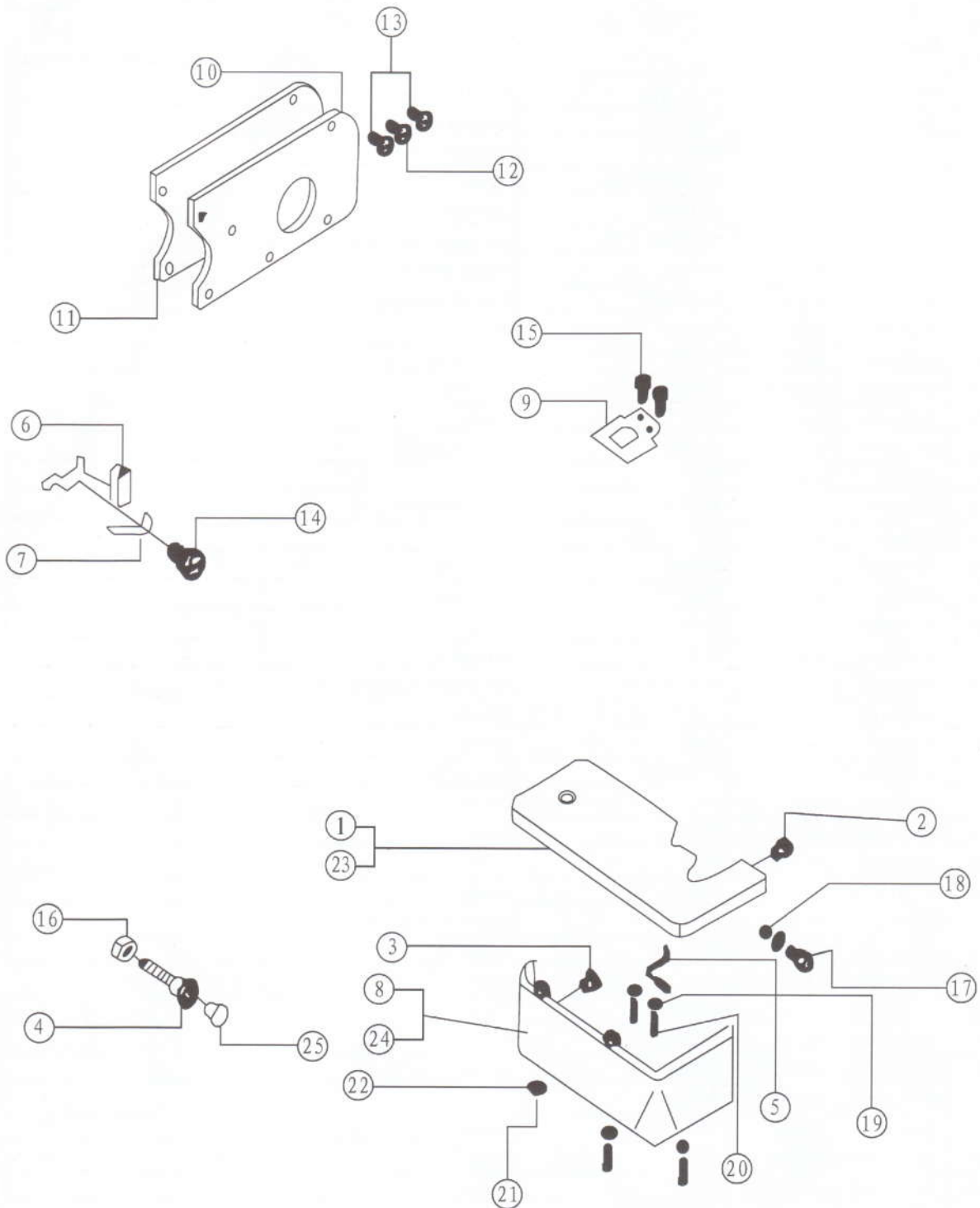
杰克缝纫机
JACK SEWING MACHINE

| [HTTP://WWW.CHINAJACK.COM](http://www.chinajack.com) |



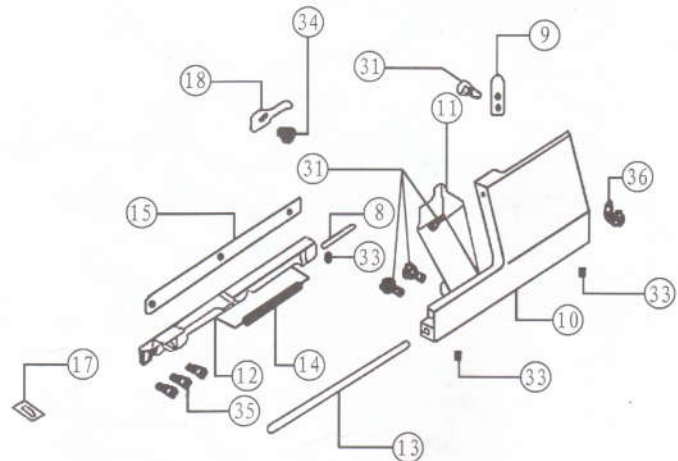
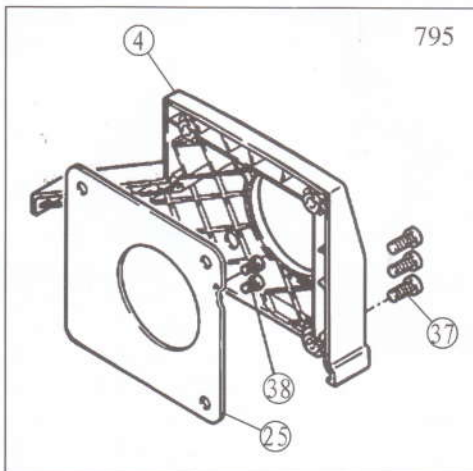
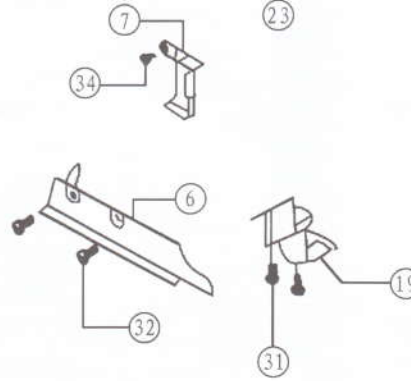
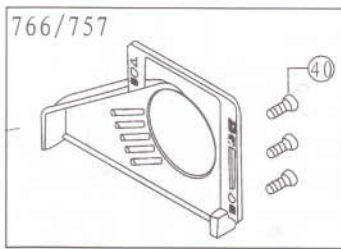
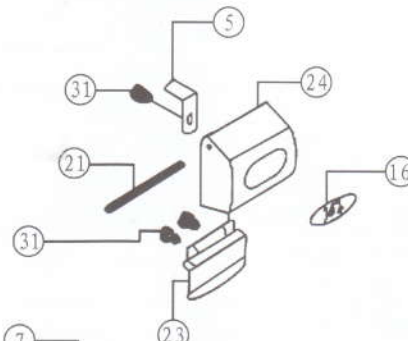
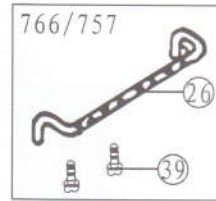
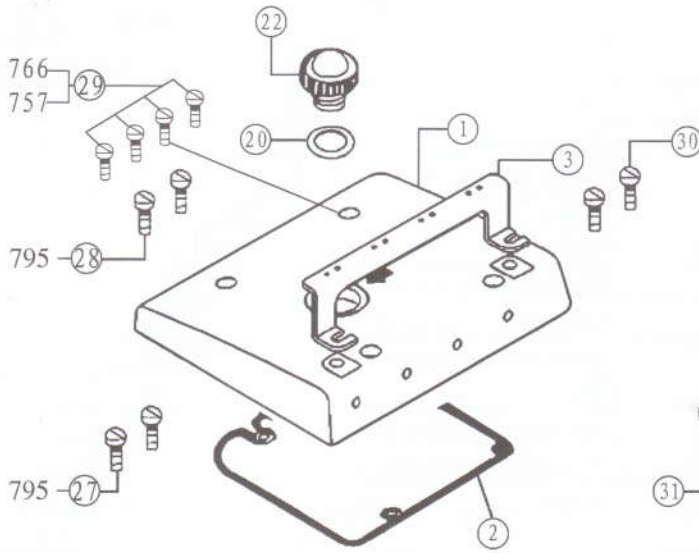
一、机壳部分 Frame Assembly

序号 NO.	件号 Part NO.	参考件号 Ref.Part NO.	名称	Description	数量 (Number)		
					三线	四线	五线
					Three-thread	Four-thread	Five-thread
1	300031	--- ---	机壳(795)	Machine frame	1	1	1
	300741	--- ---	机壳(766)	Machine frame	1	1	1
	300811	--- ---	机壳(757)	Machine frame	1	1	1
2	20112001	KA04E1	针线罩壳护板	Needle thread cover plate	1	1	1
3	300082	--- ---	左上侧盖	Left upper cover	1	1	1
4	20122001	--- ---	左上侧盖纸垫	Left upper cover pad	1	1	1
5	20101003	KA09	针杆座	Needle plate	1	1	1
6	20122002	KA14	回油胶套	Rear oil adhesive	1	1	1
7	20122003	KA22	油封	Oil seal	1	1	1
8	20112002	KA25	后盖板	Rear cover	1	1	1
9	20122005	KA26	油封	Oil cover	1	1	1
10	20101004	KA27	盖板	Cover	1	1	1
11	20122007	KA29	盖板垫	Cover washer	1	1	1
12	R03001	KA33	铆钉 2.5 × 4	Rivet	2	2	2
13	20137001	--- ---	机型牌	Machine model plate	1	1	1
14	P01003	KA39	销 B3 × 12	Pin	3	3	3
15	20112003	KA40	滤油网	Oil screen	1	1	1
16	H01003	KA42	挡圈 17	Snap ring	1	1	1
17	20122008	KA21	油封I	Oil seal I	2	2	1
18	20122009	KA24	油封II	Oil seal II	1	1	1
19	20626004	240190	油量调节销	Oil amount adjusting pin	1	1	1
20	20121019	--- ---	795Φ2.5 × Φ3.5油管	Oil tube	1	1	1
21	20127001	--- ---	弹簧	Spring	1	1	1
22	20126001	--- ---	工艺孔销	Pin	2	2	2
23	20121019	KA12	795Φ2.5 × Φ3.5油管	Oil tube	1	1	1
24	201S11028	SK292	螺钉	Screw	3	3	3
25	201S11027	SK290	螺钉	Screw	2	2	2
26	201S11029	SK299	螺钉	Screw	1	1	1
27	S10005	SK216	螺钉 M3 × 3	Screw M3 × 3	1	1	1
28	201S11033	SK357	螺钉	Screw	1	1	1
29	201S14002	SK268	螺钉	Screw	1	1	1
30	201S11016	SK257	螺钉	Screw	11	11	11
31	201S12005	SK261	螺钉	Screw	1	1	1
32	201S12006	SK280	螺钉	Screw	1	1	1
33	201S30006	SK401	螺钉	Screw	4	4	4
34	20128023	WK23	垫圈	Washer	4	4	4
35	201S13002	SK400	螺钉	Screw	4	4	4
36	201S11021	SK272	螺钉	Screw	1	1	1
37	201S11039	SK308	螺钉	Screw	1	1	1
38	300070	KA04F	前罩	Front onode cover	1	1	1
39	300080	KA04F	前罩	Front onode cover	1	1	1
40	20222001	KA06F	757/766机头罩垫	Front onode cover pad	1	1	1
41	P01003	--- ---	销	Pin	1	1	1
42	20523003	--- ---	油线	Oil wick	1	1	1



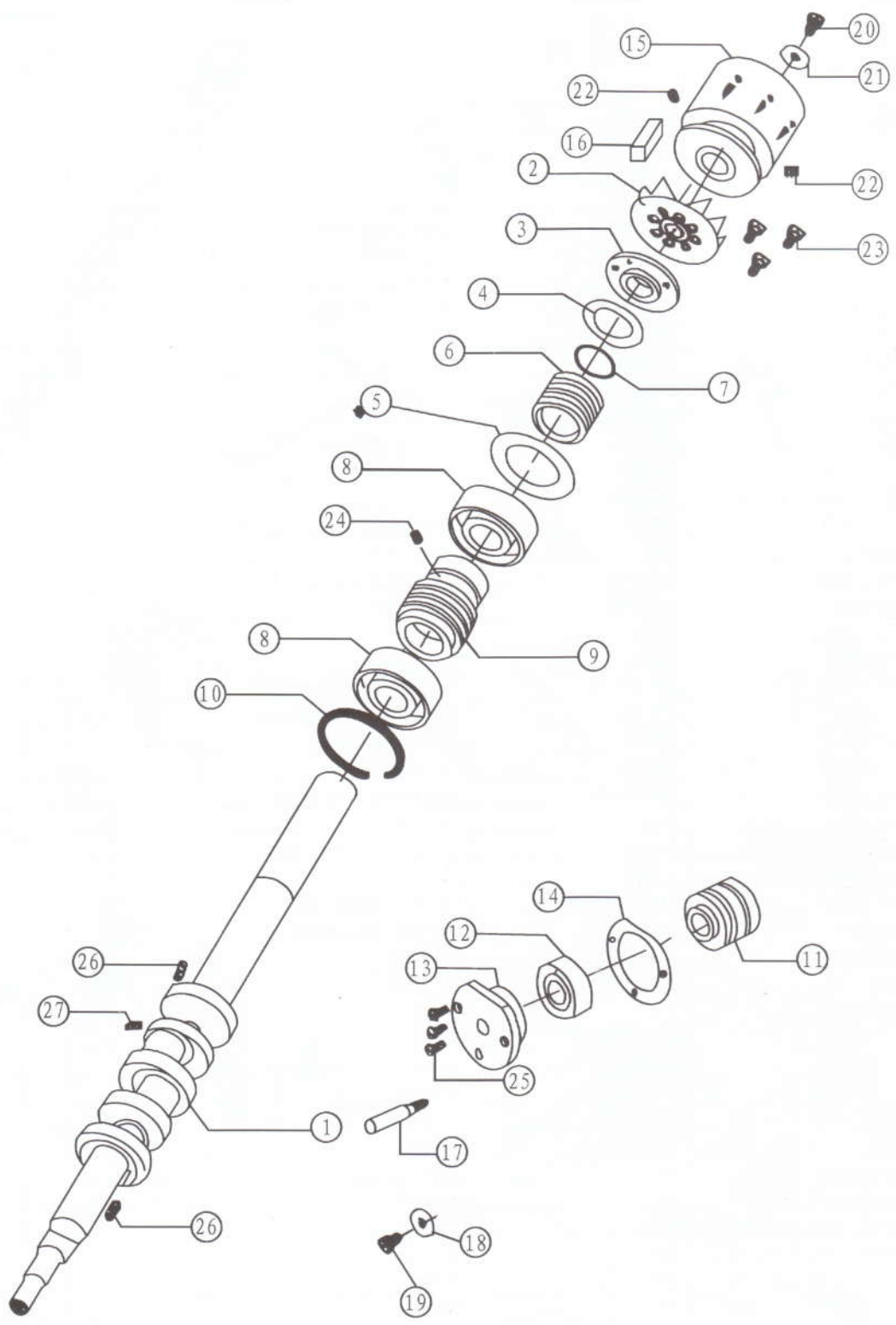
二、缝台部分 Cloth Plate Assemblies

序号 NO.	件号 Part NO.	参考件号 Ref.Part NO.	名称	Description	数量 (Number)		
					三线	四线	五线
					Three-thread	Four-thread	Five-thread
1	2011200400	KB01E	缝台盖组件	Cloth plate	1	1	0
2	20122012	KB05	胶套	Rubber bushing	1	1	1
3	20122013	KB05E	胶套	Rubber bushing	1	1	1
4	201S30011	KB06E-1	缝台盖防震螺钉	Screw	1	1	1
5	20127003	KB12B	缝台盖开启弹簧	Spring	1	1	1
6	20112011	KB15B	缝台盖扳手	Cloth plate slider cover	1	1	1
7	20127004	KB17	缝台盖簧	Cloth plate cover spring	1	1	1
8	20111001	KB22F	缝台下罩壳	Cloth plate lower plate	1	1	0
9	20111003	KB29	挡油罩	Washer	1	1	1
10	20112012	KB31D-1	上弯针密封板	Upper looper sealing plate	1	1	1
11	20122015	KB31D-2	上弯针密封板垫	Upper looper sealing plate washer	1	1	1
12	201S11018	SK262	螺钉	Screw	1	1	1
13	201S11016	SK257	螺钉	Screw	2	2	2
14	201S20003	SK279	螺钉	Screw	1	1	1
15	201S17004	SK217	螺钉	Screw	2	2	2
16	201S16003	NK26	螺母	Nut	1	1	1
17	201S30007	SK403	螺钉	Screw	1	1	1
18	201S16001	NK23	螺母	Nut	1	1	1
19	W01005	WK06	垫圈 3	Washer 3	2	2	2
20	201S11005	SK221	螺钉	Screw	2	2	2
21	201S11037	SK560	螺钉	Screw	3	3	3
22	20128019	WK05	垫圈	Washer	3	3	3
23	2011200500	KB02E	缝台盖组件	Cloth plate	0	0	1
24	20111002	KB23F	缝台下罩壳	Cloth plate lower plate	0	0	1
25	20122011	KB03	胶套	Rubber bushing	1	1	1



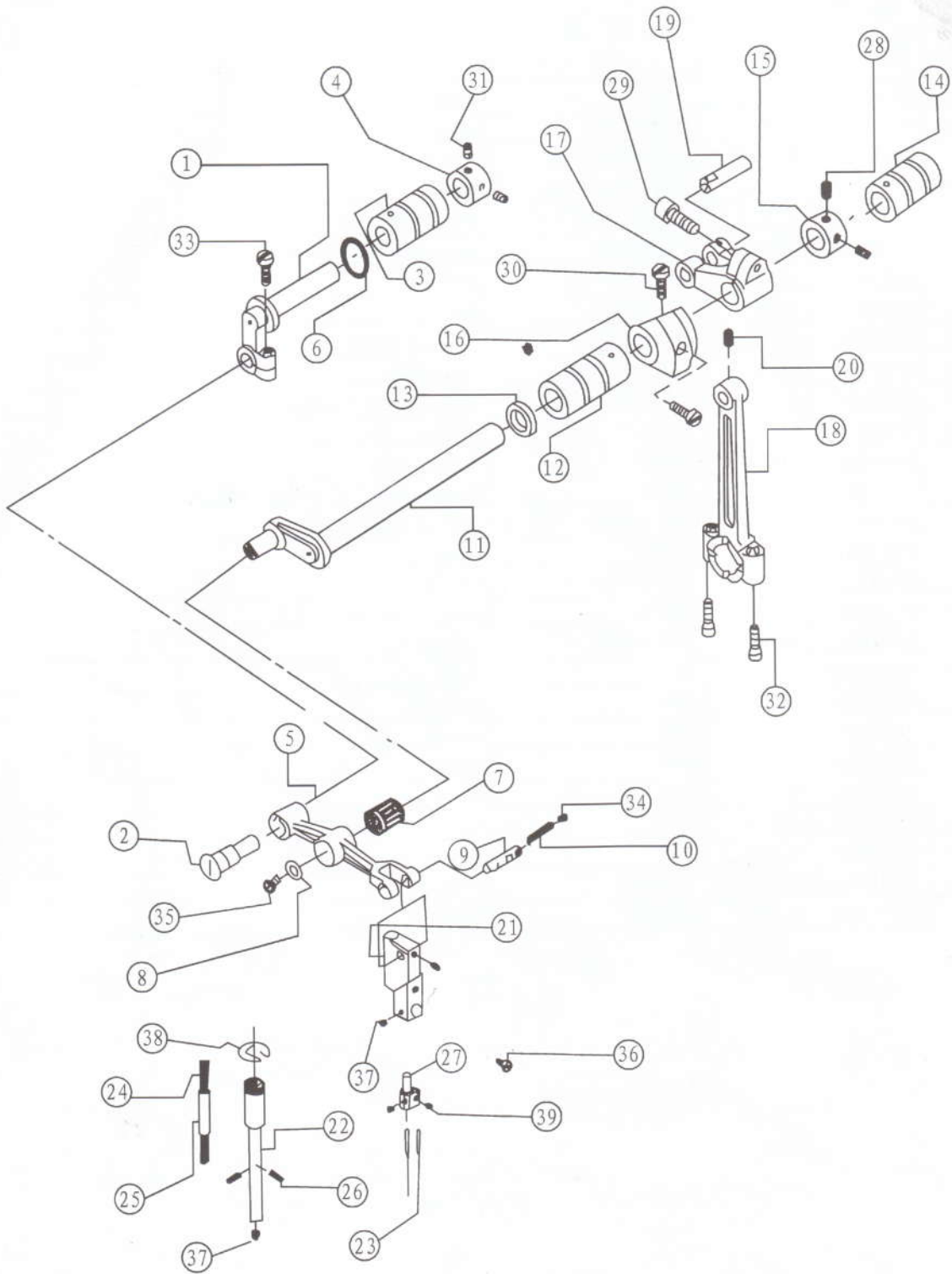
三、罩壳部分 Cover Assemblies

序号 NO.	件号 Part NO.	参考件号 Ref.Part NO.	名称	Description	数量 (Number)		
					三线	四线	五线
					Three-thread	Four-thread	Five-thread
1	300083	--- ---	上盖(795)	Upper cover	1	1	1
	300072	KC01F	上盖(757)	Upper cover	1	1	1
	300475	--- ---	上盖(795L)	Upper cover	1	1	1
	300081	--- ---	上盖(766)	Upper cover	1	1	1
2	20122016	--- ---	上盖垫(795)	Upper cover washer	1	1	1
	20322003	KC03	上盖垫(757/766)	Upper cover washer	1	1	1
3	20112013	--- ---	过线架(795)	Thread guide supporter	1	1	1
	20113030	--- ---	过线架(795L)	Thread guide supporter	1	1	1
4	20611003	209550-PB	皮带轮罩(795)	Belt cover	1	1	1
	20211001	KC09F	皮带轮罩(757)	Belt cover	1	1	1
	20311001	--- ---	皮带轮罩(766)	Belt cover	1	1	1
5	20112014	KC13	针线罩壳簧	Thread cover spring	1	1	1
6	20112015	KC15	缝料挡板	Cloth guide plate	1	1	1
7	20112016	KC17	挡油板II	Oil guide II	1	1	1
8	20126003	KC18	前罩架销	Pin	1	1	1
9	20112017	KC20	前罩簧片	Front spring	1	1	1
10	300073	KC21E	前罩	Front cover	1	1	1
11	20112018	KC22B	前罩挡板	Front cover guard	1	1	0
	20112019	KC23B	前罩挡板	Front cover guard	0	0	1
12	20101007	KC24B	前罩架	Front cover hinge	1	1	1
13	20126004	KC25B	前罩销	Hinge pin	1	1	1
14	20127005	KC28	前罩架弹簧	Front cover hinge spring	1	1	1
15	20122017	KC29	前罩架垫	Front cover hinge washer	1	1	1
16	20137002	--- ---	机头牌	Trade mark plate	1	1	1
17	20131064	KC39-4	进油指示	Oil flow window	2	2	2
18	20112020	KC36	前罩挡板簧	Front cover snap guard	1	1	1
19	20112021	KC55B	接油斗	Oil guard	1	1	1
20	20122018	KC58	油标垫	Oil level gauge washer	1	1	1
21	20126005	KC62	上罩销	Pin	1	1	1
22	20111005	--- ---	油标盖(795/766)	Oil level gauge plate	1	1	1
	20211002	KF67	油标盖(757)	Oil level gauge plate	1	1	1
23	20111006	--- ---	有机玻璃罩(795/766)	Oil sight	1	1	1
	20211003	KC69F	有机玻璃罩(757)	Oil sight	1	1	1
24	20111018	--- ---	上罩	Upper cover	1	1	1
25	20612005	209551	机壳右盖板(795)	Right frame plate	1	1	1
26	20313001	KC05E	过线架(757/766)	Thread guide supporter	1	1	1
27	201S11015	SK256	螺钉(795)	Screw	2	2	2
28	201S11025	SK278	螺钉(795)	Screw	2	2	2
29	201S11036	SK503	螺钉(757/766)	Screw	4	4	4
30	206S11005	4009	螺钉	Screw	2	2	2
31	201S11009	SK233	螺钉	Screw	9	9	9
32	201S11018	SK262	螺钉	Screw	2	2	2
33	201S15001	SK235	螺钉	Screw	3	3	3
34	201S11014	SK250	螺钉	Screw	2	2	2
35	201S11038	SK576	螺钉	Screw	3	3	3
36	H05002	FK03	卡簧	Snap spring	1	1	1
37	S01013	7176	螺钉M6 × 14	Screw	3	3	3
38	S01010	7019	螺钉 M4 × 8	Screw	2	2	2
39	S01010	7019	螺钉M4 × 8	Screw	2	2	2
40	201S11024	SK257	螺钉	Screw	3	3	3



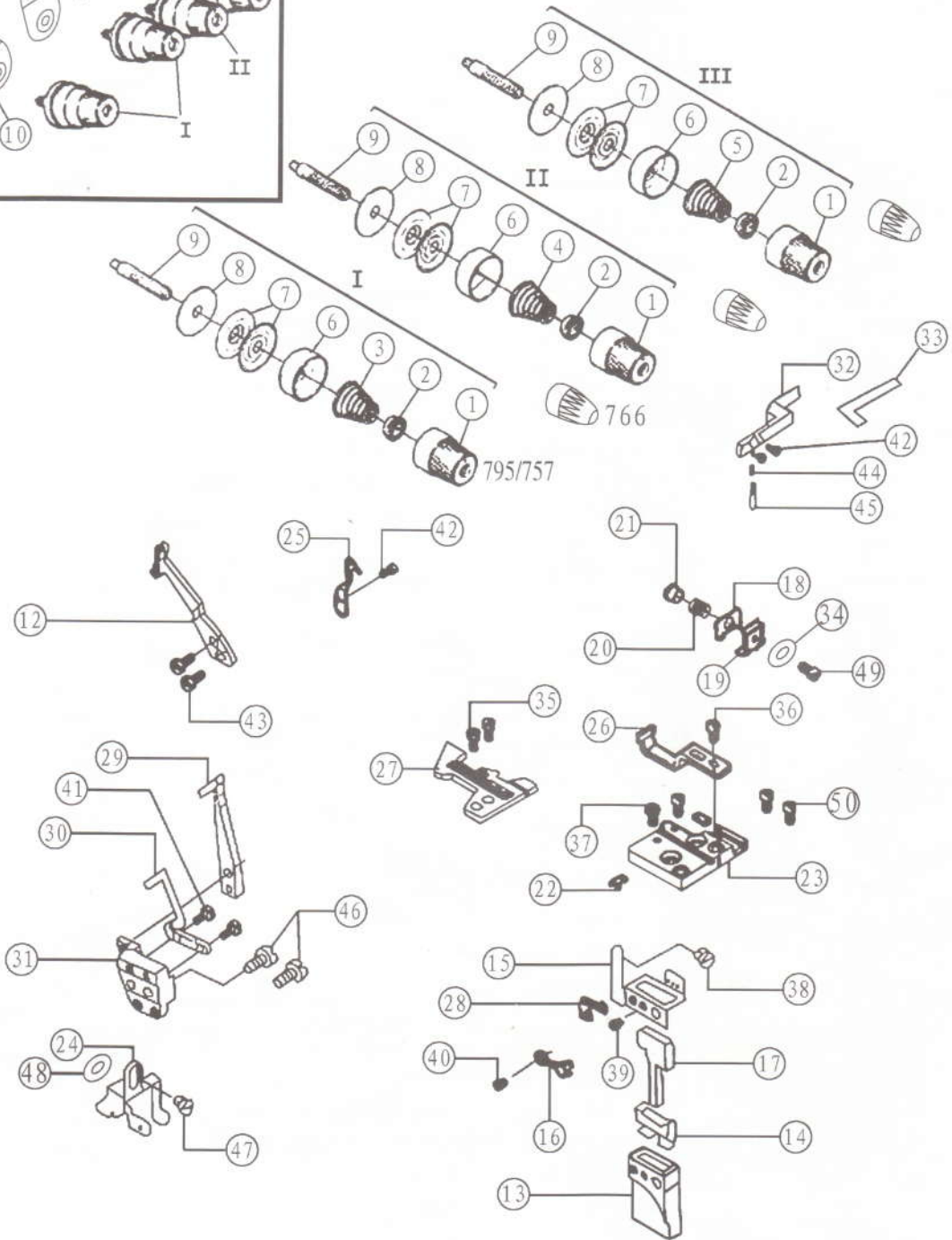
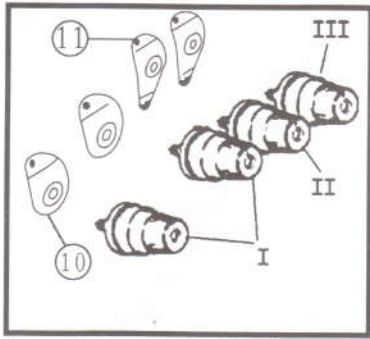
四、主轴部分 Main Shaft Assemblies

序号 NO.	件号 Part NO.	参考件号 Ref.Part NO.	名称	Description	数量 (Number)		
					三线	四线	五线
					Three-thread	Four-thread	Five-thread
1	20102001	KD01	主轴	Main shaft	1	1	1
2	20111008	KD09	冷却风扇	wheel	1	1	1
3	20101008	KD10D	滚针轴承制动盖	Rear shaft bearing cover	1	1	1
4	20122019	KD12D	滚针轴承制动垫	Washer	1	1	1
5	20128002	KD13	主轴弹簧垫圈	Main shaft spring washer	1	1	1
6	20103002	KD14	主轴中轴套	Main shaft bysgubg asm	1	1	1
7	O01003	KD15	O型圈 16 × 1.8	Seal ring	1	1	1
8	B03001	KD16	轴承 6003-Z	Bearing	2	2	2
9	20125001	KD17	油泵蜗杆	Oil pump worm	1	1	1
10	20129001	KD20	卡簧	Snap spring	1	1	1
11	20103003	KD21	主轴左套筒	Main shaft left bushing	1	1	1
12	B04001	KD22	轴承 6200-2Z	Bearing	1	1	1
13	20101009	KD27D	轴承盖	Bearing cover	1	1	0
	20101010	KD26D	轴承盖	Bearing cover <i>е отбрасывается</i>	0	0	1
14	20122020	KD28D	轴承盖垫圈	Bearing cover washer	1	1	1
15	20101044	--- ---	皮带轮	Pulley	1	1	1
16	20101012	--- ---	皮带轮方键	Key	1	1	1
17	20126006	KD33	凸轮轴	Bulgy pulley shaft	0	0	1
18	30128008	240102	摆架轴垫圈	washer	1	1	0
19	201S11040	777-5361	螺钉	Screw	1	1	0
20	201S11034	SK374	螺钉	Screw	1	1	1
21	20128024	WK24	垫圈	washer	1	1	1
22	201S15004	SK347	螺钉	Screw	2	2	2
23	201S11016	SK257	螺钉	Screw	3	3	3
24	201S14002	SK270	螺钉	Screw	1	1	1
25	201S11012	SK241	螺钉	Screw	3	3	3
26	201S15005	SK396	油瓦螺钉	Screw	2	2	2
27	201S15001	SK235	油孔螺钉	Screw	1	1	1



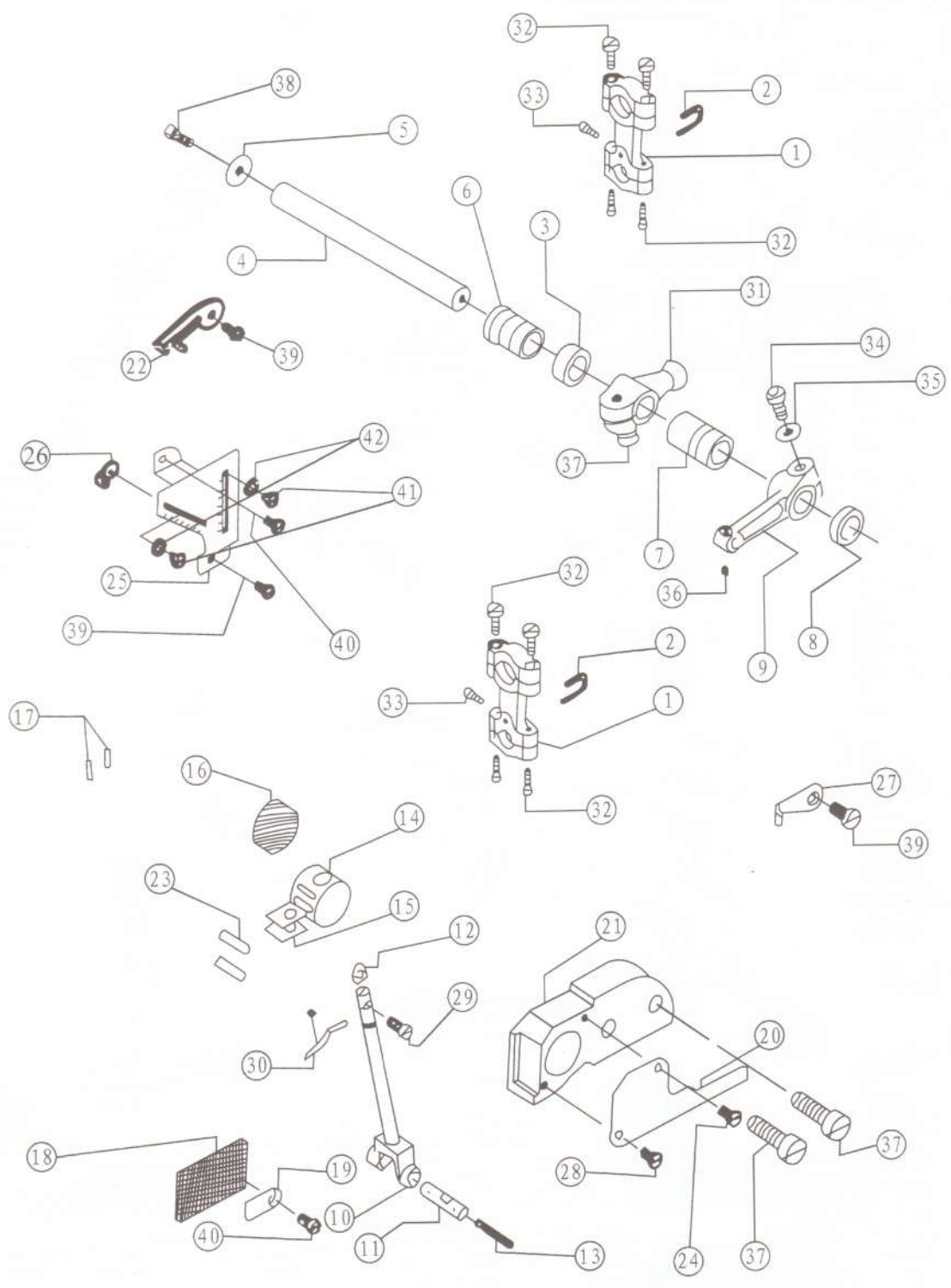
五、针杆部分 Needle Bar Assemblies

序号 NO.	件号 Part NO.	参考件号 Ref.Part NO.	名称	Description	数量 (Number)		
					三线	四线	五线
					Three-thread	Four-thread	Five-thread
1	20102002	KFO1F	针杆曲柄轴	Needle bar driving frame rock shaft	1	1	1
2	20126007	KFO2	针杆曲柄销	Eccentric shaft	1	1	1
3	20103004	KFO5	针杆轴后套筒	Needle bar shaft bushing back	1	1	1
4	20108001	KFO7	挡圈	Snap ring	1	1	1
5	20104001	KFO9	针杆传动曲柄	Throat driving crank	1	1	1
6	20122022	KF38	油封	Oil seal	1	1	1
7	B07006	KF11	滚针轴承	Needle bearing	1	1	1
8	20128004	KF12	垫圈	Washer ring	1	1	1
9	20126008	KF14	针夹导线销	Throat clip guide ping	1	1	1
10	20123021	KF16	油线	Oil wick	1	1	1
11	20102003	KF17	针杆摆轴	Throat bar rock crank	1	1	1
12	20103005	KF18	行针轴左套筒	Needle driving shaft bearing	1	1	1
13	20122021	KF19	密封圈	Seal ring	2	2	2
14	20103006	KF20	行针轴右套筒	Needle driving shaft bearing	1	1	1
15	20108002	KF21	挡圈	Snap ring	2	2	2
16	20101013	KF23	针杆摆轴平衡块	Balance block	1	1	1
17	20104002	KF26	针杆摆轴曲柄	Needle bar frame rock shaft crank	0	1	0
	20104003	KF25	针杆摆轴曲柄	Needle bar frame rock shaft crank	1	0	1
18	20105001	KF28	针杆传动连杆	Needle bar connecting rod	1	1	1
19	20126009	KF30	针杆传动连杆销	Connecting link pin	1	1	1
20	201S12005	SK261	行针传动连杆顶丝	Screw	1	1	1
21	20101014	KF32	针夹导套	Throat clip guide bushing	1	1	1
22	2010200400	--- ---	针杆组件	Needle bar	1	1	1
23	20117012	DC × 27	机针 (三四线)	Needle	1	2	0
	20117013	DC × 27	机针(五线, 70)	Needle	0	0	2
	20117014	DC × 27	机针(86)	Needle	0	0	2
24	20123021	KF35	油线	Oil wick	1	1	1
25	20121020	KF35-1	塑料管	Plastic tube	1	1	1
26	20123005	KF37	油线	Oil wick	2	2	2
27	20134002	KG142-E	针古 (三线)	Needle clamp	1	0	0
	20134001	KG131-E	针古 (四线)	Needle clamp	0	1	0
	20134003	KG153-E	针古 (五线)	Needle clamp	0	0	1
	20134004	KG155-E	针古 (厚料)	Needle clamp (for thick)	0	0	1
28	201S15003	SK293	挡圈螺钉	Snap ring screw	2	2	2
29	201S13003	SK612	螺钉	Hexagon socket screw	1	1	1
30	201S30003	SK291	平衡块螺钉	Balance block position screw	2	2	2
31	201S14002	SK293	行针传动连杆顶丝	Frame rock shaft set screw	3	3	3
32	201S20006	SK385	行针传动连杆螺钉	Shaft position screw	2	2	2
33	201S11026	SK287	针杆曲柄紧固螺钉	Screw	1	1	1
34	201S17001	SK204	油线堵油螺钉	Screw	1	1	1
35	201S17004	SK217	垫圈螺钉	Screw	1	1	1
36	S01022	SK221	垫圈螺钉	Screw	1	1	1
37	S010005	SK216	螺钉	Screw	4	4	4
38	H05008	EK01	卡簧	Snap ring	1	1	1
39	201S14001	SK216	顶针螺钉	Screw	2	2	



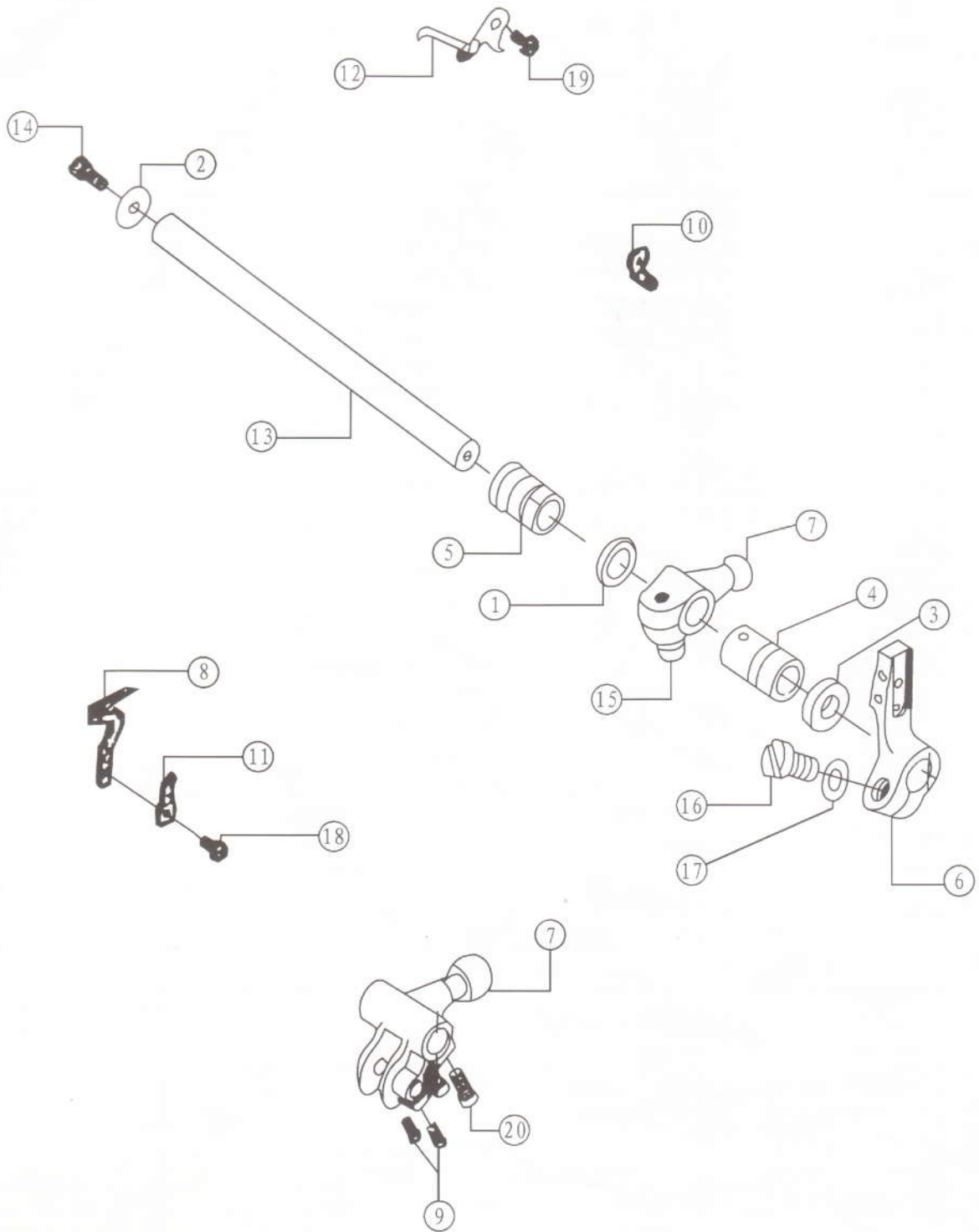
六、过线部分 Thread Guide Assemblies

序号 NO.	件号 Part NO.	参考件号 Ref.Part NO.	名称	Description	数量 (Number)		
					三线	四线	五线
					Three-thread	Four-thread	Five-thread
1	20111013	208447-UA	调压螺母(795/757)	Thread tension screw	3	4	4
	20311002	KG04F	调压螺母(766)	Thread tension screw	3	4	4
2	20111014	208448	调压止动套	Thread tension spring	3	4	4
3	20127018	201037	调压簧	Thread tension spring	1	2	2
4	20127019	201068	调压簧	Thread tension spring	1	1	1
5	20127020	201086	调压簧	Thread tension spring	1	1	1
6	20111015	208450-UA	调压止动盖	Thread tension spring	3	4	4
7	20112057	210319	夹线片	Thread tension disc	6	8	8
8	20123018	208449	夹线片垫	Thread tension disc washer	3	4	4
9	201S30016	005082A	夹线螺钉	Thread tension screw	3	4	4
10	20113001	209622	过线板	Thread guide	1	2	2
	20213001	209622	过线板(757)	Thread guide	1	2	2
11	20113002	202849	过线板	Thread guide	2	2	2
	20213002	202849	过线板(757)	Thread guide	2	2	2
12	20113003	KG11F	挑线板	Upper thread take-up	1	1	0
	20113004	KG6F	挑线板	Upper thread take-up	0	0	1
13	20111009	KG12	硅油盒	Oil box	1	1	1
14	20112022	KG13	油毡垫架	Oil felt	1	1	1
15	20113005	KG14	过线架	Thread guide	1	1	1
16	20122023	KG15D	硅油盒胶垫	Oil box washer	1	1	1
17	20123006	KG16	油毡垫	Oil felt	1	1	1
18	20113006	KG17	拦线板	Tension spring	1	1	1
19	20113007	KG18	拦线板支架	Thread controller disc holder	1	1	1
20	20127006	KG19	弹簧	Spring	1	1	1
21	20103008	KG21	拦线板导向套	Thread controller disc guide bushing	1	1	1
22	20101015	KG24-1	针板座键	Throat plate positioning rod	2	2	2
23	20101016	KG24-2D	针板座	Throat plate bracket	1	1	1
24	20113008	KG54	过线架	Thread mark guide	1	1	0
	20113009	KG42	过线架	Thread mark guide	0	0	1
25	20117002	KG59	护针档	Teat needle guard	1	1	1
26	20117003	KG471	前护针档	Front needle guard	1	0	0
	20117004	KG472	前护针档	Front needle guard	0	1	0
27	20115001	E800	针板	Needle plate	1	0	0
	20115002	E919	针板	Needle plate	0	1	0
	20115003	E982	针板	Needle plate	0	0	1
	20115004	---	针板(180)	Needle plate	1	0	0
	20115005	---	针板(181)	Needle plate	0	1	0
	20115006	---	针板(16S)	Needle plate	1	0	0
	20115007	---	针板(厚料)	Needle plate	0	0	1
	20115008	---	针板(70)	Needle plate	0	0	1
	20115009	---	针板(林子机)	Needle plate	1	0	0
28	20113010	KG25	过线	Thread guide	0	0	1
29	20117005	KG31D	护针档I	Needle guard I	0	0	1
30	20117006	KG37	护针档II	Needle guard II	0	0	1
31	20101017	KU18	护针档座	Needle guard bracket	1	1	0
	20101018	KG39	护针档座	Needle guard bracket	0	0	1
32	20101019	KG26-E	挡板	Snap plate	1	1	1
33	20122024	KG46	挡板垫	Snap plate washer	1	1	1
34	W01011	KF31	垫圈	Washer	1	1	1
35	201S17005	SK260	针板螺钉	Throat screw	2	2	2
36	201S11008	SK230	前护针板螺钉	Front needle snap screw	1	1	1
37	201S11029	SK299	针板座螺钉	Throat plate bracket screw	2	2	2
38	201S11014	SK250	过线架螺钉	Thread guide holder screw	1	1	1
39	201S11001	SK207	硅油盒固定螺钉	Oil box set screw	1	1	1
40	201S20005	SK359	胶垫固定螺钉	Oil box set screw	1	1	1
41	201S11003	SK209	后护针螺钉	Rear needle guard screw	2	2	2
42	201S12009	SK242	护针档螺钉	Needle guard screw	3	3	3
43	201S11009	SK233	挑线螺钉	Thread take up screw	2	2	2
44	201S15001	SK235	挡板螺钉II	Snap plate screw II	1	1	1
45	201S30010	SK236	挡板定位螺钉	Snap plate set screw	1	1	1
46	201S11022	SK275	护针档座螺钉	screw	2	2	2
47	201S11018	SK262	过线螺钉	screw	1	1	1
48	20128030	KQ42	垫圈	Washer	1	1	1
49	S01006	SK221	螺钉	screw	1	1	1
50	20122011	KB05	胶套	Rubber bushing	2	2	2



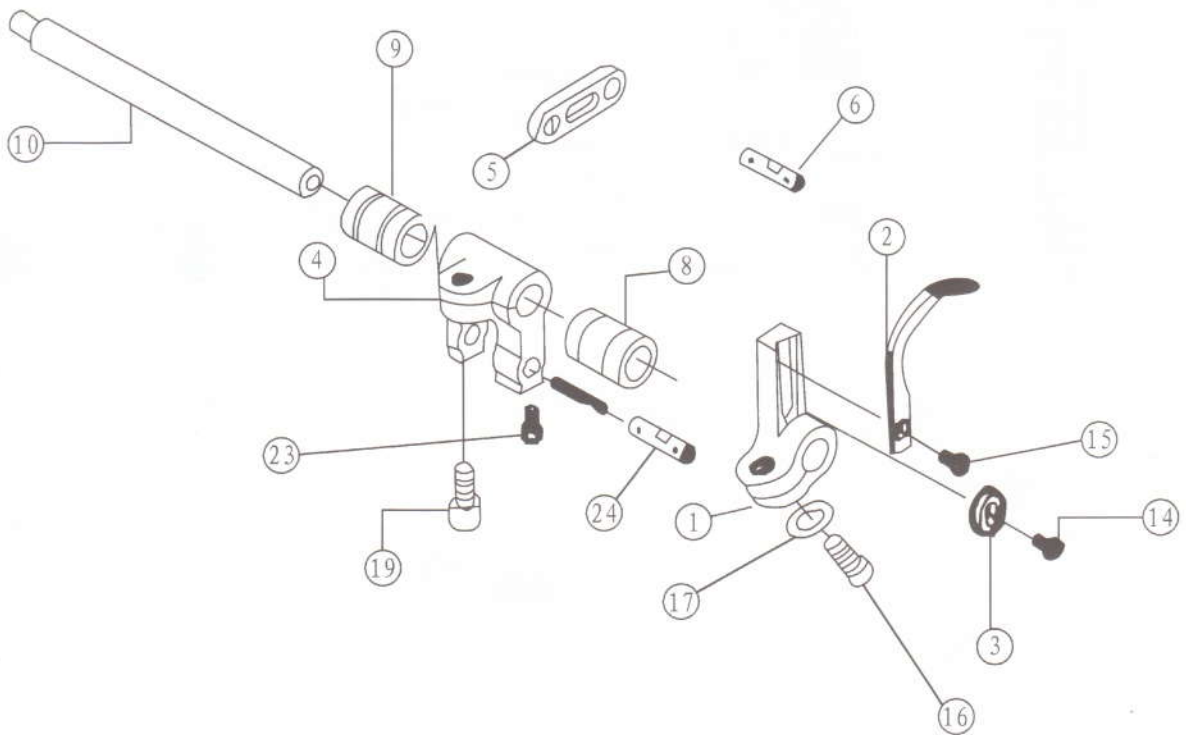
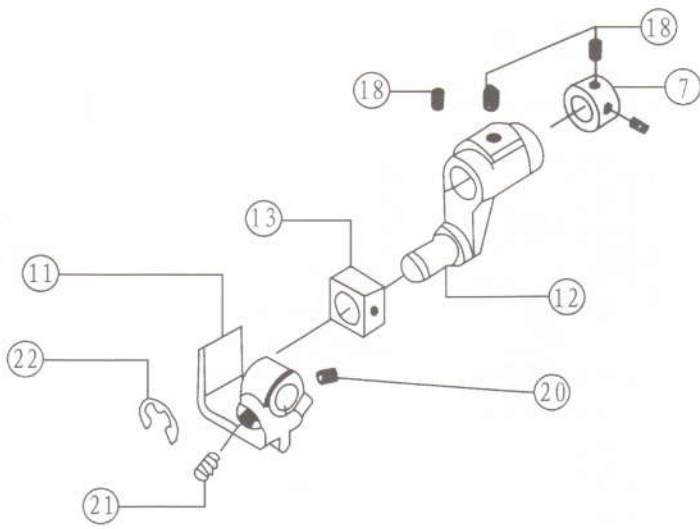
七、上弯针部分 Upper Loper Assemblies

序号 NO.	件号 Part NO.	参考件号 Ref.Part NO.	名称	Description	数量 (Number)		
					三线	四线	五线
					Three-thread	Four-thread	Five-thread
1	20105002	KJ01B	弯针连杆	Looper link	2	2	2
2	20126010	KJ06B	弯针连杆摆架	Looper link holder	2	2	2
3	20128005	KJ13F	厚垫圈	Thickness washer	1	1	1
4	20102006	KJ15	上弯针轴	Upper looper shaft	1	1	1
5	20128007	KJ16	大垫圈	Big washer	1	1	1
6	20103009	KJ19F	上弯针轴后套筒	Upper looper shaft rear bushing	1	1	1
7	20103010	KJ20	上弯针轴前套筒	Upper looper shaft front bushing	1	1	1
8	20122025	KJ21	上弯针轴油封	Upper looper shaft oil seal	1	1	1
9	20104004	KJ22	上弯针轴曲柄	Upper looper shaft crank	1	1	1
10	20104005	KJ26	上弯针摇杆	Upper looper shaft bar	1	1	1
11	20126011	KJ27	摇杆销	Connecting rod shaft pin	1	1	1
12	20112023	KJ28	摇杆垫片	Washer	1	1	1
13	20123021	KJ29	油线	Oil wick	1	1	1
14	20109001	KJ30F	上弯针轴导块	Upper looper slide block	1	1	1
15	20123008	KJ33	油毡	Oil felt	2	2	2
16	20123009	KJ34	油毡	Oil felt	1	1	1
17	20113013	KJ58	穿线管	Thread tube	2	2	2
18	20112024	KJ39F	滤油板	Screen oil plate	1	1	1
19	20112025	KJ40F	压板	Felt plate	1	1	1
20	20112026	KJ41	导架座挡板	Thread holder snap plate	1	1	1
21	20101020	KJ42E	上弯针轴导架座	Upper looper shaft slide bar bracket	1	1	1
22	20113014	KJ68	两眼过线板	Tow for thread guide	1	1	1
23	20523003	KJ44	油线	Oil wick	1	1	1
24	201S11005	SK221	导架座挡板螺钉	Screw	1	1	1
25	20112027	KJ61D	调线刻度板	Thread amount regulating plate	1	1	1
26	20113011	KJ63	上弯针过线	Upper looper thread guard	1	1	1
27	20113012	KJ66D	上弯针轴过线板	Upper looper shaft thread plate	1	1	1
28	201S17006	SK451	导架座挡板螺钉	Screw	1	1	1
29	201S11007	SK229	上弯针紧固螺钉	Upper looper set screw	1	1	1
30	20117007	LP26	上弯针	Looper	1	1	1
31	20104006	KJ11B-E	上弯针摆动曲柄	Upper looper crank bearing	0	1	1
	20104007	KG09B-E	上弯针摆动曲柄	Upper looper crank bearing	1	0	0
32	201S20006	SK385	连杆螺钉	Shaft screw	8	8	8
33	201S11035	SK408	弯针连杆止动螺钉	Screw	2	2	2
34	201S12007	SK298	上弯针轴曲柄螺钉	Upper looper crank screw	1	1	1
35	20128021	WK11	垫圈	Washer	1	1	1
36	S10005	SK216	上弯针轴曲柄顶丝	Link pin set screw	1	1	1
37	201S13003	S102	摆动曲柄螺钉	Nexagon socket screw	3	3	3
38	201S12005	SK261	上弯针轴螺钉	Upper looper shaft screw	1	1	1
39	201S11016	SK257	过线架螺钉	Thread guide screw	3	3	3
40	201S11014	SK262	调线刻度板螺钉	Screw	2	2	2
41	201S11006	SK223	弯针过线螺钉	Thread guide screw	2	2	2
42	20128020	WK09	弯针过线垫圈	Thread guide washer	2	2	2



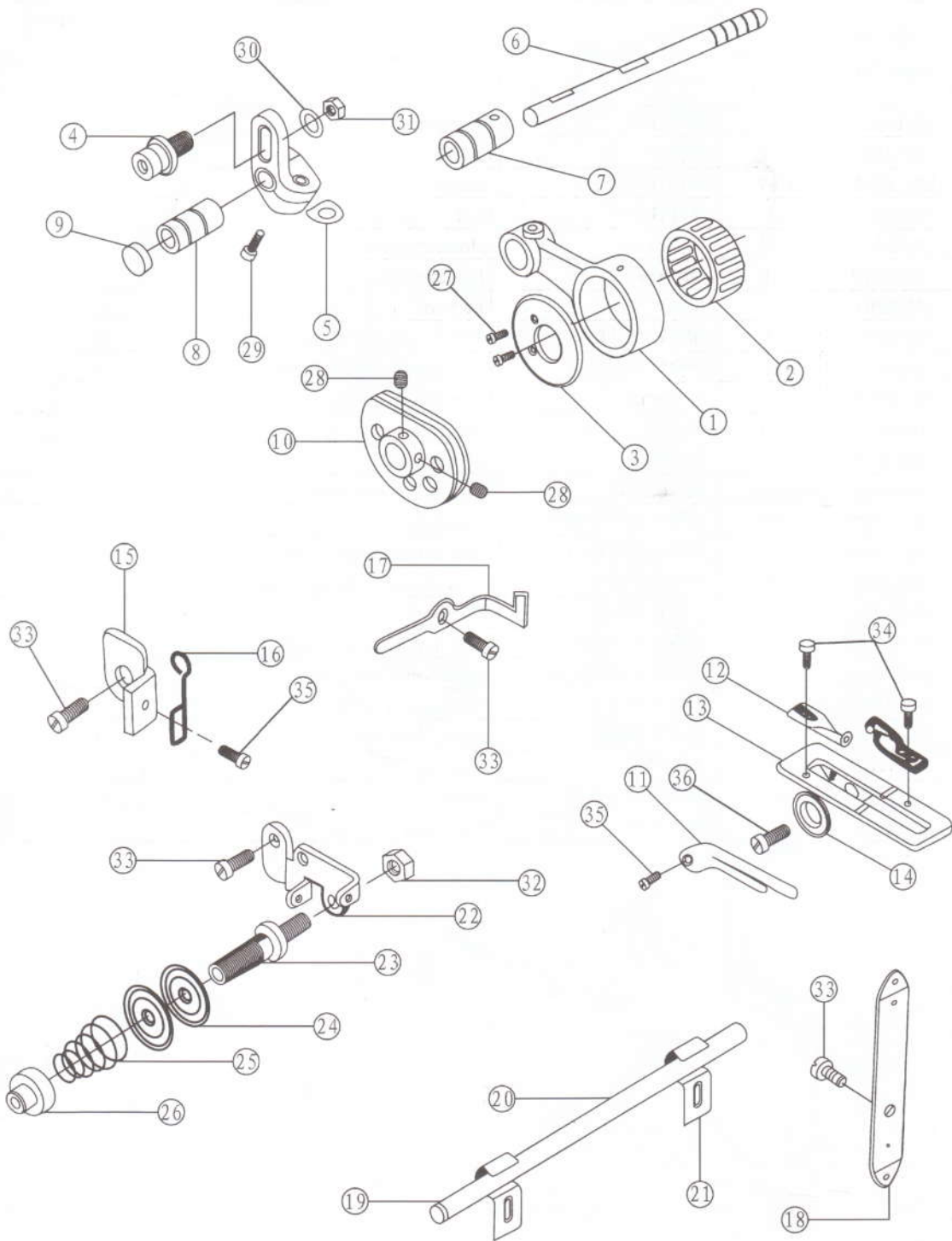
八、下弯针部分 Lower Looper Assemblies

序号 NO.	件号 Part NO.	参考件号 Ref.Part NO.	名称	Description	数量 (Number)		
					三线	四线	五线
					Three-thread	Four-thread	Five-thread
1	20128009	KJ13F	厚垫圈	Washer	1	1	1
2	20128007	KJ16	下弯针轴垫圈	Lower looper shaft washer	1	1	1
3	20622019	KL20	油封	Oil seal	1	1	1
4	20103011	KL21	下弯针前套筒	Lower looper front bushing	1	1	1
5	20103015	KN11	横轴右套筒	Left horizontal shaft bushing	1	1	1
6	20104008	KL23-3	下弯针架	Lower looper holder	1	1	0
	20104025	--- ---	下弯针架	Lower looper holder	0	0	1
7	20104009	KL612	下弯针摆动曲柄	Lower looper crank	1	1	0
	20104010	KL09B	下弯针摆动曲柄	Lower looper crank	0	0	1
8	20117008	KL25	下弯针	Lower looper	1	1	0
	20117009	--- ---	下弯针	Lower looper	0	0	1
9	201S11007	SK230	曲柄螺钉	Crank screw	0	0	2
10	20113015	KL38	过线	Thread guide	1	1	1
11	20113016	KL43	下弯针过线	Lower looper thread guide	1	1	1
12	20113017	KL46	下弯针三孔过线	Lower looper3-thread guide	1	1	1
13	20102007	KL57	下弯针轴	Lower looper shaft	1	1	0
	20102008	KL16	下弯针轴	Lower looper shaft	0	0	1
14	201S12005	SK261	下弯针轴螺钉	Low looper shaft screw	1	1	1
15	201S13003	SK612	摆动曲柄螺钉	Crank screw	1	1	1
16	201S12007	SK298	下弯针架螺钉	Lower looper holder screw	1	1	1
17	20128021	WK11	下弯针架垫圈	Lower looper holder washer	2	2	2
18	206S11002	SK241	下弯针螺钉	Lower looper	1	1	1
19	201S11016	SK257	下弯针过线螺钉	Thread guide screw	1	1	1
20	301S30013	200152	曲柄螺钉	Crank screw	0	0	



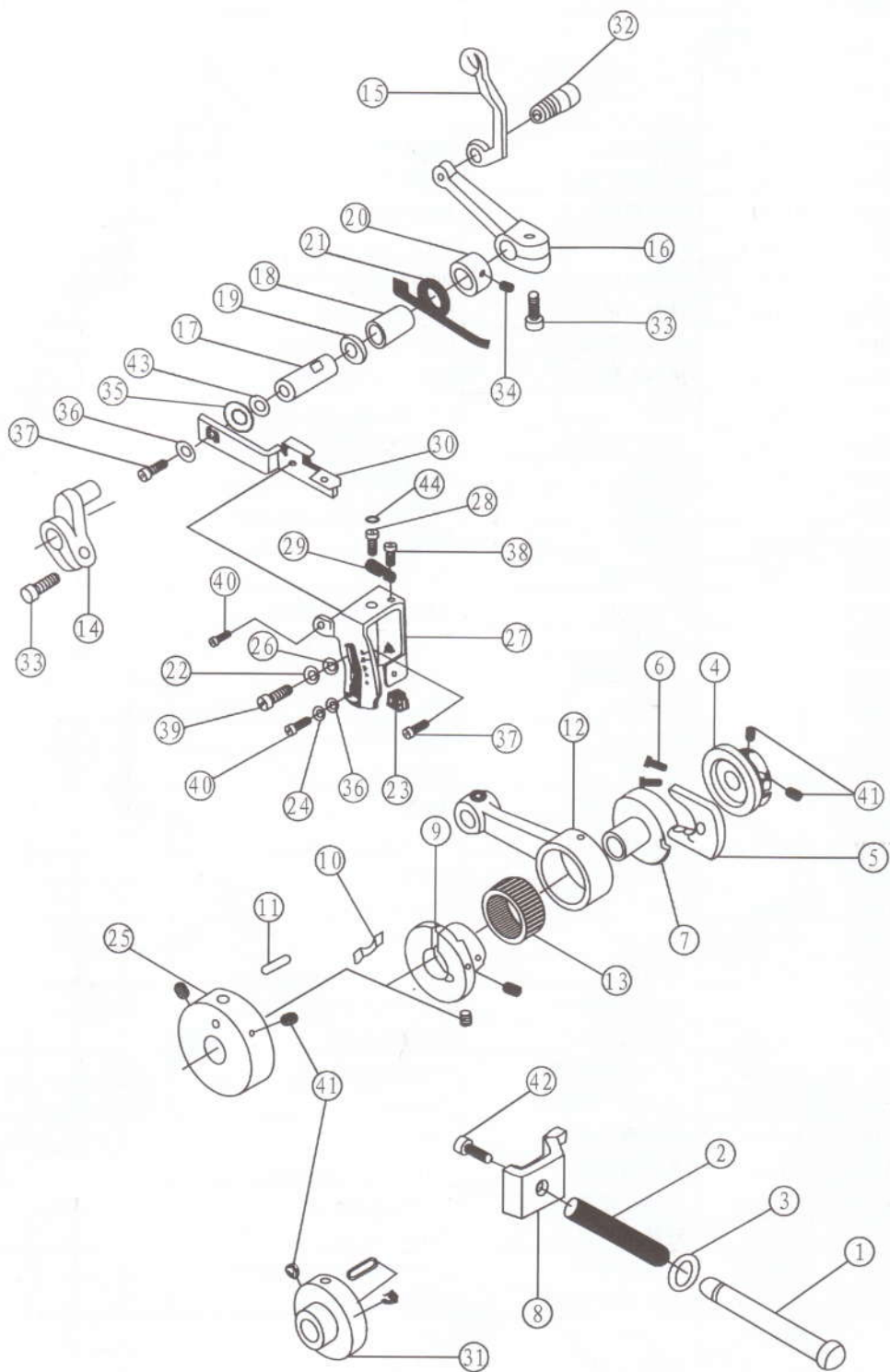
九、前弯针部分 Front Looper Assemblies

序号 NO.	件号 Part NO.	参考件号 Ref.Part NO.	名称	Description	数量 (Number)		
					三线	四线	五线
					Three-thread	Four-thread	Five-thread
1	20104011	KM01	前弯针架	Front looper shaft holder	0	0	1
2	20117010	KM04	前弯针	Front looper	0	0	1
3	20128014	KM06	前弯针调节垫片	Washer	0	0	1
4	20104012	KM08	前弯针曲柄	Front looper crank	0	0	1
5	20609017	KM11	调节板	Regulating plate	0	0	1
6	20126013	KM12	调节板销	Regulating plate pin	0	0	2
7	20108001	KF07	挡圈	Snap ring	0	0	1
8	20103013	KM17	前弯针轴前套筒	Front looper shaft front bushing	0	0	1
9	20103014	KM18	前弯针轴后套筒	Front looper shaft rear bushing	0	0	1
10	20102009	KM26	前弯针轴	Front looper shaft	0	0	1
11	20101021	KM27D	驱动座	Driving lever	0	0	1
12	20104013	KM28	驱动曲柄	Driving crank	0	0	1
13	20109002	KM29D	前弯针滑块	Front looper slide block	0	0	1
14	201S11003	SK209	前弯针调节垫螺钉	Thread guide screw	0	0	1
15	201S11008	SK230	前弯针固定螺钉	Front looper guide set screw	0	0	1
16	201S12007	SK298	前弯针架螺钉	Front looper holder set screw	0	0	1
17	20128021	WK11	下弯针架垫圈	Washer	0	0	1
18	201S12002	SK251	前弯针曲柄螺钉	Front looper crank screw	0	0	4
19	201S13003	SK612	前弯针曲柄固定螺钉	Crank holder set screw	0	0	1
20	201S14002	SK270	驱动曲柄顶丝	Driving lever set screw	0	0	1
21	201S30009	SK499	驱动曲柄螺钉	Driving lever set screw	0	0	1
22	20129003	EK03	卡簧	Snap ring	0	0	1
23	201S12005	SK261	曲柄销固定螺钉	Screw	0	0	1
24	20126022	--- ---	调节板销	Regulating plate pin	0	0	1



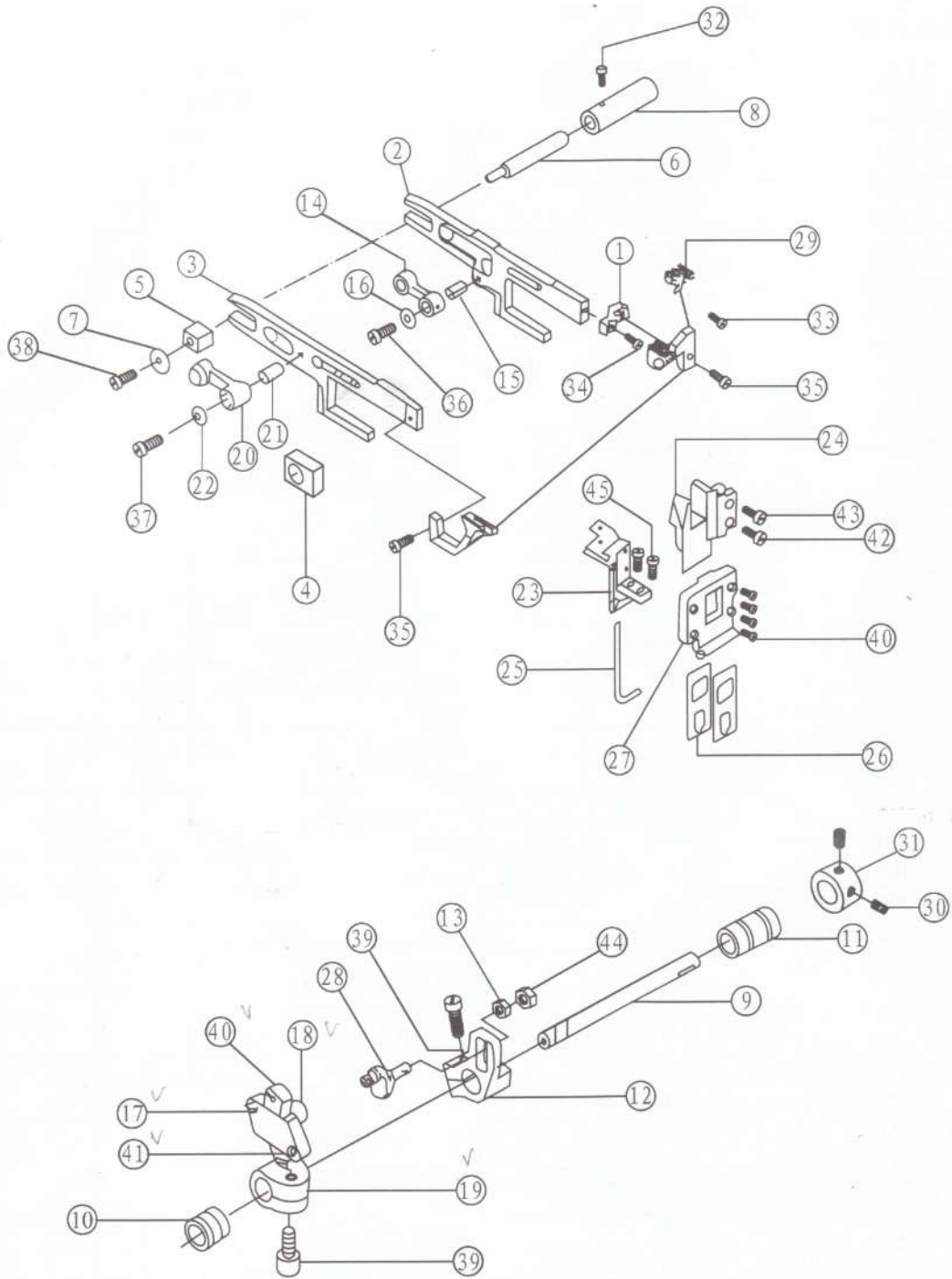
十、打线凸轮部分 Cam Assemblies

序号 NO.	件号 Part NO.	参考件号 Ref.Part NO.	名称	Description	数量 (Number)		
					三线	四线	五线
					Three-thread	Four-thread	Five-thread
1	20105003	KN01	横轴连杆	Horizontal shaft link	0	0	1
2	20124002	KN02	连杆滚针轴承	Needle bearing	0	0	1
3	20112028	KN03	轴承挡圈	Snap ring	0	0	1
4	20126014	KN05	曲柄销	Pin	0	0	1
5	20104014	KN08	横轴曲柄	Horizontal shaft crank	0	0	1
6	20102010	KN10	横轴	Horizontal shaft	0	0	1
7	20103015	KN11	横轴右套筒	Left horizontal shaft bushing	0	0	1
8	20103016	KN12	横轴左套筒	Right horizontal shaft bushing	0	0	1
9	20122028	KN13	油封	Oil seal	0	0	1
10	2011301800	KM8	打线凸轮组件	Looper thread take-up cam	0	0	1
11	20113020	KN20	导线板	Thread guide	0	0	1
12	20113021	KN22	过线板	Thread	0	0	2
13	20112029	KN24	导线架	Bracket	0	0	1
14	20128015	KN26	波形垫圈	Flat spring	0	0	1
15	20112030	KN27	限位板	Astrict position plate	0	0	1
16	20113022	KN29	过线环	Thread guide ring	0	0	1
17	20113023	KN32	二眼过线板	Thread guide	0	0	1
18	20113024	KN34	后导线板	Thread guide	0	0	1
19	20113025	KN36-1	导线管套	Thread pipe cover	0	0	2
20	20113026	KN36-2	过线管	Thread pipe	0	0	1
21	20112031	KN37	过线板压板	Bracket	0	0	2
22	20112032	KN38	压线器架	Bracket	0	0	1
23	201S30012	KN40	夹线挺	Screw	0	0	1
24	20112033	KN42	夹线片	Tension disc	0	0	2
25	20127007	KN43	夹线簧	Spring	0	0	1
26	201S16007	KN44	调压螺母	Nut	0	0	1
27	201S17001	SK205	轴承挡圈螺钉	Bearing snap ring screw	0	0	2
28	201S14001	SK216	打线凸轮顶丝	Cam set screw	0	0	2
29	201S13003	SK612	横轴曲柄螺钉	Crank set screw	0	0	1
30	20128033	WK11	曲柄调节销垫圈	Washer	0	0	1
31	201S16002	WK04	曲柄调节螺母	Nut	0	0	1
32	201S16003	NK26	夹线器架螺母	Nut	0	0	1
33	201S11014	SK257	夹线器架螺钉	Screw	0	0	4
34	201S11001	SK207	过线板螺钉	Thread guide plate screw	0	0	2
35	201S11009	SK233	导线板螺钉	Thread guide plate screw	0	0	2
36	201S20001	SK264	导线架固定螺钉	Screw	0	0	1



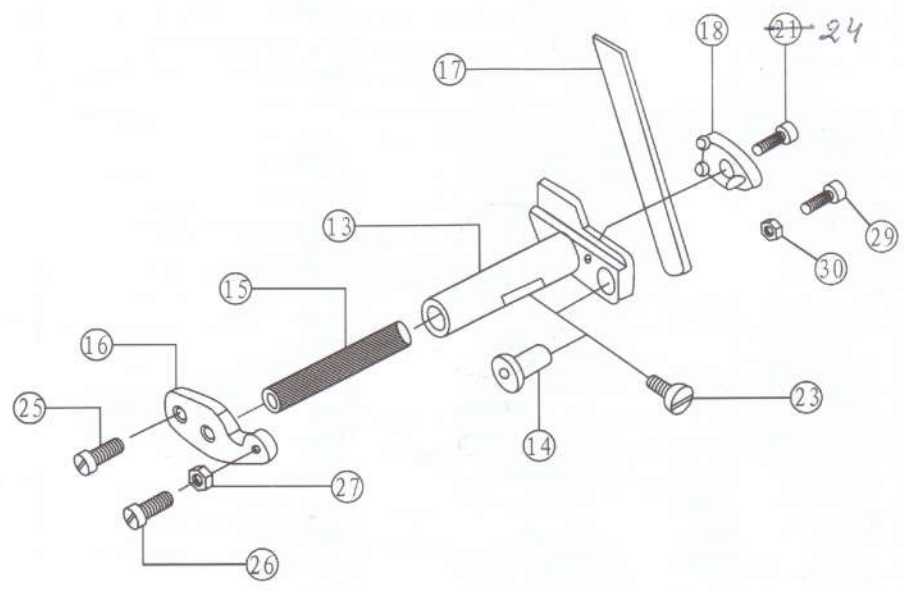
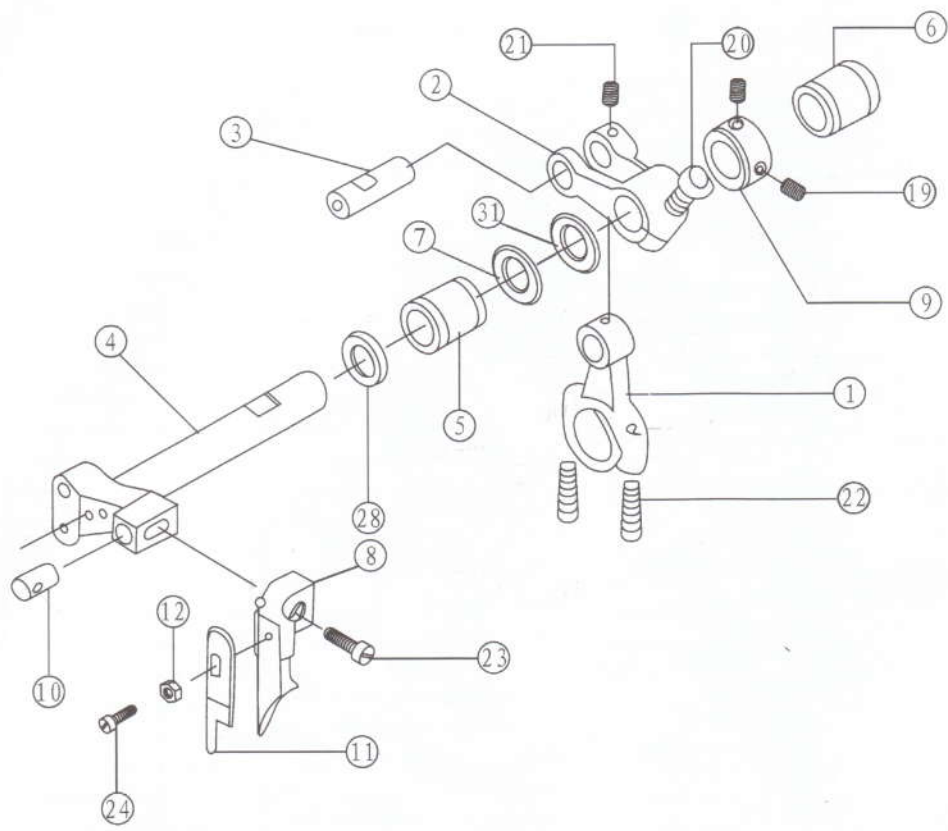
十一、差动送布部分 Different Feed Assemblies

序号 NO.	件号 Part NO.	参考件号 Ref.Part NO.	名称	Description	数量 (Number)		
					三线	四线	五线
					Three-thread	Four-thread	Five-thread
1	20102011	KP01	送布调节器杆	Stitch length regulating shaft	1	1	1
2	20127008	KP02	针距调节器簧	Spring	1	1	1
3	O01016	KP03	送布调节器杆油封	Oil washer	1	1	1
4	2011000100	KP05D	针距调节凸轮组件	Stitch length regulation cam asm	1	1	1
5	20109004	KP06D	针距调节滑块	Stitch length regulating block	1	1	1
6	20127009	KP08	针距调节滑块压簧	Stitch length regulating block spring	2	2	2
7	20110002	KP09D	针距凸轮	Stitch length cam	1	1	1
8	20112034	KP11	针距调节压板	Stitch length regulating plate	1	1	1
9	20110003	KP13D	送布凸轮	Feed length cam	1	1	1
10	20112035	KP15	送布凸轮簧	Feed cam spring	1	1	1
11	P01004	KP18-1	送布凸轮座销	Feed cam pin	1	1	1
12	20105004	KP21	送布连杆	Feed link	1	1	1
13	B07007	KP22	滚动轴承	Feed rod rolling pin bearing	1	1	1
14	20104015	KP23	送布曲柄	Feed crank	1	1	1
15	20105005	KP25	差动连杆	Differential link	1	1	1
16	20104016	KP28	差动曲柄	Differential crank	1	1	1
17	20102012	KP30B	差动轴	Differential shaft	1	1	1
18	20103017	KP31	差动轴套筒	Differential shaft bearing	1	1	1
19	20122029	KP32	油封	Oil seal	1	1	1
20	20108005	KP34	挡圈	Snap ring	1	1	1
21	20127010	KP35D	弹簧	Spring	1	1	1
22	201S16008	KP39	调节螺母	Washer	1	1	1
23	20109005	KP43	调节滑块	Regulating block	1	1	1
24	20128027	KP46	垫圈	Washer	1	1	1
25	20110004	KP59	送布凸轮座	Feed bam	1	1	0
26	20128028	KP60	垫圈	Washer	1	1	1
27	20112036	KP62	差动调节架	Differential regulation holder	1	1	1
28	201S30013	KP63	调节螺钉	Regulating screw	1	1	1
29	20127011	KP64	卡簧	Regulating screw spring	1	1	1
30	20112037	KP65B	差动调节杆	Differential regulating link	1	1	1
31	2010402300	KP18-2	曲柄连杆凸轮	Crank link cam	0	0	1
32	201S20008	SK452	差动连杆螺钉	Differential link screw	1	1	1
33	201S13003	SK612	差动曲柄螺钉	Differential crank screw	2	2	2
34	201S12002	SK251	挡圈螺钉	Snap ring screw	1	1	1
35	20128024	WK24	垫圈	Washer	1	1	1
36	W01006	WK01	垫圈	Washer	2	2	2
37	201S11016	SK262	差动调节杆螺钉	Differential position screw	1	1	1
38	201S11005	SK221	卡簧螺钉	Spring screw	1	1	1
39	201S30005	SK399	差动调节螺钉	Differential regulating screw	1	1	1
40	201S11018	SK262	差动调节架螺钉	Differential regulating screw	1	1	1
41	201S14002	SK215	送布凸轮调节螺钉	Screw	4	4	4
42	201S12005	SK261	针距调节压板螺钉	Screw	1	1	1
43	20122038	---	差动轴密封圈	Washer	1	1	1
44	20137004	---	旋向标牌	Mard plate	1	1	1



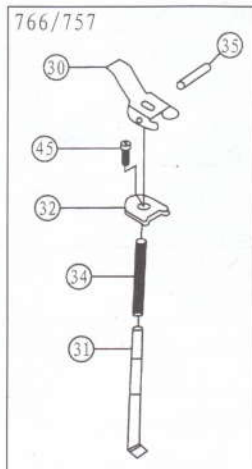
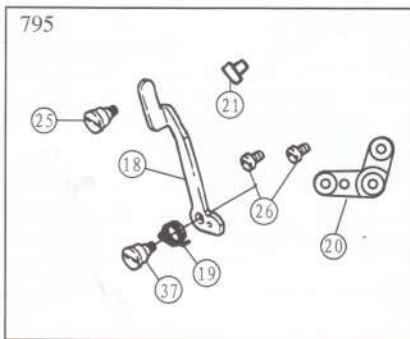
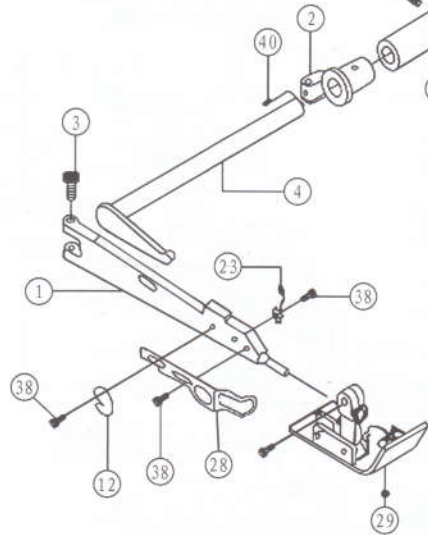
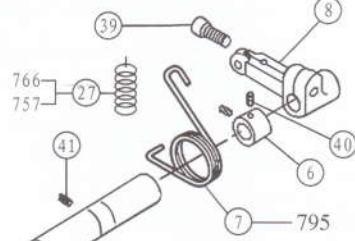
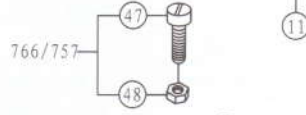
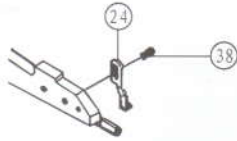
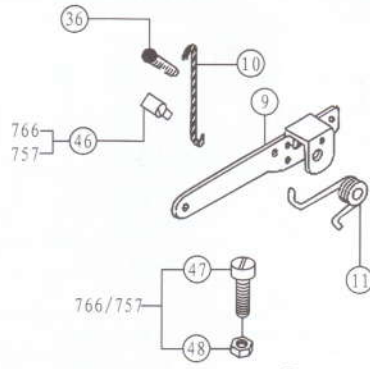
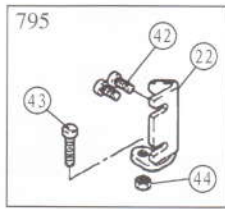
十二、抬牙送布部分 Feed Dog Assemblies

序号 NO.	件号 Part NO.	参考件号 Ref.Part NO.	名称	Description	数量 (Number)		
					三线	四线	五线
					Three-thread	Four-thread	Five-thread
1	20109006	KQ05	牙连接板	Dog link plate	1	1	1
2	20106001	KQ07	送布牙架	Feed dog holder	1	1	1
3	20106002	KQ10	差动牙架	Differential feed dog holder	1	1	1
4	20109007	--- ---	抬牙滑块	Feed dog lift slide block	1	1	1
5	20109008	KQ14	差动送布滑块	Differential feed slide block	1	1	1
6	20102013	KQ15	滑块偏心轴	Slide block eccentric shaft	1	1	1
7	20112038	KQ17	差动送布滑块偏心垫	Slide block eccentric washer	1	1	1
8	20103018	KQ19	滑块偏心轴套筒	Slide block eccentric shaft bushing	1	1	1
9	20102014	KQ21	送布轴	Feed shaft	1	1	1
10	20103019	KQ24	送布轴左套筒	Left feed shaft bushing	1	1	1
11	20103020	KQ25	送布轴右套筒	Right feed shaft bushing	1	1	1
12	20104017	KQ28	送布调节曲柄	Feed regulating crank	1	1	1
13	20128021	KQ31	垫圈	Washer	1	1	1
14	20105006	KQ33	送布牙架连杆	Feed dog holder link	1	1	1
15	20103021	KQ34	送布牙架连杆套	Feed dog holder link bushing	1	1	1
16	20128029	KQ35	送布牙架连杆套垫圈	Differential feed dog holder link bushing	1	1	1
17	20112039	KQ37-1	曲柄滑块盖板	Crank slide block cover	1	1	1
18	20109010	KQ37-2	曲柄滑块	Crank slide block	1	1	1
19	20104018	KQ37-3	差动牙调节曲柄	Feed regulating crank	1	1	1
20	20105007	KQ40	差动牙架连杆	Differential feed dog holder link	1	1	1
21	20103022	KQ41	差动牙架连杆套	Differential feed dog holder link bushing	1	1	1
22	20128030	KQ42	差动牙架连杆套垫圈	holder link bushing washer	2	2	2
23	20101023	KQ46D	挡油板	Screw oil plate	1	1	1
24	20109011	KQ47	牙架导轨	Feed dog carrier connection rod	1	1	1
25	20122030	KQ48	密封圈	Sealing connecting ring	1	1	1
26	20122031	KQ49	活动油封	Adjustable oil seal	2	2	2
27	20109012	KQ50	密封导架	Sealing connecting rod	1	1	1
28	20102015	KQ90	送布牙连杆偏心轴	Feed dog link eccentric shaft	1	1	1
29	2011401700	--- ---	三四送料组件	Feed form	1	1	0
	2011401800	--- ---	三线薄料送料组件	Feed form	1	0	0
	2011401900	--- ---	五线送料组件	Feed form	0	0	1
	2011402000	--- ---	厚料送料组件	Feed form	0	0	1
30	201S15003	SK293	挡圈螺钉	Snap ring screw	2	2	2
31	20108002	KF21	挡圈	Snap ring	1	1	1
32	201S12002	SK251	调牙套筒螺钉	Screw	1	1	1
33	201S11003	SK209	辅助牙螺钉	Screw	1	1	1
34	201S11012	SK241	牙架接板螺钉	Screw	1	1	1
35	201S11038	SK576	主送布牙螺钉	Main feed dog screw	2	2	2
36	201S12003	SK253	左牙叉连杆螺钉	Screw	1	1	1
37	201S12004	--- ---	右牙叉连杆螺钉	Screw	1	1	1
38	201S17003	SK212	抬牙滑块螺钉	Screw	1	1	1
39	201S13003	SK612	右送布曲柄螺钉	Crank screw	2	2	2
40	201S11005	SK221	左曲柄螺钉	Crank screw	4	4	4
41	201S11032	SK343	曲柄滑动盖螺钉	Crank slide block screw	2	2	2
42	201S11018	SK262	牙叉叉块螺钉II	Tooth rocks screw II	1	1	1
43	201S11023	SK277	牙叉叉块螺钉I	Tooth rocks screw I	1	1	1
44	201S16002	NK25	右送布曲柄销螺母	Nut	1	1	1
45	201S11016	SK257	挡油板螺钉	Screw	2	2	2



十三、剪切部分 Trimming Assemblies

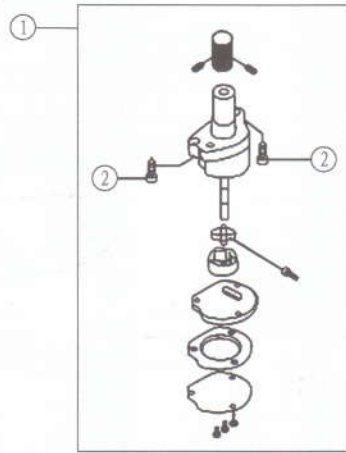
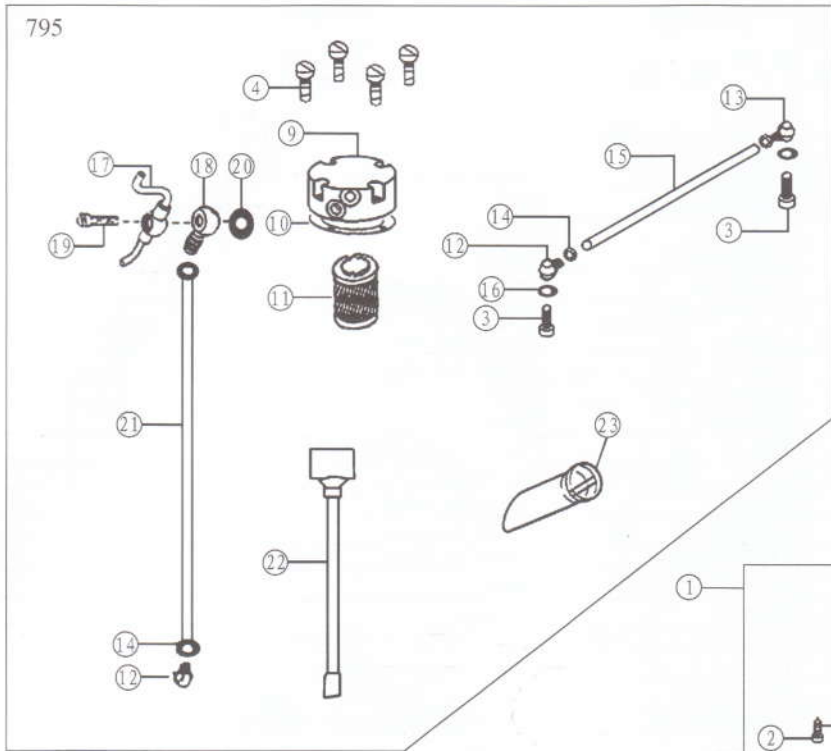
序号 NO.	件号 Part NO.	参考件号 Ref.Part NO.	名称	Description	数量 (Number)		
					三线	四线	五线
					Three-thread	Four-thread	Five-thread
1	20105008	KR01	上刀连杆	Upper knife driving connecting link	1	1	1
2	20104019	KR04	上刀曲柄	Upper knife crank	1	1	0
	20104020	KR03	上刀曲柄	Upper knife crank	0	0	1
3	20126015	KR07	曲柄销	Crank pin	1	1	1
4	20102017	KR09	上刀架轴	Upper knife frame rock shaft	1	1	1
5	20103023	KR12	上刀轴左套筒	Left shaft bushing	1	1	1
6	20103024	KR13	上刀轴右套筒	Right shaft bushing	1	1	1
7	20128031	KR14	垫圈	Washer	1	1	1
8	20101024	KR20	上刀座	Upper knife holder	1	1	0
	20101025	KR19	上刀座	Upper knife holder	0	0	1
	20101053	--- ---	上刀座(厚料)	Upper knife holder	0	0	1
9	20108002	KR21	挡圈	Snap ring	1	1	1
10	20126016	KR22	上刀架轴销	Upper knife holder pin	1	1	1
11	20119001	KR23	上刀	Upper knife	1	1	1
	20119005	--- ---	上刀(厚料)	Upper knife	0	0	1
12	20128020	WK09	垫片	Washer	1	1	1
13	20102018	KR27	下刀架	Lower knife holder	1	1	0
	20102019	KR26	下刀架	Lower knife holder	0	0	1
	20102023	--- ---	下刀架(倒回缝)	Lower knife holder	1	1	0
14	20103025	KR29	下刀架套筒	Lower knife holder bushing	1	1	1
15	20127012	KR32	下刀架弹簧	Lower knife holder spring	1	1	1
16	20112040	KR33	下刀架挡板	Lower knife holder	1	1	1
17	20119002	KR35	下刀	Lower knife	1	1	1
	20119006	--- ---	下刀(厚料)	Lower knife	0	0	1
18	20101026	KR36	下刀压板	Lower knife holder lock plate	1	1	1
19	201S15003	SK293	挡圈螺钉	Snap ring screw	2	2	2
20	201S13003	SK612	上刀曲柄紧固螺钉	Upper knife crank set screw	1	1	1
21	201S12005	SK270	上刀曲柄销螺钉	Upper knife crank pin screw	2	2	2
22	201S20006	SK385	上刀连杆螺钉	Connecting link screw	2	2	2
23	201S11022	SK277	上刀座螺钉	Upper knife holder screw	2	2	2
24	201S12001	SK246	上刀螺钉	Upper knife screw	1	1	1
25	201S11017	SK262	下刀挡板螺钉	Lower knife snap plate screw	1	1	1
26	201S11012	SK241	下刀挡板螺钉	Lower knife snap plate screw	1	1	1
27	201S16001	NK23	下刀挡板螺母	Lower knife snap plate screw	1	1	1
28	20122038	KF19	油封	Oil seal	1	1	1
29	201S11015	SK256	下刀架螺钉	Lower knife holder screw	1	1	1
30	W01006	KQ35	垫圈 4	Washer	1	1	0
	20128025	--- ---	垫片	Washer	0	0	1
31	20628014	KR14	垫圈	Washer	1	1	1



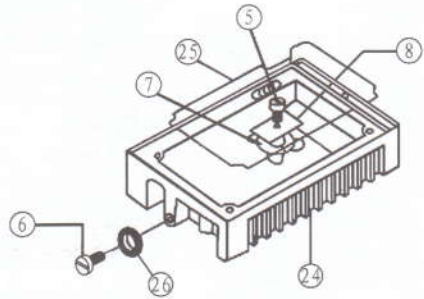
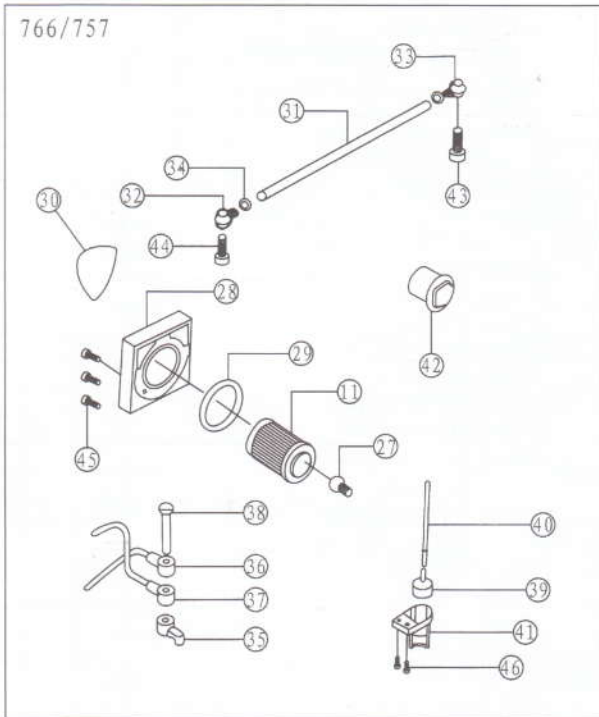
十四、压布部分 Presser foot Assemblies

序号 NO.	件号 Part NO.	参考件号 Ref.Part NO.	名称	Description	数量 (Number)		
					三线	四线	五线
					Three-thread	Four-thread	Five-thread
1	20101027	KS01	压脚架	Presser foot holder	1	1	1
2	20103026	KS02D	压脚轴套	Presser foot shaft bushing	1	1	1
3	201S11004	KS03	压脚架连接板螺钉	Screw	1	1	1
4	20102020	KS09	压脚架轴	Presser foot holder shaft	1	1	1
5	20103027	KS10D	压脚轴套筒	Presser foot shaft bushing	1	1	1
6	20108006	KS12	压脚轴挡圈	Presser foot shaft snap ring	1	1	1
7	20127013	KP35D	抬压脚扭簧(795)	Presser foot lifting spring	1	1	1
8	20104021	KS14F	压脚曲柄	Presser foot crank	1	1	1
9	20112041	KS18	抬压脚柄	Presser foot lifting lever	1	1	1
10	20126018	KS20	压脚柄勾	Hook	1	1	1
11	20127014	KS21	压脚柄簧	Spring	1	1	1
12	20119003	KS24	割线刀	Thread cutting knife	1	1	1
13	20102021	KS26-2D	压杆	Presser bar	1	1	1
14	20127015	KS27	压杆簧	Presser bar spring	1	1	1
15	201S30014	KS28	压杆螺钉(795)	Presser bar screw	1	1	1
	203S30001	KS28	757/766压杆螺钉	Presser bar screw	1	1	1
16	203S20001	SK439	757/766螺钉	Screw	1	1	1
	201S20009	--- ---	螺钉(795)	Screw	1	1	1
17	20611006	274013	压杆减震块	Presser bar shockproof block	1	1	1
18	20112074	--- ---	压杆扳手	Presser foot lifting handle	1	1	1
19	20627010	274017	压脚扳手扭簧	Presser foot lifting handle spring	1	1	1
20	20101052	--- ---	压脚扳手限位板	Presser foot lifting handle restricter	1	1	1
21	30122018	240123	防震垫	Washer	1	1	1
22	20612031	209676	压脚角板	Presser foot corner plate	1	1	1
23	20127016	KS44	压脚弹簧	Presser foot spring	0	0	1
24	20112042	KS54	压脚架连接板	Presser foot holder connection plate	1	1	0
25	206S20007	--- ---	螺钉	Screw	1	1	1
26	S02003	S157	螺钉	Screw	2	2	2
27	20327001	KS13	抬挡簧(757/766)	Presser foot lifting spring	1	1	1
28	20112045	KS65	压脚架护罩	Presser foot holder cover	1	1	1
29	20116001	P253E-3	压脚组件	Presser foot form	1	0	0
	20116002	P253E-4	压脚组件	Presser foot form	0	1	0
	20116003	P504-A	压脚组件	Presser foot form	0	0	1
	20116006	--- ---	压脚组件 (16S)	Presser foot form	1	0	0
	20116007	--- ---	压脚组件 (70)	Presser foot form	0	0	1
	20516015	--- ---	压脚组件 (厚料)	Presser foot form	0	0	1
	20116004	--- ---	压脚组件 (倒回缝)	Presser foot form	1	0	0
	20116005	--- ---	压脚组件 (倒回缝)	Presser foot form	0	1	0
30	20312001	KS29	压杆扳手	Presser foot lifting handle	1	1	1
31	20326001	KS30D	压力簧导销	Presser foot lifting anh	1	1	1
32	20312002	KS31E	压脚扳手座	Presser foot lifting handle bracket	1	1	1
33	20103028	KS32	压杆套	Presser bar bushing	1	1	1
34	20327002	KS34	压力簧	Presser foot lifting spring	1	1	1
35	P03028	--- ---	抬压脚扳手销	Pin	1	1	1
36	201S20004	SK296	压脚柄勾螺钉	Set screw	1	1	1
37	201S30020	--- ---	压脚扳手螺钉	Lifting handle screw	1	1	1
38	201S11005	SK221	螺钉	Screw	3	3	3
39	201S12007	SK298	压脚曲柄定位螺钉(766)	Crank set screw	1	1	1
	201S13003	--- ---	压脚曲柄定位螺钉(795/757)	Crank set screw	1	1	1
40	S10005	005292-HV	压脚轴挡圈螺钉	Snap washer screw	3	3	3
41	201S14002	--- ---	螺钉	Screw	1	1	1
42	201S11016	SK257	压脚角板螺钉	Set plate screw	2	2	2
43	S01023	7175	螺钉	Screw	1	1	1
44	206S16005	--- ---	螺母	Nut	1	1	1
45	201S11035	SK408	螺钉	Screw	1	1	1
46	203S30002	SK255	螺钉(757/766)	Screw	1	1	1
47	203S12001	SK331	螺钉(757/766)	Screw	1	1	1
48	201S16003	NK26	螺母(757/766)	Nut	1	1	1

795

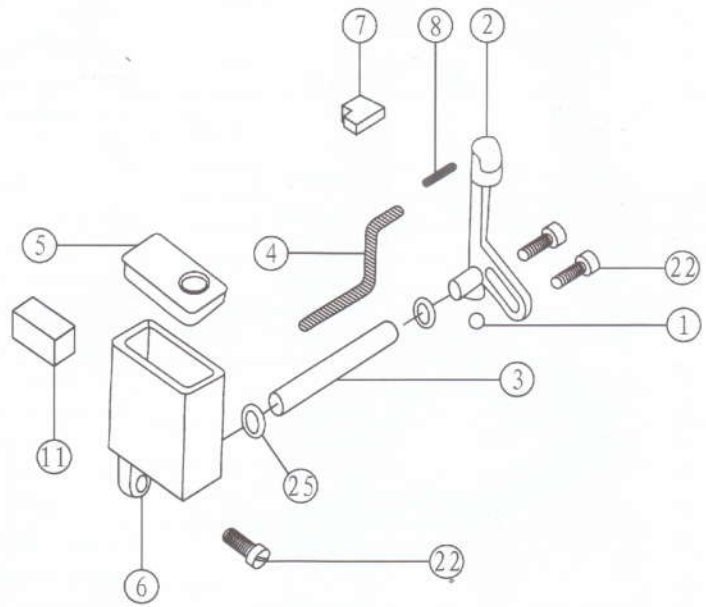
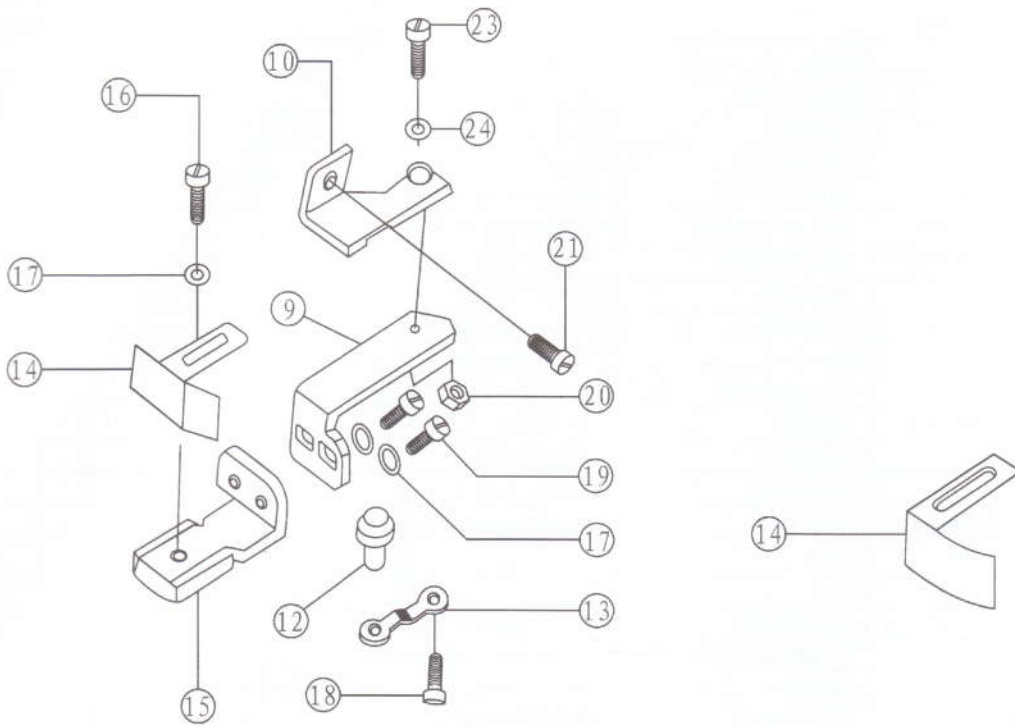


766/757



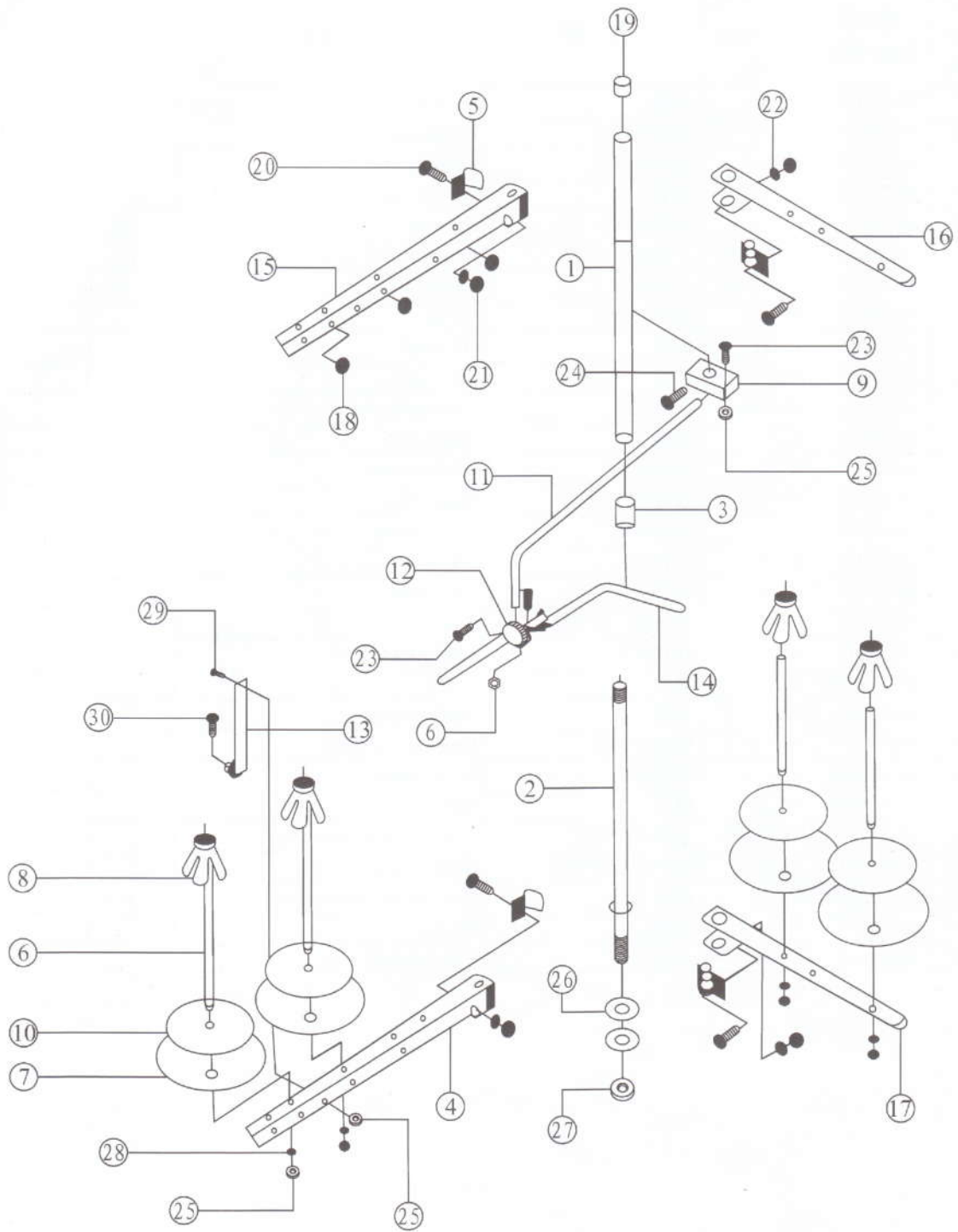
十五、润滑部分 Lubrication Assemblies

序号 NO.	件号 Part NO.	参考件号 Ref.Part NO.	名称	Description	数量 (Number)		
					三线	四线	五线
					Three-thread	Four-thread	Five-thread
1	20120001	--- ---	油泵(795)	Oil pump	1	1	1
	20320001	--- ---	油泵(757/766)	Oil pump	1	1	1
2	201S11025	SK278	油泵螺钉	Oil pump screw	2	2	2
3	201S30004	SK304	油管接头I螺钉	Oil tube joint screw	4	4	4
4	209S11019	--- ---	滤油器盖螺钉	Oil screen cover screw	4	4	4
5	201S11019	SK265	油盘磁铁盖螺钉	Oil pan magnet cover screw	1	1	1
6	201S11031	SK310	油盘放油螺钉	Oil pan screw	1	1	1
7	10131001	--- ---	油盘磁铁	Oil pan magnet	1	1	1
8	20112050	KT58	油盘磁铁盖	Oil pan magnet cover	1	1	1
9	20101034	--- ---	滤油器盖	Oil clearer cover	1	1	1
10	20122032	--- ---	滤油器盖纸垫	Oil clearer cover seal ring	1	1	1
11	20136001	KT14-A	滤油器	Oil clearer	1	1	1
12	20136002	--- ---	油管接头I	Oil tube joint I	2	2	2
13	20136003	--- ---	油管接头II	Oil tube joint II	1	1	1
14	20129002	--- ---	油管卡簧	Oil tube shape ring	4	4	4
15	2012100600	--- ---	油管	Oil tube	1	1	1
16	20122034	--- ---	垫片	Washer	3	3	3
17	20136004	--- ---	双头配油器	Double node oil manager	1	1	1
	20121012	--- ---	双头配油器(795L)	Double node oil manager	1	1	1
18	20136005	--- ---	油管接头	Oil tube joint	1	1	1
19	201S30015	--- ---	配油器螺钉	oil manager screw	1	1	1
20	20122033	--- ---	垫片	Washer	4	4	4
21	2012100700	--- ---	油管	Oil tube	1	1	1
22	20121016	KA38	回油管	Oil back tube	1	1	1
23	20111010	--- ---	油标	Oil observer	1	1	1
24	20101035	KT51B	油盘	Oil pan	1	1	1
25	20122035	KT52B	油盘垫圈	Oil pan washer	1	1	1
26	20122036	KT56	堵油垫圈	Oil seal	1	1	1
27	20121013	--- ---	滤油器接头	Oil cljerner joint	1	1	1
28	300077	KT16	滤油器盖	Oil screen cover	1	1	1
29	20322004	KT17	滤油器盖密封圈	Oil clerner cover seal ring	1	1	1
30	20337005	KT18	润滑提示	ingicaing plat	1	1	1
31	2032100400	--- ---	油管	Oil clearer cover	1	1	1
32	20136002	--- ---	油管接头I	Oil tube joint I	1	1	1
33	20136003	--- ---	油管接头II	Oil tube joint II	1	1	1
34	30129003	202199	油管卡簧(小)	Oil tube shap ring	1	1	1
35	20301006	KT38	润滑套	Lubrcate bushing	1	1	1
36	20321002	KT22	上配油器	Upper screem	1	1	1
37	20321003	KT39-2	下配油器	lower screem	1	1	1
38	203S30004	SK286	配油器螺钉	Oil screem screw	1	1	1
39	20311005	KT46E	油量显示座	Oil show bracket	1	1	1
40	20311006	KT47E	油量显示器杆	Oil show cleaner link	1	1	1
41	20312003	KT49D	油量显示器支架	Oil show cleaner guard	1	1	1
42	20311008	KT74	油标刻度板	Oil dial	1	1	1
43	203S30003	SK419	油管接头II螺钉	Screw	1	1	1
44	201S30004	SK304	S063螺钉	Screw	1	1	1
45	201S11019	SK265	S039螺钉	Screw	3	3	3
46	201S11014	SK250	S027螺钉	Screw	2	2	2



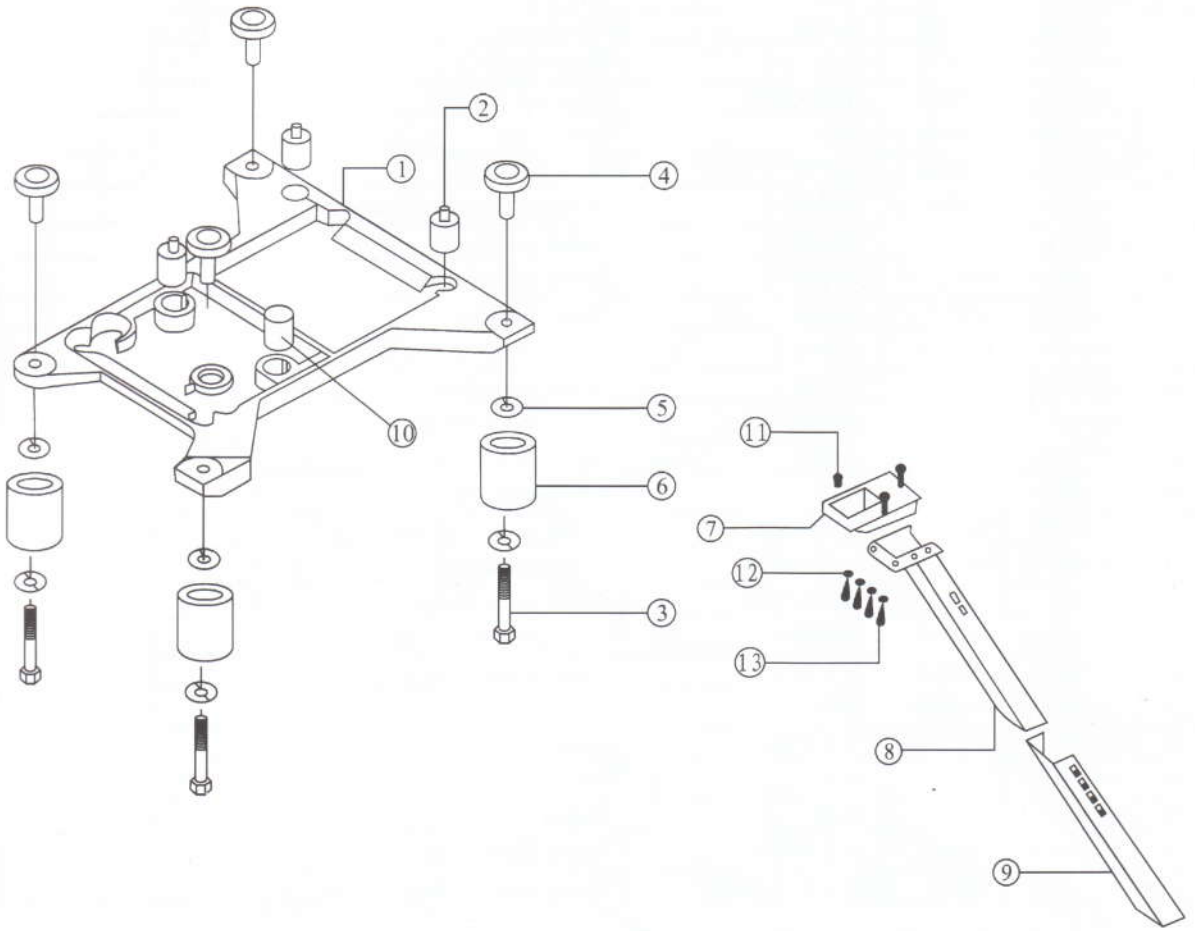
十六、送布挡料部分 Feed Snap Assemblies

序号 NO.	件号 Part NO.	参考件号 Ref.Part NO.	名称	Description	数量 (Number)		
					三线	四线	五线
					Three-thread	Four-thread	Five-thread
1	20123012	KU02	油堵	Oil seal	1	1	1
2	20101037	KU14	机针冷却器	Needle cooler	1	1	0
	20101038	KU15	机针冷却器	Needle cooler	0	0	1
3	20121019	KU20	油管	Oil tube backer	1	1	1
4	20123021	KU22	硅油冷却油线	Oil wick	1	1	1
5	20111011	KU23-1B	下硅油盒盖	Lower oil box cover	1	1	1
6	20111012	KU23-2B	下硅油盒	Lower oil box	1	1	1
7	20123014	KU24	油棉	Oil felt	1	1	0
	20123015	KU25	油棉	Oil felt	0	0	1
8	20123021	KU26	油线	Oil wick	1	1	1
9	20112051	KU27D	送料支架	Cloth guide holder	1	1	1
10	20112052	KU28D	铰链	Hinge plate	1	1	1
11	20123017	KU29	硅油棉块	Oil felt block	1	1	1
12	20126020	KU34	铰链销	Hinge pin	1	1	1
13	20112053	KU35	铰链弹簧	Hinge spring	1	1	1
14	20112054	KU40	挡料板	Snap plate	1	1	0
	20112055	KU39	挡料板	Snap plate	0	0	1
	20112071	--- ---	挡料板 (倒回缝)	Snap plate	1	1	0
15	20112056	KU43	挡料板座	Snap plate bracket	1	1	1
16	201S11009	SK233	螺钉	Screw	1	1	1
17	20128020	WK09	垫圈	Washer	3	3	3
18	201S11011	SK239	铰链簧螺钉	Hinge spring screw	1	1	1
19	201S12001	SK246N	铰链螺钉	Hinge screw	2	2	2
20	201S16003	NK26	螺母	Nut	1	1	1
21	201S11016	SK277N	送料支架螺钉	Cloth guide holder screw	1	1	1
22	201S11018	SK262	机针冷却器螺钉	Needle cooler screw	3	3	3
23	201S20002	SK266	螺钉	Cloth guide holder screw	1	1	1
24	20128027	KP46	垫圈	Washer	1	1	1
25	20129002	KT26	油管卡簧	Oil tube shape ring	2	2	2



十七、线架部分 Thread Spool Assemblies

序号 NO.	件号 Part NO.	参考件号 Ref.Part NO.	名称	Description	数量 (Number)		
					三线	四线	五线
					Three-thread	Four-thread	Five-thread
1	20131001	KW01E	上管	Upper thread column	1	1	1
2	20131002	KW02E	下管	Lower thread column	1	1	1
3	20131003	KW03E	套	Bushing	1	1	1
4	20131004	KW04E	长托线架	Long thread spool troy bracket	1	1	1
5	20131005	KW05E	导线环	Thread guide hook	4	4	4
6	20131006	KW09B	线托棒	Spool pin	3	4	5
7	20131007	KW12E	线盘	Spool tray	3	4	5
8	20131008	KW13E	线圈定位套	Centering device	3	4	5
9	20131009	KW14E	棒架	Clamp plate	1	1	1
10	20131010	KW28E	线盘垫	Spool tray cushioning	3	4	5
11	20131011	KW16	导线棒	Thread guide connecting bar	1	1	1
12	20131012	KW20E	固定器	Thread guide joint	1	1	1
13	20131013	KW22	固定板	Thread stable holder	1	1	1
14	20131014	KW23	导线棒	Thread guide bar	1	1	1
15	20131015	KW26E	大导线架	Thread spool tray bracket	1	1	1
16	20131016	KW28E	过线板	Thread guide plate	1	1	1
17	20131017	KW29E	托线架	Thread spool tray bracket	1	1	1
18	20131018	KW32E	过线环	Thread guide hook	3	3	3
19	20131019	KW3613	棒冒	Rubber seal	1	1	1
20	20131020	SK421	导线环螺钉	Thread guide hook screw	4	4	4
21	201S16006	NK31B	导线环螺母	Thread guide hook nut	4	4	4
22	20128016	SW01	导线环垫圈	Thread guide washer	4	4	4
23	20131021	SK386B	棒架螺钉	Clamp plate screw	3	3	3
24	20131022	SK281B	棒架螺钉	Clamp holder screw	1	1	1
25	201S16004	NK29B	螺母	Nut	8	8	8
26	20128025	KW25B	下管垫圈	Lower washer	2	2	2
27	201S16005	NK30	螺母	Nut	1	1	1
28	20128018	SW04	垫圈	Washer	4	4	4
29	20131023	SK420	固定板螺钉	Thread stand holder screw	1	1	1
30	20131024	SK422	固定板连接螺钉	Thread stand holder join screw	1	1	1

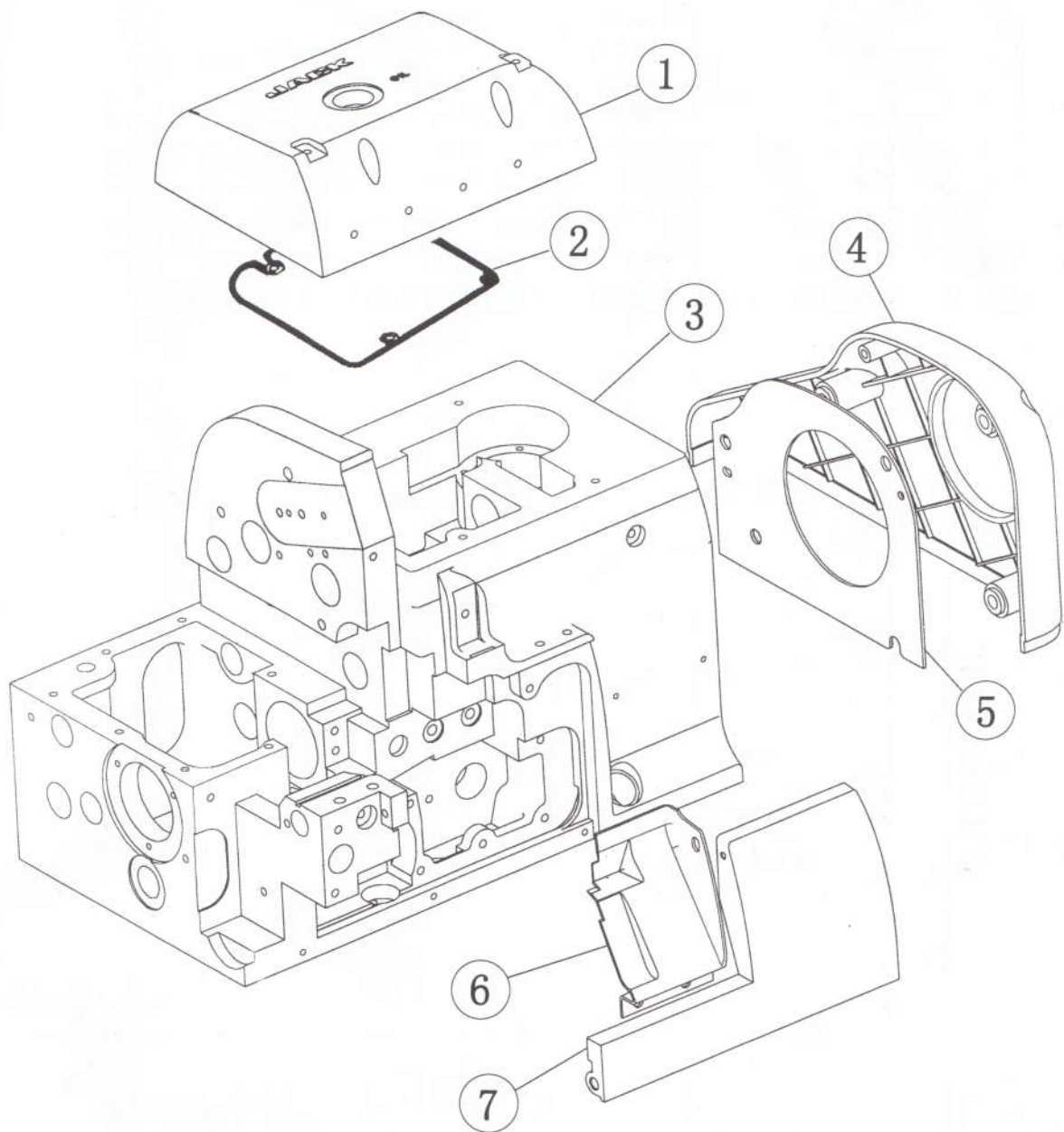


十八、托盘、排料部分 Plate Row Material Assemblies

序号 NO.	件号 Part NO.	参考件号 Ref.Part NO.	名称	Description	数量 (Number)		
					三线	四线	五线
					Three-thread	Four-thread	Five-thread
1	20131025	KX01	机架托盘	Machine head plate	1	1	1
2	20131026	KX02	减震垫组件	Head shockproof cushion	3	3	3
3	20131027	KX04	螺钉M8x55	Screw	4	4	4
4	20131028	KX05	托盘螺钉固定头	Screw	4	4	4
5	20131029	KX08	大垫圈	Big washer	12	12	12
6	20131030	KX09	防震套	Plate dog link bushing	12	12	12
7	20131031	KX10E	排料槽座	Row material trollgh bracket	1	1	1
8	20131032	KX12E	排料槽I	Row material trough I	1	1	1
9	20131033	KX13E	排料槽II	Row material trough II	1	1	1
10	20131057	--- ---	托盘防震垫	Washer	1	1	1
11	20131034	SK391	排料槽座螺钉	Row material seat screw	3	3	3
12	20128022	WK21	排料槽垫圈	Row material washer	4	4	4
13	20131035	SK392	排料槽螺钉	Row material screw	4	4	4

795、757、766系列专用件											
机型	间距		针板	牙齿组件	压脚组件	上弯针	针夹	垫圈	针杆曲柄	下弯针摆动曲柄	机针
	NG	SW									
MACHINE TYPE/SPEC			NEEDLE PLATE	FEED FORM	PRESSER FOOT ASSM.	UPPER LOOPER	NEEDLE CLAMP	WASHER	CRANK	LOWER LOOPER CRANK	NEEDLE
795-3-504M1-15 757/766-3-504M1-15	0	1.5	20115006	2011401800	20116006	20117007	20134002	20128006	20104003	20104009	DC27#11
795-3-504M2-04 757/766-3-504M2-04	0	4	20115001	2011401700	20116001	20117007	20134002	20128006	20104003	20104009	DC27#11
795-3-504M5-04/BK 737/766-3-504M5- 04/BK	0	4	20115004	2011402100	20116004	20117007	20134002	20128006	20104003	20104009	DC27#11
795-3-504M2-04/LFC-2 737/766-3-504M2- 04/LFC-2	0	4	20115001	2011401700	跟松紧带 装置配套	20117007	20134002	20128006	20104003	20104009	DC27#11
795-4-514M2-24/LFC-2 747/766-4-514M2- 24/LFC-2	2	4	20115002	2011401700	跟松紧带 装置配套	20117007	20134001	20128005	20104002	20104009	DC27#11
795-4-514M5-23/BK 747/766-4-514M5- 23/BK	2	3	20115005	2011402100	20116005	20117007	20134001	20128005	20104002	20104009	DC27#11
795-4-514M2-24 757/766-4-514M2-24	2	4	20115002	2011401700	20116002	20117007	20134001	20128005	20104002	20104010	DC27#11
795-5-516M2-35 757/766-5-516M2-35	3	5	20115003	2011401900	20116003	20117007	20134003	20128005	20104002	20104010	DC27#14
795-5-516M2-55 757/766-5-516M2-55	5	5	20115008	2011401900	20116007	20117007	20134004	20128005	20104002	20104010	DC27#14
795-5-516X2-56 757/766-5-516X2-56	5	6	20115007	2011402000	20516015	20117007	20134004	20128005	20104002	20104010	DC27#19

二十、768专用部件 Specific Parts



二十、768专用部件 Specific Parts

序号 NO.	件号 Part NO.	参考件号 Ref.Part NO.	名称	Description	数量 (Number)		
					三线	四线	五线
					Three-thread	Four-thread	Five-thread
1	301643	—	上盖(768)	Upper cover	1	1	1
2	20122045	—	上盖垫(768)	Upper cover washer	1	1	1
3	301641	—	机壳(768)	Machine frame	1	1	1
4	20111054	—	皮带轮罩(768)	Blte cover	1	1	1
5	20112091	—	机壳右盖板(768)	Right frame plate	1	1	1
6	20112100	—	前罩挡板(768)	Front cover guard	1	1	0
	20112101	—	前罩挡板(768)	Front cover guard	0	0	1
7	301642	—	前罩	Front cover	1	1	1

注：以上为JK768专用零件，通用类及标准度量零件参照JK766/JK747/JK795