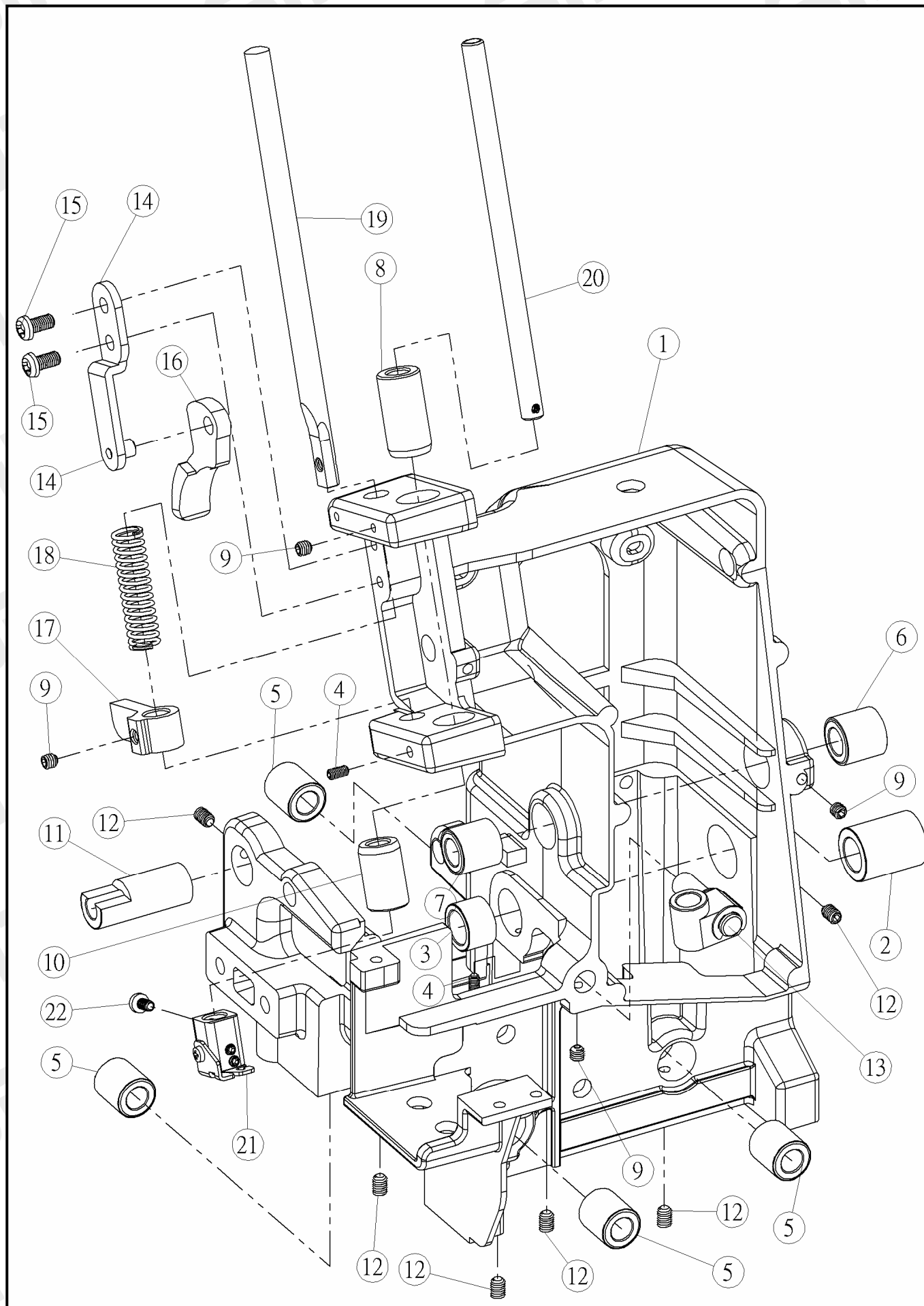


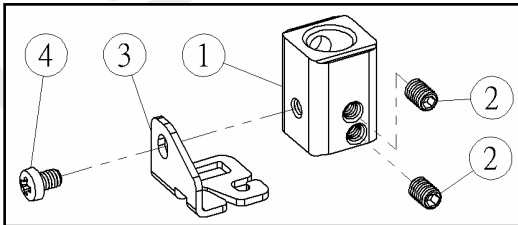
PARTS LIST





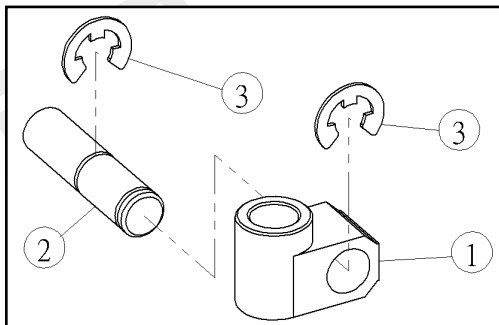
ref no	part no	name of parts	note
1	SP-760001101	MACHINE FARME	
2	SP-750005001	MAIN SHAFT BUSHING	
3	SP-750006002	MAIN SHAFT BUSHING	
4	SP-000018012	SCREW	
5	SP-750013105	LOOPER SHAFT BUSHING	
6	SP-750023005	UPPER KNIFE SHAFT BUSHING	
7	SP-750024006	UPPER KNIFE SHAFT BUSHING	
8	SP-750100007	NEEDEL BAR SHAFT BUSHING	
9	SP-301046000	SCREW	
10	SP-750101008	NEEDLE BAR SHAFT BUSHING	
11	SP-750174002	SHAFT BUSHING	
12	SP-000023021	SCREW	
13	SP-760601004	SLIDE GROUP	GROUP
14	SP-760003000	PRESSURE BAR ROD BASE	
15	SP-000019057	SCREW	
16	SP-750111001	PRESSURE BAR LIFTER	
17	SP-750109006	PRESSURE BAR ROD	
18	SP-760008005	PRESSURE BAR SPRING	
19	SP-750110000	PRESSURE BAR	
20	SP-754003001	NEEDLE BAR	
21	SP-760612008	NEEDLE BARGROUP	GROUP
22	SP-000017000	SCREW	

760612008 NEEDLESET BAR GROUP

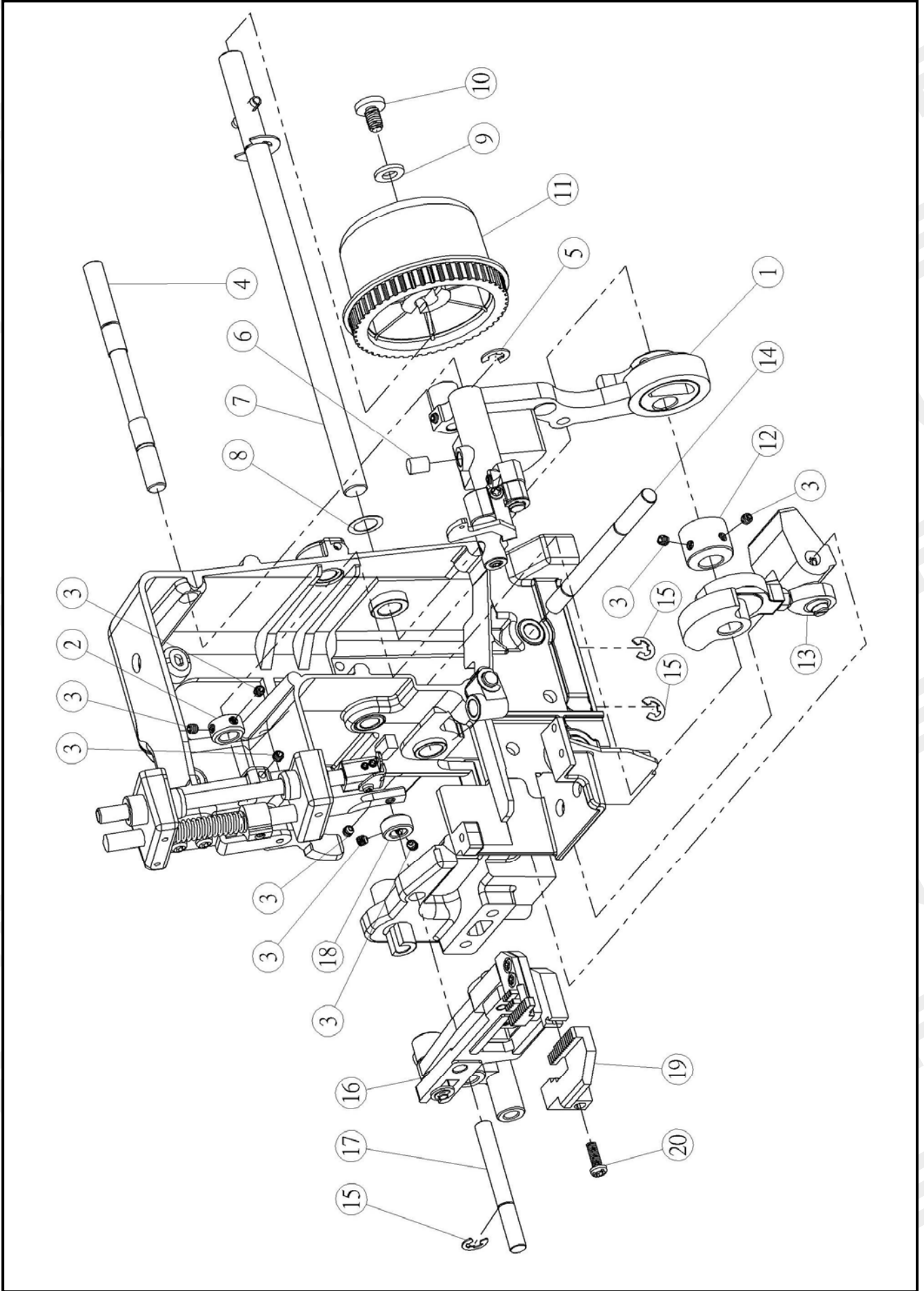


ref no	part no	name of parts
1	SP-760016006	NEEDLE SET BAR
2	SP-000022008	SCREW
3	SP-760018008	NEEDLE THREADER PLATE
4	SP-000017000	SCREW

760601004 SLIDE GROUP

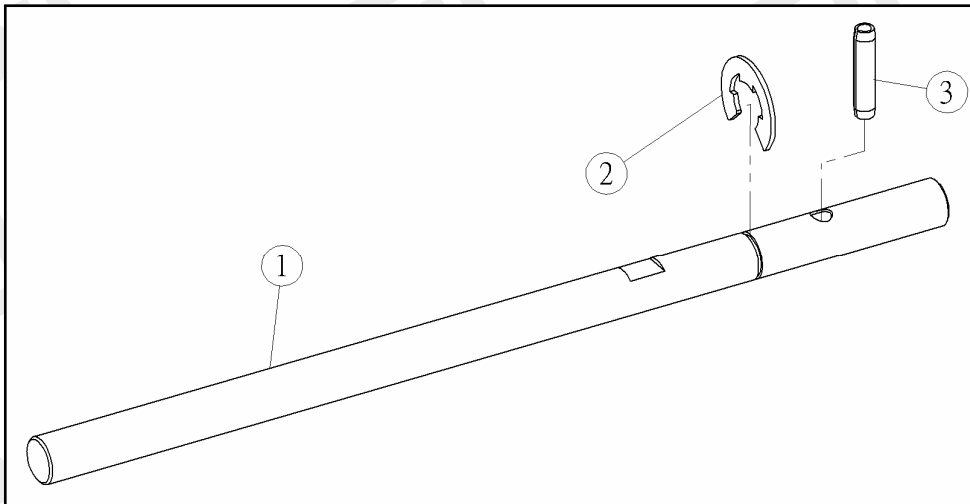


ref no	part no	name of parts
1	SP-760005002	SLIDE BASE
2	SP-760006003	SLIP THE AXLE
3	SP-000000309	SNAP RING 5D



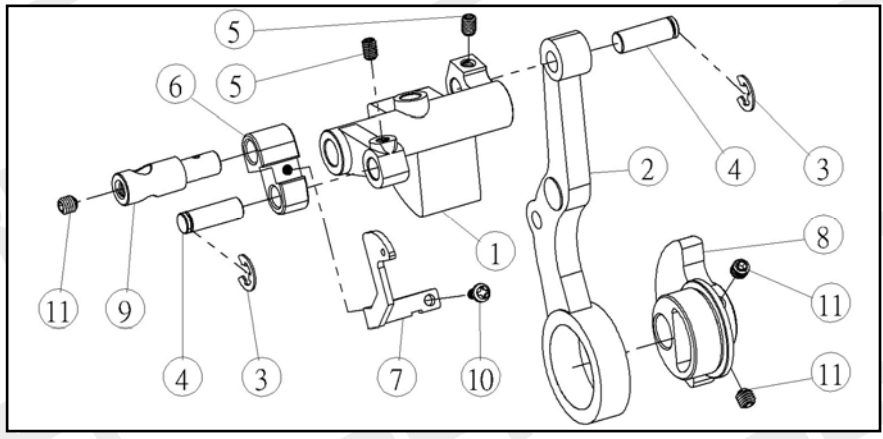
ref on	part no	name of parts	note
1	SP-760610006	NEEDEL BAR CAM GROUP	GROUP
2	SP-750015004	COLLAR	
3	SP-301046000	SCREW	
4	SP-750014003	NEEDLE BAR CRANK SHAFT	
5	SP-000000402	SNAP RING 6D	
6	SP-750255008	LUBRINCANT FELT	
7	SP-750604109	MAIN SHAFT GROUP	GROUP
8	SP-000009010	WASHER	
9	SP-000014029	WASHER	
10	SP-000016054	SCREW	
11	SP-750008037	HAND WHEEL	
12	SP-750021003	UPPER KNIFE CAM	
13	SP-750605007	UPPET LOOPER CAM GROUP	GROUP
14	SP-750010102	UPPER LOOPER SHAFT	
15	SP-000000309	SNAP RING 5D	
16	SP-750606008	MAIN FEED BASE GROUP	GROUP
17	SP-750173001	SUPPORTING SHAFT	
18	SP-750032007	COLLAR	
19	SP-750051002	FEED DOG (F)	
20	SP-301144009	SCREW	

750604109 MAIN SHAFT GROUP



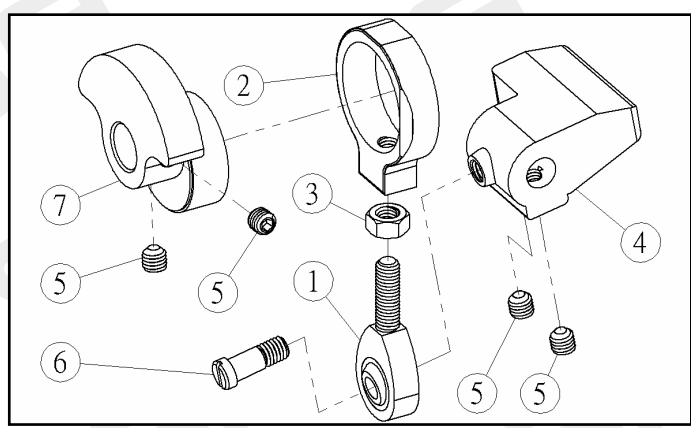
ref on.	part on.	name of parts
1	SP-750188102	MAIN SHAFT
2	SP-000000505	SNAP RING 6D
3	SP-000003508	SPRING PIN 4*20

760610006 **NEEDEL BAR CAM GROUP**

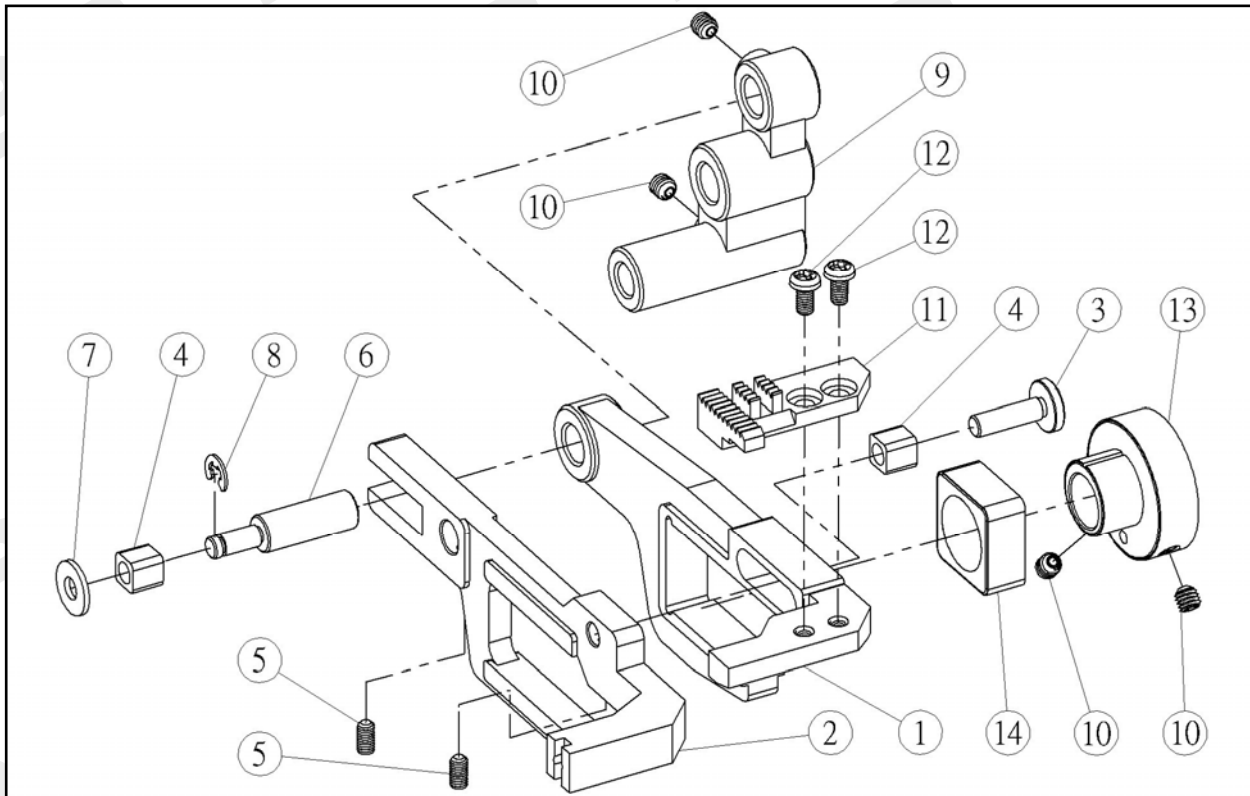


ref on	part no	name of parts
1	SP-750016005	NEEDLE BAR CRANK
2	SP-750018007	CONNECTING ROD
3	SP-000000309	SNAP RING 5D
4	SP-750020002	PIN
5	SP-000023021	SCREW
6	SP-750102009	NEEDLE BAR CONNECTING ROD
7	SP-760042001	TAKE UP LEVER
8	SP-760026009	NEEDLE BAR CAM
9	SP-750104001	NEEDLE BAR ROD
10	SP-380041000	SET SCREW
11	SP-301087003	SCREW

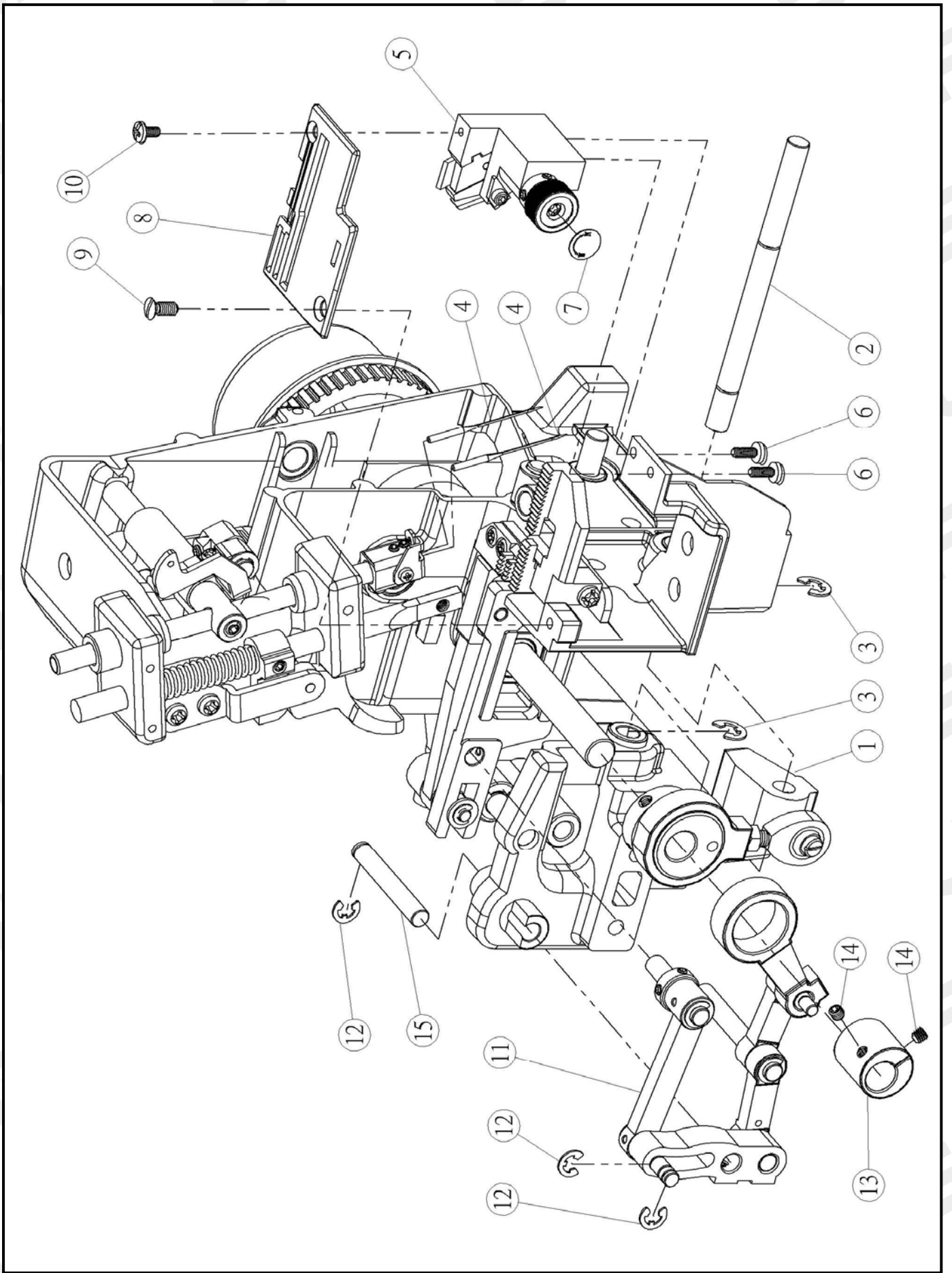
750605007 **UPPET LOOPER CAM GROUP**



ref on	part no	name of parts
1	SP-750501002	BALL BASE CONNECTING ROD
2	SP-750035000	CONNECTING ROD BASE
3	SP-351011001	NUT
4	SP-750033008	LOOPER CRANK
5	SP-301087003	SCREW
6	SP-750036001	SCREW
7	SP-750034009	UPPET LOOPER CAM

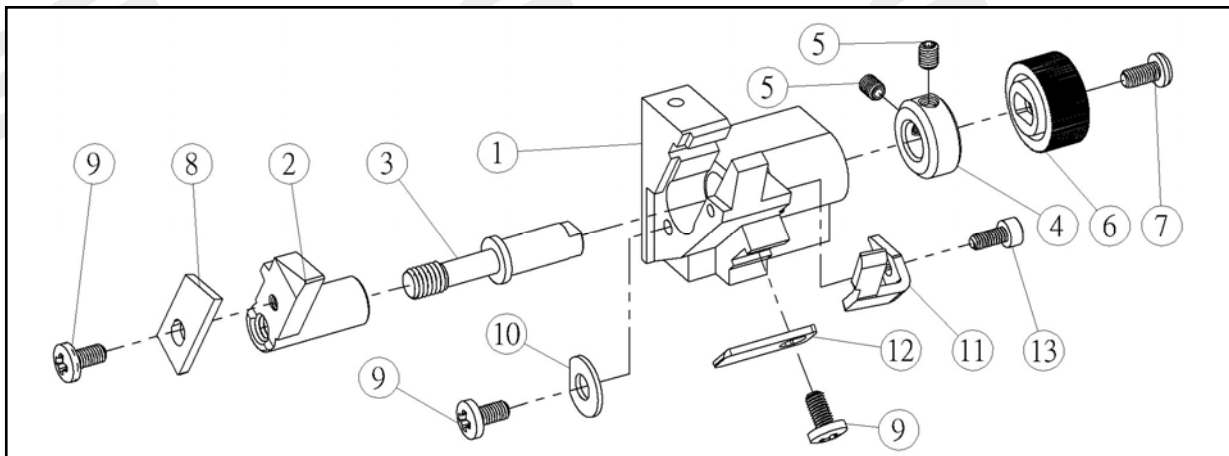


ref on	part no	name of parts
1	SP-750163008	MAIN FEED BASE
2	SP-750162007	SUB FEED BASE
3	SP-750200008	LIMITED PIN
4	SP-750196000	SLIDE ROD
5	SP-000018012	SCREW
6	SP-750171009	(UP) SHAFT
7	SP-301009001	WASHER
8	SP-000000103	SNAP RING 3D
9	SP-750170008	STITCH LENGTH ROD
10	SP-301046000	SCREW
11	SP-750049007	FEED DOG (R)
12	SP-380041000	SET SCREW
13	SP-750046004	UP DOWN CAM
14	SP-750047005	UP DOWN SLIDE ROD



ref on	part no	name of parts	Note
1	SP-750607008	LOWER LOOPER CAM GROUP	GROUP
2	SP-760007004	UPPER LOOPER SHAFT	
3	SP-000000309	SNAP RING 5D	
4	SP-301244206	NEEDLE	
5	SP-760602005	LOWER KNIFE BASE GROU P	GROUP
6	SP-000016010	SCREW	
7	SP-750094007	PANEL	
8	SP-760058000	NEEDLE PLATE	
9	SP-301261003	SET SCREW	
10	SP-000038052	SCREW	
11	SP-750608103	D.F CONNECTING ROD GROUP	GROUP
12	SP-000000206	SNAP RING 4D	
13	SP-750164009	BEVEL CAM	
14	SP-301046000	SCREW	
15	SP-750175003	SHAFT A	

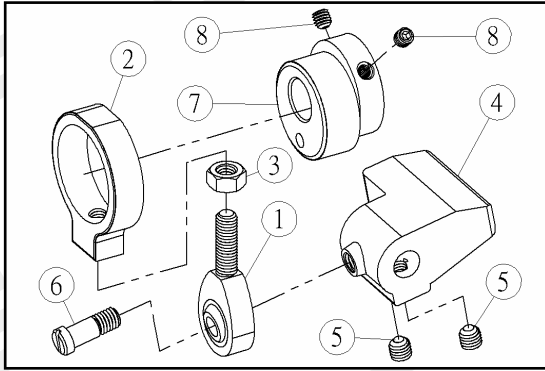
760602005 LOWER KNIFE BASE GROUP



ref on	part no	name of parts
1	SP-760002009	THE NEEDLE BOARD SUPPORT SEATS
2	SP-750090003	LOWER KNIFE BASE
3	SP-750089009	LOWER KNIFE SHAFT
4	SP-750092005	COLLAR
5	SP-255004000	SCREW
6	SP-750093006	DIAL
7	SP-380041000	SET SCREW
8	SP-750091004	LOWER KNIFE
9	SP-000016010	SCREW
10	SP-760062007	WASHER
11	SP-750087007	NEEDLE BASE
12	SP-750088008	STOP PLATE
13	SP-000015008	SCREW

750607008

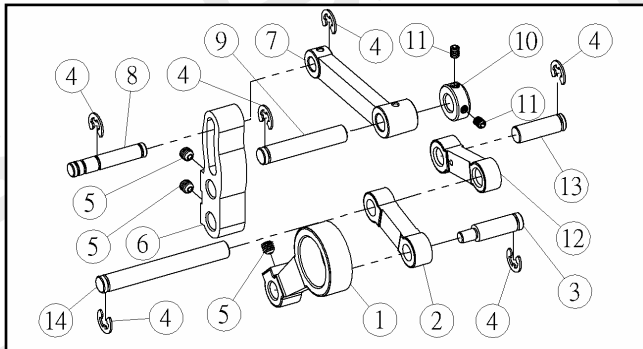
LOWER LOOPER CAM GROUP



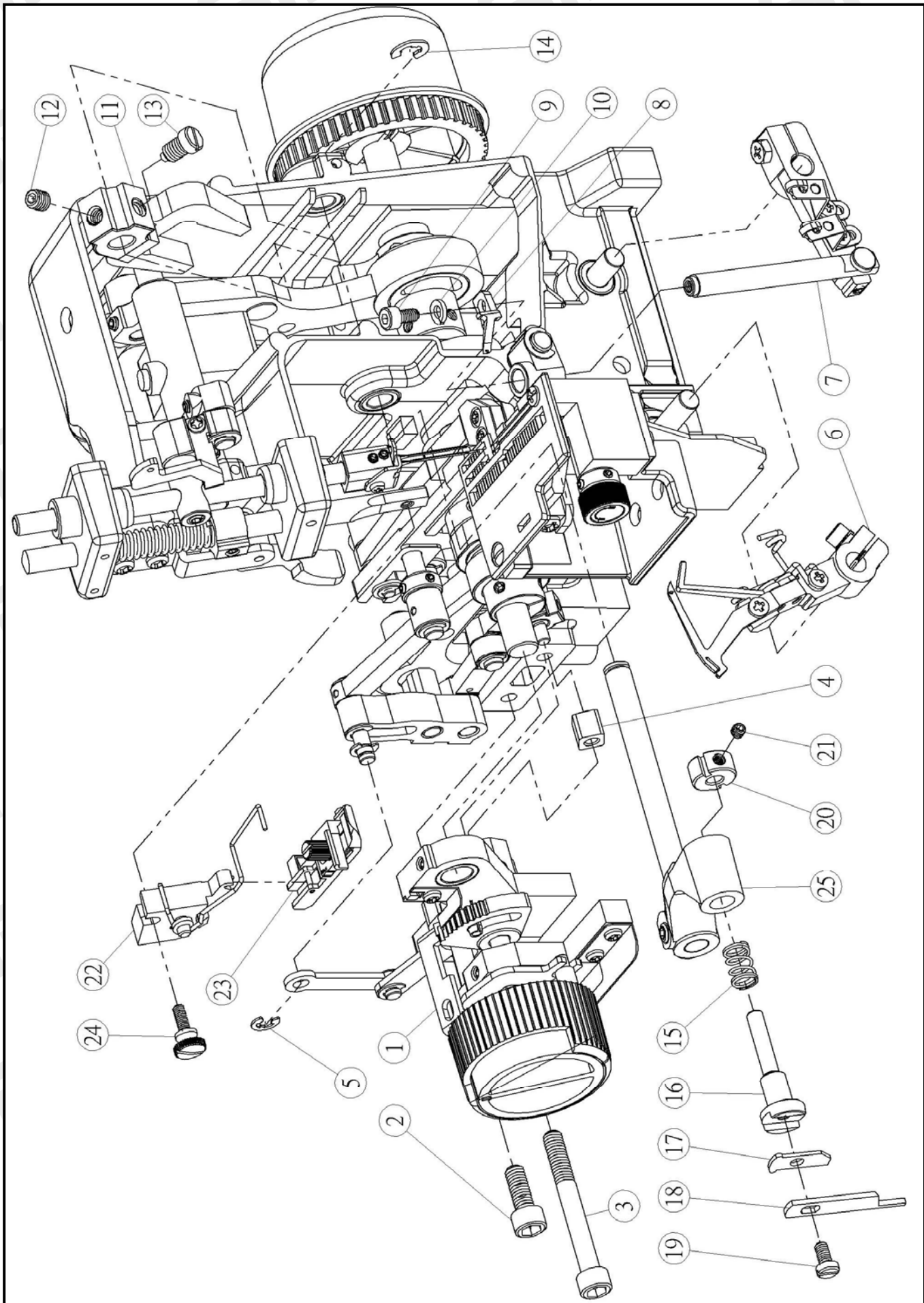
ref on	part no	name of parts
1	SP-750501002	BALL BASE CONNECTING ROD
2	SP-750035000	CONNECTING ROD BASE
3	SP-351011001	NUT
4	SP-750033008	LOOPER CRANK
5	SP-301087003	SCREW
6	SP-750036001	SCREW
7	SP-750187008	UPPET LOOPER CAM
8	SP-301046000	SCREW

750608103

D.F CONNECTING ROD GROUP



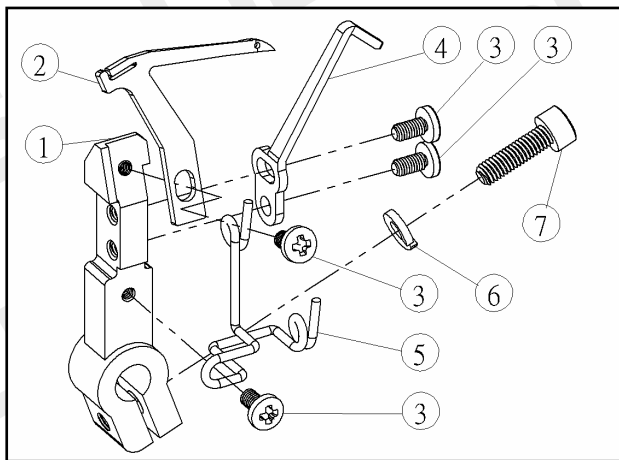
ref on	part no	name of parts
1	SP-750165000	STITCH LENGTH ROD
2	SP-750197001	CONNECTING ROD
3	SP-750186007	SLIDE ROD SHAFT
4	SP-000000206	SNAP RING 4D
5	SP-301046000	SCREW
6	SP-750177005	D.F FEED SHAFT
7	SP-750181002	D.F CONNECTING ROD
8	SP-750178109	PIN
9	SP-750179007	PIN
10	SP-750092005	COLLAR
11	SP-255004000	SCREW
12	SP-750176004	CONNECTING ROD
13	SP-750198002	PIN B
14	SP-750172000	SHAFT



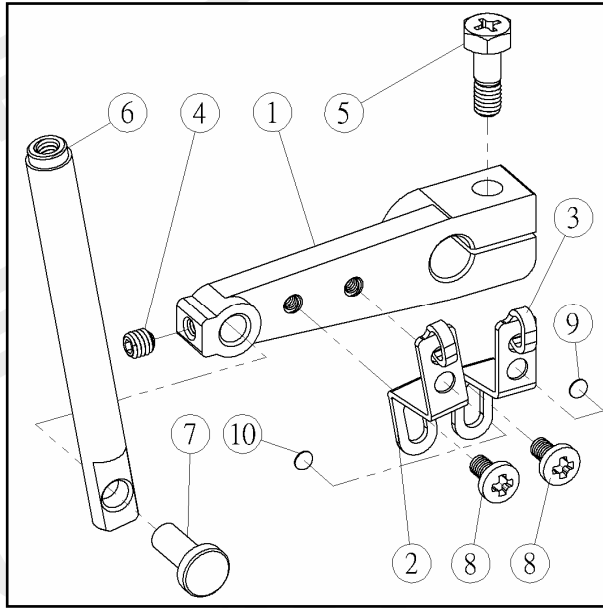
ref no	part no	name of parts	Note
1	SP-750611110	SUPPROTER ARM GROUP	GROUP
2	SP-000015020	SCREW	
3	SP-000015031	SCREW	
4	SP-750072009	SLIDE ROD	
5	SP-000000206	SNAP RING 4D	
6	SP-750612007	LOWER LOOPER BASE GROUP	GROUP
7	SP-750613008	UPPER LOPPER BASE GROUP	GROUP
8	SP-750042000	UP LOOPER	
9	SP-000015019	SCREW	
10	SP-000021007	SPRING WASHER	
11	SP-750025007	FORK LOD	
12	SP-000018045	SCREW	
13	SP-353015001	SET SCREW	
14	SP-000000402	SNAP RING 6D	
15	SP-754001009	UPPER KNIFE SPRING	
16	SP-750028000	UPPER KNIFE BASE	
17	SP-750029001	UPPER KNIFE PLATE	
18	SP-750030005	UPPER KNIFE	
19	SP-000017022	SCREW	
20	SP-750031202	COLLAR	
21	SP-301046000	SCREW	
22	SP-750505006	PRESSUER FOOT HOLDER	
23	SP-750504005	PRESSUER FOOT	
24	SP-301339003	SET SCREW	
25	SP-750614102	UPPER KNIFE BODY GROUP	GROUP

750612007

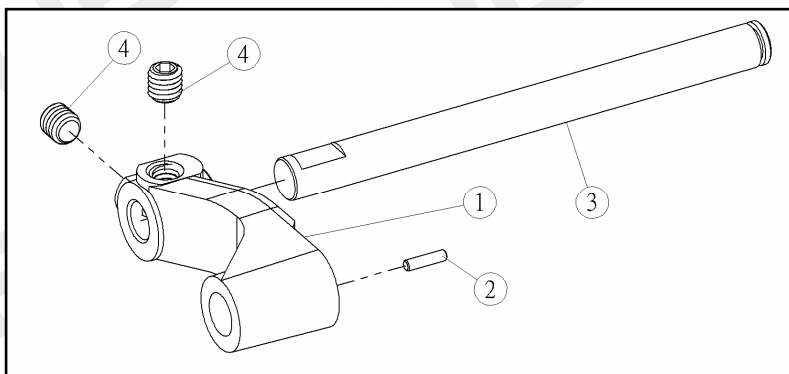
LOWER LOOPER BASE GROUP



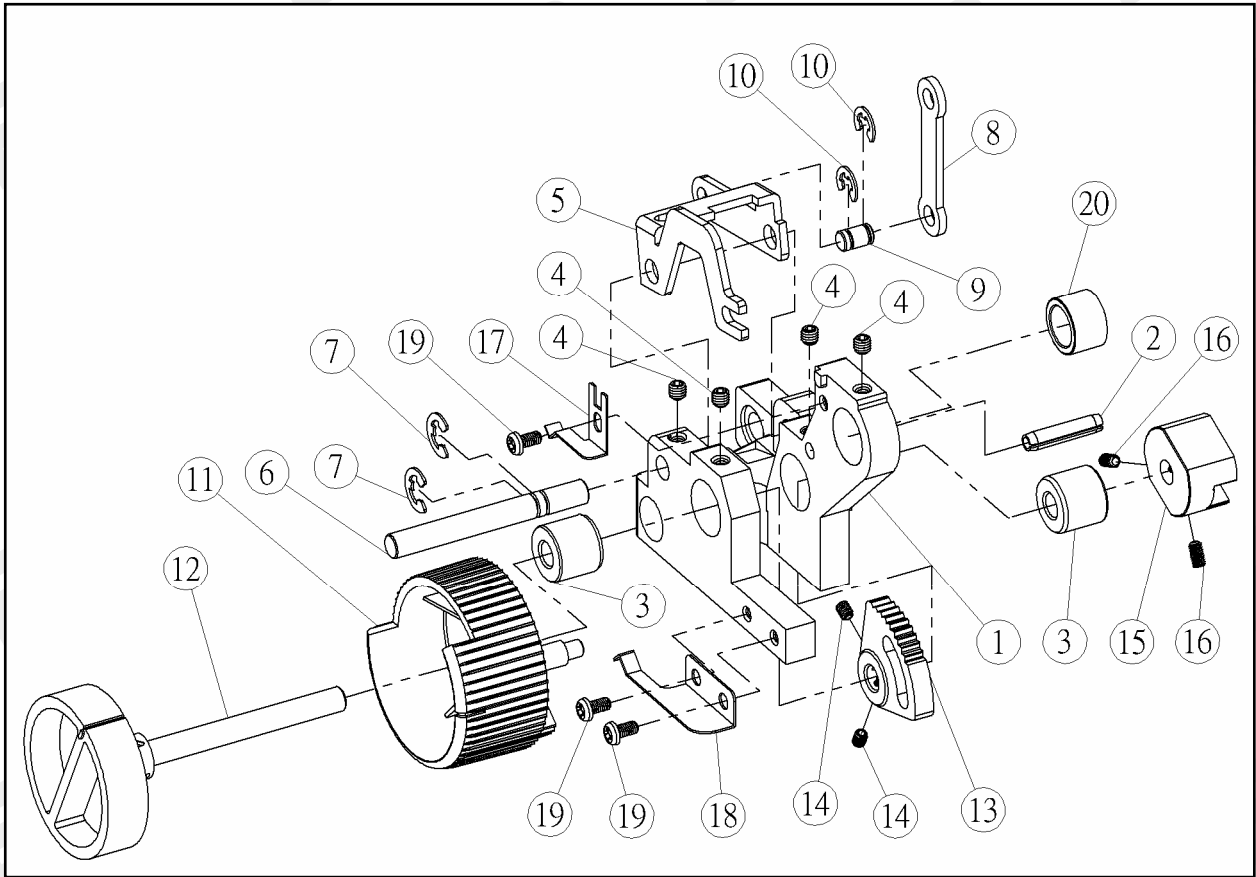
ref no	part no	name of parts
1	SP-750080000	LOWER LOOPER BASE
2	SP-750081001	LOWER LOOPER
3	SP-000016021	SCREW
4	SP-750082002	NEEDLE BASE
5	SP-750083003	LOWER LOOPER THREAD GUIDE
6	SP-000021007	SPRING WASHER
7	SP-000015042	SCREW



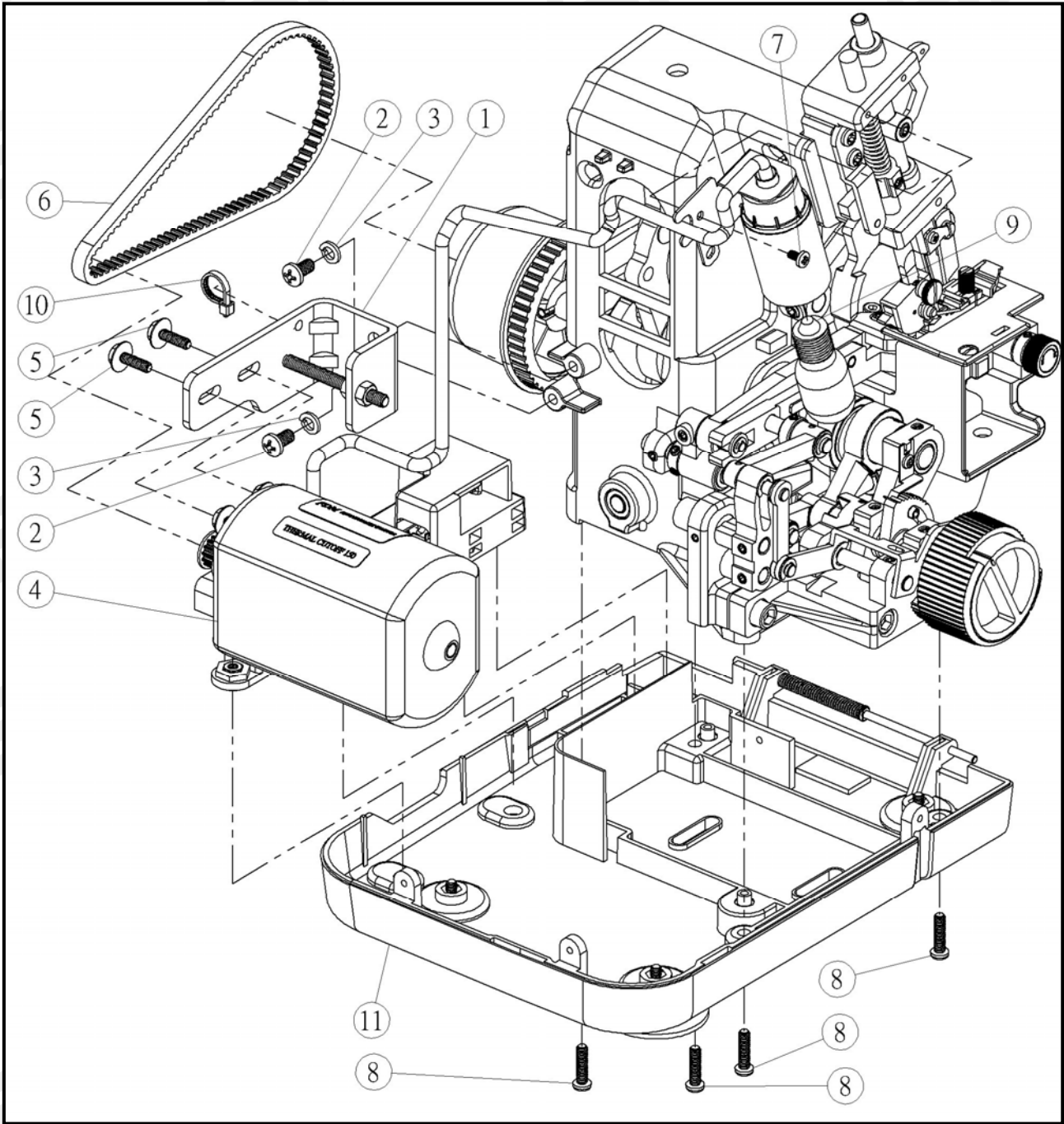
ref no	part no	name of parts
1	SP-750037002	UP LOOPER ROD
2	SP-750038003	LOWER LOOPER THREAD TAKE-UP
3	SP-750039004	UP LOOPER THREAD TAKE-UP
4	SP-301046000	SCREW
5	SP-000020006	SCREW
6	SP-750040008	SLIDE SHAFT
7	SP-750045003	PIN
8	SP-000016010	SCREW
9	SP-750249135	STICK TO THE PAPER-YELLOW
10	SP-750249146	STICK TO THE PAPER-GREEN



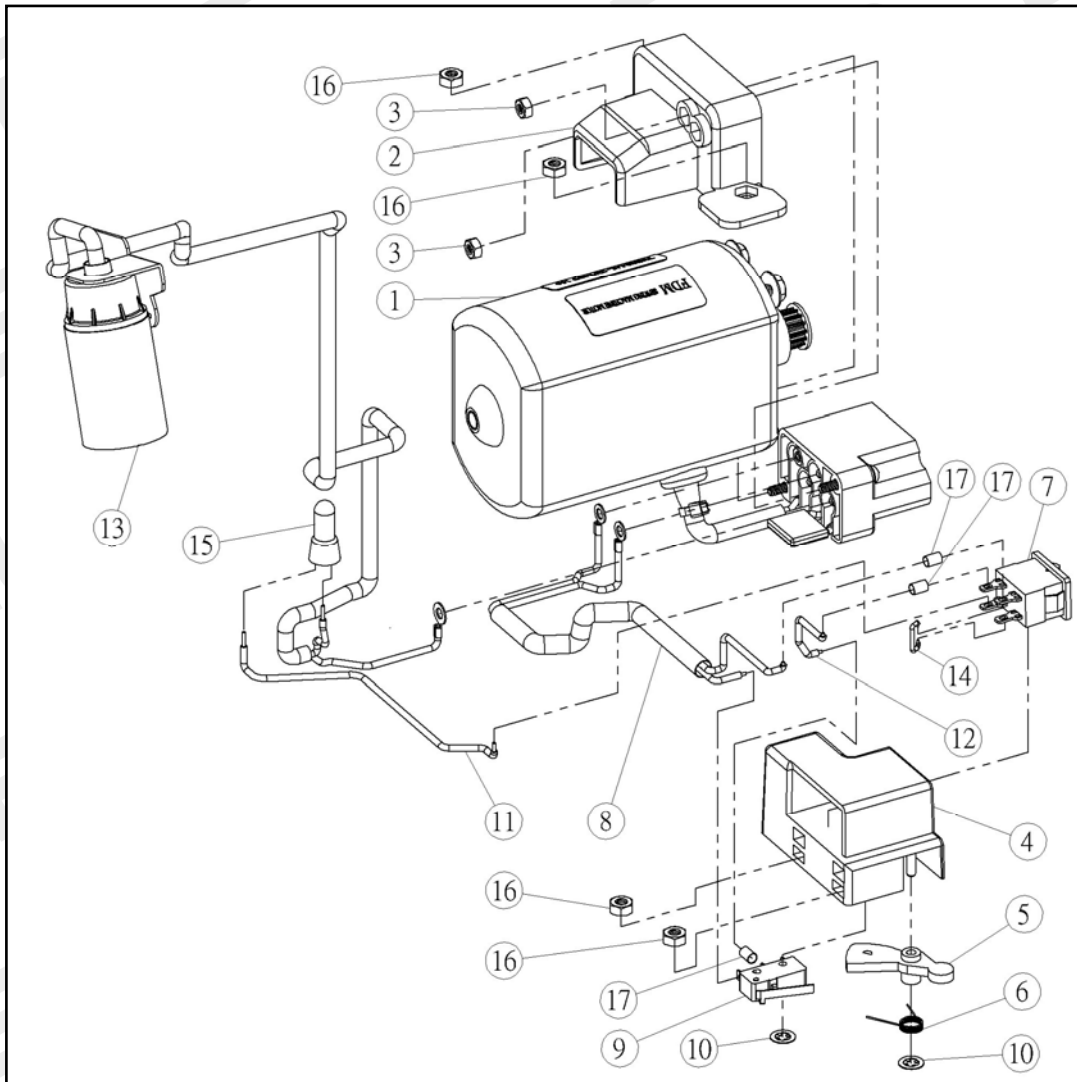
ref no	part no	name of parts
1	SP-750026008	UPPER KNIFE BASE BODY
2	SP-750027009	PIN
3	SP-760015005	UPPER KNIFE SHAFT
4	SP-000051017	SCREW



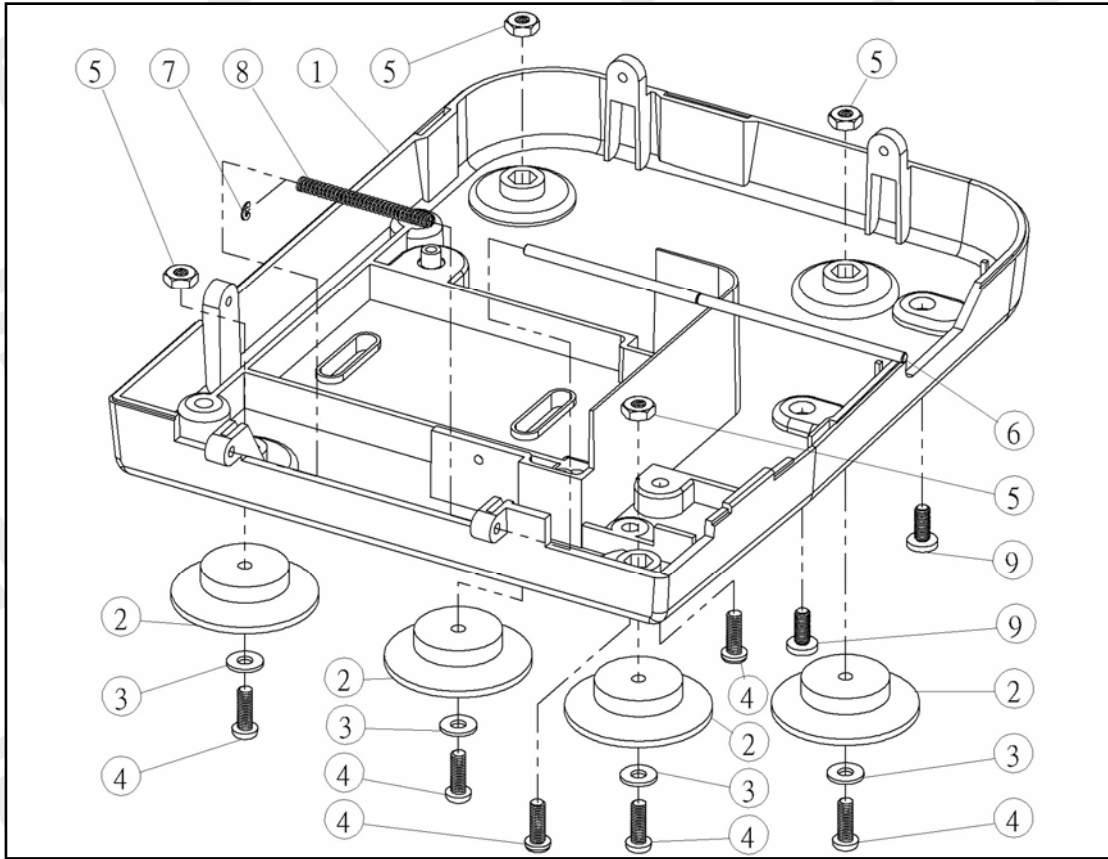
ref no	part no	name of parts
1	SP-750184005	SUPPORTING ARM
2	SP-000003508	SPRING PIN 4*20
3	SP-750185006	SHAFT BUSHING
4	SP-301046000	SCREW
5	SP-750183004	D,F ADJUSTINGROD
6	SP-750182106	D,F ADJUSTING PIN
7	SP-000000309	SNAP RING 5D
8	SP-750202000	CONNECTING ROD
9	SP-750201009	CONNECTING PIN
10	SP-000000206	SNAP RING 4D
11	SP-750206107	A,J ADJUSTING DIAL
12	SP-750168106	STITCH LENGTH DIAL
13	SP-750189000	STOP CAM
14	SP-255004000	SCREW
15	SP-750169004	SLIDE ROD BASE
16	SP-000018012	SCREW
17	SP-750190004	STOP SPRING PLATE
18	SP-750205003	STOP PLATE
19	SP-380041000	SET SCREW
20	SP-750006002	MAIN SHAFT BUSHING



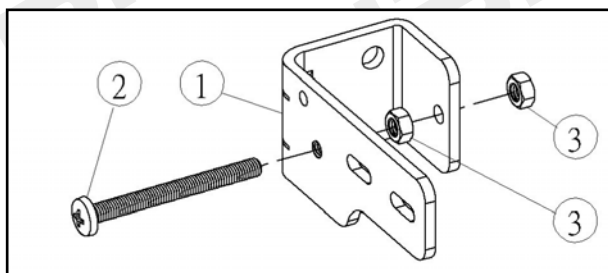
ref no	part no	name of parts	Note
1	SP-760614000	MOTOR BRACKET GROUP	GROUP
2	SP-301143008	SCREWR	
3	SP-450063008	SPRING WASHER	
4	SP-760603006	MOTOR GROUP	GROUP
5	SP-000063023	SCREWR	
6	SP-750123006	BELT	
7	SP-000016010	SCREW	
8	SP-000019079	SCREW	
9	SP-650816000	LIGHHT BULB 230V	
10	SP-351047006	BAND(L=100)	
11	SP-760604007	BASE GROUP	GROUP



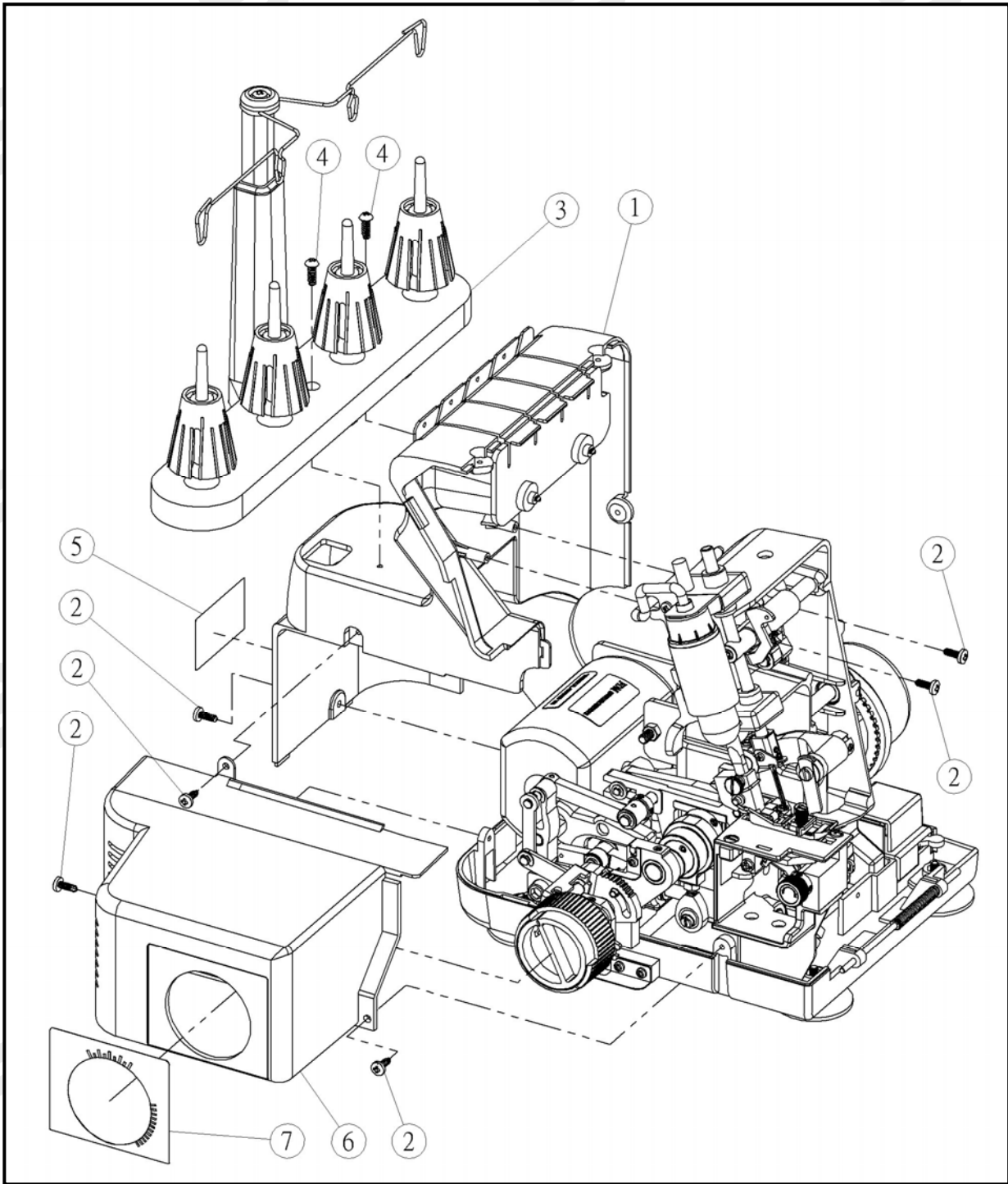
ref no	part no	name of parts
1	SP-760806001	MOTOR GROUP
2	SP-760011001	SOCKET SUPPORT COVER
3	SP-000004015	NUT
4	SP-760012002	SWITCH SUPPORT COVER
5	SP-760013003	SWITCH PRESSURE PLATE
6	SP-760014004	SWITCH PRESSUER PLATE SPRING
7	SP-750814104	SWITCH
8	SP-760801006	SWITCH CONNECTION CORD
9	SP-750815105	SAFYSWITCH
10	SP-000012005	C TYPE WASHER
11	SP-760802007	CONNECTION CORD
12	SP-760803008	SAFY SWITCH CONNECTION CORD
13	SP-760804009	CABLE 230V
14	SP-760807002	CONNECTION CORD
15	SP-301354004	CONNECTION
16	SP-301193003	NUT
17	SP-750824004	INSULATED TUBE



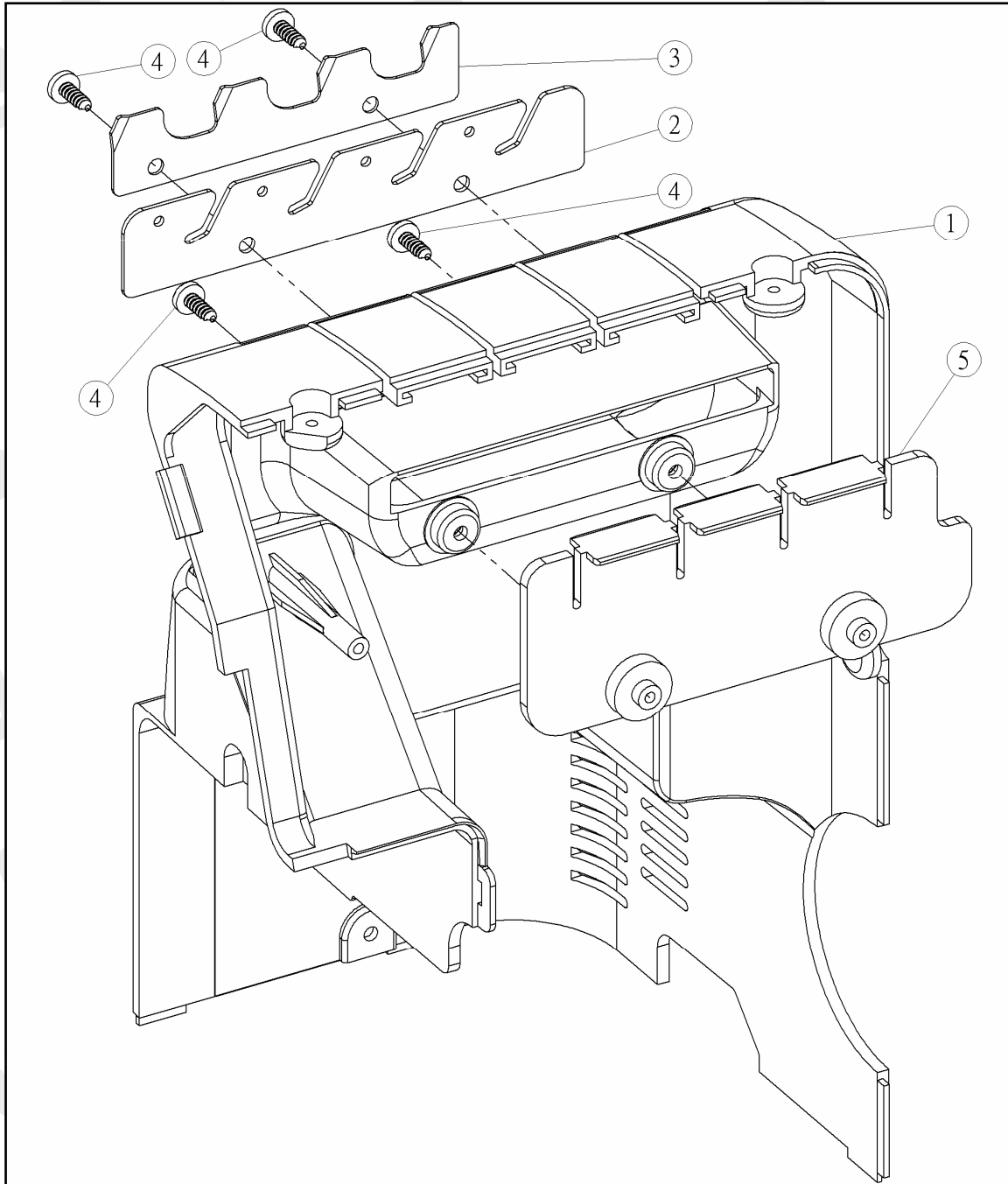
ref no	part no	name of parts
1	SP-760030006	BASE
2	SP-750130006	CUSHION RUBBER
3	SP-301009001	WASHER
4	SP-301144009	SCREW
5	SP-301193003	NUT
6	SP-760045004	HINGE SHAFT
7	SP-000000701	E RING
8	SP-750134000	SPRING
9	SP-000016032	SCREW



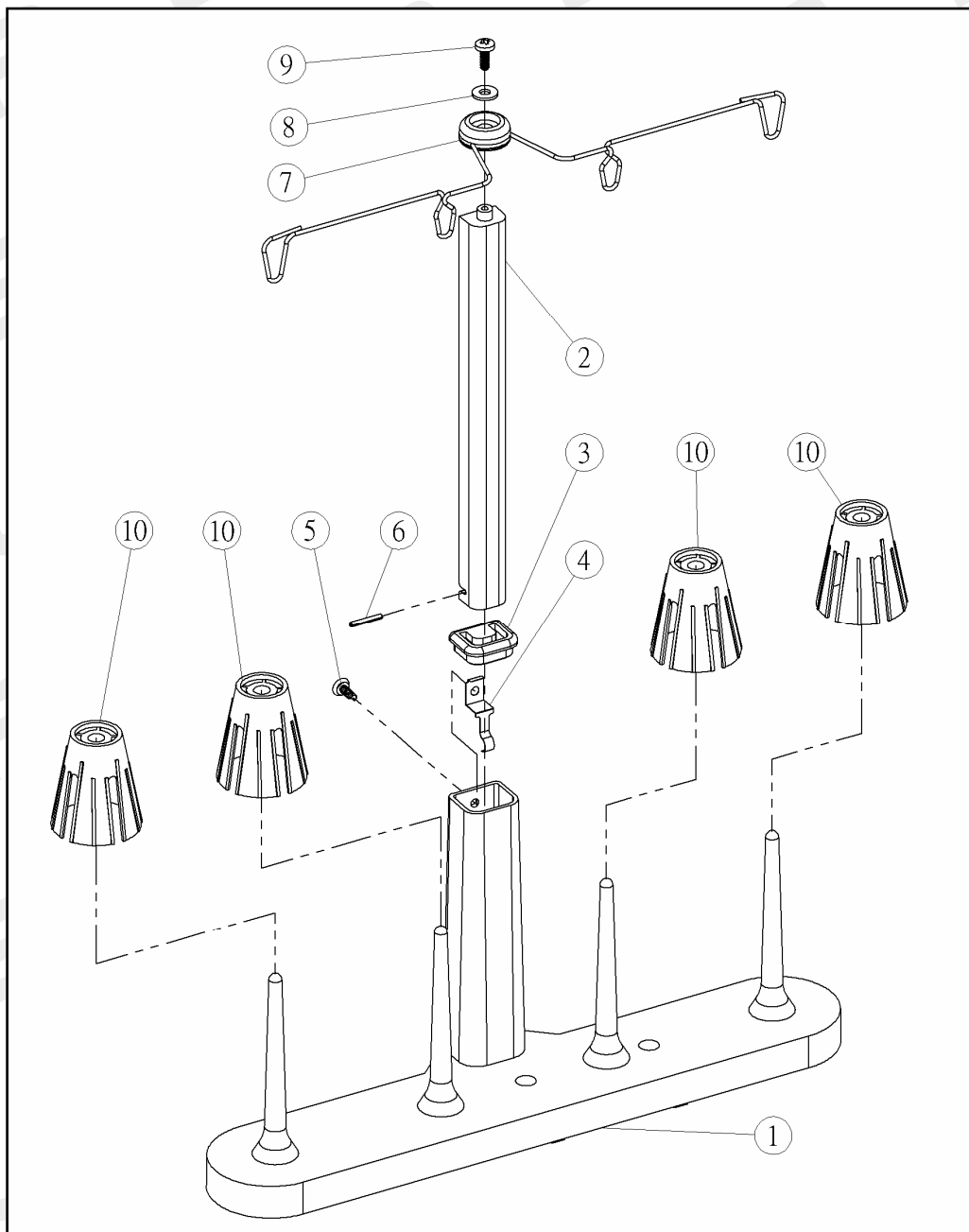
ref no	part no	name of parts
1	SP-760027000	MOTOR BRACKET
2	SP-000016098	SCREW
3	SP-351011001	NUT



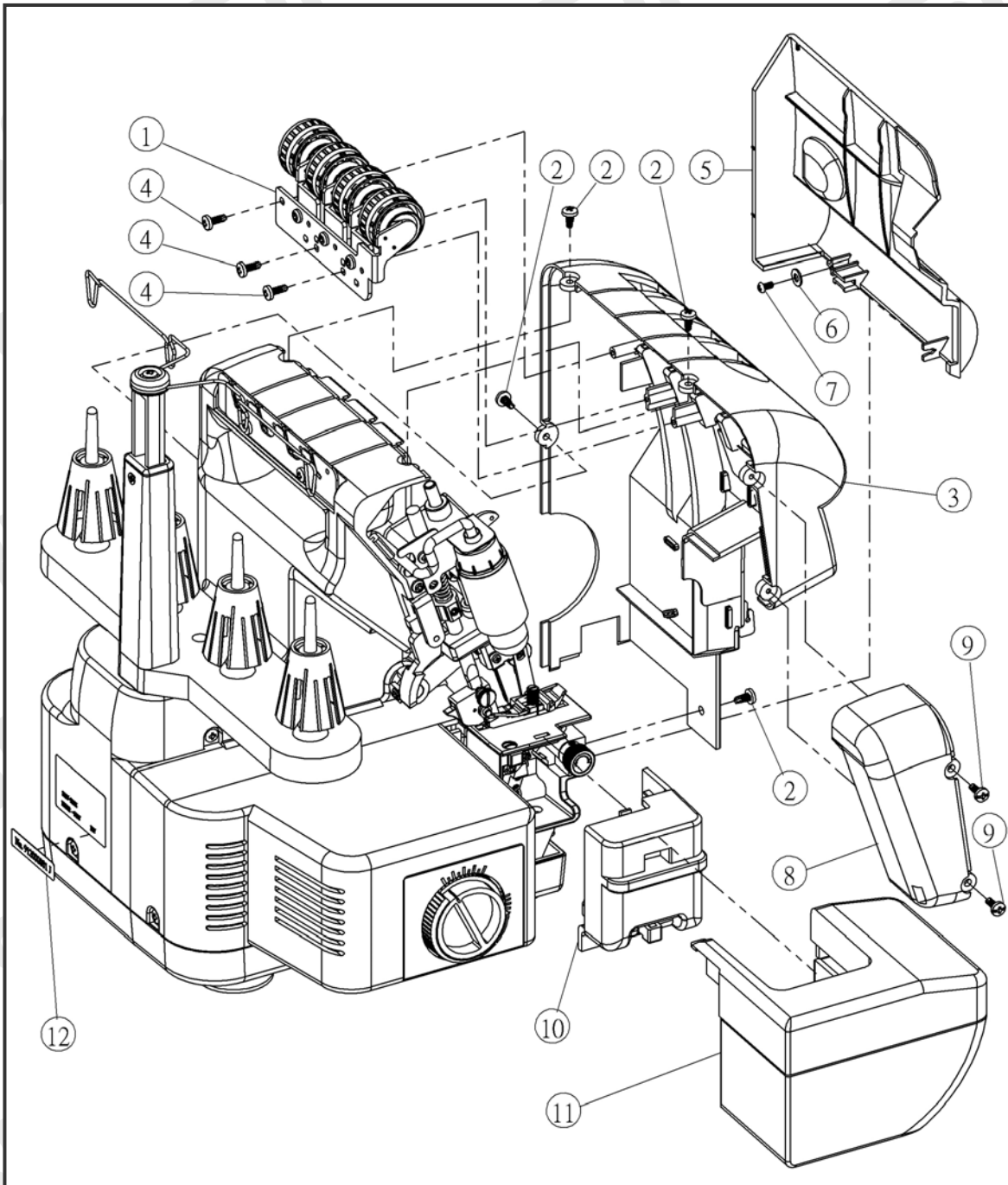
ref no	part no	name of parts	note
1	SP-760605008	BACK COVER GROUP	GROUP
2	SP-000011901	SVREW	
3	SP-760606009	THERAD GUIDE BASE GROUP	GROUP
4	SP-000011244	SCREW	
5	SP-760049008	RATING PLATE	
6	SP-760034000	SIDE COVER	
7	SP-750199106	SIDE COVER PLATE	



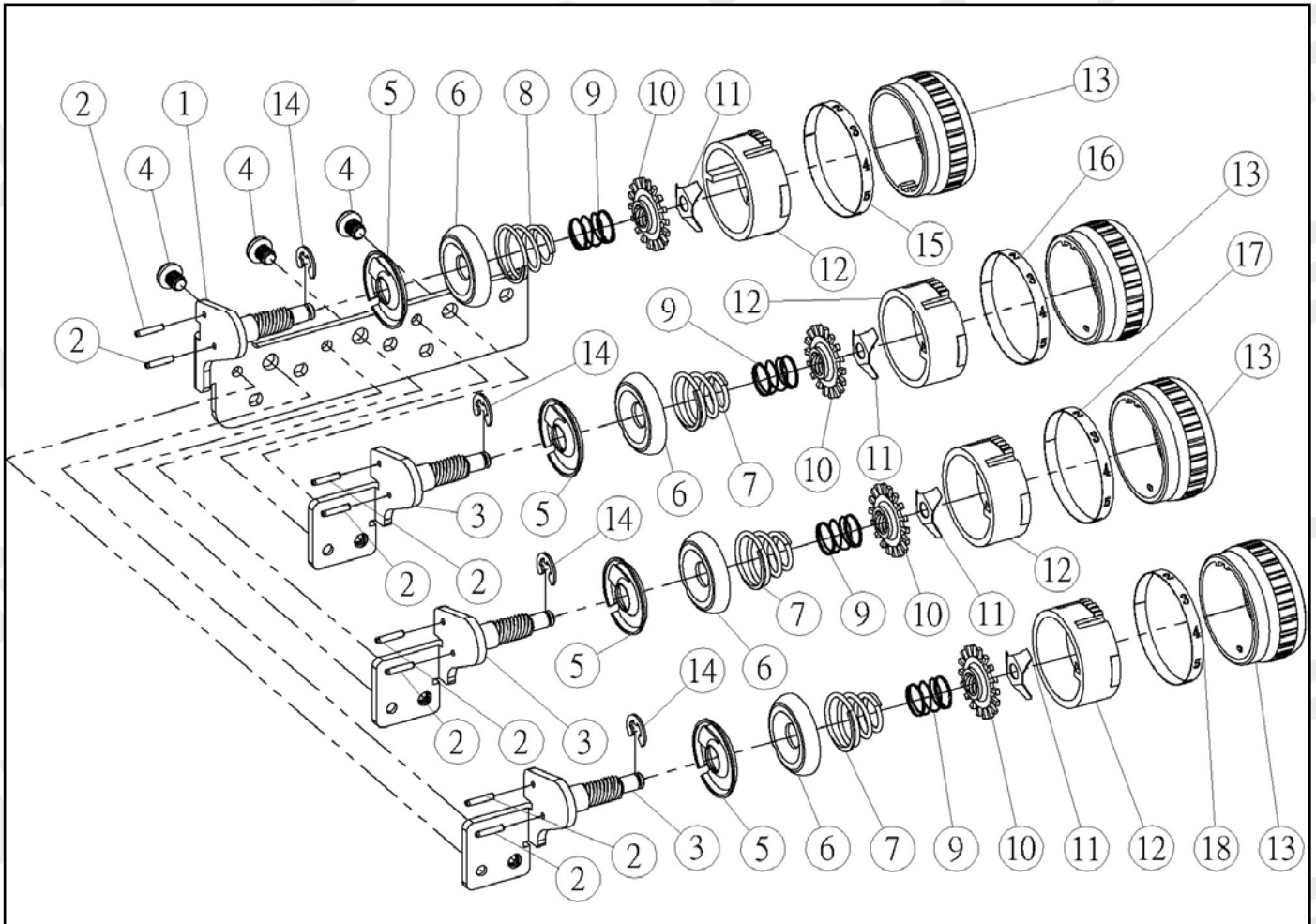
ref no.	part no.	name of parts
1	SP-760036002	BACK COVER
2	SP-760047006	THREAD GUIDE PLATE
3	SP-760038004	THREAD GUIDE
4	SP-000011901	SCREW
5	SP-760055007	SUPPORT THE BOARD



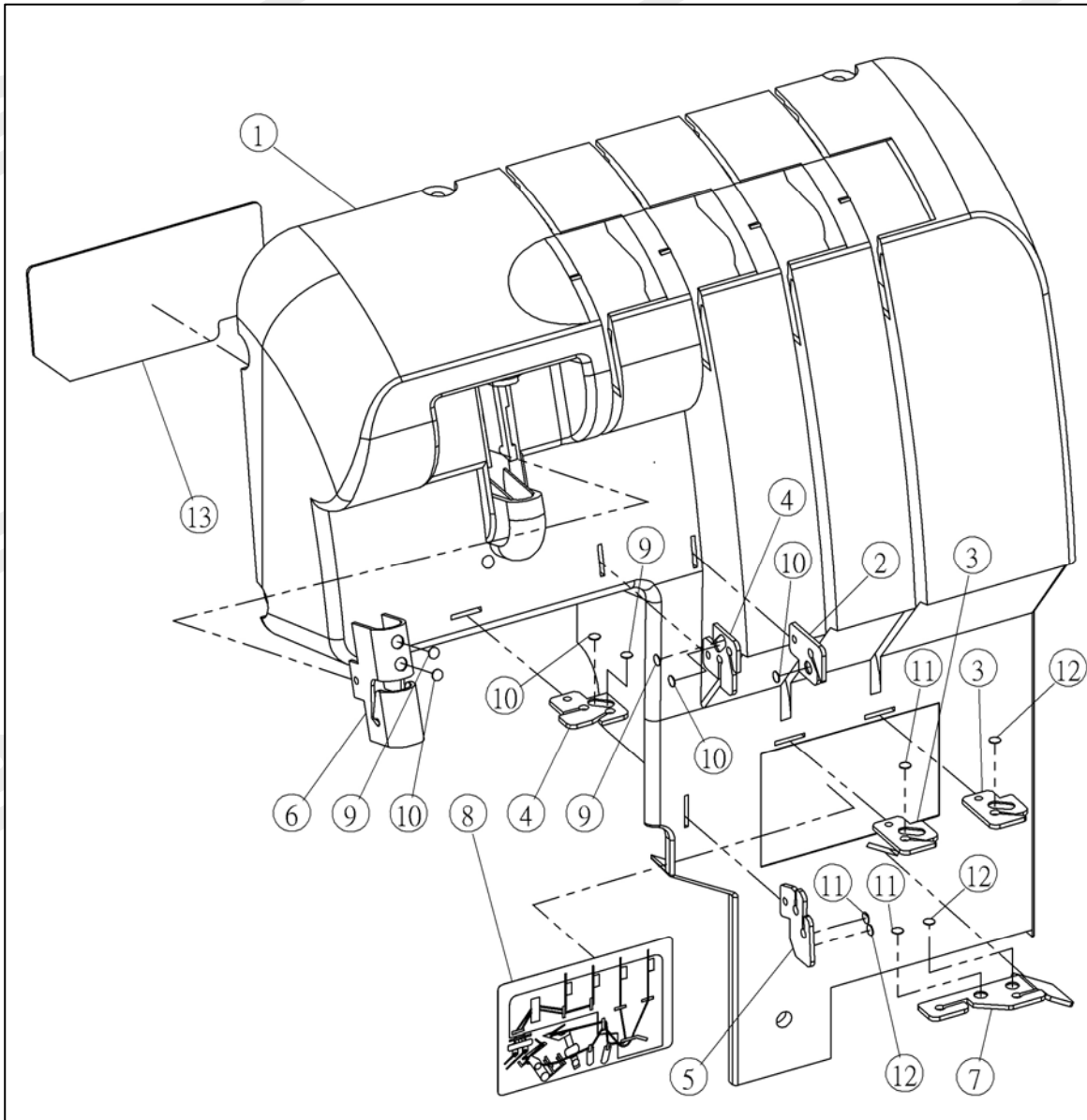
ref no	part no	name of parts
1	SP-760021004	SPOON PIN
2	SP-760022005	THREAD GUIFE BAR
3	SP-760023006	THREAD GUIDE COVER
4	SP-760024007	SPRING PLATE
5	SP-000011107	SCREW
6	SP-000003818	SPRING PIN(2* L=14)
7	SP-760025008	THREAD GUIGE BASE
8	SP-301009001	WASHER
9	SP-000011901	SCREW
10	SP-750143002	SPOOL PIN BASE



ref no	part no	name of parts	Note
1	SP-760616002	UP-TENSION COMPLETE	GROUP
2	SP-000011912	SCREW	
3	SP-760617003	FRONT UPPER COVER GROUP	GROUP
4	SP-000011901	SCREW	
5	SP-760061109	FRONT LOWER COVER	
6	SP-000014018	WASHER	
7	SP-000011211	SCREW	
8	SP-760037003	LIGHT COVER	
9	SP-000011004	SCREW	
10	SP-760608001	FREA ARM GROUP	GROUP
11	SP-760609002	EXTENSION TABLE GROUP	GROUP
12	SP-303075004	SERIAL MACHINE STICKER	

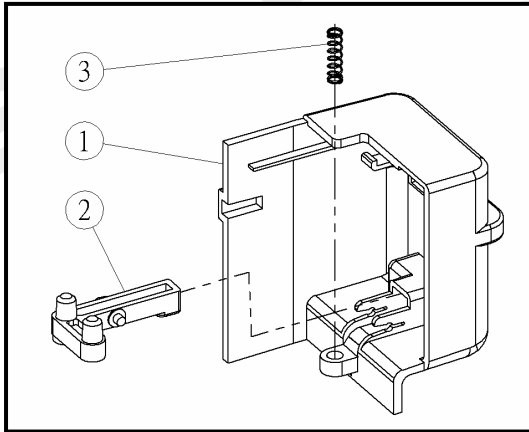


ref no	part no	name of parts	Note
1	SP-754016007	UP-TENSION SET BOARD	
2	SP-000003254	PIN	
3	SP-754015006	UP-TENSION SUPPORT BOARD	
4	SP-301037008	SCREW	
5	SP-760039005	PRESSURE BOARD	
6	SP-754019000	PRESSURE BOARD	
7	SP-754021005	SPRING	
8	SP-754028002	SPRING B	
9	SP-754036003	SPRING	
10	SP-754013004	UP-TENSION REGULATION BOARD	
11	SP-754014005	TRIDENT WASHER	
12	SP-754012003	UP-TENSION BUTTON B	
13	SP-754027012	UP-TENSION BUTTON C	
14	SP-000000206	SNAP RING 4D	
15	SP-754041023	STICK THE PAPER (RED)	
16	SP-754041034	STICK THE PAPER (BLUE)	
17	SP-754041012	STICK THE PAPER (GREEN)	
18	SP-754041001	STICK THE PAPER (YELLOW)	



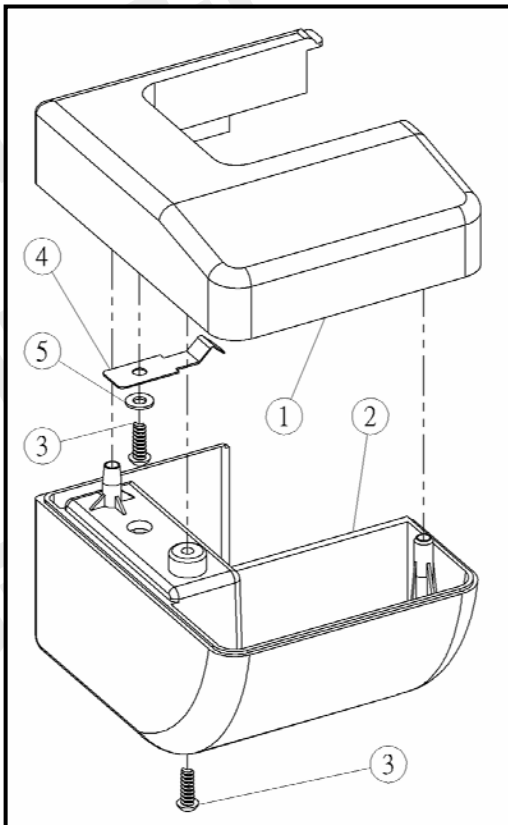
ref no	part no	name of parts
1	SP-760060108	FRONT UPPER COVER
2	SP-750211105	THREAD GUIDE A2
3	SP-750211002	THRESD GUIDE
4	SP-750212003	THREAD B2
5	SP-750214005	THREAD GUIDE D
6	SP-760043002	THERAD TAKE-UP LEVER COVER
7	SP-750213107	THREAD GUIDE C
8	SP-754018021	STICKER
9	SP-750249113	STICKER (RED)
10	SP-750249124	STICKER (BLUE)
11	SP-750249135	STICKER (YELLOW)
12	SP-750249146	STICKER (GREEN)
13	SP-760019009	FRONT HEAT COVER

760608001 FREA ARM GROUP



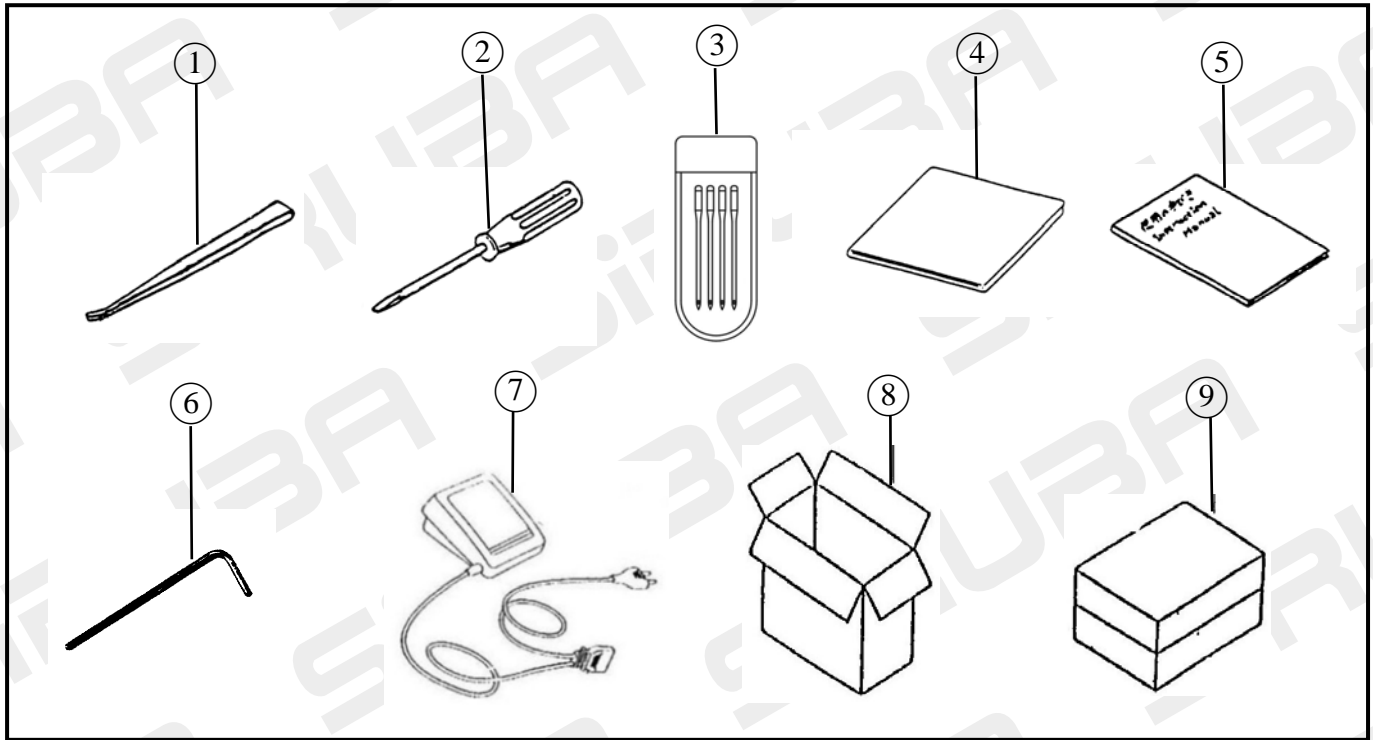
ref no	part no	name of parts
1	SP-760032008	FREA ARM
2	SP-760033009	FREE ARM PLATE
3	SP-650064005	SPRING

760609002 EXTENSION TABLE GROUP



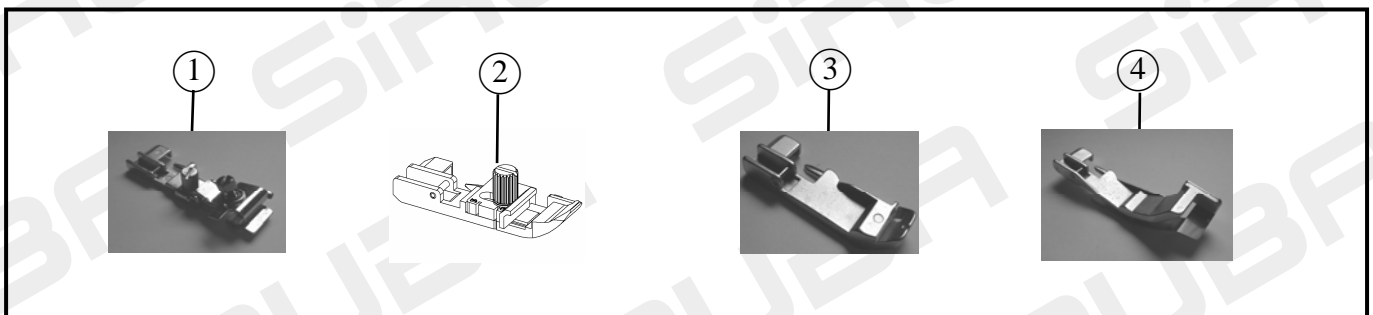
ref no	part no	name of parts
1	SP-750139005	EXTENSION TABLE (UP)
2	SP-760051003	EXTENSION TABLE (DOWN)
3	SP-000011244	SCREW
4	SP-760029002	SPRING BOARD
5	SP-000014018	WASHER

ACCESSORIES



ref no	part no	name of parts
1	SP-750402208	TWEEZERS
2	SP-750406006	SCREW DRIVER
3	SP-301652212	NEEDLE BOX COMP
4	SP-750405005	MACHINE COVER
5	SP-760409009	INSTRUCTION MANUAL
6	SP-750404004	HEXAGON WRENCH KEY
7	SP-230807004	CONTROLLER COMP
8	SP-760703007	CARTON
9	SP-760401002	POLYFOAM

ACCESSORIES (OPTION)



ref no	part no	name of parts
1.	SP-750420006	ELASTIC FOOT
2.	SP-750419002	BLIND HEM/LACE FOOT
3.	SP-750438007	CORDING FOOT
4.	SP-750507008	SHIRRING FOOT



HSO-747D

高林股份有限公司 KAULIN MFG. CO., LTD.