



ISO9001 认证



国家高新技术企业



清洁生产

JK-SHURA

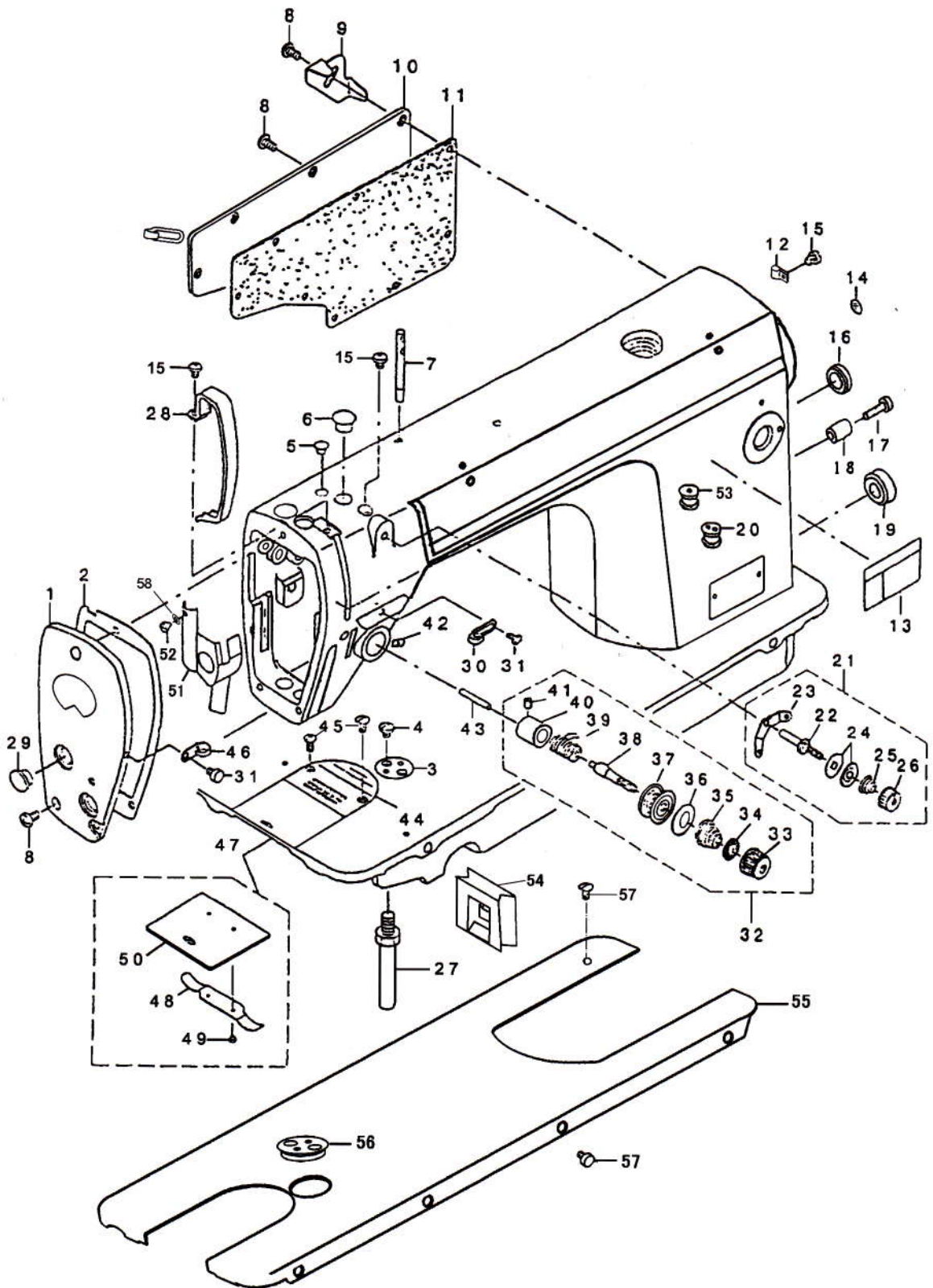
User Guide

产品使用说明书

 **杰克缝纫机**
JACK SEWING MACHINE

| [HTTP://WWW.CHINAJACK.COM](http://www.chinajack.com) |

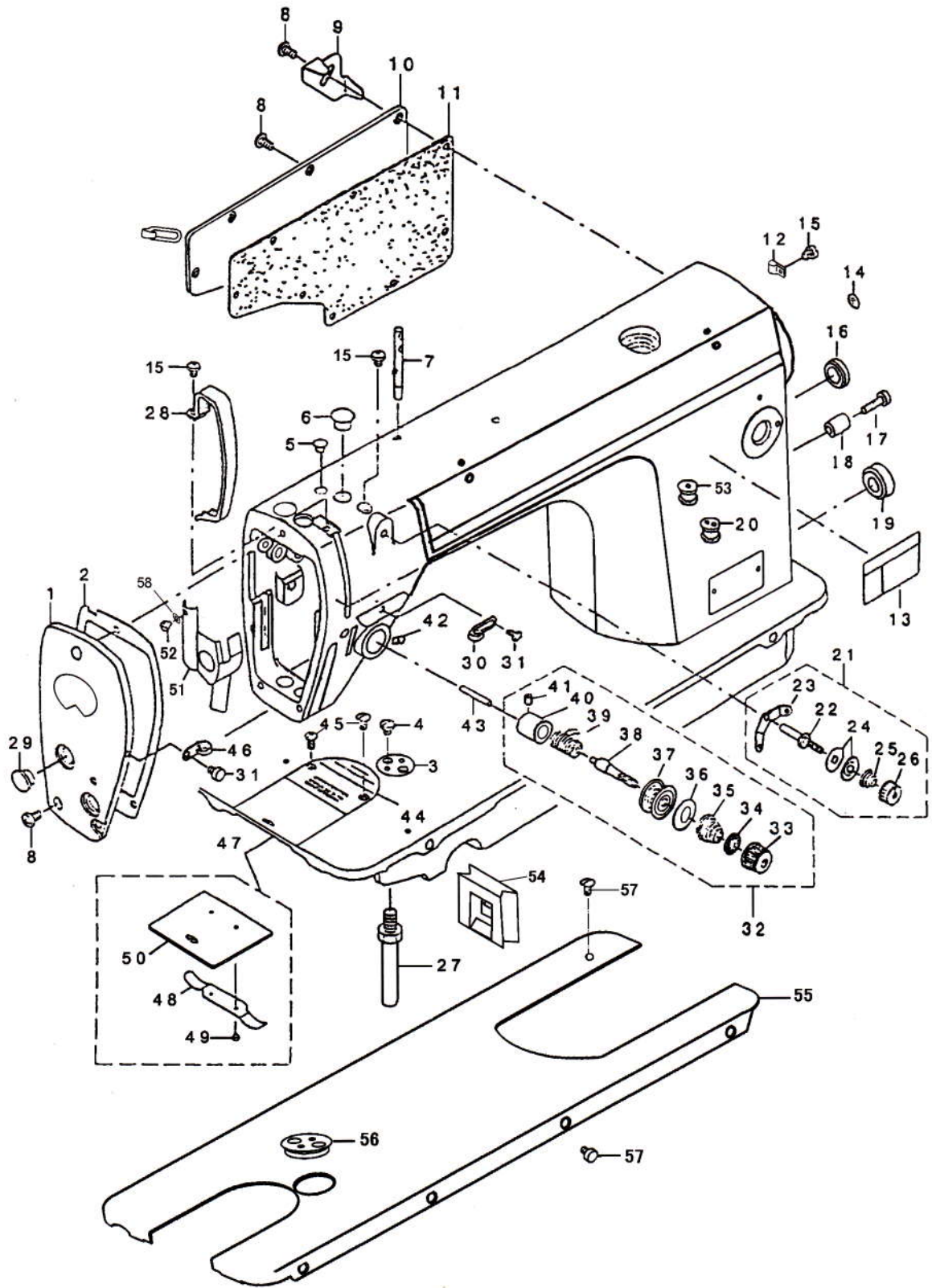
一. 机壳外装分组件 / Machine Frame & Miscellaneous Cover Components



一. 机壳外装分组件 / Machine Frame&Miscellaneous Cover Components

序号 Ref.No.	件号 Part No.	参考件号 Ref.Part No.	名称	Description	数量 Amt.
1	300240	-----	8900系列面板	Face plate asm. For 8900	1
	300207	-----	8910、8920系列面板	Face plate asm. For 8910/8920	1
	300275	-----	8988系列面板	Face plate asm. For 8988	1
2	12222001	229-02209	面板垫	Face plate gasket	1
	10422002	-----	8900系列面板垫	Face plate gasket	1
	10222001	-----	8910系列面板垫	Face plate gasket	1
3	10112002	229-02605	卷边器座	Ruler stepper	1
4	101S11002	SS-7110540-SP	螺钉SM 11/64 × 40 L=8.5	Screw SM 11/64 × 40 L=8.5	2
5	10122004	TA-1250705-R0	针杆曲柄螺孔塞	Rubber plug	1
6	10122005	TA-0850604-R0	挑线连杆销螺孔塞	Rubber plug	1
7	11212001	229-58300	过线柱	Thread guide rod	1
8	101S11001	SS4120915-SP	后窗板螺钉	Screw 3/16 × 28 L=9	12
9	11212002	229-54705	电线压板	Cord hold	1
10	300237	-----	后窗板(带自动抬压脚)	Side plate(with the Auto-lifter)	1
	300096	229-00401	后窗板	Side plate	1
11	10422001	110-00619	后窗板垫	Gasket	1
	11222010	-----	后窗板垫(带自动抬压脚)	Gasket(with the Auto-lifter)	1
12	11212005	-----	定位器线夹	Holder	1
13	11237001	-----	警告标记	Safety label. 3(small)	1
14	11237002	-----	接地标记	Ground mark	1
15	101S11004	SS-4120615-SP	螺钉 SM 3/16 × 28 L=6	Screw SM 3/16 × 28 L=6	3
16	10122006	TA-2000502-R0	送料调节器孔塞	Rubber plug	1
17	112S11002	SS-6121840-SP	螺钉 SM 3/64 × 28 L=6	Screw SM 3/64 × 28 L=6	1
18	11203001	229-52501	倒送料板手定位套	Reverse feed lever stopper	1
19	10122007	TA-2101002-R0	下轴工艺孔塞	Rubber plug	1
20	11222001	229-35308	橡皮塞(双孔)	Rubber bushing	1
21	1131300100	229-45463	小夹线器组件	Thread tension asm.	1
22	113S20003	229-45414	小夹线器螺钉	First tension post	1
23	11312010	229-45604	小夹线器过线板	Thread tension guide	1
24	11312011	229-45802	小夹线板	Bobbin winder tension disc	2
25	11327007	229-45505	小夹线弹簧	Thread tension spring	1
26	113S16003	229-45703	小夹线螺母	Thread tension nut	1
27	101S12001	229-01003	底板支柱	Bed screw stud	4
28	300243	229-00609	挑线杆护罩	Thread take-up lever cover	1


一. 机壳外装分组件(续) / Machine Frame & Miscellaneous Cover Components (Continuation)




一. 机壳外装分组件(续) / Machine Frame&Miscellaneous Cover Components(Continuation)

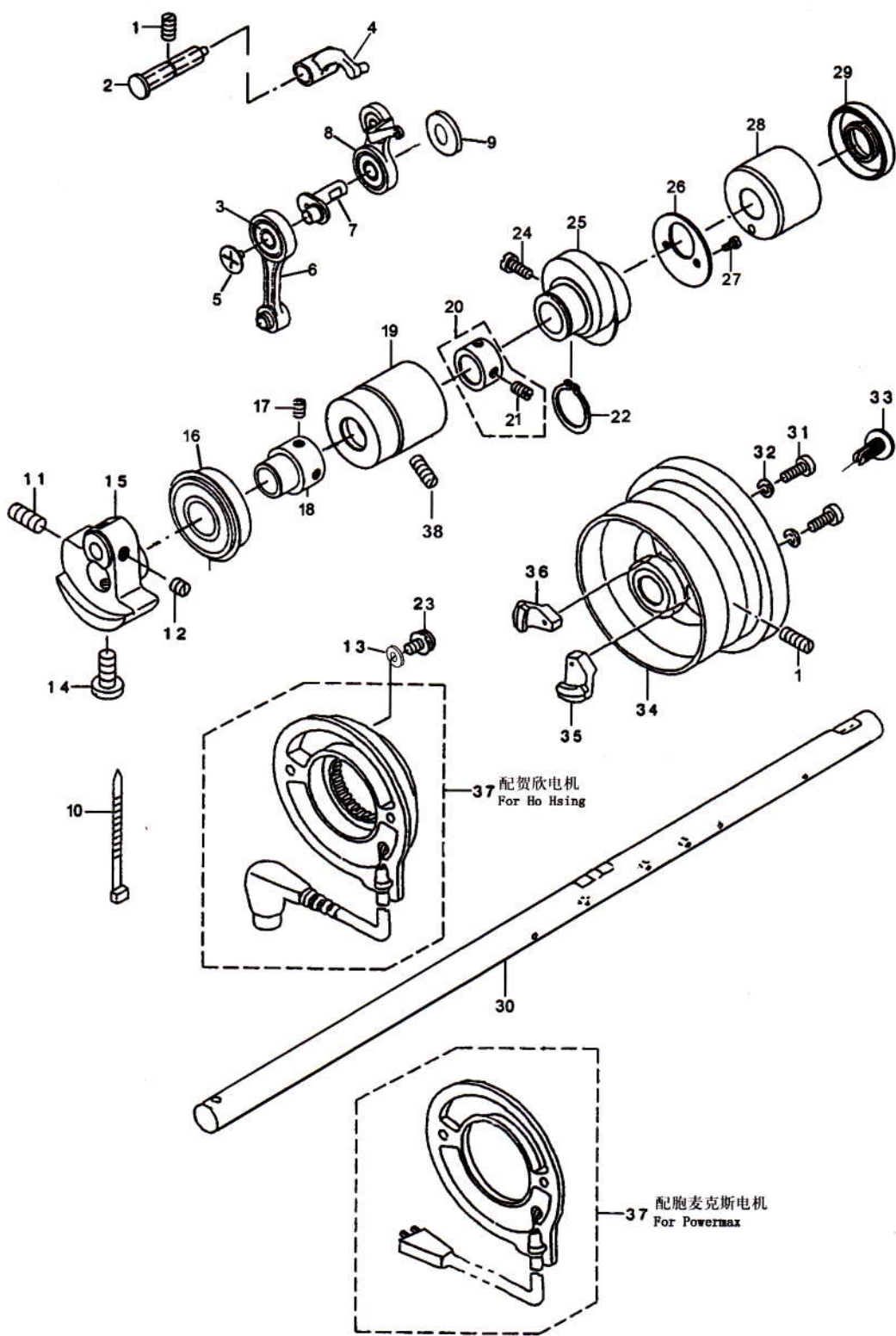
序号 Ref.No.	件号 Part No.	参考件号 Ref.Part No.	名称	Description	数量 Amt.
29	10122003	TA-1250406-R0	调节螺孔塞D=1.25 l=4	Rubber plug	2
30	10113004	229-20508	右线钩	Arm thread guide A	1
31	101S11007	110-01500	螺钉 SM 11/64 × 40 L=6	Screw SM 11/64 × 40 L=6	2
32	1041300300	229-45356	夹线器组件	Thread tension asm.	1
33	112S16002	229-21308	夹线螺母	Tension nut	1
34	10112007	229-21407	夹线制动板	Rotating stopper	1
35	10127002	229-21704	夹线弹簧	Tension spring A	1
36	10112006	229-21803	松线板	Thread tension disk presser	1
37	10112005	229-21506	夹线板	Thread tension dis	2
38	101S30002	229-21209	夹线螺钉	Tension post	1
39	10127001	229-21605	挑线簧	Take-up spring	1
40	10103011	229-45307	挑线簧调节座	Tension post socket	1
41	101S15005	SS-8090670-SP	螺钉SM 9/64 × 40 L=5.5	Screw SM 9/64 × 40 L=5.5	1
42	101S15010	SS-8050710-SP	螺钉SM15/64 × 40 L=8.5	Screw SM 15/64 × 28 L=7	1
43	10126002	B3118-552-E00	松线钉	Tension releasing	1
44	10115001	B1109-012-10B	针板	Throat plate	1
45	104S17002	SS-2110920-TP	螺钉 SM11/64 × 40 L=8.5	Screw SM 11/64 × 40 L=8.5	2
46	10113005	229-20607	左线钩	Arm thread guide B	1
47	1011500200	229-01250	推板组件	Slide plate asm.	1
48	10127009	229-01300	推板簧	Bed slide spring	1
49	101S11019	SS-6060210-SP	螺钉 SM3/32 × 56 L=1.9	screw SM 3/32 × 56 L=1.9	2
50	10115002	229-01201	推板	Slide plate asm	1
51	10412007	229-00757	面部防油板	Arm oil shifld asm.	1
52	101S11027	SS-6080410-SP	螺钉 SM1/8 × 44 L=4	Screw SM1/8 × 44 l=4	1
53	11222003	229-35209	橡皮塞 (单孔)	Rubber bushing	1
54	11222002	209-35407	切线连杆橡皮塞 (平刀)	Rubber plate	1
55	10312005	-----	不锈钢缝台	Cover	1
56	10412010	-----	专用卷边器座	Ruler stepper	1
57	101S17002	SS-2110920-TP	螺钉 SM11/64 × 40 L=8.5	Screw SM 11/64 × 40 L=8.5	9
58	10128005	-----	垫片	Washer	1

注: 零件样本中采用了两种线框符号

①、 虚线框表示同一部件的零部件

②、 点线框表示现已不用或改进的零部件

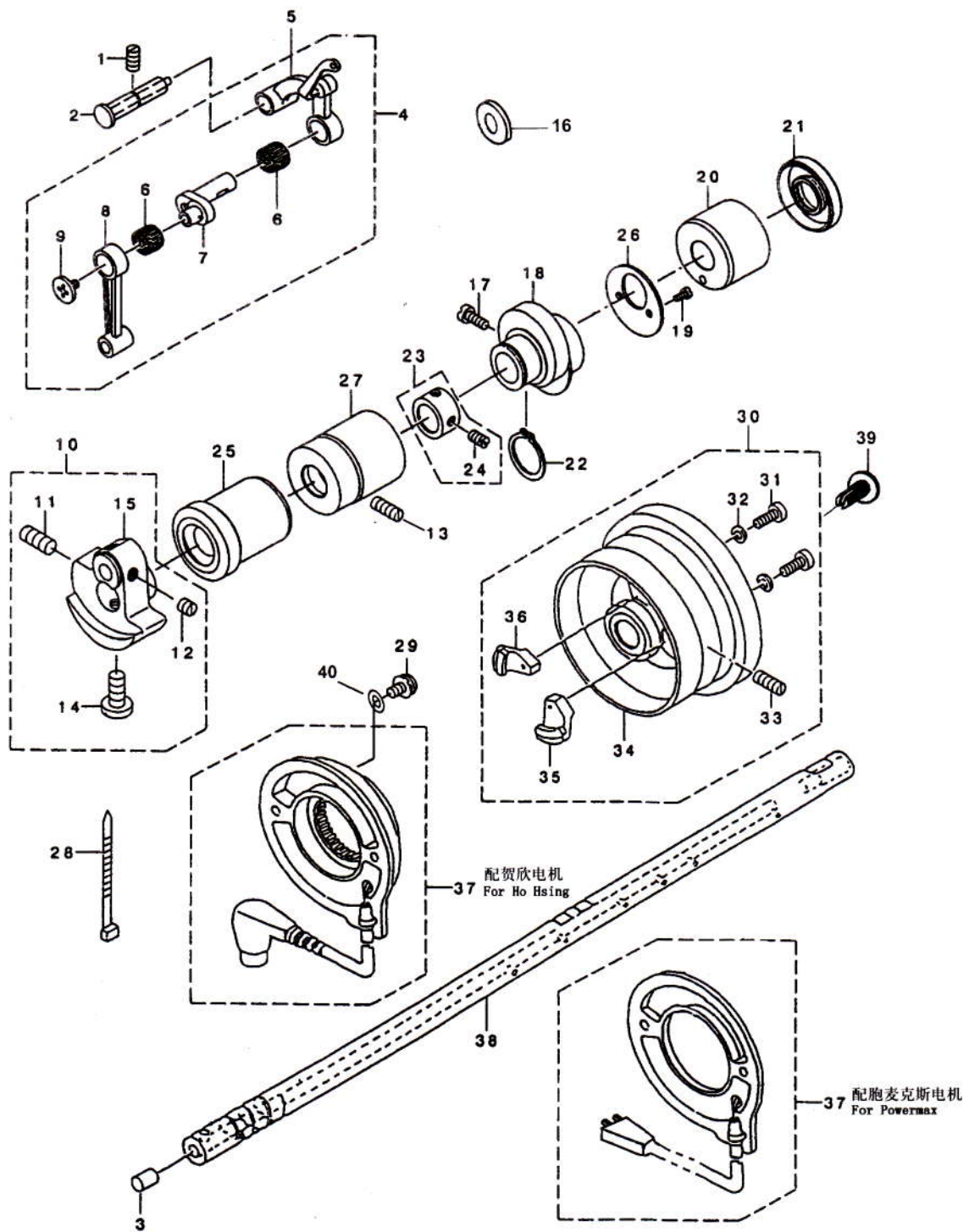
二. 上轴挑线分组件(头部无油) / Main Shaft&thread Take-up Components(Dry Head)



二. 上轴挑线分组件(头部无油) / Main Shaft&thread Take-up Components(Dry Head)

序号 Ref.No.	件号 Part No.	参考件号 Ref.Part No.	名称	Description	数量 Amt.
1	101S15001	SS-8151150-SP	螺钉 SM15/64" × 28 L=15	Screw SM15/64" × 28 L=15	1
2	12226001	229-19559	挑线连杆销	Thread take-up crank shaft asm.	1
3	B04008	-----	轴承698ZZ	Bearing 685ZZ	2
4	12205001	-----	挑线连杆	Needle bar crank rod	1
5	101S17001	-----	螺钉 SM9/64" × 40 L=6	Left screw SM9/64" × 40 L=6	1
6	12205002	-----	针杆连杆组件	Needle bar crank rod	1
7	1220400200	-----	挑线曲柄分部件	Thread take-up lever asm.	1
8	12238001	-----	挑线杆分组件	Thread take-up lever asm.	1
9	10112003	-----	针杆曲柄护板	Cunter weight protecting plate	1
10	11211005	-----	尼龙扎带	Bale band	3
11	101S15004	EA-9500B01-00	螺钉 SM9/32" × 28 L=16	Screw SM9/32" × 28 L=16	1
12	101S15002	SS-8681650-TP	螺钉 SM1/4" × 40 L=6	Screw SM1/4" × 40 L=6	2
13	10128002	SS-8660610-TP	垫片	Washer	2
14	101S11003	R0-0442401-00	螺钉 SM9/32" × 28 L=16	Screw SM9/32" × 28 L=16	1
15	12204001	SS-7681650-TP	针杆曲柄	Counter weight	1
16	B10003	229-03108	轴承6004ZZN	Bearing 6004ZZN	1
17	S10009	-----	螺钉 M6x8	Screw M6x8	1
18	1220300100	-----	上轴前轴套分部件	Main shaft front bushing asm.	1
19	12203002	-----	上轴中轴套	Bushing, intermediate	1
20	10408001	229-03306	上轴挡圈	Thrust collar asm.	1
21	10422003	229-04115	螺钉 SM1/4" × 40 L=6	Screw SM1/4" × 40 L=6	2
22	H03002	SS-8660610-TP	挡圈20	Snipe ring	1
23	101S11001	RC-1850001-KP	螺钉 SM3/16" × 28 L=9	Screw SM3/16" × 28 L=9	2
24	101S11013	SL-4051001-MZ	送料偏心轮螺钉	Screw	2
25	10410001	SS-6661110-SP	送料偏心轮	Feed drive eccentric cam asm.	1
26	10112017	229-10004	送料偏心轮盖板	Thrust collar	1
27	101S11005	229-10103	螺钉 SM9/64" × 40 L=5.5	Screw SM9/64" × 40 L=5.5	2
28	10103001	SS-6090650-SP	上轴后轴套	Main shaft bushing, rear	1
29	10422003	110-02409	上轴油封	Oil seal	1
30	12202001	110-02508	主轴	Main shaft	1
31	112S11003	229-03009	螺钉 SM11/64" × 40 L=12	Screw SM11/64" × 40 L=12	2
32	W01013	SS-6111210-SP	垫圈 4.5	Washer 4.5	2
33	101S30001	WP-0450801-SD	螺钉 SM5/16" × 24 L=14	Screw SM5/16" × 24 L=14	1
34	11235002	-----	上轮	Hand wheel asm	1
35	11230001	229-37056	电磁铁 (汉迪)	Magnet fitting base A asm.(PMX)	1
	11230019	229-37155	电磁铁 (贺欣)	Magnet fitting base A asm.(HO HSING)	1
36	11230002	-----	电磁铁 (汉迪)	Magnet fitting base B asm. (PMX)	1
	11230020	229-37254	电磁铁 (贺欣)	Magnet fitting base A asm.(HO HSING)	1
37	11230014	-----	110定位器 (汉迪)	Dynamo stator (PMX)	1
	11230003	-----	定位器 (贺欣)	Dynamo stator (Ho Hsing)	1
38	101S15006	-----	螺钉	Screw	1

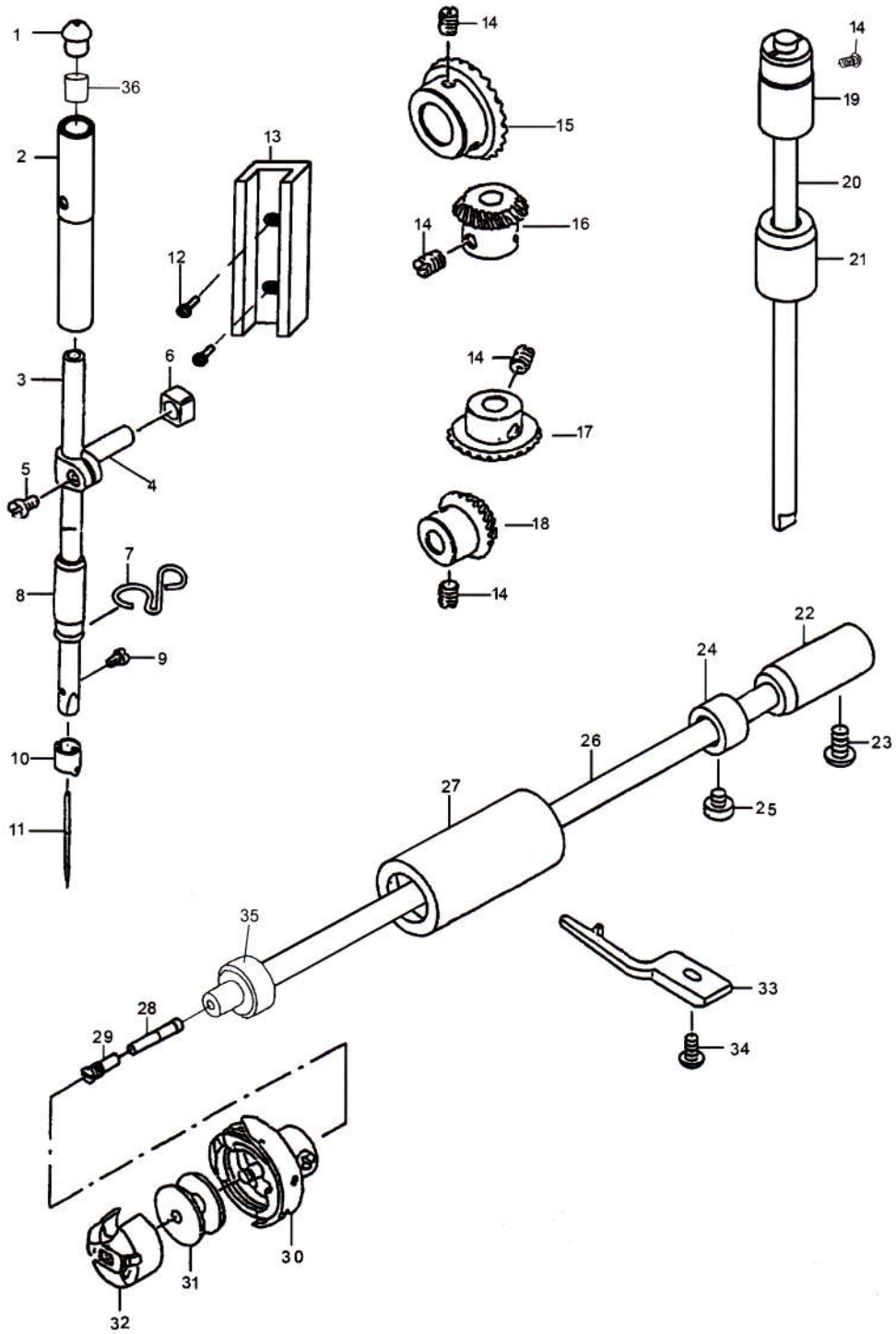
二. 上轴挑线分组件(有油) / Main Shaft & Thread Take-up Components (With Oil)



二. 上轴挑线分组件(有油) / Main Shaft & Thread Take-up Components (With Oil)

序号 Ref.No.	件号 Part No.	参考件号 Ref.Part No.	名称	Description	数量 Amt.
1	101S15001	SS-8151150-SP	螺钉SM15/64 × 28 L=10.5	Screw SM15/64-28 L=10.5	1
2	10126001	229-19559	挑线连杆销	Thread take-up crank shaft asm	1
3	10122012	110-02904	上轴孔塞	Roller felt	1
4	1043800100	110-39070	挑线杆组件	Thread take-up lever asm.	1
5	10405001	110-39062	挑线连杆	Thread take-up lever asm.	(1)
6	10124001	B1905-541-B00	挑线杆滚针轴承	Needle bearing	(2)
7	10404006	110-05204	挑线曲柄部件	Needle bar crank	(1)
8	10405002	B1408-552-000	针杆连杆	Needle bar crank rod	(1)
9	101S17001	B1903-552-000	左螺钉	Left screw	(1)
10	11200001	229-03157	针杆曲柄部件	Counter weight asm.	1
11	101S15004	SS-8681650-TP	螺钉SM9/32 × 28 L=16	Screw SM9/32-28 L=16	(1)
12	101S15002	SS-8660610-TP	螺钉SM1/4 × 40 L=6	Screw SM1/4-40 L=6	(2)
13	101S15006	RO-0442401-00	螺钉	Screw	1
14	101S11003	SS-7681650-TP	螺钉SM9/32 × 28 L=6	Screw SM9/32-28 L=16	(1)
15	10104001	229-03108	针杆曲柄	Counter weight	(1)
16	10112003	-----	针杆曲柄护板	Counter weight proteding plate	1
17	101S11013	SS-6661110-SP	螺钉SM1/4 × 40 L=11	Screw SM1/4-40 L=11	(2)
18	10110003	229-10004	送料偏心轮	Feed drive eccentric cam	(1)
19	101S11005	SS-6090650-SP	螺钉SM9/64 × 40 L=6	Screw SM9/64-40 L=6	2
20	10103001	110-02409	上轴后轴套	Main shaft bushing, rear	1
21	10422003	110-02508	上轴油封	Oil seal	1
22	H03002	RC-1850001-KP	抬牙连杆轴用挡圈	Snap ring 18.5	1
23	10108001	229-04155	上轴挡圈组件	Thrust collar asm.	1
24	101S15002	SS-8660610-TP	螺钉SM1/4 × 40 L=6	Screw SM1/4-40 L=6	(2)
25	1040300300	229-03207	上轴前轴套	Main shaft front bushing	1
26	10112017	229-10103	送料偏心轮盖板	Thrust collar	1
27	10403002	229-03306	上轴中轴套	Bushing,intermediate	1
28	11211005	EA-9500B01-00	尼龙扎带	Cable band	1
29	101S11001	SL-4051001-MZ	螺钉M5 L=9.6	Screw M5 L=9.6	2
30	11200002	229-37064	上轮组件	Hand wheel compl.	1
31	112S11003	SS-6111210-SP	螺钉SM11/64 × 40 L=12	Screw SM11/64-40 L=12	(2)
32	W01013	WP-0450801-SD	垫圈4.5	Washer 4.5X10X0.8	(2)
33	101S15001	SS-8151550-SP	上轮螺钉SM15/64 × 28 L=15	Screw SM15/64-28 L=15	(2)
34	11235001	229-37056	上轮	Hand wheel asm.	(1)
35	11230001	229-37155	电磁铁 (汉迪)	Magnet fitting base A asm.(PMX)	1
	11230019	-----	电磁铁 (贺欣)	Magnet fitting base A asm.(Ho Hsing)	1
36	11230002	229-37254	电磁铁 (汉迪)	Magnet fitting base B asm.(PMX)	1
	11230020	-----	电磁铁 (贺欣)	Magnet fitting base A asm.(Ho Hsing)	1
37	11230014	229-37965	110定位器 (汉迪)	Dynamo stator (PMX)	1
	11230003	-----	定位器 (贺欣)	Dynamo stator (Ho Hsing)	1
38	10102001	-----	上轴	Main shaft	1
39	101S30001	229-03009	螺钉	Screw	1
40	10128002	-----	垫片	Washer	2

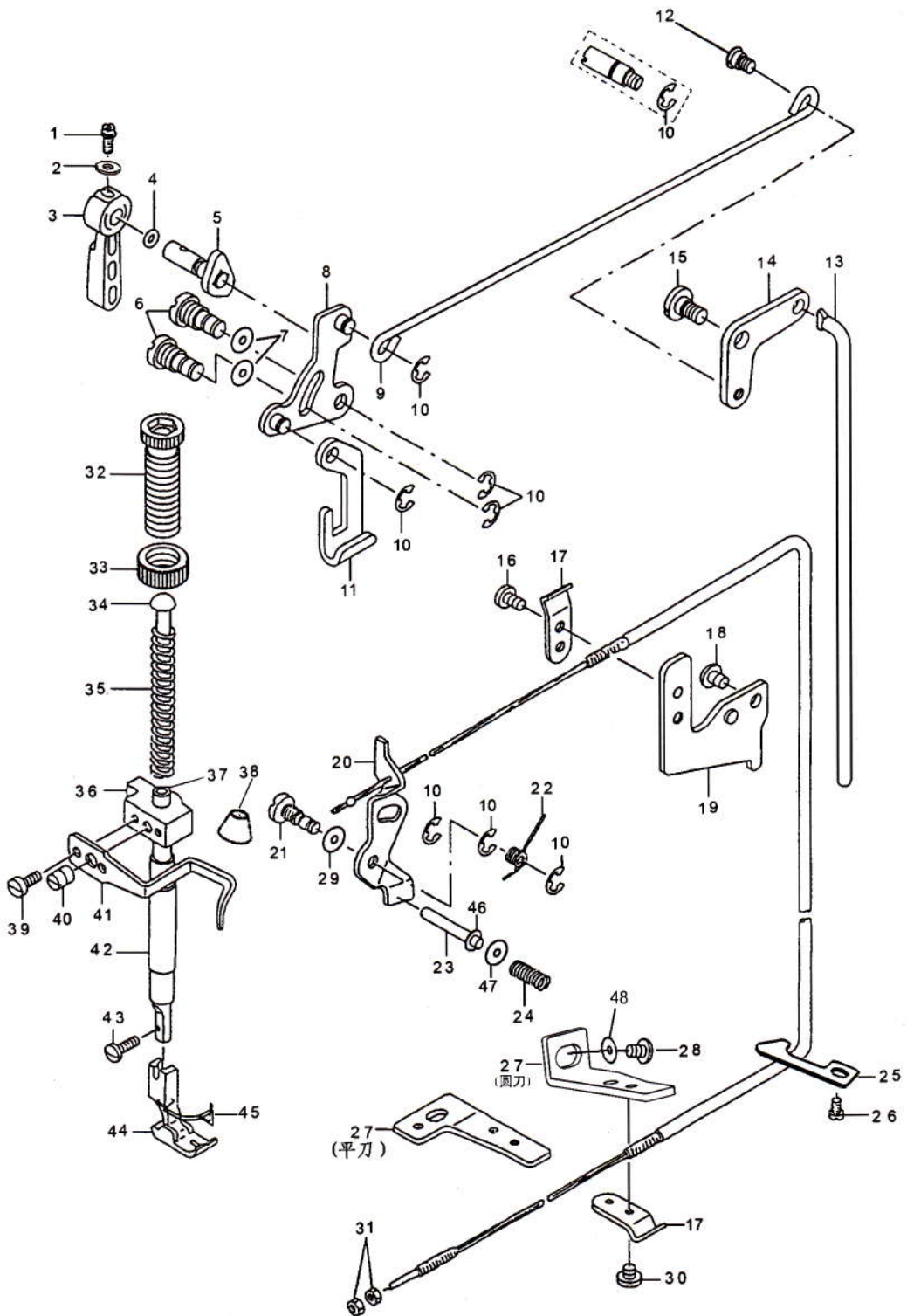
三. 针杆、竖轴、下轴部件 / Needle Bar, upright Shaft & hook Driving Shaft Components



三. 针杆、竖轴、下轴部件 / Needle Bar, upright Shaft & hook Driving Shaft Components

序号 Ref.No.	件号 Part No.	参考件号 Ref.Part No.	名称	Description	数量 Amt.
1	10122013	229-01409	针杆上衬套孔塞	Cap	1
2	10103009	229-06101	针杆上衬套	Needle bar bushing upper	1
3	12202002	229-39508	针杆	Needle bar	1
4	10138002	229-06457	针杆连接柱	Needle rod holder asm.	1
5	101S11005	SS-6090670-TP	螺钉 SM9/64" × 40 L=6	Screw SM9/64" × 40 L=6	1
6	10109001	229-06507	针杆连接柱滑块	Slide block	1
7	10413001	229-20805	针杆下衬套线钩	Needle bar thread guide	1
8	10403008	229-06200	针杆下衬套	Needle bar bushing, lower	1
9	104S11006	SS-7080510-TP	螺钉 SM1/8" × 44 L=4.5	Screw SM1/8" × 44 L=4.5	1
10	10113002	229-06309	针杆线钩	Needle bar thread guide	1
11	10117001	MDB-100B1400	机针(14#)	Needle	1
12	101S11008	-----	螺钉 SM11/64" × 40 L=8	Screw SM11/64" × 40 L=8	2
13	10109002	-----	针杆接头滑块导轨	Needle bar guide	1
14	101S15006	SS-860810-TP	螺钉 SM15/64" × 28 L=7	Screw SM15/64" × 28 L=7	9
15	10425004	B1305-012-0A0	上轴伞齿轮	Gear & pinion asm., upper	1
16	10425003	B1306-155-0A0	竖轴上伞齿轮	Gear asm. large	1
17	10425002	SS-8660810-TP	竖轴下伞齿轮	Pinion asm	1
18	10425001	B1307-155-0B0	下轴伞齿轮	Pinion asm	1
19	10403014	229-05103	竖轴上轴套	Upright shaft bushing, upper	1
20	10102007	229-05004	竖轴	Upright shaft	1
21	10403013	229-05202	竖轴下轴套	Upright shaft bushing, lower	1
22	10403012	229-16308	下轴后轴套	Bushing, rear	1
23	105S11019	SS-4120915-SP	螺钉 SM3/16" × 28 L=9	Screw SM3/16" × 28 L=9	1
24	10408002	229-17157	下轴挡圈	Thrust collar asm.	1
25	101S11012	SS-6110420-TP	螺钉 SM11/64 × 40 L=4.8	Screw 11/64 × 40 L=4.8	2
26	11304003	229-16001	下轴	Lower shaft	1
27	11303001	229-16100	下轴前轴套	Lower shaft front metal	1
28	10123003	229-16605	下轴限油芯	Oil wick	1
29	101S30005	229-16506	下轴限油螺钉	Oil seal screw	1
30	11218001	111-41355	旋梭	Hook asm	1
31	10118003	229-32909	梭心	Bobbin	1
32	11218504	110-38758	梭壳	Bobbin case asm	1
33	10412008	229-42502	旋梭定位钩	Positioning finger	1
34	101S11011	SS-4110915-TP	螺钉 SM11/64 × 40 L=9.5	Screw SM11/64 × 40 L=9.5	1
35	10122015	-----	下轴油封	Thrust collar	1
36	10123002	-----	针杆上毡塞	Oil felt for needle bar	1

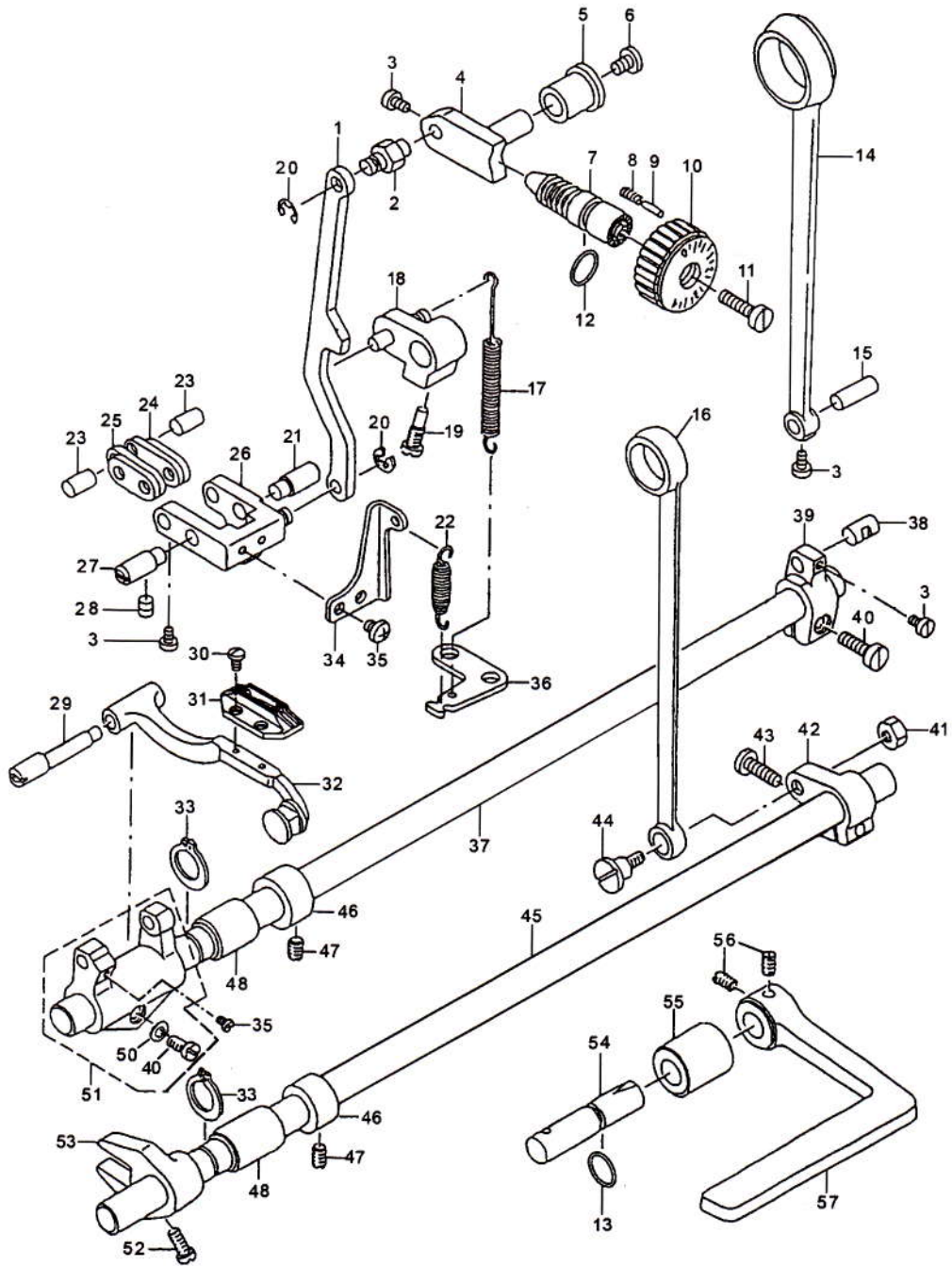
四. 压料分组件 / Presser Bar Components



四. 压料分组件 / Presser Bar Components

序号 Ref.No.	件号 Part No.	参考件号 Ref.Part No.	名称	Description	数量 Amt.
1	101S11010	B1521-555-000	螺钉 SM9/64" × 40 L=11	Screw SM9/64" × 40 L=11	1
2	10128002	-----	垫圈	washer	1
3	10111018	229-07802	压脚扳手	Hand lifter	1
4	O01004	R0-0371801-00	O型圈 4 × 1.8	Rubber ring 4 × 1.8	1
5	1041000200	229-08552	压脚扳手凸轮分部件	Hand lifter cam asm.	1
6	101S20001	110-06509	前杠杆螺纹销	Link shaft	2
7	10128015	-----	垫圈(厚)	washer	2
8	10412003	229-08156	抬压脚前杠杆	Hand lifter link	1
9	10412004	229-08305	抬压脚拉杆	Knee lifting cross rod	1
10	H05009	RE-0500000-K0	挡圈7	E-ring 7	5
11	10412002	229-08008	压脚升降板	Lifting lever	1
12	101S20004	229-08009	螺钉 SM3/16" × 32 L=5	Screw SM3/16" × 32 L=5	1
13	10412006	229-09006	抬压脚顶杆	Knee lifter connecting	1
14	10412005	229-08800	抬压脚后杠杆	Lifting lever link	1
15	101S20003	SD-0720331-SP	轴位螺钉 D=7.24 H=3.3	Hinge screw D=7.24 H=3.3	1
16	S04006	-----	螺钉M4 × 5	Screw M4	1
17	11212008	229-44508	松线导管压板	Wire holder A	2
18	101S11004	SS-4120615-SP	螺钉 SM3/16" × 28 L=6	Screw SM3/16" × 28 L=6	2
19	11212009	229-44607	松线导管上支架	Wire holder brocket. upper	1
20	1131200200	229-44854	松线顶板部件	Thread release shaft	1
21	101S20002	110-18108	松线顶板螺纹销	Tension release shaft	1
22	10127008	229-20201	松线顶板复位簧	Tension release return spring	1
23	10126003	229-20300	松线辅钉	Tension release supporting	1
24	10127003	229-20409	松线辅钉弹簧	Thread release pin spring	1
25	10112022	-----	旋梭供油管压板	Tube holder(lower)	1
26	101S11007	-----	螺钉SM11/64" × 40 L=6	Screw SM11/64" × 40 L=6	1
27	11312001	-----	松线导管下支架(圆刀)	Wire holder brocket. Lower(circle knife)	1
	11212007	-----	松线导管下支架(平刀)	Wire holder brocket. lower(flat knife)	1
28	116S30003	-----	螺钉 SM15/64" × 28 L=4.5	Screw SM15/64" × 28 L=4.5	1
29	10128016	-----	垫圈(薄)	Washer	1
30	113S11004	-----	螺钉 M4 L=8	Screw M4 L=8	1
31	112S16003	NS-6620310-SP	螺母 SM3/16 × 32	Nut SM3/16" × 32	2
32	101S30020	229-07505	调压螺钉	Presser adjusting screw	1
33	101S16008	229-07406	调压螺母	Presser adjusting screw nut	1
34	10102003	229-07703	调压导杆	Presser guide bar	1
35	10127005	229-07406	调压簧	Presser guide bar	1
36	10409001	229-07208	压杆导架	Presser bar guide bracket	1
37	10102004	229-07000	压杆	Presser bar	1
38	10122034	-----	压杆防油套	Presser bar defend oil bushing	1
39	101S11005	SS-6090910-SP	螺钉 SM9/64" × 40 L=6	Screw SM9/64" × 40 L=6	2
40	101S15007	SS-8660810-TP	螺钉 SM1/4 × 40 L=8	Screw SM1/4 × 40 L=8	1
41	10413003	229-07307	缓线调节钩	Presser bar thread guide	1
42	10103012	229-07109	压杆衬套	Presser bar bushing, lower	1
43	101S11009	SS-7091110-SP	螺钉 SM9/64" × 40 L=10.5	Screw SM9/64" × 40 L=10.5	1
44	1011600100	B1524-012-OBA	压脚	Presser foot asm.	1
45	11227008	-----	护指器	Safeguard	1
46	H05003	-----	挡圈5	E-ring 5	1
47	10128001	-----	松线辅钉垫片	Washer	1
48	W02004	-----	垫圈6	Washer 6	1

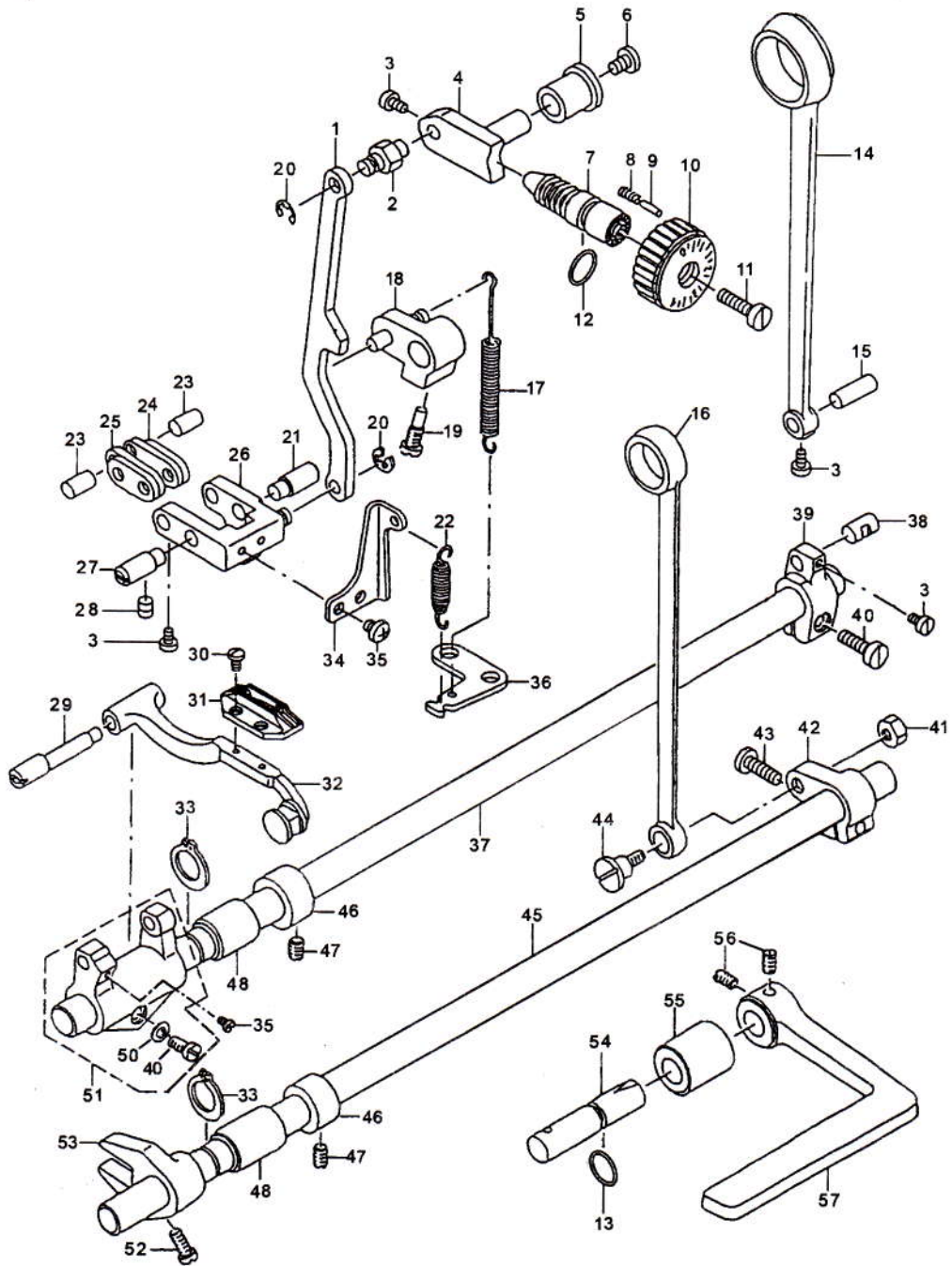
五. 送料分组件 / Feed Mechanism Components



五. 送料分组件 / Feed Mechanism Components

序号 Ref.No.	件号 Part No.	参考件号 Ref.Part No.	名称	Description	数量 Amt.
1	11205001	229-41108	倒送料连杆	Feed regulator connecting rod	1
2	10126016	229-11507	倒送料连杆销	Feed regulator pin	1
3	101S11005	SS-6090670-TP	螺钉 SM9/64" × 40 L=6	Screw SM9/64" × 40 L=6	6
4	10401004	229-11606	送料调节器	Feed regulator	1
5	10403017	229-11705	送料调节器轴套	Feed regulator bushing	1
6	101S11023	SS-7120770-SH	送料调节器轴端螺钉 SM3/16" × 28 L=7	Screw SM3/16" × 28 L=7	1
7	11326001	229-11804	送料调节螺柱	Feed regulator screw	1
8	10127010	229-12109	送料距锁合簧	Spring	1
9	10126015	229-12000	送料距锁合销	Feed adjust ping	1
10	11211007	229-40506	送料距旋钮	Feed dial	1
11	101S11022	SS-61221860-SP	螺钉SM3/16" × 28 L=18	Screw SM3/16" × 28 L=18	1
12	10122016	R0-0922702-00	送料调节螺钉O形圈	Rubber ring	1
13	10122017	WP-0480856-SP	倒送料轴O形圈	Rubber ring	1
14	10405003	229-10202	送料连杆	Rocker shaft connecting rod	1
15	10126006	229-11101	送料连杆销	Walking foot pin C	1
16	10405005	229-15003	抬牙连杆	Connecting rod	1
17	10127011	229-12406	倒送料拉簧	Feed reverse spring	1
18	10404005	229-12257	倒送料曲柄	Feed reverse arm asm.	1
19	101S17003	229-12505	螺钉SM1/4" × 40 L=20	Screw SM1/4" × 40 L=20	1
20	H05009	RE-0500000-K0	开口挡圈7	E-ring	2
21	10126010	-----	送料摆动板座右销	Adjusting link fulcrum shaft	1
22	10427003	110-37405	摆动板复位簧	Spring	1
23	10126007	229-10905	短摆动板连杆销	Walking foot pin A	2
24	10109005	229-10608	送料短摆动板	Connecting link A	2
25	10109004	229-10707	送料长摆动板	Connecting link B	2
26	11201002	229-10608	送料摆动板座	Feed adjusting link asm	1
27	10126009	-----	送料摆动板座右销	Adjusting link fulcrum shaft	1
28	101S15010	SS-8150710-SP	螺钉SM15/64" × 20 L=10.5	Screw SM15/64" × 20 L=10.5	2
29	11226001	229-40803	牙架销	Feed bar shaft	1
30	104S11018	SS-4080620-TP	螺钉SM1/8" × 44 L=6	Screw SM1/8" × 44 L=6	2
31	11214001	B1613-012-100	送料牙	Feed dog	1
32	11207001	229-40753	牙架部件	Feed bar asm.	1
33	H03001	RC-0150001-KP	挡圈15	Ring 15	2
34	10112019	229-13701	摆动板复位板	Adjusting link spring guide	1
35	101S11025	SS-7110740	螺钉SM11/64" × 40 L=7	Screw SM11/64" × 40 L=7	3

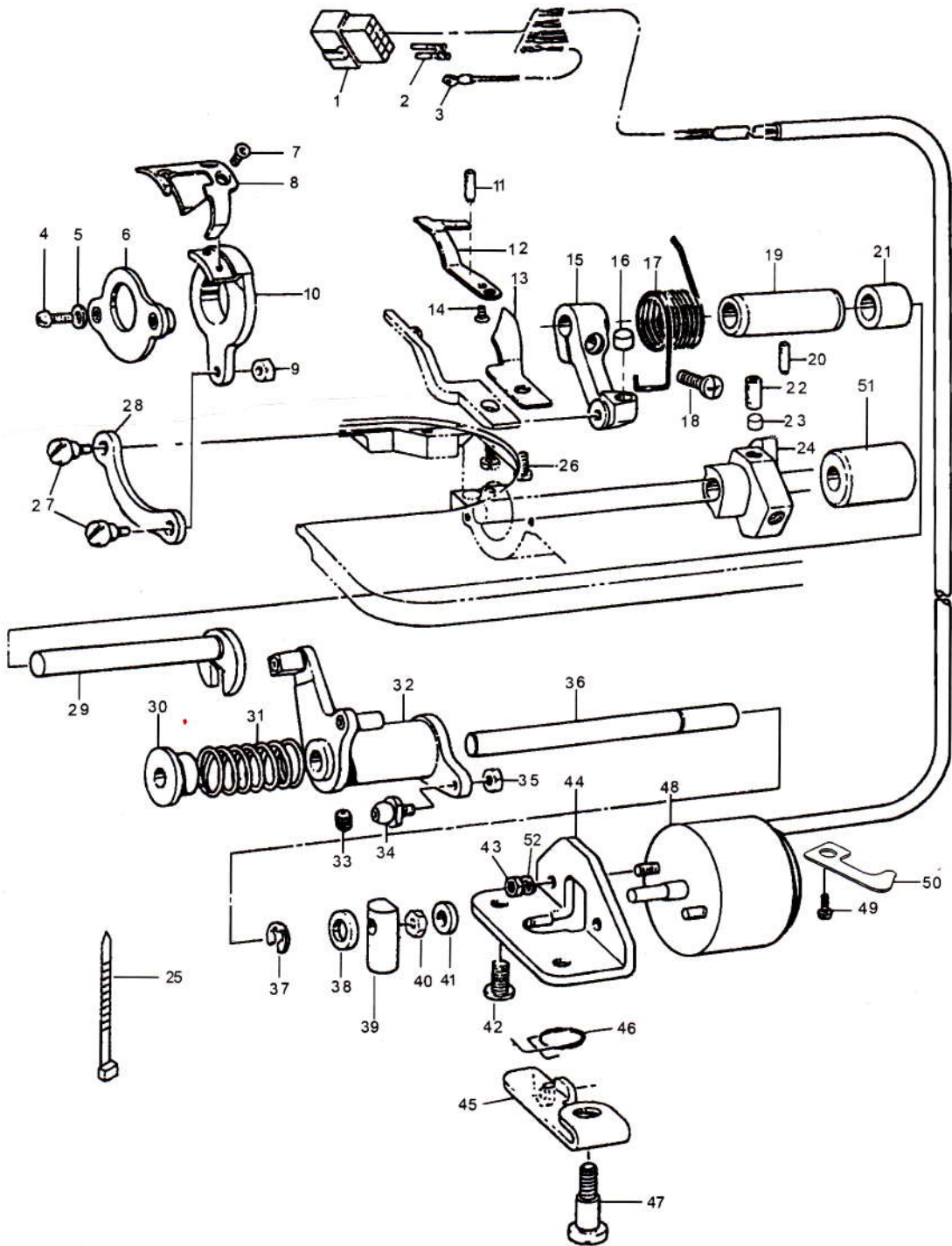
五. 送料分组件(续) / Feed Mechanism Components (Continuation)



五. 送料分组件(续) / Feed Mechanism Components (Continuation)

序号 Ref.No.	件号 Part No.	参考件号 Ref.Part No.	名称	Description	数量 Amt.
36	10112018	229-13701	拉簧固定板	Feed spring hook	1
37	10102008	229-12901	送料轴	Feed rock shaft	1
38	10126011	229-11002	送料曲柄销	Walking foot pin B	1
39	10404003	229-10350	送料后曲柄	feed rocker shaft crank asm.	1
40	101S11016	SS-6121610-SP	螺钉SM3/16" × 28 L=14	Screw SM3/16" × 28 L=14	2
41	101S16003	NS-6680410-SP	拾牙连杆轴位螺母SM9/32" × 28	Nut	1
42	10404004	229-15151	拾牙后曲柄	Feed arm compl.	1
43	101S11021	SS-7121610-SP	螺钉SM3/16" × 28 L=12	Screw SM3/16" × 28 L=12	1
44	101S20005	SD-1000801-SH	螺钉SM9/32" × 28 L=13.5	Screw SM9/32" × 28 L=13.5	1
45	11202001	229-15201	拾牙轴	Feed driving shaft	1
46	10408001	229-04155	拾牙轴挡圈	Thrust collar asm	2
47	101S15002	SS-8660610-TP	螺钉SM1/4" × 40 L=6	Screw SM1/4" × 40 L=6	4
48	10403015	229-13008	轴套	Brushing	2
50	10128003	WP-0480856-SP	牙架座螺钉垫圈	Washer 4.8 × 8.4 × 0.8	1
51	11201001	229-40654	牙架座部件	Feed bar crank asm.	1
52	101S11020	SS-7111120-SP	螺钉SM11/64" × 40 L=10.5	Screw SM11/64" × 40 L=10.5	1
53	10404007	229-15359	拾牙叉形曲柄	Driving shaft crank asm.	1
54	10102010	229-12604	倒送料轴	Feed reverse shaft	1
55	10103021	229-12802	倒送料轴轴套	Feed lever metal	1
56	101S15013	SM-806105-TP	螺钉 SM15/64" × 28 L=10	Screw SM15/64" × 28 L=10	2
57	11201006	229-12703	倒送料扳手	Reverse feed control lever	1

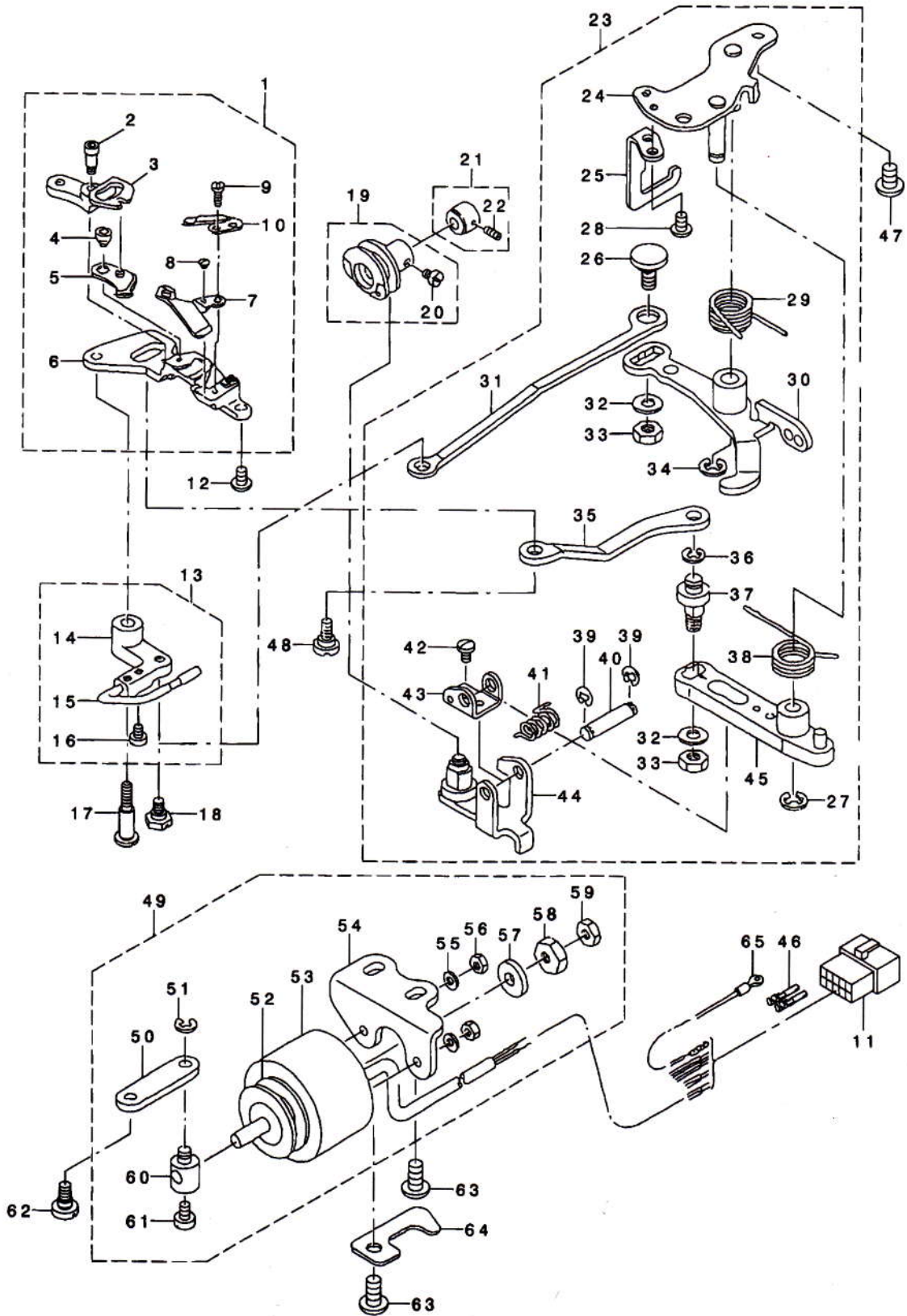
六. 切线装置部件(圆刀) / Thread Trimmer Components



六. 切线装置部件(圆刀) / Thread Trimmer Components

序号 Ref.No.	件号 Part No.	参考件号 Ref.Part No.	名称	Description	数量 Amt.
1	11230004	-----	14孔接线器	Housing 14P	1
	11230015	-----	12孔接线器	Housing 12P	1
2	11230005	-----	电线插针	Pin contact	1
3	11212025	-----	地线接头	Ground wire asm.	1
4	113S11001	-----	螺钉 SM11/64" × 40 L=12	Screw SM11/64" × 40 L=12	2
5	10128003	-----	牙架座螺钉垫圈	Washer	2
6	11312004	-----	刀架压板组件	Partiality shank asm.	1
7	113S17002	-----	活动刀固定螺钉	Screw	2
8	11319002	-----	活动刀	Motorial knife	1
9	113S16001	-----	螺母 SM11/64" × 40	Nut SM11/64" × 40	1
10	11307001	-----	剪线刀架	Knife bracket	1
11	113S15002	-----	定刀调节螺钉	Screw	1
12	11319001	-----	割线刀	Secant knife	1
13	11312003	-----	护针片	Protect needle patch	1
14	113S17001	-----	螺钉 SM9/64" × 40 L=4	Screw SM9/64" × 40 L=4	1
15	11304001	-----	曲柄	Thread shear rock arm	1
16	11322001	-----	驱动曲柄止动块	Positioning block	1
17	11327001	-----	弹簧	Spring	1
18	113S11002	-----	螺钉 SM3/16" × 32 L=14	Screw SM3/16" × 32 L=14	2
19	11303003	-----	切线轴套	Thread shear cam rock arm assy	1
20	113S14001	-----	螺钉 SM11/64" × 40	Screw SM11/64" × 40	1
21	11303002	-----	驱动曲柄轴衬套	Short bush	1
22	116S14005	-----	螺钉 SM1/4" × 40 L=10	screw SM1/4" × 40 L=10	1
23	11309030	-----	凸轮顶柱	pole	2
24	11310001	-----	凸轮	Thread shear cam	1
25	11211005	-----	尼龙扎带	Bale band	1
26	113S11003	-----	螺钉 SM9/64" × 40 L=5	Screw SM9/64" × 40 L=5	1
27	113S20001	-----	连杆螺钉 SM11/64" × 40 L=5.5	Screw SM11/64" × 40 L=5.5	2
28	11312005	-----	连杆	Knife shaft connecting rod	1
29	11304002	-----	切线凸轮曲柄轴	Thread shear rock arm shaft	1
30	11322002	-----	扭簧端盖	Spring cover	1
31	11327002	-----	弹簧	Spring	1
32	1130400500	-----	剪线驱动组件	Thread shear rock arm shaft	1
33	116S14003	-----	螺钉 SM11/64" × 40	Screw SM11/64" × 40	1
34	11324001	-----	滚柱	Rool shaft sssy	1
35	113S16001	-----	螺母	Nut	1
36	11302002	-----	轴	Thread shear shaft	1
37	H03006	-----	挡圈	Retaining ring	1
38	11322003	-----	电磁铁缓冲垫	Magnetic plug cushion mat	1
39	11309001	-----	切线电磁铁顶销	Magnetic plug pin	1
40	112S16006	-----	螺母 SM1/4" × 40	Nut SM1/4" × 40	1
41	O01004	-----	垫圈	Wisher	1
42	101S11026	-----	油泵安装螺钉	Screw	1
43	N01001	-----	螺母 M4	Nut M4	2
44	11312006	-----	切线磁铁支架	Magnetic plug cushion mat	1
45	11312007	-----	松线座	Thread loose seat	1
46	11327003	-----	弹簧	Sping	1
47	113S20002	-----	螺钉 SM1/4" × 28 L=13	Screw SM1/4" × 28 L=13	1
48	1123000600	-----	剪线电磁铁组件	Magnetic plug	1
49	116S3003	-----	螺钉 SM15/64" × 28 L=14.5	Screw SM15/64" × 28 L=14.5	1
50	10112022	-----	旋梭供油管压板	Electrical plug breacket washer	1
51	11303004	-----	下轴中套	Bushing ,lower shaft	1
52	W01013	-----	垫圈4.5 × 8 × 0.5	Wisher 4.5 × 8 × 0.5	2

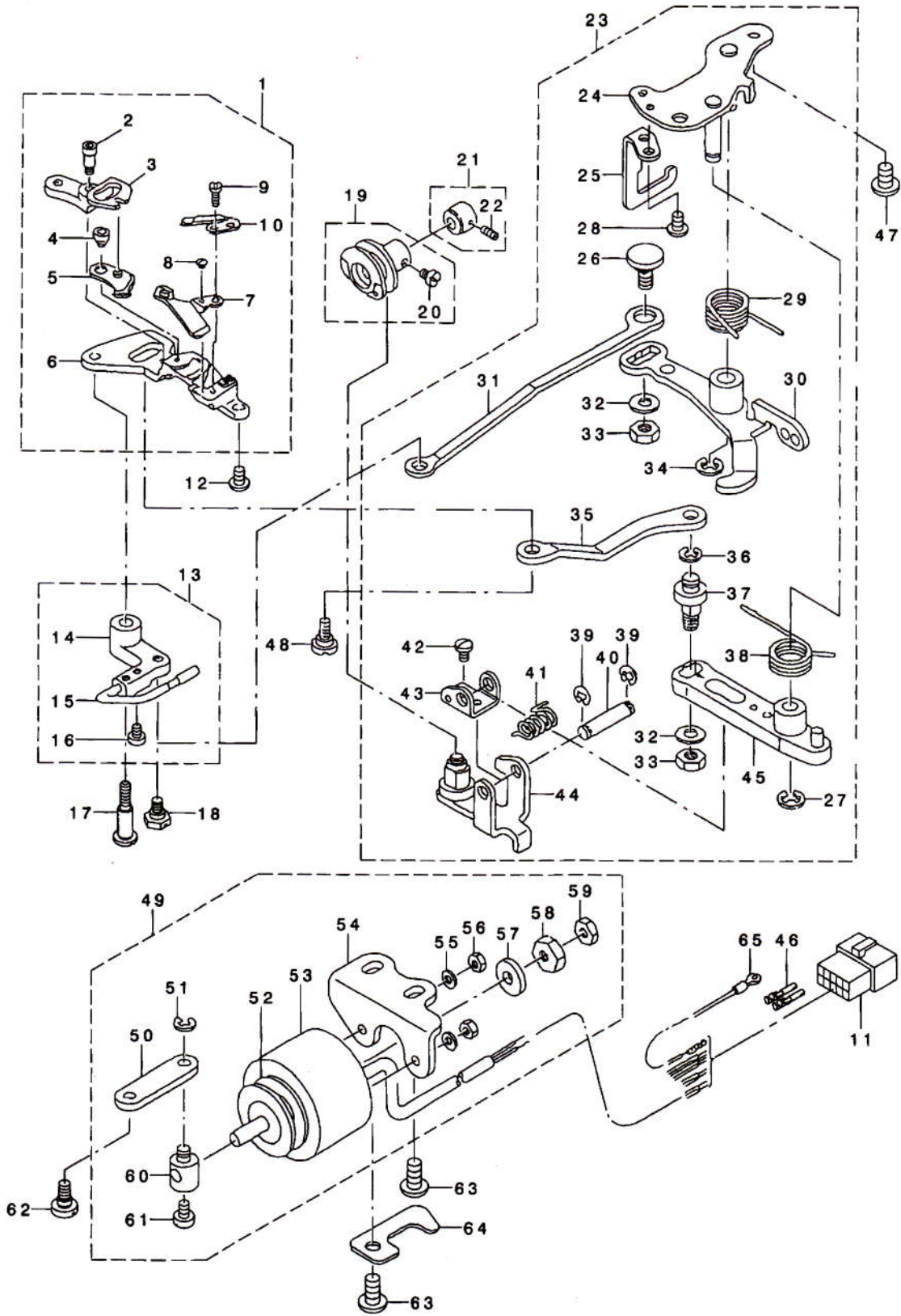
六. 切线装置部件(平刀) / Thread Trimmer Components



六. 切线装置部件(平刀) / Thread Trimmer Components

序号 Ref.No.	件号 Part No.	参考件号 Ref.Part No.	名称	Description	数量 Amt.
1	1121900100	110-40359	切线刀组件	Knife unit	1
2	112S20001	SD-0460703-TP	螺钉销	Hinge screw D=4.6 H=7	(1)
3	11204001	110-40508	活动刀曲柄	Forked base for knife	(1)
4	112S13001	110-40409	动刀螺钉	Moving knife hinge screw	(1)
5	11219002	110-40052	活动刀	Moving knife asm.	(1)
6	11201004	110-40300	刀架	Knife mounting base	(1)
7	11212012	110-40201	导线片	Thread guide for knife	(1)
8	112S11005	SS-2060210-SP	螺钉 SM3/32 × 56 L=2.3	Screw SM3/32 × 56 L=2.3	(1)
9	112S11006	SS-4080620-TP	螺钉 SM 1/8 × 44 L=6	Screw SM 1/8 × 44 L=6	(2)
10	11219003	D2406-555-D0H	固定刀	Counter knife	(1)
11	11230004	HK-0346101-40	14孔接线器	Housing 14p	1
	11230015	-----	12孔接线器	Housing 12p	1
12	101S11011	SS-4110715-SP	螺钉 SM11/64 × 40 L=7	Screw SM11/64 × 40 L=7	1
13	1120100500	229-50257	剪线下线挡线组件	Picker arm asm.	1
14	11201005	229-50208	挡线器座	Picker arm	(1)
15	11212013	229-50356	挡线	Thread take-up picker asm.	(1)
16	112S11007	SS-6090510-SP	螺钉 SM 9/64 × 40 L=5	Screw SM 9/64 × 40 L=5	(2)
17	112S20002	SD-0641451-SP	轴位螺钉	Hinge screw D= 6.35 H=14.5	1
18	112S20003	SD-0630275-SP	轴位螺钉	Hinge screw D= 6.35 H= 2.7	1
19	11210001	110-42850	剪线凸轮	Thread trimmer cam asm.	1
20	112S30002	SS-6660610-TP	螺钉SM 1/4 × 40 L=6	Screw SM 1/4 × 40 L=6	(2)
21	11208001	229-50950	挡圈	Cam collar asm.	1
22	112S15001	SS-8110520-TP	螺钉SM11/64 × 40L= 4.5	Screw SM 11/64 × 40 L= 4.5	(1)
23	11212014-00	229-49762	切线主动组件	Thread trimmer driving unit	1
24	11212015	229-49754	剪线驱动座	Base plate asm.	(1)
25	11212016	229-50703	挡板	Driving arm stoppe	(1)
26	112S30003	229-50000	挡线器连杆连接螺钉	Picker link pin	(1)
27	H05009	RE-0600000-K0	开口挡圈	E-ring 6	(1)
28	112S11008	SS-4110715-SP	螺钉SM11/64 × 40 L=7	Screw SM11/64 × 40 L=7	(2)
29	11227002	229-49408	剪线离合复位弹簧	Clutch spring	(1)
30	11212017	110-41852	剪线离合架	Clutch plate asm.	(1)
31	11212018	229-50109	挡线连杆	Picker link	(1)
32	W01003	WP-0621016-SH	挡圈	Washer	(2)

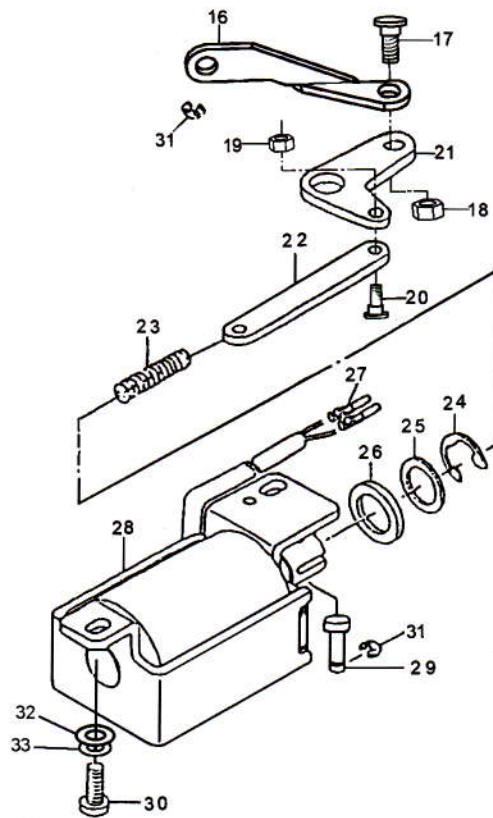
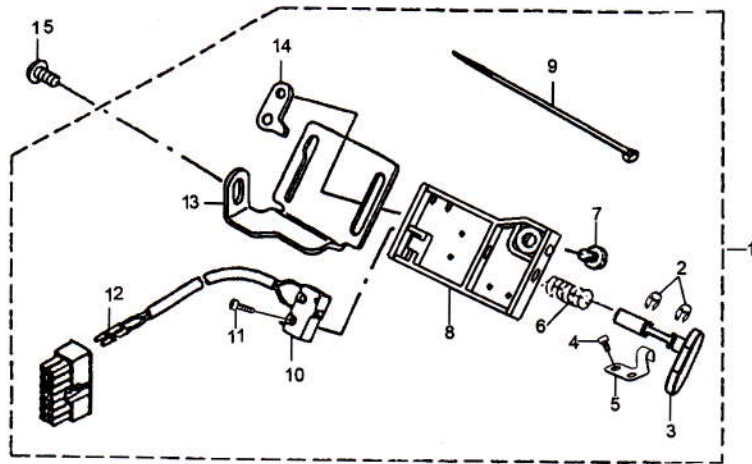
六. 切线装置部件(平刀·续) / Thread Trimmer Components



六. 切线装置部件(平刀·续) / Thread Trimmer Components

序号 Ref.No.	件号 Part No.	参考件号 Ref.Part No.	名称	Description	数量 Amt.
33	112S16004	NS-6150430-SP	螺母SM15/64 × 28	Nut SM15/64 × 28	(2)
34	H05009	RE-0600000-K0	开口挡圈	E-ring 6	(1)
35	11212019	229-48301	切线连杆	Moving knife link	(1)
36	H05013	RE-0500000-K0	开口挡圈	E-ring	(1)
37	112S30004	229-48400	切线连杆连接螺钉	Moving knife link pin	(1)
38	11227003	229-49309	切线复位弹簧	Knife return spring B	(1)
39	H05013	RE-0400000-K0	开口挡圈	E-ring 4	(2)
40	11226002	229-49101	跳板销	Roller fulcrum shaft	(1)
41	11227004	229-49200	跳板簧	Roller fulcrum spring	(1)
42	112S11009	SS-7090610-SP	螺钉SM9/64 × 40 L=6	Screw SM9/64 × 40 L=6	(1)
43	11212020	229-49002	托板支撑架	Roller arm bracket	(1)
44	11212021	110-40953	离合跳板	Roller arm asm.	(1)
45	11204002	110-40854	剪线驱动曲柄	Knife driving arm asm.	(1)
46	11230005	HK-0346400-0B	电线插针	Pin contact	2
47	101S11026	SS-4150915-SP	螺钉SM15/64 × 28 L=9	Screw SM15/64 × 28 L=9	2
48	112S20004	SD-0640631-TP	动刀连接螺钉	Hinge screw D=6.35 H=6.3	1
49	1123000600	229-51164	剪线电磁铁组件	Solenoid unit	1
50	11212022	229-49903	剪线器连板	Clutch link	(1)
51	H05013	RE-0500000-K0	开口挡圈	E-ring	(1)
52	11222004	110-43205	电磁铁橡皮	Solenoid rubber A	(1)
53	11230006	110-43908	电磁铁	Thread trimmer solenoid	(1)
54	11212023	229-51404	支架	Solenoid base	(1)
55	W01013	WP-0450000-SD	垫圈 SM4.5X8X0.5	Washer SM4.5x8x0.5	(2)
56	N01001	NM-6040000-SN	螺母M4	Nut M4	(2)
57	11222005	110-43304	橡皮垫	Solenoid rubber	(1)
58	112S16005	NS-6660410-SH	螺母	Nut	(1)
59	112S16006	NS-6660430-SP	螺母 SM1/4 × 40	Nut SM1/4 × 40	(1)
60	11226003	229-51008	剪线器连板接头	Solenoid pin	(1)
61	112S11010	SS-6110710-TP	螺钉SM11/64 × 40L= 6.5	Screw SM11/64 × 40 L= 6.5	(1)
62	112S20005	SD-0600361-SP	连板螺钉	Hinge screw D=6 H=3.6	1
63	101S12003	SS-4151215-SP	螺钉SM15/64 × 28 L=12	Screw SM15/64 × 28 L=12	2
64	10112022	229-24807	电线压板	Tube holder, lower	1
65	11212025	229-51552	底线接头	Ground wire asm.	1

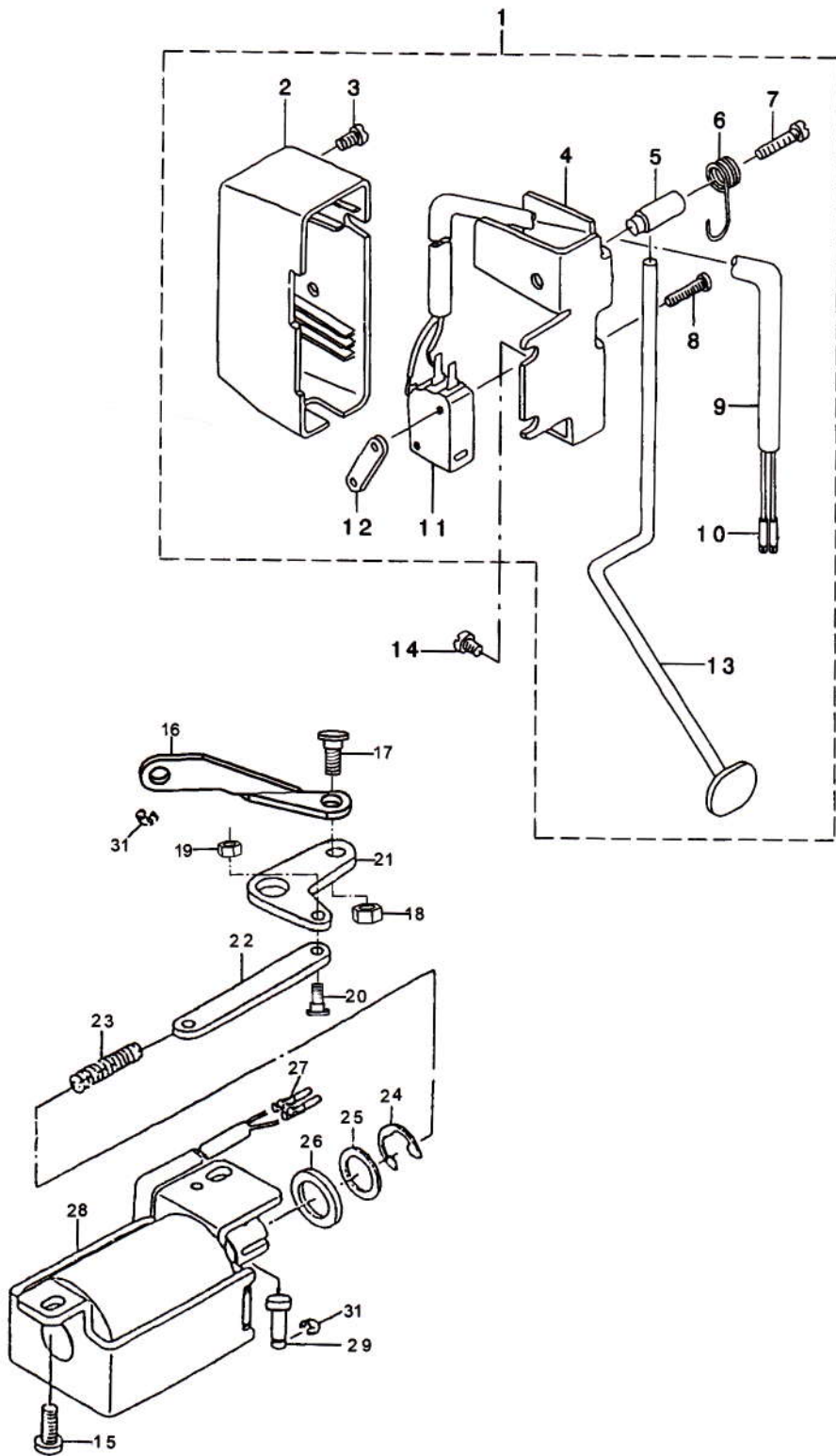
七. 自动倒送料、开关组件(盒式) / Automatic Reverse Feed Components



七. 自动倒送料、开关组件(盒式) / Automatic Reverse Feed Components

序号 Ref.No.	件号 Part No.	参考件号 Ref.Part No.	名称	Description	数量 Amt.
1	1133000100	-----	自动倒送料开关组件	Reverse feed switch asm.	1
2	H05007	-----	开口挡圈3	E-ring3	2
3	11311002	-----	开关按钮	Button	1
4	S04021	-----	螺钉M2×4	Screw M2×4	2
5	11327006	-----	弹簧片	Spring	1
6	11327010	-----	弹簧	Spring	1
7	101S11025	-----	螺钉SM11/64"×40 L=7	Screw SM11/64"×40 L=7	1
8	11311001	-----	开关罩壳	Reverse feed switch cover	1
9	11211005	-----	尼龙扎带	Cable band	1
10	11430013	-----	开关	Microswitch	1
11	S04022	-----	螺钉 M2×10	Screw M2×10	2
12	1123005	-----	电线插针	Pin Contact	1
13	11412036	-----	固定支架	Reverse feed switch base	1
14	11412037	-----	紧固板	Reverse feed switch base guide	1
15	101S11004	-----	螺钉SM3/16"×28 L=6	Screw SM3/16"×28 L=6	1
16	11212029	-----	自动倒送料拉杆	Reverse feed connecting shaft	1
17	112S20001	-----	曲柄长螺钉	Screw	1
18	112S16007	-----	曲柄长螺母	Nut	1
19	112S16008	-----	曲柄短螺母	Nut	1
20	112S20002	-----	曲柄短螺钉	Screw	1
21	11204003	-----	自动倒送料曲柄	Connecting arm asm.	1
22	11312009	229-53905	自动倒送料连杆	Reverse feed connecting link	1
23	11227006	229-54002	自动倒送料连杆顶簧	Plunger spring	1
24	H05014	RE-1200000-K0	开口挡圈	E-ring	1
25	W01014	WP-1602616-SZ	垫圈16	Washer	1
26	11222006	D2468-555-B00	橡皮垫圈	Rubber plunger	1
27	1143001	HK-0346400-0B	插针	Pin contact	2
28	1123000900	111-02753	自动倒送料电磁铁组件	Reverse feed magnet asm	1
29	11226005	-----	连杆销	Plunger arm pin	1
30	116S30003	SS-4151215-SP	螺钉	Screw	2
31	H05009	-----	开口挡圈	E-ring	2
32	11628005	-----	垫片	Washer	1
33	W02004	-----	垫圈	Washer	1

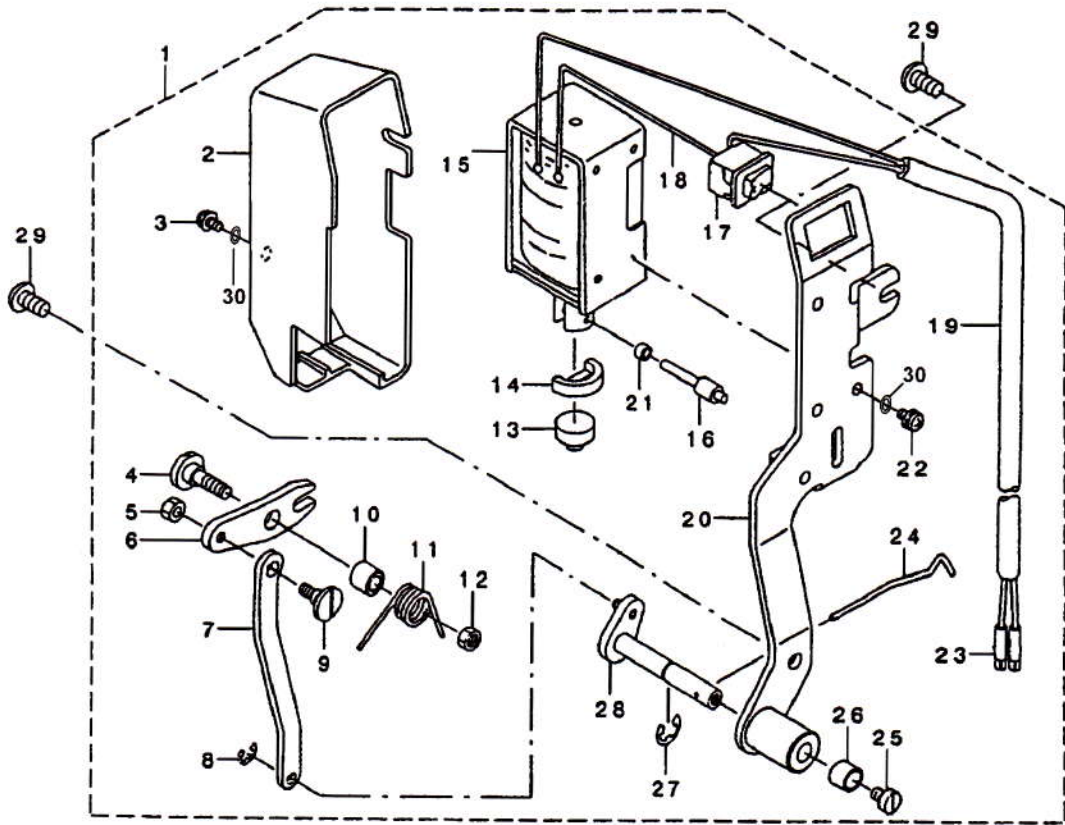
七. 自动倒送料驱动、开关组件(杆式) / Automatic reverse feed components



七. 自动倒送料驱动、开关组件(杆式) / Automatic reverse feed components

序号 Ref.No.	件号 Part No.	参考件号 Ref.Part No.	名称	Description	数量 Amt.
1	1123000700	229-54150	开关组件	Reverse feed switch asm.	1
2	11211002	229-54606	开关罩壳	Reverse feed switch cover	(1)
3	101S11008	SM-4040655-SP	螺钉M4 L=6	Screw m4 l=6	(1)
4	11212026	229-54101	开关支承架	Reverse feed switch base	(1)
5	11226004	229-54200	开关主动杆销	Reverse feed switch shaft	(1)
6	11227005	229-54309	开关主动杆复位弹簧	Reverse feed switch spring	(1)
7	112S11011	SM-4041655-SP	螺钉 M4 L=16	Screw m4 l=16	(1)
8	S04007	SM-4031501-SC	螺钉M3 L=15	Screw m3 l=15	(2)
9	11230008	HW-5000700-00	电线	2-core cabtyre cord	1.3
10	11230005	HK-0346400-0B	电线插针	Pin contact	(2)
11	11230007	HA-0019000-00	开关	Microswitch	(1)
12	11212027	229-54408	开关压板	Switch holding plate	(1)
13	11212028	229-54507	开关主动杆	Reverse feed switch lever	(1)
14	101S11001	SS-4120915-SP	螺钉 SM3/16 × 28 L = 9	Screw SM3/16 × 28 L = 9	2
15	116S30003	SS-4151215-SP	螺钉	Screw	2
16	11212029	-----	自动倒送料拉杆	Reverse feed connecting shaft	1
17	112S20001	-----	曲柄长螺钉	Screw	1
18	112S16007	-----	曲柄长螺母	Nut	1
19	112S16008	-----	曲柄短螺母	Nut	1
20	112S20002	-----	曲柄短螺钉	Screw	1
21	11204003	-----	自动倒送料曲柄	Connecting arm asm.	1
22	11212030	229-53905	自动倒送料连杆	Reverse feed connecting link	1
23	11227006	229-54002	自动倒送料连杆顶簧	Plunger spring	1
24	H05014	RE-1200000-K0	开口挡圈	E-ring	1
25	W01014	WP-1602616-SZ	垫圈16	Washer	1
26	11222006	D2468-555-B00	橡皮垫圈	Rubber plunger	1
27	1143001	HK-0346400-0B	插针	Pin contact	2
28	1123000900	111-02753	自动倒送料电磁铁组件	Reverse feed magnet asm	1
29	11226005	-----	连杆销	Plunger arm pin	1
30	H05003	-----	挡圈	E-ring	2
31	11628005	-----	垫片	Washer	1
32	W02004	-----	垫圈	Washer	1

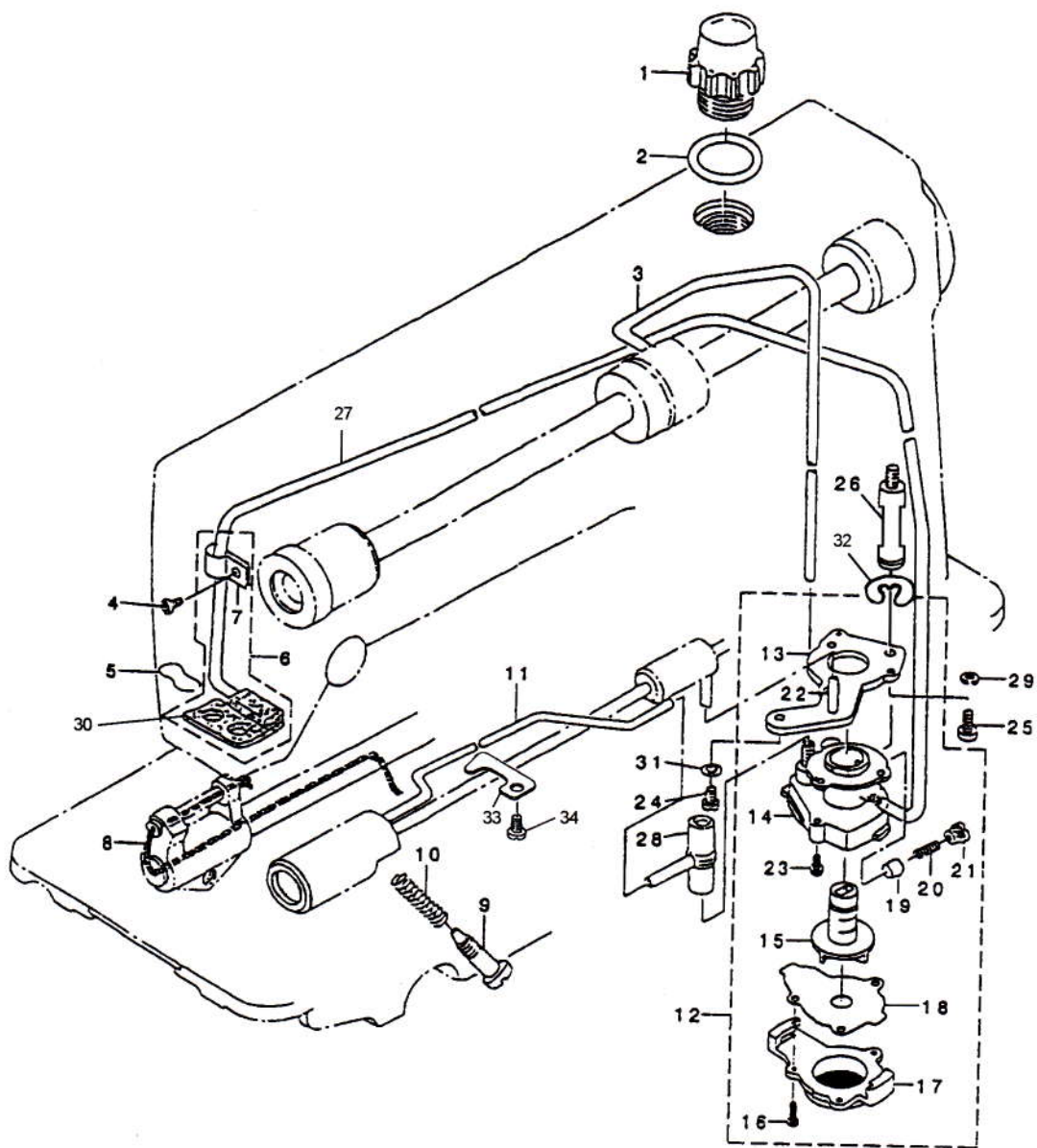
八. 自动拨线组件 / Wiper Components



八. 自动拨线组件 / Wiper Components

序号 Ref.No.	件号 Part No.	参考件号 Ref.Part No.	名称	Description	数量 Amt.
1	11213003-00	229-55553	自动拨线组件	Wiper asm	1
2	11211003	229-55504	罩壳	Wiper cover	1
3	S04008	SL-4030621-SS	螺钉M3	Screw M3	1
4	112S20006	SD-0650321-TP	轴位螺钉	Hinge screw D=6.5 H=3.2	1
5	112S16009	NS-6090310-SP	螺母SM9/64" × 40	Nut SM9/64" × 40	1
6	11212031	229-56106	拨线传动板	Wiper link A	1
7	11212032	229-56403	拨线连杆	Wiper link B	1
8	H05015	RE-0250000-K0	开口挡圈	E-ring	1
9	112S20007	229-56908	轴位螺钉	Hinger screw	1
10	11208002	229-56205	复位衬套	Wiper hinge screw collar	1
11	11227007	229-56304	复位弹簧	Wiper spring	1
12	112S16010	NS-6110310-SP	螺母SM11/64" × 40	Nut SM11/64" × 40	1
13	11222007	229-55900	橡皮垫块	Wiper rubberA	1
14	11222008	229-56007	橡皮垫	Wiper rubber B	1
15	11230010	111-10301	拨线电磁铁	Wiper solenoid	1
16	11226006	229-57104	拨线传动销	Wiper solenoid shaft	1
17	11230011	HA-0005900-00	开关	Power switch	1
18	11230012	HW-2003900-00	电线	Electric wire	1
19	11230008	HW-5000700-00	电线	2-core cabtyre cord	1
20	11212033	111-10152	拨线电磁铁支架	Wiper base asm.	1
21	11208003	229-57203	滑动衬套	Wiper link collar	1
22	S04008	SL-4030641-SE	螺钉	Screw	3
23	11230005	HK-0346400-0B	电线插针	Pin contact	2
24	11213004	229-57005	拨线钩	Wiper	1
25	112S11012	SS-6090540-SP	螺钉SM9/64" × 40 L=5	Screw SM9/64" × 40 L=5	1
26	11208004	229-56809	拨线钩挡圈	Wiper collar	1
27	H05016	RE-0500000-K0	开口挡圈	E-ring	1
28	11202002	111-11051	拨线驱动轴	Wiper driving shaft asm.	1
29	101S11001	SS-4120915-SP	螺钉SM3/16" × 28 L=9	Screw SM3/16" × 28 L=9	4
30	10128005	-----	垫片	Washer	4

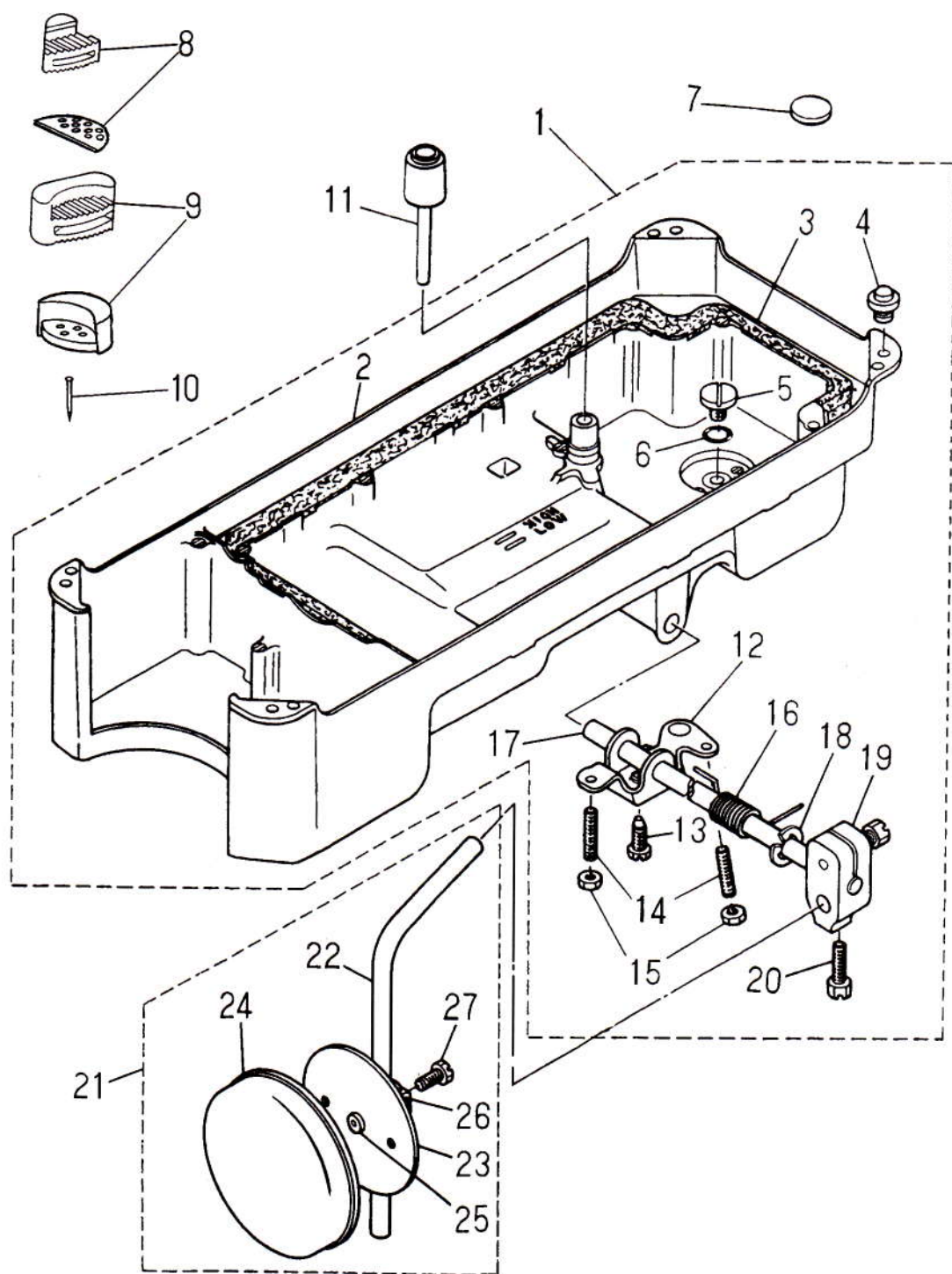
九. 润滑分组件 / Oil Lubrication Components



九. 润滑分组件 / Oil Lubrication Components

序号 Ref.No.	件号 Part No.	参考件号 Ref.Part No.	名称	Description	数量 Amt.
1	11211004	229-47006	油窗	Oil sight window	1
2	10122019	RO-1952401-00	油窗O形圈	Rubber ring	1
3	10121005	229-24401	上轴供油管	Main shaft oil tube	1
4	101S11004	SS-4120615-SP	螺钉	Screw	1
5	10127015	229-25101	回油毡夹	Oil felt presser	1
6	11221001	229-24153	回油管部件	Oil returns tube asm.	1
7	10112023	229-24302	回油管夹	Holder	1
8	10423001	CQ-2520000-00	油线	Oil wick	1
9	113S30001	229-25002	油量调节螺钉	Screw	1
10	11327004	229-24906	油量调节螺钉弹簧	Spring	1
11	11321001	229-24500	供油管	Main shaft oil tube	1
12	1012000100	229-23056	油泵分部件	Lubricating oil pump asm.	1
13	10112020	229-23304	油泵安装板	Oil pump installing base	1
14	10120001	229-23007	油泵体	Oil pump	1
15	10100003	229-23700	油泵叶轮	Oil pump impeller	1
16	101S30006	SE-4301041-SR	螺钉	Screw	3
17	10111007	229-23205	油泵盖	Lubricating oil pump cover	1
18	10112021	229-23809	油泵叶轮托板	Oil pump impeller cover	1
19	10122018	229-23403	回油柱塞	Plunger	1
20	10127013	229-23601	柱塞簧	Plunger spring	1
21	101S30007	229-23502	螺钉SM9/32" × 32 L=7	Screw SM9/32" × 32 L=7	1
22	10121001	229-23908	下轴供油管	Hook driving shaft oil tube	1
23	101S11031	SL-4030851-SF	螺钉	Screw	3
24	116S30003	SS-4150915-SP	抬牙叉固定螺钉	Screw	1
25	209S12001	SS-6111010-TP	压脚螺钉	Screw	1
26	112S30005	229-47105	油泵连接螺柱	Oil pump support	1
27	10121007	-----	回油管	Oil returns tube asm.	1
28	10136001	229-24609	供油管接头	Rubber joint	1
29	W02004	WS-0651310-KP	垫圈6	Washer 6	2
30	10423002	-----	回油毡	Oil felt	1
31	W02004	-----	垫片	Washer	1
32	H04001	-----	挡圈12	E-ring 12	1
33	10112022	-----	旋梭供油管压板	Tube holder	1
34	101S11007	-----	螺钉	Screw	1

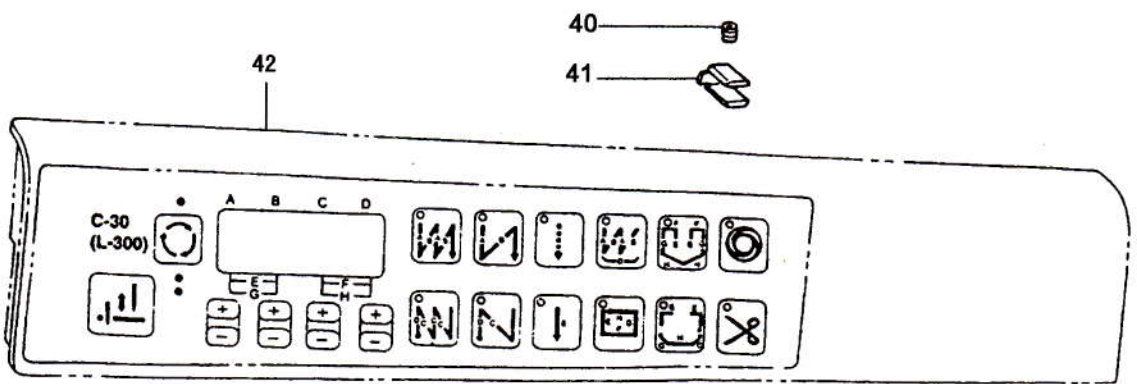
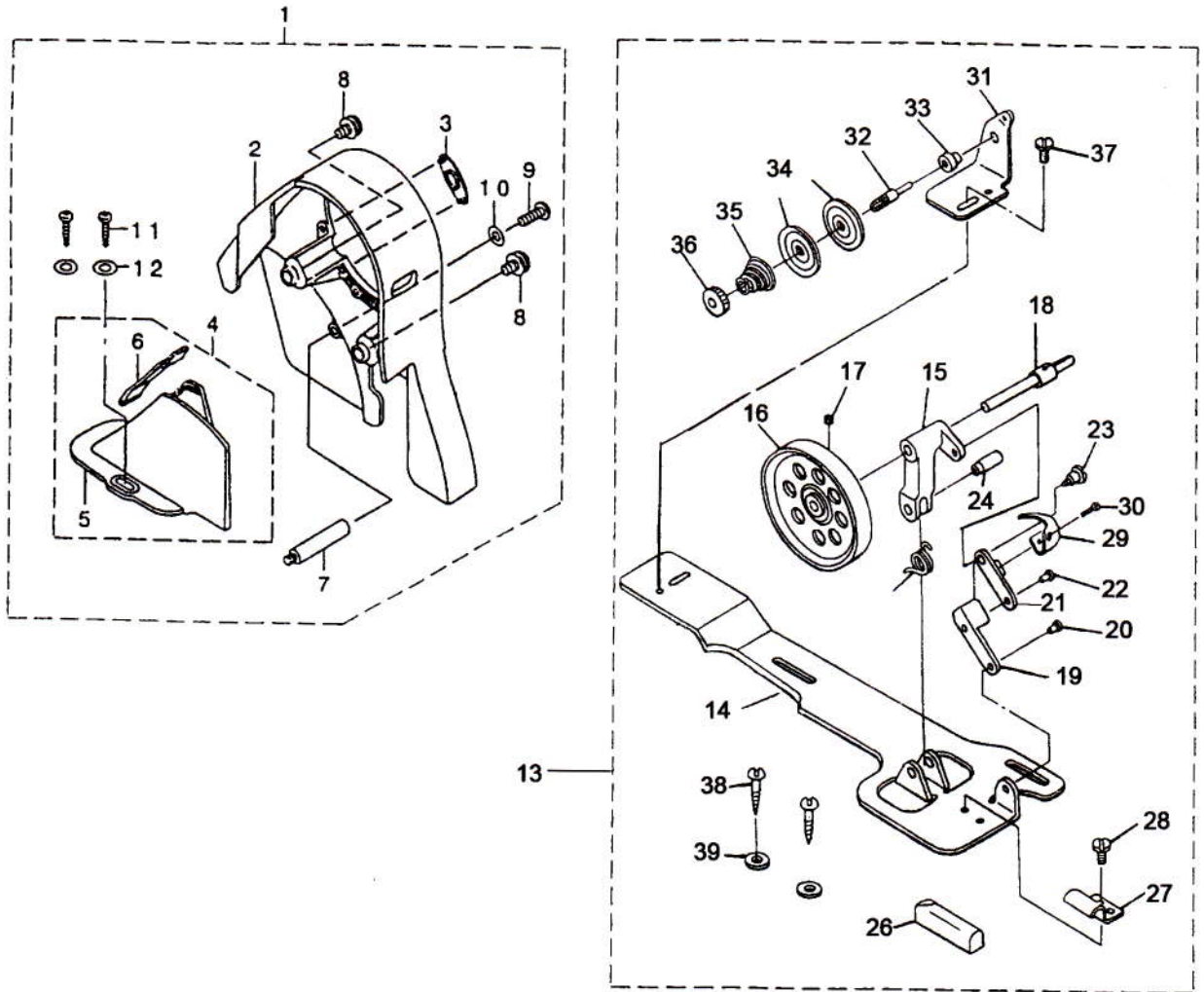
十. 油盘、膝抬压脚部分组件 / Oil Reservoir, knee Lifter Components



十. 油盘、膝抬压脚部分组件 / Oil Reservoir、knee Lifter Components

序号 Ref.No.	件号 Part No.	参考件号 Ref.Part No.	名称	Description	数量 Amt.
1	1010100600	229-31851	油盘部件	Oil reservoir asm.	1
2	10101006	229-31802	油盘	Oil reservoir	1
3	10122020	229-31901	油盘垫	Gasket	2
	10122050	-----	油盘垫(二)	Gasket	1
4	10122031	229-32008	机头座垫 (外销)	Rubber cushion	4
5	101S11028	SS-6700710-SH	螺钉M8 × 1 L=7	Screw	1
6	10122021	SS-6700710-SH	O形圈	Rubber ring	2
7	10131001	RO-1082401-00	油盘磁铁	Oil reservoir magnet	1
8	10122022	-----	油盘座垫 (内销)	Oil reservoir felt cushion	2
	10122032	-----	油盘座垫 (外销)	Oil reservoir felt cushion	2
9	10122023	-----	油盘支架 (内销)	Oil reservoir rubber cushion	2
	10122033	-----	油盘支架 (外销)	Oil reservoir rubber cushion	2
10	101S30010	-----	油盘座钉(外销)	Nail	4
11	10111005	229-31703	抬压脚顶杆	Knee press lifter rod	1
12	10112027	229-32107	抬压脚双向曲柄	Connecting rod, vertical	1
13	101S12002	SM-9061853-SR	螺钉	Screw	1
14	101S15012	SM-8063012-TR	螺钉M6 L=16	ScrewM6 L=16	2
15	101S16004	NM-6060001-SE	双向曲柄限位调节螺母	Net	2
16	10127016	229-32206	双向曲柄扭簧	Spring	1
17	10102011	229-32305	抬压脚轴	Knee press rod	1
18	H05010	RE-1000000-K0	抬压脚轴开口挡圈	Snap ring	1
19	10101008	229-32404	抬压脚操纵杆节头	Bearing bracket	1
20	101S12003	229-34707	螺钉M8 L=12	Screw	1
21	1011202800	229-34251	操纵杆部件	Knee press plate asm.	1
22	10112028	229-34608	操纵杆	Knee lifter plate rod	1
23	10112029	229-34202	操纵板	Knee press plate	1
24	10122024	229-34509	操纵板软垫	Knee press plate cover	1
25	10122025	229-34400	操纵杆垫	Rubber	1
26	10112030	229-34301	操纵杆节头	Knee press plate holder	1
27	101S12004	SM-9061203-SE	螺钉	Screw	1

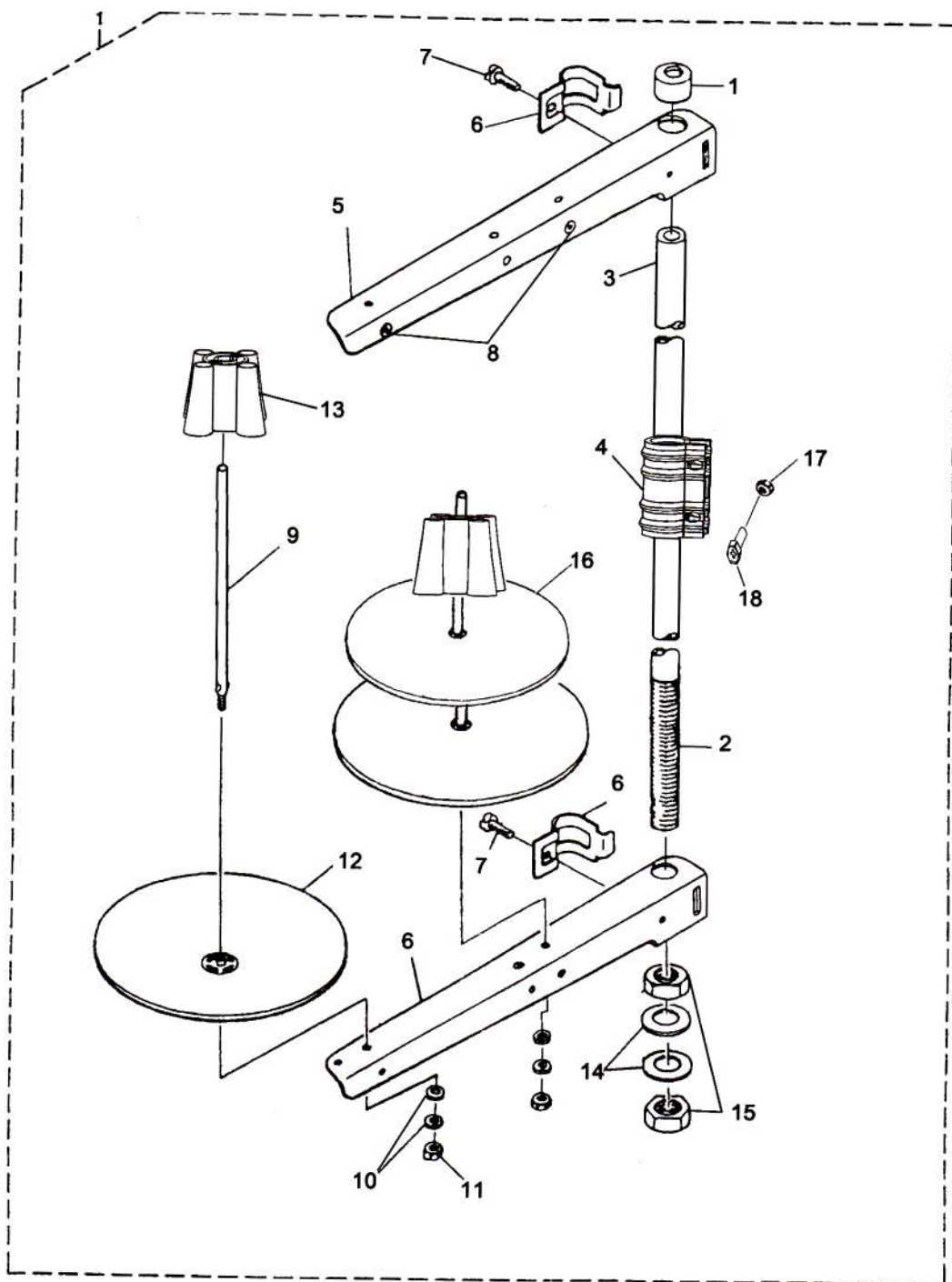
十一. 皮带罩、绕线器、选针盒部件 / Belt Cover & bobbin Components



十一. 皮带罩、绕线器、选针盒部件 / Belt Cover & bobbin Components

序号 Ref.No.	件号 Part No.	参考件号 Ref.Part No.	名称	Description	数量 Amt.
1	10100011	229-33451	皮带罩壳	Belt cover, asm	1
2	10111006	229-33402	上轮前罩壳	Belt cover, A	1
3	10111008	229-33501	前罩壳安装架	Belt cover, A cap	1
4	1011100900	229-33659	上轮后罩壳部件	Belt cover, B asm.	1
5	10111009	229-33600	上轮后罩壳	Belt cover, B	1
6	1011101000	229-33758	后罩壳盖部件	Belt cover, B covers asm.	1
7	101S30012	229-33907	后罩壳支柱	Belt cover support	1
8	101S11029	229-34004	前罩壳紧固螺钉	Belt cover, A screw	2
9	101S11030	SS-4121415-SP	螺钉	Screw	1
10	10128007	WP-0501016-SD	垫圈	Washer	1
11	101S30011	SK-3412000-SC	木螺钉	Wood screw	2
12	10128006	WP-0450826-SC	垫圈	Washer	2
13	1013100600	229-27354	绕线器部件	Bobbin winder compl.	1
14	10112032	229-27305	绕线座	Bobbin winder base asm.	1
15	10101009	-----	绕线架	Thread winder base asm.	1
16	10101010	229-27404	绕线轮	Thread winder asm.	1
17	S04006	SS-8110510-SP	螺钉	Screw	1
18	10102012	229-27602	绕线轴	Bobbin winder shaft	1
19	10112033	-----	绕线座连杆	Connecting rod	1
20	10126018	-----	绕线座连杆销	Connecting rod pin	1
21	10112034	-----	绕线架连杆	Bobbin winder frame rod	1
22	10126018	-----	绕线架连杆销	Bobbin winder frame rod pin	1
23	10120006	-----	绕线架连杆轴位螺钉	Screw	1
24	10126019	-----	绕线架销	Bobbin winder frame pin	1
25	10127017	-----	绕线架簧	Bobbin winder frame spring	1
26	10122027	-----	绕线轮制动垫	Rubber brake	1
27	10112035	-----	制动垫夹	Presser plate	1
28	S04006	-----	螺钉	Screw	1
29	10112036	229-28105	满线跳板簧	Bobbin winder spring	1
30	S04017	SS-7081310-SP	过线夹线螺钉	Hinge screw	1
31	10112037	229-28501	过线架座	Thread tension bracket asm.	1
32	101S30013	229-28709	螺钉	Screw	1
33	10108005	-----	过线夹线板挡圈	Bobbin winder tension disc collar	1
34	10112038	229-28907	过线夹线板	Tension disc	2
35	10127018	229-29004	过线夹线簧	Tension spring	1
36	101S16005	229-28808	螺母	Nut	1
37	S04006	SS-4110515-SP	螺钉	Screw	1
38	101S30014	SK-3412000-SC	木螺钉	Wood screw	2
39	10128008	WP-0450826-SC	垫圈	Washer	2
40	113S14002	-----	螺钉	Screw	2
41	11312008	-----	选针盒紧固夹 (镶嵌式)	Set pin (inlay)	2
42	11330001	-----	选针盒 (镶嵌式)	Control box (inlay)	1

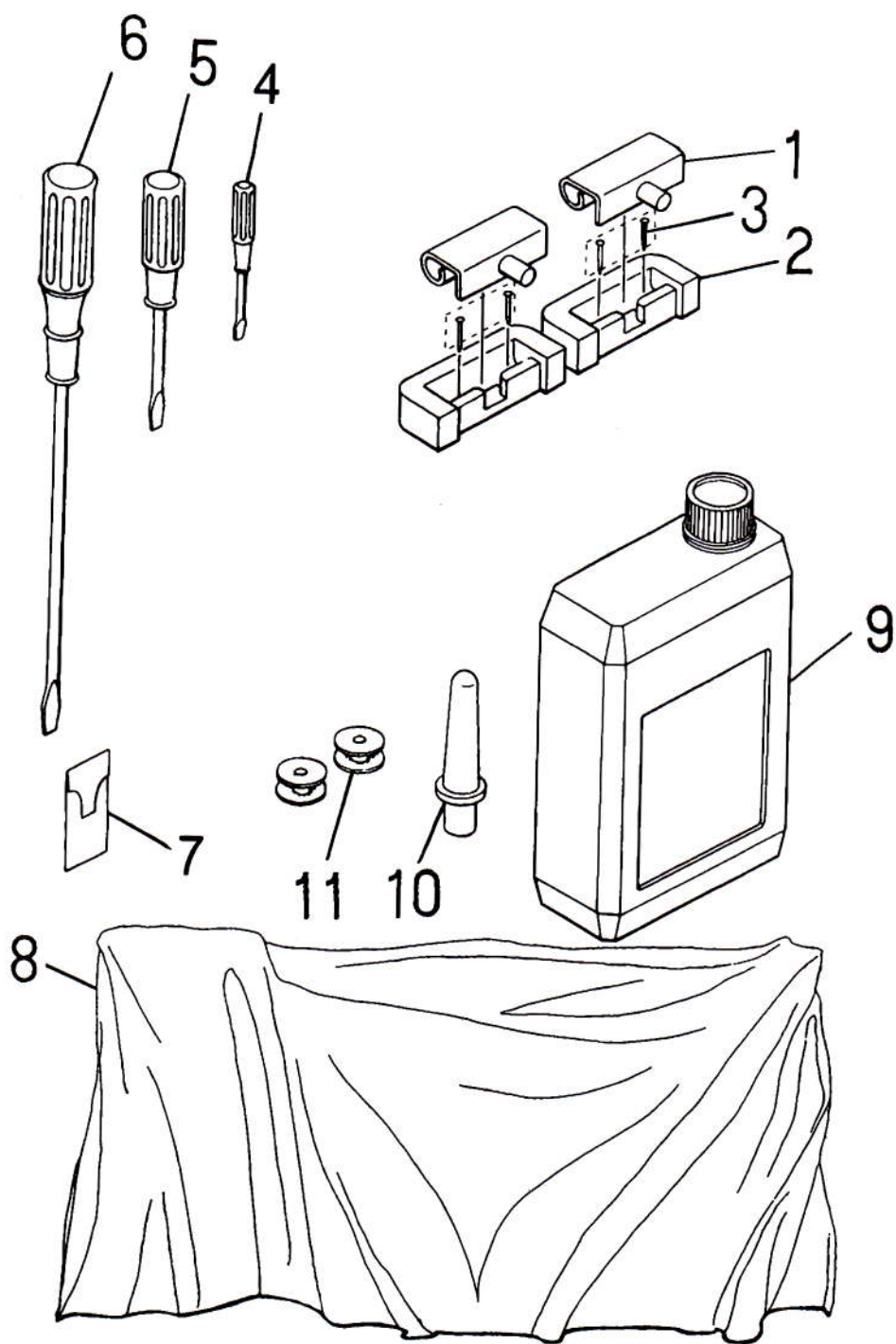
十二. 线架分组件 / Thread Stand Components



十二. 线架分组件 / Thread Stand Components

序号 Ref.No.	件号 Part No.	参考件号 Ref.Part No.	名称	Description	数量 Amt.
1	10122028	229-31406	线架杆顶防护橡皮	Spool rest rod rubber cap	1
2	10131008	229-30309	线架杆下节	Spool rest rod (lower)	1
3	10131009	229-30408	线架杆上节	Spool rest rod (upper)	1
4	10112039	229-31307	线架杆接头	Spool rested joint	1
5	10112040	229-30507	线架过线杆	Thread guide asm.	2
6	10112041	229-30705	线架过线夹	Thread guide asm joint	2
7	S04013	SM-6061610-SC	螺钉	Screw	2
8	10113010	229-31208	过线圈	Thread guide ring	2
9	10131010	229-31000	线盘钉	Spool pin	2
10	10128009	WS-0510002-KN	弹簧垫圈	Spring washer	2
11	101S16006	NM-6050001-SE	螺母	Nut	2
12	10111013	229-30804	线盘	Spool rest	2
13	10111014	229-31109	线团防松垫	Spool vibration stopper	2
14	10128010	WP-1612616-SE	垫圈	Washer	2
15	N02003	-----	螺母	Nut	2
16	10123008	229-30903	线盘垫	Spool rest cushion	2
17	N01002	NM-6050001-SE	螺母	Nut	2
18	S04018	SM-4051405-SE	螺钉	Screw	2

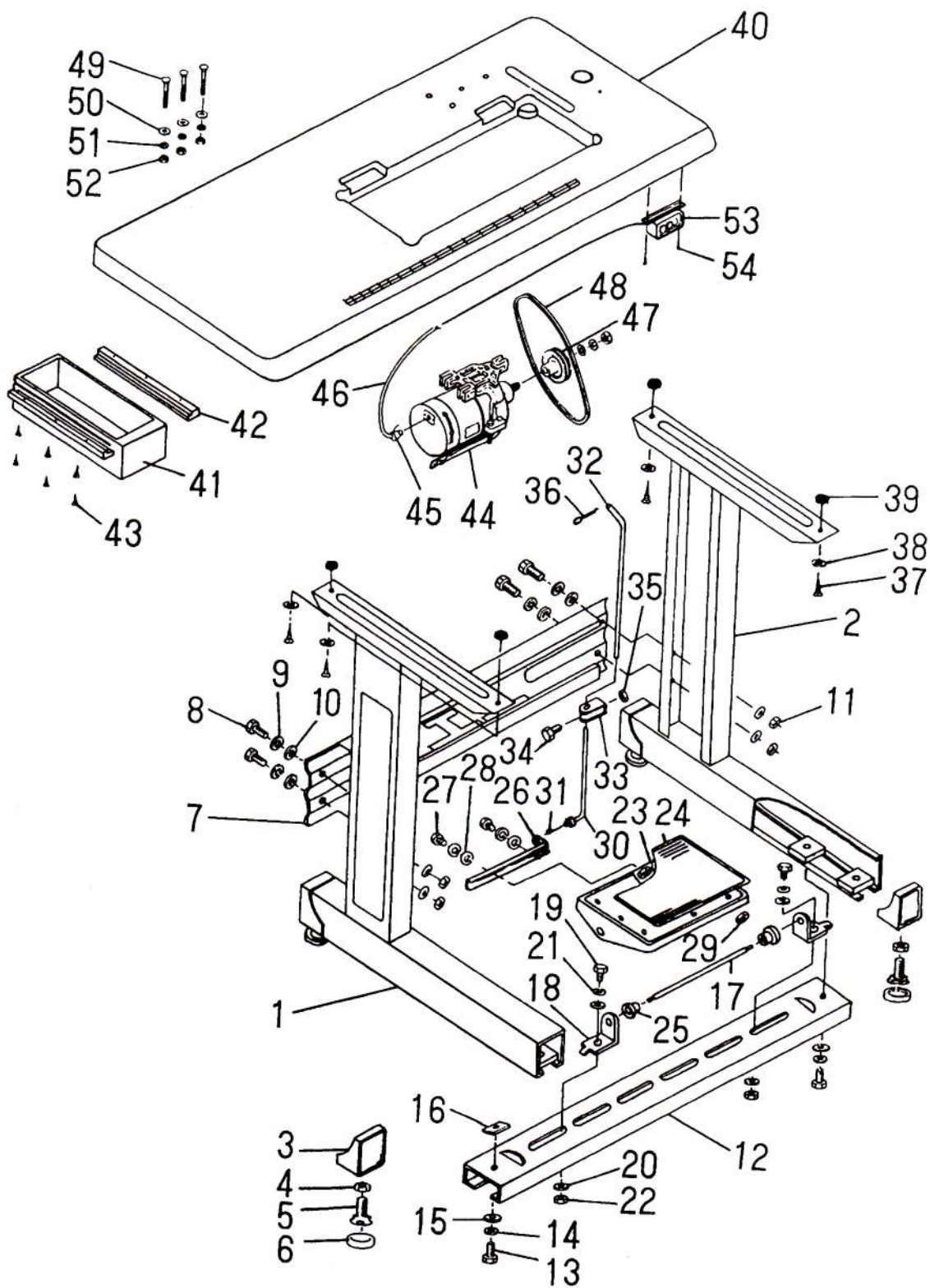
十三. 机头附件 / Machine Head Accessories



十三. 机头附件 / Machine Head Accessories

序号 Ref.No.	件号 Part No.	参考件号 Ref.Part No.	名称	Description	数量 Amt.
1	1011203100	-----	机头连接钩部件	Machine hinge plate asm.	2
2	10122026	-----	机头连接钩座	Machine hinge plate	2
3	101S30010	-----	机头连接钩座钉	Nail	4
4	10131004	-----	螺丝刀 (小)	Screw driver,small	1
5	10131003	-----	螺丝刀 (中)	Screw driver,mendium	1
6	10131002	-----	螺丝刀 (大)	Screw driver,large	1
7	10117001	-----	机针	Needle	1包
8	10131005	-----	机头罩	Machine head cover	1
9	1011101200	-----	油箱部件	Oil reservoir asm.	1
10	10111011	-----	机头支柱	Machine rest pin	1
11	10118003	-----	梭心	Bobbin	2

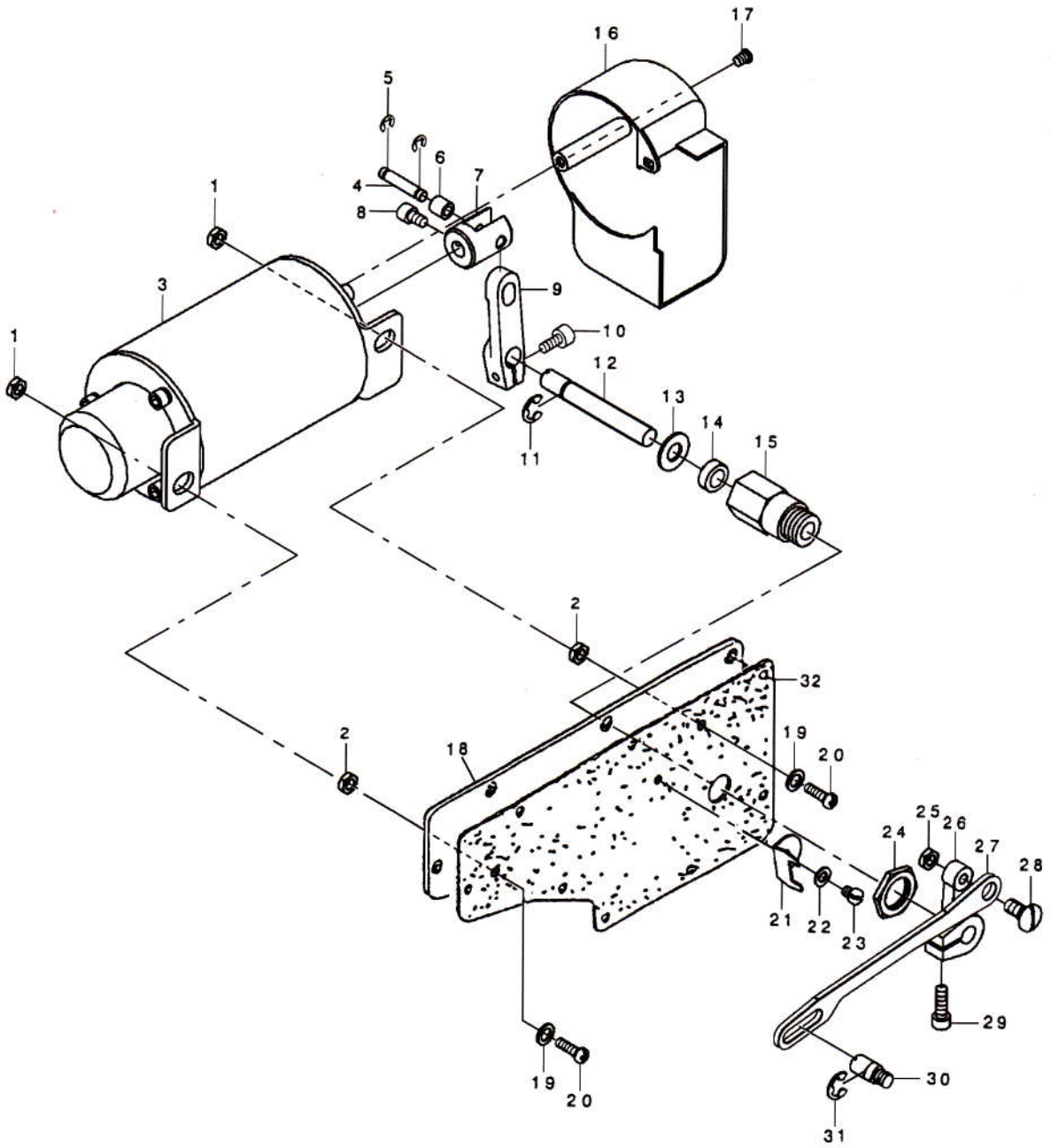
十四. 机架、台板、电器分组件 / Machine Stand, Table, Electric Appliance Components



十四. 机架、台板、电器分组件 / Machine Stand, Table, Electric Appliance Components

序号 Ref.No.	件号 Part No.	参考件号 Ref.Part No.	名称	Description	数量 Amt.
1	1011204200	-----	边架部件 (左)	Stand side asm. left	1
2	1011204300	-----	边架部件 (右)	Stand side asm. right	1
3	10111015	-----	边架座套	Rubber cushion	4
4	N01010	-----	螺母	Nut	4
5	101S30015	-----	调节座	Screw	4
6	10122029	-----	调节座橡胶	Space ring	4
7	10112044	-----	横档	Stand side support	1
8	L02014	-----	横档连接螺栓	Screw	4
9	10128011	-----	垫圈	Spring washer	4
10	W01010	-----	垫圈	Washer	8
11	N01011	-----	螺母	Nut	4
12	10112045	-----	踏板轴档	Treadle brace	1
13	L02014	-----	踏板轴档螺栓	Screw	2
14	10128011	-----	垫圈	Spring washer	2
15	W01010	-----	垫圈	Washer	2
16	10112046	-----	踏板轴档定位螺母板	Treadle brace locknut plate	2
17	10102013	-----	踏板轴	Treadle shaft	1
18	10112047	-----	踏板轴座	Treadle bracket	2
19	L02014	-----	踏板轴座螺栓	Screw	2
20	W01010	-----	垫圈	Washer	4
21	10128011	-----	弹簧垫圈	Spring washer	2
22	N01011	-----	螺母	Nut	2
23	10112048	-----	踏板	Treadle	1
24	10122030	-----	踏板垫	Gasket	1
25	10103023	-----	踏板衬套	Collar	2
26	10112049	-----	踏板杠杆	Treadle pitman	1
27	L02015	-----	踏板杠杆螺栓	Screw	2
28	W01003	-----	垫圈	Washer	4
29	N01012	-----	螺母	Nut	2
30	10112050	-----	下拉杆	Pitman rod. lower	1
31	10127019	-----	拉杆弹簧	Spring	1
32	10112051	-----	上拉杆	pitman rod. upper	1
33	10112052	-----	拉杆接头	Joint	1
34	L02015	-----	拉杆接头螺栓	Joint screw	1
35	N01012	-----	螺母	Nut	1
36	10129001	-----	上拉杆开口销	Pitman rod split pin (upper)	1
37	101S30016	-----	台板木螺钉	Table Wood screw	4
38	10128012	-----	垫圈	Table Wood screw washer	4
39	10128013	-----	台板垫圈	Table washer	4
40	10132002	-----	台板	Table	1
41	10111016	-----	抽斗	Drawer	1
42	10111017	-----	抽斗导轨	Drawer rail	2
43	101S30017	-----	抽斗导轨木螺钉	Drawer rail wood screw	6
44	10133001	-----	GFC4024型电机	Motor GFC4024 motor	1
45	10130002	-----	电机接线插头	Motor connecting wire plug	1
46	10130003	-----	电机接线	Motor wire	1
47	10135004	-----	电动机带轮	Motor pulley	1
48	10135002	-----	机头传动带	Machine driving belt	1
49	101S30018	-----	螺钉	Screw	3
50	10128014	-----	垫圈	Washer	3
51	10128011	-----	弹簧垫圈	Spring washer	3
52	N01011	-----	螺母	Nut	3
53	10130004	-----	电源开关	Power source switch	1
54	101S30019	-----	电源开关木螺钉	Power source switch wood screw	2

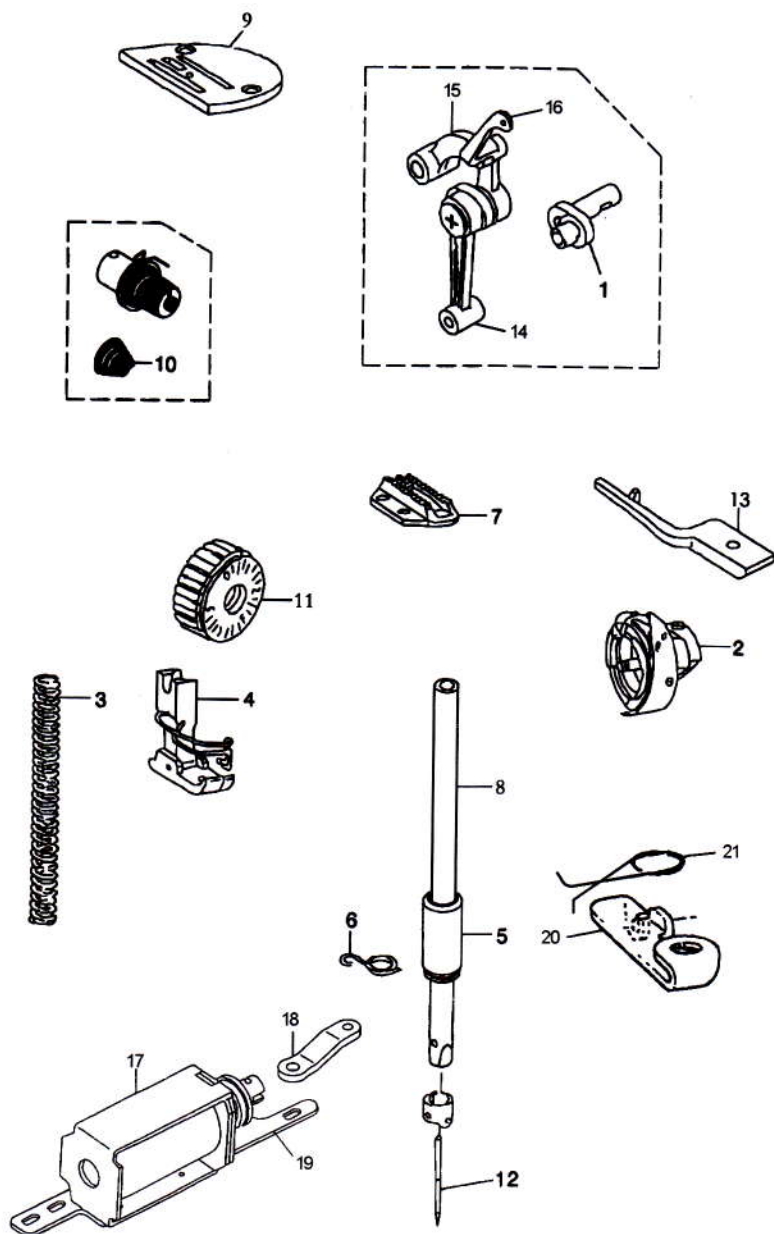
十五. 自动抬压脚部件 / Auto Lifter Components



十五. 自动抬压脚部件 / Auto Lifter Components

序号 Ref.No.	件号 Part No.	参考件号 Ref.Part No.	名称	Description	数量 Amt.
1	112S16012	-----	支承螺钉小螺母	Nut	2
2	112S16013	-----	支撑架大螺母	Nut	2
3	11230013	-----	自动抬压电磁铁组件	Magnetic plug. asm	1
4	11226007	-----	电磁铁曲柄销	Magnetic plug pin	1
5	H05003	-----	挡圈5	E-ring 5	2
6	11203003	-----	曲柄套筒	Sleeve	1
7	11201003	-----	电磁铁芯轴接头	Magnetic Plug pin tie-in	1
8	S05038	-----	接头螺钉	Screw	1
9	11204005	-----	电磁铁曲柄	Magnetic crank	1
10	S05013	-----	螺钉	Screw	1
11	H05011	-----	挡圈9	E-ring 9	1
12	11202003	-----	自动抬压脚轴	Automated presser foot shaft	1
13	11228003	-----	套筒垫片	Washer	1
14	11222016	-----	油封	Oil seal	1
15	11203002	-----	套筒	Sleeve	1
16	11211006	-----	自动抬压脚罩壳	Wiper cover	1
17	S04022	-----	罩壳螺钉	Screw	2
18	300237	-----	后窗板	Side plate	1
19	11228001	-----	支架支承螺钉垫片	Washer	1
20	112S11015	-----	支架支承螺钉	Screw	1
21	11212037	-----	拉杆支架	Pull rod bracket	1
22	11228002	-----	拉杆支架垫片	Pull rod bracket washer	1
23	112S11014	-----	拉杆支架紧固螺钉	Screw	1
24	112S16011	-----	套筒螺母	Nut	1
25	112S16012	-----	拉杆螺母	Nut	1
26	11204004	-----	自动抬压脚曲柄	Crank	1
27	11212016	-----	拉杆	Pull rod	1
28	112S20008	-----	拉杆螺钉	Screw	1
29	S05004	-----	螺钉	Screw	1
30	112S20009	-----	抬压脚拉杆螺钉	Screw	1
31	H05013	-----	挡圈6	E-ring 6	1
32	11222010	-----	后窗板垫	Gasket	1

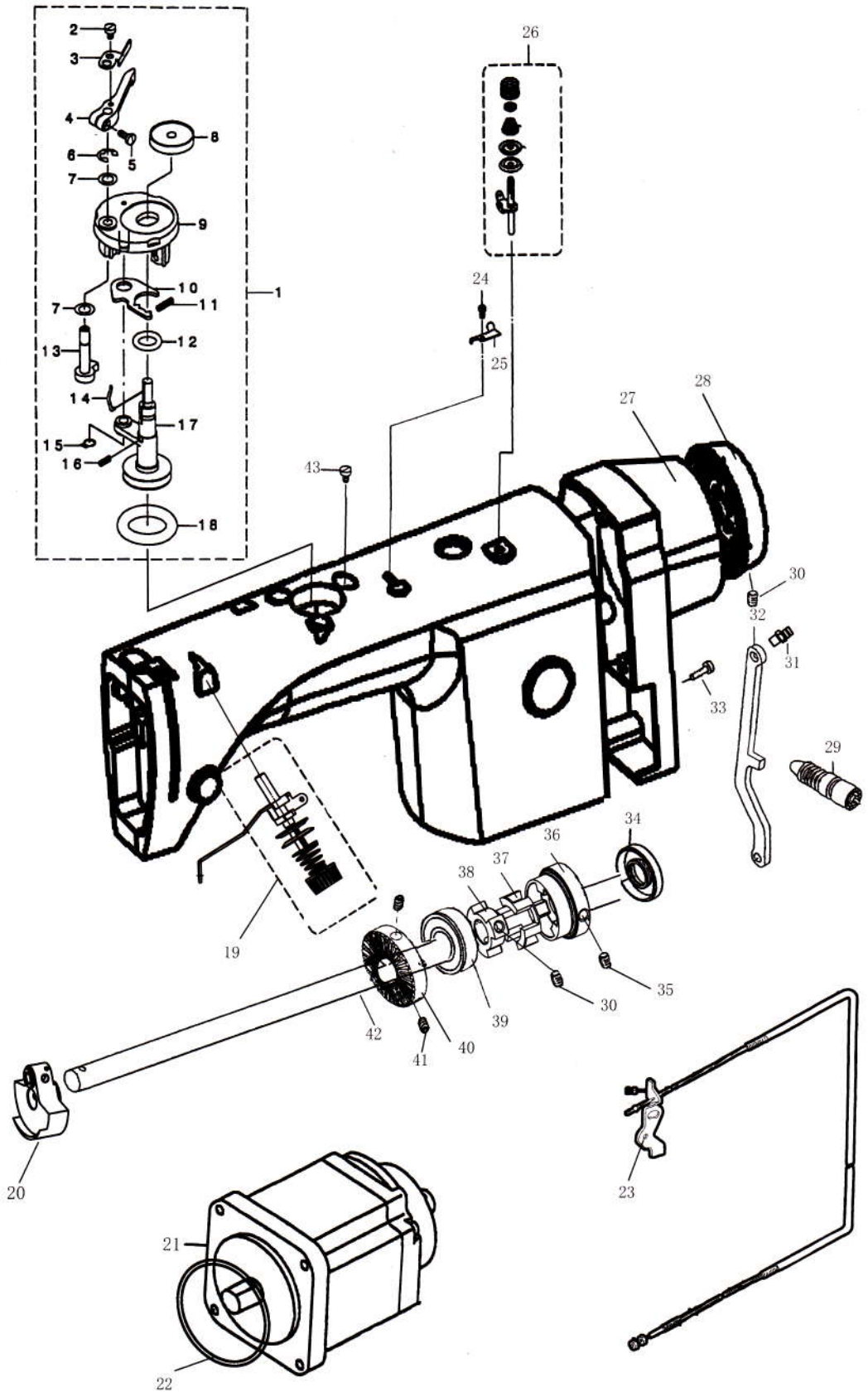
厚料专用部件 / For Heavy-weight Materials



厚料专用部件 / For Heavy-weight Materials

序号 Ref.No.	件号 Part No.	参考件号 Ref.Part No.	名称	Description	数量 Amt.
1	10110004	110-91600	挑线曲柄	Needle Bar Crank H	1
2	11218502	110-92251	旋梭	Lubricating Bobbin Asm.	1
3	10127018	B1505-552-000-A	调压簧	Presser Spring	1
4	1011600400	D1524-555-EBL	压脚	Presser Foot Asm.	1
5	10103023	229-70313	针杆下轴套	Needle Bar Bushing,Lower	1
6	10113009	B1419-553-000	针杆下轴套线钩	Needle Bar Thread Guide	1
7	10114002	114-03003	送料牙	Feed	1
8	10102012	229-70206	针杆	Needle Bar	1
9	10115003	114-00801	针板	Throat Plate	1
10	10127017	229-62005	夹线簧	Thread Tension Spring	1
11	10111019	229-11903	送料旋钮	Feed Dial	1
12	800119	MDB-100B2100	机针DB × 1 21 #	Needle Dbx1 #21	1
13	10112032	229-62401	旋梭定位钩	Positioning Finger H	1
14	1130500100	-----	针杆连杆组件	Needle bar crank rod	1
15	11305001	-----	挑线连杆	Thread take-up lever asm.	1
16	11338001	-----	挑线杆	Thread take-up lever asm.	1
17	11330010	-----	倒缝电磁铁	Solenoid mounting base asm.	1
18	11312013	229-62500	拉杆	Solenoid connecting link, H	1
19	11312014	-----	支架	Solenoid base	1
20	11312007	-----	松线座	Thread loose seat	1
21	11327003	-----	弹簧	Sping	1

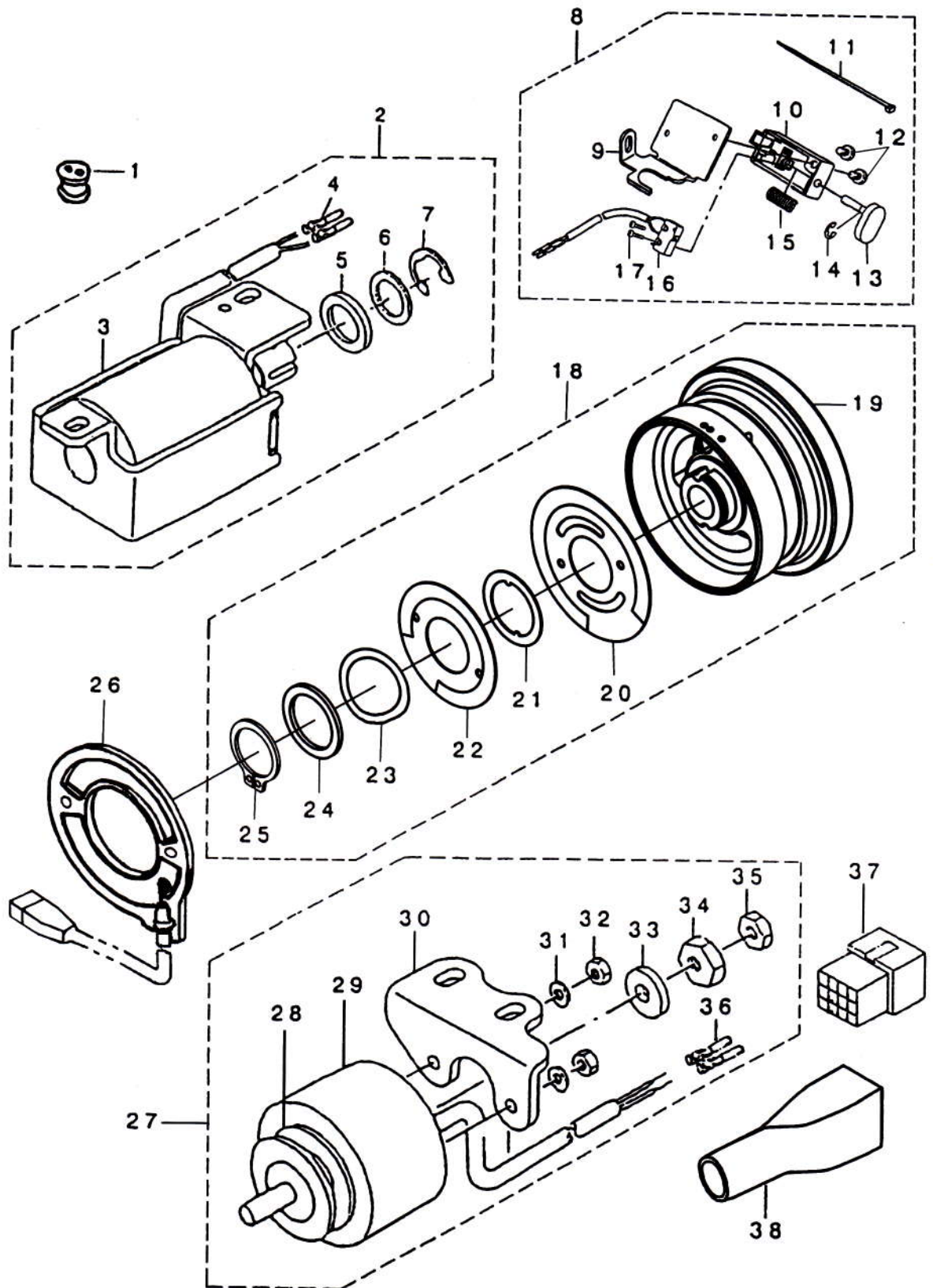
迅利II专用部件 / For SHIRLEY II Materials



迅利 II 专用部件 / For SHIRLEY II Materials

序号 Ref.No.	件号 Part No.	参考件号 Ref.Part No.	名 称	Description	数量 Amt.
1	1143100100	236-36061	绕线器组件	Bobbin winder asm	1
2	114S11001	SS-6090520-SP	螺钉	Screw	1
3	11412009	236-36509	绕线调节板	Bobbin winder adjust plate	1
4	11404001	236-36202	绕线控制杆	Bobbin lever	1
5	114S11002	SS-7091410-SP	螺钉	Screw	1
6	H05006	RE--0500000-K0	挡圈	E-ring	1
7	11411002	106-18304	平垫片	Vertical roller washer	2
8	11411003	236-36707	绕线衬套	Bobbin cushion	1
9	11431002	225-37658	绕线装置主座	Bobbin fitting basis compl	1
10	11412010	225-38409	调节板	Adjusting plate	1
11	11427004	229-12109	弹簧	Pressur foot spring	1
12	O01034	RO-0922702-00	O型圈	Rubber ring	1
13	1141000100	225-38151	绕线凸轮组件	Bobbin cam shaft compl	1
14	11427005	B3212-761-000	卡紧弹簧	Latch spring	1
15	H01008	RC-0560711-KP	轴用弹性挡圈	Reetaining ring	1
16	11427003	B1529-890-00C-A	弹簧	Pressur foot spring	1
17	1140200100	236-36053	绕线轴组件	Bobbin winder shaft compl	1
18	O01033	236-36301	O型圈	ring	1
19	1141300400	—————	小夹线器组件	Small thread tension asm	1
20	11404034	—————	针杆曲柄	Comrter weight	1
21	11433013	—————	电机	Motor	1
22	11422029	—————	电机密封圈	Thrust collar asm	1
23	1141206000	—————	松线顶板组件	Thred release wire asm	1
24	101S11005	SS-6090620-TP	螺钉	Screw	2
25	11419001	105-02300	割线刀	Knife	1
26	1141300200	236-36657	底线夹线器	Thread tension asm	1
27	11411034	—————	电机罩	Motor cover	1
28	300822	—————	手轮	Hang wheel	1
29	11426019	—————	送料调节螺柱	Feed regulator screw	1
30	S05044	—————	螺钉	Screw	4
31	11426021	—————	倒送料连杆销	Feed rerulator pin	1
32	11405015	—————	倒送料连杆	Feed rerulator connecting rod	1
33	114S30001	SL-6052592-TN	螺栓	Bolt	4
34	1142202800	—————	油封组件	Oil seal unit	1
35	305S14007	—————	螺钉	Screw	2
36	11403035	—————	上轴联轴器	Up shaft linker	1
37	11428007	—————	减震垫圈	damping washer	1
38	11403036	—————	电机联轴器	Motor linker	1
39	B07042	—————	轴承	Bearing	1
40	11435013	—————	绕线器驱动轮	Bobbin winder driveng wheel	1
41	114S14001	SS-8110422-TP	驱动轮螺钉	driveng wheel Screw	1
42	11402037	236-04002	上轴	Up shaft	1
43	101S11005	SS-6090620-TP	螺钉	Screw	3

迅轮专用部件 / For SHIRLUNY Material



迅轮专用部件 / For SHIRLUNY Material

序号 Ref.No.	件号 Part No.	参考件号 Ref.Part No.	名称	Description	数量 Amt.
1	11322004	-----	双孔橡皮塞	Rubber bushing	1
2	1133000500	-----	倒缝电磁铁组件	Reverse feed magner asm	1
3	11330002	-----	倒缝电磁铁	Reverse feed magner	1
4	11230012	-----	插针	Pin contact	2
5	11222006	D24-555-B00	橡皮垫圈	Rubber plunger	1
6	W01014	WP-1602016-SZ	垫圈16	Plunger	1
7	H05014	RE-1200000-K0	开口挡圈	E-ing	1
8	1133000600	-----	倒缝开关组件	Reverse feed switch asm	1
9	11312020	-----	开关固定支架	Reverse feed switch base	1
10	11311002	-----	开关罩壳	Reverse feed switch cover	1
11	11211005	-----	尼龙扎带	Cable band	1
12	101S11025	-----	螺钉SM11/64" × 40 L=7	Screw SM11/64" × 40 L=7	2
13	11311003	-----	倒缝开关触钮	Button	1
14	H05007	-----	开口挡圈	E-ing	1
15	11327011	-----	开关复位簧	Sping	1
16	11430013	-----	开关	Microswitch	1
17	S04022	-----	螺钉M2 × 10	Screw M2 × 10	2
18	1133500100	-----	上轮组件	Hand wheel asm.	1
19	300861	-----	上轮	Hand wheel	1
20	11330005	-----	感光片A	photosensitive glass A	1
21	11328003	-----	垫片	Shim	1
22	11330006	-----	观光片B	photosensitive glass B	1
23	11328004	-----	波形垫片	Shim	1
24	11328005	-----	垫片	Shim	1
25	H03012	-----	挡圈25	Ring 25	1
26	11330007	-----	定位器	Dynamo stator	1
27	1133000800	-----	剪线电磁铁组件	Thread trimmer solenoid asm	1
28	11322005	-----	缓冲垫	Shim	1
29	11330008	-----	剪线电磁铁	Thread trimmer solenoid	1
30	11312021	-----	支架	Solenoid base	1
31	W01013	-----	弹簧垫片	Shim	2
32	N01016	-----	螺母M4	Nut	2
33	11222005	-----	缓冲垫	Shim	1
34	112S16005	-----	螺母	Nut	1
35	112S16006	-----	螺母	Nut	1
36	11230012	-----	插针	Pin contact	2
37	11230015	-----	12孔接线器	Housing 12P	1
38	11222014	-----	橡皮套	Rubber cover	1