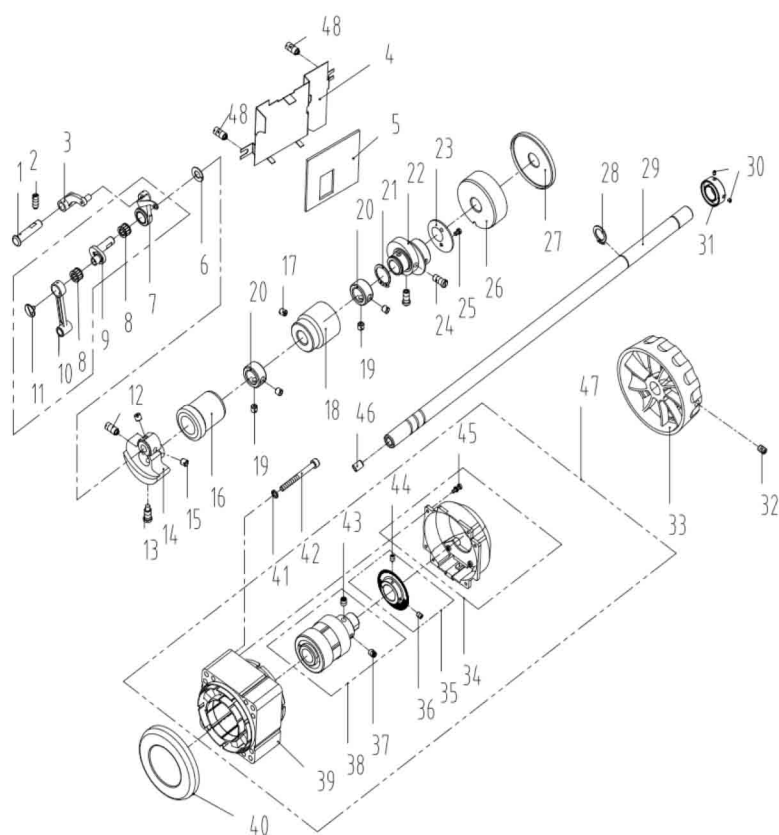


#### 1. 机壳、外装部件/Machine Frame & Miscellaneous Cover Components

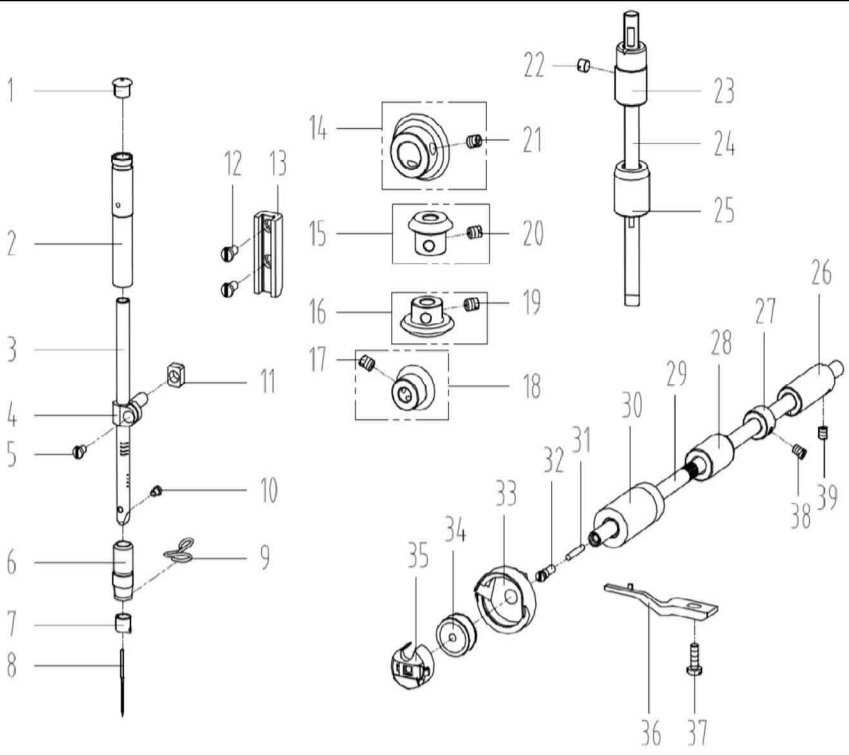
序号 NO	公司件号 Part NO	名称 PartName	零件描述 Description	数量 Number
1	101S11001	螺钉SM3/16"×28 L=9	Screw SM3/16"×28 L=9	14
2	10122003	面板调节孔螺塞	Rubber plug	2
3	115037001	商标牌	Head card	1
4	930000262	面板(喷漆)	Face plate asm	1
5	13813005	左线钩	Thread guide left	1
6	101S11007	螺钉SM11/64"×40 L=6	Screw SM11/64"×40 L=6	1
7	115022002	面板垫	Face plate gasket	1
8	101S11027	螺钉SM1/8"×44 L=3.4	Screw SM1/8"×44 L=3.4	1
9	113812019	面部防油板	Face oil shield asm	1
	11412082	面部防油板(厚料)	Face oil shield asm (H)	1
10	11503000100	倒缝开关组件(三开关)(琦星)	Three switch components (Q)	1
	11503002900	倒缝开关组件(三开关)	Three switch components	1
11	101S11004	螺钉SM3/16"×28 L=7	Screw SM3/16"×28 L=7	2
12	13812018	挑线杆防护罩	Thread take-up lever cover	1
13	10122004	针杆曲柄螺孔塞	Rubber plug	1
14	10122005	挑线连杆销螺孔塞	Rubber plug	1
15	101S11004	螺钉SM3/16"×28 L=7	Screw SM3/16"×28 L=7	1
16	13512004	三孔线勾	3-hole thread guide	1
17	10122005	挑线连杆销螺孔塞	Rubber plug	1
18	114S11015	螺钉SM9/64"×40 L=6	Screw SM9/64"×40 L=6	2
19	11419001	割线刀	Knife	1
20	138S05001	螺钉TM3 L=12	Screw M3 L=12	2
21	13822001	操作屏孔塞	Rubber plug	2
22	20722002	油塞	Rubber plug	1
23	115322001	后窗板垫	Side plate gasket	1
24	930000726	后窗板(喷漆)	Side plate	1
25	11533300100	一体机电控组件(琦星)	Electronic control asm (Q)	1
	W01009	GB/T97.1-1985垫圈5 (琦星)	Washer 5(Q)	2
26	W01009	GB/T97.1-1985垫圈5 (鲍麦, 众邦)	Washer 5(Power Max, Z)	3
27	114S13001	螺栓(内六角)M5 L=20	Screw M5 L=20	1
	114S13001	螺栓(内六角)M5×20(鲍麦)	Screw M5×20(Power Max)	4
28	S05901	螺钉TM5×50(琦星)	Screw M5×50(Q)	3
	114S13001	螺栓(内六角)M5×20(众邦)	Screw M5×20(Z)	3
29	11533300400	一体机电控面板组件(琦星)	Control panel (Q)	1
30	13810008	小夹线器螺柱	Thread tension post	1
31	13812066	过线板	Thread tension guide plate	1
32	14112017	小夹线板	Thread tension disk	2
33	11227001	小夹线弹簧	Thread tension spring	1
34	141S16019	小夹线器螺母	Thread tension nut	1
35	1411300400	小夹线器组件	Thread tension asm	1
36	138S08006	螺钉SM3/16"×28 L=7	Screw SM3/16"×28 L=7	1
	1411300200	夹线器组件	Thread tension asm.	1
	11411300300	夹线器组件(厚料)	Thread tension asm.(H)	1
37	141S16013	夹线螺母	Thread tension nut	1
38	10112007	夹线制动板	Thread disk rotating stopper	1
39	10127002	夹线弹簧	Thread tension spring	1
	11427050	夹线弹簧(厚料)	Thread tension spring A (H)	1
40	14112016	松线板	Disk stopper	1
41	14112015	夹线板	Thread tension disk	2
42	141S30001	夹线螺钉	Thread tension post	1
43	10127001	挑线簧	Thread take-up spring	1
44	10127031	挑线簧(厚料)	Thread take-up spring(H)	1
45	10103011	挑线簧调节座	Thread tension base	1
46	10122014	挑线簧调节座O型圈	Rubber ring	1
47	101S15005	夹线螺钉紧固螺钉SM 9/64"×40 L=5.5	Screw SM9/64"×40 L=5.5	1
	11326012	松线钉	Tension release pin	1
48	10126002	松线钉(厚料)	Tension release pin (H)	1
49	11493000300	电子夹线器组件	Nest less e-device	1
50	207S14007	螺钉TM4 L=6	Screw M4 L=6	1
51	101S12001	底板支柱	Machine head stud	4
52	101S11019	螺钉SM3/32"×56 L=2	Screw SM3/32"×56 L=2	2
53	10127009	推板簧	Slide plate spring	1
54	10115002	推板	Slide plate	1
	13815011	针板	Needle plate	1
55	11315001	针板(厚料)	Needle plate (H)	1
	10815001	针板(-7)	Needle plate (-7)	1
56	104S17002	螺钉SM11/64"×40 L=6.5	Screw SM11/64"×40 L=6.5	2
57	13812019	卷边器座	Ruler stop seat	1
58	101S11002	螺钉SM11/64"×40 L=5.5	Screw SM11/64"×40 L=5.5	1
59	11413011	固定式缓线钩	Thread guide	1
60	401S16001	螺母SM9/64"×40	Nut SM9/64"×40	1
61	101S15010	螺钉SM15/64"×28 L=10.5	Screw SM15/64"×28 L=10.5	1
62	10113004	右线钩	Thread guide right	1
63	101S11007	螺钉SM11/64"×40 L=6	Screw SM11/64"×40 L=6	1
64	115026002	电控罩壳销	Pin	1
65	101S11026	螺钉SM15/64"×28 L=9	Screw SM15/64"×28 L=9	1
66	113811004	尼龙扎带	Cable band	6
67	W02004	垫片	Washer	2
68	114130006	无线通信模块(+)	RF wireless data communication module(+)	1
69	S04021	螺钉TM4 L=4	Screw M4 L=4	1
70	13812007	卡簧	Circlip	1
71	10128016	螺纹销橡胶垫	Threaded pin rubber pad	1
72	113S11004	线导管压板螺钉	Screw	1
73	144S30001	后侧盖螺钉	Rear cover screws	1



## 2. 上轴、挑线部件 / Main Shaft & Thread Take-up Components

序号 NO	公司件号 Part NO	名称 PartName	零件描述 Description	数量 Number
1	10126001	挑线连杆销	Thread take-up connecting rod pin	1
2	101515001	螺钉SM15/64*×28 L=15	Screw SM15/64*×28 L=15	1
3	10105001	挑线连杆(厚料)	Thread take-up connecting rod (H)	1
4	115312004	防油罩	Oil shield	1
5	115323001	防油罩油棉	Oil cotton	1
6	10112003	针杆曲柄护板	Needle bar crank protecting plate	1
7	1013800100	挑线杆分组件	Thread take-up lever asm	1
	1133800200	挑线杆组件(厚料)	Thread take-up lever asm (H)	1
8	10124001	挑线杆滚针轴承	Needle bearing	2
	1011000100	挑线曲柄分部件	Thread take-up crank	1
9	1011000400	挑线曲柄分部件(厚料)	Thread take-up crank (H)	1
	11310010	挑线曲柄(H-M)	Thread take-up crank (H-M)	1
10	10105002	针杆连杆	Needle bar connecting rod	1
11	101517001	螺钉SM9/64*×40 (左旋) L=4.8	Screw SM9/64*×40 (left hand) L=4.8	1
12	101515004	紧固螺钉SM9/32*×28 L=16	Screw SM9/32*×28 L=16	1
13	101511003	定位螺钉SM9/32*×28 L=16	Screw SM9/32*×28 L=16	1
	10404001	针杆曲柄	Needle bar crank	1
14	11404035	针杆曲柄(厚料)	Needle bar crank (H)	1
	11310010	针杆曲柄(H-M)	Needle bar crank (H-M)	1
15	101515002	螺钉SM1/4*×40 L=6	Screw SM1/4*×40 L=6	2
16	1140300200	上轴前轴套组件	Main shaft bushing front	1
17	101515006	螺钉SM15/64*×28 L=7	Screw SM15/64*×28 L=7	1
18	12203002	主轴中轴套	Main shaft bushing mid	1
19	101514001	螺钉SM1/4*×40 L=6	Screw SM1/4*×40 L=6	4
20	10108001	上轴挡圈	Main shaft thrust collar	2
21	H03002	挡圈20	Snap ring 20	1
	400092	送料偏心轮	Feed eccentric cam	1
22	400811	送料偏心轮(厚料、-HL)	Feed eccentric cam (H, -HL)	1
	400006	送料偏心轮(H-M、-7)	Feed eccentric cam (H-M, -7)	1
23	10112017	送料偏心轮盖板	Cover plate	1
	10812002	送料偏心轮盖板(厚料、-HL)	Cover plate (H, -HL)	1
24	101511013	螺钉SM1/4*×40 L=13	Screw SM1/4*×40 L=13	2
	207511018	螺钉5 L=10	Screw M5 L=10	2
25	113511003	螺钉SM9/64*×40 L=5	Screw SM9/64*×40 L=5	2
26	13803002	上轴后轴套	The rear axle sleeve	1
27	10122105	上轴后套挡油封	Oil seal	1
28	H03001	GB/T894.1-1986挡圈15	Snap ring 15	1
29	115002001	上轴	Main shaft	1
30	S10026	GB/T80-1985螺钉M3 L=3	Screw M3 L=3	2
31	115008001	电机防尘套	Motor dust jacket	1
32	S10009	螺钉M6 L=8	Screw M6 L=8	2
33	302830	手轮(喷漆)	Handwheel	1
34	195100073	电机罩壳组件(配琦星)	Motor cover asm (Q)	1
	195100100	电机罩壳组件(配众邦)	Motor cover asm (Z)	1
35	195100112	电机光栅组件(配琦星)	Motor grating sensor asm (Q)	1
36	S09022	螺钉M3 L=4	Screw M3 L=4	1
37	S09113	螺钉M6 L=6	Screw M6 L=6	1
38	95100182	电机转子总成	Motor rotor	1
39	95100171	电机定子总成	Motor stator	1
40	13811060	电机绝缘防护罩	Motor insulation shield	1
41	W02058	GB 93-1987弹垫d5	Spring washer 5	3
42	S05901	螺钉M5 L=50	Screw M5 L=50	3
43	S09113	螺钉M6 L=6	Screw M6 L=6	1
44	S09022	螺钉M3 L=4	Screw M3 L=4	1
45	951515011	螺钉组合件M3 L=12	Screw Asm M3 L=12	5
46	10122012	上轴孔塞	Rubber plug	1
47	115033007	光电伺服电机(琦星)	Motor (Q)	1
	115233002	光电伺服电机(众邦)	Motor (Z)	1
48	141511002	螺钉SM3/16*×28 L=4.5	Screw SM3/16*×28 L=4.5	2

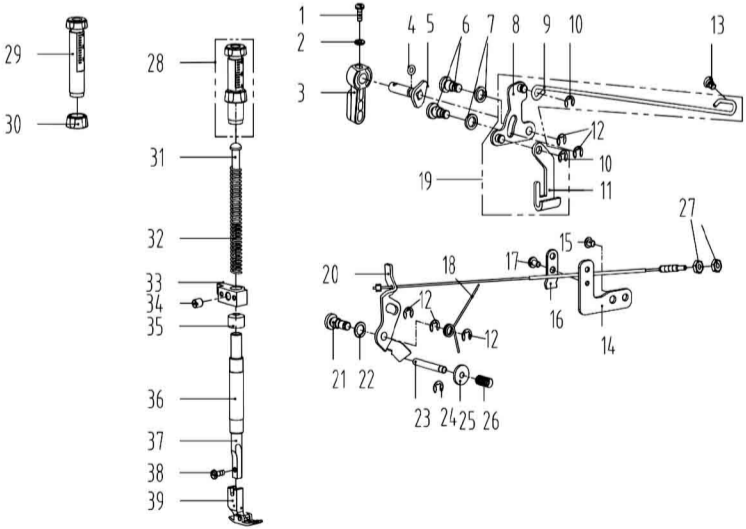
### 3



### 3. 针杆、竖轴、下轴部件/Needle bar & Upright Shaft & Hook Driving Shaft Components

序号 NO	公司件号 Part NO	名称 PartName	零件描述 Description	数量 Number
1	10122013	针杆上衬套孔塞	Rubber plug	1
2	14103009	针杆上衬套	Needle bar bushing upper	1
	10103009	针杆上衬套 (厚料)	Needle bar bushing upper (H)	1
3	11402039	针杆	Needle bar	1
	10102021	针杆(厚料)	Needle bar (H)	1
4	10138002	针杆连接柱	Needle bar connecting rod	1
5	101S11005	螺钉SM9/64"x40 L=6	Screw SM9/64"x40 L=6	1
6	10103010	针杆下衬套	Needle bar bushing lower	1
	11303023	针杆下衬套(厚料)	Needle bar bushing lower (H)	1
7	10113002	针杆线勾	Needle bar thread guide	1
	11412063	针杆线勾(厚料)	Needle bar thread guide (H)	1
8	10117001	机针DB×1 #14	Needle DB×1 #14	1
	10117002	机针DP×5 #21(厚料)	Needle DP×5 #21 (H)	1
9	10413001	针杆下衬套线勾	Lower bushing thread guide	1
	10113009	针杆下衬套线勾(厚料)	Lower bushing thread guide (H)	1
10	104S11006	螺钉SM11/8"x44 L=4.5	Screw SM11/8"x44 L=4.5	1
11	10109001	针杆连接柱滑块	Slide block	1
12	101S11008	螺钉SM11/64"x40 L=8	Screw SM11/64"x40 L=8	2
13	10109002	针杆接头滑块导轨	Needle bar guide	1
14	10425004	上轴伞齿轮	Upper shaft bevel gear	1
15	10425003	竖轴上伞齿轮	Upper small bevel gear asm	1
16	10425002	竖轴下伞齿轮	Lower large bevel gear asm	1
17	101S15014	螺钉SM1/4"x40 L=7	Screw SM1/4"x40 L=7	2
18	10425001	下轴伞齿轮	Hook drive shaft bevel gear	1
19	101S15014	螺钉SM1/4"x40 L=7	Screw SM1/4"x40 L=7	2
20	101S15014	螺钉SM1/4"x40 L=7	Screw SM1/4"x40 L=7	2
21	101S15014	螺钉SM1/4"x40 L=7	Screw SM1/4"x40 L=7	2
22	113S11036	螺钉SM15/64"x28 L=4.7	Screw SM15/64"x28 L=4.7	1
23	10403020	竖轴上轴套	Upright shaft bushing upper	1
24	10102007	竖轴	Upright shaft	1
25	10403013	竖轴下轴套	Upright shaft bushing lower	1
26	10403019	下轴后轴套	Hook driving shaft bushing back	1
27	10108002	下轴挡圈	Hook driving shaft snap ring	1
28	113803006	下轴中套	Lower shaft middle bushing	1
29	13802061	下轴	Hook driving shaft	1
30	11303001	下轴前轴套	Hook driving shaft bushing front	1
31	13823001	下轴限油芯	Oil wick	1
32	101S30005	下轴限油螺钉	Set screw	1
	11418003	广濑中厚料旋梭	Hook asm (Hirose)	1
33	11418004	广濑厚料旋梭(厚料)	Hook asm (Hirose) (H)	1
	13818001	旋梭(-P)	Hook asm (-P)	1
	115018001	薄料旋梭(精品)(-D)	Hook asm (-D)	1
34	10118003	梭心	Bobbin	1
	13818002	梭心(-P)	Bobbin (-P)	1
35	11218504	梭壳	Bobbin case asm	1
	13818003	梭壳(-P)	Bobbin case asm (-P)	1
36	10112016	旋梭定位钩	Finger postioner	1
	10112032	旋梭定位钩(厚料)	Finger postioner (H)	1
37	116S11005	螺钉SM11/64"x40 L=13	Screw SM11/64"x40 L=13	1
38	101S11012	螺钉SM11/64"x40 L=4.8	Screw SM11/64"x40 L=4.8	2
39	113S14020	螺钉SM11/64"x40 L=6	Screw SM11/64"x40 L=6	1

### 4



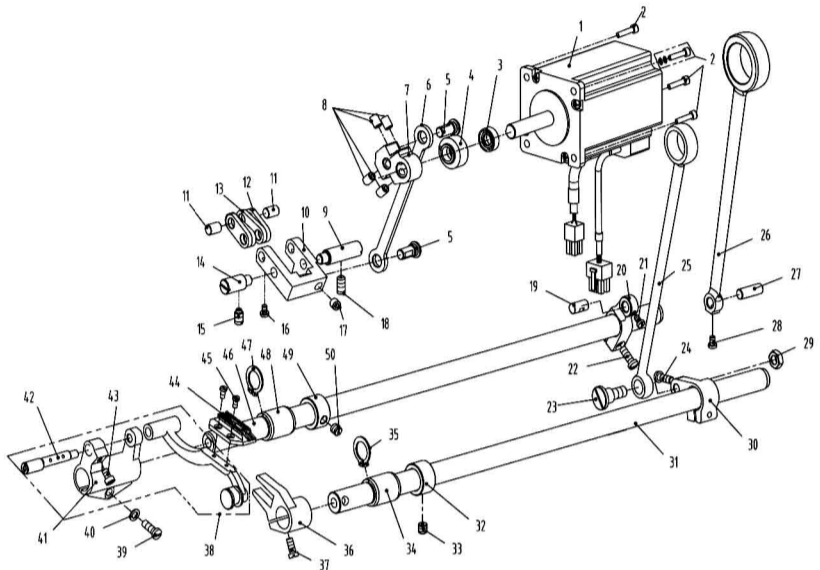
### 4. 压料、自动抬压脚部件/Presser Bar & Auto Lifter Components (1)

序号 NO	公司件号 Part NO	名称 PartName	零件描述 Description	数量 Number
1	101S11010	螺钉SM9/64"x40 L=11	Screw SM9/64"x40 L=11	1
2	10128002	压脚扳手螺钉垫圈	Washer	1
3	13811029	压脚扳手	Hand lifter	1
4	O01004	O型圈	Rubber ring	1
5	1381000200	压脚扳手凸轮分部件	Hand lifter cam asm.	1
6	101S20001	前杠杆螺纹销	Screw	2
7	10128015	螺纹销橡胶垫圈(厚)	Washer	2
8	11531201200	抬压脚前杠杆分部件	Lift front lever component	1
9	115312010	抬压脚拉杆	Knee lifter pull rod	1
10	H05003	开口挡圈 5	Snap ring 5	2
11	10112010	压脚升降板	Lifting plate	1
12	11329020	开口挡圈 5	Snap ring 5	5
13	101S20004	抬压脚拉杆螺钉SM3/16"x32	Hinge Screw SM3/16"x32	1

#### 4. 压料、自动抬压脚部件/Presser Bar & Auto Lifter Components (2)

序号 NO	公司件号 Part NO	名称 PartName	零件描述 Description	数量 Number
14	115312002	松线导管上支架	Wire release bracket upper	1
15	101S11004	油管压板螺钉SM3/16"x28 L=7	Screw SM3/16"x28 L=7	1
16	11212008	松线导管压板	Wire release press plate	1
17	113S11004	松线导管压板螺钉M4 L=8	Screw M4 L=8	1
18	11427009	松线顶板复位簧	Reset spring	1
19	11531201000	抬压脚前杠杆组件	Knee lifter lever asm	1
20	11531300100	松线顶板组件	Wire release plate asm	1
21	101S20002	松线顶板螺纹销	Wire release plate pin	1
22	10128015	螺纹销橡胶垫圈(厚)	Washer	1
23	10126003	松线辅钉	Thread release supporting pin	1
24	H05012	开口挡圈 4	Snap ring 4	1
25	10128001	松线辅钉垫片	washer	1
26	10127003	松线辅钉弹簧	Spring	1
27	113S12001	螺母SM3/16"x32	Nut SM3/16"x32	2
28	11381101800	调压螺钉组件	Presser regulating screw nut asm	1
29	1138NS30003	调压螺钉(厚料)	Press regulating screw (H)	1
30	1138NS16005	调压螺母(厚料)	Press regulating nut (H)	1
31	10102003	调压导杆	Press regulating guide bar	1
32	113827010	调压簧	Press regulating spring	1
	10127024	调压簧(厚料)	Press regulating spring (H)	1
33	13809030	压杆导架	Presser bar guide bracket	1
34	101S15007	压杆导架螺钉 SM1/4"x40 L=8	Screw SM1/4"x40 L=8	1
35	10122112	压杆防油套	Pressure bar oil cover	1
36	10103012	压杆衬套	Presser bar bushing,lower	1
37	113802009	压杆	Presser bar	1
38	101S11009	活压脚螺钉 SM9/64"x40 L=10.5	Screw SM9/64"x40 L=10.5	1
39	1131600600	压脚组件	Presser foot asm	1
	1131600300	压脚组件(厚料)	Presser foot asm (H)	1

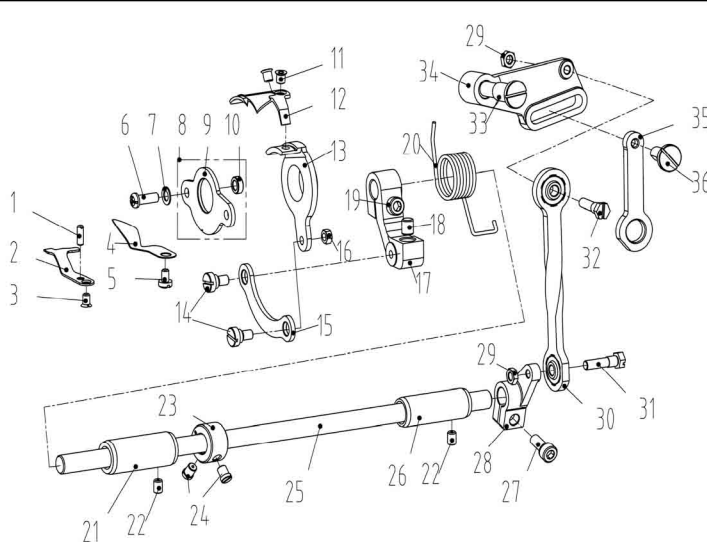
5



#### 5. 送料部件/Feed Mechanism Components

序号 NO	公司件号 Part NO	名称 PartName	零件描述 Description	数量 Number
1	115033004	步进电机(琦星)	Stepper motor (-Q)	1
	115033002	步进电机(+)	Stepper motor(Power Max)(+)	1
	115233001	步进电机(众邦)	Stepper motor (Z)	1
	115000113	步进电机(鲍麦)	Stepper motor (Power Max)	1
2	1150NS13002	螺钉SM3/16"x28 L=10	Screw SM3/16"x28 L=10	4
3	114922002	步进电机轴套油封Φ10×Φ16×5	Stepper motor bushing oil seal	1
4	114903001	步进电机轴套	Stepper motor bushing	1
5	114926001	针距曲柄销	Needle gage crank pin	2
6	114905001	针距连杆	Needle pitch rod	1
7	114904001	针距曲柄	Needle gage crank	1
8	S10009	螺钉M6 L=8	Screw M6 L=8	4
9	10126010	送料摆动板座右销	Right pin	1
10	114901001	送料摆动板座	Feed shaking plate	1
	114901004	送料摆动板座(-7)	Feed shaking plate(-7)	1
11	10126007	短摆动板连杆销	Connecting pin	2
12	10109005	送料短摆动板	Feed short shaking plate	2
	13809007	送料短摆动板(厚料)	Feed short shaking plate (H)	2
	11412022	送料短摆动板(-7)	Feed short shaking plate (-7)	2
13	10109004	送料长摆动板	Feed long shaking plate	2
	13809008	送料长摆动板(厚料、-7)	Feed long shaking plate(-H, -7)	2
14	10126009	送料摆动板座左销	Left pin	1
15	101S15001	螺钉SM15/64"x28 L=10.5	Screw SM15/64"x28 L=10.5	1
16	101S11005	螺钉SM9/64"x40 L=6	Screw SM9/64"x40 L=6	2
17	101S14001	螺钉SM1/4"x40 L=6	Screw SM1/4"x40 L=6	1
18	113S14010	螺钉SM15/64"x28 L=12	Screw SM15/64"x28 L=12	1
19	10126011	送料曲柄销	Feed rocker crank pin	1
	10104002	送料曲柄	Feed rocker shaft crank	1
20	11304010	送料曲柄(-7)	Feed rocker shaft crank (-7)	1
21	101S11005	螺钉SM9/64"x40 L=6	Screw SM9/64"x40 L=6	1
22	101S11016	螺钉SM3/16"x28 L=14	Screw SM3/16"x28 L=14	1
23	101S20005	拾牙连杆轴位螺钉SM9/32"x28	hinge Screw SM9/32"x28	1
24	101S11016	螺钉SM3/16"x28 L=14	Screw SM3/16"x28 L=14	1
25	400093	拾牙连杆	Connecting rod	1
26	400091	送料连杆	Rocker shaft connecting rod	1
	13805002	送料连杆(厚料)	Rocker shaft connecting rod (H)	1
	400083	送料连杆(-7)	Rocker shaft connecting rod (-7)	1
27	10126006	送料连杆销	Connecting rod pin	1
28	101S11005	螺钉SM9/64"x40 L=6	Screw SM9/64"x40 L=6	1
29	101S16003	拾牙连杆轴位螺母 SM9/32"x28	Hinge Screw SM9/32"x28	1
30	10104004	拾牙后曲柄	Feed driving shaft crank	1
31	13802001	拾牙轴	Feed driving shaft	1
32	10108003	送料轴挡圈	Feed rocker shaft snap ring	1
33	101S15002	螺钉SM1/4"x40 L=6	Screw SM1/4"x40 L=6	2
34	10403015	轴套	Bushing	1
35	H03001	GB/T894.1-1986挡圈 15	Snap ring 15	1
36	10104003	拾牙叉形曲柄	Snap ring 15	1
	10804003	拾牙叉形曲柄(厚料、-7)	Driving shaft crank (H, -7)	1
37	1138NS30004	螺钉SM11/64"x40 L=10.5	Screw SM11/64"x40 L=10.5	1
38	11380700300	牙架	Feed bar asm	1
39	101S11016	螺钉SM3/16"x28 L=14	Screw SM3/16"x28 L=14	1
40	10128003	牙架座螺钉垫圈	Washer	1
41	480095	牙架座	Feed bar bed	1
42	10401007	牙架销(自制)	Feed bar pin	1
43	101S11025	螺钉SM11/64"x40 L=7	Screw SM11/64"x40 L=7	1
44	13814005	送料牙	Feed dog	1
	11314001	送料牙(厚料)	Feed dog (H)	1
	11414001	送料牙(-7)	Feed dog (-7)	1
45	101S11018	螺钉 SM1/8"x44 L=6	Screw SM1/8"x44 L=6	2
46	10102008	送料轴	Feed rocker shaft	1
47	H03001	GB/T894.1-1986挡圈 15	Snap ring 15	1
48	10403015	轴套	Bushing	1
49	10108003	送料轴挡圈	Feed rocker shaft snap ring	1
50	101S15002	螺钉SM1/4"x40 L=6	Screw SM1/4"x40 L=6	2

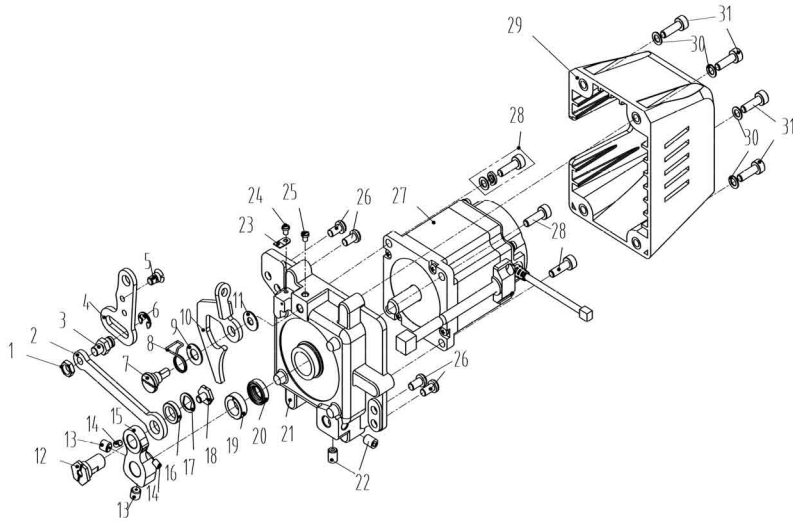
## 6



## 6. 剪线部件/Thread Trimmer Components

序号 NO	公司件号 Part NO	名称 PartName	零件描述 Description	数量 Number
1	113S15002	定刀调节螺钉SM11/8"x44 L=9.5	Screw SM11/8"x44 L=9.5	1
2	115019001	定刀	Secant knife	1
3	113819001	定刀(-HL)	Secant knife (-HL)	1
4	113817001	螺钉SM9/64"x40	Screw SM9/64"x40	1
5	11312003	护针片	Needle guard patch	1
6	113812008	护针片(-HL)	Needle guard patch (-HL)	1
7	201S11009	螺钉SM9/64"x40 L=5.5	Screw SM9/64"x40 L=5.5	1
8	113S11001	螺钉SM11/64"x40 L=12	Screw SM11/64"x40 L=12	2
9	10128003	牙架座螺钉垫圈	Washer	2
10	1381203100	刀架压板组件	Knife bracket press component	1
11	13812031	刀架压板	Knife bracket press	1
12	13803012	短套	Short bushing	2
13	113S17002	活动刀固定螺钉SM11/64"x40 L=4.4	Screw SM11/64"x40 L=4.4	2
14	11319002	活动刀(薄料)	Motorial knife	1
15	11319003	活动刀(厚料)	Motorial knife (H)	1
16	113819003	活动刀(-HL)	Motorial knife (-HL)	1
17	11307001	剪线刀架	Knife bracket	1
18	113801001	剪线刀架(-HL)	Knife bracket (-HL)	1
19	113S20001	连杆螺钉SM11/64"x40	hinge Screw SM11/64"x40	2
20	11312005	剪线连杆	Connecting rod	1
21	114S16004	螺母SM11/64"x40	Nut SM11/64"x40	1
22	11304001	剪线驱动曲柄	Crank	1
23	113822014	驱动曲柄止动块	Crank driver stopper block	1
24	S05004	螺钉M5 L=14	Screw M5 L=14	1
25	11327001	剪线复位弹簧	Spring	1
26	115303003	剪线轴前轴套	Front sleeve of thread cutting shaft	1
27	113S14020	螺钉SM11/64"x40 L=6	Screw SM11/64"x40 L=6	2
28	115308002	剪线轴挡圈	Thread trimmer retaining ring	1
29	101S11012	螺钉SM11/64"x40 L=4.8	Screw SM11/64"x40 L=4.8	2
30	115302001	剪线轴	Thread trimmer	1
31	115303002	剪线后轴套	After trimming the shaft sleeve	1
32	S05005	螺钉M5 L=12	Screw M5 L=12	1
33	115304003	剪线后曲柄	Crank after trimming	1
34	409S16020	六角螺母	Hex nuts	2
35	11530500200	万向连杆组件	Universal connecting rod combination	1
36	1150NS20003	万向连杆轴位螺钉(上)	Universal connecting rod shaft screw (U)	2
37	114S16004	弹簧悬置螺钉锁紧螺母	Spring suspension screw lock nut	1
38	115326004	剪线杆杆销	Axial screw	1
39	115304004	剪线杆杆	Thread trimming lever	1
40	115312006	剪线拉杆	Tie rod for trimming	1
41	1150NS20005	剪线拉杆轴位螺钉	Axial screw	1

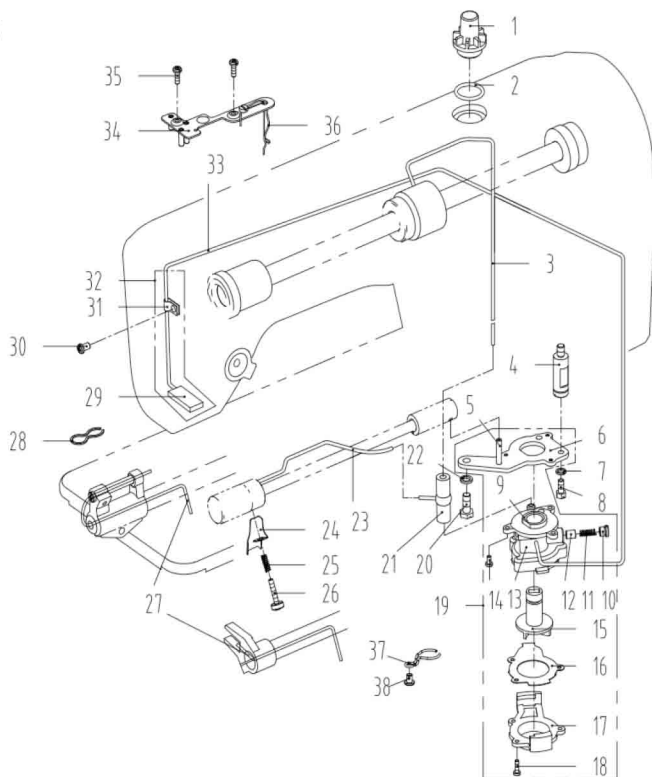
## 7



## 7. 步进抬压脚部件/Stepping Lifter Components

序号 NO	公司件号 Part NO	名称 PartName	零件描述 Description	数量 Number
1	409S16020	六角螺母	Hex nuts	1
2	115305004	抬压脚连杆	Presser foot lifter	1
3	115326005	抬压脚连杆轴位销	Axis pin for presser foot lifting link	1
4	115312005	抬压脚后杆	Lever after lifting the presser foot	1
5	101S20003	后杆轴位螺钉SM15/64"x28	Rear lever shaft screw SM15/64"x28	1
6	11329020	开口挡圈5	Snap ring5	1
7	115326001	松线杆杆销	Loose lever pin	1
8	115327001	松线杆杆复位扭簧	Release lever reset torsion spring	1
9	115328002	剪线杆杆销垫片	Thread trimmer lever pin gasket	2
10	115312001	松线杆杆	Loose lever	1
11	115328001	松线杆杆销垫片	Spacers for loose thread lever pins	1
12	115326002	曲柄销	Crank pin	1
13	101S14001	螺钉SM1/4"x40 L=6	Screw SM1/4"x40 L=6	2
14	402S11024	螺钉SM9/64"x40 L=5.5	Screw SM9/64"x40 L=5.5	2
15	115304001	步进压脚曲柄	Stepper Crank	1
16	115308001	松线滚轮	Loose thread roller	1
17	115328003	防松垫片	Anti-loose gasket	1
18	1150NS12001	螺钉SM3/16"x28 L=6	Screw SM3/16"x28 L=6	1
19	115303001	压脚电机轴套	Presser foot motor shaft sleeve	1
20	114922002	步进电机轴套油封	Stepper motor shaft sleeve oil seal	1
21	115301003	步进电机座	Stepper motor seat	1
22	S10009	螺钉M6 L=8	Screw M6 L=8	2
23	115327003	松线杆杆缓冲片	Release lever buffer sheet	1
24	S01012	螺钉M2.5 L=4	Screw M2.5 L=4	1
25	101S11025	螺钉SM11/64"x40 L=7	Screw SM11/64"x40 L=7	1
26	101S11001	螺钉SM3/16"x28 L=9	Screw SM3/16"x28 L=9	1
27	115333003	抬压脚步进电机	Motor for lifting presser foot	4
28	1150NS13002	螺钉SM3/16"x28 L=10	Screw SM3/16"x28 L=10	4
29	115311001	电机护罩	Motor shield	1
30	10128003	牙架座螺钉垫圈	Washers for bracket screws	4
31	207S13008	螺钉M4 L=8	Screw M4 L=8	4

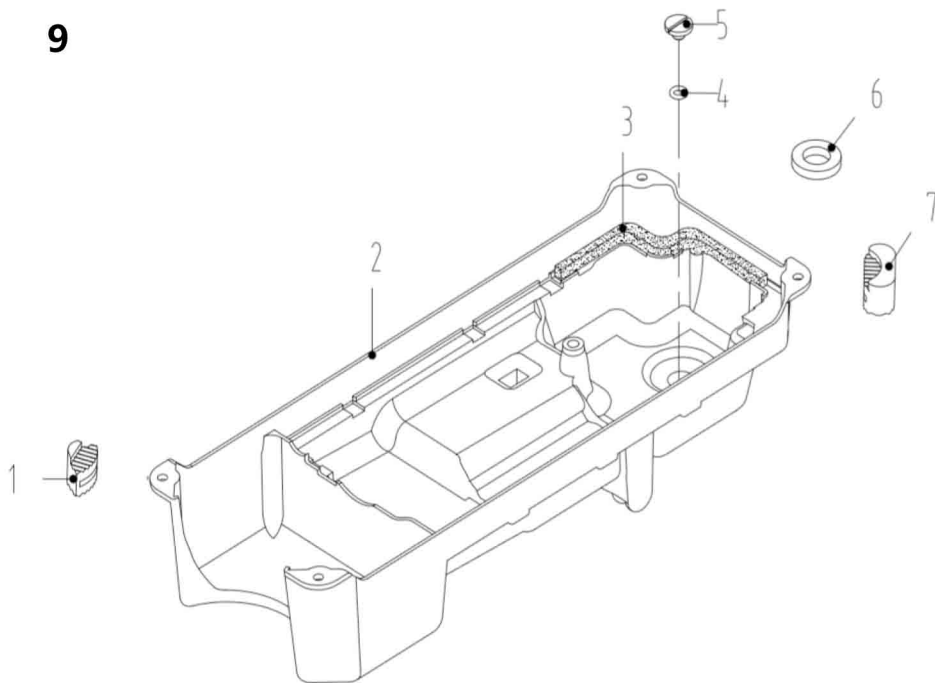
# 8



## 8. 润滑部件/Oil Lubrication Components

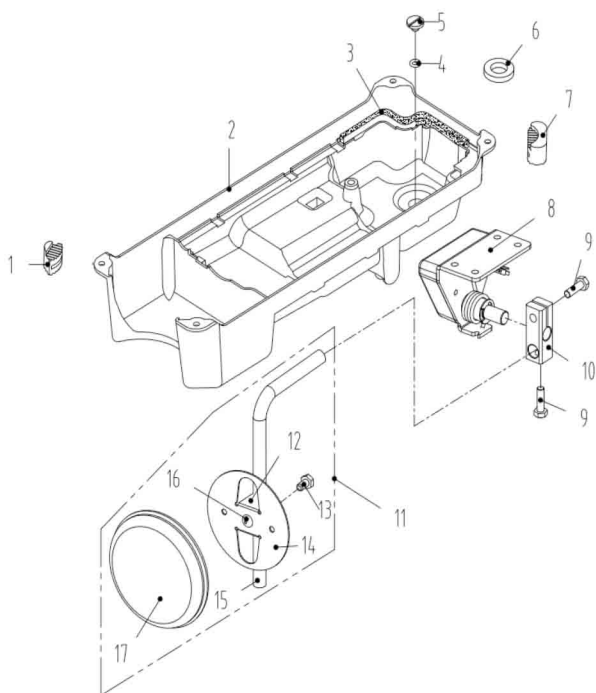
序号 NO	公司件号 Part NO	名称 PartName	零件描述 Description	数量 Number
1	11211004	油窗	Oil sight window	1
2	10122019	油窗O形圈	Rubber ring	1
3	115321001	上轴供油管	Main shaft oil tube	1
4	101S30008	油泵连接螺柱	Oil pump connecting stud	1
5	10121001	供油管	Hook oil tube	1
6	10112020	油泵安装板	Oil pump installing base	1
7	W03002	弹簧垫圈 5	Spring washer 5	1
8	209S12001	螺钉SM11/64*×40 L=10.5	Screw SM11/64*×40 L=10.5	1
9	10103022	油泵体衬套	Oil pump bushing	1
10	101S30007	柱塞螺钉	Plunger Screw	1
11	10127013	柱塞簧	Plunger spring	1
12	10122018	回油柱塞	Plunger	1
13	10120001	油泵体	Oil pump	1
14	S04093	油泵螺钉M3 L=6	Screw M3 L=6	3
15	10111003	油泵叶轮	Oil pump impeller	1
16	10112021	油泵叶轮托板	Oil pump impeller cover	1
17	10111007	油泵盖	Lubricating oil pump cover	1
18	101S30006	螺钉ST2.9 L=10	Screw ST2.9 L=10	3
19	1012000100	油泵分部件	Lubricating oil pump component	1
20	116S30003	螺钉SM15/64*×28 L=14.5	Screw SM15/64*×28 L=14.5	1
21	10136001	供油管接头	Rubber joint	1
22	W02004	GB/T93-1987弹垫M6	Spring Washer M6	1
23	13821015	旋梭供油管	Hook driving shaft oil tube	1
	113821001	旋梭供油管(-HL)	Hook driving shaft oil tube (-HL)	1
24	11312031	挡油罩	Oil shield cover	1
25	13827014	油量调节螺钉弹簧	Spring	1
26	113S30001	螺钉SM11/64*×40 L=19	Screw SM11/64×40 L=19	1
27	10423005	油线	Oil wick	1
28	10127015	回油毡夹	Oil felt clamp	1
29	10123006	回油毡	Oil felt felt	1
30	101S11004	螺钉SM3/16*×28 L=7	Screw SM3/16*×28 L=7	1
31	10112023	回油管夹	Oil tube clamp	1
32	11502100100	回油管部件	Oil return tube component	1
33	115021002	回油管	Oil return tube	1
34	10112025	油线固定板	Oil wick fixing plate	1
35	101S11010	螺钉SM9/64*×40 L=11	Screw SM9/64*×40 L=11	2
36	10123010	油线	Oil wick	1
37	115312013	回油管夹	Oil tube clamp	1
38	101S11007	螺钉SM11/64*×40 L=6	Screw SM11/64*×40 L=6	1

# 9



## 9. 油盘、膝抬压脚分组件/Oil Reservoir & Knee Lifter Components

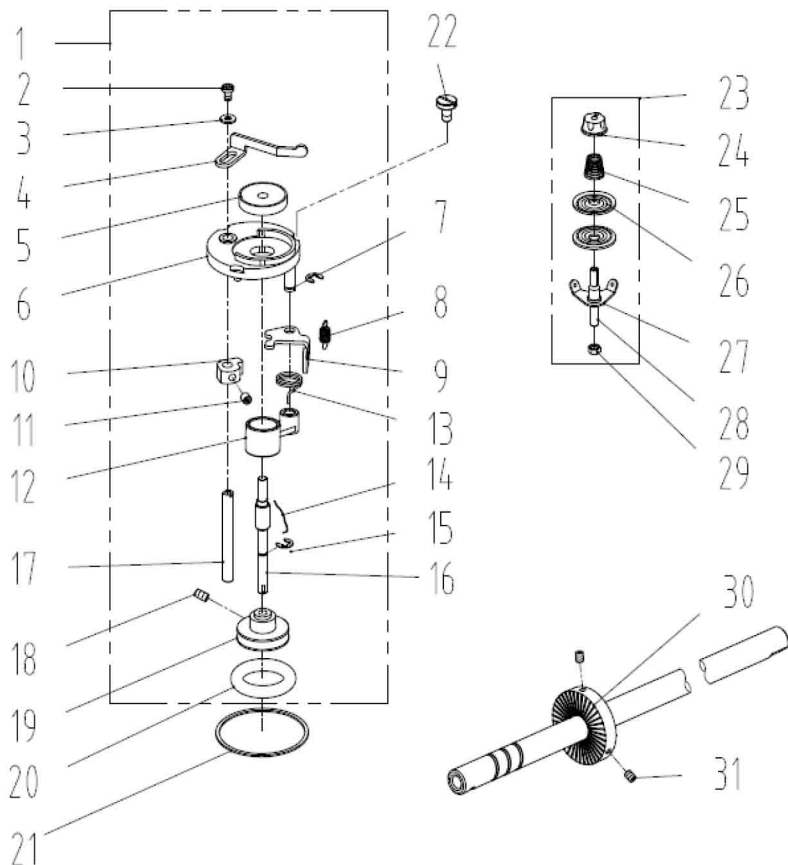
序号 NO	公司件号 Part NO	名称 PartName	零件描述 Description	数量 Number
1	10122022	油盘座垫	Oil reservoir rubber cushion	2
2	115301010	油盘	Oil Reservoir	1
3	10122020	油盘垫	Oil Reservoir gasket	1
4	10122021	O型圈	Rubber ring	1
5	101S11028	螺钉SM5/16*×24 L=7	Screw SM5/16*×24 L=7	1
6	10131001	油盘磁铁	Oil reservoir magnet	1
7	10122023	油盘支架	Oil reservoir rubber cushion	2



### 9. 油盘、膝抬压脚分组件 (-EK) /Oil Ceservoir & Knee Lifter Components (-EK)

序号 NO	公司件号 Part NO	名称 PartName	零件描述 Description	数量 Number
1	10122022	油盘座垫	Oil reservoir rubber cushion	2
2	115301010	油盘	Oil Reservoir	1
3	10122020	油盘垫	Oil Reservoir gasket	1
4	10122021	O型圈	Rubber ring	1
5	101511028	螺钉SM5/16"×24 L=7	Screw SM5/16"×24 L=7	1
6	10131001	油盘磁铁	Oil reservoir magnet	1
7	10122023	油盘支架	Oil reservoir rubber cushion	2
8	11533000200	电子膝靠组件	Electronic knee lifter asm	1
9	101512003	螺钉M8 L=16	Screw M 8 L=16	2
10	10101008	抬压脚操纵杆节头	Bearing bracket	1
11	1011202800	操纵杆组件	Knee press plate asm	1
12	101512004	螺钉M6 L=11	Screw M 6 L=11	1
13	10112030	操纵杆节头	Knee press plate holder	1
14	10112029	操纵板	Knee press plate	1
15	10112028	操纵杆	Knee lifter plate rod	1
16	10122025	操纵杆垫	Rubber	1
17	10122024	操纵板软垫	Knee press plate cover	1

### 10

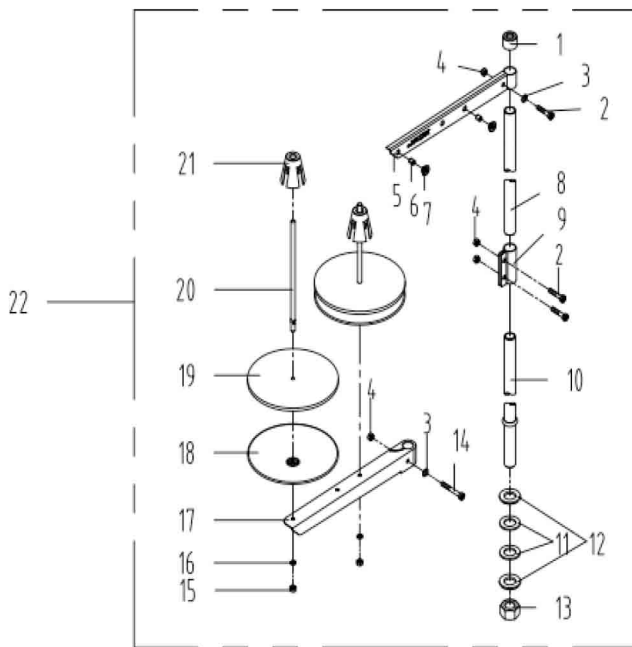


### 10. 绕线部件/Winding Components

序号 NO	公司件号 Part NO	名称 PartName	零件描述 Description	数量 Number
1	1383103900	绕线器组件	Bobbin winder asm	1
2	114511008	螺钉M4 L=6	Screw M4 L=6	1
3	W01142	垫圈4	Washer 4	1
4	10113030	压线控制板	Thread press control plate	1
5	10111120	绕线衬垫	Winding pad	1
6	13831101	绕线器装置主座	Bobbin winder bed	1
7	H05006	开口挡圈5	Snap ring 5	1
8	10127061	复位板拉簧	Spring	1
9	13812110	调节板	Regulating plate	1
10	10110030	绕线凸轮	Bobbin winder cam	1
11	S09045	螺钉M5 L=5	Screw M5 L=5	1
12	1380510600	绕线器连杆组件	Bobbin winder connecting rod	1
13	13827103	满线复位簧	spring	1
14	10127060	弹簧	Spring	1
15	GB/T 896-1986	开口挡圈4	Snap ring 4	1
16	13802111	绕线器主轴	Bobbin winder main shaft	1
17	13802026	绕线凸轮轴	Bobbin winder cam shaft	1
18	S09103	螺钉M4 L=4	Screw M4 L=4	2
19	13831102	绕线轮	Bobbin winder wheel	1
20	O01110	O型圈	Ring	1
21	11422062	密封垫	Washer	1
22	114511003	螺钉SM3/16"×28 L=10	Screw SM3/16"×28 L=10	3
23	1411300600	底线夹线器	Bobbin thread tension asm	1
24	141516019	夹线螺母	Thread tension nut	1
25	11427006	小夹线弹簧	Spring	1
26	14112015	夹线板	Thread tension disk	2
27	11413022	夹线过线板	Thread tension guide plate	1
28	112513004	夹线螺钉	Screw	1
29	114516001	螺母SM11/64"×40	Nut SM11/64"×40	1
30	11435013	绕线器驱动轮	Driving wheel	1
31	S10009	螺钉M6 L=8	Screw M6 L=8	2



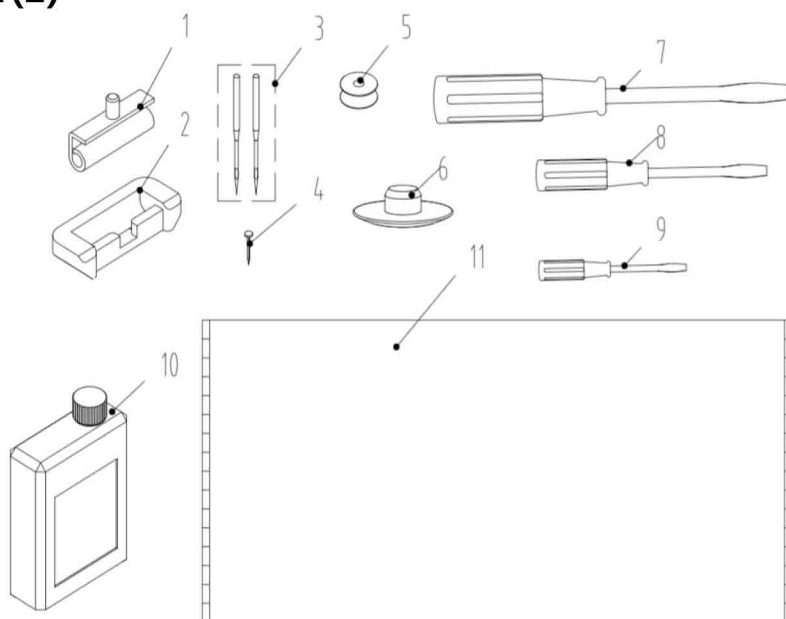
# 11(1)



## 11. 机头附件(1)-线架组件/Machine Head Accessories (1)-Thread Stand Components

序号 NO	公司件号 Part NO	名称 PartName	零件描述 Description	数量 Number
1	20131019	线架杆顶防护橡皮	Spool rest rod rubber cap	1
2	S04050	螺栓M5 L=16	Screw M5 L=16	3
3	W01047	垫圈M5	Washer M5	2
4	N01034	螺母M5	Nut M5	4
5	13831022	上线架过线杆	Spool rest arm upper	1
6	10113011	过线圈(内)	Thread guide ring	2
7	10113010	过线圈(外)	Thread guide ring	2
8	13831019	线架杆上节	Spool rest rod upper	1
9	13831021	线架杆接头	Spool rest rod joint	1
10	13831020	线架杆下节	Spool rest rod lower	1
11	10122106	橡胶垫圈	Spool rest rod rubber ring	2
12	W01052	垫圈M16	Washer M16	2
13	N02008	螺母 M16	Spool rest rod nut M16	1
14	S04051	螺栓M5 L=31.6	Spool rest arm lower screw M5 L=31.6	1
15	N01034	螺母M5	Nut M5	2
16	W03002	弹簧垫圈 5	Spring washer 5	2
17	13831023	下线架过线杆	Spool rest arm lower	1
18	13831024	线盘	Spool rest	2
19	20131010	线盘垫	Spool rest cushion	2
20	20131006	线盘钉	Spool pin	2
21	13831025	线团防松垫	Spool retainer	2
22	1383100300	线架组件	Thread stand asm	1

# 11(2)



## 11. 机头附件(2)/Machine Head Accessories (2)

序号 NO	公司件号 Part NO	名称 PartName	零件描述 Description	数量 Number
1	1011203100	机头连接钩组件	Hinge component	2
2	10122060	机头连接钩座	Head connecting rubber cushion	2
3	10117001	机针DB×1 #14	Needle DB×1 #14	4
	10117002	机针DP×5 #21(厚料)	Needle DP×5 #21 (H)	4
4	101530010	机头连接钩座钉P19	Nail P19	6
5	10118003	梭心	Bobbin	2
	10818501	大梭心(-L)	Big Bobbin (-L)	2
	13818002	梭芯(-P)	Big Bobbin (-P)	10
6	115322003	机头支撑垫	Head support pad	1
7	20731047	螺丝刀(大)	Screw driver (large)	1
8	10131003	螺丝刀(中)	Screw driver (medium)	1
9	10131004	螺丝刀(小)	Screw driver (small)	1
10	1381101200	油箱组件	Oiler component	1
11	114131001	防尘罩	Dust cover	1

## 杰克缝纫机股份有限公司

杰克缝纫机  
全球销量遥遥领先

公司地址(Address of Company):

中国浙江省台州市椒江区三甲东海大道东段1008号

NO.1008, DONGHAI AVENUE EAST, JIAOJIANG DISTRICT,TAIZHOU CITY, ZHEJIANG

邮编( Zip Code ): 318000

国内销售部(Domestic Trade Department):

电话(TEL): 0086-0576-88177788 88177789

传真(FAX): 0086-0576-88177758

国贸销售部(International Trade Department):

电话(TEL): 0086-0576-88177782 88177774

传真(FAX): 0086-0576-88177787

服务热线: 400-8876858

http://www.chinajack.com

资料如有更改, 恕不另行通知, 以实物为准。

You will be not informed if the file has been revised.Please set sample as standard.

日期: 2021.03.20



请您扫下杰克服务号