

MODEL : DNU-1541/DNU-1541H/DNU-1541S

List No : 1401-06

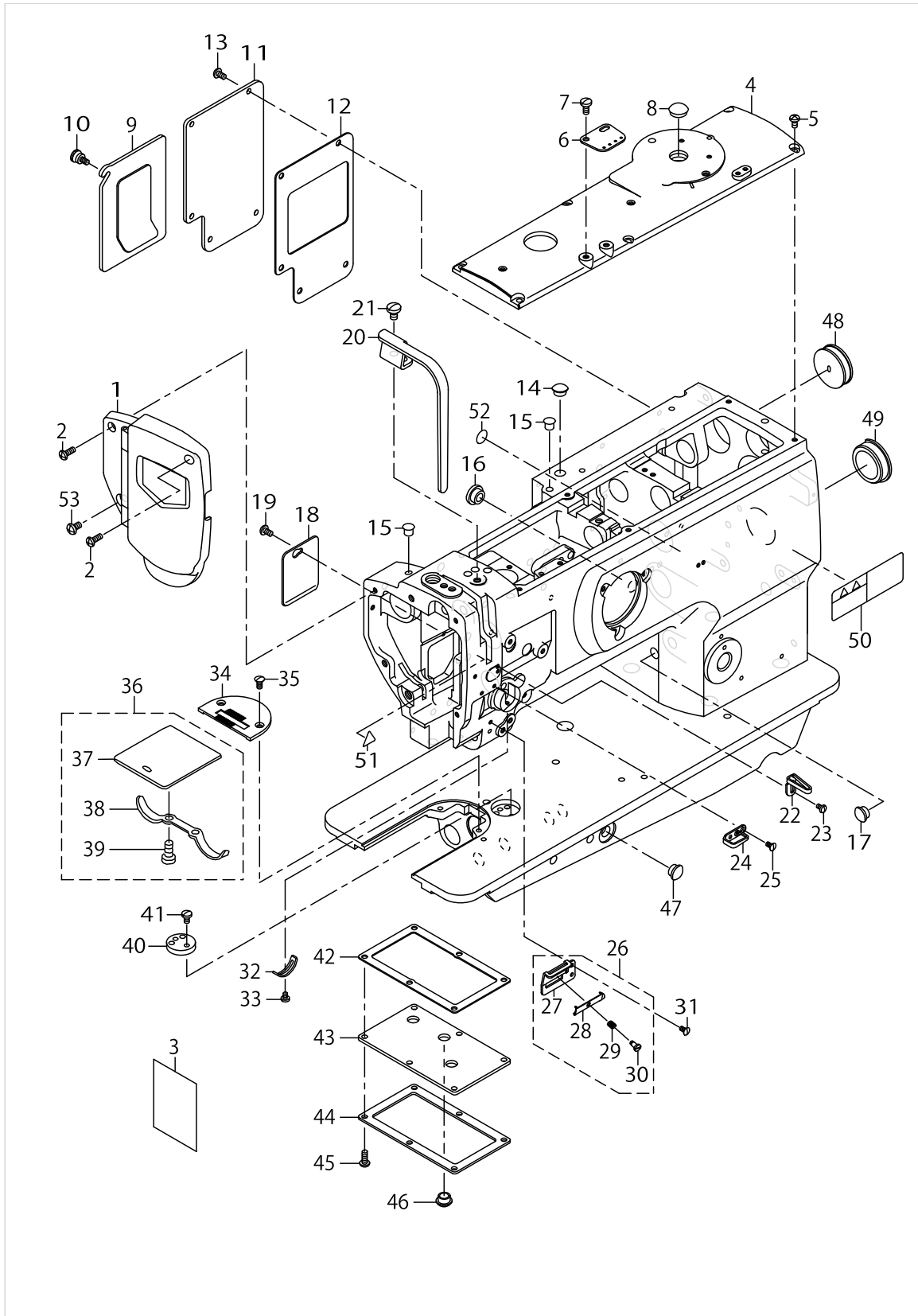
PARTS LIST

Published:12/29/2017

CONTENTS

FRAME & MISCELLANEOUS COVER COMPONENTS	1
UPPER SHAFT DRIVING & BALANCE COMPONENTS	5
NEEDLE BAR ROCKING COMPONENTS	7
PRESSURE ADJUSTING & UPPER FEED MECHANISM COMPONENTS	9
FEED MECHANISM COMPONENTS.....	13
HOOK SHAFT & LOWER SHAFT COMPONENTS	17
OPENER COMPONENTS (FOR DNU-1541S)	21
THREAD TENSION COMPONENTS	23
KNEE LIFTING COMPONENTS	25
LOWER THREAD WINDER MECHANISM COMPONENTS	27
LUBRICATION COMPONENTS	29
BELT COVER & OIL RESERVOIR COMPONENTS.....	31
THREAD STAND COMPONENTS.....	33
LIST FOR INFORMATION OF CHANGE.....	35
HOW TO MAKE USE OF THIS PARTS LIST	36

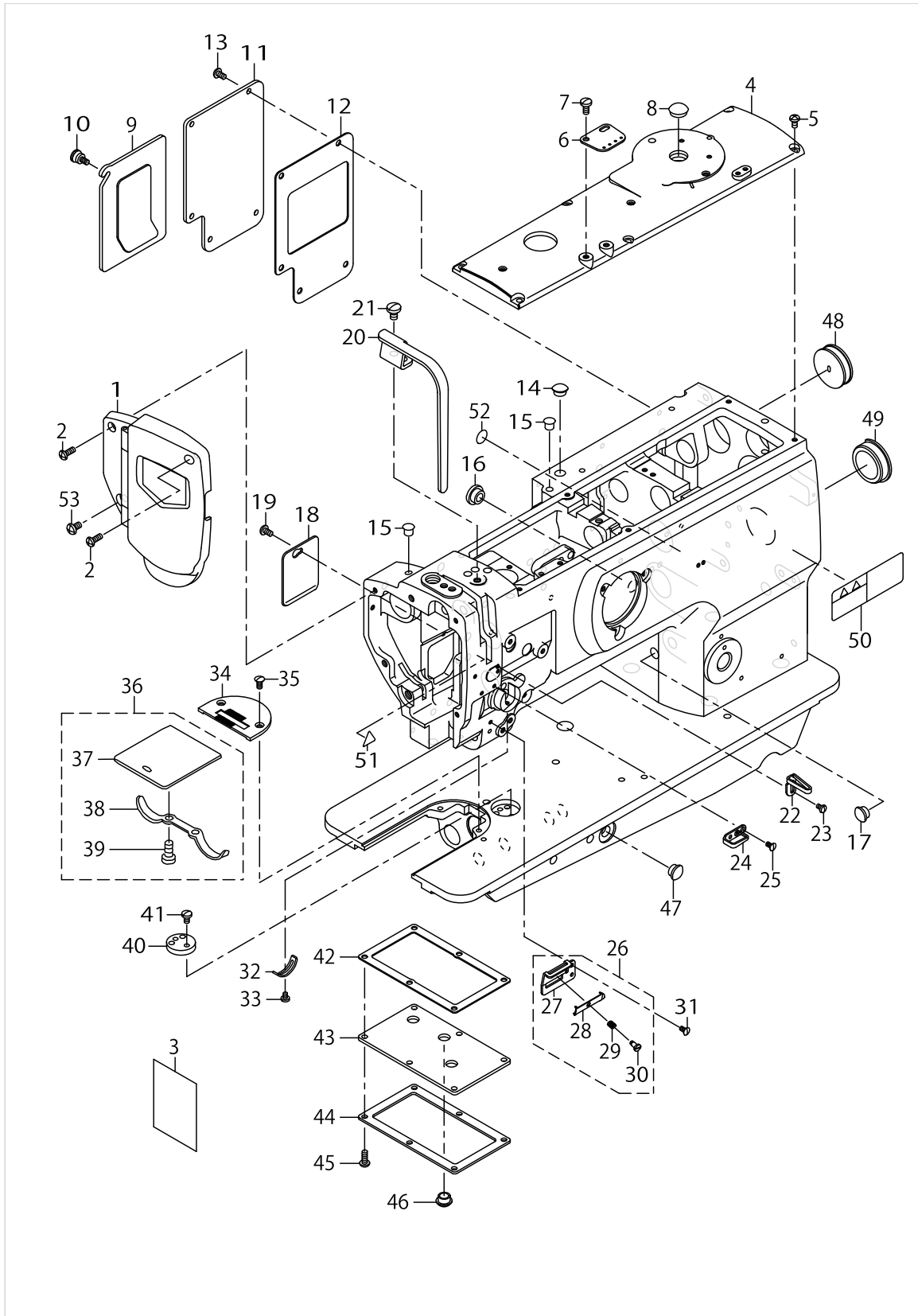
FRAME & MISCELLANEOUS COVER COMPONENTS



FRAME & MISCELLANEOUS COVER COMPONENTS

No.	Parts No.	Parts name	Remarks	Level	Cons	Qty
1	40016798	FACE PLATE ASM.				1
2	SS4111215SP	SCREW 11/64-40 L=12				2
3	40152631	LUBRICATION SUPPLEMENT				1
4	21331301	TOP COVER B				1
5	SS4110815SP	SCREW 11/64-40 L=8				6
6	21355904	ARM THREAD GUIDE				1
7	SS7621040SP	SCREW 3/16-32 L= 9.5				2
8	TA1450404R0	RUBBER PLUG D=14.5 L=4				1
9	21331756	WINDOW PLATE A ASM.				1
10	21331202	SETSCREW				1
11	21331806	WINDOW PLATE B				1
12	21332002	WINDOW PLATE PACKING B				1
13	SS4110815SP	SCREW 11/64-40 L=8				5
14	TA1250504R0	RUBBER PLUG				1
15	TA0750704R0	RUBBER PLUG				2
16	TA1250504R0	RUBBER PLUG				1
17	TA1050504R0	RUBBER PLUG				1
18	21332309	SIDE COVER				1
19	SS4110815SP	SCREW 11/64-40 L=8				1
20	21331608	BALANCE COVER				1
21	SS7150910TP	SCREW 15/64-28 L=9				1
22	40108674	THREAD GUIDE	FOR DNU-1541·DNU-1541S			1
23	SS5090610SP	SCREW 9/64-40 L=6	FOR DNU-1541·DNU-1541S			1
24	40108675	FRAME THREAD GUIDE				1
25	SS2090710TP	SCREW 9/64-40 L=7.2				2
26	21408554	THREAD GUIDE ASM.				1
27	21408505	THREAD GUIDE PLATE		*		1
28	17912106	NEEDLE THREAD PRESSER PLATE		*		1
29	B1132521000	THREAD PRESSER PLATE SPRING		*		1
30	SD0380551SL	HINGE SCREW D= 3.80 H= 5.5		*		1
31	SS2090710TP	SCREW 9/64-40 L=7.2				1
32	B3138512000	TAKE-UP SPRING ADJUSTING PLATE				1
33	SS7090520TP	SCREW 9/64-40 L= 4.5				1
34	21410006	THROAT PLATE				1
35	SS2110920TP	SCREW 11/64-40 L=8.5				2
36	B1112241HA0	BED SLIDE ASM.				1
37	B1112241H00	BED SLIDE		*		1
38	A1111007000	SLIDE PLATE SPRING		*		1
39	SS6060210SP	SCREW 3/32-56 L= 1.9		*		2
40	B1103141H00	SCALE BASE PLATE				1
41	SS7110720SP	SCREW 11/64-40 L=7				2
42	21401302	GASKET				1
43	21401401	OIL TANK COVER				1
44	21401500	OIL TANK COVER PLATE				1
45	SS4111015SP	SCREW 11/64-40 L=10				6
46	TA1050504R0	RUBBER PLUG				3
47	TA1050504R0	RUBBER PLUG				1

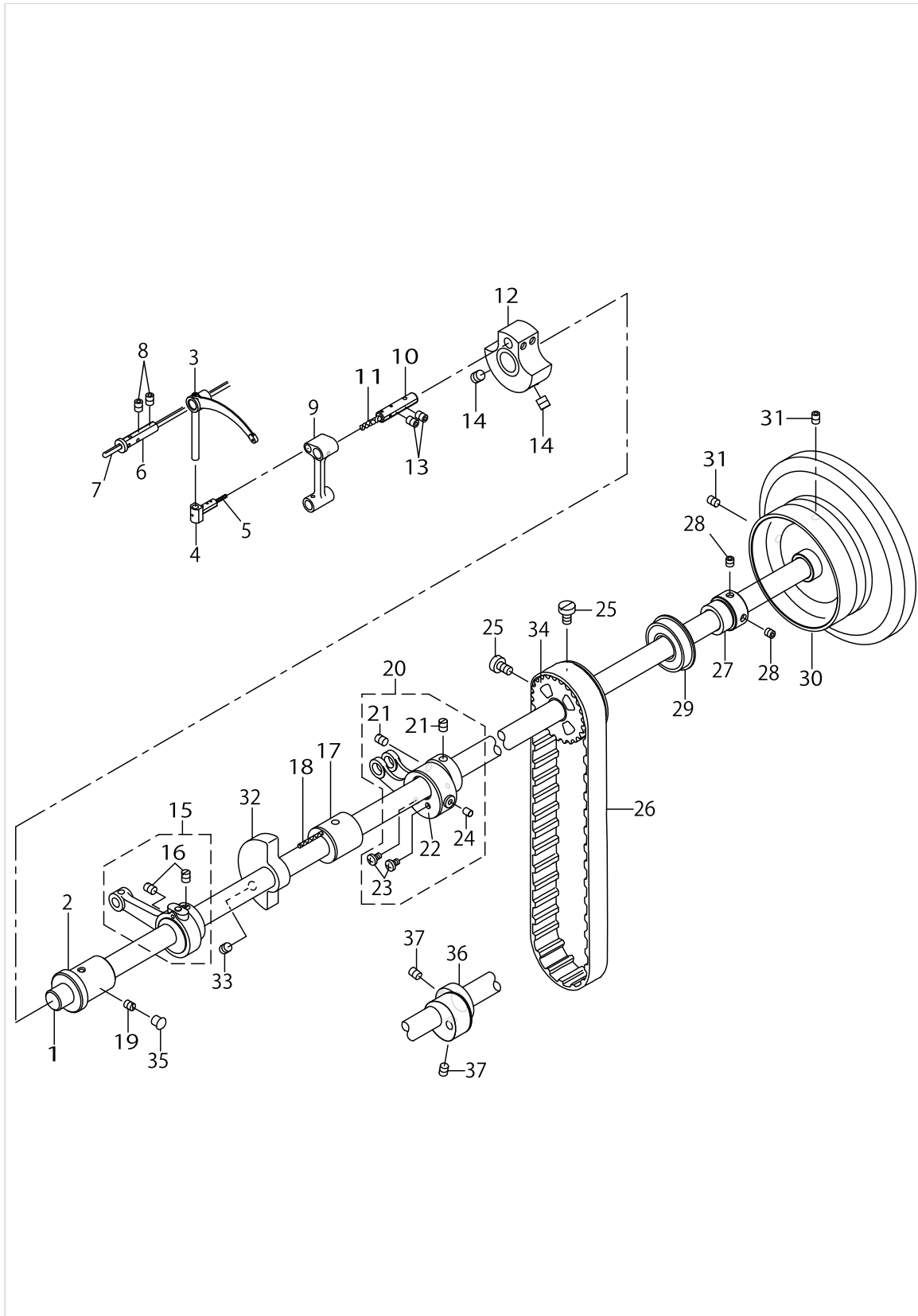
FRAME & MISCELLANEOUS COVER COMPONENTS



FRAME & MISCELLANEOUS COVER COMPONENTS

No.	Parts No.	Parts name	Remarks	Level	Cons	Qty
48	10201200	RUBBER PLUG				1
49	22619100	CAP				1
50	CM301300001	SAFETY LABEL				1
51	CM300200001	ATTENTION SEAL	EXCEPT USE IN JAPAN			1
52	22901805	GROUND MARK				1
53	SS4150915SP	SCREW 15/64-28 L=9				1

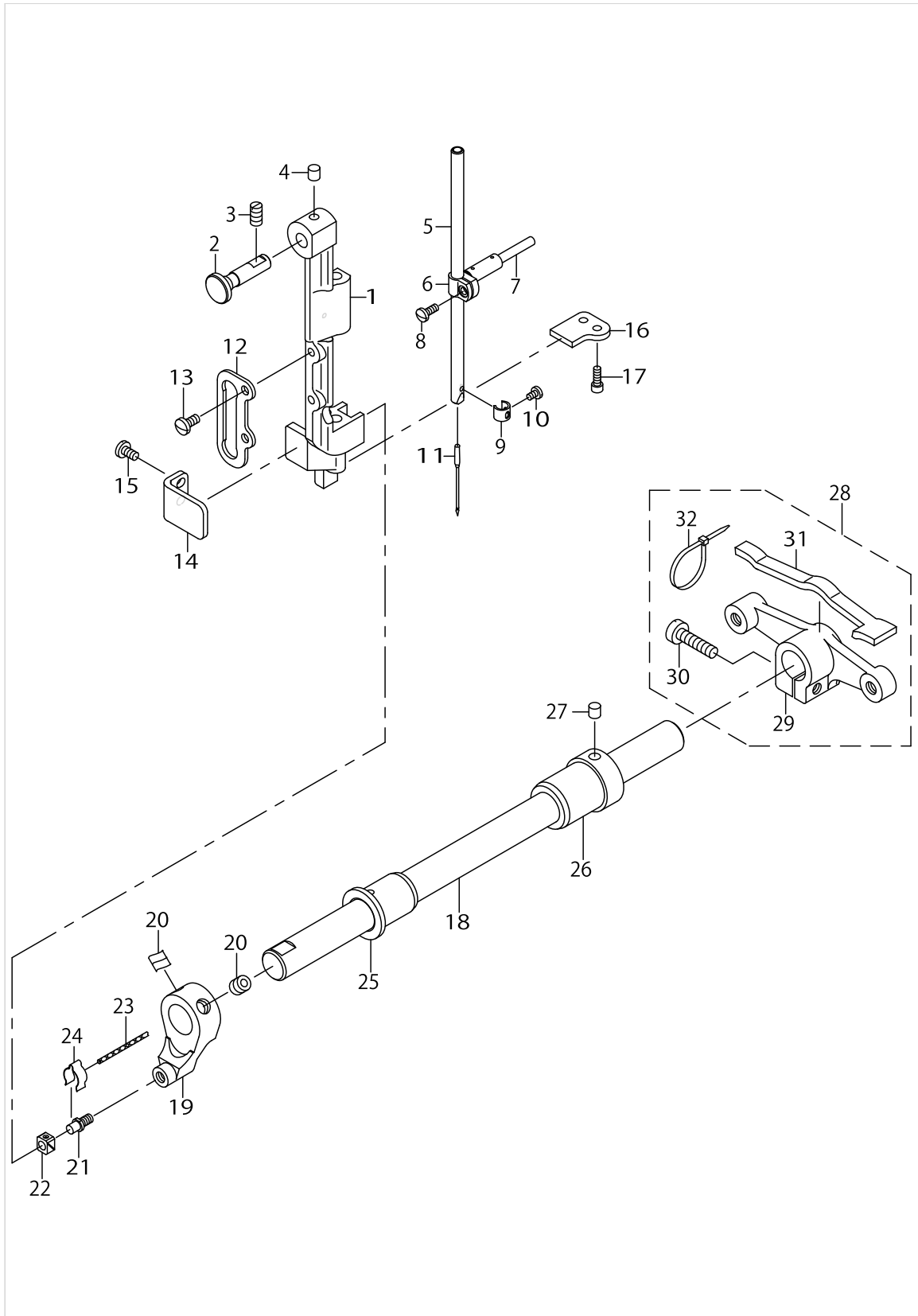
UPPER SHAFT DRIVING & BALANCE COMPONENTS



UPPER SHAFT DRIVING & BALANCE COMPONENTS

No.	Parts No.	Parts name	Remarks	Level	Cons	Qty
1	21332705	UPPER SHAFT				1
2	21333000	UPPER SHAFT FRONT METAL				1
3	21401906	THREAD TAKE-UP LEVER				1
4	22605406	TAKE-UP LEVER THRUST PIN				1
5	CQ202000000	OIL WICK				0.03
6	B1906051000	TAKE-UP LEVER PIN				1
7	CQ303000000	OIL WICK				0.45
8	SS8150822TP	SCREW 15/64-28 L=8				2
9	21339106	NEEDLE BAR CRANK ROD				1
10	B1210051000	NEEDLE BAR CRANK PIN				1
11	CQ505000000	OIL WICK				0.03
12	21332507	COUNTER WEIGHT (A) (36MM)				1
13	SS8150822TP	SCREW 15/64-28 L=8				2
14	SM8080812TP	SCREW M8X8				2
15	40197297	UPPER_FEED_CAM_ASM				1
16	SS8660810TP	SCREW 1/4-40 L=8		*		2
17	21333109	UPPER SHAFT INNER METAL		*		1
18	CQ202000000	OIL WICK		*		0.15
19	SS8150710TP	SCREW 15/64-28 L=7		*		1
20	40197296	HORIZONTAL_FEED_ROD_ASM				1
21	SS8660810TP	SCREW 1/4-40 L=8		*		2
22	21353008	HORIZONTAL FEED CAM COVER		*		1
23	SS7110710SP	SCREW 11/64-40 L=7		*		2
24	21387402	FELT		*		1
25	SS6661110SP	SCREW 1/4-40 L=11				2
26	22604300	TIMING BELT				1
27	21402300	UPPER SHAFT BEARING HOOK				1
28	SM8060602TP	SCREW M6X6				2
29	B1203512000	BUSHING, REAR				1
30	21334008	FLYWHEEL				1
31	SS8150822TP	SCREW 15/64-28 L=8				2
32	21333406	BALANCER				1
33	SS8151550SP	SCREW 15/64-28 L=15				2
34	22604904	UPPER SPROCKET				1
35	TA0750704R0	RUBBER PLUG				1
36	40019905	TRIANGULAR CAM A	FOR DNU-1541H			1
37	SS8660810TP	SCREW 1/4-40 L=8	FOR DNU-1541H			2

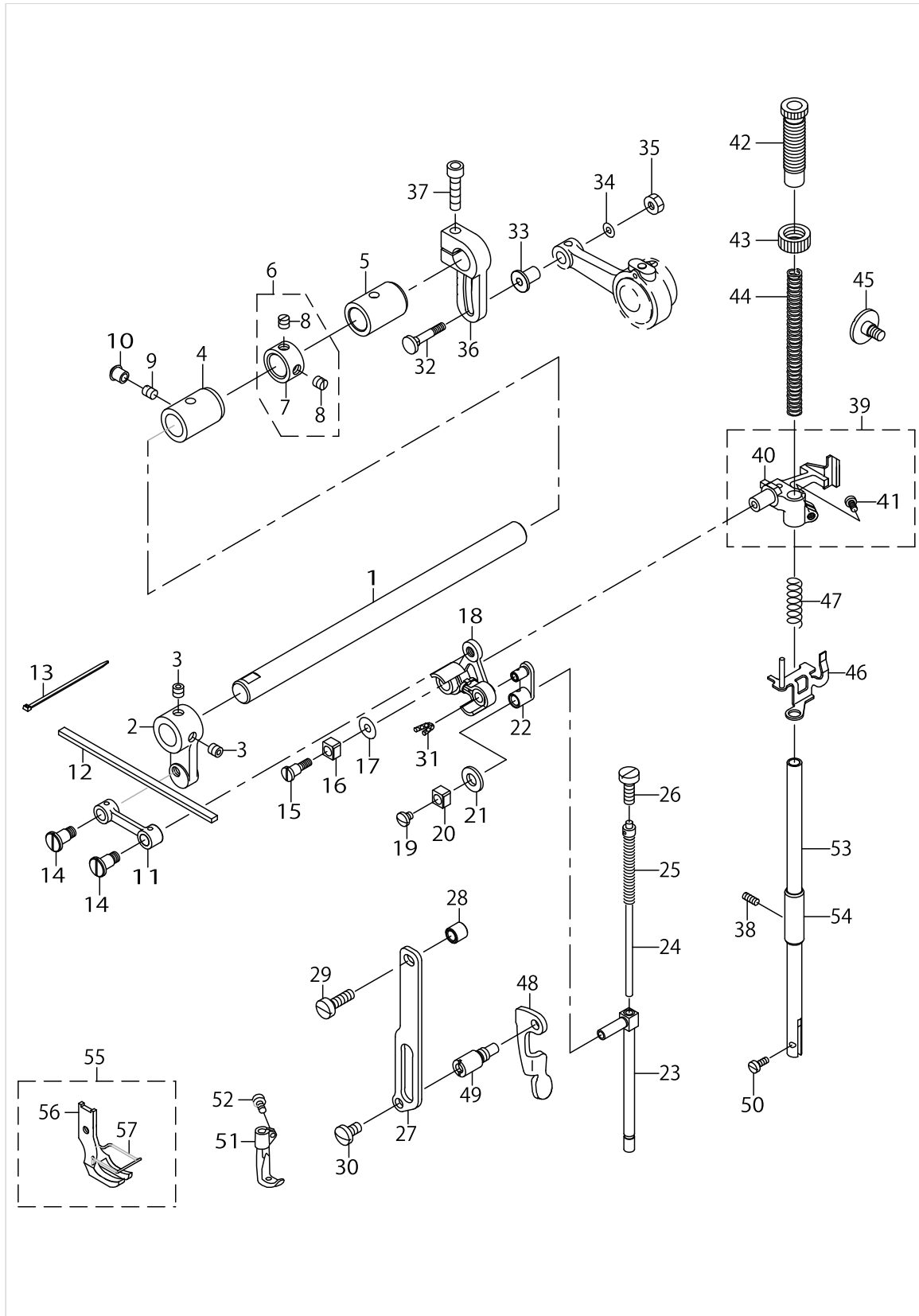
NEEDLE BAR ROCKING COMPONENTS



NEEDLE BAR ROCKING COMPONENTS

No.	Parts No.	Parts name	Remarks	Level	Cons	Qty
1	B1420563000	NEEDLE BAR FRAME				1
2	21405204	HINGE STUD				1
3	SS8151150TP	SCREW 15/64-28 L=10.5				1
4	22814909	FELT				1
5	B1401053000	NEEDLE BAR				1
6	B1411053000	NEEDLE BAR CONNECTION				1
7	B1412051000	FELT				1
8	SS7090910SP	SCREW 9/64-40 L= 8.5				1
9	10308609	THREAD GUARD				1
10	SS7080510TP	SCREW 1/8-44 L=4.5				1
11	M1351731600	NEEDLE 135X17 #160				1
12	B1467563000	UPPER FEED BAR GUIDE				1
13	SS7110910TP	SCREW 11/64-40 L= 8.5				2
14	21388400	ROCKING BASE GUIDE				1
15	SS7110830SP	SCREW 11/64-40 L= 7.5				2
16	21338603	ROCKING BASE GUIDE (B)				1
17	SS6091022TP	SCREW				2
18	21338900	ROCKING SHAFT				1
19	21338801	ROCKING FRONT ARM				1
20	SM8080802TP	SCREW				2
21	B1410771000	STUD				1
22	B1414232000	SQUARE BLOCK				1
23	CQ202000000	OIL WICK				0.05
24	B1437051000	OIL WICK RETAINER				1
25	21339304	ROCKING SHAFT FRONT METAL				1
26	40027746	BUSHING REAR				1
27	22814909	FELT				1
28	21339056	ROCKING REAR ARM ASM.				1
29	21339007	ROCKING REAR ARM		*		1
30	SS6152440SP	SCREW 15/64-28 L=23.5		*		1
31	21347406	ROCKING REAR ARM FELT		*		1
32	EA9500B0100	CABLE BAND		*		2

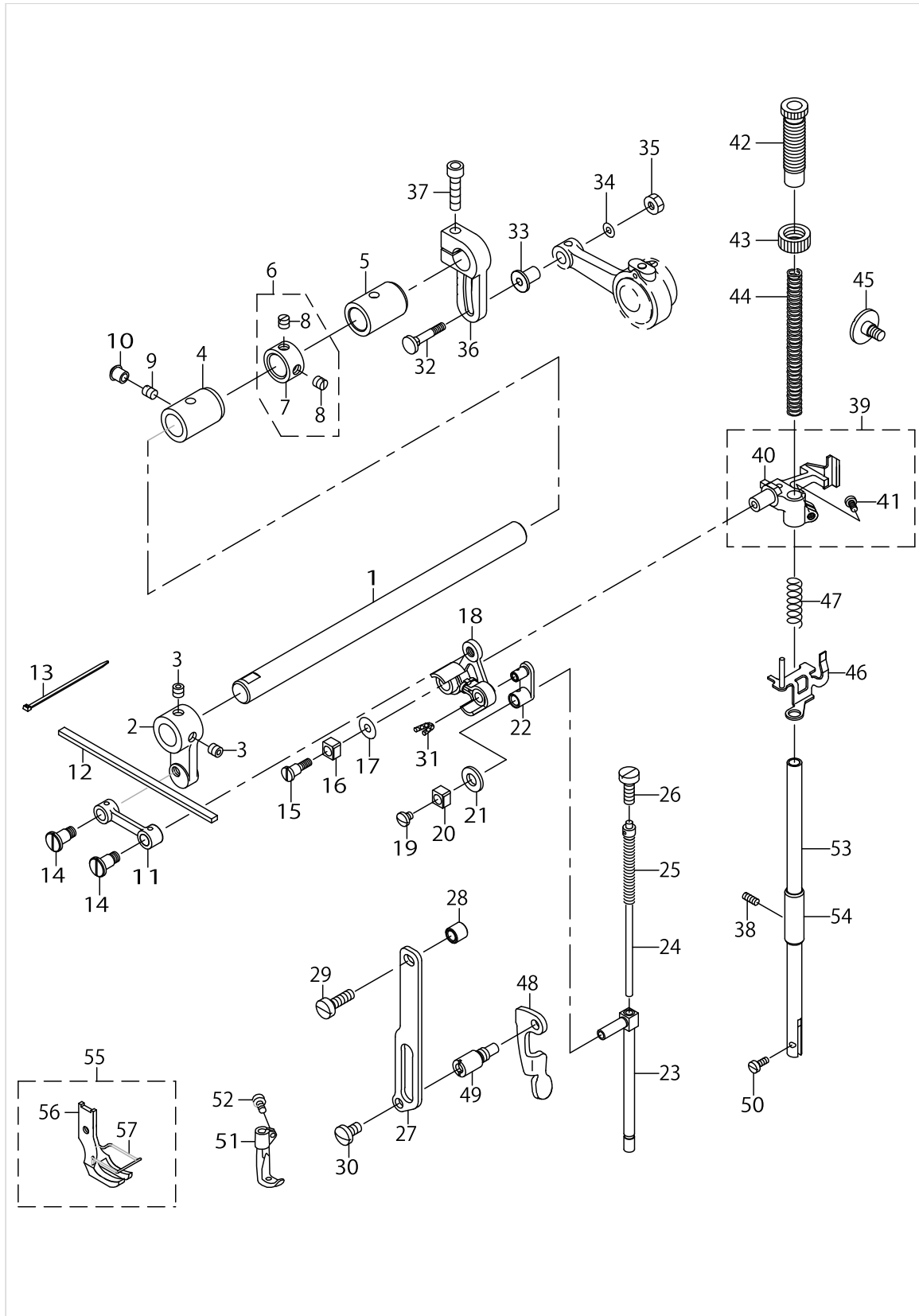
PRESSURE ADJUSTING & UPPER FEED MECHANISM COMPONENTS



PRESSURE ADJUSTING & UPPER FEED MECHANISM COMPONENTS

No.	Parts No.	Parts name	Remarks	Level	Cons	Qty
1	21340401	UPPER FEED SHAFT				1
2	21340500	UPPER FEED FRONT ARM				1
3	SS8660612TP	SCREW 1/4-40 L=6				2
4	21341904	FRONT METAL				1
5	21378302	FEED SHAFT METAL				1
6	22904155	MAIN SHAFT THRUST COLLAR ASM.				1
7	22904106	MAIN SHAFT THRUST COLLAR		*		1
8	SS8660610TP	SCREW 1/4-40 L=6		*		2
9	SS8150710TP	SCREW 15/64-28 L=7				1
10	TA0750704R0	RUBBER PLUG				1
11	40033026	UPPER FEED LINK				1
12	21347109	FELT				1
13	EA9500B0000	CLIP CV-70S				2
14	40018340	SCREW				2
15	40018339	SCREW				1
16	B1414555000	SLIDE BLOCK				1
17	WP0501046SC	WASHER 5 X 14 X 1				1
18	40033029	TRIANGULAR LEVER ASM.				1
19	SS7110510SP	SCREW 11/64-40 L=5				1
20	B1414555000	SLIDE BLOCK				1
21	10509701	FELT				1
22	40018341	WALKING BAR DRIVING LINK				1
23	40033030	WALKING BAR A				1
24	B14670530A0	WALKING BAR ASM.				1
25	B1468053000	WALKING BAR SPRING				1
26	SS6151780SP	SCREW 15/64-28 L=17.0				1
27	21406509	UPPER FEED GUIDE PLATE				1
28	26225201	ROLLER				1
29	SS6151920SP	SCREW 15/64-28 L=19.0				1
30	SS7150740SP	SCREW 15/64-28 L=7				1
31	CQ252000000	OIL WICK				0.02
32	D1456055B00	HINGE SCREW				1
33	D1455055B00	CONNECTING STUD				1
34	WP0482086SD	WASHER 4.8X11.5X2				1
35	NS6110530SP	NUT 11/64-40				1
36	21437900	UPPER FEED REAR ARM				1
37	SM6062502TP	SCREW M6 L=25				1
38	SS8111010TP	SCREW 11/64-40 L=9.5				1
39	40033032	PRESSER BAR HOLDER A ASM.				1
40	40033031	PRESSER BAR HOLDER A		*		1
41	SS7110910TP	SCREW 11/64-40 L= 8.5		*		1
42	21340906	PRESSER ADJUSTING SCREW				1
43	22907604	PRESSER SPRING REGULATOR NUT				1
44	B1502246000	PRESSER SPRING				1
45	SD0800481SP	HINGE SCREW D= 8 H= 4.9				1
46	21341151	THREAD RELEASE HOLDING PLATE				1
47	B1462053000	THREAD RELEASE SPRING				1

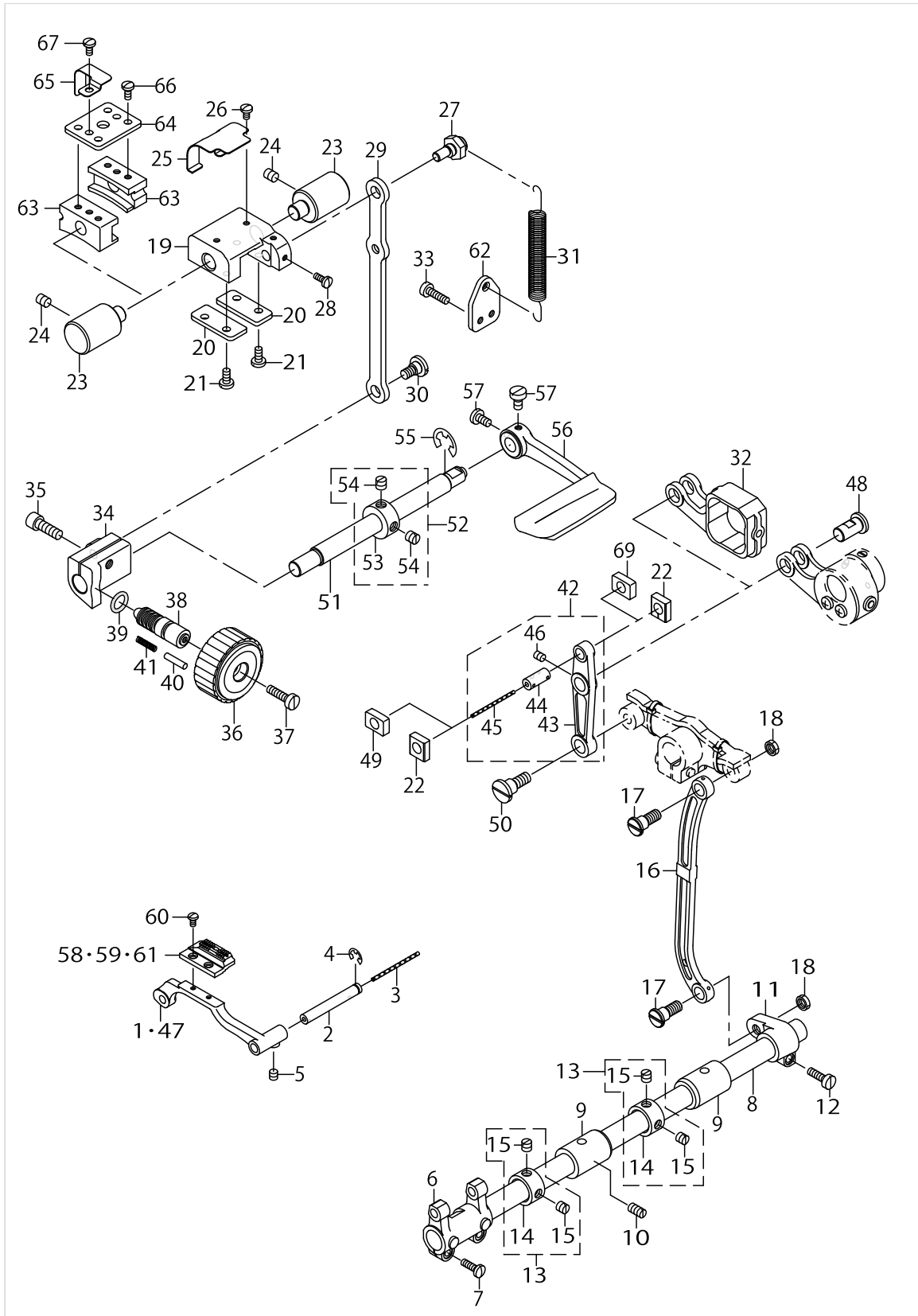
PRESSURE ADJUSTING & UPPER FEED MECHANISM COMPONENTS



PRESSURE ADJUSTING & UPPER FEED MECHANISM COMPONENTS

No.	Parts No.	Parts name	Remarks	Level	Cons	Qty
48	21406103	PRESSER LIFTER LEVER				1
49	21406608	GUIDE PLATE SPACER				1
50	SS6090910TP	SCREW 9/64-40 L=9				1
51	B1470241H00	WALKING FOOT				1
52	B1471241H00	SCREW				1
53	B1501241H00	PRESSER BAR				1
54	B1510155000	PRESSER BAR LOWER BUSHING				1
55	B1525241HA0	PRESSER FOOT ASM.				1
56	B1525241H00	PRESSER FOOT		*		1
57	10337905	FINGER GUARD		*		1

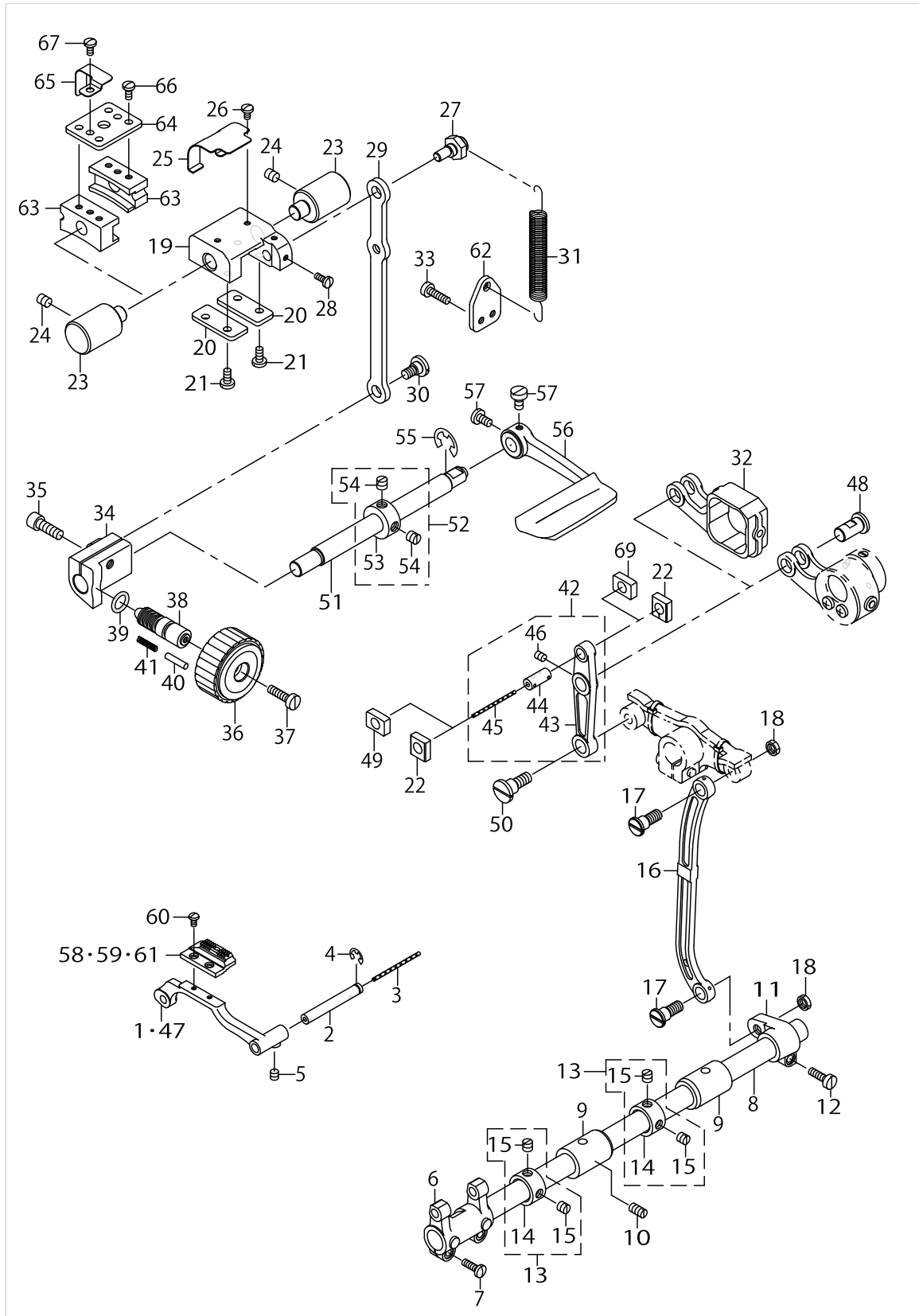
FEED MECHANISM COMPONENTS



FEED MECHANISM COMPONENTS

No.	Parts No.	Parts name	Remarks	Level	Cons	Qty
1	21405006	FEED BASE	FOR DNU-1541,DNU-1541S			1
2	B1604012000A	FEED BAR SHAFT				1
3	CQ202000000	OIL WICK				0.14
4	RE0500711KP	SNAP RING 5				1
5	SM8050512TP	SCREW				1
6	21364104	FEED ROCKER				1
7	SS7111410TP	SCREW 11/64-40 L=14				2
8	22609408	FEED ROCK SHAFT				1
9	21378302	FEED SHAFT METAL				2
10	SS8151150TP	SCREW 15/64-28 L=10.5				1
11	22609309	FEED ROCKER SHAFT CRANK				1
12	SS6121610TP	SCREW 3/16-28 L=15.5				1
13	22904155	MAIN SHAFT THRUST COLLAR ASM.				2
14	22904106	MAIN SHAFT THRUST COLLAR		*		1
15	SS8660610TP	SCREW 1/4-40 L=6		*		2
16	10205201	NEEDLE BAR FRAME ROD				1
17	SD0900701TP	HINGE SCREW D= 9 H= 7				2
18	NS6680320SP	NUT 9/32-28				2
19	21337506	FEED ADJUSTING BASE	FOR DNU-1541,DNU-1541S			1
20	21337704	FEED ADJUSTING BASE COVER	FOR DNU-1541,DNU-1541S			2
21	SS7110910TP	SCREW 11/64-40 L= 8.5	FOR DNU-1541,DNU-1541S			4
22	21337407	SQUARE BLOCK	FOR DNU-1541,DNU-1541S			2
23	21337803	FEED ADJUSTING BASE SUPPORT				2
24	SS8150822TP	SCREW 15/64-28 L=8				2
25	21338306	FELT SUPPORT	FOR DNU-1541,DNU-1541S			1
26	SS7090610SP	SCREW 9/64-40 L=6	FOR DNU-1541,DNU-1541S			2
27	21337902	ECCENTRIC PIN				1
28	SS7090910TP	SCREW 9/64-40 L= 8.5				2
29	21337308	FEED ADJUSTING ROD				1
30	SD0800402TP	HINGE SCREW D= 8 H= 4				1
31	21337605	SPRING				1
32	40011400	FEED ROD (C)	FOR DNU-1541H			1
33	SS6111610SP	SCREW 11/64-40 L=16				2
34	21337209	FEED ADJUSTING A				1
35	SM6061802TP	SCREW M6 L=18				1
36	21336805	FEED DIAL A				1
37	SS6121860SP	SCREW 3/16-28 L=18				1
38	11009909	FEED REGULATOR SCREW				1
39	RO092270200	RUBBER RING				1
40	22912000	FEED REGULATOR PIN				1
41	22912109	FEED REGULATOR PIN SPRING				1
42	21336656	FEED LINK ASM.				1
43	21336607	FEED LINK		*		1
44	B1418761000	CONNECTING FORKED LINK PIN		*		1
45	CQ202000000	OIL WICK		*		0.04
46	SM8050612TP	SCREW M5X6		*		1
47	40019907	FEED BASE	FOR DNU-1541H			1

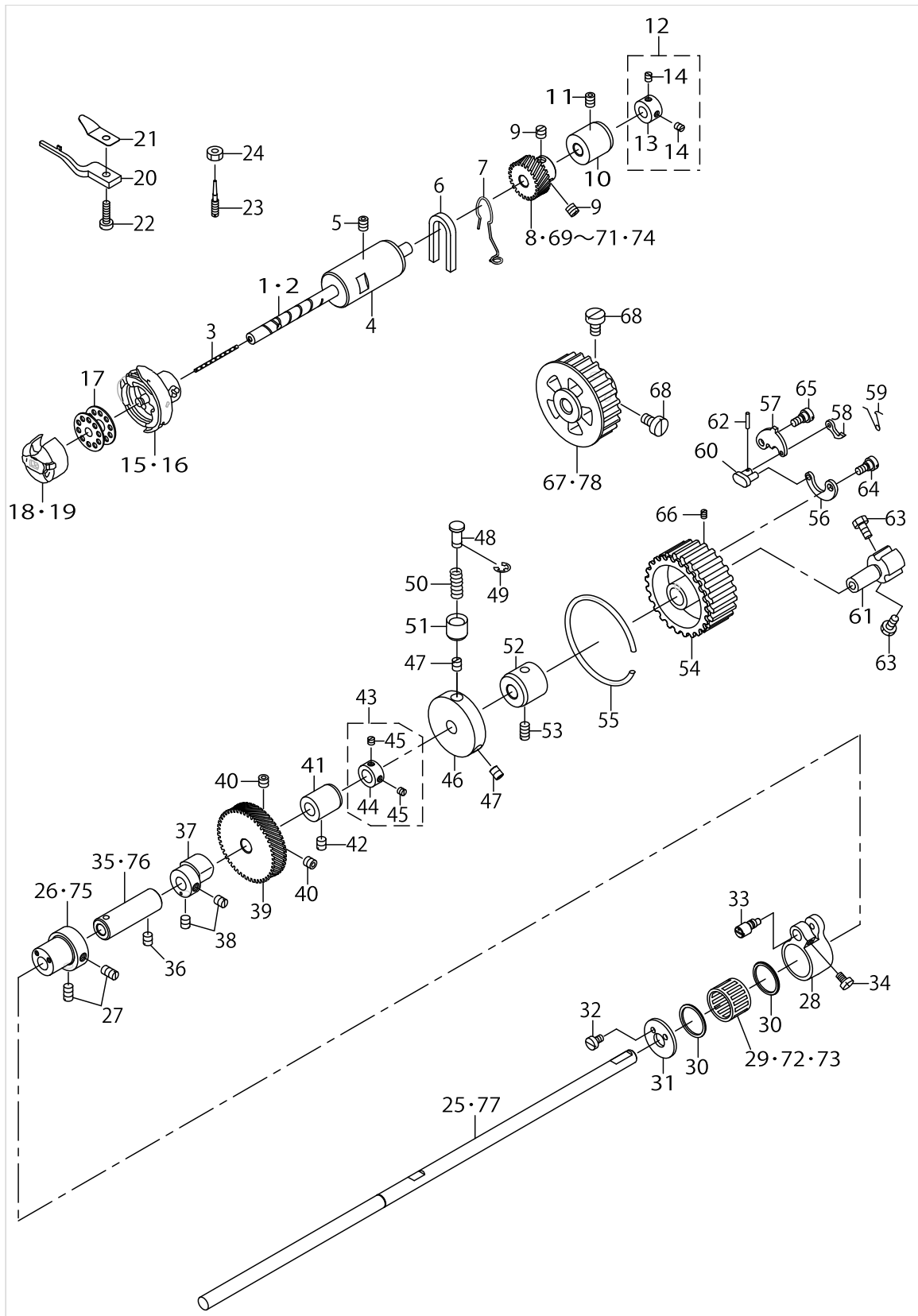
FEED MECHANISM COMPONENTS



FEED MECHANISM COMPONENTS

No.	Parts No.	Parts name	Remarks	Level	Cons	Qty
48	21338207	FEED LINK PIN				1
49	21407309	SQUARE BLOCK	FOR DNU-1541H			2
50	SD1000801SH	HINGE SCREW D=10 H=8				1
51	21336300	BACKWARD FEED LEVER SHAFT				1
52	CS1201010SH	THRUST COLLAR ASM. D=12 W=10				1
53	CS1201011SH	THRUST COLLAR D=12 W=10		*		1
54	SS8660610TP	SCREW 1/4-40 L=6		*		2
55	RE0900000K0	E-RING 9				1
56	21388004	REVERSE FEED ROCK SHAFT				1
57	SS6120930TP	SCREW 3/16-28 L=9				2
58	40019908	FEED DOG(4X2.5)	FOR DNU-1541			1
59	40019910	FEED DOG(6X2.5)	FOR DNU-1541S			1
60	SS4080620TP	SCREW 1/8-44 L=6				2
61	40019911	FEED DOG(2.6X2.2)	OPTIONAL PARTS			1
62	40019926	SPRING HOOK				1
63	40038711	FEED ADJUSTING BASE B	FOR DNU-1541H			2
64	21407408	FITTING PLATE	FOR DNU-1541H			2
65	40038712	FELT HOLDER	FOR DNU-1541H			1
66	SS7110910TP	SCREW 11/64-40 L= 8.5	FOR DNU-1541H			4
67	SS7110710SP	SCREW 11/64-40 L=7	FOR DNU-1541H			1

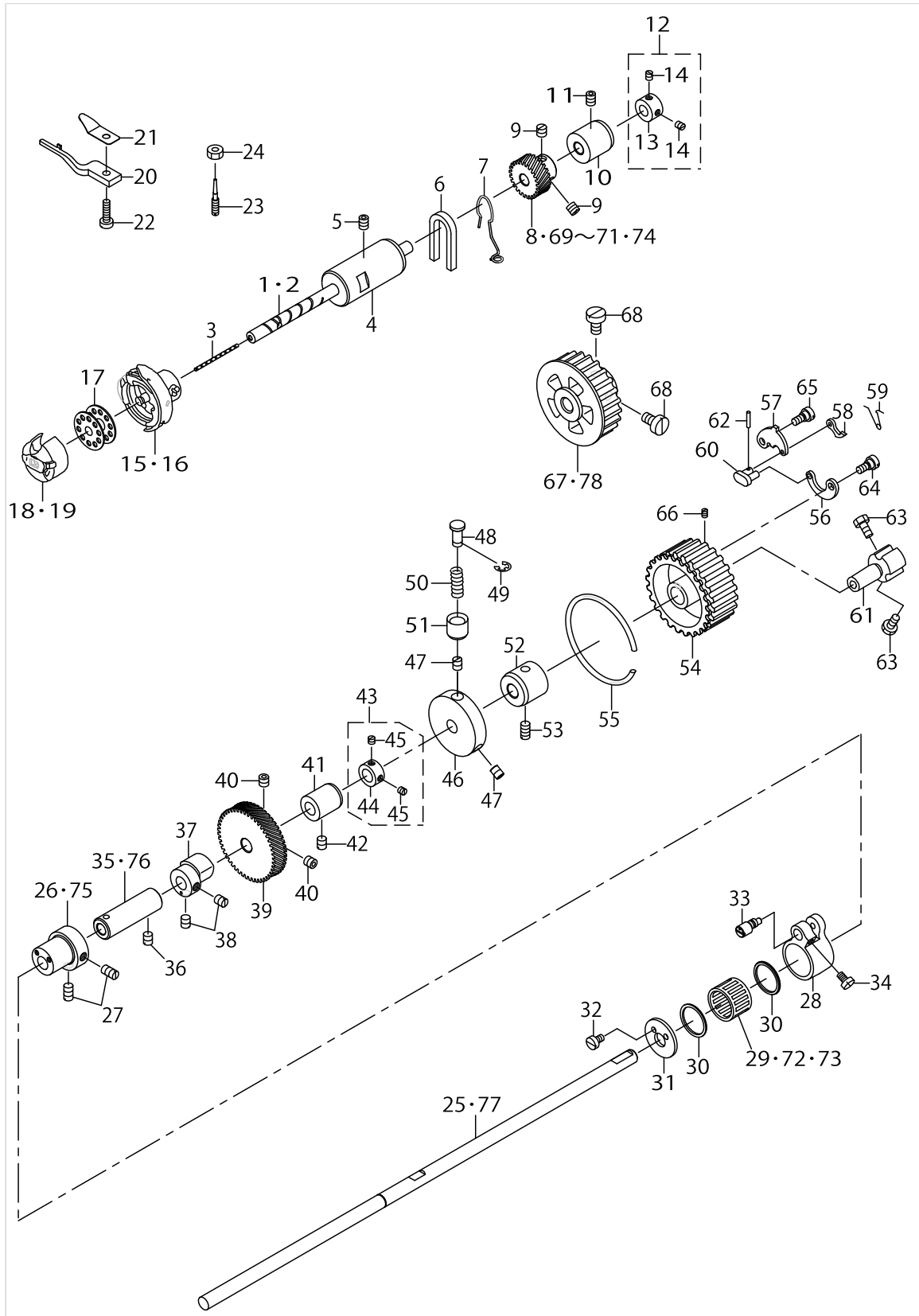
HOOK SHAFT & LOWER SHAFT COMPONENTS



HOOK SHAFT & LOWER SHAFT COMPONENTS

No.	Parts No.	Parts name	Remarks	Level	Cons	Qty
1	21403506	HOOK SHAFT	FOR DNU-1541·DNU-1541H			1
2	21403605	HOOK SHAFT	FOR DNU-1541S			1
3	CQ200000000	OIL WICK				0.1
4	B1802141H00A	DRIVING SHAFT BUSHING, FRONT				1
5	SS8150822TP	SCREW 15/64-28 L=8				1
6	B1155141H00	OIL PIEP				1
7	21407804	FELT SUPPORT				1
8	21404009	HOOK SHAFT GEAR A				1
9	SS8660610TP	SCREW 1/4-40 L=6				2
10	B1803141H00	BUSHING, INTERMEDIATE				1
11	SS8150822TP	SCREW 15/64-28 L=8				1
12	CS0791010SH	THRUST COLLAR ASM. D=7.94 W=10				1
13	CS0791016SH	THRUST HOLDER D=7.94 W=10		*		1
14	SS8110422TP	SCREW 11/64-40 L=4		*		2
15	B1830241HA0	HOOK ASM.	FOR DNU-1541·DNU-1541H			1
16	B1830241SA0	HOOK ASM.	FOR DNU-1541S			1
17	B9117201000	BOBBIN				1
18	B1837241H00	BOBBIN CASE	FOR DNU-1541·DNU-1541H			1
19	B1837241S00	BOBBIN CASE	FOR DNU-1541S			1
20	11038809	BOBBIN CASE HOLDER				1
21	B1829241H00	THREAD PRESSER PLATE				1
22	SS6111620SP	SCREW 11/64-40 L=16.0				1
23	B1834512000A	OIL ADJUSTING SCREW				1
24	NS6110530SP	NUT 11/64-40				1
25	21402409	LOWER SHAFT				1
26	21405105	FEED DRIVING CAM				1
27	SS8151150TP	SCREW 15/64-28 L=10.5				2
28	23618200	FEED DRIVING BASE ARM				1
29	SB32000060A	BEARING	SELECTIVE PARTS			1
30	23618101	FEED DRIVING CAM THRUST BUSH				2
31	21405303	FEED DRIVING CAM PLATE				1
32	SS6090620TP	SCREW				2
33	23618408	FEED DRIVING BASE SHAFT				1
34	SS7110740TP	SCREW 11/64-40 L=7				1
35	21402508	LOWER SHAFT FRONT METAL				1
36	SS8150710TP	SCREW 15/64-28 L=7				1
37	21404405	OPENER CAM	FOR DNU-1541S			1
38	SS8150710TP	SCREW 15/64-28 L=7	FOR DNU-1541S			2
39	21402706	LOWER SHAFT GEAR				1
40	SS8660612TP	SCREW 1/4-40 L=6				2
41	21402607	LOWER SHAFT INNER METAL				1
42	SS8150710TP	SCREW 15/64-28 L=7				1
43	CS0950810SH	THRUST COLLAR ASM. D=9.5 W=8				1
44	CS0950816SH	THRUST COLLAR D=9.5 W=8		*		1
45	SS8110410TP	SCREW 11/64-40 L= 3.5		*		2
46	21403001	SAFETY CLUTCH DISC	FOR DNU-1541S			1
47	SS8150710TP	SCREW 15/64-28 L=7	FOR DNU-1541S			2

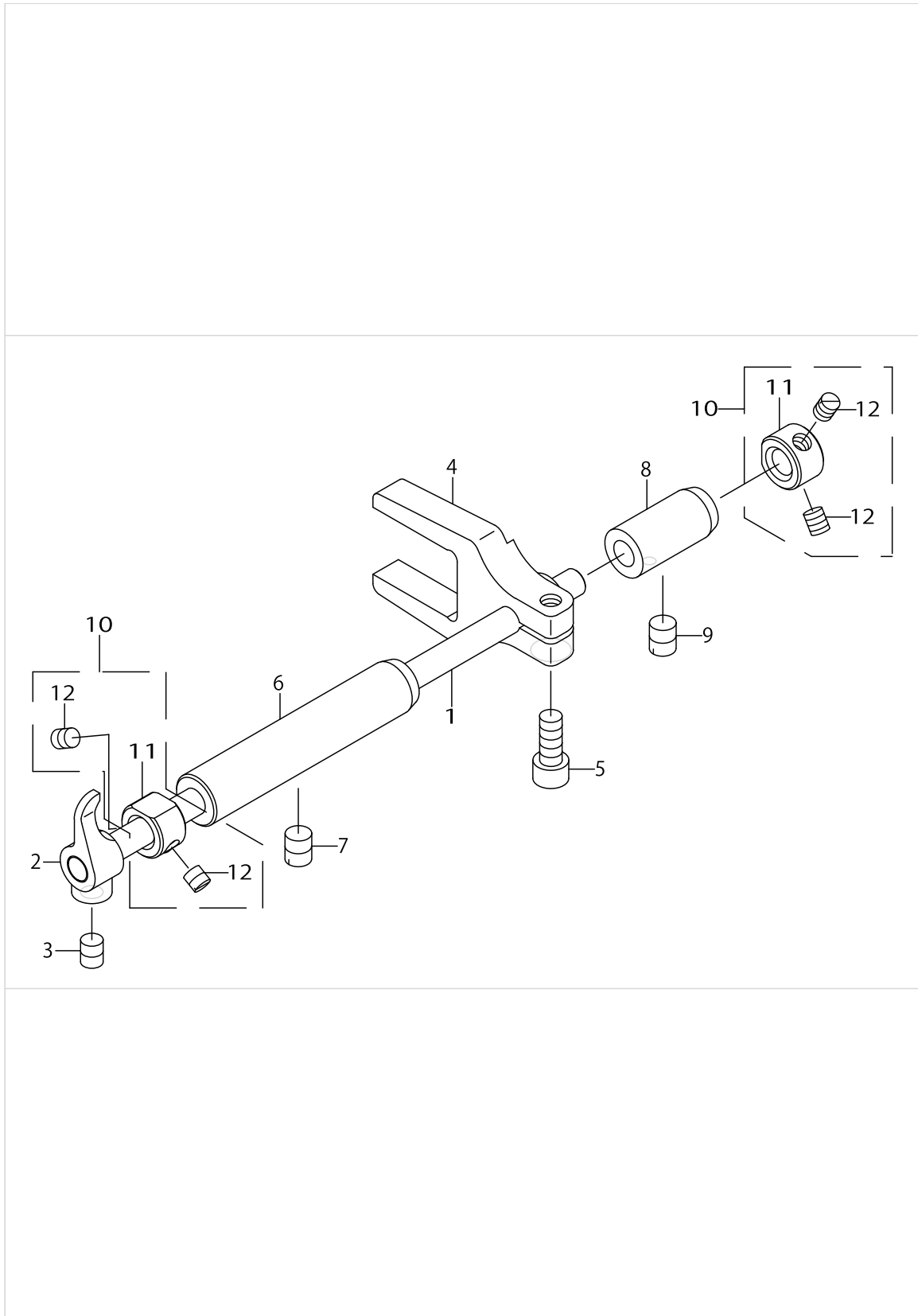
HOOK SHAFT & LOWER SHAFT COMPONENTS



HOOK SHAFT & LOWER SHAFT COMPONENTS

No.	Parts No.	Parts name	Remarks	Level	Cons	Qty
48	B1312563000A	SAFETY CLUTCH PUSH BUTTON	FOR DNU-1541S			1
49	RE0500000K0	E-RING	FOR DNU-1541S			1
50	B1639051000	SPRING	FOR DNU-1541S			1
51	B1313055000	SAFETY CLUTCH KNOB SLEEVE	FOR DNU-1541S			1
52	21402805	LOWER SHAFT BACK METAL				1
53	SS8150710TP	SCREW 15/64-28 L=7				1
54	21333505	LOWER SPROCKET	FOR DNU-1541S			1
55	B1214019000	SPROCKET RING	FOR DNU-1541S			1
56	B1305055000A	SAFETY CLUTCH SPRING	FOR DNU-1541S			1
57	B1307055000	SAFETY CLUTCH HOOK	FOR DNU-1541S			1
58	B1308055000	SAFETY CLUTCH COUNTER-HOOK	FOR DNU-1541S			1
59	40113224	COUNTER HOOK SPRING	FOR DNU-1541S			1
60	B1310055000	SAFETY CLUTCH SMALL LINK	FOR DNU-1541S			1
61	10503605	SAFETY BASE	FOR DNU-1541S			1
62	B1314055000	SAFETY CLUTCH SMALL LINK PIN	FOR DNU-1541S			1
63	SS6661110SP	SCREW 1/4-40 L=11	FOR DNU-1541S			2
64	SD0640322TP	HINGE SCREW D= 6.35 H= 3.2	FOR DNU-1541S			1
65	SD0640322TP	HINGE SCREW D= 6.35 H= 3.2	FOR DNU-1541S			1
66	SS8090540SP	SCREW 9/64-40 L=5	FOR DNU-1541S			1
67	22623201	SPROCKET WHEEL	FOR DNU-1541·DNU-1541H			1
68	SS6661110SP	SCREW 1/4-40 L=11	FOR DNU-1541·DNU-1541H			2
69	21404207	HOOK SHAFT GEAR C	SELECTIVE PARTS			1
70	21404108	HOOK SHAFT GEAR B	SELECTIVE PARTS			1
71	21404306	HOOK SHAFT GEAR D	SELECTIVE PARTS			1
72	SB32000060B	BEARING	SELECTIVE PARTS			1
73	SB32000060C	BEARING	SELECTIVE PARTS			1
74	21403902	HOOK SHAFT GEAR Z	SELECTIVE PARTS			1
75	21405501	FEED DRIVING CAM	FOR DNU-1541H			1
76	40026828	LOWER SHAFT FRONT METAL ASM.	FOR DNU-1541H			1
77	40082634	LOWER SHAFT	FOR DNU-1541·DNU-1541H			1
78	40143190	LOWER_SPROCKET	SELECTIVE PARTS			1

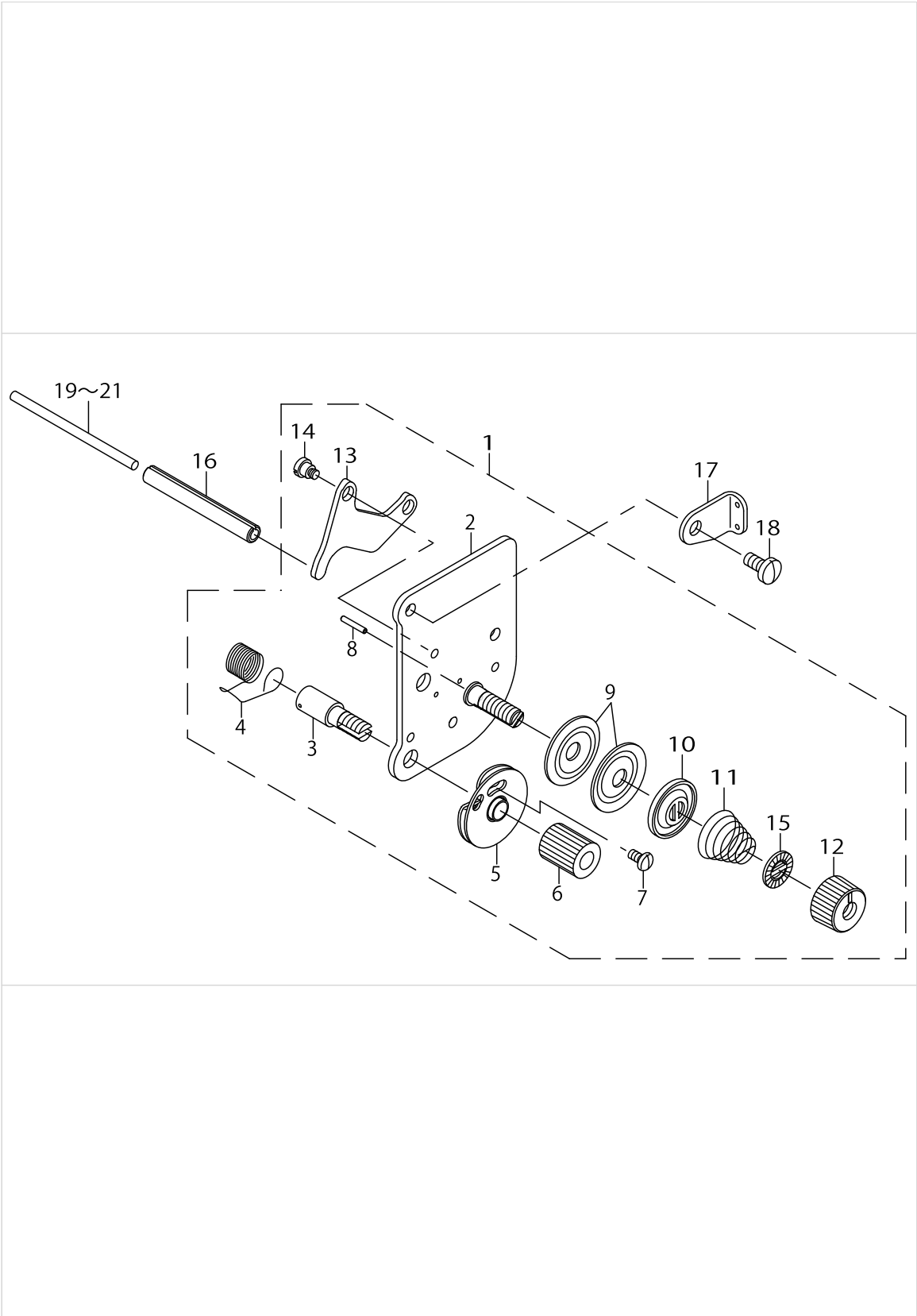
OPENER COMPONENTS (FOR DNU-1541S)



OPENER COMPONENTS (FOR DNU-1541S)

No.	Parts No.	Parts name	Remarks	Level	Cons	Qty
1	21404504	OPENER SHAFT				1
2	B1805241H00	OPENER				1
3	SM8050602TP	SCREW M5 L=6				1
4	B1806241H00	OPENER ARM				1
5	SM6051202TP	SCREW M5X0.8 L=12				1
6	21404603	BUSHING, FRONT				1
7	SS8150710TP	SCREW 15/64-28 L=7				1
8	B1810241H00	OPENER SHAFT REAR METAL				1
9	SS8150710TP	SCREW 15/64-28 L=7				1
10	CS0640860SH	THRUST COLLAR ASM. D=6.35 W=8				2
11	CS0640863SH	THRUST COLLAR D=6.35 W=8		*		2
12	SS8110510SP	SCREW 11/64-40 L=5		*		4

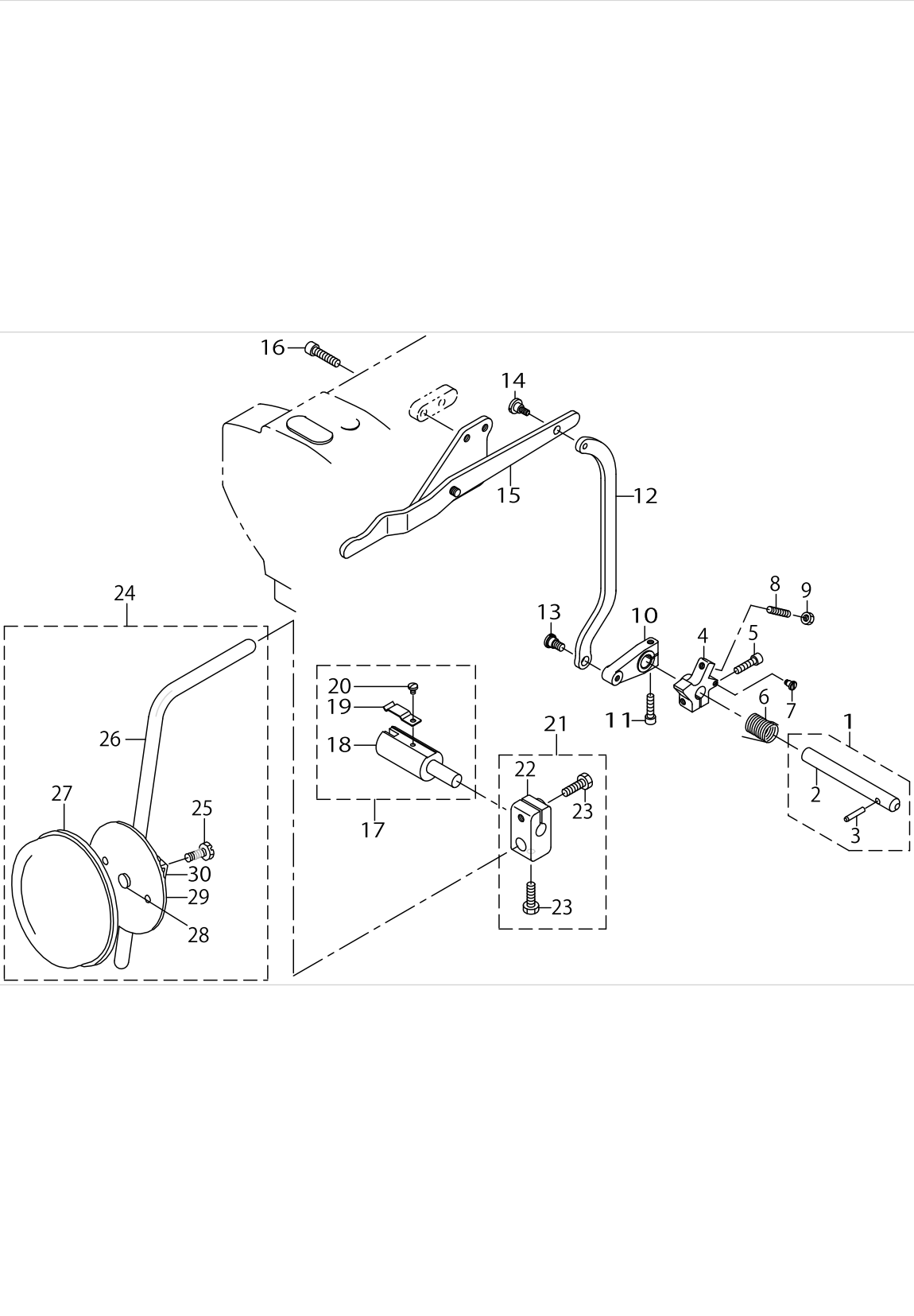
THREAD TENSION COMPONENTS



THREAD TENSION COMPONENTS

No.	Parts No.	Parts name	Remarks	Level	Cons	Qty
1	40103059	THREAD TENSION ASM.				1
2	40103060	THREAD POST BASE COMPL.		*		1
3	10320109	SCREW STUD		*		1
4	B3128051000	THREAD TAKE-UP SPRING, A		*		1
5	B31370510A0	TAKE-UP SPRING GUIDE DISC ASM.		*		1
6	10320208	THRED TENSION STUD NUT		*		1
7	SS4080620TP	SCREW 1/8-44 L=6		*		1
8	B3127051000	TENSION RELEASE PIN, SHORT		*		1
9	13138201	THREAD TENSION DISK		*		2
10	22617906	THREAD TENSION DISK PRESSER		*		1
11	B3129053000	TENSION SPRING		*		1
12	22921308	THREAD TENSION NUT		*		1
13	B3134521000	TENSION RELEASE LEVER		*		1
14	SD0470281SP	HINGE SCREW D=4.7 H=2.8		*		2
15	22921407	ROTATION STOPPER		*		1
16	PS0600502KP	SPRING PIN				1
17	21409909	GUIDE PLATE				1
18	SS7110910TP	SCREW 11/64-40 L= 8.5				2
19	21348206	TENSION RELEASE BAR				1
20	10321107	TENSION RELEASE BAR	SELECTIVE PARTS			1
21	23006406	TENSION RELEASE BAR	SELECTIVE PARTS			1

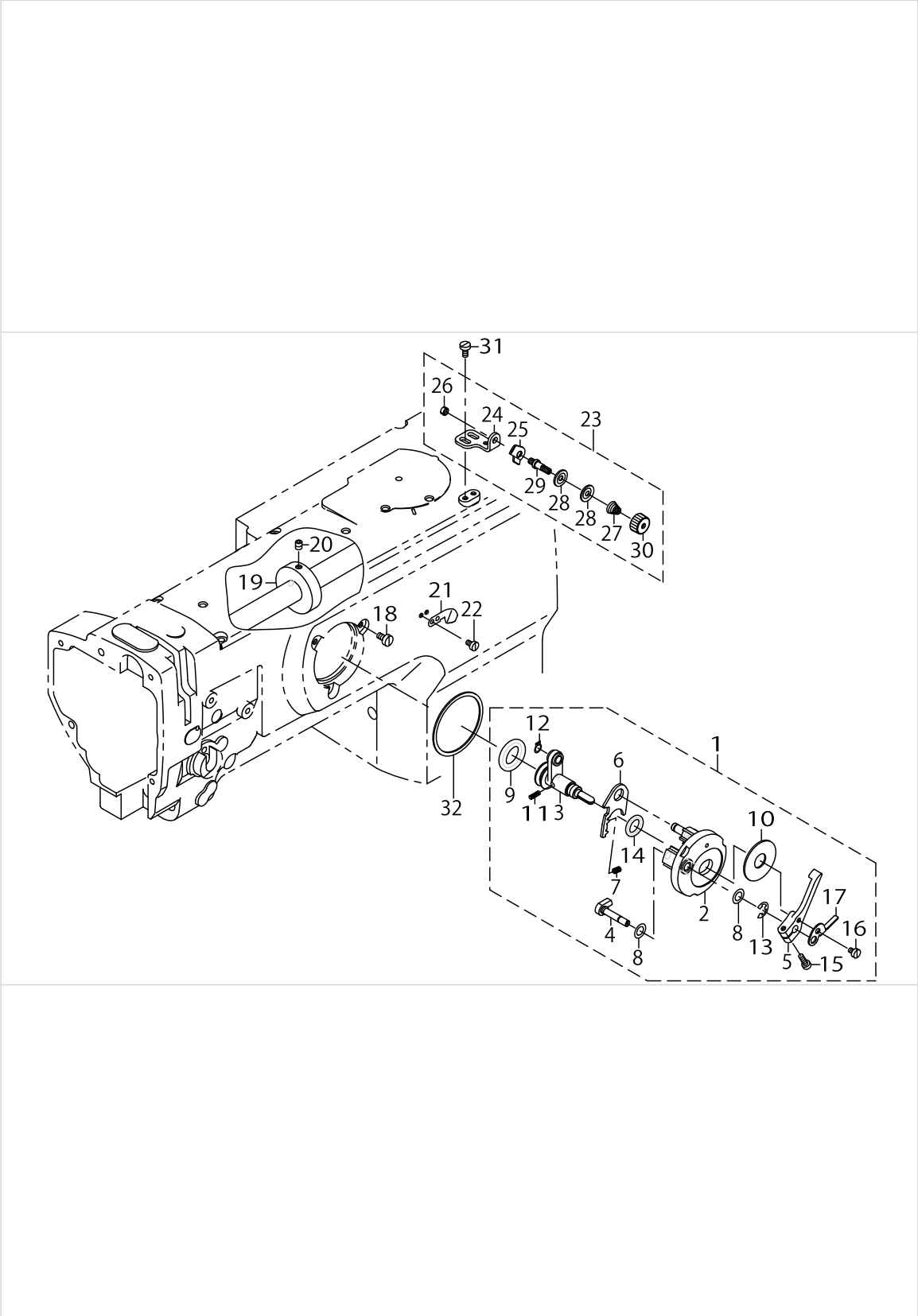
KNEE LIFTING COMPONENTS



KNEE LIFTING COMPONENTS

No.	Parts No.	Parts name	Remarks	Level	Cons	Qty
1	21406053	KNEE LIFTER SHAFT ASM.				1
2	21406004	KNEE LIFTER SHAFT		*		1
3	21342605	KNEE LIFTER SHAFT PIN		*		1
4	21405808	KNEE LIFTER SPRING RACK				1
5	SM6052002TP	SCREW M5 L=20				1
6	21405907	KNEE LIFTER SHAFT SPRING				1
7	SD0450401SP	HINGE SCREW D= 4.5 H= 4				1
8	SM8052502TP	SCREW M5X0.8 L=25				1
9	NM6050001SD	NUT M5X0.8				1
10	21405709	KNEE LIFTER ARM				1
11	SM6052002TP	SCREW M5 L=20				1
12	21405600	KNEE LIFTER CONNECTING PLATE				1
13	SD0790451SP	HINGE SCREW D= 7.94 H= 4.5				1
14	SD0700451TP	HINGE SCREW D=7 H=4.5				1
15	21343355	KNEE LIFTER LEVER ASM.				1
16	SM6062502TP	SCREW M6 L=25				2
17	22863252	KNEE LIFTER JOINT ASM.				1
18	22863203	KNEE LIFTER JOINT		*		1
19	B3428521000	PRESSER SPRING		*		1
20	SS7090510SP	SCREW 9/64-40 L= 4.6		*		1
21	22932453	BRACKET ASM.				1
22	22932404	BRACKET		*		1
23	22934707	SCREW		*		2
24	21343157	KNEE PRESS PLATE ASM.				1
25	SM9061203SE	SCREW M6 L=12		*		1
26	21343108	KNEE PRESS LEVER		*		1
27	22934509	KNEE PAD PLATE COVER		*		1
28	22934400	KNEE PAD PLATE RUBBER		*		1
29	22934202	KNEE PAD PLATE		*		1
30	22934301	KNEE PAD PLATE SUPPORT		*		1

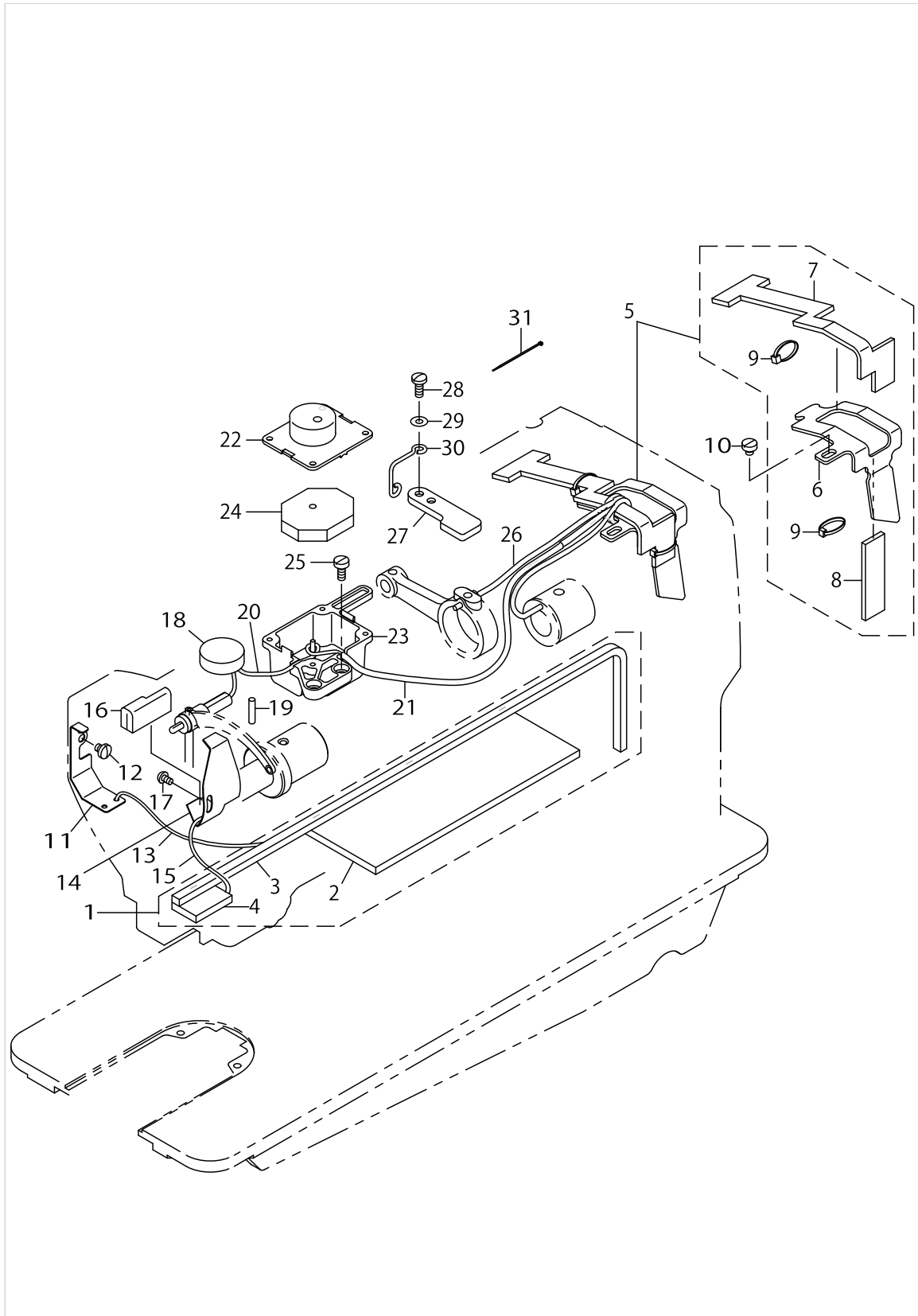
LOWER THREAD WINDER MECHANISM COMPONENTS



LOWER THREAD WINDER MECHANISM COMPONENTS

No.	Parts No.	Parts name	Remarks	Level	Cons	Qty
1	21357967	BOBBIN DEVICE ASM.				1
2	22537658	BOBBIN FITTING BASIS COMPL.		*		1
3	21357959	BOBIN SHAFT COMPL.		*		1
4	22538151	BOBBIN CAM SHAFT COMPL.		*		1
5	23636202	BOBBIN LEVER		*		1
6	21356001	ADJUSTING PLATE		*		1
7	B152989000CA	PRESSUR FOOT SPRING		*		1
8	10618304	VERTICAL ROLLER WASHER		*		2
9	21358205	RUBBER RING		*		1
10	B3205210000	CUSHION		*		1
11	B1148555000	SPRING		*		1
12	RC0560711KP	RETAINING RING		*		1
13	RE0500000K0	E-RING		*		1
14	RO092270200	RUBBER RING		*		1
15	SS7091410SP	SCREW 9/64-40 L=13.5		*		1
16	SS6090520SP	SCREW 9/64-40 L= 5.0		*		1
17	14512503	BOBBIN ADJUSTING PLATE		*		1
18	SS6110810TP	SCREW 11/64-40 L=8				3
19	10704807	BOBBIN FRICTION WHEEL				1
20	SM8050602TP	SCREW M5 L=6				2
21	10502300	THREAD CUTTER				1
22	SS6090620TP	SCREW				2
23	21355755	LOWER THREAD GUIDE ASM.				1
24	21355706	FITTING BASE		*		1
25	D3162555B00	THREAD GUIDE		*		1
26	NS6110310SP	NUT 11/64-40		*		1
27	22945505	THREAD TENSION SPRING		*		1
28	40113092	THREAD TENSION DISK		*		2
29	21378708	THREAD TENSION POST		*		1
30	22945703	THREAD TENSION NUT		*		1
31	SM6040800SP	SCREW				2
32	22538706	PACKING				1

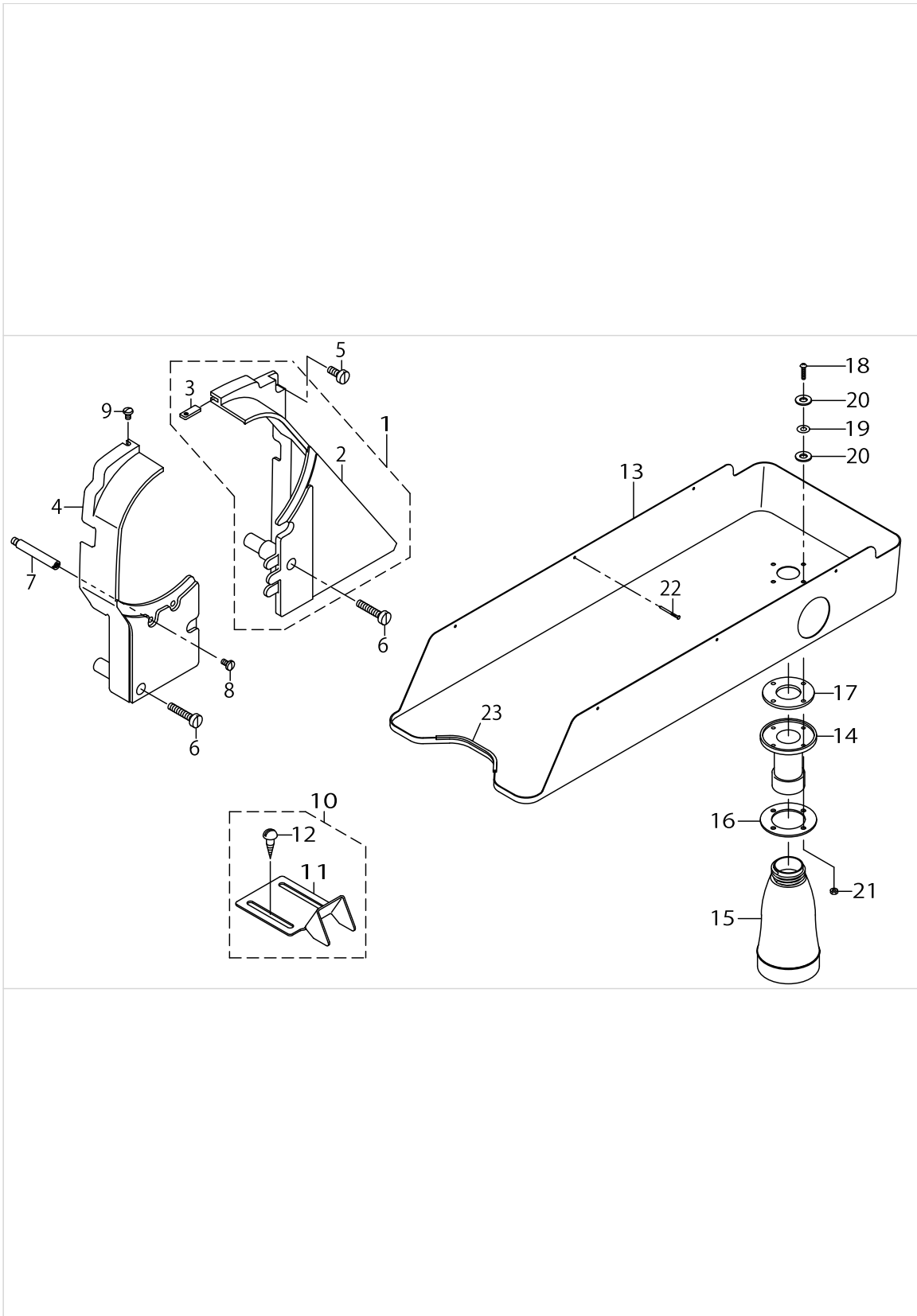
LUBRICATION COMPONENTS



LUBRICATION COMPONENTS

No.	Parts No.	Parts name	Remarks	Level	Cons	Qty
1	21345756	ARM ONCE THROUGH OIL FELT ASM.				1
2	21345707	ARM ONCE THROUGH FELT A				1
3	21345806	FELT B				1
4	21345905	FACE ONCE THROUGH FELT				1
5	21346358	FELT SUPPORT ASM.				1
6	21346309	FELT		*		1
7	21346507	FEED CHANGE FELT		*		1
8	21346408	FELT		*		1
9	EA9500B0000	CLIP CV-70S		*		2
10	SS6110480SP	SCREW 11/64-40 L=4.3				1
11	21340708	UPPER FEED OIL BAR PLATE				1
12	SS7110510SP	SCREW 11/64-40 L=5				1
13	CQ202000000	OIL WICK				0.2
14	21347000	TAKE-UP OIL PLATE				1
15	CQ202000000	OIL WICK				0.25
16	21347208	TAKE-UP LUBRICATION FELT				1
17	SS3090610SP	SCREW 9/64-40 L=6				1
18	21346002	FELT				1
19	B1412051000	FELT				1
20	CQ252000000	OIL WICK				0.3
21	BT0500300EA	OIL TUBE				0.25
22	21407507	OIL TANK A				1
23	21407606	OIL TANK B				1
24	21407705	FELT				2
25	SS6111010SP	SCREW 11/64-40 L= 9.5				2
26	CQ202000000	OIL WICK				0.2
27	21339700	UPPER FEED STOPPER PLATE (B)				1
28	SS7111120TP	SCREW				2
29	WP0450801SD	WASHER 4.5X10X0.8				1
30	22620504	OIL WICK HOLDER				1
31	EA9500B0000	CABLE BAND				1

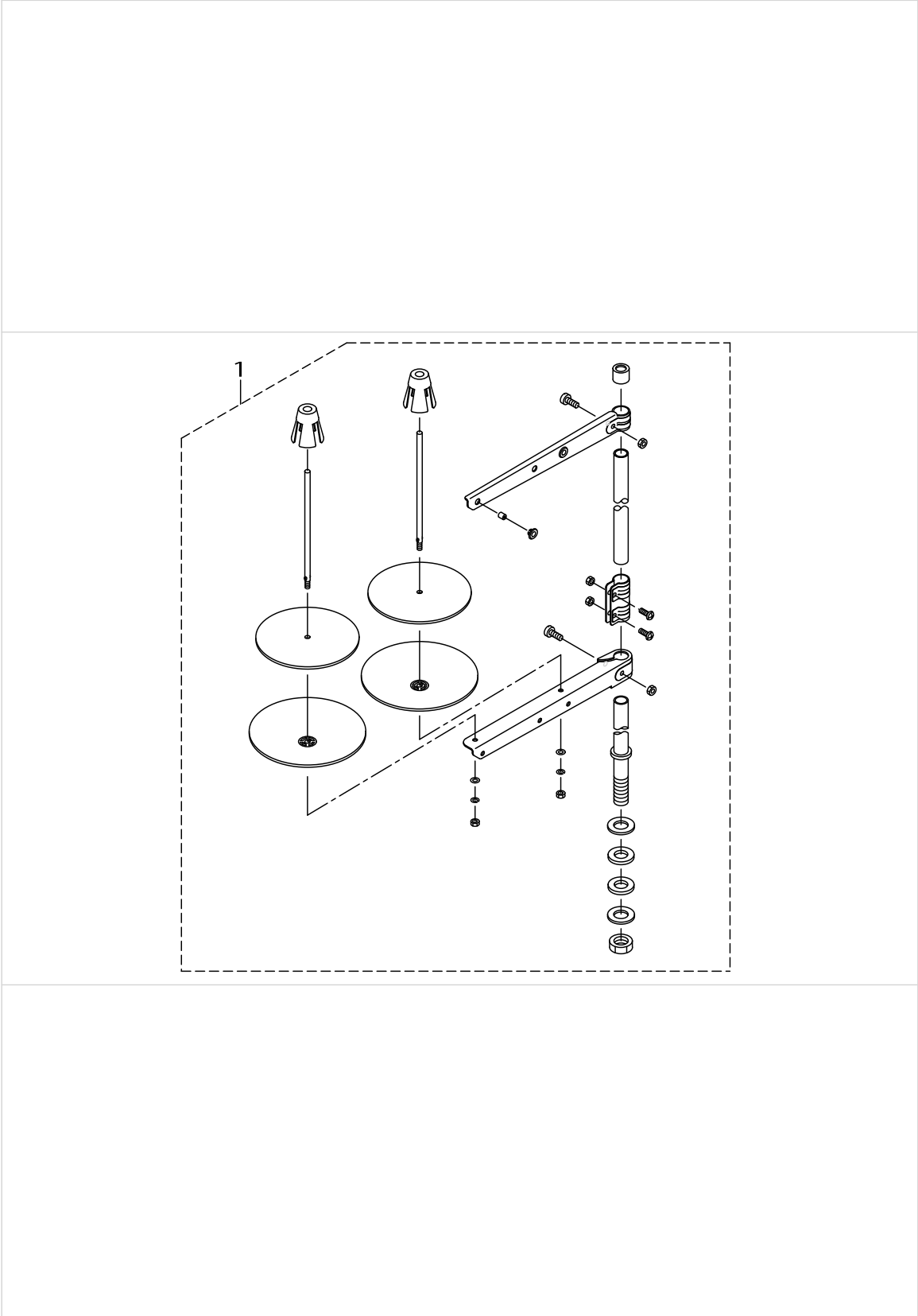
BELT COVER & OIL RESERVOIR COMPONENTS



BELT COVER & OIL RESERVOIR COMPONENTS

No.	Parts No.	Parts name	Remarks	Level	Cons	Qty
1	21351150	BELT COVER ASM. (RIGHT)				1
2	21351101	BELT COVER (RIGHT)		*		1
3	21351002	BELT COVER AUXILIARY PLATE		*		1
4	21351200	BELT COVER (LEFT)				1
5	SS6151440SP	SCREW 15/64-28 L=14				1
6	SS6153040SP	SCREW 15/64-28 L=30				2
7	D8232241E00	BELT COVER SUPPORT A				1
8	SS7110840SP	SCREW 11/64-40 L=7.8				1
9	SS5110740TP	SCREW 11/64-40 L= 6.5				1
10	10755254	BELT COVER C ASM. (FOR JE)				1
11	10755205	BELT COVER C(JE)		*		1
12	SK3482500SC	WOOD SCREW D=4.8 L=25		*		2
13	21413000	OIL RESERVOIR				1
14	B8202205000	OIL MANAGEMENT				1
15	B9121012000	OIL CAN				1
16	21379003	OIL MANAGEMENT WASHER				1
17	B8112220000	OIL SEAL				1
18	SM3031401SE	SCREW M3X0.5 L=14				4
19	WP0320501SC	WASHER M3				4
20	10748101	OIL REMOVING SETSCREW PACKING				8
21	NM6030001SC	NUT M3				4
22	10539906	SET NAIL				6
23	MAV02130000	EDGING				1

THREAD STAND COMPONENTS



THREAD STAND COMPONENTS

No.	Parts No.	Parts name	Remarks	Level	Cons	Qty
1	40096354	THREAD STAND ASM.				1

HOW TO MAKE USE OF THIS PARTS LIST

1.As to "#01" and "#02" refer to the "Note" given at the bottom of the respective pages.

2.Codes on the "Qty" column

- Each numeral indicates the number of parts required.
- "0.1" and "2.5" indicate the length (in meters) of the respective parts.

3.Parentheses mean that the corresponding part is a subpart that constructs an assembly part.

4.Dotted lines on the Figures indicate assembly parts.

1. リストページの# 0 1、# 0 2の印は、ページ下の"注記"の説明を参照下さい。
2. 数量欄の数字は、個数を表し、0. 1、2. 5等の数値は、長さ（単位メートル）を表します。
3. 数量欄の（ ）は、組部品を構成している子部品であることを意味します。
4. イラストページの-----枠は、組構成であることを意味します。

NUMERICAL INDEX OF PARTS

PART NO	PAGE	REF NO.	PART NO	PAGE	REF NO.	PART NO	PAGE	REF NO.
10201200	4	48	21337803	14	23	21357959	28	3
10205201	14	16	21337902	14	27	21357967	28	1
10308609	8	9	21338207	16	48	21358205	28	9
10320109	24	3	21338306	14	25	21364104	14	6
10320208	24	6	21338603	8	16	21378302	10	5
10321107	24	19~21	21338801	8	19	21378302	14	9
10337905	12	57	21338900	8	18	21378708	28	29
10502300	28	21	21339007	8	29	21379003	32	16
10503605	20	61	21339056	8	28	21387402	6	24
10509701	10	21	21339106	6	9	21388004	16	56
10539906	32	22	21339304	8	25	21388400	8	14
10618304	28	8	21339700	30	27	21401302	2	42
10704807	28	19	21340401	10	1	21401401	2	43
10748101	32	20	21340500	10	2	21401500	2	44
10755205	32	11	21340708	30	11	21401906	6	3
10755254	32	10	21340906	10	42	21402300	6	27
11009909	14	38	21341151	10	46	21402409	18	25·77
11038809	18	20	21341904	10	4	21402508	18	35·76
13138201	24	9	21342605	26	3	21402607	18	41
14512503	28	17	21343108	26	26	21402706	18	39
17912106	2	28	21343157	26	24	21402805	20	52
21331202	2	10	21343355	26	15	21403001	18	46
21331301	2	4	21345707	30	2	21403506	18	1·2
21331608	2	20	21345756	30	1	21403605	18	1·2
21331756	2	9	21345806	30	3	21403902	20	8·69~ 71·74
21331806	2	11	21345905	30	4	21404009	18	8·69~ 71·74
21332002	2	12	21346002	30	18	21404108	20	8·69~ 71·74
21332309	2	18	21346309	30	6	21404207	20	8·69~ 71·74
21332507	6	12	21346358	30	5	21404306	20	8·69~ 71·74
21332705	6	1	21346408	30	8	21404405	18	37
21333000	6	2	21346507	30	7	21404504	22	1
21333109	6	17	21347000	30	14	21404603	22	6
21333406	6	32	21347109	10	12	21405006	14	1·47
21333505	20	54	21347208	30	16	21405105	18	26·75
21334008	6	30	21347406	8	31	21405204	8	2
21336300	16	51	21348206	24	19~21	21405303	18	31
21336607	14	43	21351002	32	3	21405501	20	26·75
21336656	14	42	21351101	32	2	21405600	26	12
21336805	14	36	21351150	32	1	21405709	26	10
21337209	14	34	21351200	32	4	21405808	26	4
21337308	14	29	21353008	6	22	21405907	26	6
21337407	14	22	21355706	28	24	21406004	26	2
21337506	14	19	21355755	28	23			
21337605	14	31	21355904	2	6			
21337704	14	20	21356001	28	6			

NUMERICAL INDEX OF PARTS

PART NO	PAGE	REF NO.	PART NO	PAGE	REF NO.	PART NO	PAGE	REF NO.
21406053	26	1	22934400	26	28	B1112241H00	2	37
21406103	12	48	22934509	26	27	B1112241HA0	2	36
21406509	10	27	22934707	26	23	B1132521000	2	29
21406608	12	49	22945505	28	27	B1148555000	28	11
21407309	16	49	22945703	28	30	B1155141H00	18	6
21407408	16	64	23006406	24	19~21	B1203512000	6	29
21407507	30	22	23618101	18	30	B1210051000	6	10
21407606	30	23	23618200	18	28	B1214019000	20	55
21407705	30	24	23618408	18	33	B1305055000A	20	56
21407804	18	7	23636202	28	5	B1307055000	20	57
21408505	2	27	26225201	10	28	B1308055000	20	58
21408554	2	26	40011400	14	32	B1310055000	20	60
21409909	24	17	40016798	2	1	B1312563000A	20	48
21410006	2	34	40018339	10	15	B1313055000	20	51
21413000	32	13	40018340	10	14	B1314055000	20	62
21437900	10	36	40018341	10	22	B1401053000	8	5
22537658	28	2	40019905	6	36	B1410771000	8	21
22538151	28	4	40019907	14	1~47	B1411053000	8	6
22538706	28	32	40019908	16	58·59·61	B1412051000	8	7
22604300	6	26	40019910	16	58·59·61	B1412051000	30	19
22604904	6	34	40019911	16	58·59·61	B1414232000	8	22
22605406	6	4	40019926	16	62	B1414555000	10	20
22609309	14	11	40026828	20	35·76	B1418761000	14	44
22609408	14	8	40027746	8	26	B1420563000	8	1
22617906	24	10	40033026	10	11	B1437051000	8	24
22619100	4	49	40033029	10	18	B1462053000	10	47
22620504	30	30	40033030	10	23	B14670530A0	10	24
22623201	20	67·78	40033031	10	40	B1467563000	8	12
22814909	8	27	40033032	10	39	B1468053000	10	25
22863203	26	18	40038711	16	63	B1470241H00	12	51
22863252	26	17	40038712	16	65	B1471241H00	12	52
22901805	4	52	40082634	20	25·77	B1501241H00	12	53
22904106	10	7	40096354	34	1	B1502246000	10	44
22904106	14	14	40103059	24	1	B1510155000	12	54
22904155	10	6	40103060	24	2	B1525241H00	12	56
22904155	14	13	40108674	2	22	B1525241HA0	12	55
22907604	10	43	40108675	2	24	B152989000CA	28	7
22912000	14	40	40113092	28	28	B1604012000A	14	2
22912109	14	41	40113224	20	59	B1639051000	20	50
22921308	24	12	40143190	20	67·78	B1802141H00A	18	4
22921407	24	15	40152631	2	3	B1803141H00	18	10
22932404	26	22	40197296	6	20	B1805241H00	22	2
22932453	26	21	40197297	6	15	B1806241H00	22	4
22934202	26	29	A1111007000	2	38	B1810241H00	22	8
22934301	26	30	B1103141H00	2	40	B1829241H00	18	21

NUMERICAL INDEX OF PARTS

PART NO	PAGE	REF NO.	PART NO	PAGE	REF NO.	PART NO	PAGE	REF NO.
B1830241HA0	18	15-16	M1351731600	8	11	SM9061203SE	26	25
B1830241SA0	18	15-16	MAV02130000	32	23	SS2090710TP	2	31
B1834512000A	18	23	NM6030001SC	32	21	SS2110920TP	2	35
B1837241H00	18	18-19	NM6050001SD	26	9	SS3090610SP	30	17
B1837241S00	18	18-19	NS6110310SP	28	26	SS4080620TP	16	60
B1906051000	6	6	NS6110530SP	10	35	SS4080620TP	24	7
B3127051000	24	8	NS6110530SP	18	24	SS4110815SP	2	19
B3128051000	24	4	NS6680320SP	14	18	SS4111015SP	2	45
B3129053000	24	11	PS0600502KP	24	16	SS4111215SP	2	2
B3134521000	24	13	RC0560711KP	28	12	SS4150915SP	4	53
B31370510A0	24	5	RE0500000K0	20	49	SS5090610SP	2	23
B3138512000	2	32	RE0500000K0	28	13	SS5110740TP	32	9
B3205210000	28	10	RE0500711KP	14	4	SS6060210SP	2	39
B3428521000	26	19	RE0900000K0	16	55	SS6090520SP	28	16
B8112220000	32	17	RO092270200	14	39	SS6090620TP	18	32
B8202205000	32	14	RO092270200	28	14	SS6090620TP	28	22
B9117201000	18	17	SB32000060A	18	29-72-73	SS6090910TP	12	50
B9121012000	32	15	SB32000060B	20	29-72-73	SS6091022TP	8	17
BT0500300EA	30	21	SB32000060C	20	29-72-73	SS6110480SP	30	10
CM300200001	4	51	SD0380551SL	2	30	SS6110810TP	28	18
CM301300001	4	50	SD0450401SP	26	7	SS6111010SP	30	25
CQ200000000	18	3	SD0470281SP	24	14	SS6111610SP	14	33
CQ202000000	6	18	SD0640322TP	20	65	SS6111620SP	18	22
CQ202000000	8	23	SD0700451TP	26	14	SS6120930TP	16	57
CQ202000000	14	45	SD0790451SP	26	13	SS6121610TP	14	12
CQ202000000	30	26	SD0800402TP	14	30	SS6121860SP	14	37
CQ252000000	10	31	SD0800481SP	10	45	SS6151440SP	32	5
CQ252000000	30	20	SD0900701TP	14	17	SS6151780SP	10	26
CQ303000000	6	7	SD1000801SH	16	50	SS6151920SP	10	29
CQ505000000	6	11	SK3482500SC	32	12	SS6152440SP	8	30
CS0640860SH	22	10	SM3031401SE	32	18	SS6153040SP	32	6
CS0640863SH	22	11	SM6040800SP	28	31	SS6661110SP	6	25
CS0791010SH	18	12	SM6051202TP	22	5	SS6661110SP	20	68
CS0791016SH	18	13	SM6052002TP	26	11	SS7080510TP	8	10
CS0950810SH	18	43	SM6061802TP	14	35	SS7090510SP	26	20
CS0950816SH	18	44	SM6062502TP	10	37	SS7090520TP	2	33
CS1201010SH	16	52	SM6062502TP	26	16	SS7090610SP	14	26
CS1201011SH	16	53	SM8050512TP	14	5	SS7090910SP	8	8
D1455055B00	10	33	SM8050602TP	22	3	SS7090910TP	14	28
D1456055B00	10	32	SM8050602TP	28	20	SS7091410SP	28	15
D3162555B00	28	25	SM8050612TP	14	46	SS7110510SP	10	19
D8232241E00	32	7	SM8052502TP	26	8	SS7110510SP	30	12
EA9500B0000	10	13	SM8060602TP	6	28	SS7110710SP	6	23
EA9500B0000	30	31	SM8080802TP	8	20	SS7110710SP	16	67
EA9500B0100	8	32	SM8080812TP	6	14	SS7110720SP	2	41

NUMERICAL INDEX OF PARTS

PART NO	PAGE	REF NO.	PART NO	PAGE	REF NO.
SS7110740TP	18	34	WP0482086SD	10	34
SS7110830SP	8	15	WP0501046SC	10	17
SS7110840SP	32	8			
SS7110910TP	8	13			
SS7110910TP	10	41			
SS7110910TP	14	66			
SS7110910TP	16	66			
SS7110910TP	24	18			
SS7111120TP	30	28			
SS7111410TP	14	7			
SS7150740SP	10	30			
SS7150910TP	2	21			
SS7621040SP	2	7			
SS8090540SP	20	66			
SS8110410TP	18	45			
SS8110422TP	18	14			
SS8110510SP	22	12			
SS8111010TP	10	38			
SS8150710TP	6	19			
SS8150710TP	10	9			
SS8150710TP	18	53			
SS8150710TP	20	53			
SS8150710TP	22	9			
SS8150822TP	6	31			
SS8150822TP	14	24			
SS8150822TP	18	11			
SS8151150TP	8	3			
SS8151150TP	14	10			
SS8151150TP	18	27			
SS8151550SP	6	33			
SS8660610TP	10	8			
SS8660610TP	14	54			
SS8660610TP	16	54			
SS8660610TP	18	9			
SS8660612TP	10	3			
SS8660612TP	18	40			
SS8660810TP	6	37			
TA0750704R0	2	15			
TA0750704R0	6	35			
TA0750704R0	10	10			
TA1050504R0	2	47			
TA1250504R0	2	16			
TA1450404R0	2	8			
WP0320501SC	32	19			
WP0450801SD	30	29			