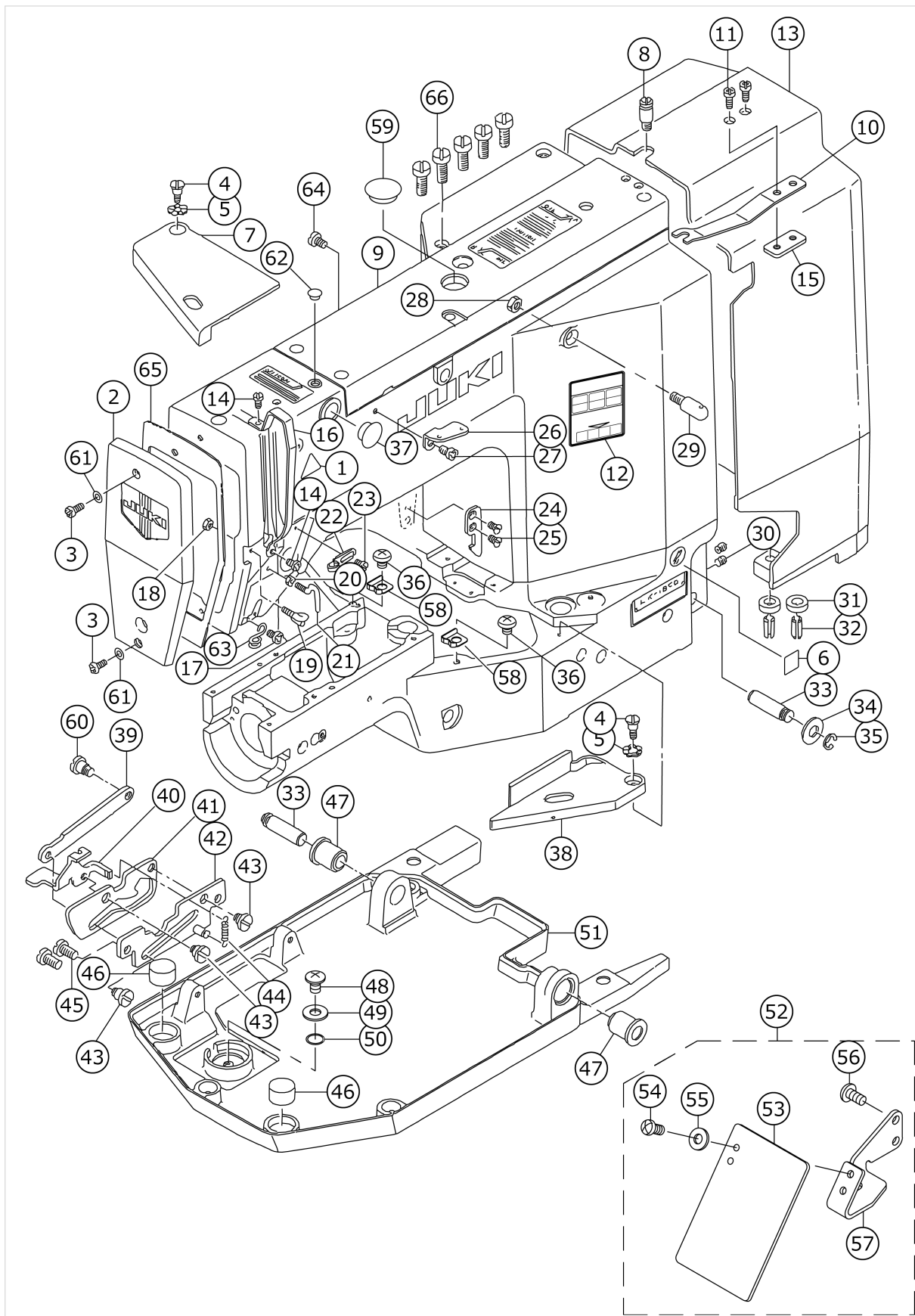


LK-1850 SERIES

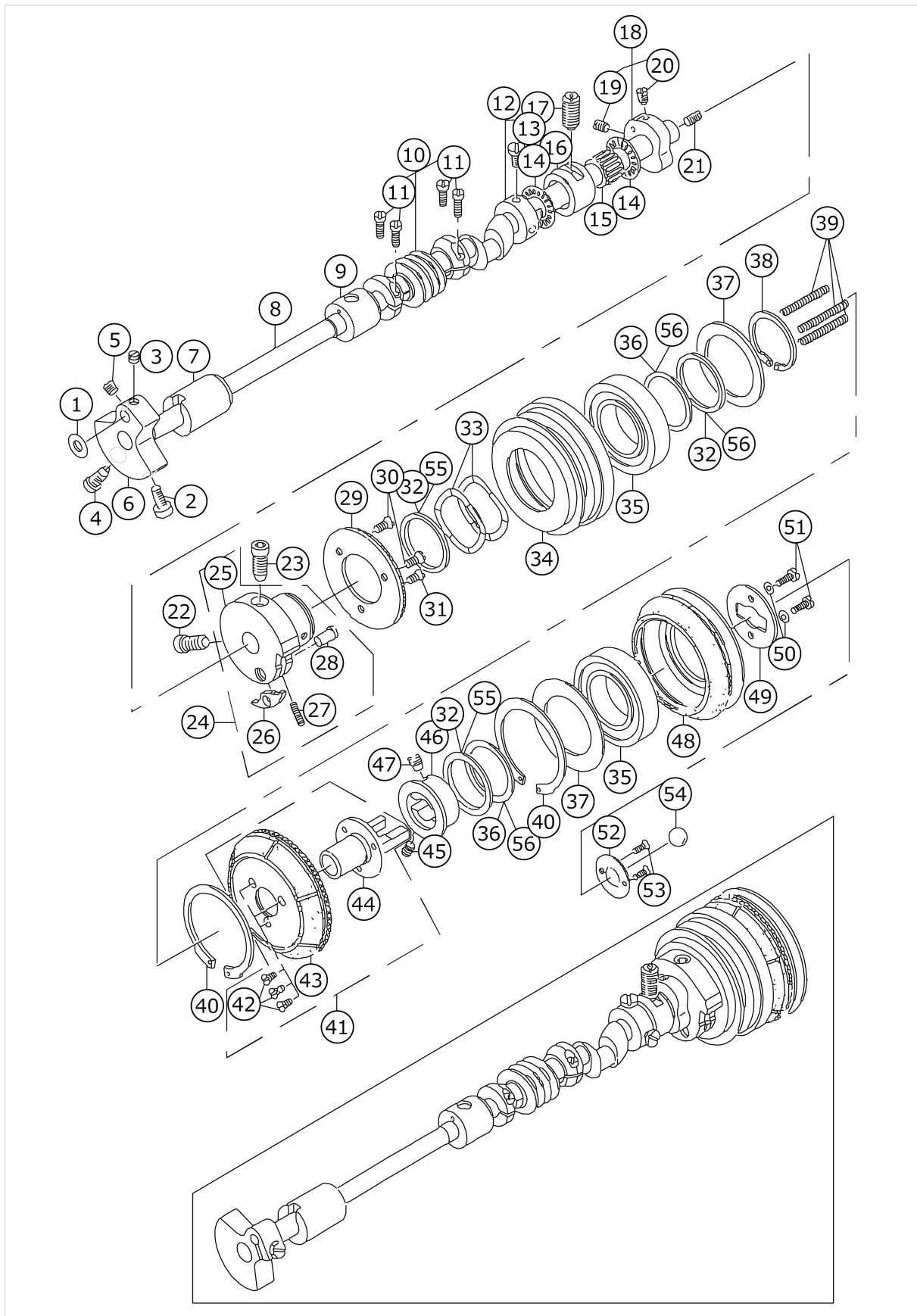
FRAME & MISCELLANEOUS COVER COMPONENTS



No.	品番	品名	備考	子部品	消耗品	個数
1	CM300200001	ATTENTION SEAL				1.00
2	26211755	FACE COVER ASM.				1.00
3	SS4111015SP	SCREW 11/64-40 L=10				2.00
4	SD0640471SP	HINGE SCREW D= 6.35 H= 4.7				2.00
5	WZ0641510KP	WAVED WASHER 6.4X11X0.3				2.00
6	CM600100101	WEEE MARK LABEL S	FOR JE			1.00
7	26211300	BED COVER B				1.00
8	26212308	SCREW				1.00
9	13816509	TOP COVER				1.00
10	40023026	BELT COVER FIXING PLATE				1.00
11	SS4110915SP	SCREW 11/64-40 L=9				2.00
12	CM301200001	SAFETY LABEL_S				1.00
13	13505805	BELT COVER				1.00
14	SS4090715SP	SCREW 9/64-40 L=7				2.00
15	40023027	BELT COVER PLATE				1.00
16	26211607	BALANCE COVER				1.00
17	SS7110840SP	SCREW 11/64-40 L=7.8				1.00
18	NS6090310SP	NUT 9/64-40				1.00
19	B3114771000	THREAD GUIDE				1.00
20	NS6090310SP	NUT 9/64-40				1.00
21	26212209	L-SHAPED THREAD GUIDE				1.00
22	13706601	TAKE-UP THREAD GUIDE, A				1.00
23	SS3090610SP	SCREW 9/64-40 L=6				1.00
24	26211805	BED FITTING HOOK				1.00
25	SS1110821TP	SCREW 11/64-40 L=8.3				2.00
26	26211904	THREAD GUIDE PLATE				1.00
27	SS4150715SP	SCREW 15/64-28 L=7				1.00
28	NS6150540SP	NUT 15/64-28				1.00
29	26212001	FIRST THREAD GUIDE				1.00
30	SS8150822TP	SCREW 15/64-28 L=8				2.00
31	26210708	RUBBER WASHER				2.00
32	PS0800202KH	SPRING PIN 8X20				2.00
33	26217703	BASE CONNECTING PIN				2.00
34	WP1052000SC	WASHER 10.5X18X2				1.00
35	RE0600000K0	E-RING 6				1.00
36	SS4150715SP	SCREW 15/64-28 L=7				2.00
37	TA1470704R0	RUBBER PLUG				1.00
38	26211201	BED COVER A				1.00
39	26210203	STAY				1.00
40	26210500	BED ROCKER				1.00
41	26210302	STAY ROCKER				1.00
42	26210450	STAY GUIDE COMPL.				1.00
43	SD0800341SP	HINGE SCREW D=8 H=3.4				3.00
44	B2008372000	THREAD TENSION SPRING				1.00
45	SS7151210SP	SCREW 15/64-28 L=12				2.00
46	26210104	VIBRATION PROOF RUBBER				2.00
47	26210005	RUBBER BUSH				2.00
48	SM0040601SA	SCREW M4 L=6				1.00
49	WP0450801SD	WASHER 4.5X10X0.8				1.00
50	RO044240100	RUBBER RING				1.00

51	13500319	BED FITTING BASE				1.00
52	40052806	SAFETY PLATE ASM.				1.00
53	26037200	SAFETY PLATE		*		1.00
54	SM4040655SP	SCREW M4 L=6		*		2.00
55	WP0450801SD	WASHER 4.5X10X0.8		*		2.00
56	SS4110715SP	SCREW 11/64-40 L=7		*		2.00
57	40051987	SAFETY PLATE INSTALLING BASE		*		1.00
58	26211409	SPRING				2.00
59	TA2050406R0	RUBBER PLUG				1.00
60	SD0800681SP	HINGE SCREW D=8 H=6.8				2.00
61	WP0480856SP	WASHER 4.8X8.4X0.8				2.00
62	TA0750704R0	RUBBER PLUG				1.00
63	26212100	ARM THREAD GUIDE B				1.00
64	SS7110710SP	SCREW 11/64-40 L=7				1.00
65	13502307	FACE PACKING				1.00
66	SS6151220SP	SCREW 15/64-28 L=11.5				5.00

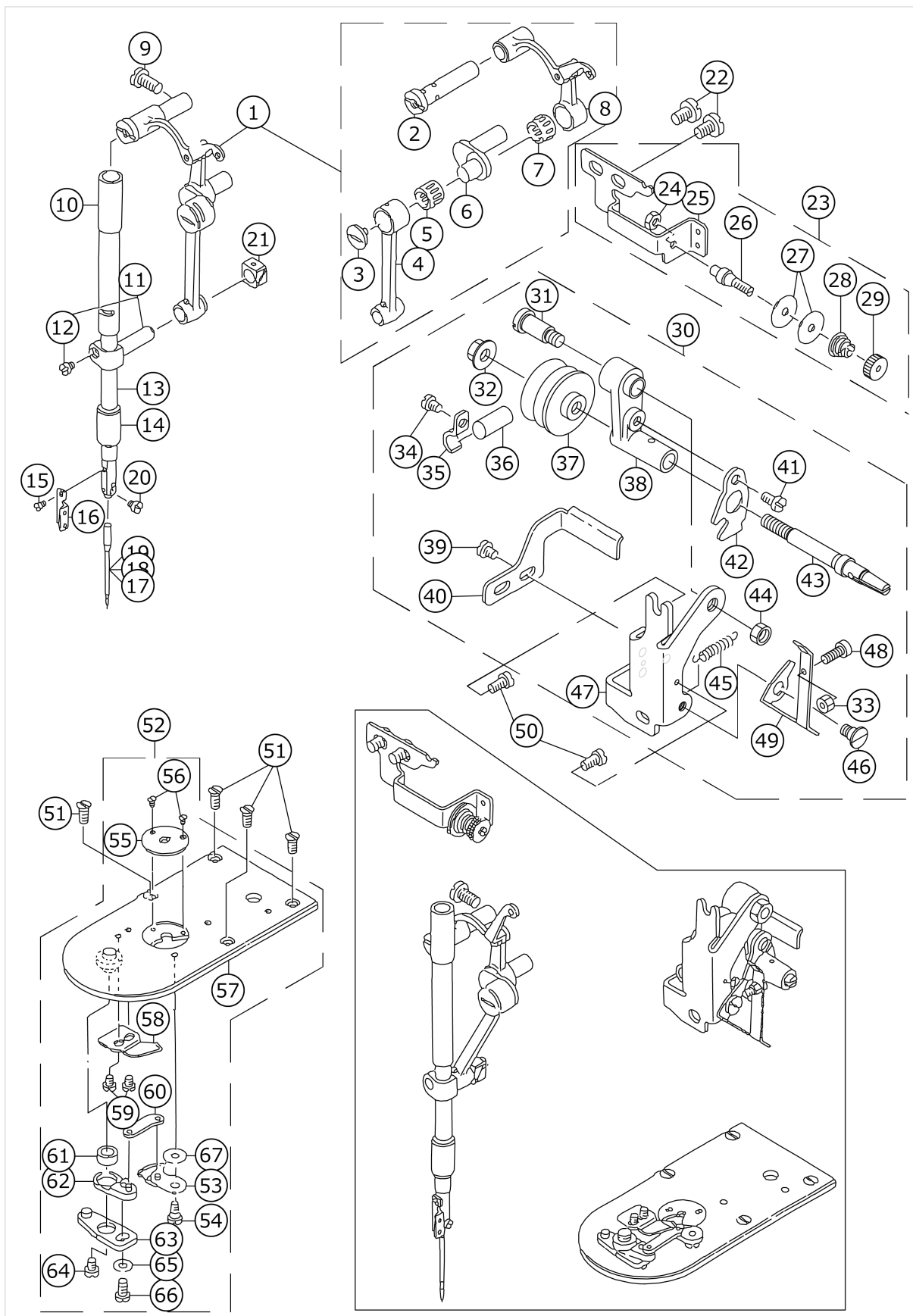
MAIN SHAFT COMPONENTS



No.	品番	品名	備考	子部品	消耗品	個数
1	B1223771000	NEEDLE ROD CRANK WASHER				1.00
2	SS6151412TP	SCREW 15/64-28 L=14				1.00
3	SS8660530TP	SCREW 1/4-40 L= 4.5				1.00
4	SS6681712TP	SCREW 9/32-28 L=16.5				1.00
5	SS8660610TP	SCREW 1/4-40 L=6				1.00
6	B1202280000	COUNTER WEIGHT				1.00
7	26212704	UPPER SHAFT FRONT METAL				1.00
8	26212605	MAIN SHAFT				1.00
9	26212803	UPPER SHAFT INNER METAL				1.00
10	13510367	WORM ASM.				1.00
11	SS7111410TP	SCREW 11/64-40 L=14		*		4.00
12	CS150111BTH	THRUST COLLAR ASM. D=15 W=10.8				1.00
13	SS6661110SP	SCREW 1/4-40 L=11		*		1.00
14	B1211980000	UPPER SHAFT THRUST BEARING				2.00
15	B120898000B	MAIN SHAFT NEEDLE BEARING B	SELECTIVE PARTS			1.00
16	26214403	UPPER SHAFT REAR METAL				1.00
17	B1210980000	SET SCREW				1.00
18	13503453	THREAD CUTTING CAM ASM.				1.00
19	SS8661012TP	SCREW		*		1.00
20	SS8661212TP	SCREW		*		1.00
21	SS8151230SP	SCREW 15/64-28 L=12				1.00
22	SS6741512TP	SCREW 3/8-28 L=14.5				1.00
23	SS6742012TP	SCREW 3/8-28 L=19.5				1.00
24	13503552	STOP-MOTION CAM ASM.				1.00
25	13503503	STOP-MOTION CAM		*		1.00
26	B1215980000	STOP MOTION CAM LATCH		*		1.00
27	B1217280000	SAFETY PLATE STOPPER SPRING		*		1.00
28	13503602	PIN		*		1.00
29	13503750	HIGH SPEED CLUTCH PLATE ASM.				1.00
30	SS2110920TP	SCREW 11/64-40 L=8.5				2.00
31	SS1110640TP	SCREW 11/64-40 L= 5.5				1.00
32	26213306	SPACER	SELECTIVE PARTS			3.00
33	13503909	SPRING				2.00
34	13504204	HIGH SPEED PULLEY				1.00
35	SB135000200	BEARING D=35X62				2.00
36	13504907	SHIM	UP TO 6 PCS OF THIS PLATE ARE USED AS REQUIRED.			6.00
37	13504303	WASHER				2.00
38	RC3221517KP	RETAINING RING 32.2				1.00
39	13504105	SLOW SPEED PULLEY SPRING				3.00
40	RC6622018KP	RETAINING RING 66.2				2.00
41	13504451	PULLEY ASM.				1.00
42	SS1110640TP	SCREW 11/64-40 L= 5.5		*		3.00
43	13504402	PULLEY		*		1.00
44	13504501	PULLEY SHAFT		*		1.00
45	SS8660612TP	SCREW 1/4-40 L=6				1.00

46	13504600	SLOW SPEED PULLEY SHAFT				1.00
47	SS8661112TP	SCREW 1/4-40 L=11				1.00
48	13504709	SLOW SPEED PULLEY				1.00
49	26213801	SLOW SPEED PULLEY PLATE				1.00
50	WS0451040KP	SPRING WASHER 4.5X8.5X1				2.00
51	SS7111120TP	SCREW				2.00
52	26213900	BALL RETAINER				1.00
53	SS2090710TP	SCREW 9/64-40 L=7.2				2.00
54	B1253980000	STOP-MOTION BALL				1.00
55	26214007	PULLEY SPACER	SELECTIVE PARTS			3.00
56	13505102	REGULATOR SHIM	UP TO 6 PCS OF THIS PLATE ARE USED AS REQUIRED.			6.00

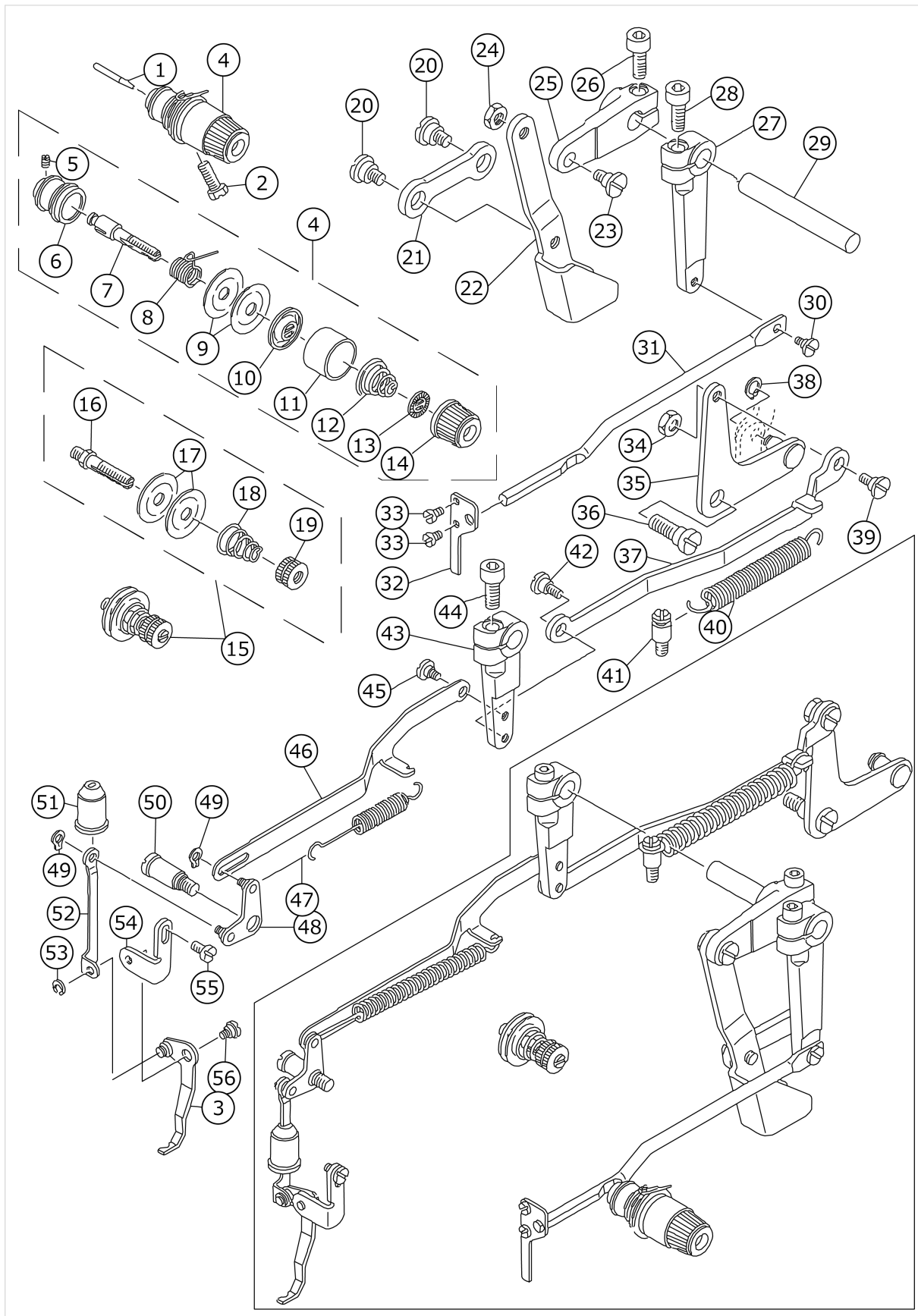
NEEDLE BAR COMPONENTS



No.	品番	品名	備考	子部品	消耗品	個数
1	B19012800B0	LINK BALANCE ASM.				1.00
2	B1904280000	BALANCE CRANK PIN		*		1.00
3	B1903552000	LEFT SCREW		*		1.00
4	B1404280000	NEEDLE BAR CRANK ROD		*		1.00
5	B1411804C00	NEEDLE DRIVING LEVER BEARING C		*		1.00
6	B1203280000	NEEDLE ROD CRANK		*		1.00
7	B1905541B00	NEEDLE BEARING		*		1.00
8	B19012800A0	BALANCE ASM.		*		1.00
9	SS7151120SP	SCREW 15/64-28 L=11				1.00
10	26203208	NEEDLE ROD METAL				1.00
11	B14115520A0	NEEDLE BAR CONNECTING ASM.				1.00
12	SS6090670TP	SCREW 9/64-40 L=6		*		1.00
13	26200006	NEEDLE BAR				1.00
14	B1403280000	NEEDLE ROD LOWER METAL				1.00
15	SS2060510SP	SCREW 3/32-56 L=4.5				1.00
16	26215301	NEEDLE BAR THREAD GUIDE				1.00
17	MDP500B1400	NEEDLE DPX5 #14	FOR USE IN JAPAN			1.00
18	MDP500B1600	NEEDLE DPX5 #16	EXPORT (EXCEPT JE)			1.00
19	MC200501000	NEEDLE #100	SPECIAL ORDER PARTS			1.00
20	SS6080340SP	SCREW 1/8-44 L=2.9				1.00
21	B1414232000	SQUARE BLOCK				1.00
22	SS4150915SP	SCREW 15/64-28 L=9				2.00
23	26203455	THREAD GUIDE BRACKET COMPL.				1.00
24	NS6110310SP	NUT 11/64-40		*		1.00
25	26203406	THREAD GUIDE BRACKET		*		1.00
26	26216705	BOBBIN WINDER TENSION POST		*		1.00
27	B3214047000	BOBBIN WINDER TENSION DISC		*		2.00
28	26216606	BOBBIN WINDER TENSION SPRING		*		1.00
29	26216507	BOBBIN WINDER TENSION NUT		*		1.00
30	26201152	BOBBIN WINDER ASM.				1.00
31	SD0791331SP	HINGE SCREW D= 7.94 H=13.3		*		1.00
32	26202705	NUT		*		1.00
33	26202408	NUT		*		1.00
34	26202309	SCREW		*		1.00
35	26202101	BRAKE PRESSER PLATE		*		1.00
36	26202002	BOBBIN WINDER BRAKE		*		1.00
37	26201400	BOBBIN WINDER WHEEL		*		1.00
38	26201103	BOBBIN WINDER SHAFT HOLDER		*		1.00
39	26202309	SCREW		*		1.00
40	26201608	BOBBIN WINDER BELT SUPPORT		*		1.00
41	26202200	SCREW		*		1.00
42	26201202	BOBBIN WINDER TRIP LATCH		*		1.00
43	26201707	BOBBIN WINDER SHAFT		*		1.00
44	26202507	NUT		*		1.00
45	26201806	SPRING		*		1.00
46	SD0720193SP	HINGE SCREW D= 7.24 H= 1.9		*		1.00
47	26201301	BOBBIN WINDER FITTING PLATE		*		1.00

48	26201905	BOBBIN PRESSER BOSS		*		1.00
49	26201509	BOBBIN PRESSER		*		1.00
50	SS4110915SP	SCREW 11/64-40 L=9				2.00
51	SS1110640TP	SCREW 11/64-40 L= 5.5				4.00
52	13515556	NEEDLE PLATE ASM.				1.00
53	B24212800A0	MOVING KNIFE ASM.		*		1.00
54	SD0500091TP	HINGE SCREW D= 5.0 H= 0.9		*		1.00
55	B2426280000	NEEDLE HOLE GUIDE		*		1.00
56	SS1060210TP	SCREW 3/32-56 L=2.2		*		2.00
57	13515564	NEEDLE PLATE ASM.		*		1.00
58	B2424280000	FIXING KNIFE		*		1.00
59	SS7090410SP	SCREW 9/64-40 L= 3.5		*		2.00
60	B2418280000	MOVING KNIFE LINK		*		1.00
61	B2416280000	THREAD CUTTING LEVER RING		*		1.00
62	B24152800A0	THREAD CUTTER LEVER ASM., SMALL		*		1.00
63	B24142800A0	THREAD CUTTER LEVER ASM., LARGE		*		1.00
64	SS6110430TP	SCREW 11/64-40 L= 4.0		*		1.00
65	WP0450846SP	WASHER		*		2.00
66	SS7110740TP	SCREW 11/64-40 L=7		*		1.00
67	B242328000C	MOVING KNIFE WASHER C	SELECTIVE PARTS	*		1.00

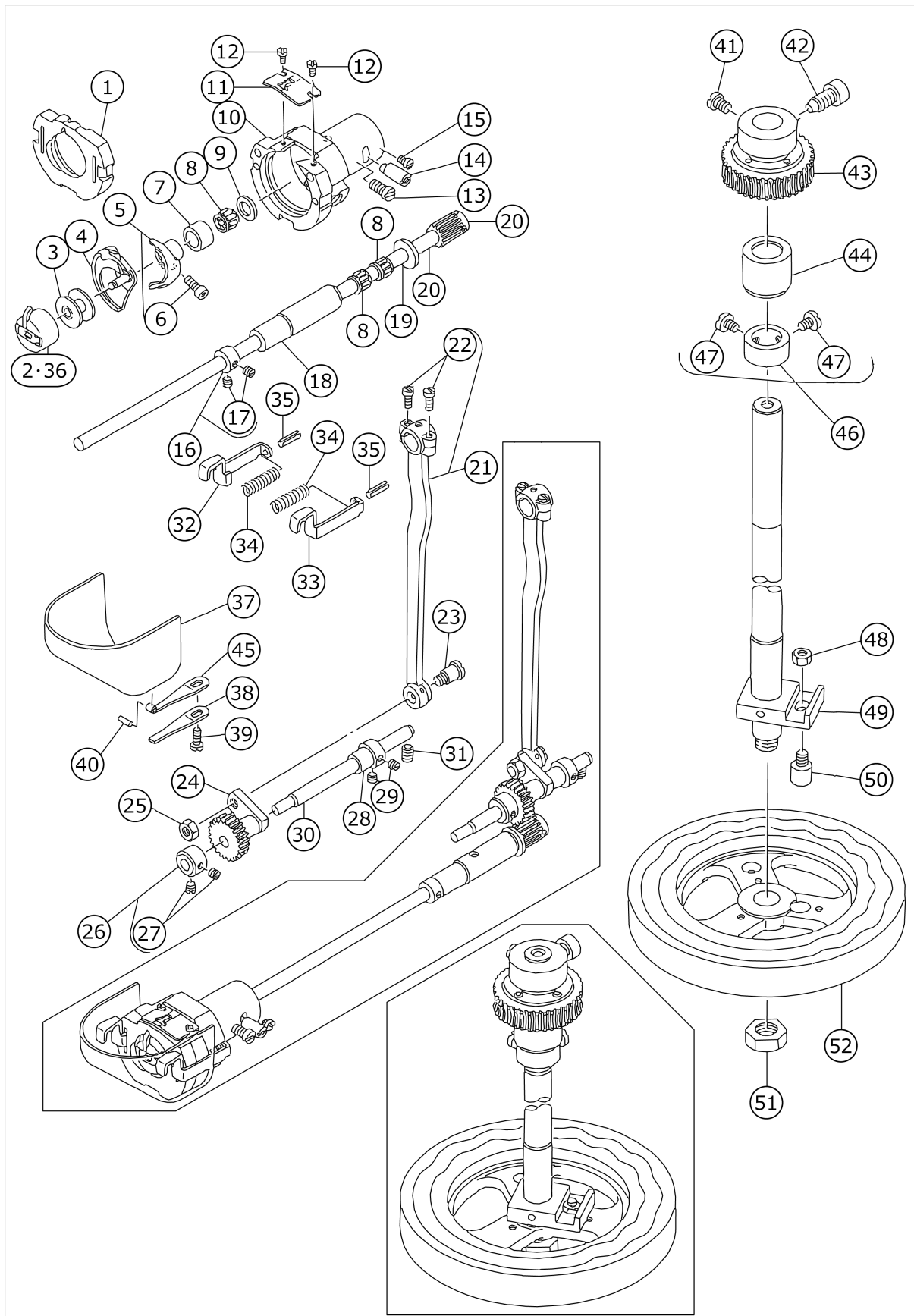
THREAD TENSION RELEASE COMPONENTS



No.	品番	品名	備考	子部品	消耗品	個数
1	B2303280000	TENSION RELEASE PIN				1.00
2	SS9151740CP	SCREW 15/64-28 L=17				1.00
3	26218859	WIPER ASM.				1.00
4	B23022800A0	SECOND THREAD TENSION ASM.				1.00
5	SS8090610SP	SCREW 9/64-40 L=5.9		*		1.00
6	B2313280000	THREAD TENSION ROD, LARGE		*		1.00
7	B2302280000	SECOND THREAD TENSION ROD		*		1.00
8	B3112761000	THREAD TAKE-UP SPRING		*		1.00
9	B3126012000	THREAD TENSION DISK		*		2.00
10	B3132552000	THREAD TENSION DISK PRESSER		*		1.00
11	B3107804000	THREAD TENSION DISK PRESSER		*		1.00
12	B3114232000	THREAD TENSION SPRING		*		1.00
13	B3120125000	ROTATING STOPPER		*		1.00
14	B3119771000	THREAD TENSION NUT		*		1.00
15	26218651	FIRST THREAD TENSION ASM.				1.00
16	26220400	THREAD TENSION ROD		*		1.00
17	B3126012000	THREAD TENSION DISK		*		2.00
18	26218602	FIRST THREAD TENSION SPRING		*		1.00
19	B3125012000	THREAD TENSION NUT		*		1.00
20	SD1000401SP	HINGE SCREW D=10 H=4				2.00
21	26217109	CONNECTING LINK				1.00
22	26204602	LOWERING FOOT				1.00
23	SD0790601SP	HINGE SCREW D=7.94 H=6				1.00
24	NS6150310SP	NUT 15/64-28				1.00
25	13506217	LOWERING ARM				1.00
26	SM6061802TP	SCREW M6 L=18				1.00
27	13513114	TENSION RELEASE ARM				1.00
28	SM6061802TP	SCREW M6 L=18				1.00
29	26216903	SHAFT				1.00
30	SD0530221SP	HINGE SCREW D= 5.3 H=2.2				1.00
31	26501304	TENSION RELEASE BAR				1.00
32	26218404	THREAD TENSION ARM				1.00
33	SS7090620TP	SCREW 9/64-40 L=6.1				2.00
34	NS6150310SP	NUT 15/64-28				1.00
35	13506852	LOWERING CONNECTING LEVER ASM.				1.00
36	SD0901201TP	HINGE SCREW D=9 H=3.2				1.00
37	26217208	LOWERING CONNECTING RING				1.00
38	RC0740811KP	C-RING				1.00
39	SD0720331SP	HINGE SCREW D= 7.24 H= 3.3				1.00
40	13506704	TENSION SPRING				1.00
41	26220707	SPRING HOOK				1.00
42	SD0640391TP	HINGE SCREW D= 6.35 H= 3.9				1.00
43	13506415	CONNECTING ARM				1.00
44	SM6061802TP	SCREW M6 L=18				1.00
45	SD0530221SP	HINGE SCREW D= 5.3 H= 2.2				1.00
46	26217802	WIPER CONNECTING LINK				1.00
47	26218008	SPRING				1.00
48	26204453	WIPER CONNECTING ARM ASM.				1.00
49	RC0470611KP	RETAINING RING 4.7				2.00
50	B2109280000	WIPER CONNECTING SCREW				1.00

51	13509807	OIL SHIELD CAP				1.00
52	26217901	WIPER CONNECTING PLATE				1.00
53	B1229232000	SNAP RING				1.00
54	13574009	WIPER BASE PLATE				1.00
55	SS4110815SP	SCREW 11/64-40 L=8				1.00
56	SD0640211SP	HINGE SCREW D= 6.35 H= 2.1				1.00

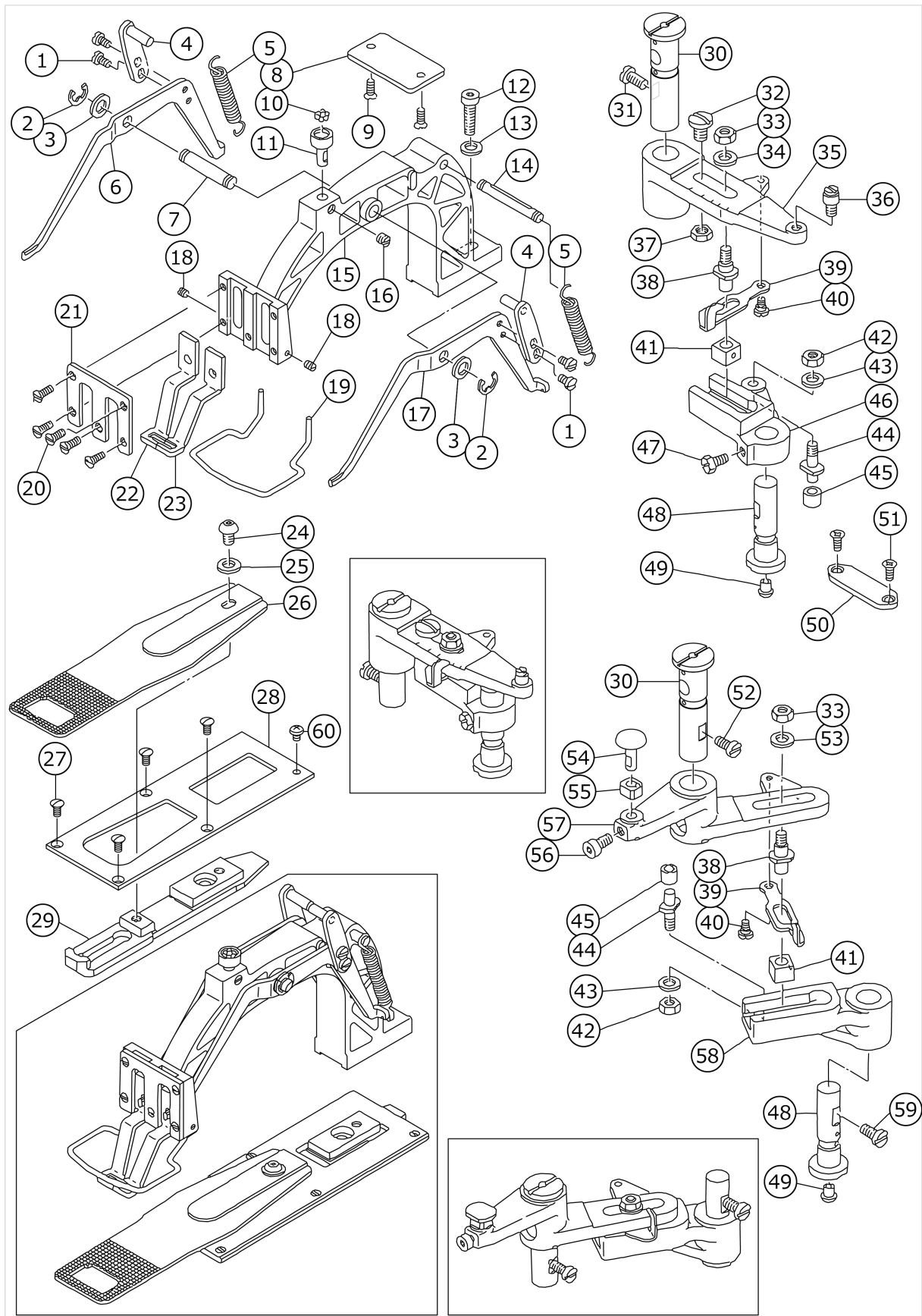
SHUTTLE DRIVER SHAFT COMPONENTS



No.	品番	品名	備考	子部品	消耗品	個数
1	B18172800A0	INNER HOOK PRESSER ASM.				1.00
2	B18289800AB	BOBBIN CASE ASM.				1.00
3	26233106	BOBBIN				1.00
4	26204909	INNER HOOK				1.00
5	40028681	DRIVER ASM.				1.00
6	SS6121212TP	SCREW 3/16-28 L=12.0		*		1.00
7	B1813980000	SHUTTLE NEEDLE OUTER RING				1.00
8	B1411804B00	NEEDLE DRIVING LEVER BEARING B	SELECTIVE PARTS			3.00
9	WP0952616SD	WASHER 9.5X14.8X2.6				1.00
10	B1814980000	SHUTTLE				1.00
11	26222109	SHUTTLE UPPER SPRING				1.00
12	SS6060410TP	SCREW 3/32-56 L= 3.5				2.00
13	SS6151220SP	SCREW 15/64-28 L=11.5				1.00
14	26222208	SHUTTLE RACE ADJUSTING SHAFT				1.00
15	SS6110480SP	SCREW 11/64-40 L=4.3				1.00
16	CS080081CSH	THRUST COLLAR ASM. D=8.0 W=8				1.00
17	SS8110520TP	SCREW 11/64-40 L= 4.5		*		2.00
18	13508403	LOWER SHAFT REAR METAL				1.00
19	B1808980000	LOWER SHAFT THRUST WASHER				1.00
20	13509153	LOWER SHAFT GEAR A ASM.	SELECTIVE PARTS			1.00
21	13508155	CRANK ROD ASM.				1.00
22	SS7111110TP	SCREW 11/64-40 L=10.5		*		2.00
23	SD0801021TP	HINGE SCREW D= 8 H=10.2				1.00
24	B1805980000	OSCILLATOR				1.00
25	NS6660430SP	NUT 1/4-40				1.00
26	CS079101ASH	THRUST COLLAR ASM. D=7.94 W=10				1.00
27	SS8110520TP	SCREW 11/64-40 L= 4.5		*		2.00
28	26221804	THRUST COLLAR				1.00
29	SS8110520TP	SCREW 11/64-40 L= 4.5				2.00
30	26203901	OSCILLATING SHAFT				1.00
31	SS8150822TP	SCREW 15/64-28 L=8				1.00
32	26222406	INNER HOOK PRESSER, LEFT				1.00
33	26222307	INNER HOOK PRESSER, RIGHT				1.00
34	26222505	INNER HOOK PRESSURE SPRING				2.00
35	PS0250162KH	SPRING PIN 2.5X16				2.00
36	B18289800A0	BOBBIN CASE ASM.	FOR EXTRA THICK THREAD(OPTIONAL PARTS)			1.00
37	13816855	CYLINDER ARM CAP ASM.				1.00
38	26221200	HOOK COVER PRESSER SPRING B				1.00
39	SS6111140SP	SCREW 11/64-40 L=11				1.00
40	13508700	HOOK COVER PRESSER SPRING PIN				1.00
41	SS6661110SP	SCREW 1/4-40 L=11				1.00
42	SS6742012TP	SCREW 3/8-28 L=19.5				1.00
43	13510458	WORM WHEEL ASM.				1.00
44	13510201	WORM WHEEL SHAFT BUSHING				1.00
45	26221101	HOOK COVER PRESSER SPRING A				1.00
46	CS180121ASH	THRUST COLLAR ASM. D=18 W=12				1.00

47	SS6660710TP	SCREW 1/4-40 L=7		*		2.00
48	NS6660511SP	NUT 1/4-40				1.00
49	26221358	WORM WHEEL SHAFT ASM.				1.00
50	26221507	CAM GUIDE PIN				1.00
51	NS6360810SP	NUT 9/16-20				1.00
52	13510607	FEED CAM				1.00

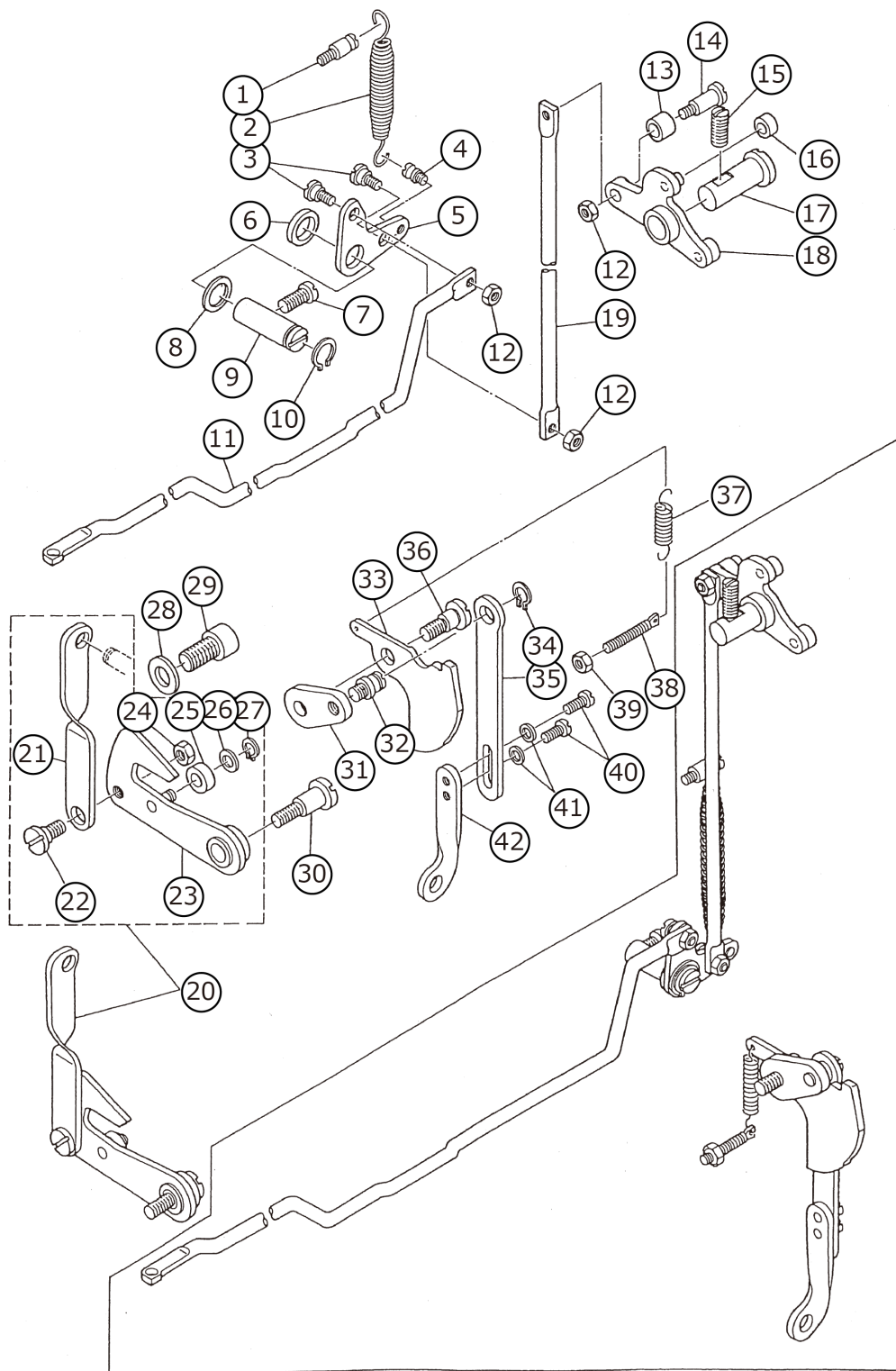
FEED MECHANISM COMPONENTS



No.	品番	品名	備考	子部品	消耗品	個数
1	SS7110740TP	SCREW 11/64-40 L=7				4.00
2	RE0700000K0	E-RING 7				2.00
3	B255728000C	WASHER	SELECTIVE PARTS			2.00
4	13518352	LEVER DRIVING PLATE ASM.				2.00
5	13518402	TENSION SPRING				2.00
6	26204107	LIFTING LEVER LEFT				1.00
7	26223701	LIFTING LEVER SHAFT				1.00
8	13518907	SUPPORT PLATE				1.00
9	SS2110920TP	SCREW 11/64-40 L=8.5				2.00
10	B2549280000	WORK CLAMP FOOT MOUNTING BASE				7.00
11	26224808	BALL RETAINER				1.00
12	SM6062002TP	SCREW M6 L=20				1.00
13	WP0621016SD	WASHER 6.2X13X1				1.00
14	13518501	SPRING SUSPENSION				1.00
15	13517800	FEED BRACKET				1.00
16	SS8150510TP	SCREW 15/64-28 L= 4.7				1.00
17	26204008	LIFTING LEVER RIGHT				1.00
18	SS8080310TP	SCREW 1/8-44 L=2.8				2.00
19	26224204	FINGER GUARD				1.00
20	SS2110930SP	SCREW 11/64-40 L=8.5				5.00
21	26224105	WORK CLAMP FOOT FACE PLATE				1.00
22	13518600	WORK CLAMP FOOT, RIGHT				1.00
23	13518709	WORK CLAMP FOOT, LEFT				1.00
24	SM3061052TP	SCREW M6 L=10				1.00
25	WP0650876SD	WASHER 6.5X13X0.8				1.00
26	13517701	FEED PLATE				1.00
27	SS2110920TP	SCREW 11/64-40 L=8.5				4.00
28	26223602	FEED PLATE PRESSER PLATE				1.00
29	13517529	FEED PLATE CARRIER BAR				1.00
30	26222703	FEED DRIVING ARM SHAFT				2.00
31	SS6151220SP	SCREW 15/64-28 L=11.5				1.00
32	SS7701010SP	SCREW 5/16-24 L=10				1.00
33	NS6150540SP	NUT 15/64-28				2.00
34	WP0702026SP	WASHER 7X15X2				1.00
35	13516307	FEED REGULATOR				1.00
36	26223503	HINGE STUD				1.00
37	NS6700320SP	NUT 5/16-24				1.00
38	26222901	FEED REGULATOR STUD				2.00
39	26223008	INDICATOR LEVER				2.00
40	SD0530221SP	HINGE SCREW D= 5.3 H= 2.2				2.00
41	13516703	SLIDE BLOCK B	SELECTIVE PARTS			2.00
42	NS6660430SP	NUT 1/4-40				2.00
43	WP0650876SD	WASHER 6.5X13X0.8				2.00
44	26224600	FEED CAM ROLLER SHAFT				2.00
45	26239806	FEED CAM ROLLER	SELECTIVE PARTS			2.00
46	13516109	FEED DRIVING ARM				1.00
47	SS9151440CP	SCREW 15/64-28 L=14				1.00

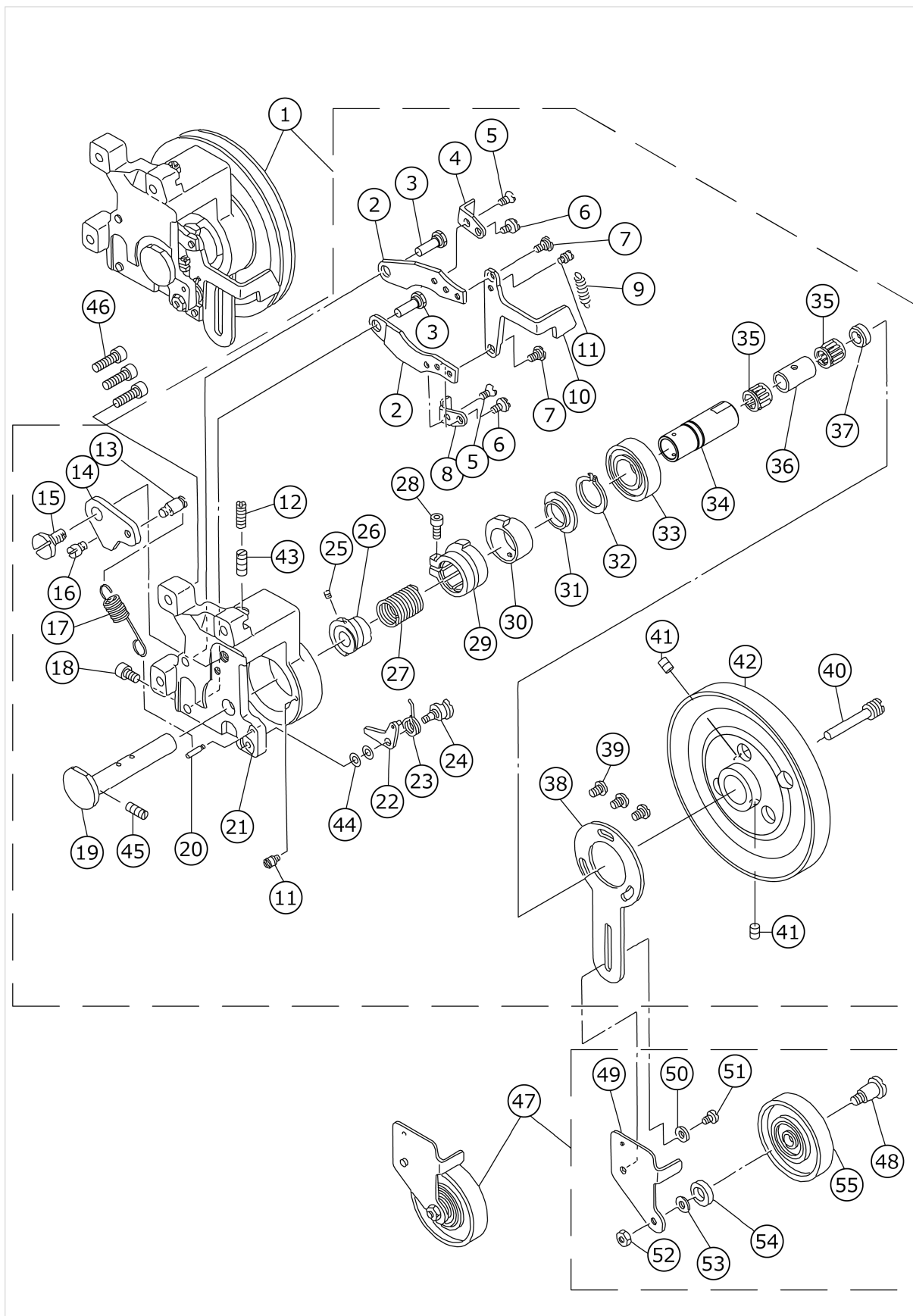
48	13550108	FEED REGULATOR SHAFT				2.00
49	TA0550604R0	RUBBER PLUG				2.00
50	26223404	PLATE				1.00
51	SS1110821TP	SCREW 11/64-40 L=8.3				2.00
52	SS6151220SP	SCREW 15/64-28 L=11.5				1.00
53	WP0704516SP	WASHER 7X20X4.5				1.00
54	26223305	SLIDE BLOCK STUD				1.00
55	B1414232000	SQUARE BLOCK				1.00
56	SS6151142TP	SCREW 15/64-28 L=10.5				1.00
57	13517107	FEED ACROSS DRIVING ARM				1.00
58	13517008	FEED ACROSS REGULATOR				1.00
59	SS6151220SP	SCREW 15/64-28 L=11.5				1.00
60	SS4110615SP	SCREW 11/64-40 L=6				1.00

THREAD TRIMMING COMPONENTS



No.	品番	品名	備考	子部品	消耗品	個数
1	26226407	TENSION SPRING HOOK				1.00
2	B2410980000	TENSION SPRING				1.00
3	SD0650305TP	HINGE SCREW D= 6.5 H= 3				2.00
4	26017400	SPRING HOOK				1.00
5	26225805	THREAD CUTTING LINK				1.00
6	26226100	THREAD CUTTING RING				1.00
7	SS6151440SP	SCREW 15/64-28 L=14				1.00
8	26226001	THREAD CUTTING LINK WASHER				1.00
9	26225904	THREAD CUTTING LINK SHAFT				1.00
10	RC1021011KP	RETAINING RING 10.2				1.00
11	13515408	CONNECTING ROD, LARGE				1.00
12	NS6120310SP	NUT 3/16-28				3.00
13	26225201	ROLLER				1.00
14	SD0651301TH	HINGE SCREW D=6.5 H=13				1.00
15	SS8681950SP	SCREW 9/32-28 L=19				1.00
16	26226704	THREAD CUTTING CAM ROLLER				1.00
17	26225102	CAM STUD				1.00
18	13534060	THREAD CUTTING CAM COMPL.				1.00
19	26225706	CONNECTING ROD SMALL				1.00
20	13507058	LOWERING LINK ASM.				1.00
21	26217406	LOWERING LINK		*		1.00
22	SD0790402TP	HINGE SCREW D= 7.94 H= 4		*		1.00
23	13507157	LOWERING LEVER ASM.		*		1.00
24	NS6150310SP	NUT 15/64-28		*		1.00
25	26217505	ROLLER		*		1.00
26	26217604	WASHER		*		1.00
27	B2615280000	STOP RING		*		1.00
28	WP0982616SP	WASHER 9.8X24.0X2.6				1.00
29	SS6741512TP	SCREW 3/8-28 L=14.5				1.00
30	SD0901101SP	HINGE SCREW D= 9 H=11				1.00
31	26225300	AUXILIARY LEVER				1.00
32	26225409	SHAFT				1.00
33	13514401	THREAD TRIMMING AUXILIARY CAM				1.00
34	RC0740816K0	RETAINING RING				1.00
35	26225607	CONNECTING PLATE B				1.00
36	SD0790802TP	HINGE SCREW D=7.94 H=8				1.00
37	26226209	SPRING				1.00
38	26226506	SPRING HOOK				1.00
39	NS6110420SP	NUT 11/64-40				1.00
40	SS7110910TP	SCREW 11/64-40 L= 8.5				2.00
41	WP0480856SP	WASHER 4.8X8.4X0.8				2.00
42	26225508	CONNECTING PLATE A				1.00

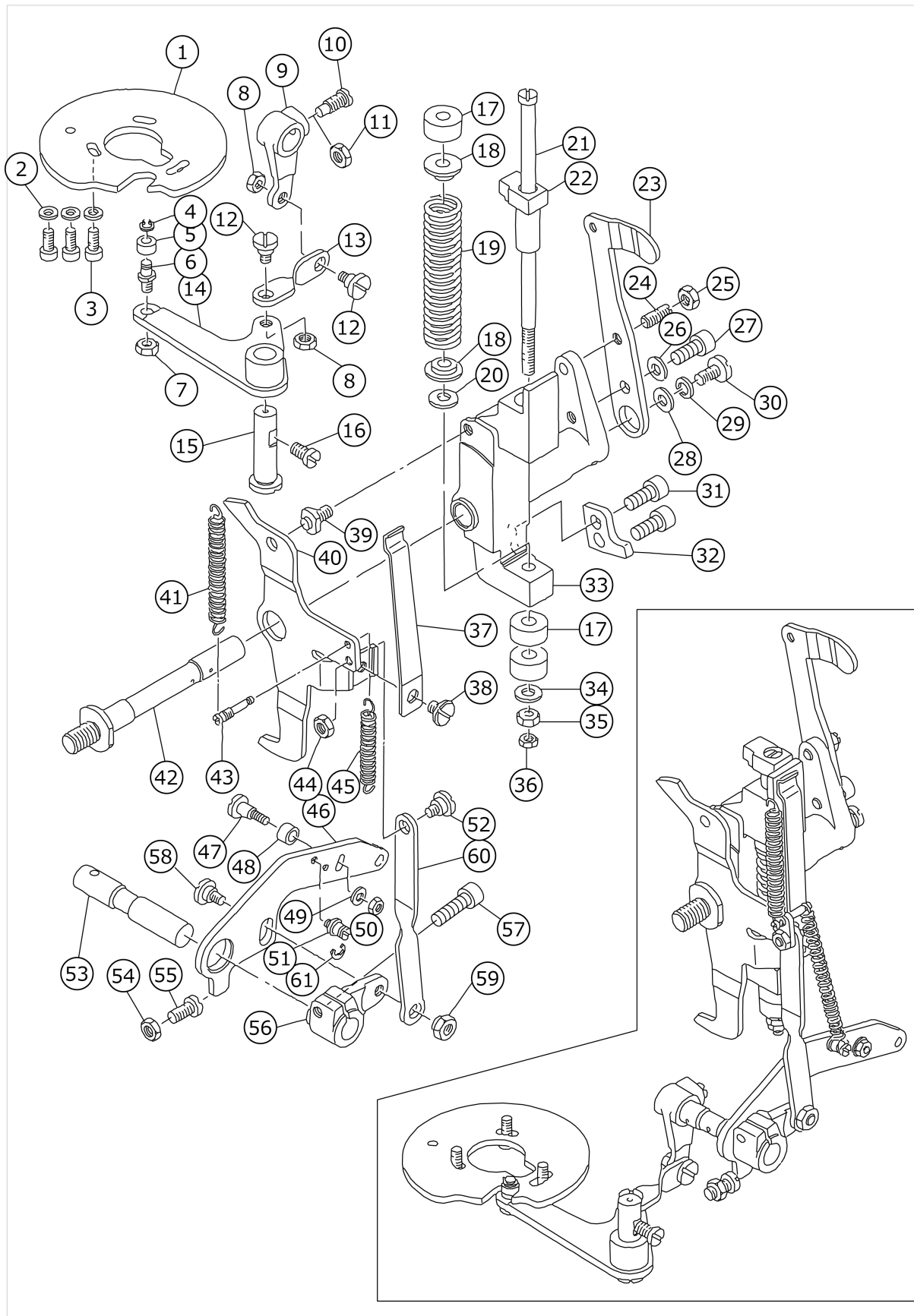
PEDAL PRESSURE DECREASING UNIT COMPONENTS



No.	品番	品名	備考	子部品	消耗品	個数
1	13523188	PRESSURE DECREASING DEVICE				1.00
2	13524608	PRESSURE DECREASING LEVER		*		2.00
3	13525100	STUD		*		2.00
4	13524707	LEVER LATCH A		*		1.00
5	SS2110920TP	SCREW 11/64-40 L=8.5		*		2.00
6	SS7110910TP	SCREW 11/64-40 L= 8.5		*		2.00
7	SD0640321SP	HINGE SCREW D= 6.35 H= 3.2		*		2.00
8	13524806	LEVER LATCH B		*		1.00
9	13525001	SPRING		*		1.00
10	13524905	PRESSURE DECREASING LEVER LINK		*		1.00
11	26017400	SPRING HOOK		*		2.00
12	SS8150710SP	SCREW 15/64-28 L=7		*		1.00
13	MAT80116S00	SUSPENSION PIN		*		1.00
14	13525605	AUXILIARY CAM		*		1.00
15	SD0720331SP	HINGE SCREW D= 7.24 H= 3.3		*		1.00
16	SS6110710TP	SCREW 11/64-40 L= 6.5		*		1.00
17	13525704	SPRING		*		1.00
18	SM6061002TP	SCREW M6 L=10		*		2.00
19	13523352	PRESSURE DECREASING SHAFT ASM.		*		1.00
20	PS0300162KH	SPRING PIN 3X16		*		1.00
21	13523121	PRESSURE DECREASING UNIT FRAME		*		1.00
22	13524368	ROTATION PREVENTING LATCH ASM.		*		1.00
23	13524418	SPRING		*		1.00
24	SD0600321SP	HINGE SCREW D=6 H=3.2		*		1.00
25	SS8620610SP	SCREW 3/16-32 L=6		*		1.00
26	13524277	DECREASING CLUTCH ASM.		*		1.00
27	13523808	CLUTCH SPRING		*		1.00
28	SM6051202TP	SCREW M5X0.8 L=12		*		1.00
29	13524129	INNER SLEEVE		*		1.00
30	13524004	OUTER SLEEVE		*		1.00
31	13523915	OUTER SLEEVE GUIDE		*		1.00
32	RC1850001KP	SNAP RING 18.5		*		1.00
33	SB120000300	BEARING D=20X42		*		1.00
34	13523428	SHAFT		*		1.00
35	SB312000100	BEARING D=12X15		*		2.00
36	13523519	COLLAR A		*		1.00
37	13523600	COLLAR B		*		1.00
38	13525308	IDLER PULLEY INSTALLING PLATE		*		1.00
39	SS6110810TP	SCREW 11/64-40 L=8		*		3.00
40	13525407	SCREW		*		1.00
41	SS8150822TP	SCREW 15/64-28 L=8		*		2.00
42	13523212	DRIVING PULLEY		*		1.00
43	SS8151550SP	SCREW 15/64-28 L=15		*		1.00
44	WP0482086SD	WASHER 4.8X11.5X2		*		2.00
45	SS8620850SP	SCREW 3/16-32 L= 8.0		*		1.00
46	SM6062002TP	SCREW M6 L=20				3.00
47	13532254	IDLER PULLEY ASM.				1.00
48	SD1201501SP	HINGE SCREW D=12 H=15		*		1.00
49	26235200	IDLER BRACKET		*		1.00
50	WP0621016SD	WASHER 6.2X13X1		*		1.00

51	SS6150760SN	SCREW 15/64-28 L=6.5		*		1.00
52	NS6150310SP	NUT 15/64-28		*		1.00
53	WP0612056SD	WASHER 6.1X18.5X2		*		1.00
54	26235408	IDLER RING		*		1.00
55	13532262	IDLER PULLEY ASM.		*		1.00

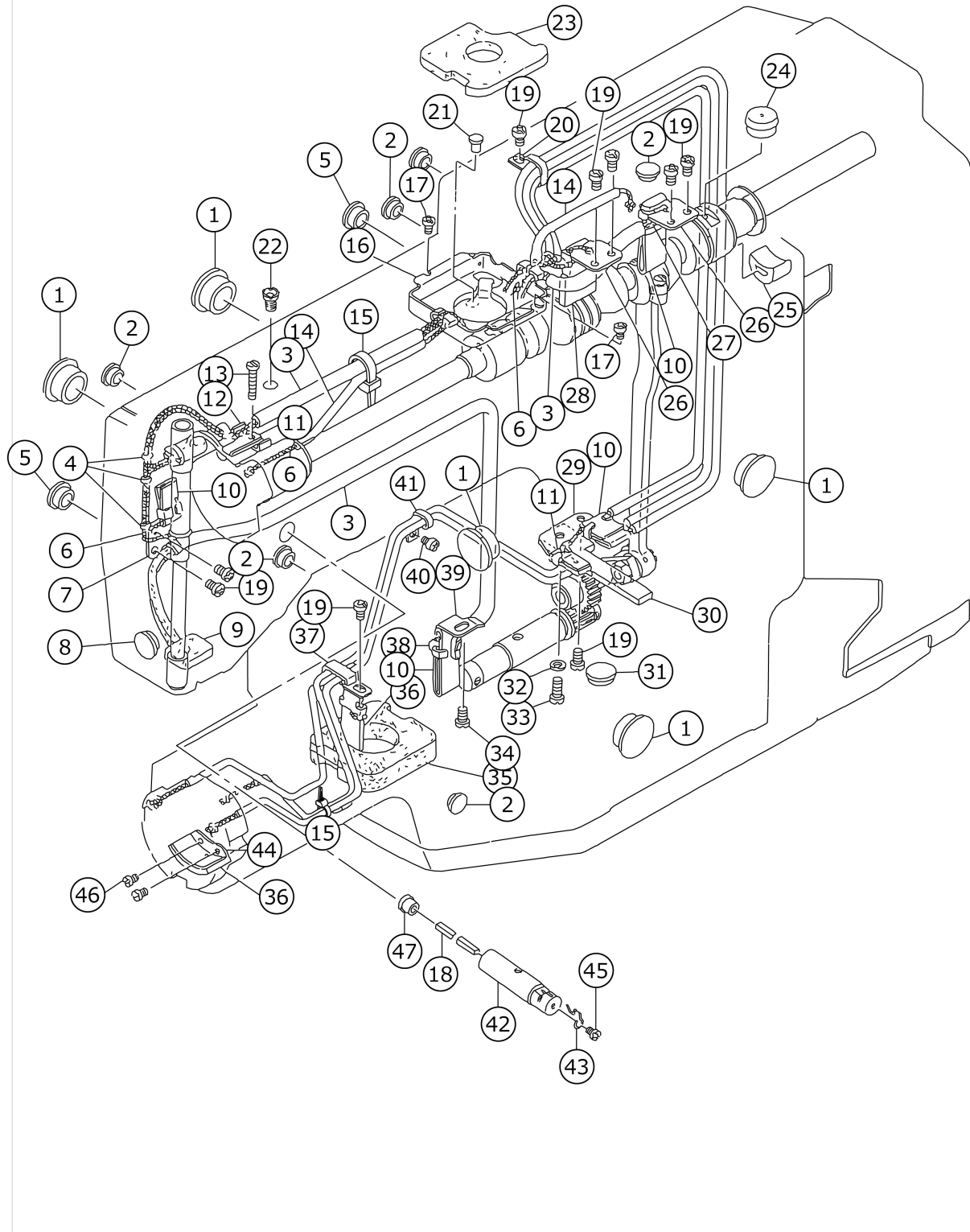
STOP-MOTION MECHANISM COMPONENTS



No.	品番	品名	備考	子部品	消耗品	個数
1	13522008	STOP-MOTION REGULATING CAM				1.00
2	WP0482086SD	WASHER 4.8X11.5X2				3.00
3	SS6121212TP	SCREW 3/16-28 L=12.0				3.00
4	RC0470611KP	RETAINING RING 4.7				1.00
5	26228601	ROLLER				1.00
6	26228502	ROLLER SHAFT				1.00
7	NS6150430SP	NUT 15/64-28				1.00
8	NS6150430SP	NUT 15/64-28				2.00
9	13521505	STOP-MOTION ARM B				1.00
10	SS6681720TP	SCREW 9/32-28 L=16.5				1.00
11	NS6680320SP	NUT 9/32-28				1.00
12	SD0800402TP	HINGE SCREW D= 8 H= 4				2.00
13	26228205	STOP-MOTION LINK				1.00
14	13521760	LEVER ASM.				1.00
15	26228304	REGULATING LEVER STUD				1.00
16	SS7151120SP	SCREW 15/64-28 L=11				1.00
17	B2608280000	RUBBER CUSHION				3.00
18	26229104	WASHER				2.00
19	26229005	PRESSURE SPRING				1.00
20	WP0751576SD	WASHER 7.5X19X1.5				1.00
21	B2605372000	STOP MOTION PLUNGER ROD				1.00
22	26228908	STOP MOTION HOOK				1.00
23	13520309	PULLEY PRESSING PLATE				1.00
24	SS8151780SP	SCREW 15/64-28 L=17.0				1.00
25	NS6150430SP	NUT 15/64-28				1.00
26	WP0621016SD	WASHER 6.2X13X1				1.00
27	SM6061802TP	SCREW M6 L=18				1.00
28	WP0612056SD	WASHER 6.1X18.5X2				1.00
29	WS0641560KR	SPRING WASHER 6.4X11.9X1.5				1.00
30	SS7151330SP	SCREW 15/64-28 L=13.0				1.00
31	SM6061402TP	SCREW M6 L=14				2.00
32	13520705	SAFETY PLATE				1.00
33	13520119	STOP-MOTION LEVER				1.00
34	WP0751576SD	WASHER 7.5X19X1.5				1.00
35	NS6680410SP	NUT 9/32-28				1.00
36	NS6680410SP	NUT 9/32-28				1.00
37	26227306	STOP-MOTION LEVER PLATE SPRING				1.00
38	SS5680740SP	SCREW 9/32-28 L= 6.8				1.00
39	26227207	GUIDE PIN				1.00
40	13520408	DRIVING PLATE				1.00
41	13520804	TENSION SPRING				1.00
42	26202903	STOP-MOTION LEVER SHAFT				1.00
43	26228700	STARTING SPRING HOOK				1.00
44	NS6150310SP	NUT 15/64-28				1.00
45	26227900	TENSION SPRING				1.00
46	26204701	STARTING LEVER				1.00
47	SD0640801TP	HINGE SCREW D= 6.35 H= 8.0				1.00
48	26228809	SLIDE ROLLER				1.00
49	WP0480856SP	WASHER 4.8X8.4X0.8				1.00
50	NS6110420SP	NUT 11/64-40				1.00

51	26229302	SUSPENSION SCREW				1.00
52	SD0800402TP	HINGE SCREW D= 8 H= 4				1.00
53	13521406	STOP-MOTION ARM SHAFT				1.00
54	NS6150310SP	NUT 15/64-28				1.00
55	SS6151440SP	SCREW 15/64-28 L=14				1.00
56	13521125	STOP-MOTION ARM A				1.00
57	SM6062002TP	SCREW M6 L=20				1.00
58	SD0800352SP	HINGE SCREW D=8 H=3.5				1.00
59	26227702	NUT				1.00
60	26227603	STOP-MOTION CONNECTING LEVER				1.00
61	RE0400000K0	E-RING 4				1.00

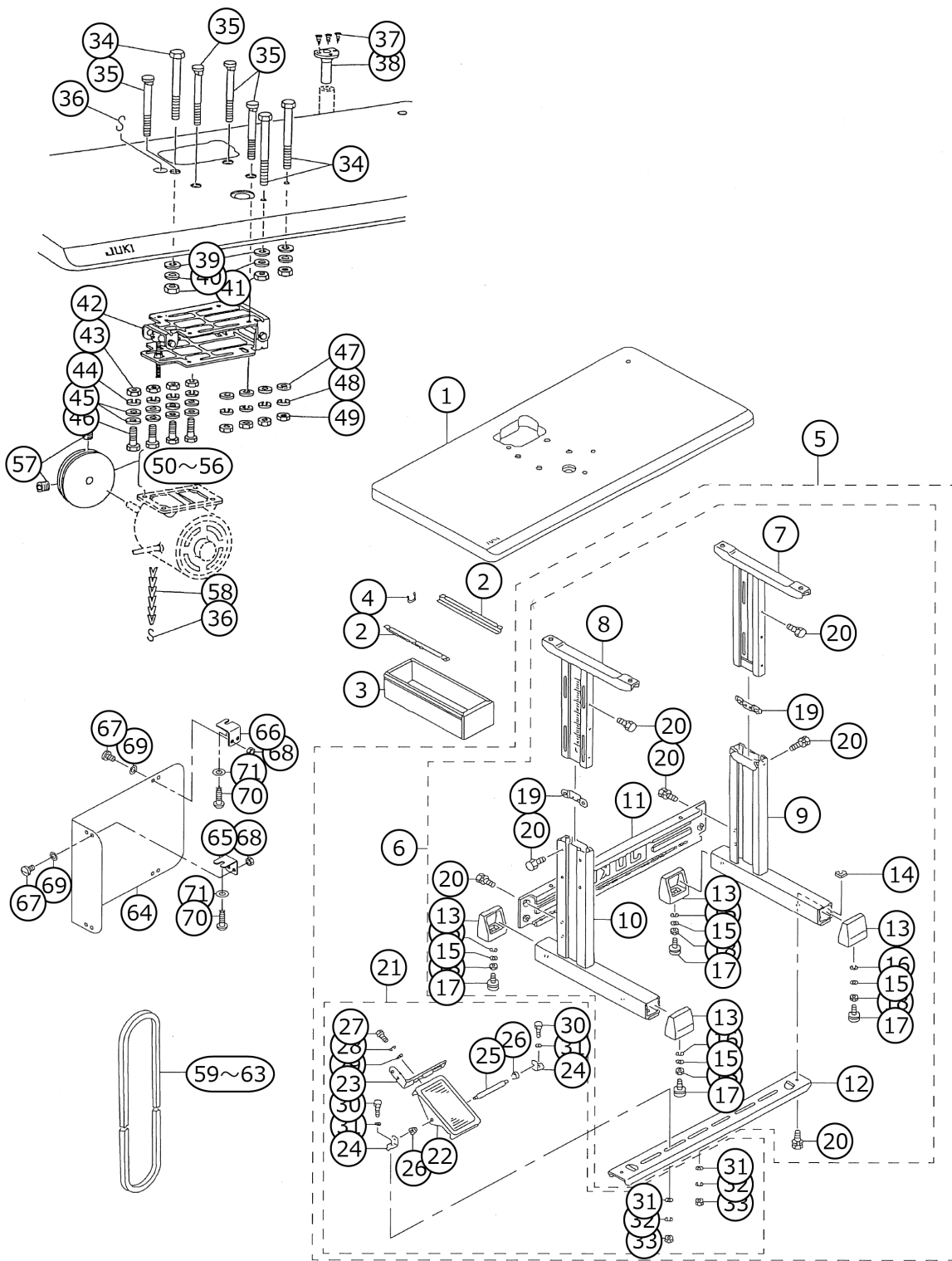
LUBRICATION MECHANISM COMPONENTS



No.	品番	品名	備考	子部品	消耗品	個数
1	TA2100904R0	RUBBER PLUG				5.00
2	TA1050504R0	RUBBER PLUG				6.00
3	BP600000000	VINYL PIPE				0.70
4	26230706	OIL WICK PRESSER				3.00
5	TA1250406R0	RUBBER PLUG D=12.5 L=4				2.00
6	CQ252200000	OIL WICK				4.70
7	26231209	OIL WICK PRESSER				1.00
8	TA1250406R0	RUBBER PLUG D=12.5 L=4				1.00
9	B3507280000	OIL FELT				1.00
10	B3509280000	NEEDLE ROD CRANK LUBRICATING				4.00
11	B3518280000	BALANCE LUBRICATING				2.00
12	26231407	BALANCE LUBRICATING PLATE				1.00
13	SS6091510SP	SCREW 9/64-40 L=15.0				1.00
14	BP300000100	VINYL TUBE				2.50
15	EA9500B0100	CABLE BAND				2.00
16	26230102	LUBRICATING TANK				1.00
17	SS4090515SP	SCREW 9/64-40 L=5				2.00
18	13501705	SILICON OIL FELT	SPECIAL ORDER PARTS			1.00
19	SS4110715SP	SCREW 11/64-40 L=7				9.00
20	26230409	LUBRICATING OIL WICK STOPPER				1.00
21	TA0750704R0	RUBBER PLUG				1.00
22	13501408	SILICON OIL POURING HOLE	SPECIAL ORDER PARTS			1.00
23	13529904	LUBRICATING TANK FELT				1.00
24	26230904	GREASE CAP				1.00
25	13528708	REAR METAL BUSH				1.00
26	26231605	CRANK ROD LUBRICATING PLATE				2.00
27	13529201	CRANK LUBRICATING FELT				1.00
28	13529102	OIL FELT				1.00
29	26229401	OSCILLATOR LUBRICATION PLATE				1.00
30	B3515280000	OSCILLATOR LUBRICATING FELT				1.00
31	TA1450404R0	RUBBER PLUG D=14.5 L=4				1.00
32	WP0621016SD	WASHER 6.2X13X1				1.00
33	SS6111140SP	SCREW 11/64-40 L=11				1.00
34	SS7110510SP	SCREW 11/64-40 L=5				1.00
35	B3502280000	LUBRICATING TANK FELT				1.00
36	B3504280000	SHUTTLE FELT				2.00
37	26229609	HOOK OIL WICK STOPPER A				1.00
38	B3541012000	OIL WICK				1.00
39	26230003	OIL FELT HOLDER				1.00
40	SS4110515SP	SCREW 11/64-40 L=5				1.00
41	26231902	OIL WICK PIPE STOPPER				1.00
42	13501309	SILICON OIL PIPE	SPECIAL ORDER PARTS			1.00
43	B1127280000	SILICON OIL THREAD GUIDE	SPECIAL ORDER PARTS			1.00
44	26231100	SHUTTLE LUBRICATING PLATE				1.00
45	SS4110515SP	SCREW 11/64-40 L=5	SPECIAL ORDER PARTS			1.00

46	SS6090440SP	SCREW 9/64-40 L= 4.0			2.00
47	TA1050504R0	RUBBER PLUG	SPECIAL ORDER PARTS		1.00

TABLE COMPONENTS

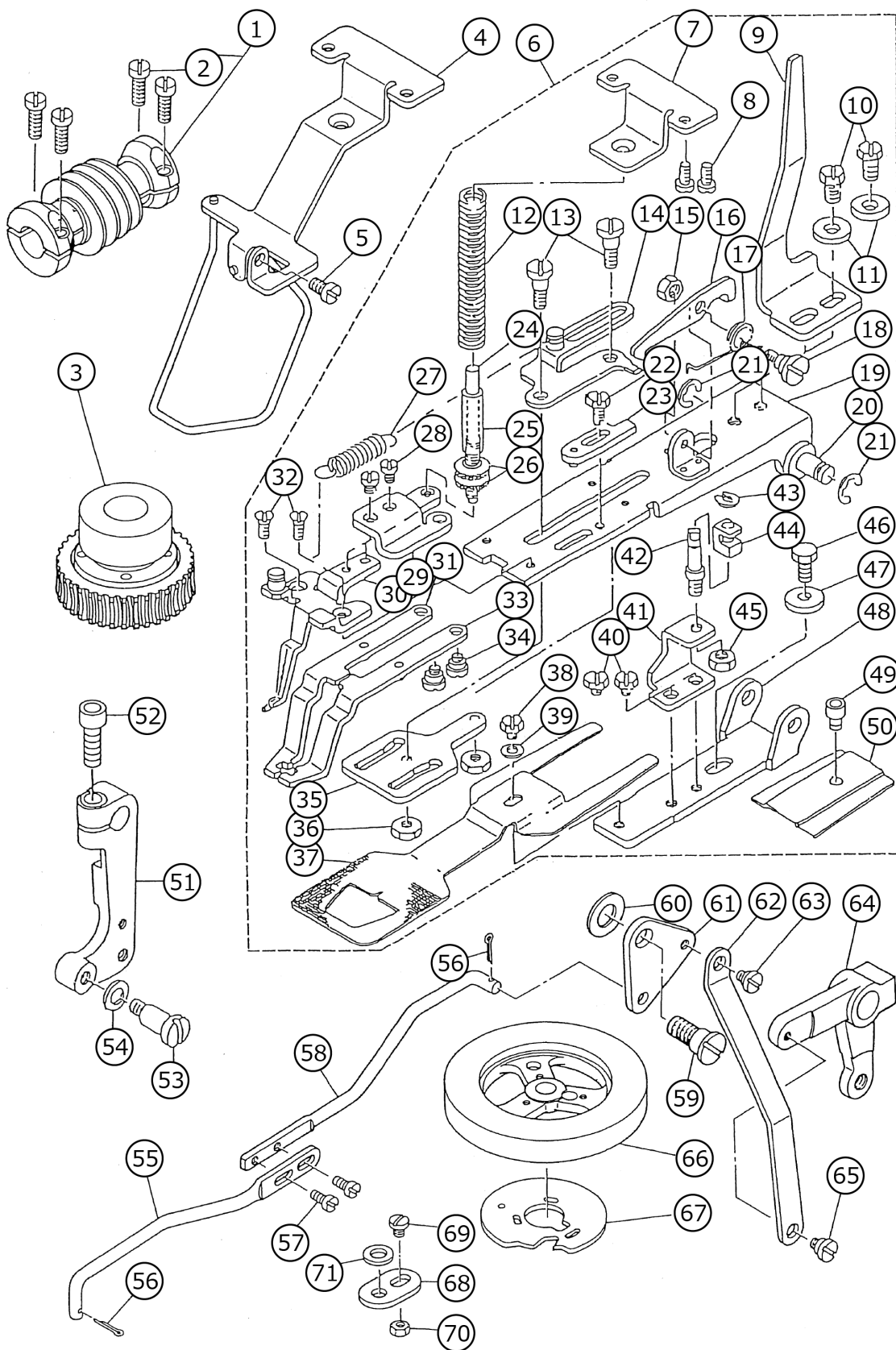


No.	品番	品名	備考	子部品	消耗品	個数
1	13817507	TABLE				1.00
2	11155207	DRAWER SUPPORT				2.00
3	11155108	DRAWER				1.00
4	D8204555D00	DRAWER STOPPER				1.00
5	13508056	T-STAND COMPL.				1.00
6	11157559	T-STAND ASM.		*		1.00
7	11157658	STAND UPPER, RIGHT		*		1.00
8	11157757	STAND UPPER, LEFT		*		1.00
9	11157955	STUD ASM., RIGHT		*		1.00
10	11158052	STRUT JUNCTION (LEFT)		*		1.00
11	11158300	STAND SIDE SUPPORT		*		1.00
12	11158409	STAND SIDE SUPPORT		*		1.00
13	11158607	RUBBER CAP		*		4.00
14	17007402	NUT		*		2.00
15	WP1302501SE	WASHER M12		*		4.00
16	WS1253010KN	SPRING WASHER 12.5X21.5X3		*		4.00
17	B81085550A0	ADJUSTING SCREW ASM. WITH CAP		*		4.00
18	NM6120003SE	NUT M12		*		4.00
19	11158508	PLATE		*		2.00
20	SL9082091SE	WASHER HEXAGONAL BOLT		*		12.00
21	13817754	Z-STAND PEDAL ASM.		*		1.00
22	GPF060600A0	PEDAL ASM.		*		1.00
23	GPF06080000	PEDAL ADJUSTING PLATE		*		1.00
24	11159001	PEDAL SHAFT BRACKET		*		2.00
25	B8153771000	PEDAL CONNECTING ROD		*		1.00
26	D8113555B00	PEDAL BUSHING		*		2.00
27	SM9061203SE	SCREW M6 L=12		*		2.00
28	WP0671016SE	WASHER 6.7X13X1		*		2.00
29	WS0621210KR	SPRING WASHER 6.2X11.4X1.2		*		2.00
30	SM9082023SE	SCREW M8 L=20		*		2.00
31	WP0871602SE	WASHER 8.7X18X1.6		*		4.00
32	WS0861410KR	SPRING WASHER 8.6X15X1.4		*		2.00
33	NM6080721SE	NUT M8		*		2.00
34	SS9156830SP	SCREW 15/64-28 L=68				3.00
35	MTJMS000000	MOUNTING BOLT				4.00
36	B8133019000	S SHAPED HOOK				2.00
37	SK3311600SE	WOOD SCREW D=3.1 L=16				3.00
38	26234302	OIL REMOVING FUNNEL				1.00
39	WP0612056SD	WASHER 6.1X18.5X2				3.00
40	WP0621016SD	WASHER 6.2X13X1				3.00
41	NS6150310SP	NUT 15/64-28				3.00
42	B71307610A0	MOTOR BASE ASM.				1.00
43	NM6060001SE	NUT M6				4.00
44	WS0621210KR	SPRING WASHER 6.2X11.4X1.2				4.00
45	WP0612056SE	WASHER 6.1X18.5X2				8.00
46	SM9062003SC	SCREW M6 L=20				4.00
47	WP0850002SC	WASHER 8.5X18X1.6				4.00
48	WS0902010KN	SPRING WASHER 9.0X15.0X2.0				4.00
49	NS6200710SN	NUT 5/16-18				4.00
50	13531108	MOTOR PULLEY 50HZ 2300 SPM				1.00

51	26202804	MOTOR PULLEY				1.00
52	13531306	MOTOR PULLEY 50HZ 1800 SPM				1.00
53	26239103	MOTOR PULLEY				1.00
54	26237503	MOTOR PULLEY				1.00
55	13531603	MOTOR PULLEY 60HZ 1800 SPM				1.00
56	13553706	MOTOR PULLEY 60HZ 1500 SPM				1.00
57	SS8150822TP	SCREW 15/64-28 L=8				2.00
58	B8131019000	CHAIN				1.00
59	MTJVM005000	V-BELT, 50INCH	FOR 50HZ 2300SPM			1.00
60	MTJVM004900	V-BELT, 49 INCH	FOR 50HZ 2000S PM. 60HZ 2300S PM			1.00
61	MTJVM004800	V-BELT, 48 INCH	FOR 50HZ 1800S PM. 60HZ 2000S PM			1.00
62	MTJVM004700	V-BELT, 47 INCH	FOR 60HZ 1800SPM			1.00
63	MTJVM004600	V-BELT, 46 INCH	FOR SLOW SPEED			1.00
64	40009458	PULLEY COVER	FOR DESTINATION ONLY			1.00
65	B7272781000	COVER MOUNTING BRACKET B	FOR DESTINATION ONLY			1.00
66	26236703	COVER MOUNTING BRACKET C	FOR DESTINATION ONLY			1.00
67	SS7110710SP	SCREW 11/64-40 L=7	FOR DESTINATION ONLY			4.00
68	NS6110310SP	NUT 11/64-40	FOR DESTINATION ONLY			4.00
69	WP0480856SP	WASHER 4.8X8.4X0.8	FOR DESTINATION ONLY			4.00
70	SK3452000SC	WOOD SCREW D=4.5 L=20	FOR DESTINATION ONLY			2.00
71	WP0501016SC	WASHER 5X10.5X1	FOR DESTINATION ONLY			2.00

LK-1850 SERIES SUBCLASS

(1)LK-1852-1

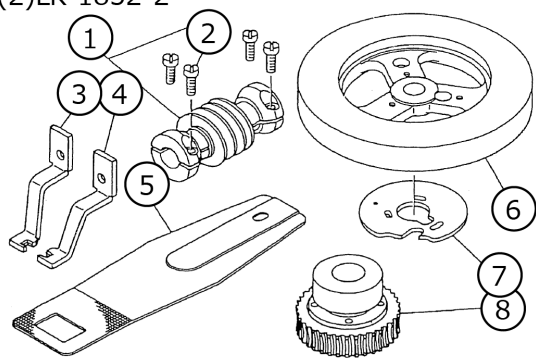


No.	品番	品名	備考	子部品	消耗品	個数
1	13510862	WORM ASM.				1.00
2	SS7111410TP	SCREW 11/64-40 L=14		*		4.00
3	13510953	FEED CAM DRIVING WHEEL ASM.				1.00
4	13541750	FINGER GUARD ASM.				1.00
5	SS7111120SP	SCREW 11/64-40 L=10.5				1.00
6	13540752	WORK CLAMP FOOT BRACKET ASM.				1.00
7	13541206	WORK CLAMP FOOT PLATE COVER		*		1.00
8	SS7110840SP	SCREW 11/64-40 L=7.8		*		2.00
9	13541404	WORK CLAMP FOOT LIFTING PLATE		*		1.00
10	SS9151120CP	SCREW 15/64-28 L=11		*		2.00
11	WP0612516SD	WASHER 6.1X15.2X2.5		*		2.00
12	D2529232D00	PRESSER SPRING		*		1.00
13	D2545232D0A	HINGE SCREW	SELECTIVE PARTS	*		2.00
14	D2513232DA0	BRACKET GUIDE ASM.		*		1.00
15	NS6110530SP	NUT 11/64-40		*		1.00
16	D2509232D00	STATIONING LATCH		*		1.00
17	D2512232D00	TORSION SPRING		*		1.00
18	D2511232D00	SCREW		*		1.00
19	D2504282AB0A	KNOB FOOT MOUNT BASE ASM.		*		1.00
20	D2502232D00	SHAFT BLOCK SHAFT		*		1.00
21	RE0700000K0	E-RING 7		*		2.00
22	SS9110920CP	SCREW 11/64-40 L=9		*		1.00
23	D2516232DA0	WORK CLAMP FOOT REGULATOR		*		1.00
24	D2528232D00	SHAFT		*		1.00
25	D2527232D00	SLEEVE		*		1.00
26	B3117352000	THREAD TENSION POST NUT		*		2.00
27	D2515232D00	TORSION SPRING		*		1.00
28	SS7110840SP	SCREW 11/64-40 L=7.8		*		2.00
29	13541107	WORK CLAMP FOOT SPRING HOLDER		*		1.00
30	13541057	CLAMP GUIDE FOOT ASM.		*		1.00
31	D2520232DA0	WORK CLAMP FOOT(LEFT)ASM.		*		1.00
32	SS1110640TP	SCREW 11/64-40 L= 5.5		*		2.00
33	D2521232DA0	WORK CLAMP FOOT(RIGHT)ASM.		*		1.00
34	SD0550271TP	HINGE SCREW D= 5.50 H= 2.7		*		2.00
35	D2519232D00	WORK CLAMP FOOT PLATE CAM		*		1.00
36	NS6120480SP	NUT 3/16-28		*		2.00
37	13541503	FEED PLATE		*		1.00
38	SS9110460CP	SCREW 11/64-40 L=4		*		1.00
39	WP0501016SD	WASHER 5X10.5X1		*		1.00
40	SS9110460CP	SCREW 11/64-40 L=4		*		2.00
41	13540802	SHAFT BRACKET BASE		*		1.00
42	13540901	STATIONING BLOCK SHAFT		*		1.00
43	D2548232D00	SNAP RING,FOR CONNECTING ROD		*		1.00
44	D2507232D00	STATIONING BLOCK		*		1.00
45	NS6150310SP	NUT 15/64-28		*		1.00
46	SS9151120CP	SCREW 15/64-28 L=11		*		1.00
47	WP0612516SD	WASHER 6.1X15.2X2.5		*		1.00
48	13540703	WORK CLAMP FOOT BRACKET ASM.		*		1.00
49	SM6060802TP	SCREW M6 L=8		*		1.00

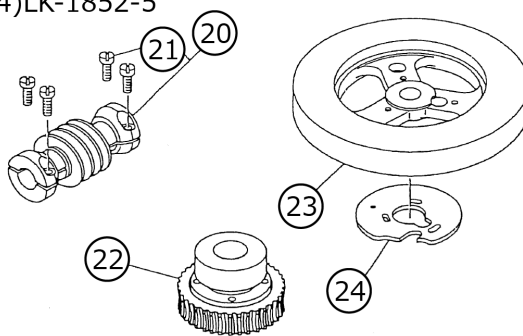
50	WP0612066SP	WASHER 6.1X11X2		*		1.00
51	13541313	CONNECTING ARM				1.00
52	SM6061802TP	SCREW M6 L=18				1.00
53	SD1201501SP	HINGE SCREW D=12 H=15				1.00
54	WP0651056SH	WASHER 6.5X11X1				1.00
55	13540604	DRIVING BAR B				1.00
56	PD02010000B	SPLIT PIN				2.00
57	SS7090610SP	SCREW 9/64-40 L=6				2.00
58	13540505	DRIVING BAR A				1.00
59	SD0900701TP	HINGE SCREW D= 9 H= 7				1.00
60	13540406	WASHER				1.00
61	13540307	LEVER				1.00
62	13540208	LINK				1.00
63	SD0640321SP	HINGE SCREW D= 6.35 H= 3.2				1.00
64	13540109	STOP-MOTION REGULATING ARM B				1.00
65	SD0640241SP	HINGE SCREW D= 6.35 H= 2.4				1.00
66	13541800	FEED CAM				1.00
67	13538301	STOP-MOTION REGULATING CAM				1.00
68	13547807	FEED STOP WASHER				1.00
69	SS6090510SP	SCREW 9/64-40 L=5				1.00
70	NS6090310SP	NUT 9/64-40				1.00

LK-1850 SERIES SUBCLASS

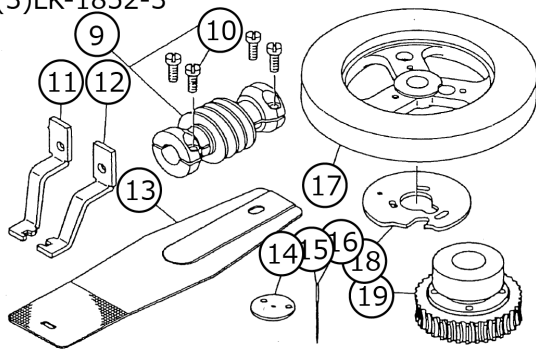
(2)LK-1852-2



(4)LK-1852-5



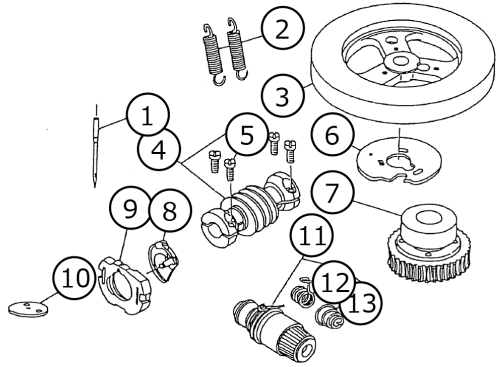
(3)LK-1852-3



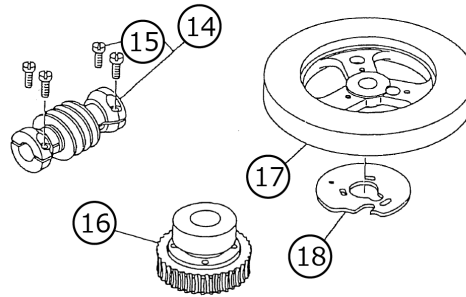
No.	品番	品名	備考	子部品	消耗品	個数
1	13510862	WORM ASM.				1.00
2	SS7111410TP	SCREW 11/64-40 L=14		*		4.00
3	13542402	WORK CLAMP FOOT, RIGHT				1.00
4	13542501	WORK CLAMP FOOT, LEFT				1.00
5	13542303	FEED PLATE				1.00
6	13541800	FEED CAM				1.00
7	13538301	STOP-MOTION REGULATING CAM				1.00
8	13510953	FEED CAM DRIVING WHEEL ASM.				1.00
9	13510862	WORM ASM.				1.00
10	SS7111410TP	SCREW 11/64-40 L=14		*		4.00
11	13542915	WORK CLAMP FOOT, RIGHT				1.00
12	13543012	WORK CLAMP FOOT, LEFT				1.00
13	13542816	CLOTH PRESSER PLATE				1.00
14	D2426282C00	NEEDLE HOLE GUIDE				1.00
15	MDP500B1100	NEEDLE DPX5 #11				1.00
16	MC200500750	NEEDLE 134 NM75				1.00
17	13542709	FEED CAM				1.00
18	13538301	STOP-MOTION REGULATING CAM				1.00
19	13510953	FEED CAM DRIVING WHEEL ASM.				1.00
20	13510862	WORM ASM.				1.00
21	SS7111410TP	SCREW 11/64-40 L=14		*		4.00
22	13510953	FEED CAM DRIVING WHEEL ASM.				1.00
23	13543202	FEED CAM				1.00
24	13538301	STOP-MOTION REGULATING CAM				1.00

LK-1850 SERIES SUBCLASS

(5)LK-1852-7



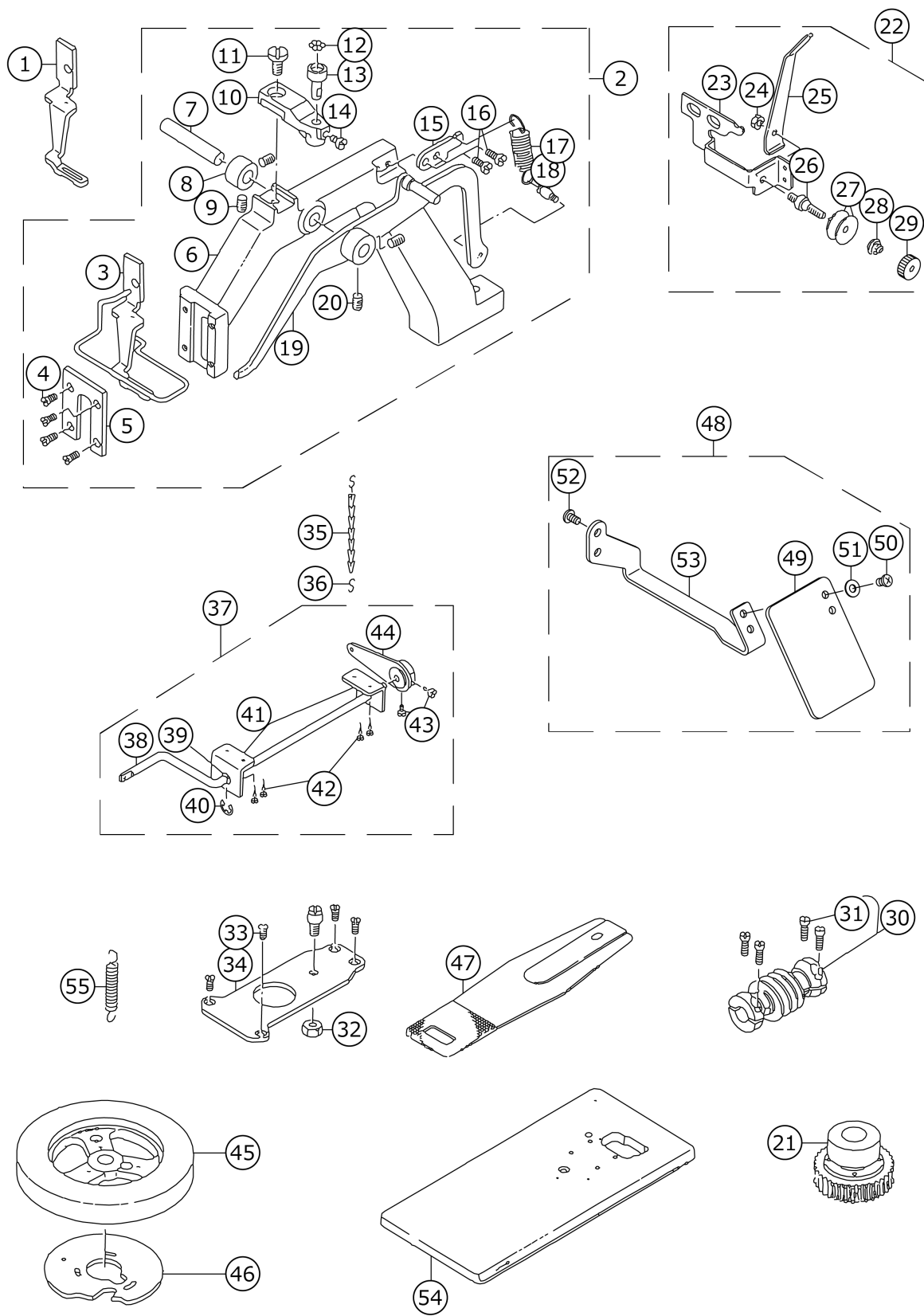
(6)LK-1852-210



No.	品番	品名	備考	子部品	消耗品	個数
1	MDP500B2100	NEEDLE DPX5 #21				1.00
2	13519004	TENSION SPRING				1.00
3	13543202	FEED CAM				1.00
4	13510862	WORM ASM.				1.00
5	SS7111410TP	SCREW 11/64-40 L=14		*		4.00
6	13538301	STOP-MOTION REGULATING CAM				1.00
7	13510953	FEED CAM DRIVING WHEEL ASM.				1.00
8	D1818282N00	SHUTTLE				1.00
9	D1817282N00	SHUTTLE RACE RING, THICK NEEDLE				1.00
10	B242628000C	NEEDLE PLATE NEEDLE HOLE GUIDE				1.00
11	B23022050A0	TENSION CONTROLLER NO.2 ASM.				1.00
12	D3112L4BB00	TAKE-UP SPRING (HEAVY)		*		1.00
13	B3129053000	TENSION SPRING		*		1.00
14	13510862	WORM ASM.				1.00
15	SS7111410TP	SCREW 11/64-40 L=14		*		4.00
16	13510953	FEED CAM DRIVING WHEEL ASM.				1.00
17	13564901	FEED CAM 1852-210				1.00
18	13538301	STOP-MOTION REGULATING CAM				1.00

LK-1850 SERIES SUBCLASS

(7)LK-1852-20

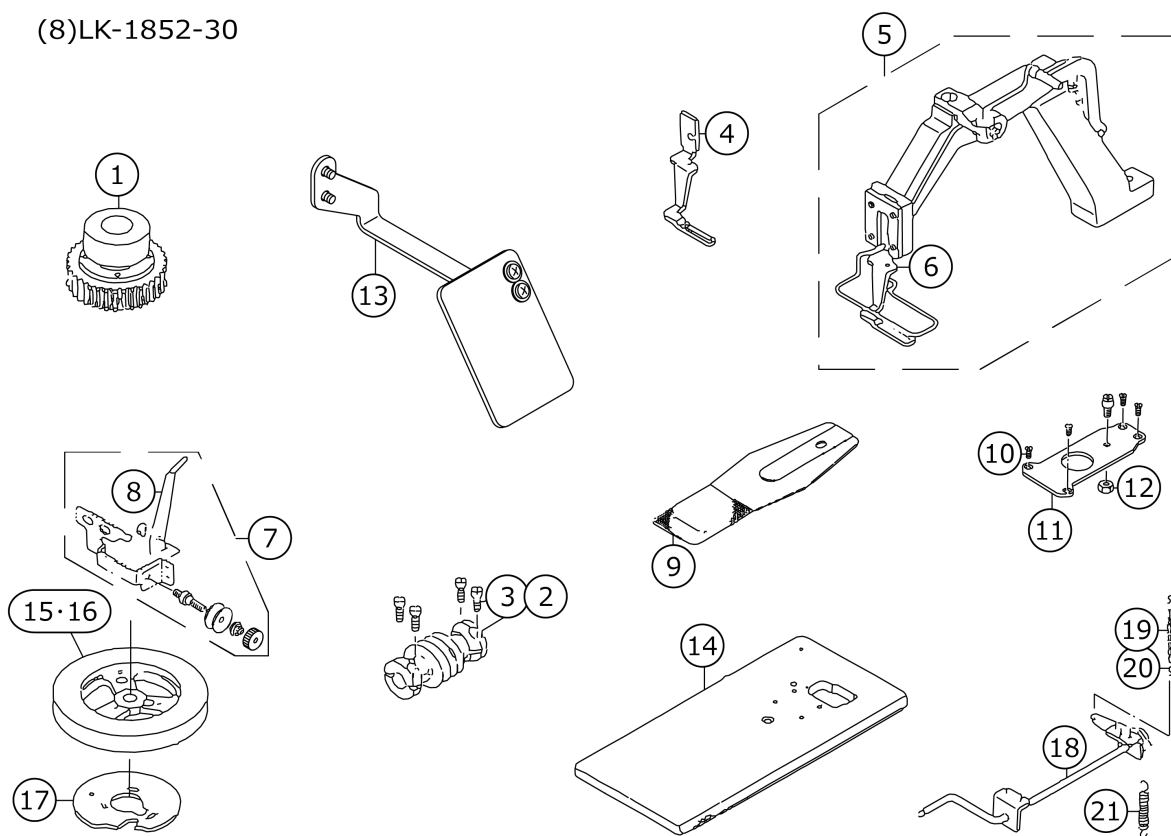


No.	品番	品名	備考	子部品	消耗品	個数
1	13544416	CLOTH PRESSER FOOT				1.00
2	13543764	CLOTH FEED BASE ASM.				1.00
3	13544465	CLOTH PRESSER FOOT ASM.		*		1.00
4	SS7120910SP	SCREW 3/16-28 L=9		*		4.00
5	13544614	CLOTH FEED BASE COVER		*		1.00
6	13543715	CLOTH FEED BASE		*		1.00
7	B2539280000	STUD		*		1.00
8	CS087101BSH	THRUST COLLAR ASM. D=8.73 W=10		*		1.00
9	SS8150822TP	SCREW 15/64-28 L=8		*		2.00
10	13543806	BALL HOLDER		*		1.00
11	SS7151210SP	SCREW 15/64-28 L=12		*		1.00
12	B2549280000	WORK CLAMP FOOT MOUNTING BASE		*		7.00
13	B2548280000	BALL RETAINER		*		1.00
14	SS7110740TP	SCREW 11/64-40 L=7		*		1.00
15	13543905	SPRING SUSPENSION		*		1.00
16	SS6120940SP	SCREW 3/16-28 L=9		*		2.00
17	13544705	SPRING		*		1.00
18	B3413552000	SUSPENSION SCREW		*		1.00
19	13544051	LIFTING LEVER ASM.		*		1.00
20	SS8150822TP	SCREW 15/64-28 L=8		*		2.00
21	13510953	FEED CAM DRIVING WHEEL ASM.				1.00
22	40038080	THREAD GUIDE BRACKET ASM.				1.00
23	26203406	THREAD GUIDE BRACKET		*		1.00
24	NS6110310SP	NUT 11/64-40		*		1.00
25	40038078	THREAD GUIDE		*		1.00
26	26216705	BOBBIN WINDER TENSION POST		*		1.00
27	22945802	THREAD TENSION DISK		*		2.00
28	26216606	BOBBIN WINDER TENSION SPRING		*		1.00
29	26216507	BOBBIN WINDER TENSION NUT		*		1.00
30	13510862	WORM ASM.				1.00
31	SS7111410TP	SCREW 11/64-40 L=14		*		4.00
32	NS6150540SP	NUT 15/64-28				1.00
33	SS2110930SP	SCREW 11/64-40 L=8.5				4.00
34	13543509	FEED PLATE HOLDER				1.00
35	40060887	CHAIN				1.00
36	13160304	S SHAPED HOOK				2.00
37	13544952	PEDAL LEVER ASM.				1.00
38	13544903	PEDAL SHAFT		*		1.00
39	WP1021016SD	WASHER		*		1.00
40	RE0900000K0	E-RING 9		*		1.00
41	13545009	PEDAL SHAFT BRACKET		*		2.00
42	SK3483200SE	WOOD SCREW D=4.8 L=32		*		4.00
43	SS6661110SP	SCREW 1/4-40 L=11		*		2.00
44	13545157	PEDAL LEVER ASM. (BELT LOOP)		*		1.00
45	13545306	FEED CAM				1.00
46	13538301	STOP-MOTION REGULATING CAM				1.00
47	13543608	FEED PLATE				1.00
48	40052815	SAFETY PLATE ASM.				1.00
49	13889407	SAFETY PLATE		*		1.00
50	SM4040655SP	SCREW M4 L=6		*		2.00

51	WP0450801SD	WASHER 4.5X10X0.8		*		2.00
52	SS4110715SP	SCREW 11/64-40 L=7		*		2.00
53	40052810	SAFETY PLATE INSTALLING BASE		*		1.00
54	13509401	TABLE (FOR BELT LOOP)				1.00
55	13522503	TENSION SPRING				1.00

LK-1850 SERIES SUBCLASS

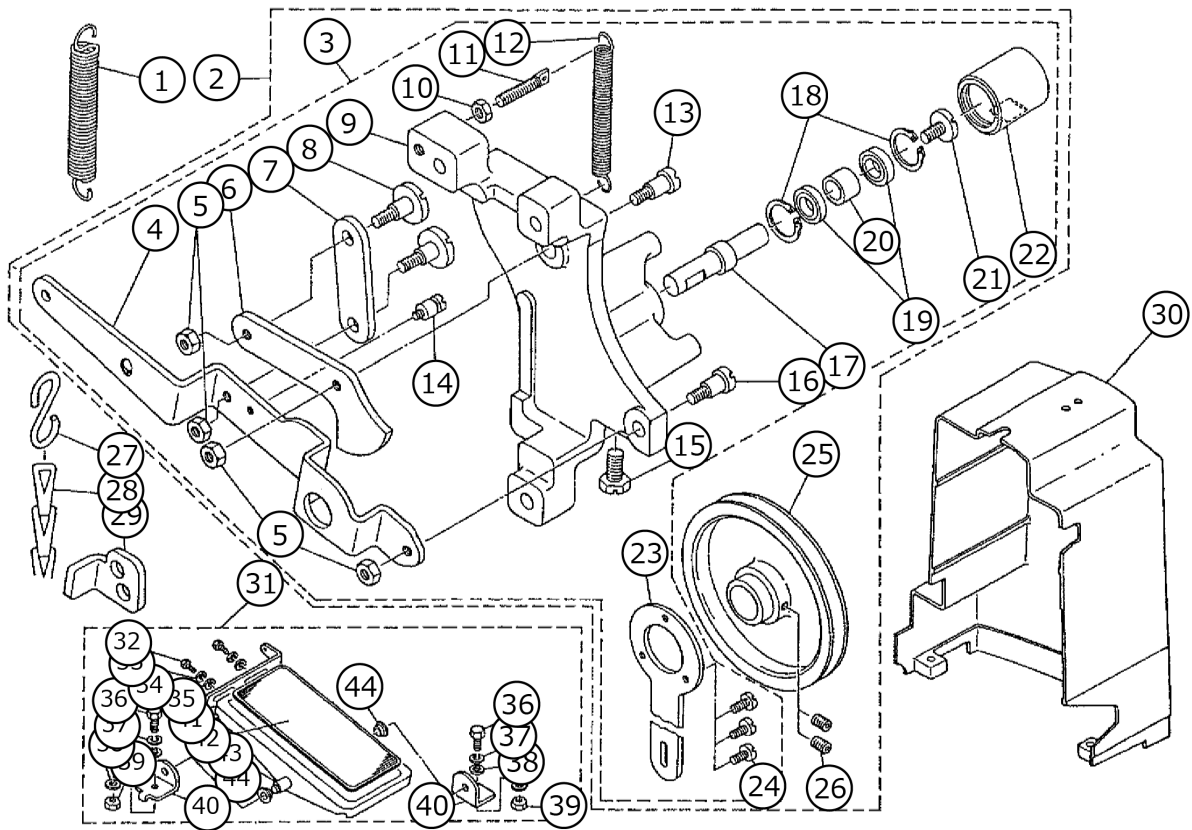
(8)LK-1852-30



No.	品番	品名	備考	子部品	消耗品	個数
1	13510953	FEED CAM DRIVING WHEEL ASM.				1.00
2	13510862	WORM ASM.				1.00
3	SS7111410TP	SCREW 11/64-40 L=14		*		4.00
4	13545611	CLOTH PRESSER FOOT				1.00
5	13551569	CLOTH FEED BASE (ASM.)				1.00
6	13545660	WORK CLAMP FOOT ASM.		*		1.00
7	40038080	THREAD GUIDE BRACKET ASM.	THE PARTS ARE THE SAME AS THOSE FOR LK-185 2-20.			1.00
8	40038078	THREAD GUIDE		*		1.00
9	13545504	FEED PLATE				1.00
10	SS2110930SP	SCREW 11/64-40 L=8.5	THE PARTS ARE THE SAME AS THOSE FOR LK-185 2-20.			4.00
11	13543509	FEED PLATE HOLDER	THE PARTS ARE THE SAME AS THOSE FOR LK-185 2-20.			1.00
12	NS6150540SP	NUT 15/64-28	THE PARTS ARE THE SAME AS THOSE FOR LK-185 2-20.			1.00
13	40052815	SAFETY PLATE ASM.				1.00
14	13509401	TABLE (FOR BELT LOOP)				1.00
15	13554100	FEED CAM				1.00
16	13554100	FEED CAM	SPECIAL ORDER PARTS			1.00
17	13538301	STOP-MOTION REGULATING CAM				1.00
18	13544952	PEDAL LEVER ASM.	THE PARTS ARE THE SAME AS THOSE FOR LK-185 2-20.			1.00
19	40060887	CHAIN	THE PARTS ARE THE SAME AS THOSE FOR LK-185 2-20.			1.00
20	13160304	S SHAPED HOOK	THE PARTS ARE THE SAME AS THOSE FOR LK-185 2-20.			2.00
21	13522503	TENSION SPRING				1.00

LK-1850 SERIES SUBCLASS

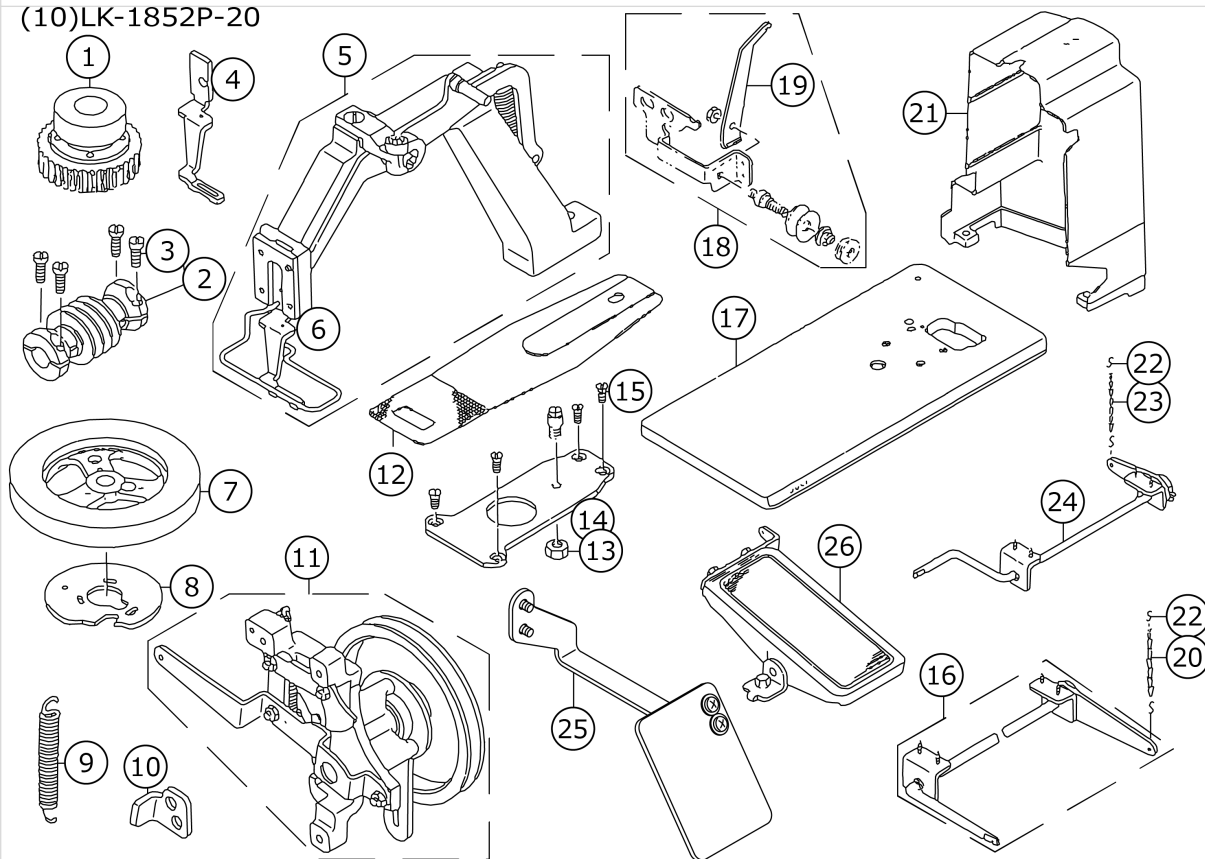
(9)LK-1850-P



No.	品番	品名	備考	子部品	消耗品	個数
1	13547500	STOP-MOTION SPRING				1.00
2	13545959	PEDAL TYPE PRESSER ASM.				1.00
3	13545967	PEDAL TYPE PRESSER ASM.		*		1.00
4	13546007	LOWERING LEVER		*		1.00
5	NS6110350SP	NUT 11/64-40		*		4.00
6	13546106	LOWERING LINK		*		1.00
7	13546205	LOWERING CONNECTING PLATE		*		1.00
8	SD0640324TP	HINGE SCREW D= 6.35 H= 3.2		*		2.00
9	13545900	INSTALLING BASE		*		1.00
10	NS6110310SP	NUT 11/64-40		*		1.00
11	B1649161000	TENSION SPRING ADJUSTING SCREW		*		1.00
12	13521307	TENSION SPRING		*		1.00
13	SD0640801TP	HINGE SCREW D= 6.35 H= 8.0		*		1.00
14	B2007372000	NIPPER BAR SPRING SCREW		*		1.00
15	SS9151210TP	SCREW 15/64-28 L=11.8		*		1.00
16	SD0640801TP	HINGE SCREW D= 6.35 H= 8.0		*		1.00
17	13546403	PULLEY SHAFT		*		1.00
18	RC1831018K0	RETAINING RING		*		2.00
19	SB109000200	BALL BEARING		*		2.00
20	13547401	PULLEY SHAFT COLLAR		*		1.00
21	SS6121030SP	SCREW 3/16-28 L=10		*		1.00
22	13546502	PULLEY BUSHING		*		1.00
23	13525308	IDLER PULLEY INSTALLING PLATE		*		1.00
24	SS6110810TP	SCREW 11/64-40 L=8		*		3.00
25	13523204	DRIVING PULLEY		*		1.00
26	SS8150822TP	SCREW 15/64-28 L=8		*		2.00
27	13160304	S SHAPED HOOK				1.00
28	26037903	CHAIN				1.00
29	13546601	SAFETY PLATE				1.00
30	13505904	BELT COVER				1.00
31	13817754	Z-STAND PEDAL ASM.	THIS PARTS IS USED FOR A MAC HINE WITH TABL E.			1.00
32	SM9061203SE	SCREW M6 L=12		*		2.00
33	WS0621210KR	SPRING WASHER 6.2X11.4X1.2		*		2.00
34	WP0671016SE	WASHER 6.7X13X1		*		2.00
35	B8125280000	PEDAL ADJUSTING PLATE		*		1.00
36	SM9082023SE	SCREW M8 L=20		*		2.00
37	WS0861410KR	SPRING WASHER 8.6X15X1.4		*		2.00
38	WP0871602SE	WASHER 8.7X18X1.6		*		4.00
39	NM6080721SE	NUT M8		*		2.00
40	D8114555B0E	PEDAL SHAFT BRACKET		*		1.00
41	B8151771000	PEDAL		*		1.00
42	B8152771000	PEDAL MAT		*		1.00
43	B8153771000	PEDAL CONNECTING ROD		*		1.00
44	D8113555B00	PEDAL BUSHING		*		2.00

LK-1850 SERIES SUBCLASS

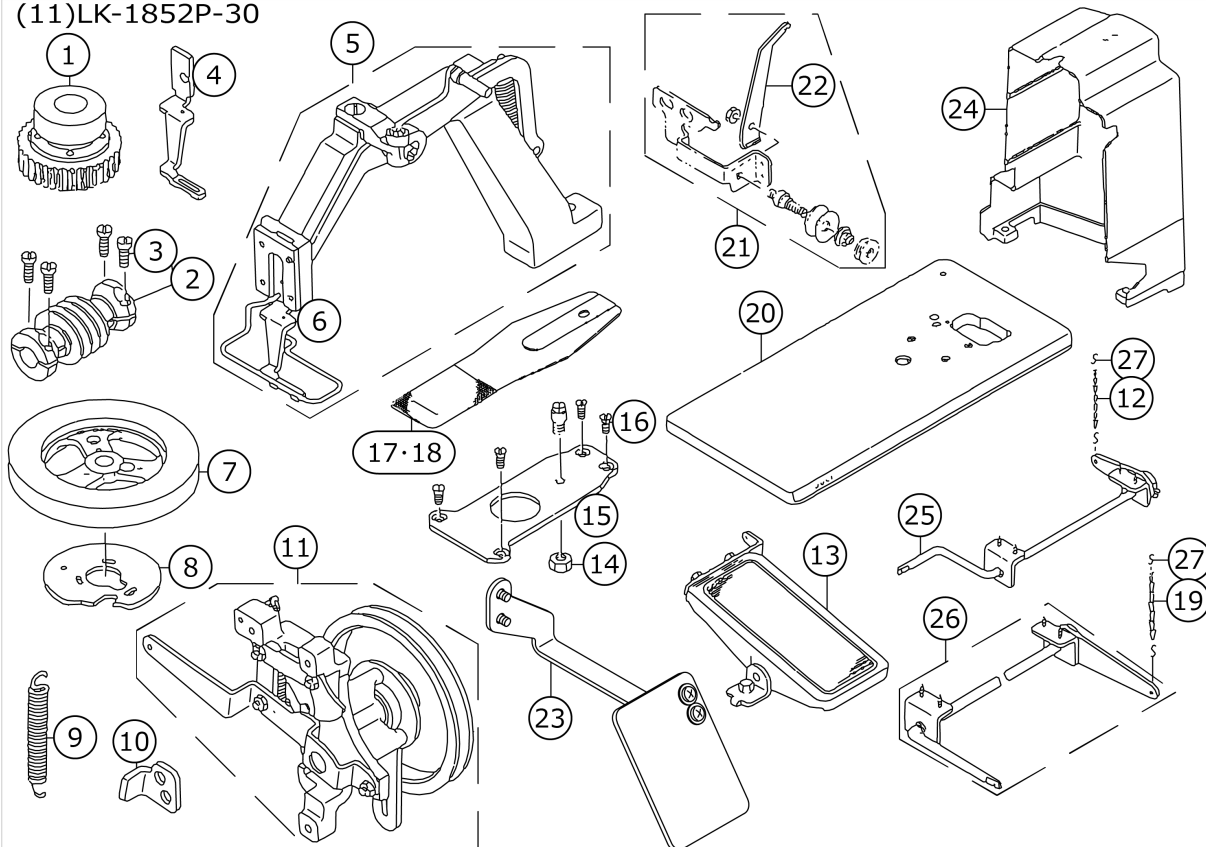
(10)LK-1852P-20



No.	品番	品名	備考	子部品	消耗品	個数
1	13510953	FEED CAM DRIVING WHEEL ASM.				1.00
2	13510862	WORM ASM.				1.00
3	SS7111410TP	SCREW 11/64-40 L=14		*		4.00
4	13544416	CLOTH PRESSER FOOT				1.00
5	13543764	CLOTH FEED BASE ASM.				1.00
6	13544465	CLOTH PRESSER FOOT ASM.		*		1.00
7	13545306	FEED CAM				1.00
8	13538301	STOP-MOTION REGULATING CAM				1.00
9	13547500	STOP-MOTION SPRING	THE PARTS ARE THE SAME AS TH OSE FOR LK-185 0-P.			1.00
10	13546601	SAFETY PLATE	THE PARTS ARE THE SAME AS TH OSE FOR LK-185 0-P.			1.00
11	13545959	PEDAL TYPE PRESSER ASM.	THE PARTS ARE THE SAME AS TH OSE FOR LK-185 0-P.			1.00
12	13543608	FEED PLATE				1.00
13	NS6150540SP	NUT 15/64-28				1.00
14	13543509	FEED PLATE HOLDER				1.00
15	SS2110930SP	SCREW 11/64-40 L=8.5				4.00
16	13547658	PEDAL SHAFT ASM.				1.00
17	13509401	TABLE (FOR BELT LOOP)				1.00
18	40038080	THREAD GUIDE BRACKET ASM.				1.00
19	40038078	THREAD GUIDE		*		1.00
20	D8103984K00	CHAIN				1.00
21	13505904	BELT COVER				1.00
22	13160304	S SHAPED HOOK				4.00
23	40060887	CHAIN				1.00
24	13544952	PEDAL LEVER ASM.				1.00
25	40052815	SAFETY PLATE ASM.				1.00
26	13817754	Z-STAND PEDAL ASM.				1.00

LK-1850 SERIES SUBCLASS

(11)LK-1852P-30

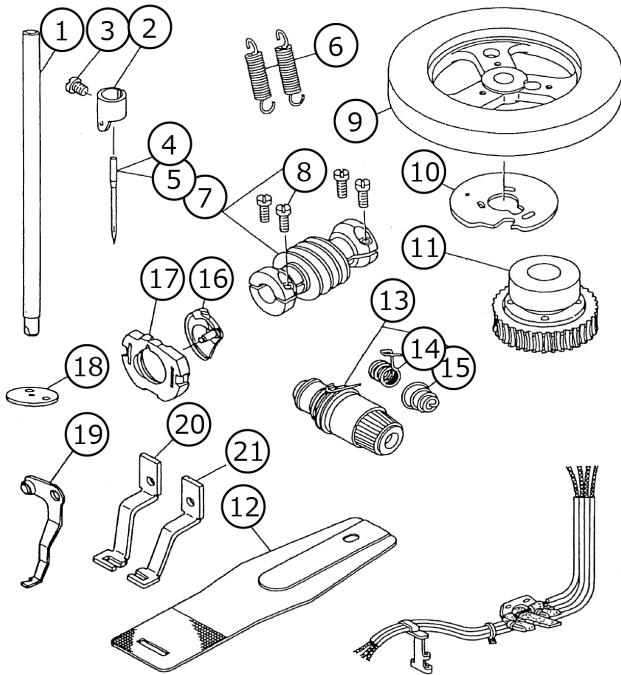


No.	品番	品名	備考	子部品	消耗品	個数
1	13510953	FEED CAM DRIVING WHEEL ASM.				1.00
2	13510862	WORM ASM.				1.00
3	SS7111410TP	SCREW 11/64-40 L=14		*		4.00
4	13545611	CLOTH PRESSER FOOT				1.00
5	13551569	CLOTH FEED BASE (ASM.)				1.00
6	13545660	WORK CLAMP FOOT ASM.		*		1.00
7	13554100	FEED CAM				1.00
8	13538301	STOP-MOTION REGULATING CAM				1.00
9	13547500	STOP-MOTION SPRING	THE PARTS ARE THE SAME AS THOSE FOR LK-185 0-P.			1.00
10	13546601	SAFETY PLATE	THE PARTS ARE THE SAME AS THOSE FOR LK-185 0-P.			1.00
11	13545959	PEDAL TYPE PRESSER ASM.	THE PARTS ARE THE SAME AS THOSE FOR LK-185 0-P.			1.00
12	40060887	CHAIN	THE PARTS ARE THE SAME AS THOSE FOR LK-185 2P-20.			1.00
13	13817754	Z-STAND PEDAL ASM.				1.00
14	NS6150540SP	NUT 15/64-28	THE PARTS ARE THE SAME AS THOSE FOR LK-185 2P-20.			1.00
15	13543509	FEED PLATE HOLDER	THE PARTS ARE THE SAME AS THOSE FOR LK-185 2P-20.			1.00
16	SS2110930SP	SCREW 11/64-40 L=8.5	THE PARTS ARE THE SAME AS THOSE FOR LK-185 2P-20.			4.00
17	13545504	FEED PLATE				1.00
18	13545504	FEED PLATE	FOR HEAVY WEIGHT MATERIAL(SPECIAL ORDER)			1.00
19	D8103984K00	CHAIN	THE PARTS ARE THE SAME AS THOSE FOR LK-185 2P-20.			1.00
20	13509401	TABLE (FOR BELT LOOP)				1.00
21	40038080	THREAD GUIDE BRACKET ASM.	THE PARTS ARE THE SAME AS THOSE FOR LK-185 2P-20.			1.00

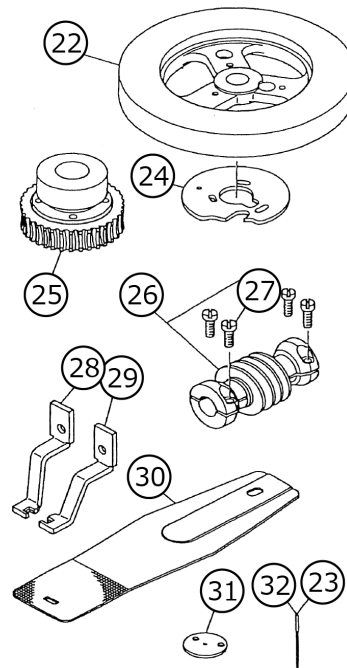
22	40038078	THREAD GUIDE		*		1.00
23	40052815	SAFETY PLATE ASM.				1.00
24	13505904	BELT COVER				1.00
25	13544952	PEDAL LEVER ASM.	THE PARTS ARE THE SAME AS THOSE FOR LK-185 2P-20.			1.00
26	13547658	PEDAL SHAFT ASM.	THE PARTS ARE THE SAME AS THOSE FOR LK-185 2P-20.			1.00
27	13160304	S SHAPED HOOK	THE PARTS ARE THE SAME AS THOSE FOR LK-185 2P-20.			4.00

LK-1850 SERIES SUBCLASS

(12)LK-1852H-5



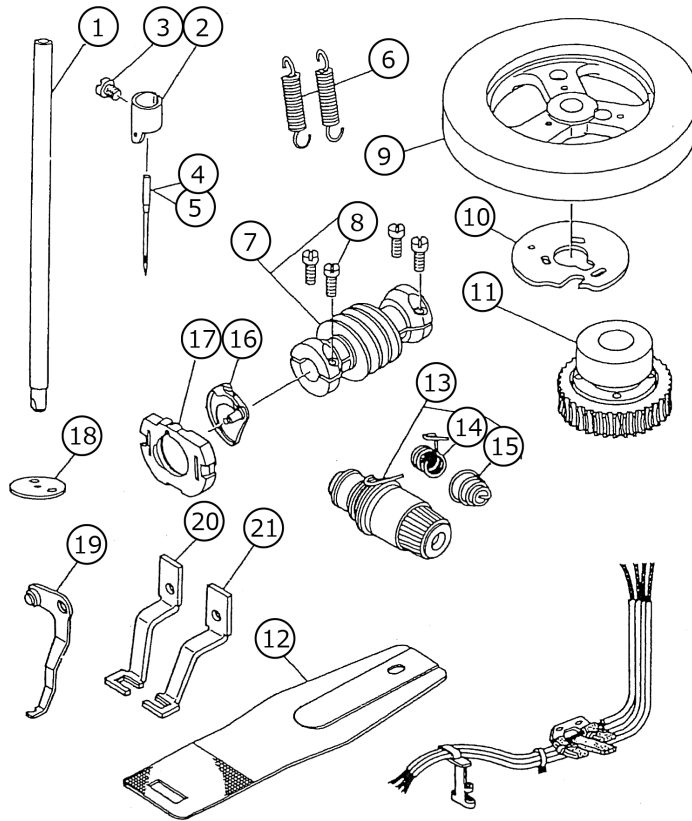
(13)LK-1852-22



No.	品番	品名	備考	子部品	消耗品	個数
1	D1401L7VV00	NEEDLE BAR				1.00
2	D1405L7AM00	NEEDLE BAR THREAD GUIDE				1.00
3	SS7080510TP	SCREW 1/8-44 L=4.5				1.00
4	MDI300B2300	NEEDLE DIX3 #23				1.00
5	MC351501600	NEEDLE	FOR JE			1.00
6	13519004	TENSION SPRING				2.00
7	13510854	FEED CAM DRIVING WORM ASM.				1.00
8	SS7111410TP	SCREW 11/64-40 L=14		*		4.00
9	13550702	FEED CAM				1.00
10	13539705	STOP-MOTION REGULATING CAM				1.00
11	13510953	FEED CAM DRIVING WHEEL ASM.				1.00
12	13548409	FEED PLATE				1.00
13	B23022050A0	TENSION CONTROLLER NO.2 ASM.				1.00
14	D3112L4BB00	TAKE-UP SPRING (HEAVY)		*		1.00
15	B3129053000	TENSION SPRING		*		1.00
16	D1818282N00	SHUTTLE				1.00
17	D1817282N00	SHUTTLE RACE RING, THICK NEEDLE				1.00
18	B242628000C	NEEDLE PLATE NEEDLE HOLE GUIDE				1.00
19	D2101L7AMA0	WIPER ASM.				1.00
20	13548508	WORK CLAMP FOOT. RIGHT				1.00
21	13548607	WORK CLAMP FOOT. LEFT				1.00
22	13550504	FEED CAM				1.00
23	MC200500750	NEEDLE 134 NM75	FOR JE			1.00
24	13539002	STOP-MOTION REGULATING CAM				1.00
25	13510953	FEED CAM DRIVING WHEEL ASM.				1.00
26	13510854	FEED CAM DRIVING WORM ASM.				1.00
27	SS7111410TP	SCREW 11/64-40 L=14		*		4.00
28	13542907	WORK CLAMP FOOT, RIGHT				1.00
29	13543004	WORK CLAMP FOOT, LEFT				1.00
30	13542808	FEED PLATE				1.00
31	D2426282C00	NEEDLE HOLE GUIDE				1.00
32	MDP500B1100	NEEDLE DPX5 #11				1.00

LK-1850 SERIES SUBCLASS

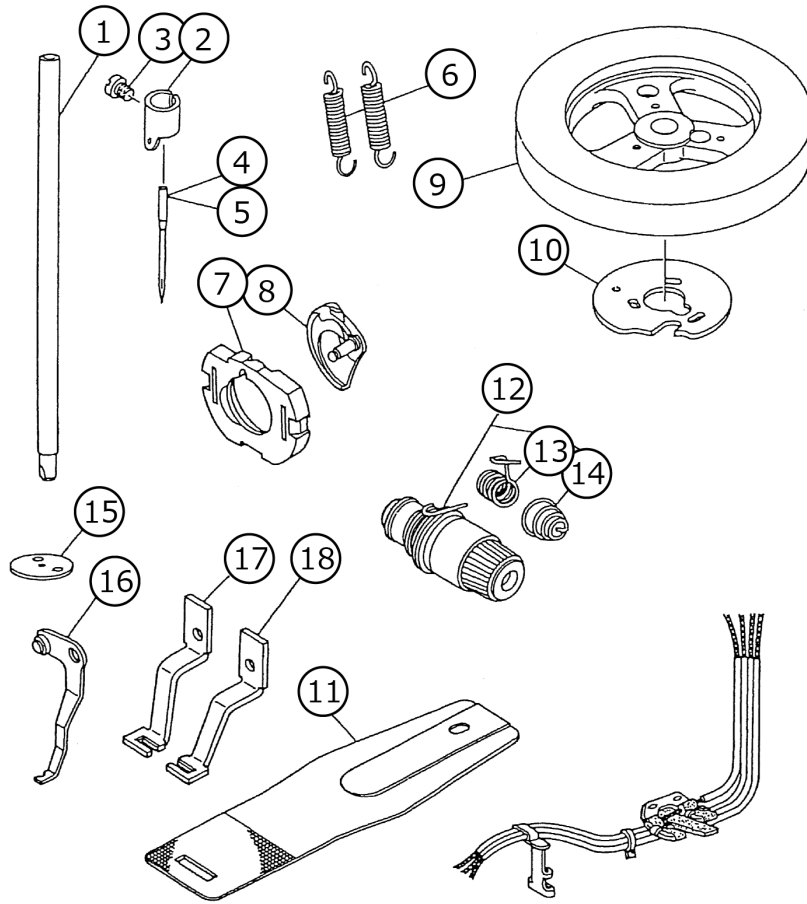
(14)LK-1852G-5



No.	品番	品名	備考	子部品	消耗品	個数
1	D1401L7VV00	NEEDLE BAR				1.00
2	D1405L7AM00	NEEDLE BAR THREAD GUIDE				1.00
3	SS7080510TP	SCREW 1/8-44 L=4.5				1.00
4	MDI300B2300	NEEDLE DIX3 #23				1.00
5	MC351501600	NEEDLE	FOR JE			1.00
6	13519004	TENSION SPRING				2.00
7	13510854	FEED CAM DRIVING WORM ASM.				1.00
8	SS7111410TP	SCREW 11/64-40 L=14		*		4.00
9	13550702	FEED CAM				1.00
10	13539705	STOP-MOTION REGULATING CAM				1.00
11	13510953	FEED CAM DRIVING WHEEL ASM.				1.00
12	13554209	FEED PLATE				1.00
13	B23022050A0	TENSION CONTROLLER NO.2 ASM.				1.00
14	D3112L4BB00	TAKE-UP SPRING (HEAVY)		*		1.00
15	B3129053000	TENSION SPRING		*		1.00
16	D1818282N00	SHUTTLE				1.00
17	D1817282N00	SHUTTLE RACE RING, THICK NEEDLE				1.00
18	D2426MMCK00	NEEDLE HOLE GUIDE				1.00
19	D2101L7AMA0	WIPER ASM.				1.00
20	13554308	WORK CLAMP FOOT. RIGHT				1.00
21	13554407	WORK CLAMP FOOT. LEFT				1.00

LK-1850 SERIES SUBCLASS

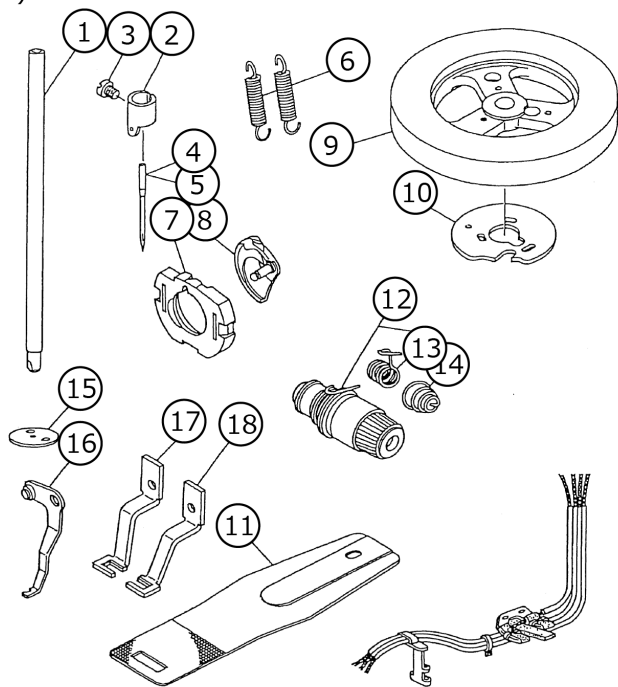
(15)LK-1850H



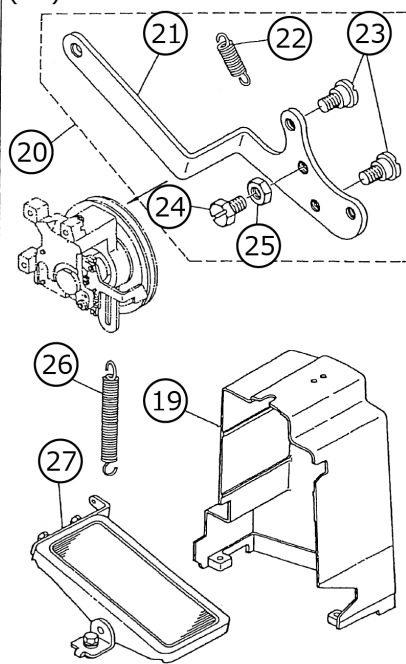
No.	品番	品名	備考	子部品	消耗品	個数
1	D1401L7VV00	NEEDLE BAR				1.00
2	D1405L7AM00	NEEDLE BAR THREAD GUIDE				1.00
3	SS7080510TP	SCREW 1/8-44 L=4.5				1.00
4	MDI300B2300	NEEDLE DIX3 #23				1.00
5	MC351501600	NEEDLE	FOR JE			1.00
6	13519004	TENSION SPRING				2.00
7	D1817282N00	SHUTTLE RACE RING, THICK NEEDLE				1.00
8	D1818282N00	SHUTTLE				1.00
9	13551403	FEED CAM				1.00
10	13539606	STOP-MOTION REGULATING CAM				1.00
11	13548409	FEED PLATE				1.00
12	B23022050A0	TENSION CONTROLLER NO.2 ASM.				1.00
13	D3112L4BB00	TAKE-UP SPRING (HEAVY)		*		1.00
14	B3129053000	TENSION SPRING		*		1.00
15	B242628000C	NEEDLE PLATE NEEDLE HOLE GUIDE				1.00
16	D2101L7AMA0	WIPER ASM.				1.00
17	13548508	WORK CLAMP FOOT. RIGHT				1.00
18	13548607	WORK CLAMP FOOT. LEFT				1.00

LK-1850 SERIES SUBCLASS

(16)LK-1850G

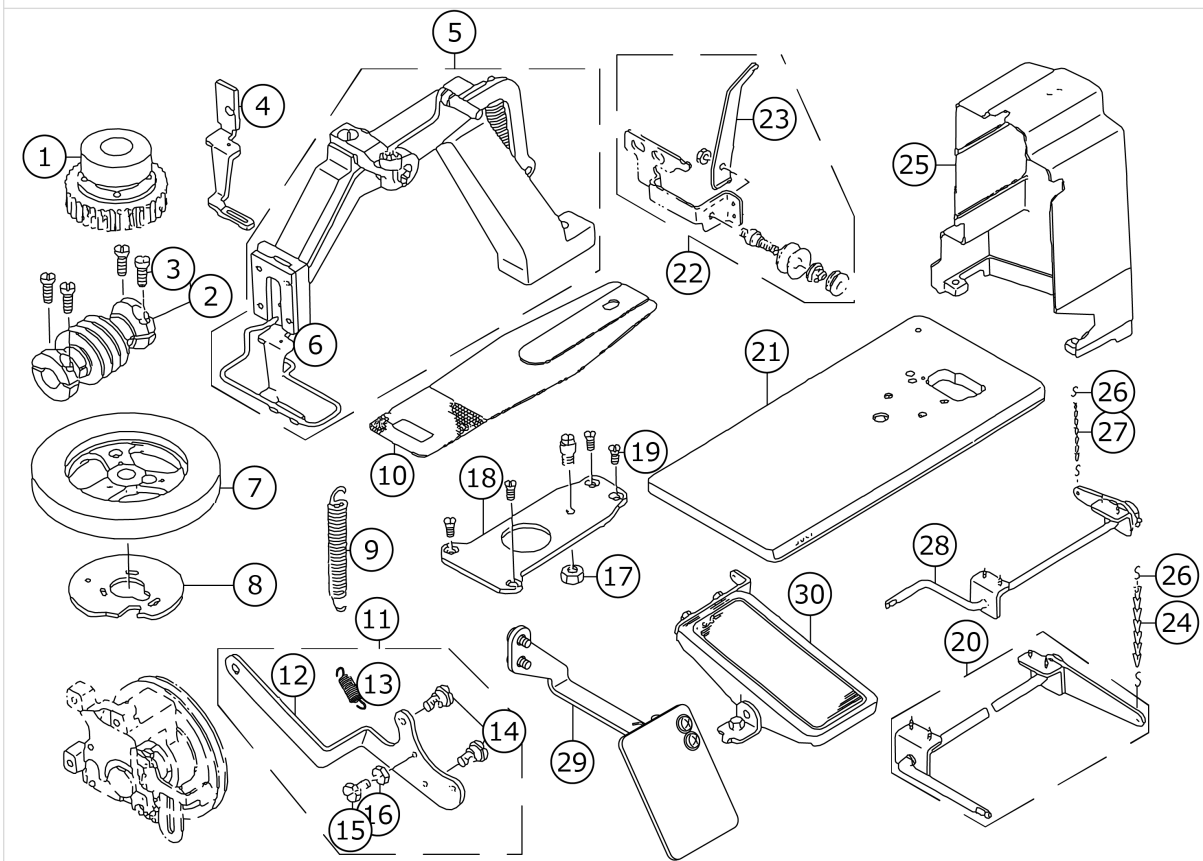


(17)LK-1850T



No.	品番	品名	備考	子部品	消耗品	個数
1	D1401L7VV00	NEEDLE BAR				1.00
2	D1405L7AM00	NEEDLE BAR THREAD GUIDE				1.00
3	SS7080510TP	SCREW 1/8-44 L=4.5				1.00
4	MDI300B2300	NEEDLE DIX3 #23				1.00
5	MC351501600	NEEDLE	FOR JE			1.00
6	13519004	TENSION SPRING				2.00
7	D1817282N00	SHUTTLE RACE RING, THICK NEEDLE				1.00
8	D1818282N00	SHUTTLE				1.00
9	13551403	FEED CAM				1.00
10	13539606	STOP-MOTION REGULATING CAM				1.00
11	13554209	FEED PLATE				1.00
12	B23022050A0	TENSION CONTROLLER NO.2 ASM.				1.00
13	D3112L4BB00	TAKE-UP SPRING (HEAVY)		*		1.00
14	B3129053000	TENSION SPRING		*		1.00
15	D2426MMCK00	NEEDLE HOLE GUIDE				1.00
16	D2101L7AMA0	WIPER ASM.				1.00
17	13554308	WORK CLAMP FOOT. RIGHT				1.00
18	13554407	WORK CLAMP FOOT. LEFT				1.00
19	13505904	BELT COVER				1.00
20	13526058	LIFTING LEVER ASM. T				1.00
21	13526009	LIFTING LEVER. T		*		1.00
22	13525803	LEVER SPRING. T		*		1.00
23	SD0720331SP	HINGE SCREW D= 7.24 H= 3.3		*		2.00
24	SS9150730SP	SCREW 15/64-28 L=7		*		1.00
25	NS6150350SP	NUT 15/64-28		*		1.00
26	13547500	STOP-MOTION SPRING				1.00
27	13817754	Z-STAND PEDAL ASM.				1.00

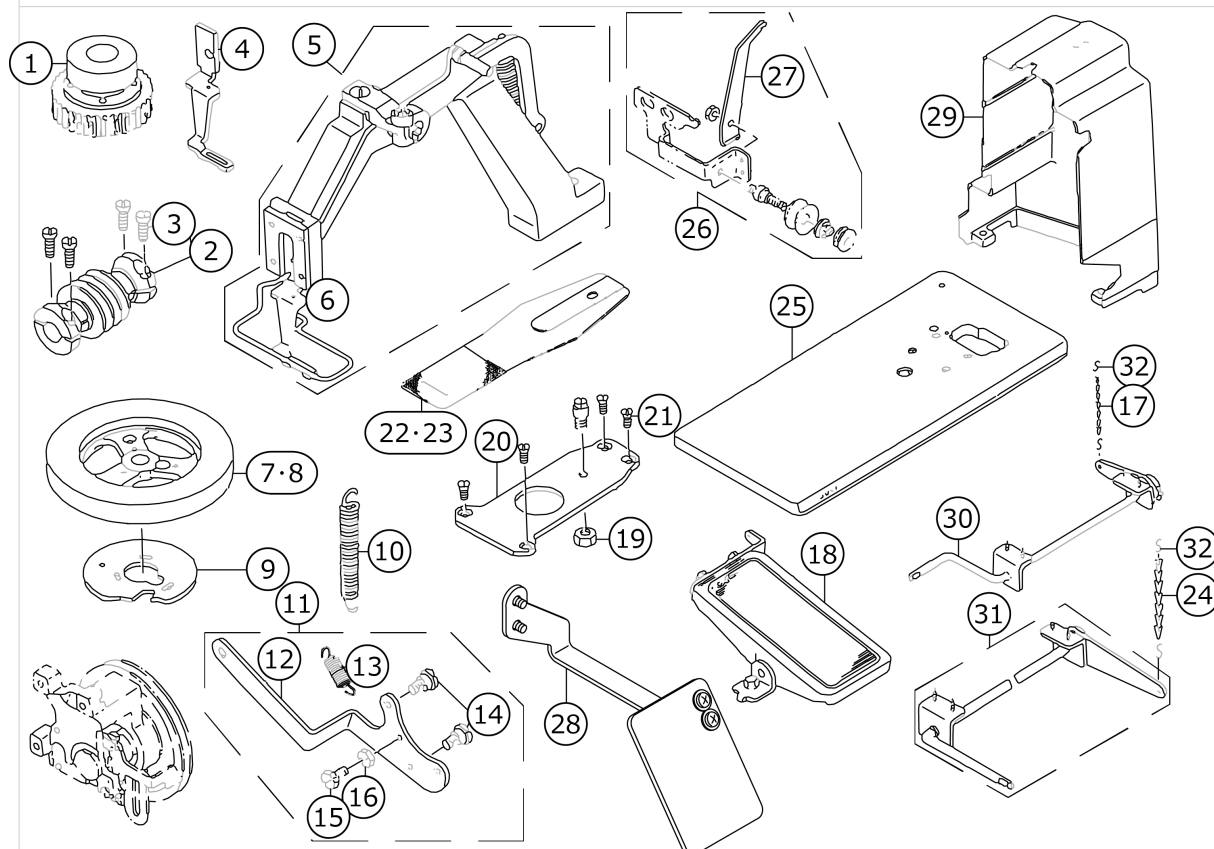
LK-1850 SERIES SUBCLASS



No.	品番	品名	備考	子部品	消耗品	個数
1	13510953	FEED CAM DRIVING WHEEL ASM.				1.00
2	13510854	FEED CAM DRIVING WORM ASM.				1.00
3	SS7111410TP	SCREW 11/64-40 L=14		*		4.00
4	13544416	CLOTH PRESSER FOOT	THE PARTS ARE THE SAME AS THOSE FOR LK-185 2T-20.			1.00
5	13543764	CLOTH FEED BASE ASM.	THE PARTS ARE THE SAME AS THOSE FOR LK-185 2T-20.			1.00
6	13544465	CLOTH PRESSER FOOT ASM.		*		1.00
7	13545306	FEED CAM				1.00
8	13538301	STOP-MOTION REGULATING CAM				1.00
9	13547500	STOP-MOTION SPRING	THE PARTS ARE THE SAME AS THOSE FOR LK-185 0-T.			1.00
10	13543608	FEED PLATE	THE PARTS ARE THE SAME AS THOSE FOR LK-185 2T-20.			1.00
11	13526058	LIFTING LEVER ASM. T	THE PARTS ARE THE SAME AS THOSE FOR LK-185 0-T.			1.00
12	13526009	LIFTING LEVER. T		*		1.00
13	13525803	LEVER SPRING. T		*		1.00
14	SD0720331SP	HINGE SCREW D= 7.24 H= 3.3		*		2.00
15	SS9150730SP	SCREW 15/64-28 L=7		*		1.00
16	NS6150350SP	NUT 15/64-28		*		1.00
17	NS6150540SP	NUT 15/64-28	THE PARTS ARE THE SAME AS THOSE FOR LK-185 2T-20.			1.00
18	13543509	FEED PLATE HOLDER	THE PARTS ARE THE SAME AS THOSE FOR LK-185 2T-20.			1.00
19	SS2110930SP	SCREW 11/64-40 L=8.5	THE PARTS ARE THE SAME AS THOSE FOR LK-185 2T-20.			4.00
20	13547658	PEDAL SHAFT ASM.	THE PARTS ARE THE SAME AS THOSE FOR LK-185 2T-20.			1.00
21	13509401	TABLE (FOR BELT LOOP)				1.00
22	40038080	THREAD GUIDE BRACKET ASM.	THE PARTS ARE THE SAME AS THOSE FOR LK-185 2T-20.			1.00

23	40038078	THREAD GUIDE		*		1.00
24	D8103984K00	CHAIN	THE PARTS ARE THE SAME AS THOSE FOR LK-185 2T-20.			1.00
25	13505904	BELT COVER				1.00
26	13160304	S SHAPED HOOK	THE PARTS ARE THE SAME AS THOSE FOR LK-185 2T-20.			8.00
27	40060887	CHAIN	THE PARTS ARE THE SAME AS THOSE FOR LK-185 2T-20.			1.00
28	13544952	PEDAL LEVER ASM.	THE PARTS ARE THE SAME AS THOSE FOR LK-185 2T-20.			1.00
29	40052815	SAFETY PLATE ASM.				1.00
30	13817754	Z-STAND PEDAL ASM.				1.00

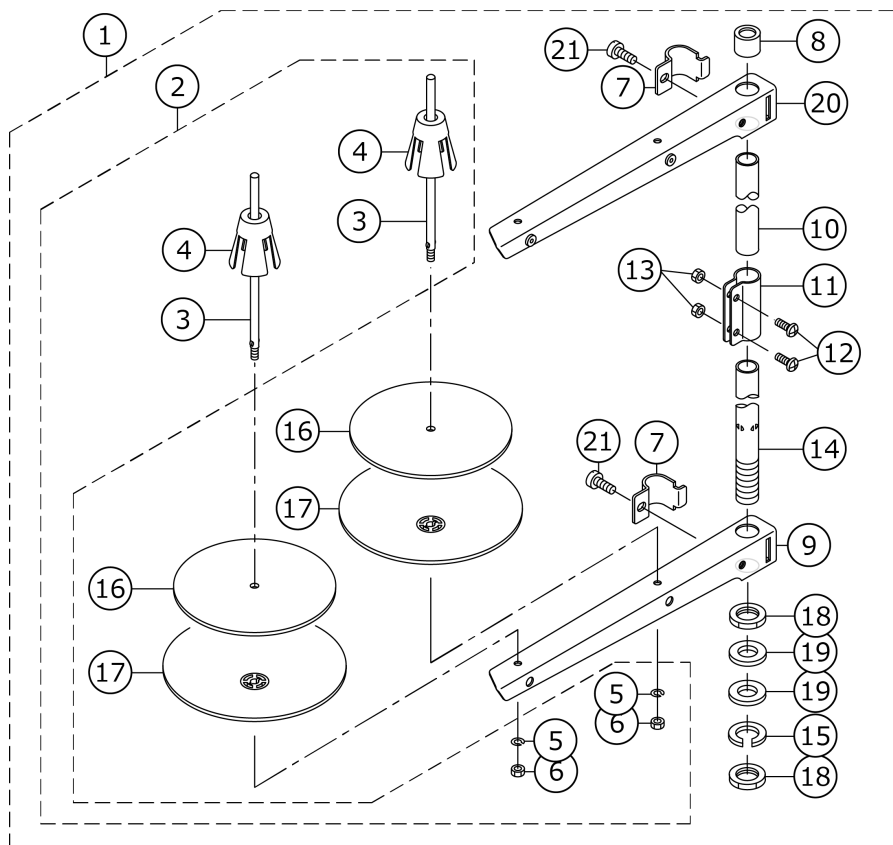
LK-1850 SERIES SUBCLASS



No.	品番	品名	備考	子部品	消耗品	個数
1	13510953	FEED CAM DRIVING WHEEL ASM.				1.00
2	13510854	FEED CAM DRIVING WORM ASM.				1.00
3	SS7111410TP	SCREW 11/64-40 L=14		*		4.00
4	13545611	CLOTH PRESSER FOOT				1.00
5	13551569	CLOTH FEED BASE (ASM.)				1.00
6	13545660	WORK CLAMP FOOT ASM.		*		1.00
7	13554100	FEED CAM				1.00
8	13554100	FEED CAM	SPECIAL ORDER PARTS			1.00
9	13538301	STOP-MOTION REGULATING CAM				1.00
10	13547500	STOP-MOTION SPRING	THE PARTS ARE THE SAME AS THOSE FOR LK-185 0-T.			1.00
11	13526058	LIFTING LEVER ASM. T	THE PARTS ARE THE SAME AS THOSE FOR LK-185 0-T.			1.00
12	13526009	LIFTING LEVER. T		*		1.00
13	13525803	LEVER SPRING. T		*		1.00
14	SD0720331SP	HINGE SCREW D= 7.24 H= 3.3		*		2.00
15	SS9150730SP	SCREW 15/64-28 L=7		*		1.00
16	NS6150350SP	NUT 15/64-28		*		1.00
17	40060887	CHAIN	THE PARTS ARE THE SAME AS THOSE FOR LK-185 2T-20.			1.00
18	13817754	Z-STAND PEDAL ASM.				1.00
19	NS6150540SP	NUT 15/64-28	THE PARTS ARE THE SAME AS THOSE FOR LK-185 2T-20.			1.00
20	13543509	FEED PLATE HOLDER	THE PARTS ARE THE SAME AS THOSE FOR LK-185 2T-20.			1.00
21	SS2110930SP	SCREW 11/64-40 L=8.5	THE PARTS ARE THE SAME AS THOSE FOR LK-185 2T-20.			4.00
22	13545801	FEED PLATE				1.00
23	13545504	FEED PLATE	FOR HEAVY WEIGHT MATERIAL(SPECIAL ORDER)			1.00
24	D8103984K00	CHAIN	THE PARTS ARE THE SAME AS THOSE FOR LK-185 2T-20.			1.00
25	13509401	TABLE (FOR BELT LOOP)				1.00
26	40038080	THREAD GUIDE BRACKET ASM.	THE PARTS ARE THE SAME AS THOSE FOR LK-185 2T-20.			1.00

27	40038078	THREAD GUIDE		*		1.00
28	40052815	SAFETY PLATE ASM.				1.00
29	13505904	BELT COVER				1.00
30	13544952	PEDAL LEVER ASM.	THE PARTS ARE THE SAME AS THOSE FOR LK-185 2T-20.			1.00
31	13547658	PEDAL SHAFT ASM.	THE PARTS ARE THE SAME AS THOSE FOR LK-185 2T-20.			1.00
32	13160304	S SHAPED HOOK	THE PARTS ARE THE SAME AS THOSE FOR LK-185 2T-20.			8.00

THREAD STAND COMPONENTS



No.	品番	品名	備考	子部品	消耗品	個数
1	22930358	THREAD STAND ASM.				1.00
2	40062684	SPOOL PIN ASM.		*		1.00
3	22931000	SPOOL PIN		*		2.00
4	22931109	SPOOL RETAINER		*		2.00
5	WS0510002KN	SPRING WASHER		*		2.00
6	NM6050001SE	NUT M5		*		2.00
7	22930705	THREAD GUIDE ARM JOINT		*		2.00
8	22931406	SPOOL REST ROD RUBBER CAP		*		1.00
9	22930507	SPOOL REST ARM		*		1.00
10	22930408	SPOOL REST ROD, UPPER		*		1.00
11	22931307	SPOOL REST ROD JOINT		*		1.00
12	SM4051405SE	SCREW M5 L=14		*		2.00
13	NM6050001SE	NUT M5		*		2.00
14	22930309	SPOOL REST ROD, LOWER		*		1.00
15	WS1643202KR	SPRING WASHER		*		1.00
16	22930903	SPOOL REST CUSHION		*		2.00
17	22930804	SPOOL REST		*		2.00
18	NM6160511SE	NUT M16X1.5		*		2.00
19	WP1612616SE	WASHER 16X30X2.6		*		2.00
20	22930556	THREAD STANDING ARM ASM.		*		1.00
21	SM6061610SC	SCREW M6 L=16		*		2.00

HOW TO MAKE USE OF THIS PARTS LIST

1.Explanation of codes

1)"*"mark.....means this part is changed from the previous parts book.

As to the details of the change, refer to the "List for information of change".

2)"#01".....refer to "Note" explanation at bottom of page.

2.Codes on the "Qty" column

· Each numeral indicates the number of parts required.

· "0.1" and "2.5" indicate the length (in meters) of the respective parts.

3.Parentheses mean that the corresponding part is a subpart that constructs an assembly part.

4.Dotted lines on the Figures indicate assembly parts.

1."注記"欄の記号説明

1) "*"印.....前回のパーツブックに比較して今回変更された部品を意味します。

変更内容は、"変更情報リスト"を参照してください。

2) "#01".....ページ下の"注記"の説明を参照してください。

2.数量欄の数字は、個数を表し、0.1、2.5等の数値は、長さ（単位メートル）を表します。

3.数量欄の（ ）は、組部品を構成している子部品であることを意味します。

4.イラストページの-----枠は、組構成であることを意味します。